



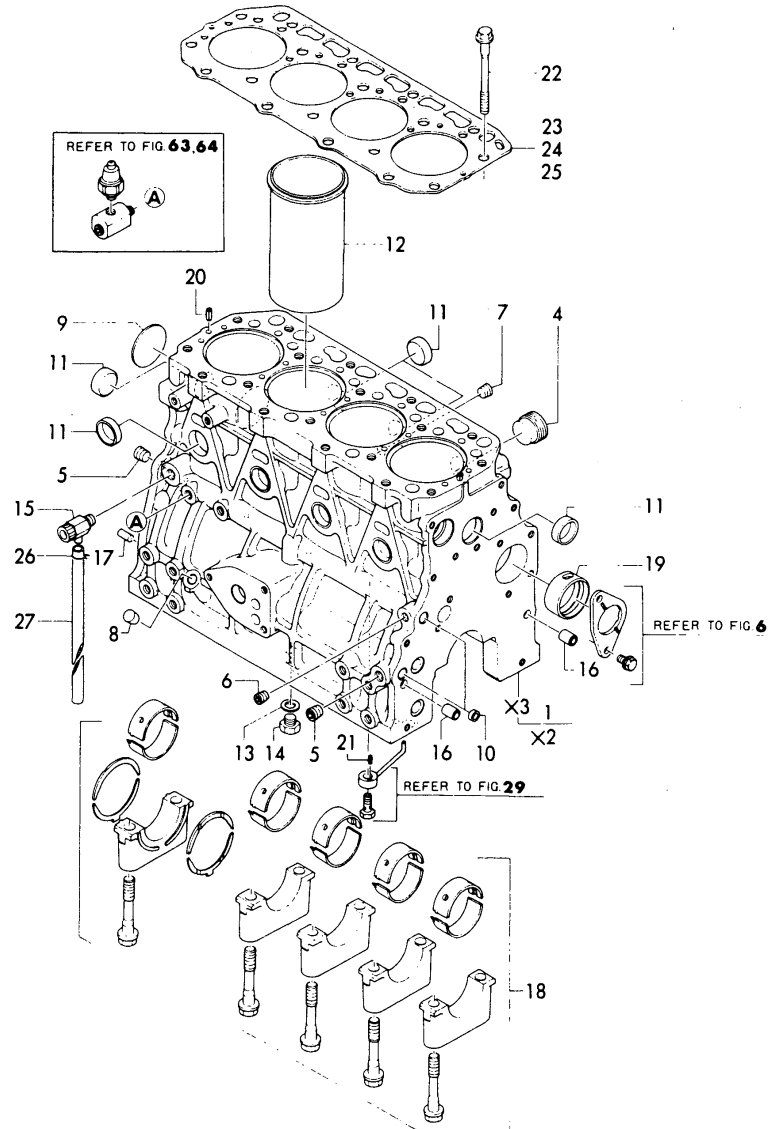
Spare parts catalog- Yanmar engines

(A) = 4JH-DTE

Fig.1.CYLINDER BLOCK

(A)=4JH-DTE
(B)=
(C)=
(D)=
(E)=
(F)=

Fig. 1 シリンダブロック
CYLINDER BLOCK

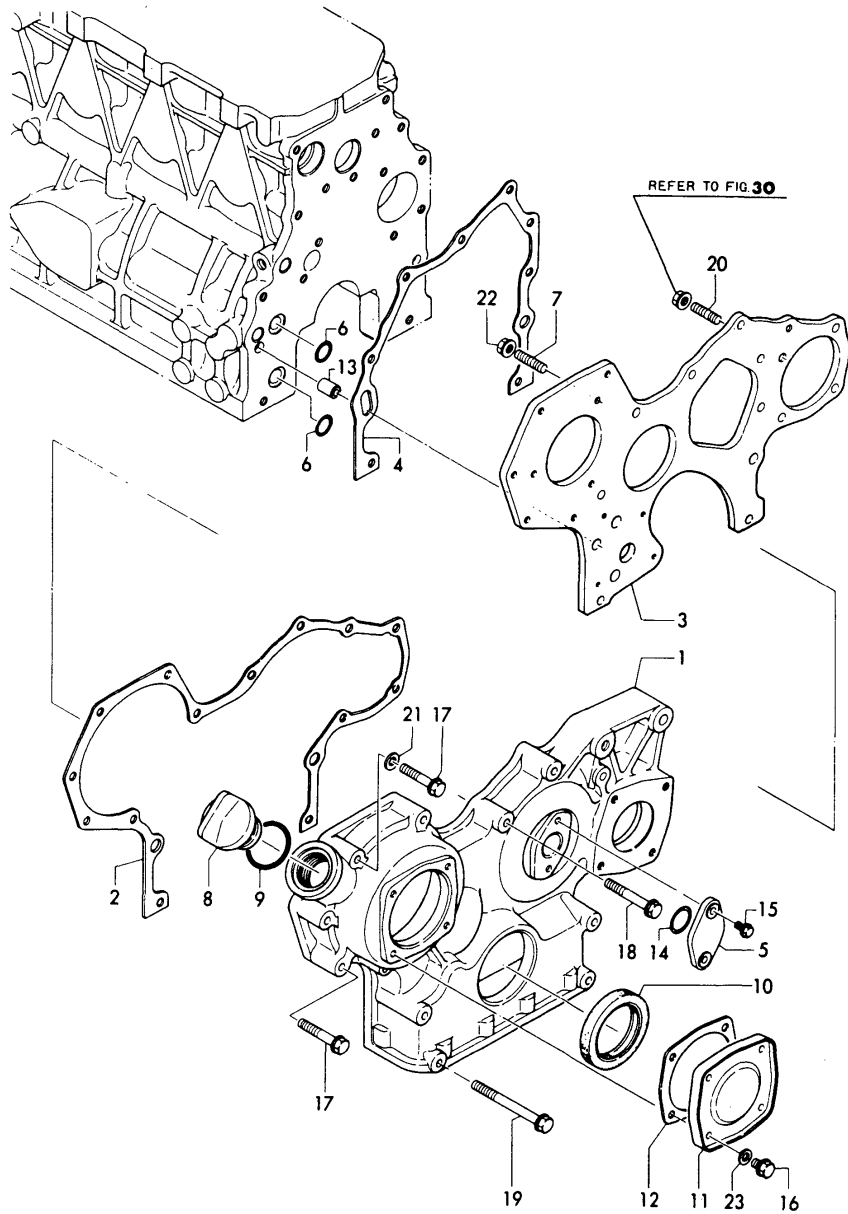


REF.	LEV.	PARTS NO.	DESCRIPTION	QTY						I	R	
				(A)	(B)	(C)	(D)	(E)	(F)			
1	1	729472-01560	BLOCK ASSY.,CYLINDER	1								
4	3	171051-01921	PLUG NPTF 1	1								
5	3	124160-01910	PLUG PT1/4	2								
6	3	23871-010000	PLUG PT1/8	1								
7	3	23871-030000	PLUG PT3/8	1								
8	3	27225-100140	PLUG 10X14	1								
9	3	27231-500000	PLUG 50	1								
10	3	27241-120000	PLUG 12	2								
11	3	27241-300000	PLUG 30	8								
12	2	129472-01100	LINER,CYLINDER	4								
13	2	23414-120000	GASKET 12	1								
14	2	23887-120002	PLUG M12	1								
15	2	128371-01800	COCK W/VALVE	1								
16	2	*REF. 2=13	KNOCK,PIPE	2								
17	2	*REF. 3= 5	PARALLEL PIN 8X16	2								
18	2	*REF. 5	MAIN BEARING	1								
19	2	*REF. 6= 1	BUSH A	1								
20	2	*REF.11=41	SPRING PIN 6X12	2								
21	2	*REF.29= 3	SPRING PIN 3X10	4								
22	1	129150-01200	BOLT,CYL.HEAD	18								
23	1	129553-01350	GASKET,CYL.HEAD T1.4	1								A
24	1	129553-01340	GASKET,CYL.HEAD T1.3	1								B
25	1	129491-01360	GASKET,CYL.HEAD T1.5	1								B
26	1	124460-77680	CLAMP	1								
27	1	23061-070300	PIPE 7X300	1								

Remarks
A)STANDARD
B)ADJUSTMENT

Fig.2.GEARS HOUSING

Fig. 2 ギヤケース
GEARS HOUSING



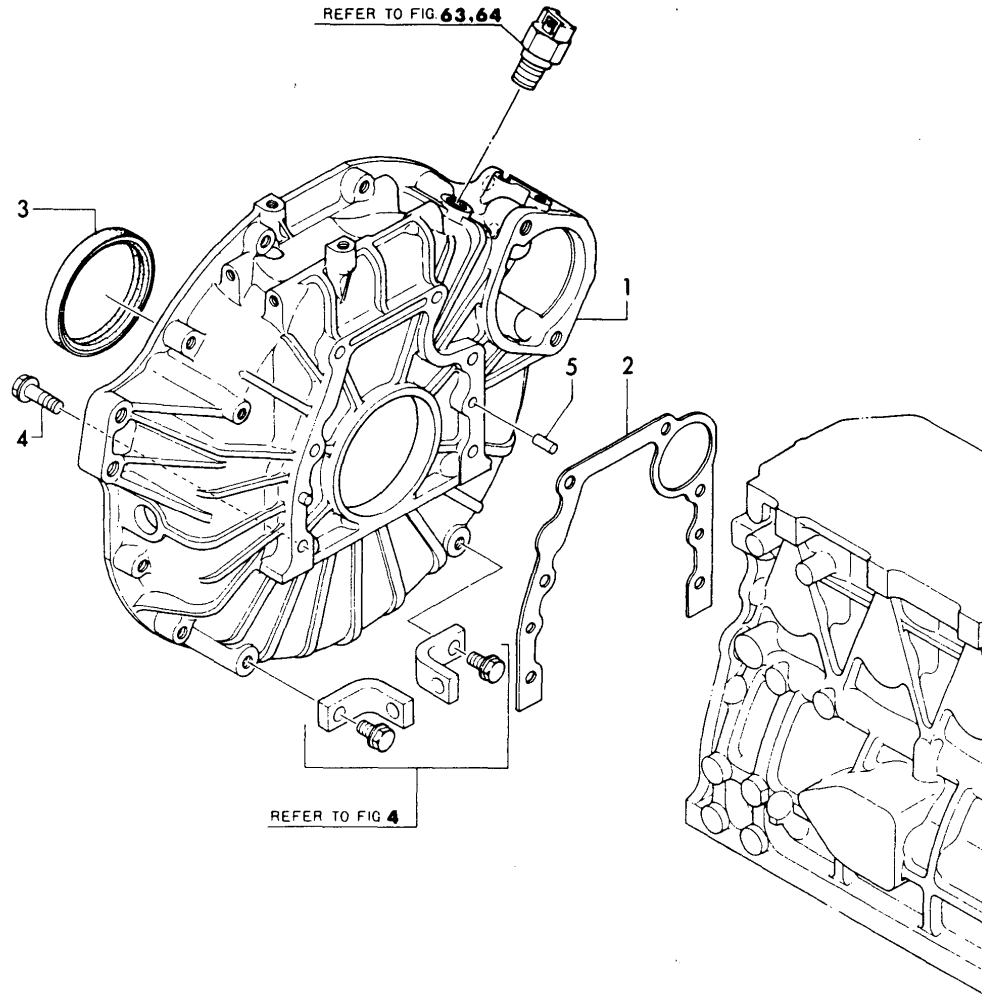
(A)=4JH-DTE
(B)=
(C)=

(D)=
(E)=
(F)=

REF.	LEV.	PARTS NO.	DESCRIPTION	QTY						I	R
				(A)	(B)	(C)	(D)	(E)	(F)		
1	1	129470-01500	HOUSING,GEARS	1							
2	1	129150-01510	GASKET	1							
3	1	129150-01520	FLANGE	1							
4	1	129150-01530	GASKET	1							
5	1	121023-01550	COVER,BLIND	1							
6	1	129470-01550	O-RING	2							
7	1	121450-01560	STUD M 8X22	3							
8	1	124160-01751	COVER,OIL FEED	1							
9	1	24311-000320	O-RING 1A P32.0	1							
10	1	129795-01800	OIL SEAL	1							
11	1	129150-01870	COVER	1							
12	1	129150-01880	GASKET	1							
13	1	129795-01950	KNOCK,PIPE	2							
14	1	24341-000260	O-RING 1A S26.0	1							
15	1	26106-060122	BOLT M 6X12	2							
16	1	26106-080122	BOLT M 8X12	4							
17	1	26106-080452	BOLT M 8X45	6							
18	1	26106-080552	BOLT M 8X55	3							
19	1	26106-080852	BOLT M 8X85	4							
20	1	26216-080182	STUD M 8X18	1							
21	1	22117-080000	WASHER 8	1							
22	1	26366-080002	NUT M 8	3							
23	1	23414-080000	GASKET 8	4							

Fig.3.FLYWHEEL HOUSING

Fig. 3 フライホイールハウジング
FLYWHEEL HOUSING



Y00R2020 3.FLYWHEEL HOUSING

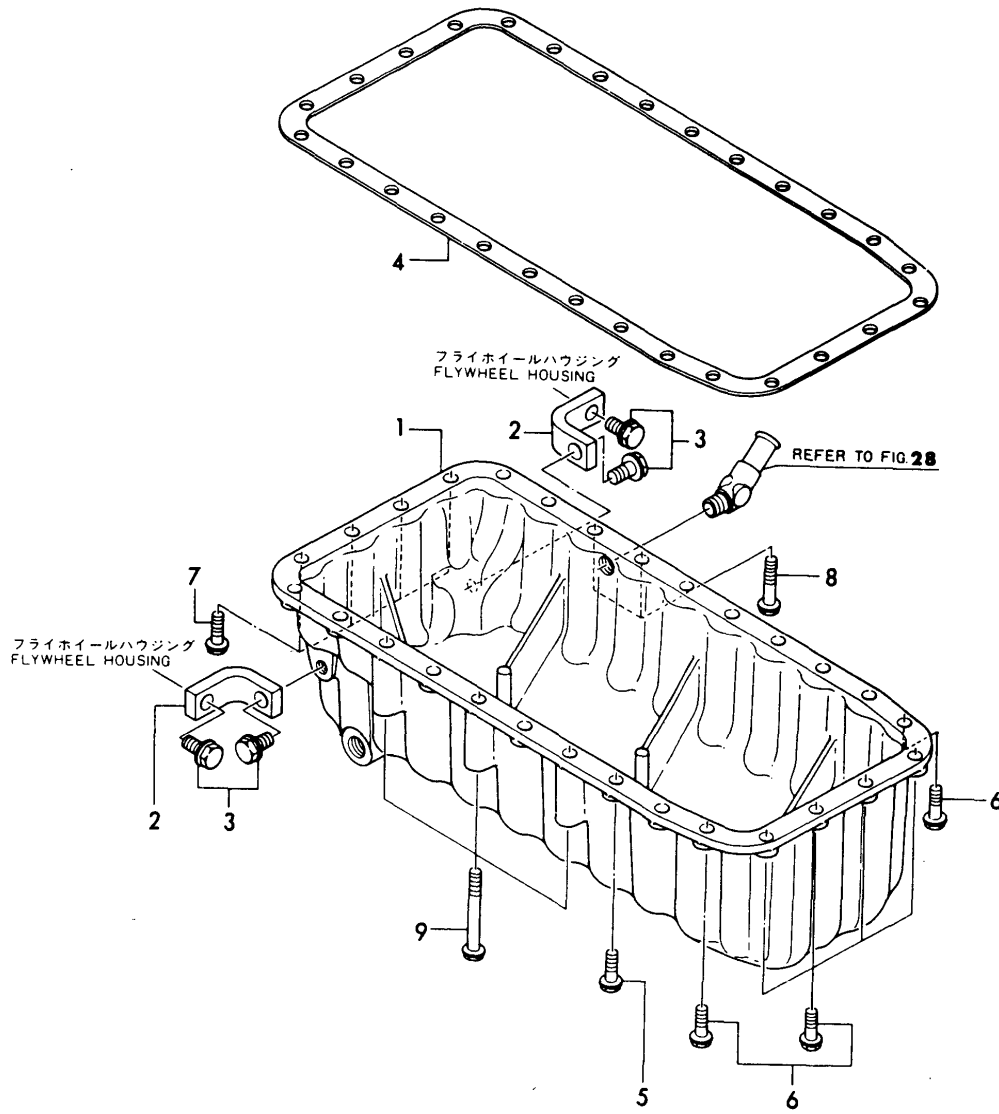
(A)=4JH-DTE
(B)=
(C)=

(D)=
(E)=
(F)=

REF.	LEV.	PARTS NO.	DESCRIPTION	QTY						I	R	
				(A)	(B)	(C)	(D)	(E)	(F)			
1	1	129400-01600	HOUSING,FLYWHEEL	1								
2	1	129100-01620	GASKET	1								
3	1	129795-01780	OIL SEAL	1								
4	1	26106-100302	BOLT M10X30	6								
5	1	22312-080160	PARALLEL PIN 8X16	2								

Fig.4.LUB. OIL SUMP

Fig.4 オイルパン
LUB. OIL SUMP



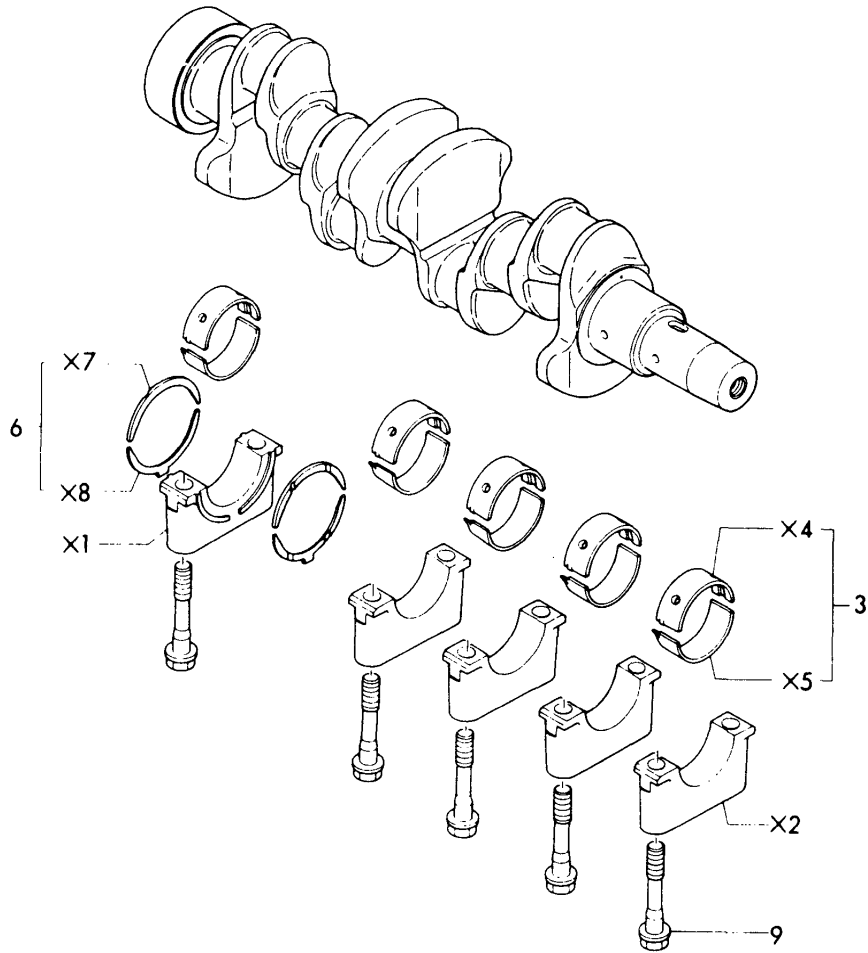
(A)=4JH-DTE
(B)=
(C)=

(D)=
(E)=
(F)=

REF.	LEV.	PARTS NO.	DESCRIPTION	QTY						I	R	
				(A)	(B)	(C)	(D)	(E)	(F)			
1	1	129470-01700	SUMP,LUB.OIL	1								
2	1	129470-01710	BRACKET	2								
3	1	26106-100252	BOLT M10X25	4								
4	1	129400-01750	GASKET	1								
5	1	26106-080252	BOLT M 8X25	13								
6	1	26106-080252	BOLT M 8X25	6								
7	1	26106-080252	BOLT M 8X25	4								
8	1	26106-080402	BOLT M 8X40	2								
9	1	26106-080702	BOLT M 8X70	3								

Fig.5.MAIN BEARING

Fig. 5 メインメタル
MAIN BEARING



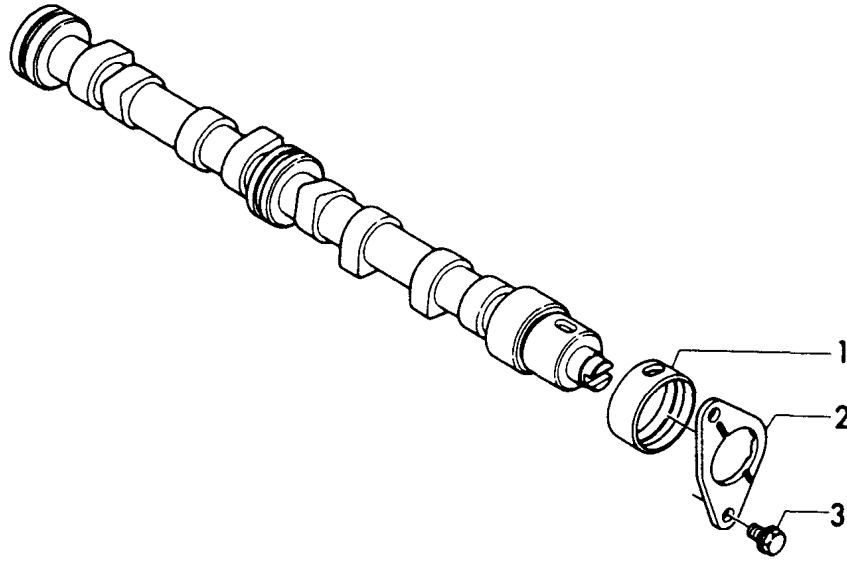
(A)=4JH-DTE
(B)=
(C)=

(D)=
(E)=
(F)=

REF.	LEV.	PARTS NO.	DESCRIPTION	Q'TY						I	R
				(A)	(B)	(C)	(D)	(E)	(F)		
3	2	729150-02800	BEARING ASSY.,MAIN	5							
6	2	729150-02930	BEARING ASSY.,THRUST	2							
9	2	129150-02020	BOLT	10							

Fig.6.CAMSHAFT BEARING

Fig. 6 カムシャフトメタル CAMSHAFT BEARING



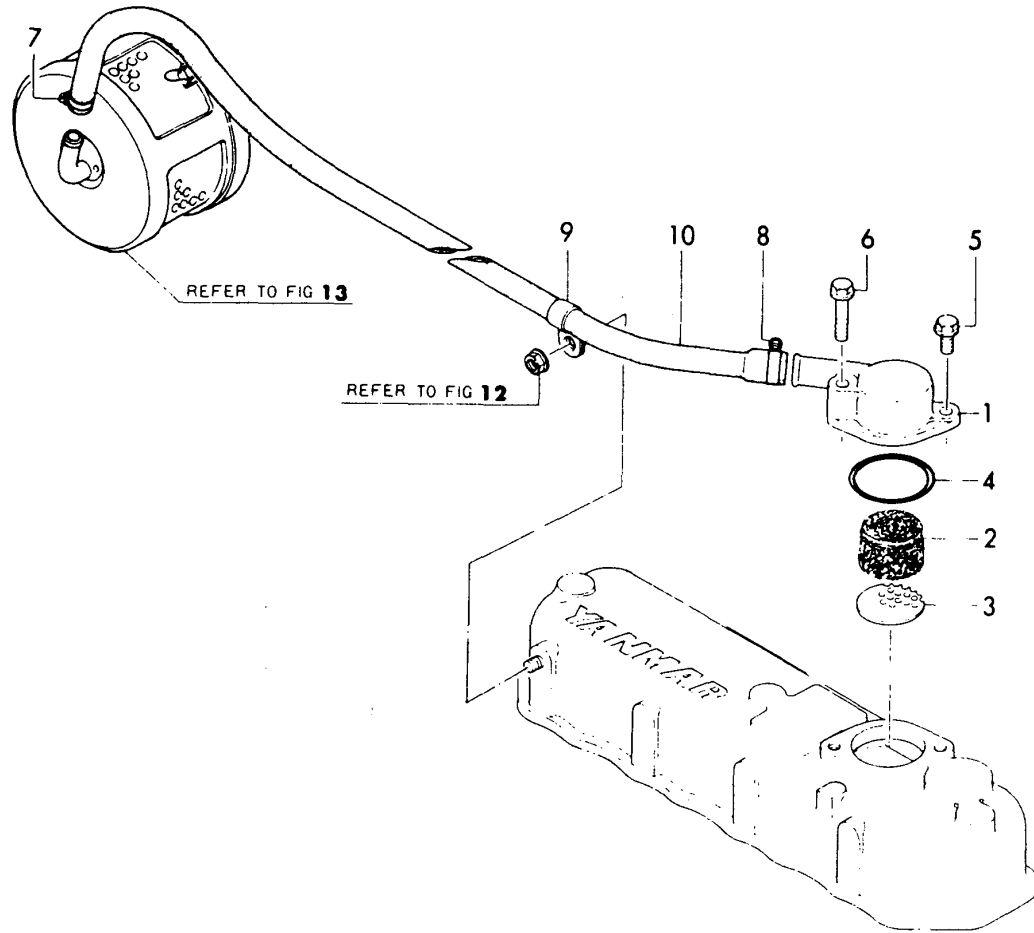
Y00R2020 6.CAMSHAFT BEARING

(A)=4JH-DTE (D)=
(B)= (E)=
(C)= (F)=

REF.	LEV.	PARTS NO.	DESCRIPTION	----- Q'TY -----						I	R
				(A)	(B)	(C)	(D)	(E)	(F)		
1	1	129795-02411	BUSH A	1							
2	1	129150-02450	BEARING,THRUST	1							
3	1	26106-080162	BOLT M 8X16	2							

Fig.7.BREATHER

Fig. 7 ブリーザ
BREATHER



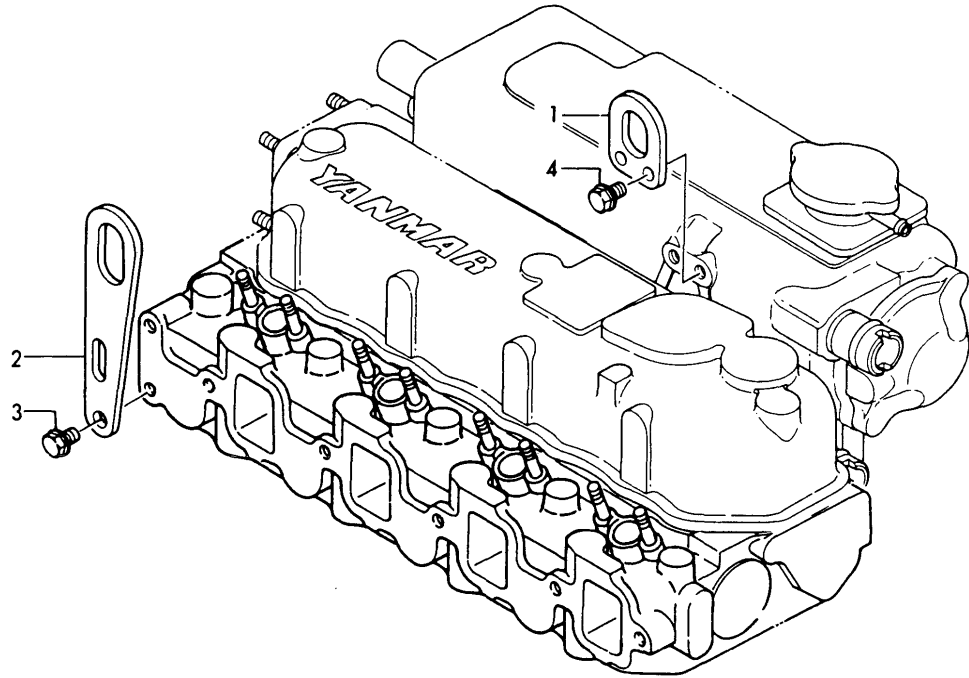
(A)=4JH-DTE
(B)=
(C)=

(D)=
(E)=
(F)=

REF.	LEV.	PARTS NO.	DESCRIPTION	QTY						I	R	
				(A)	(B)	(C)	(D)	(E)	(F)			
1	2	129470-03010	COVER,BREATER	1								
2	2	129150-03070	BAFFLE	1								
3	2	121750-03080	PLATE	1								
4	2	24341-000530	O-RING 1A S53.0	1								
5	2	26106-080202	BOLT M 8X20	1								
6	2	26106-080402	BOLT M 8X40	1								
7	1	23000-016000	CLAMP 16	1								
8	1	23000-025000	CLAMP 25	1								
9	1	23297-160081	CLAMP	1								
10	1	129472-03090	PIPE L440	1								

Fig.8.ENGINE LIFTER

Fig. 8 ツリアゲカナグ
ENGINE LIFTER



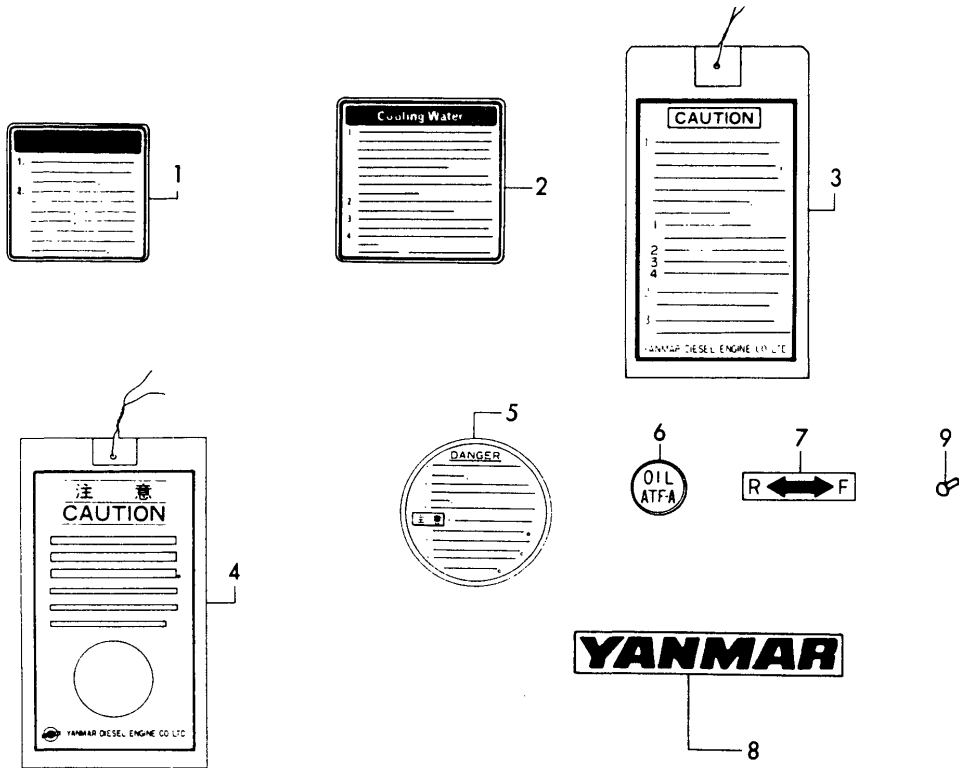
(A)=4JH-DTE
(B)=
(C)=

(D)=
(E)=
(F)=

REF.	LEV.	PARTS NO.	DESCRIPTION	QTY						I	R	
				(A)	(B)	(C)	(D)	(E)	(F)			
1	1	129470-07230	LIFTER,ENGINE	1								
2	1	124736-07900	LIFTER,ENGINE	1								
3	1	26106-080142	BOLT M 8X14	2								
4	1	26106-080162	BOLT M 8X16	2								

Fig.9.LABELS

Fig.9 メイバン LABELS



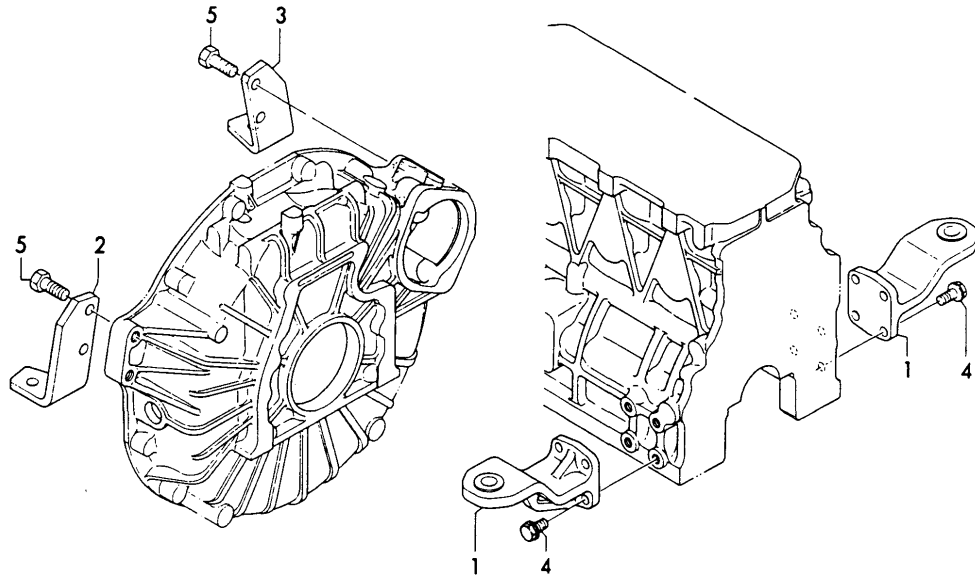
(A)=4JH-DTE
(B)=
(C)=

(D)=
(E)=
(F)=

REF.	LEV.	PARTS NO.	DESCRIPTION	QTY						I	R
				(A)	(B)	(C)	(D)	(E)	(F)		
1	1	135665-07210	LABEL	1							
2	1	127611-07350	LABEL	1							
3	1	126630-07370	LABEL	1							
4	1	123682-07850	LABEL	1							
5	1	120445-44620	PLATE	1							
6	1	177075-02550	LABEL	1							
7	1	177088-02430	LABEL	1							
8	1	42220-008960	LABEL	1							
9	1	102210-07990	RIVET	6							

Fig.10.ENGINE BRACKET

Fig. 10 マウンティングフット
ENGINE BRACKET



(A)=4JH-DTE
(B)=
(C)=

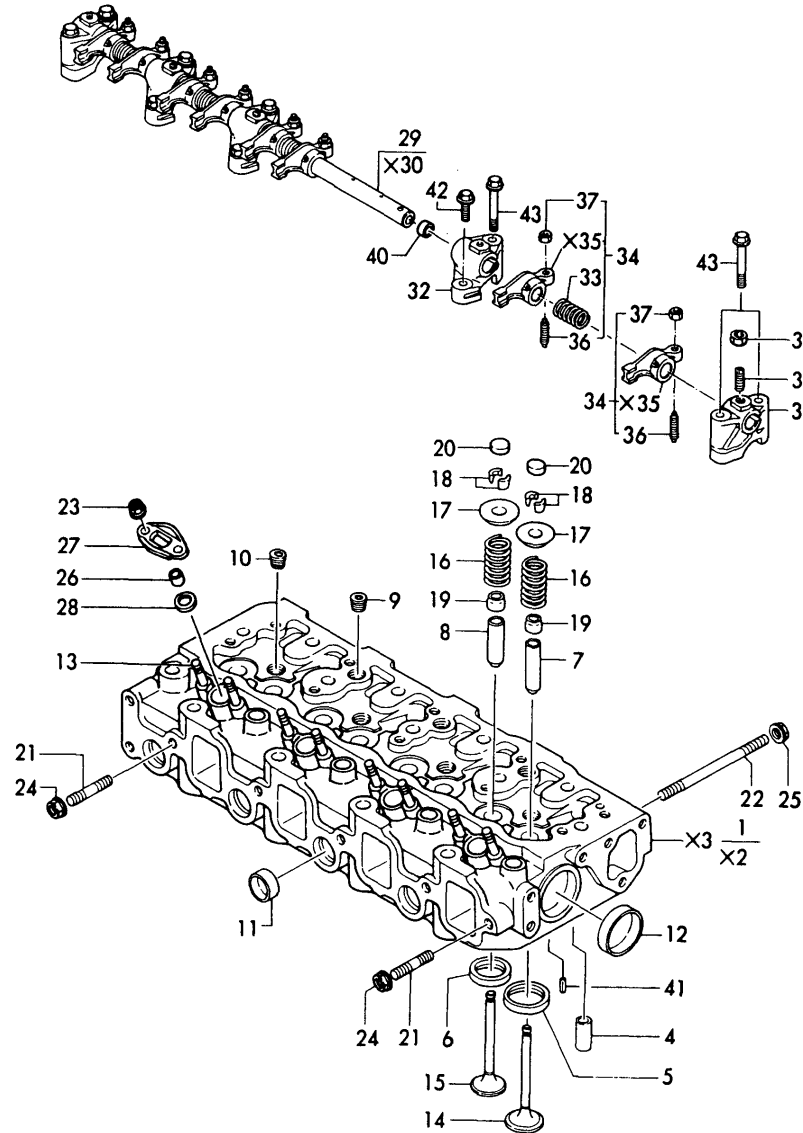
(D)=
(E)=
(F)=

REF.	LEV.	PARTS NO.	DESCRIPTION	QTY						I	R
				(A)	(B)	(C)	(D)	(E)	(F)		
1	1	129470-08100	BRACKET,ENGINE	2							
2	1	129470-08110	BRACKET,ENGINE	1							
3	1	129470-08120	BRACKET,ENGINE	1							
4	1	26106-100202	BOLT M10X20	8							
5	1	26116-120302	BOLT M12X30	4							

Fig.11.CYLINDER HEAD

(A)=4JH-DTE
(B)=
(C)=
(D)=
(E)=
(F)=

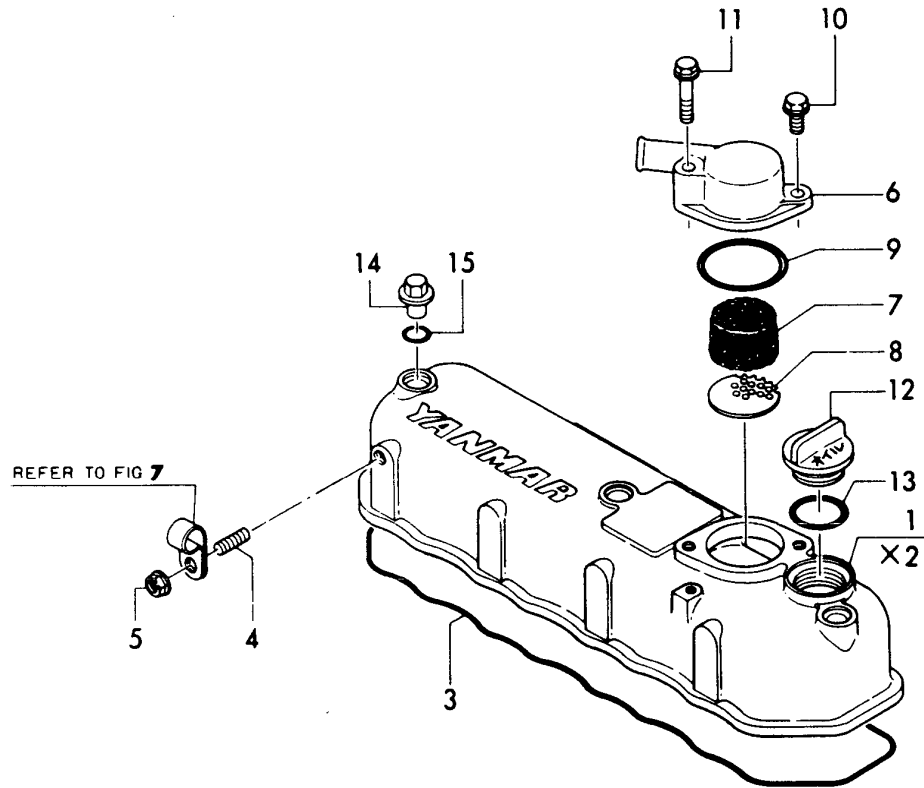
Fig. 11 シリンダヘッド
CYLINDER HEAD



REF.	LEV.	PARTS NO.	DESCRIPTION	QTY						I	R
				(A)	(B)	(C)	(D)	(E)	(F)		
1	1	729474-11701	HEAD ASSY..CYLINDER	1							
4	3	129150-11050	PEACE	4							
5	3	129470-11080	SEAT.SUC.VALVE	4							
6	3	129470-11090	SEAT.EXH.VALVE	4							
7	3	120130-11160	GUIDE.SUC.VALVE	4							
8	3	129150-11170	GUIDE.EXH.VALVE	4							
9	3	121850-11860	PLUG PT 1/4	3							
10	3	23871-030000	PLUG PT 3/8	4							
11	3	27241-220000	PLUG 22	4							
12	3	27241-400000	PLUG 40	2							
13	3	26216-060202	STUD M 6X 20	8							
14	2	129100-11100	VALVE.SUCTION	4							
15	2	129100-11110	VALVE.EXHAUST	4							
16	2	129795-11120	SPRING.VALVE	8							
17	2	129795-11180	RETAINER	8							
18	2	103338-11190	COTTER	8							
19	2	121400-11340	SEAL.VALVE STEM	8							
20	2	129150-11370	CAP	8							
21	2	26216-080222	STUD M 8X 22	2							
22	2	26216-081002	STUD M 8X100	2							
23	2	26367-060002	NUT M 6	8							
24	2	*REF. 13=11	NUT M 8	2							
25	2	*REF. 32=21	NUT M 8	2							
26	1	119625-11870	PROTECTOR	4							
27	1	119625-11900	RETAINER	4							
28	1	119625-11880	SEAT	4							
29	1	129550-11240	SHAFT ASSY..W/PLUG	1							
31	2	129150-11260	SUPPORT A	2							
32	2	129150-11270	SUPPORT B	3							
33	2	129150-11280	SPRING	4							
34	2	729150-11650	ARM ASSY.	8							
36	3	129150-11230	ADJUSTER,CLEARANCE	8							
37	3	129150-11750	NUT M 8X1.0	8							
38	2	26226-080182	STUD M 8X18	3							
39	2	26756-080002	NUT M 8	3							
40	2	27241-100000	PLUG 10	2							
41	1	22351-060012	SPRING PIN 6.0A	2							
42	1	26106-080252	BOLT M 8X25	3							
43	1	26106-080502	BOLT M 8X50	7							

Fig.12.BONNET

Fig. **12** ベンワンシツ
BONNET



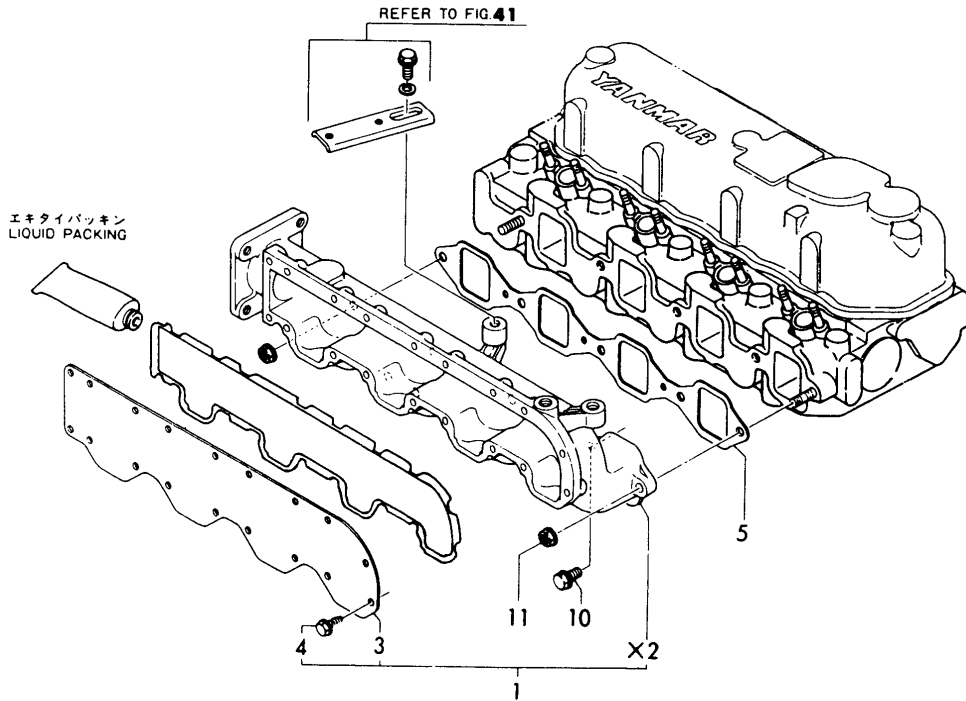
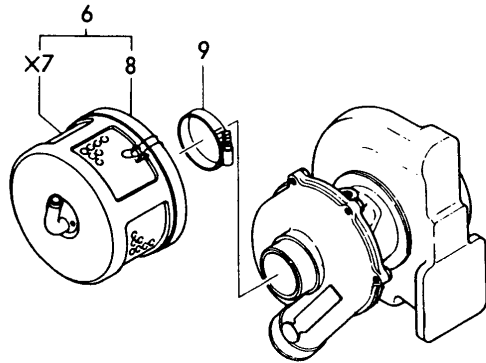
(A)=4JH-DTE
(B)=
(C)=

(D)=
(E)=
(F)=

REF.	LEV.	PARTS NO.	DESCRIPTION	QTY						I	R
				(A)	(B)	(C)	(D)	(E)	(F)		
1	1	729470-11520	BONNET ASSY.	1							
3	2	129550-11310	GASKET	1							
4	2	121850-01910	STUD M 8X12	1							
5	2	26366-080002	NUT M 8	1							
6	2	*REF. 7=1	COVER,BREATHER	1							
7	2	*REF. 7=2	BAFFLE	1							
8	2	*REF. 7=3	PLATE	1							
9	2	*REF. 7=4	O-RING 1A S53.0	1							
10	2	*REF. 7=5	BOLT M 8X20	1							
11	2	*REF. 7=6	BOLT M 8X40	1							
12	1	124160-01751	CAP, OIL FEED	1							
13	1	24311-000320	O-RING 1A P32.0	1							
14	1	124160-11360	KNOB	3							
15	1	24311-000120	O-RING 1A P12.0	3							

Fig.13.SUCTION MANIFOLD

Fig. **13** キュウキマニホールド
SUCTION MANIFOLD



(A)=4JH-DTE
(B)=
(C)=

(D)=
(E)=
(F)=

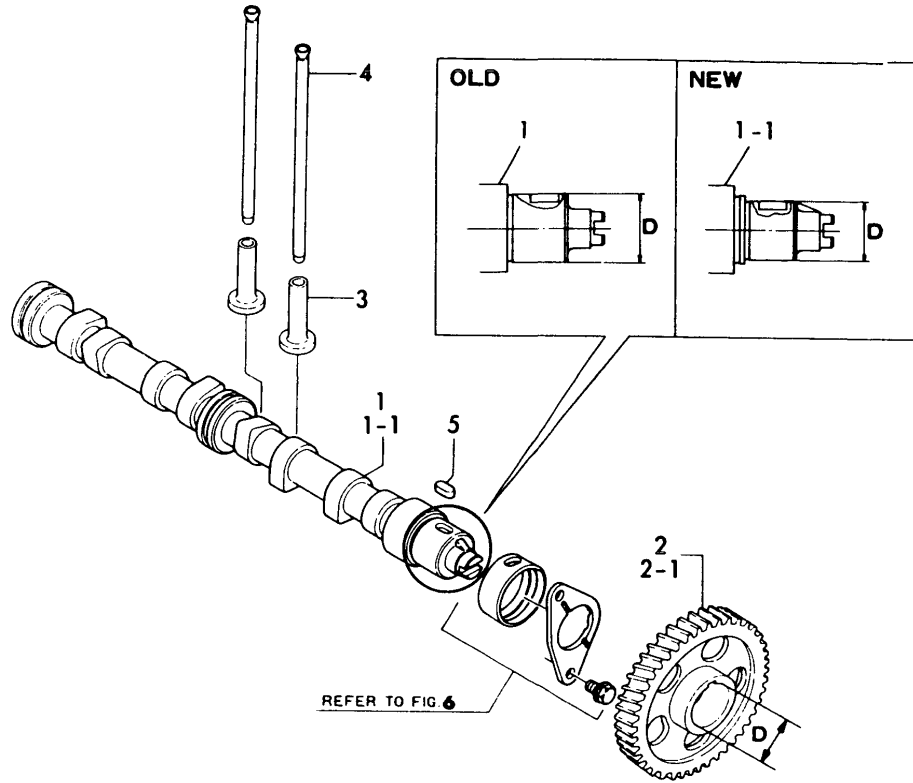
REF.	LEV.	PARTS NO.	DESCRIPTION	QTY						I	R	
				(A)	(B)	(C)	(D)	(E)	(F)			
1	1	129470-12100	MANIFOLD ASSY.,SUC.	1								
3	2	129470-12120	COVER	1								
4	2	26476-060142	SCREW M 6X14	18								
5	1	129550-12110	GASKET	1								
6	1	129470-12300	SILENCER ASSY.	1								
8	2	129470-12320	BRACKET	1								
9	1	23000-054000	CLAMP 54	1								
10	1	26106-080202	BOLT M 8X20	3								
11	1	26366-080002	NUT M 8	2								

(A)=4JH-DTE
(B)=
(C)=

(D)=
(E)=
(F)=

Fig.15.CAMSHAFT

Fig. 15 カムシャフト
CAMSHAFT

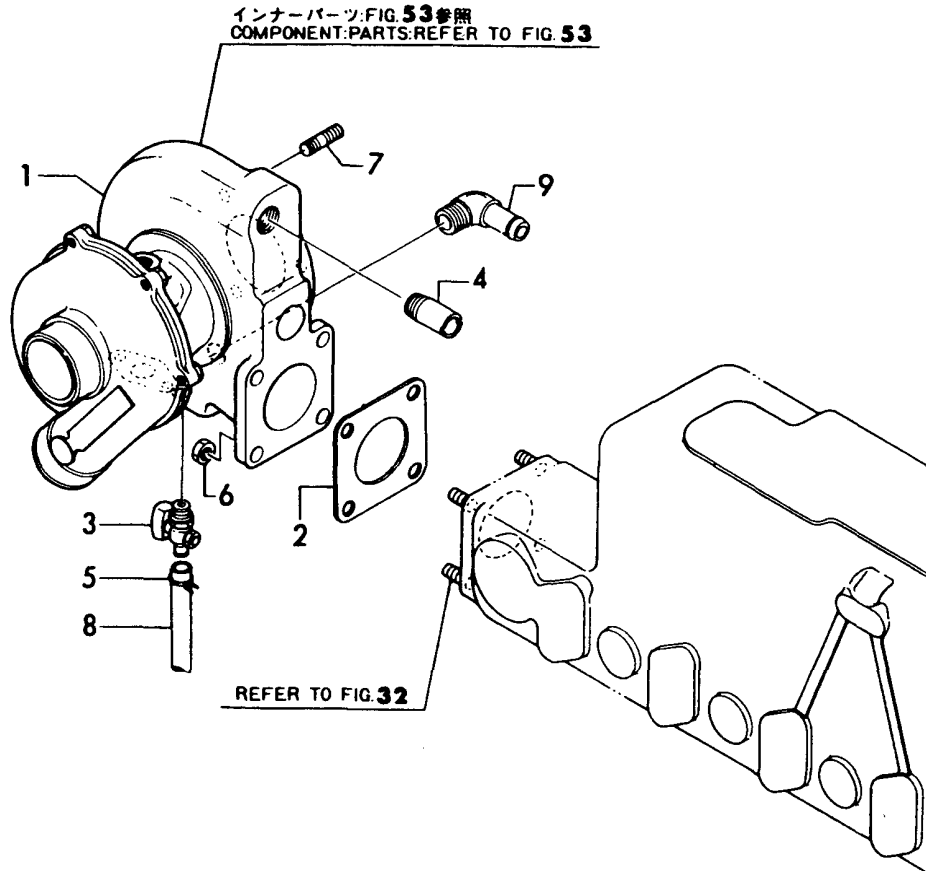


REF.	LEV.	PARTS NO.	DESCRIPTION	Q'TY						I	R
				(A)	(B)	(C)	(D)	(E)	(F)		
1	1	129472-14010	CAMSHAFT (D35)	1							
1-1	1	129472-14011	CAMSHAFT (D30)	1							F A
		(A=X)									
2	1	129150-14100	GEAR,CAM (D35)	1							
2-1	1	129150-14101	GEAR,CAM (D30)	1							S
		(A=X)									
3	1	129150-14200	TAPPET	8							
4	1	129150-14400	ROD,PUSH	8							
5	1	22512-070140	FEATHER KEY 7X14	1							

Remarks
A) INTERCHANGEABLE BY SIMULTANEOUS
REPLACEMENT WITH REF.NO.2-1(GEAR).

Fig.16.TURBOCHARGER

Fig. 16 タービン TURBOCHARGER



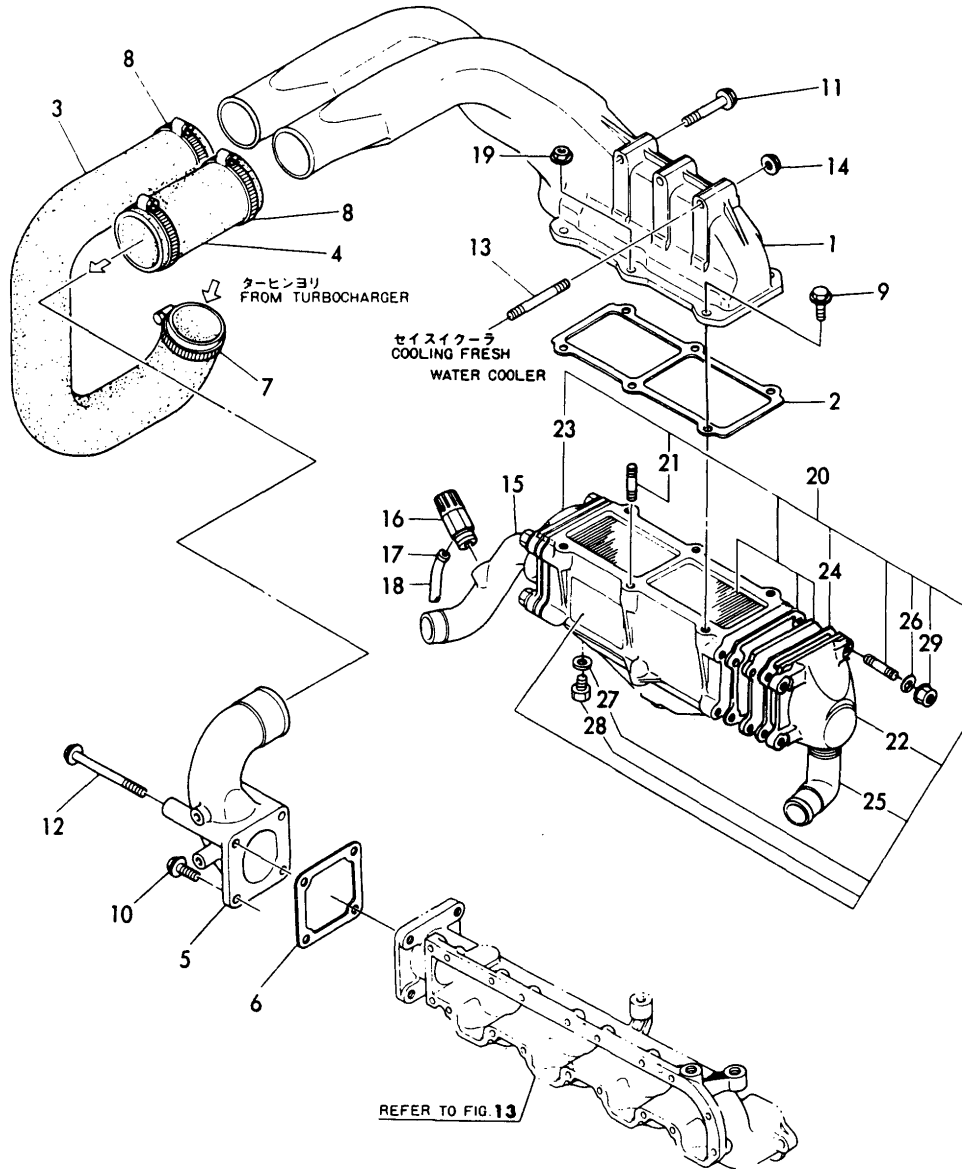
(A)=4JH-DTE
(B)=
(C)=

(D)=
(E)=
(F)=

REF.	LEV.	PARTS NO.	DESCRIPTION	QTY						I	R
				(A)	(B)	(C)	(D)	(E)	(F)		
1	1	129473-18000	TURBOCHARGER RHB52HW	1							
I	1-1	129474-18001	TURBOCHARGER RHB52HW	1							N
		(A=E30946)									
2	1	129792-18090	GASKET	1							
3	1	128695-44090	COCK PT1/8	1							
4	1	129474-44480	JOINT	1							
5	1	124460-77680	RETAINER	1							
6	1	26703-080002	NUT M8	4							
7	1	26213-080182	STUD M8X 18	3							
8	1	23061-070300	PIPE	1							
9	1	128270-13620	ELBOW PT 3/8	1							

Fig.17.AIR COOLER

Fig. 17 インタークーラ
AIR COOLER



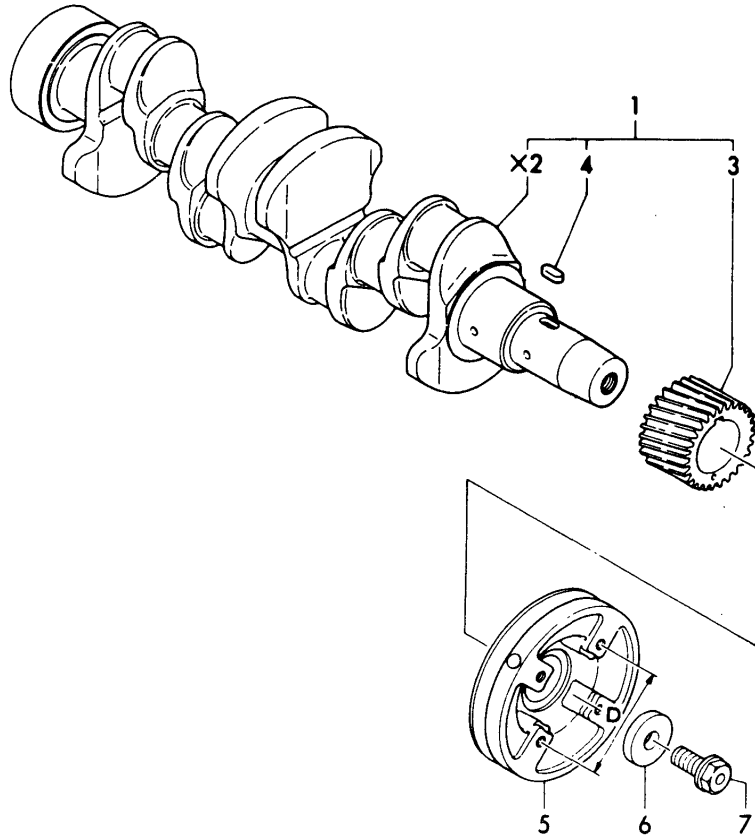
(A)=4JH-DTE
(B)=
(C)=

(D)=
(E)=
(F)=

REF.	LEV.	PARTS NO.	DESCRIPTION	QTY						I	R	
				(A)	(B)	(C)	(D)	(E)	(F)			
1	1	129474-18110	DUCT,AIR	1								
2	1	129474-18120	GASKET	1								
3	1	129474-18130	HOSE,RUBBER	1								
4	1	129474-18140	HOSE,RUBBER	1								
5	1	129474-18150	BEND	1								
6	1	129150-77510	GASKET	1								
7	1	23000-060000	CLAMP 60	1								
8	1	23000-070000	CLAMP 70	3								
9	1	26106-080202	BOLT M 8X20	4								
I 9-1	1	26106-080202	BOLT M 8X20	6								K
		(A=*1986.10)										
10	1	26106-080202	BOLT M 8X20	2								
11	1	26106-080502	BOLT M 8X50	1								
12	1	26106-080952	BOLT M 8X95	2								
13	1	26226-080502	STUD M 8X50	2								
I 14	1	26366-080002	NUT 8	2								Z
		(A=*1986.10)										
15	1	129474-49020	BEND	1								
16	1	120130-49350	COCK W/VALVE	1								
17	1	124460-77680	CLAMP	1								
18	1	23061-070300	PIPE 7X300	1								
19	1	26366-080002	NUT M 8	2								
20	1	129473-18100	AIR COOLER ASSY	1								
I 20-1	1	129473-18101	AIR COOLER ASSY	1								N
		(A=*1985.10)										
21	2	121850-01920	STUD M 8X22	2								Z
		(A=*1986.10)										
22	2	129474-18220	TANK	1								
23	2	129474-18230	TANK	1								
24	2	129474-18240	GASKET	2								
I 24-1	2	129474-18241	GASKET	2								Q
		(A=*1986.10)										
25	2	123325-49490	ELBOW	1								
26	2	22217-080000	SPRING WASHER 8	8								
27	2	23414-130000	GASKET	1								
28	2	23894-020002	PLUG PF1/4	1								
29	2	26366-080002	NUT M 8	8								

Fig.18.CRANKSHAFT

Fig. 18 クランクシャフト
CRANKSHAFT



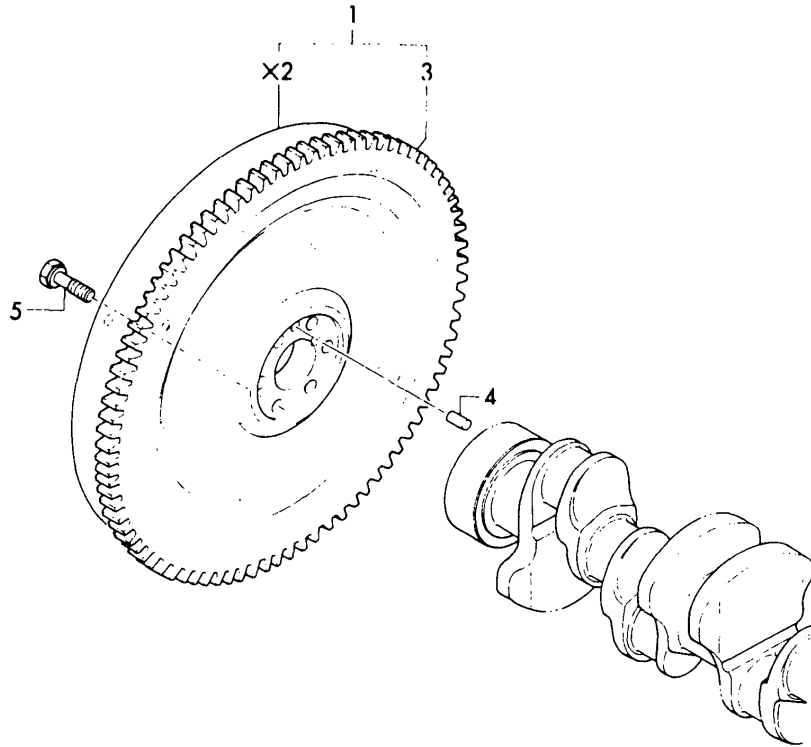
(A)=4JH-DTE
(B)=
(C)=

(D)=
(E)=
(F)=

REF.	LEV.	PARTS NO.	DESCRIPTION	Q'TY						I	R	
				(A)	(B)	(C)	(D)	(E)	(F)			
1	1	129474-21000	CRANKSHAFT ASSY.	1								
3	2	129150-21200	GEAR,CRANK	1								
4	2	22512-070140	FEATHER KEY 7X14	1								
5	1	129470-21650	V-PULLY D82.5	1								
6	1	129795-21661	WASHER	1								
7	1	121850-21680	BOLT	1								

Fig.19.FLYWHEEL

Fig. **19** フライホイール
FLYWHEEL



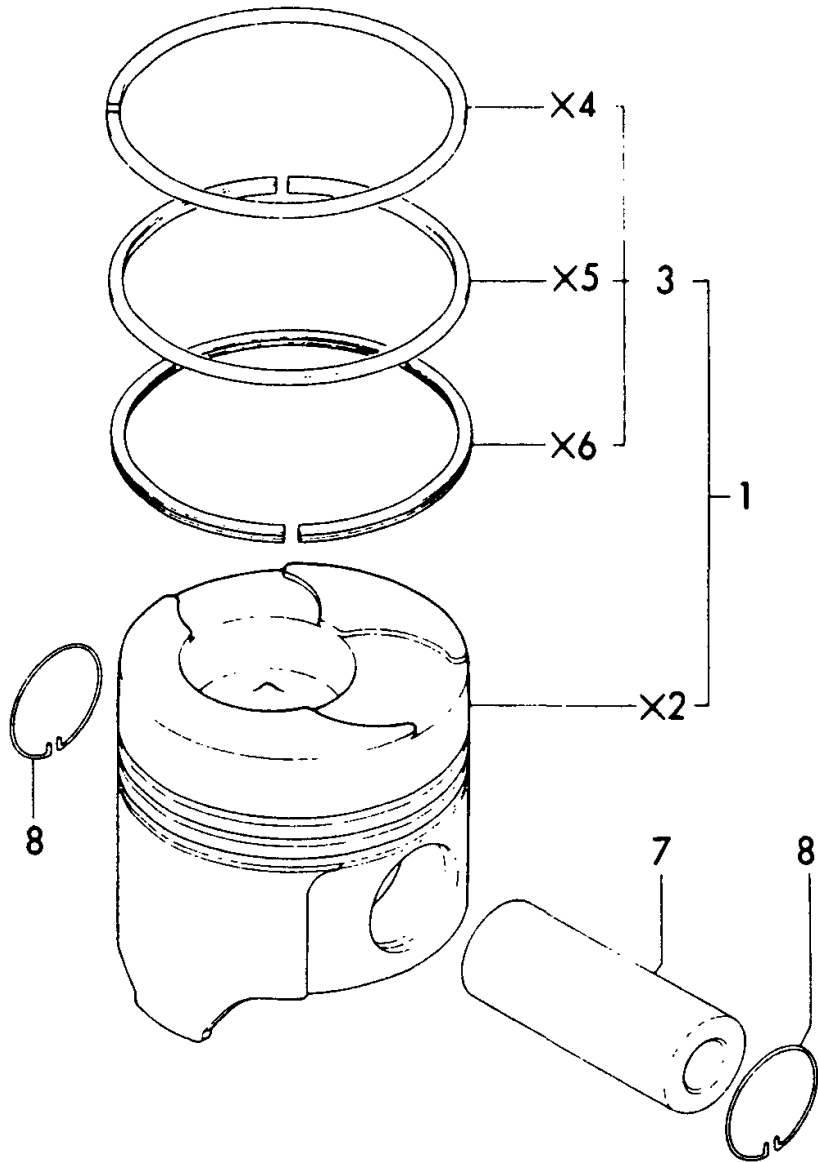
(A)=4JH-DTE
(B)=
(C)=

(D)=
(E)=
(F)=

REF.	LEV.	PARTS NO.	DESCRIPTION	QTY						I	R	
				(A)	(B)	(C)	(D)	(E)	(F)			
1	1	129470-21590	FLYWHEEL ASSY.	1								
3	2	124550-21600	GEAR,RING	1								
4	1	22312-080160	PARALLEL PIN 8X16	1								
5	1	121111-21501	BOLT M10X32	6								

Fig.20.PISTON

Fig. 20 ピストン PISTON



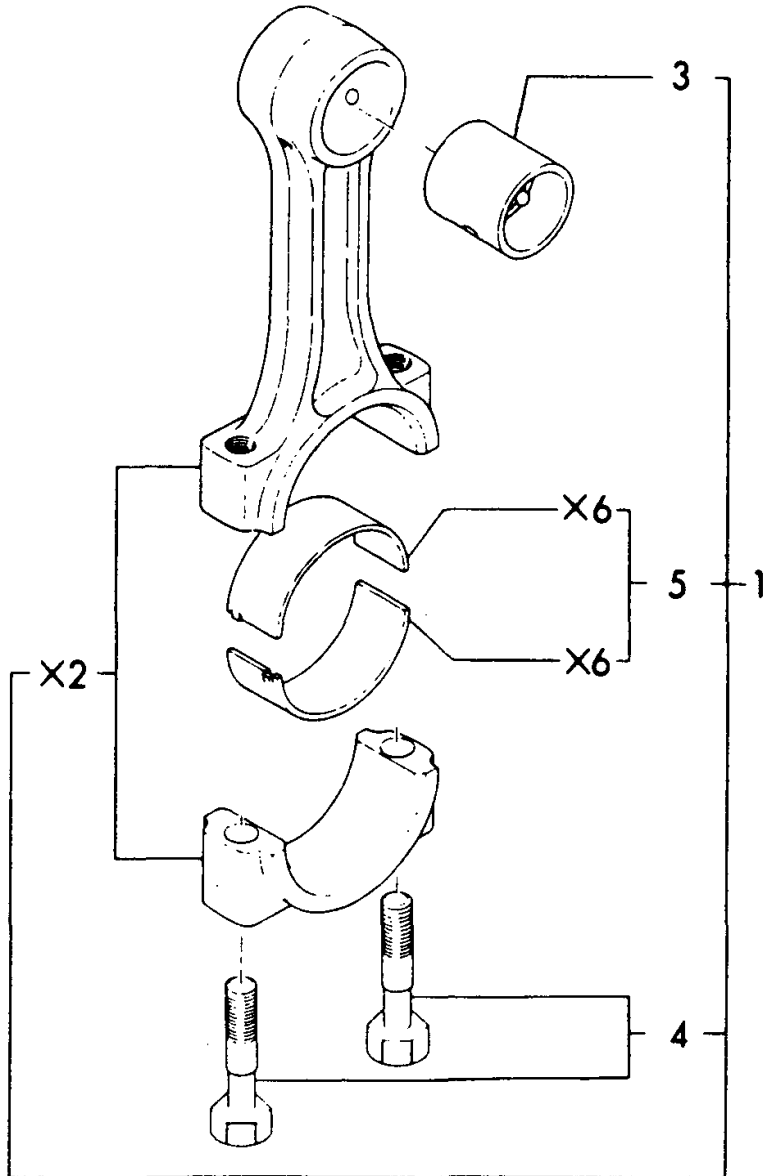
(A)=4JH-DTE
(B)=
(C)=

(D)=
(E)=
(F)=

REF.	LEV.	PARTS NO.	DESCRIPTION	Q'TY						I	R	
				(A)	(B)	(C)	(D)	(E)	(F)			
1	1	129474-22000	PISTON W/RING	4								
3	2	729470-22500	RING SET	4								
7	1	129150-22300	PIN,PISTON	4								
8	1	121100-22400	CIRCLIP	8								

Fig.21.CONNECTING ROD

Fig. 21 コネクティングロッド CONNECTING ROD



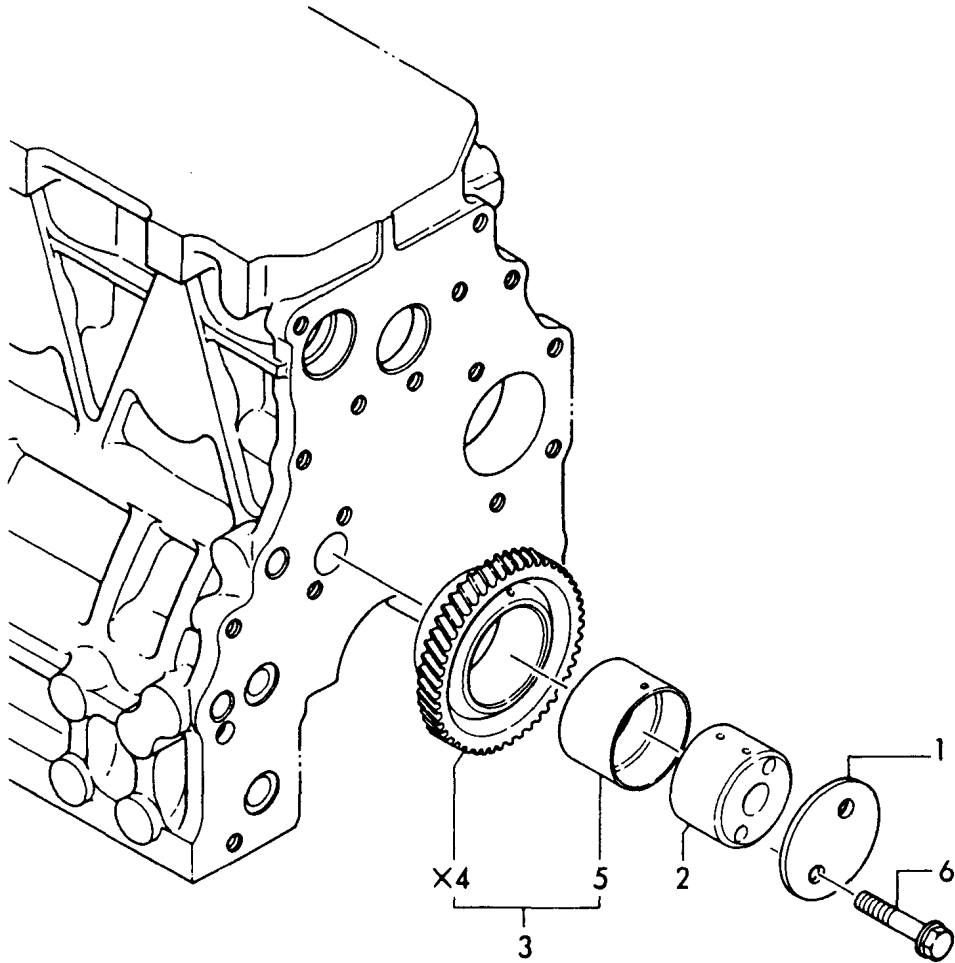
(A)=4JH-DTE
(B)=
(C)=

(D)=
(E)=
(F)=

REF.	LEV.	PARTS NO.	DESCRIPTION	QTY						I	R
				(A)	(B)	(C)	(D)	(E)	(F)		
1	1	729150-23701	ROD ASSY.,CONNECTING	4							
3	2	129100-23100	BUSH,PISTON PIN	4							
4	2	121550-23200	BOLT,CONNECTING ROD	8							
5	2	729150-23600	BEARING ASSY.	4							

Fig.22.IDLE GEAR

Fig. **22** アイドルギヤ
IDLE GEAR



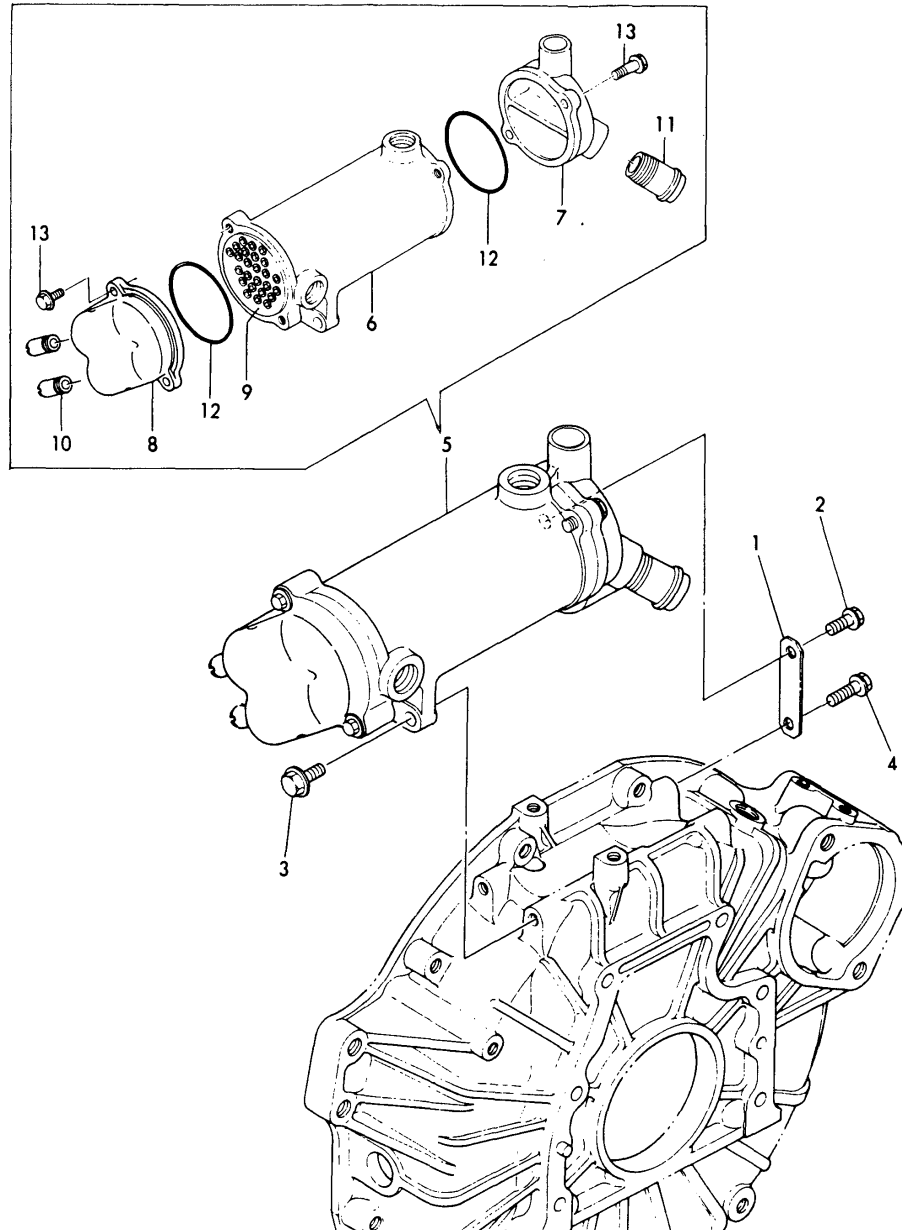
(A)=4JH-DTE
(B)=
(C)=

(D)=
(E)=
(F)=

REF.	LEV.	PARTS NO.	DESCRIPTION	QTY						I	R
				(A)	(B)	(C)	(D)	(E)	(F)		
1	1	129150-25020	BRACKET	1							
2	1	129150-25055	SHAFT	1							
3	1	129150-25100	GEAR W/BUSH	1							
5	2	129150-25065	BUSH	1							
6	1	26106-080452	BOLT M 8X45	2							

Fig.24.LUB.OIL COOLER

Fig. **24** ローケラ
LUB. OIL COOLER



(A)=4JH-DTE
(B)=
(C)=

(D)=
(E)=
(F)=

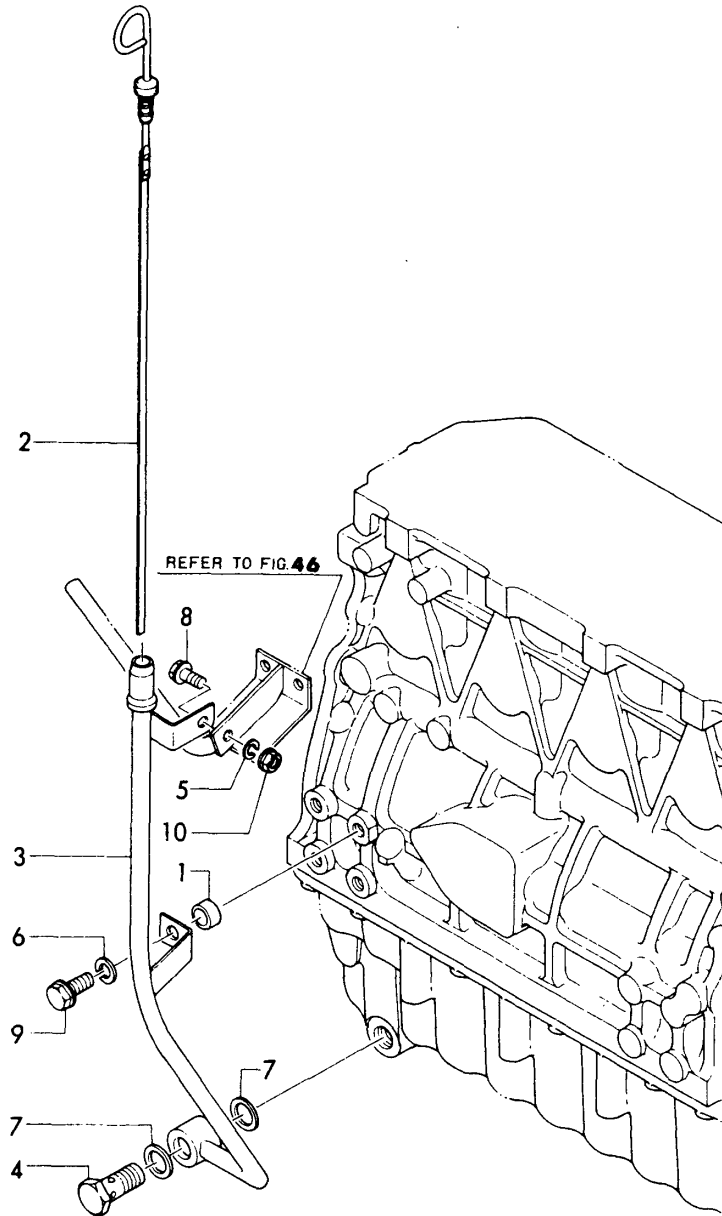
REF.	LEV.	PARTS NO.	DESCRIPTION	QTY						I	R	
				(A)	(B)	(C)	(D)	(E)	(F)			
1	1	129474-33500	CLAMP	1								
2	1	26106-080142	BOLT M8X14	1								
3	1	26106-080162	BOLT M8X16	2								
4	1	26106-080252	BOLT M8X25	1								
5	1	129474-33000	COOLER ASSY.	1								
6	2	129474-33010	BODY	1								
7	2	129474-33020	COVER A	1								
8	2	129474-33030	COVER B	1								
9	2	129474-33040	CORE	1								
10	2	104271-49060	PIPE JOINT PT1/4	2								
11	2	123325-49421	PIPE JOINT	1								
12	2	24321-000750	O-RING 1A G75.0	2								
13	2	26106-080252	BOLT M8X25	4								

Fig.25.LUB.OIL DIPSTICK

(A)=4JH-DTE
(B)=
(C)=

(D)=
(E)=
(F)=

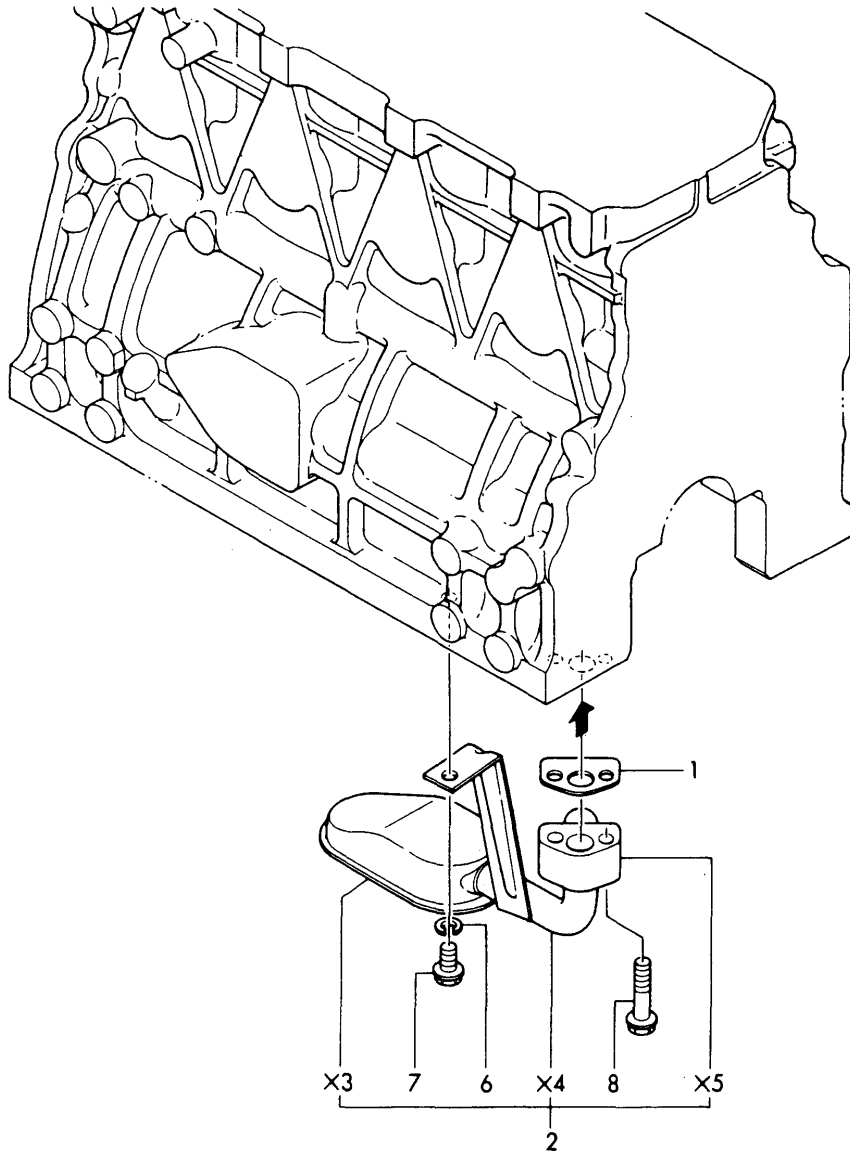
Fig. **25** ケンユボウ
LUB. OIL DIPSTICK



REF.	LEV.	PARTS NO.	DESCRIPTION	QTY						I	R
				(A)	(B)	(C)	(D)	(E)	(F)		
1	1	129301-34830	SPACER	1							
2	1	129470-34850	DIPSTICK,LUB.OIL	1							
3	1	129470-34860	GUIDE	1							
4	1	104214-39720	BOLT,PIPE JOINT	1							
5	1	22217-080000	SPRING WASHER 8	1							
6	1	22217-100000	SPRING WASHER 10	1							
7	1	23414-160000	GASKET 16	2							
8	1	26106-080162	BOLT M 8X16	1							
9	1	26106-100252	BOLT M10X25	1							
10	1	26366-080002	NUT M 8	1							

Fig.26.LUB. OIL SUCTION PIPE

Fig. **26** キュウニュウパイプ
LUB. OIL SUCTION PIPE



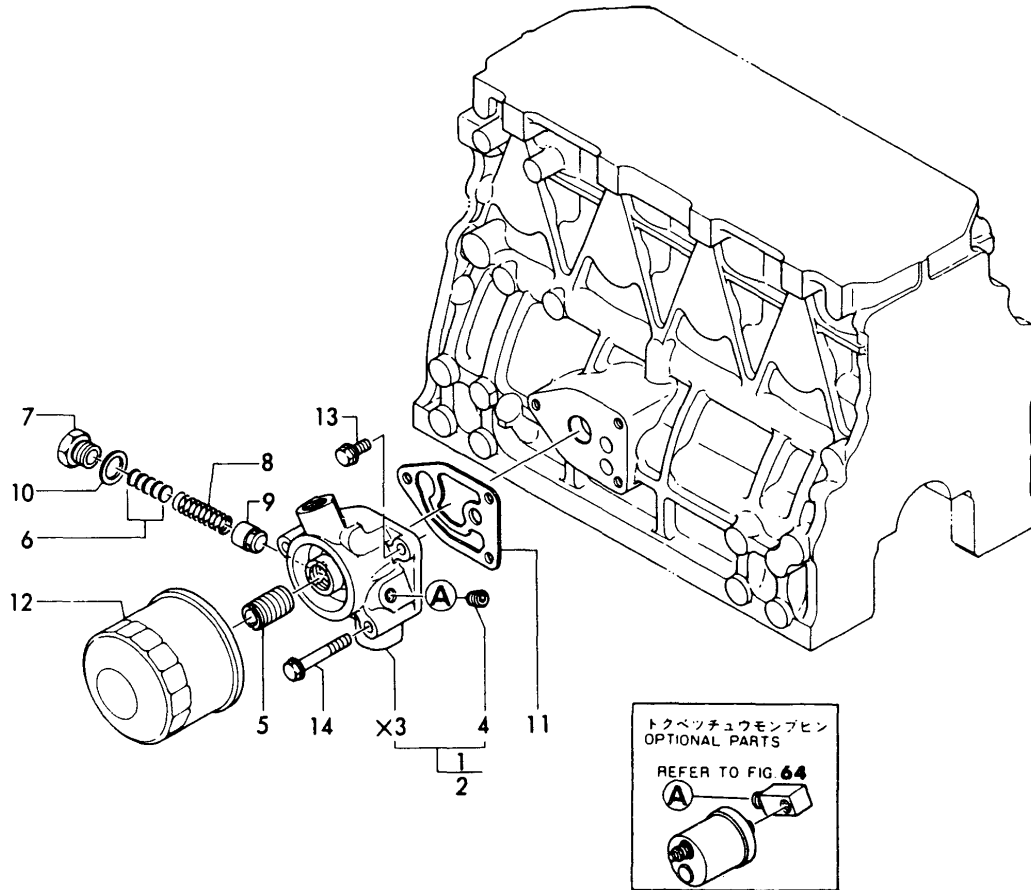
(A)=4JH-DTE
(B)=
(C)=

(D)=
(E)=
(F)=

REF.	LEV.	PARTS NO.	DESCRIPTION	QTY						I	R	
				(A)	(B)	(C)	(D)	(E)	(F)			
1	1	129150-35040	GASKET	1								
2	1	129470-35090	PIPE ASSY.	1								
6	1	22217-080000	SPRING WASHER 8	1								
7	1	26106-080142	BOLT M 8X14	1								
8	1	26106-080352	BOLT M 8X35	2								

Fig.27.LUB. OIL STRAINER

Fig. **27** LOフィルタ
LUB. OIL STRAINER



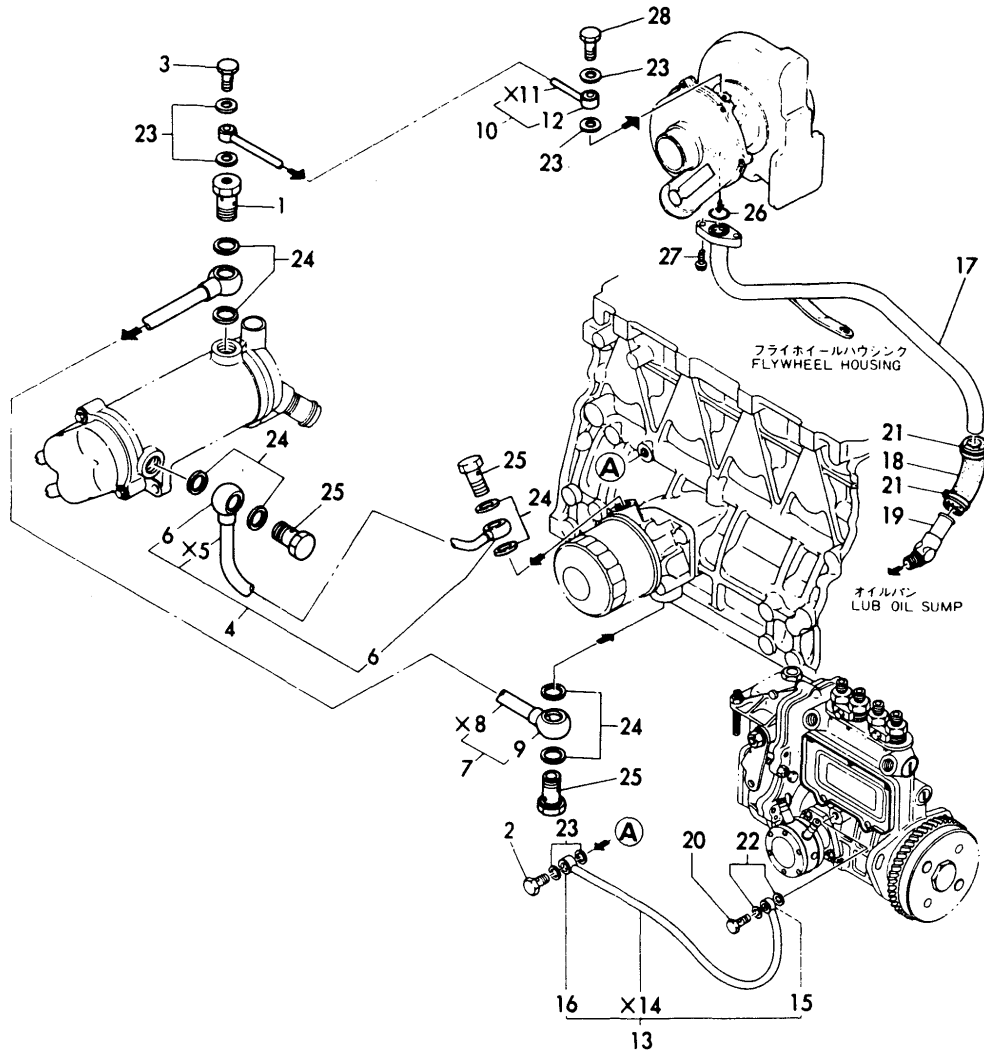
(A)=4JH-DTE
(B)=
(C)=

(D)=
(E)=
(F)=

REF.	LEV.	PARTS NO.	DESCRIPTION	----- QTY -----						I	R
				(A)	(B)	(C)	(D)	(E)	(F)		
1	1	129470-35100	BRACKET ASSY.	1							
2	2	129470-35130	BRACKET ASSY.	1							
4	3	23871-020000	PLUG PT1/4	1							
5	2	129100-35140	JOINT	1							
6	2	121850-35200	SHIM SET	1							
7	2	124223-35510	RETEINER	1							
8	2	121850-35520	SPRING	1							
9	2	121850-35531	VALVE	1							
10	2	23414-180000	GASKET 18	1							
11	1	129470-35120	GASKET	1							
12	1	129150-35150	STRAINER	1							
13	1	26106-080202	BOLT M 8X20	1							
14	1	26106-080552	BOLT M 8X55	2							

Fig.28.LUB. OIL LINES

Fig.28 LOパイプ
LUB. OIL LINES



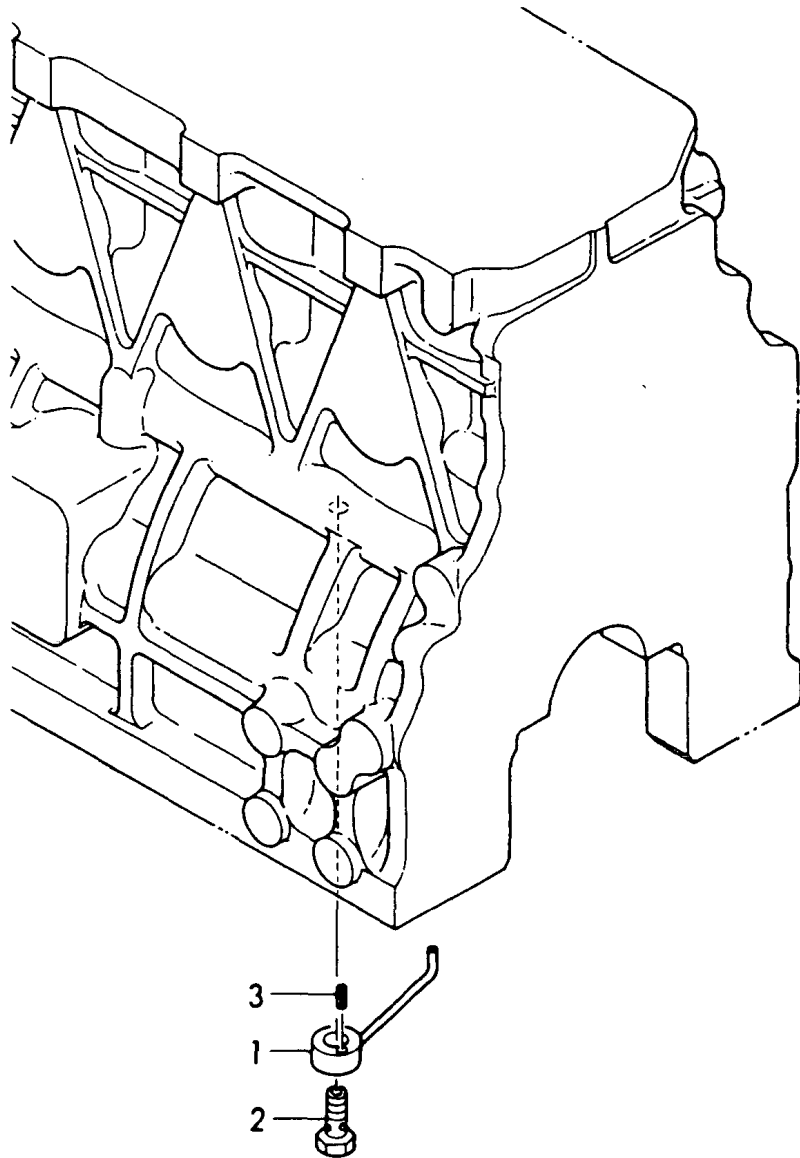
(A)=4JH-DTE
(B)=
(C)=

(D)=
(E)=
(F)=

REF.	LEV.	PARTS NO.	DESCRIPTION	QTY						I	R
				(A)	(B)	(C)	(D)	(E)	(F)		
1	1	129472-39020	BOLT,PIPE JOINT	1							
2	1	124160-39140	BOLT 10,PIPE JOINT	1							
3	1	121252-39150	BOLT 10,PIPE JOINT	1							
4	1	129474-39200	PIPE (A) ASSY	1							
6	2	23341-150000	PIPE JOINT 15	2							
7	1	129474-39300	PIPE (B) ASSY.	1							
9	2	23341-150000	PIPE JOINT 15	2							
10	1	129474-39450	PIPE (C) ASSY.	1							
12	2	129553-39190	PIPE JOINT 10	2							
13	1	129550-39450	PIPE ASSY.	1							
15	2	129150-39150	PIPE JOINT 8	1							
16	2	129150-39180	PIPE JOINT 10	1							
17	1	129472-39600	PIPE,TORBO.	1							
18	1	129792-39610	JOINT	1							
19	1	129472-39620	ELBOW PT3/8	1							
20	1	124550-59820	BOLT 8,PIPE JOINT	1							
21	1	23000-025000	CLAMP 25	2							
22	1	43400-500410	WASHER 8	2							
23	1	23414-100000	GASKET 10	6							
24	1	23414-200000	GASKET 20	8							
25	1	23857-150000	BOLT 15,PIPE JOINT	3							
26	1	24314-000180	O-RING 4C P18.0	1							
27	1	26106-060162	BOLT M 6X 16	2							
28	1	124413-39710	BOLT 10,PIPE JOINT	1							

Fig.29.PISTON JET

Fig. 29 ピストンジェット
PISTON JET



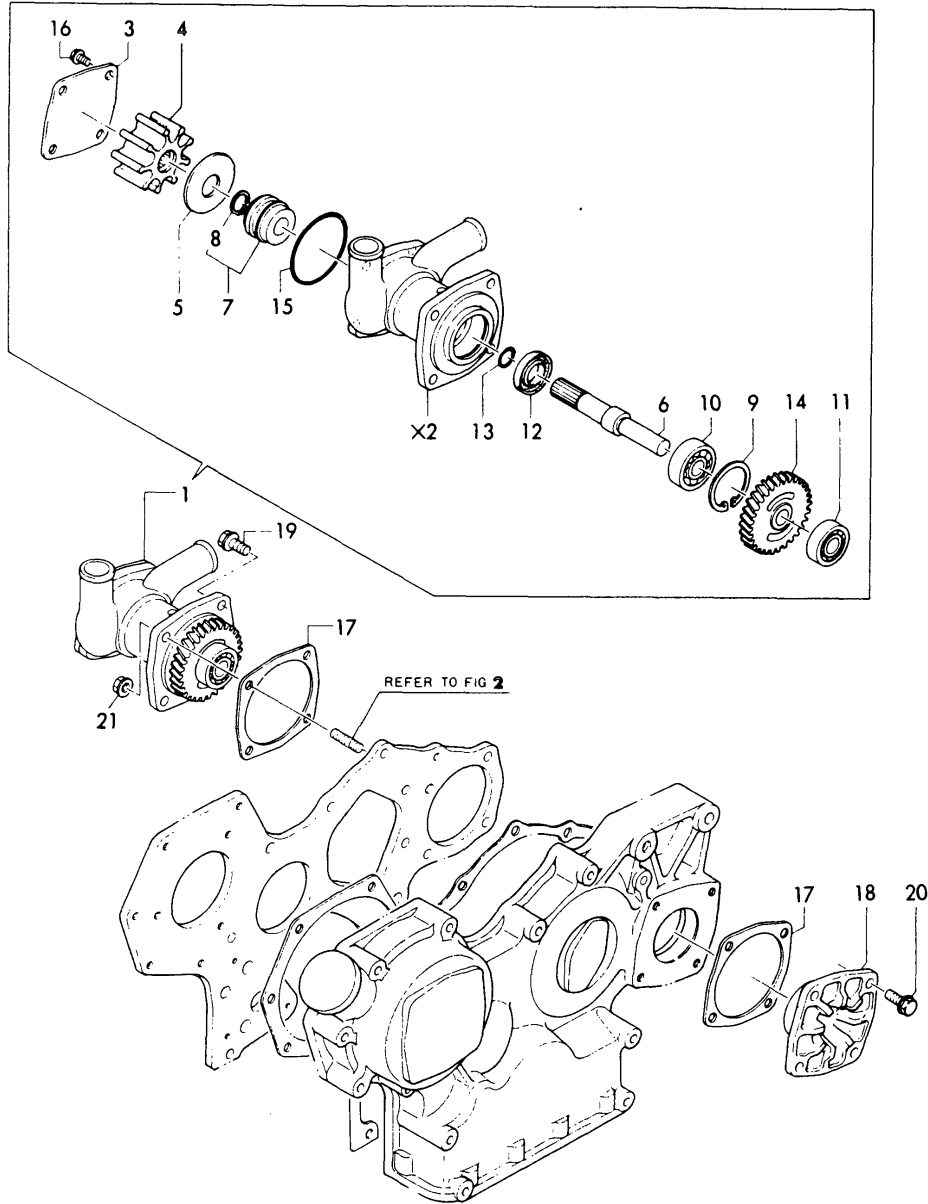
(A)=4JH-DTE
(B)=
(C)=

(D)=
(E)=
(F)=

REF.	LEV.	PARTS NO.	DESCRIPTION	Q'TY						I	R
				(A)	(B)	(C)	(D)	(E)	(F)		
1	1	129553-39650	NOZZLE	4							
2	1	23857-030000	BOLT 3,PIPE JOINT	4							
3	1	22351-030010	SPRING PIN 3X10	4							

Fig.30.COOLING SEA WATER PUMP

Fig. **30** カイスイポンプ
COOLING SEA WATER PUMP



(A)=4JH-DTE
(B)=
(C)=

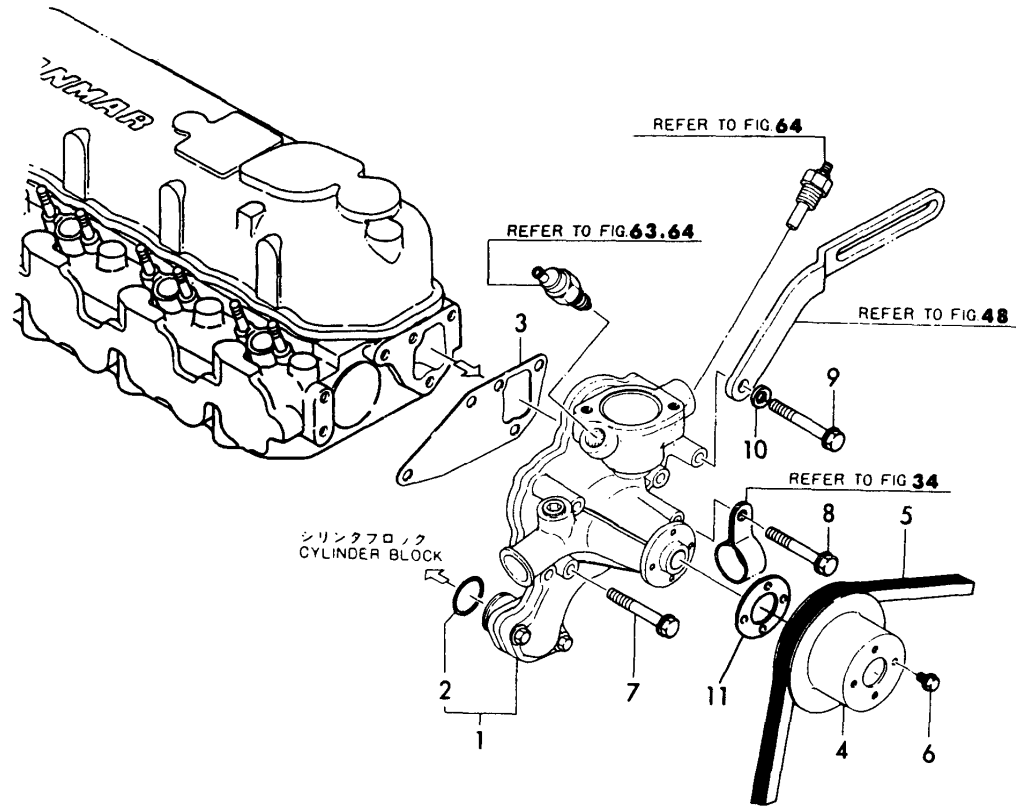
(D)=
(E)=
(F)=

REF.	LEV.	PARTS NO.	DESCRIPTION	----- QTY -----						I	R
				(A)	(B)	(C)	(D)	(E)	(F)		
1	1	129470-42500	PUMP ASSY.	1							
3	2	129470-42520	COVER	1							
4	2	129470-42530	IMPELLER	1							
5	2	129470-42540	PLATE	1							
6	2	129470-42550	SHAFT	1							
7	2	129795-42670	SEAL,WATER	1							
8	3	145410-46190	CIRCLIP	1							
9	2	22252-000420	CIRCLIP 42-H	1							
10	2	24101-063024	BEARING	1							
11	2	24101-062024	BEARING	1							
12	2	24421-203508	OIL SEAL TC20358	1							
13	2	24311-000150	O-RING	1							
14	2	129470-42700	GEAR	1							
15	2	24341-000600	O-RING 1A S60.0	1							
16	2	26203-060102	BOLT M 6X10	4							
17	1	129150-01880	GASKET	2							
18	1	129470-42800	BRACKET	1							
19	1	26106-080162	BOLT M 8X16	3							
20	1	26106-080202	BOLT M 8X20	4							
21	1	26366-080002	NUT M 8	1							

Fig.31.COOLING FRESH WATER PUMP

(A)=4JH-DTE
 (B)=
 (C)=
 (D)=
 (E)=
 (F)=

Fig. **31** セイスイポンプ
 COOLING FRESH WATER PUMP



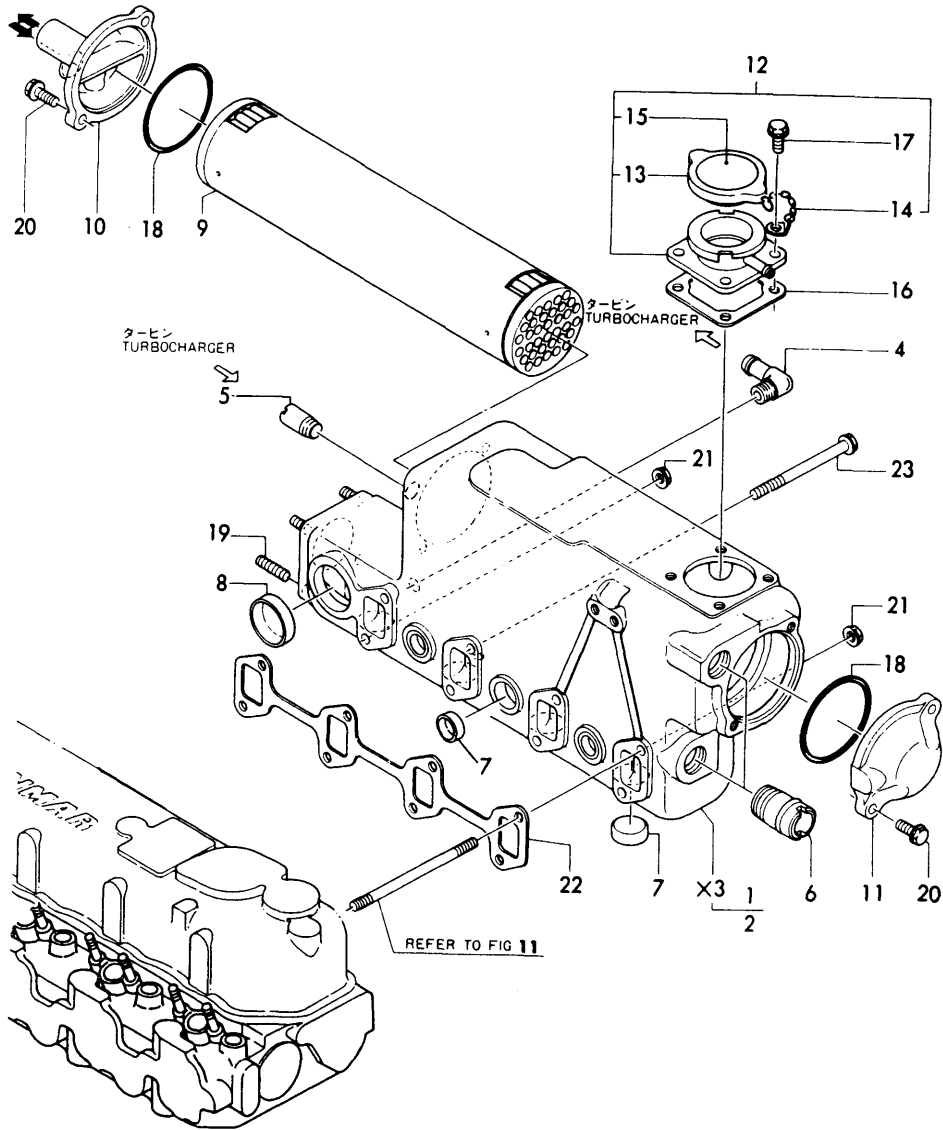
REF.	LEV.	PARTS NO.	DESCRIPTION	QTY						I	R	
				(A)	(B)	(C)	(D)	(E)	(F)			
1	1	129470-42000	PUMP ASSY.	1								
2	2	129150-42320	O-RING	1								
3	1	129150-42020	GASKET	1								
4	1	129550-42350	V-PULLEY	1								
5	1	25132-004600	V-BELT A:46INCH	1								
6	1	26106-060102	BOLT M 6X10	4								
7	1	26106-080552	BOLT M 8X55	2								
8	1	26106-080552	BOLT M 8X55	1								
9	1	26106-080652	BOLT M 8X65	1								
10	1	22217-080000	SPRING WASHER 8	1								
11	1	129156-44760	WASHER	1								

Fig.32.COOLING FRESH WATER COOLER

(A)=4JH-DTE
(B)=
(C)=

(D)=
(E)=
(F)=

Fig. **32** セイスイクーラ
COOLING FRESH WATER COOLER

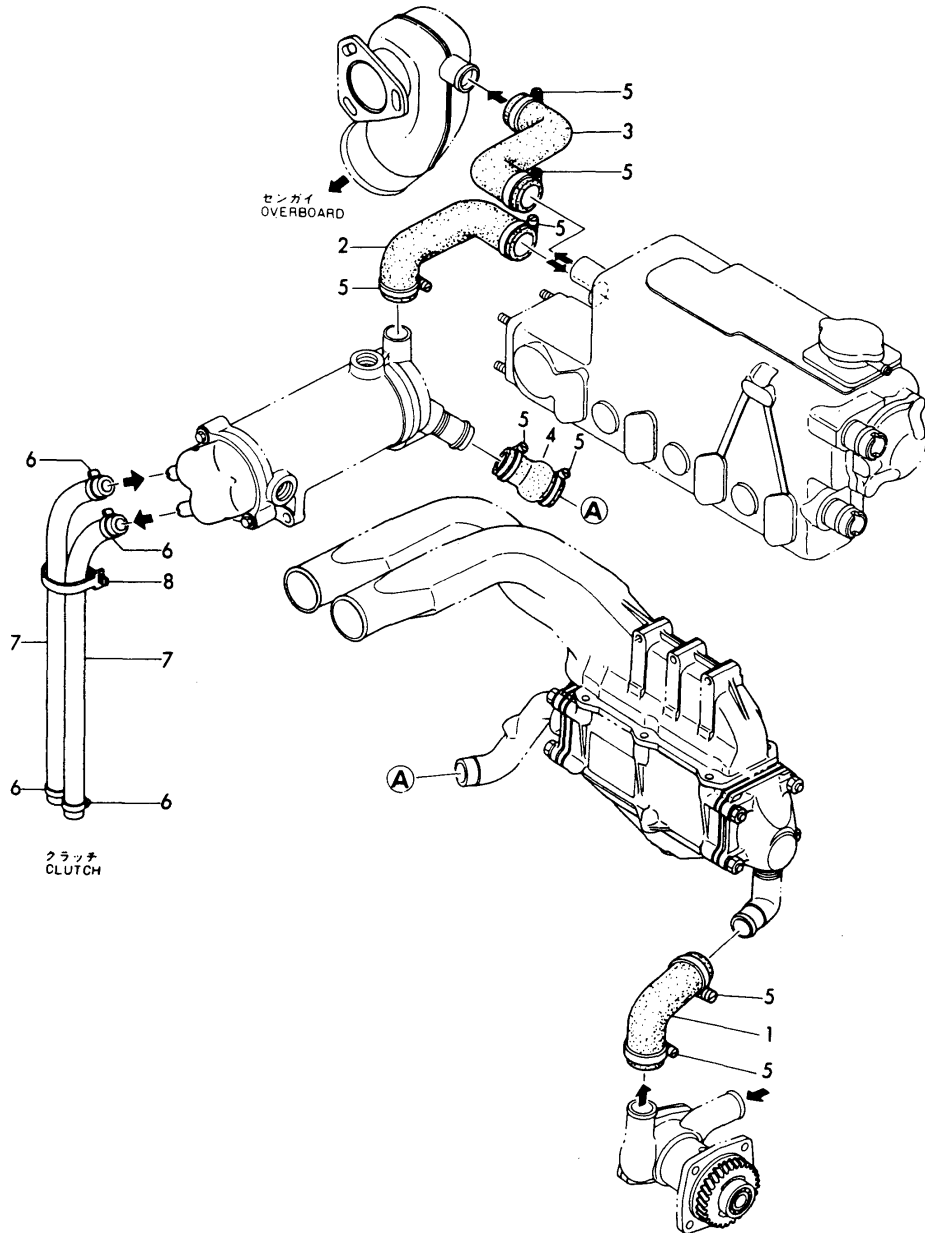


REF.	LEV.	PARTS NO.	DESCRIPTION	QTY						I	R
				(A)	(B)	(C)	(D)	(E)	(F)		
1	1	729473-44500	COOLER ASSY.	1							
2	2	129474-44000	COOLER,FRESH WATER	1							
4	3	128270-13620	ELBOW PT 3/8	1							
5	3	129474-44480	JOINT	1							
6	3	124160-49480	JOINT	2							
7	3	27241-280000	PLUG 28	7							
8	3	27241-400000	PLUG 40	1							
9	2	129473-44110	CORE ASSY.	1							
10	2	129470-44440	COVER A	1							
11	2	129470-44450	COVER B	1							
12	2	120445-44600	FILLER ASSY.	1							
13	3	123682-44210	CAP	1							
14	3	123682-44220	CHAIN	1							
15	3	120445-44620	LABEL	1							
16	2	120445-44640	GASKET	1							
17	2	26106-080142	BOLT M8X14	4							
18	2	24321-000750	O-RING 1A G75.0	2							
19	2	26213-080182	BOLT M8X18	4							
20	2	26106-080252	BOLT M8X25	4							
21	1	26366-080002	NUT M8	2							
22	1	129550-13110	GASKET	1							
23	1	26106-081002	BOLT M8X100	6							

(A)=4JH-DTE
 (B)=
 (C)=
 (D)=
 (E)=
 (F)=

Fig.33.COOLING SEA WATER LINES

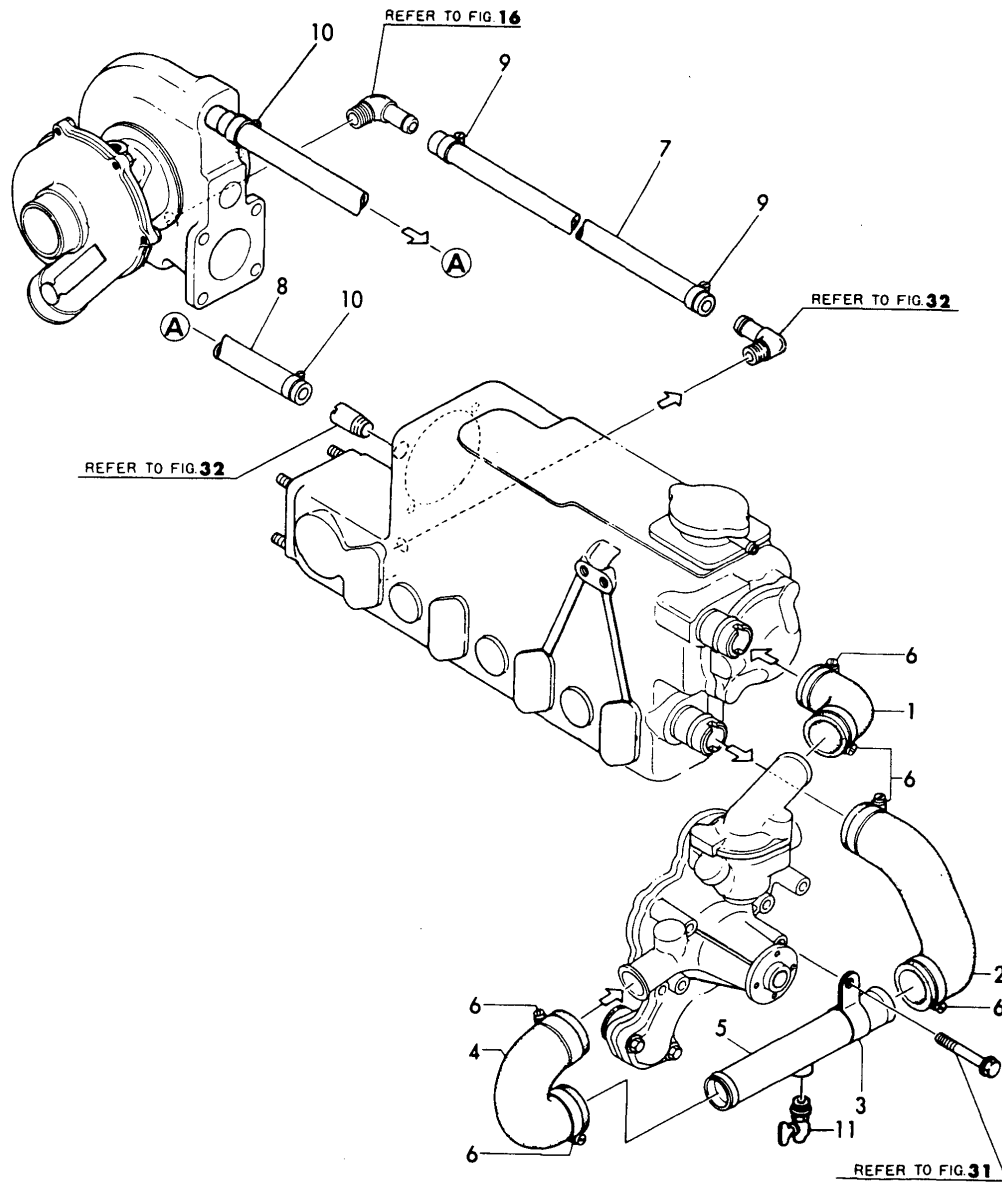
Fig. **33** CWパイプ(カイスイ)
 COOLING SEA WATER LINES



REF.	LEV.	PARTS NO.	DESCRIPTION	QTY						I	R
				(A)	(B)	(C)	(D)	(E)	(F)		
1	1	129474-49010	PIPE	1							
2	1	129474-49030	PIPE	1							
3	1	129472-49050	PIPE	1							
4	1	129474-49110	JOINT	1							
5	1	23000-035000	CLAMP 35	8							
6	1	23000-022000	CLAMP 22	4							
7	1	23072-040300	HOSE 4X30	2							

Fig.34.COOLING FRESH WATER LINES

Fig. **34** CWパイプ(セイスイ)
COOLING FRESH WATER LINES



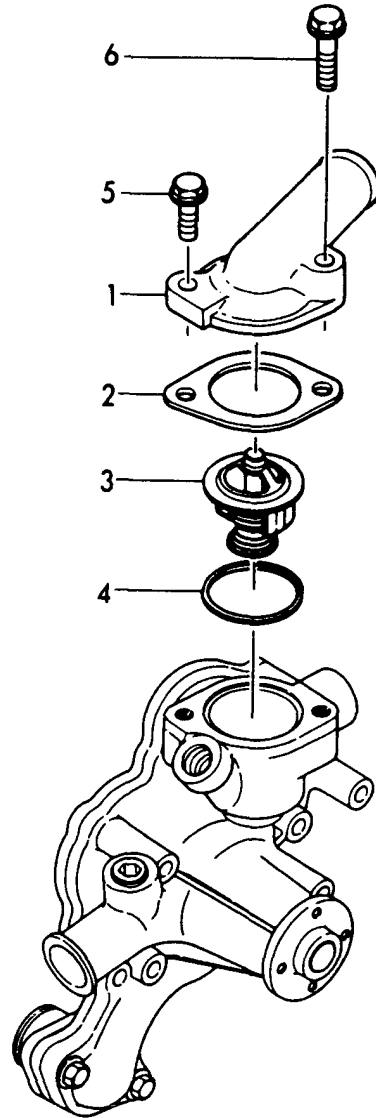
(A)=4JH-DTE
(B)=
(C)=

(D)=
(E)=
(F)=

REF.	LEV.	PARTS NO.	DESCRIPTION	QTY						I	R
				(A)	(B)	(C)	(D)	(E)	(F)		
1	1	129470-49260	JOINT	1							
2	1	129470-49200	JOINT	1							
3	1	129470-49220	CLAMP	1							
4	1	129470-49240	PIPE	1							
5	1	129470-49250	PIPE	1							
6	1	23000-041000	CLAMP 41	6							
7	1	129474-49300	PIPE A	1							
8	1	129474-49320	PIPE B	1							
9	1	23000-022000	CLAMP 22	2							
10	1	23000-025000	CLAMP 25	2							
11	1	128695-44090	COCK PT1/8	1							

Fig.35.THERMOSTAT

Fig. **35** サーモスタット
THERMOSTAT



(A)=4JH-DTE
(B)=
(C)=

(D)=
(E)=
(F)=

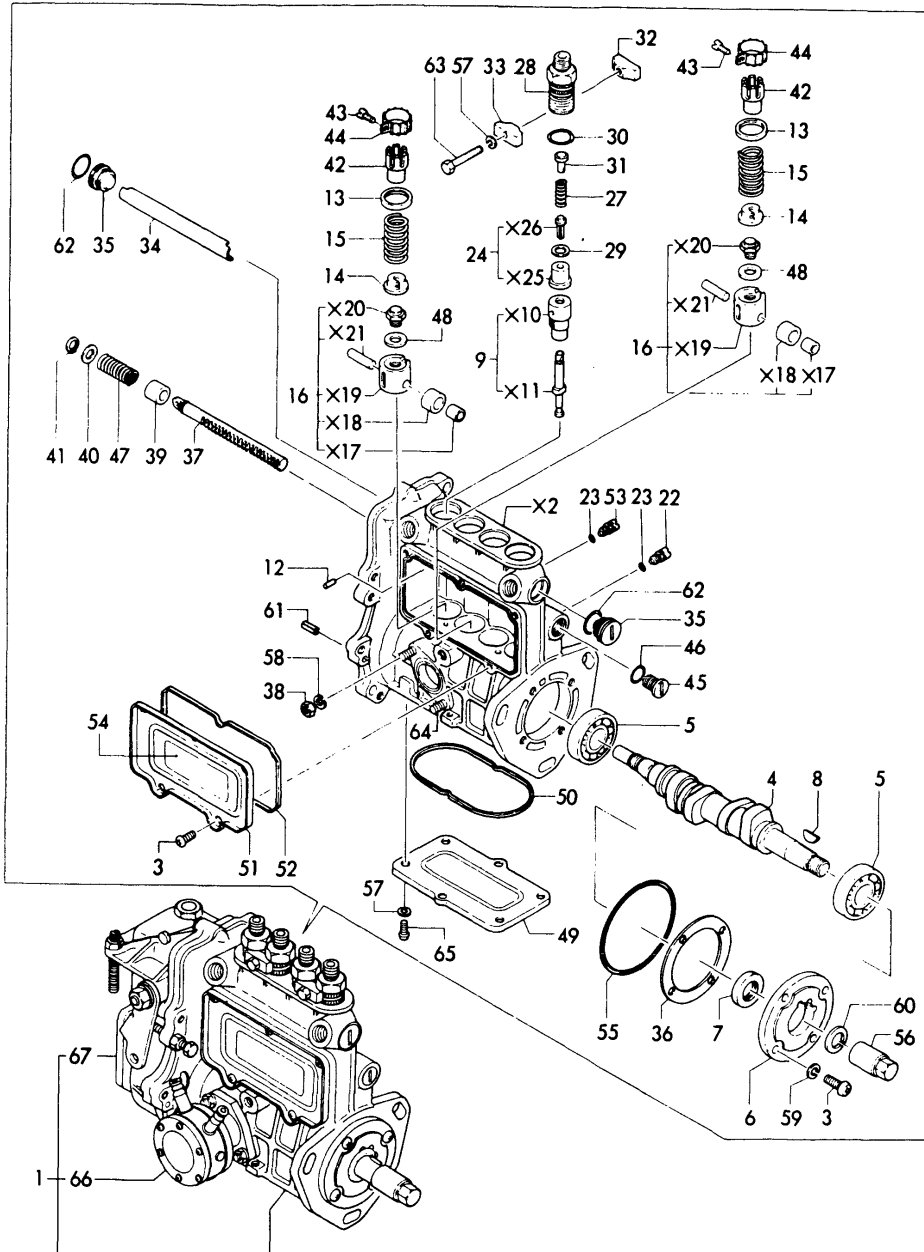
REF.	LEV.	PARTS NO.	DESCRIPTION	QTY						I	R
				(A)	(B)	(C)	(D)	(E)	(F)		
1	1	129470-49540	COVER	1							
2	1	129795-49550	GASKET	1							
3	1	129470-49801	THERMOSTAT 76.5C	1							
4	1	129150-49810	GASKET	1							
5	1	26106-080252	BOLT M 8X25	1							
6	1	26106-080352	BOLT M 8X35	1							

Fig.36.FUEL INJECTION PUMP

(A)=4JH-DTE
(B)=
(C)=

(D)=
(E)=
(F)=

Fig. **36** FOフンシャポンプ
FUEL INJECTION PUMP



REF.	LEV.	PARTS NO.	DESCRIPTION	QTY						I	R
				(A)	(B)	(C)	(D)	(E)	(F)		
1	1	729473-51350	FUEL INJECTION PUMP	1							
3	2	26557-060162	SCREW M 6X16	4							
4	2	129470-51040	CAMSHAFT	1							
5	2	122710-51050	BEARING	2							
6	2	129470-51060	RETAINER	1							
7	2	129470-51080	OIL SEAL AF0741F0	1							
8	2	122710-51090	WOODRUFF KEY	1							
9	2	129470-51101	PLUNERR W/BARREL	4							
12	2	129155-51140	PIN	4							
13	2	174307-51170	RETAINER A	4							
14	2	129155-51180	SEAT	4							
15	2	124950-51190	SPRING	4							
16	2	129155-51200	TAPPET ASSY.	4							
22	2	129155-51270	LOCK SCREW	4							
23	2	129155-51280	O-RING S6.0	4							
24	2	129499-51300	VALVE W/SEAT	4							
27	2	129155-51320	SPRING	4							
28	2	129155-51340	RETAINER	4							
29	2	124550-51350	GASKET	4							
30	2	124550-51370	O-RING	4							
31	2	129155-51370	STOPPER	4							
32	2	129155-51380	RETAINER (A)	2							
33	2	129155-51390	RETAINER (B)	2							
34	2	129555-51400	DEFLECTER	1							
35	2	129155-51410	LOCK BOLT	2							
36	2	129155-51450	SHIM SET	1							
37	2	129555-51500	RACK	1							
38	2	26716-060002	NUT M 6	2							
39	2	129155-51520	BUSH	1							
40	2	129155-51530	SPACER	1							
41	2	129155-51540	CIRCLIP	1							
42	2	129155-51550	PINION (B)	4							
43	2	122117-51560	LOCK SCREW	4							
44	2	174307-51560	PINION	4							
45	2	129155-51570	PLUG	1							
46	2	129155-51580	O-RING	1							
47	2	129155-51590	SPRING	1							
48	2	129155-51600	SHIM SET	1							
49	2	129555-51700	COVER	1							
50	2	129555-51710	GASKET	1							
51	2	129555-51750	COVER	1							
52	2	129555-51760	GASKET	1							
53	2	129155-51790	SCREW	1							
54	2	129156-51910	LABEL	1							
55	2	121850-51960	O-RING	1							
56	2	121850-61380	LOCK NUT	1							
57	2	22217-050000	SPRING WASHER 5	8							
58	2	22217-060000	SPRING WASHER 6	2							
59	2	22287-060000	WASHER 6	4							
60	2	22287-120000	WASHER 12	1							
61	2	22351-050010	SPRING PIN 5X10	2							
62	2	24341-000160	O-RING 1A S16.0	2							
63	2	26116-050309	BOLT M 5X30	2							
64	2	26216-060142	STUD M 6X14	2							

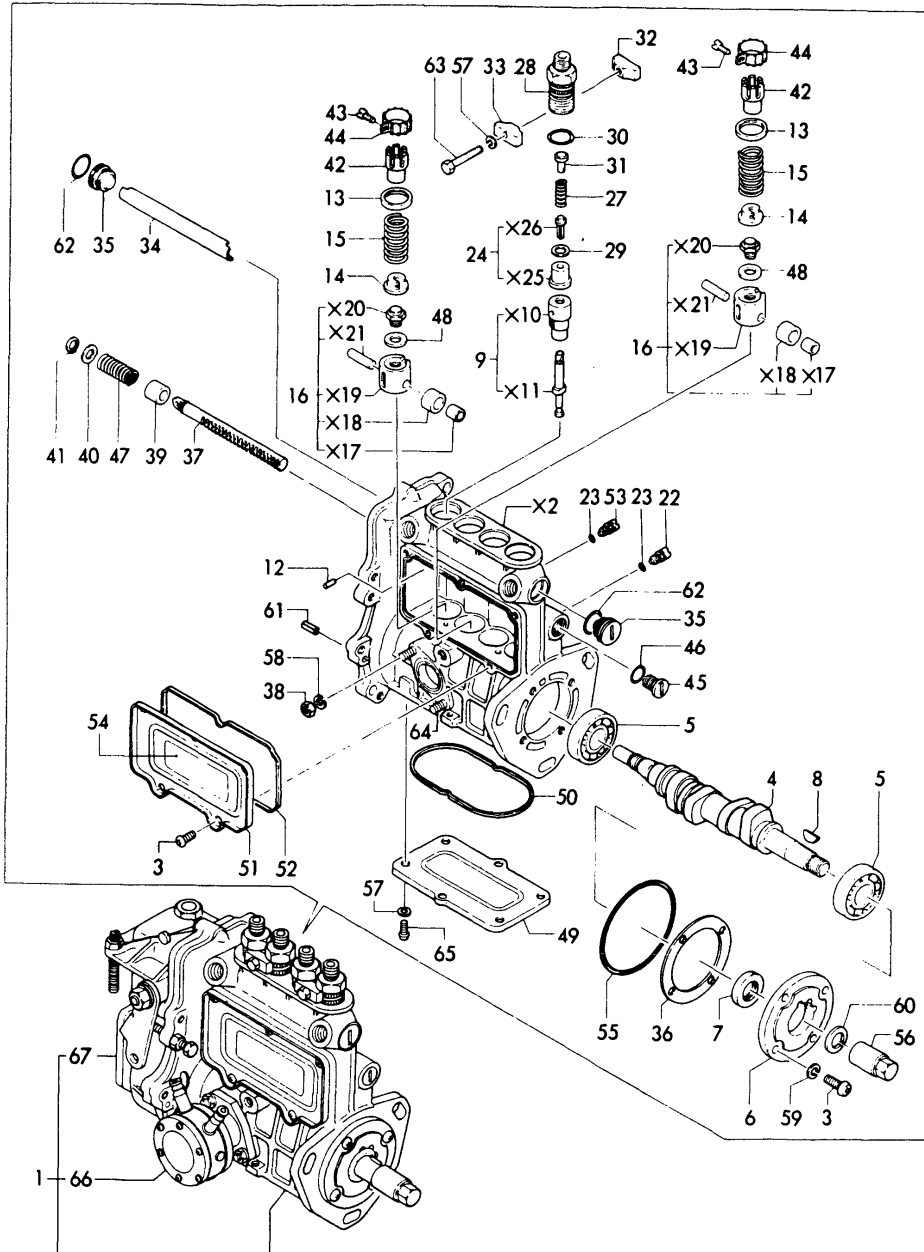
++ CONTINUE ++

(A)=4JH-DTE
(B)=
(C)=

(D)=
(E)=
(F)=

Fig.36.FUEL INJECTION PUMP

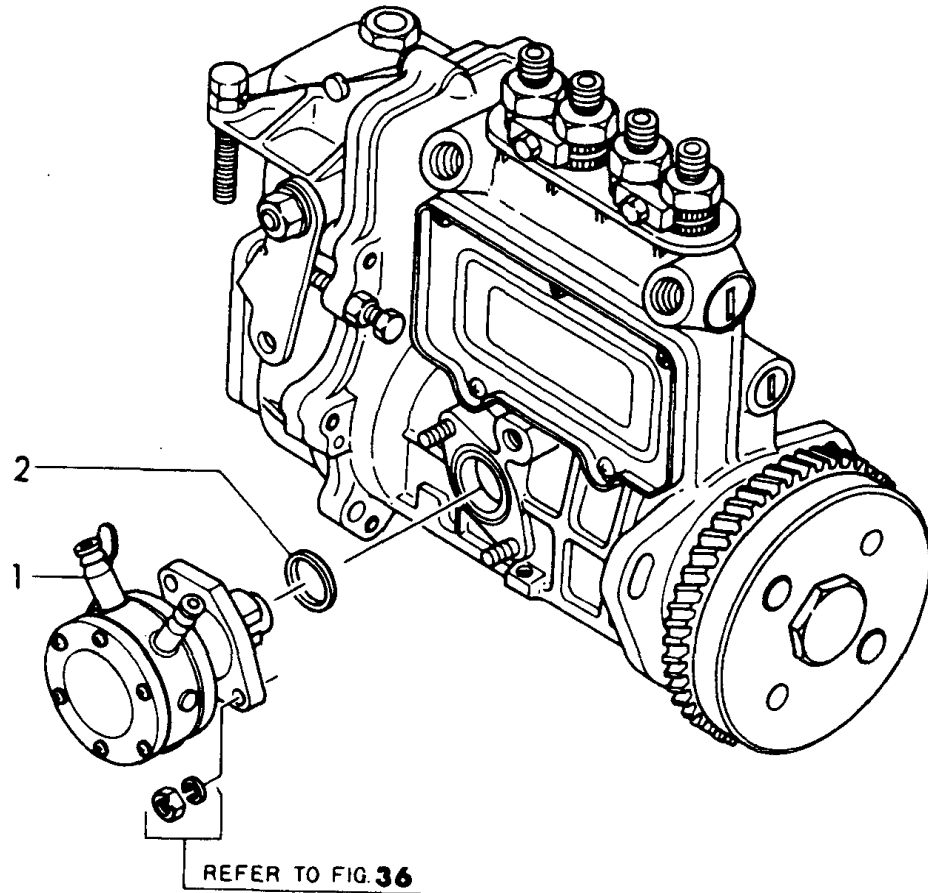
Fig. **36** FOフンシャポンプ
FUEL INJECTION PUMP



REF.	LEV.	PARTS NO.	DESCRIPTION	QTY						I R
				(A)	(B)	(C)	(D)	(E)	(F)	
65	2	26557-050102	SCREW M 5X10	6						
66	2	*REF. 37	FUEL FEED PUMP	1						
67	2	*REF. 44	GOVERNOR	1						

Fig.37.FUEL FEED PUMP

Fig. **37** FOフィードポンプ
FUEL FEED PUMP



(A)=4JH-DTE
(B)=
(C)=

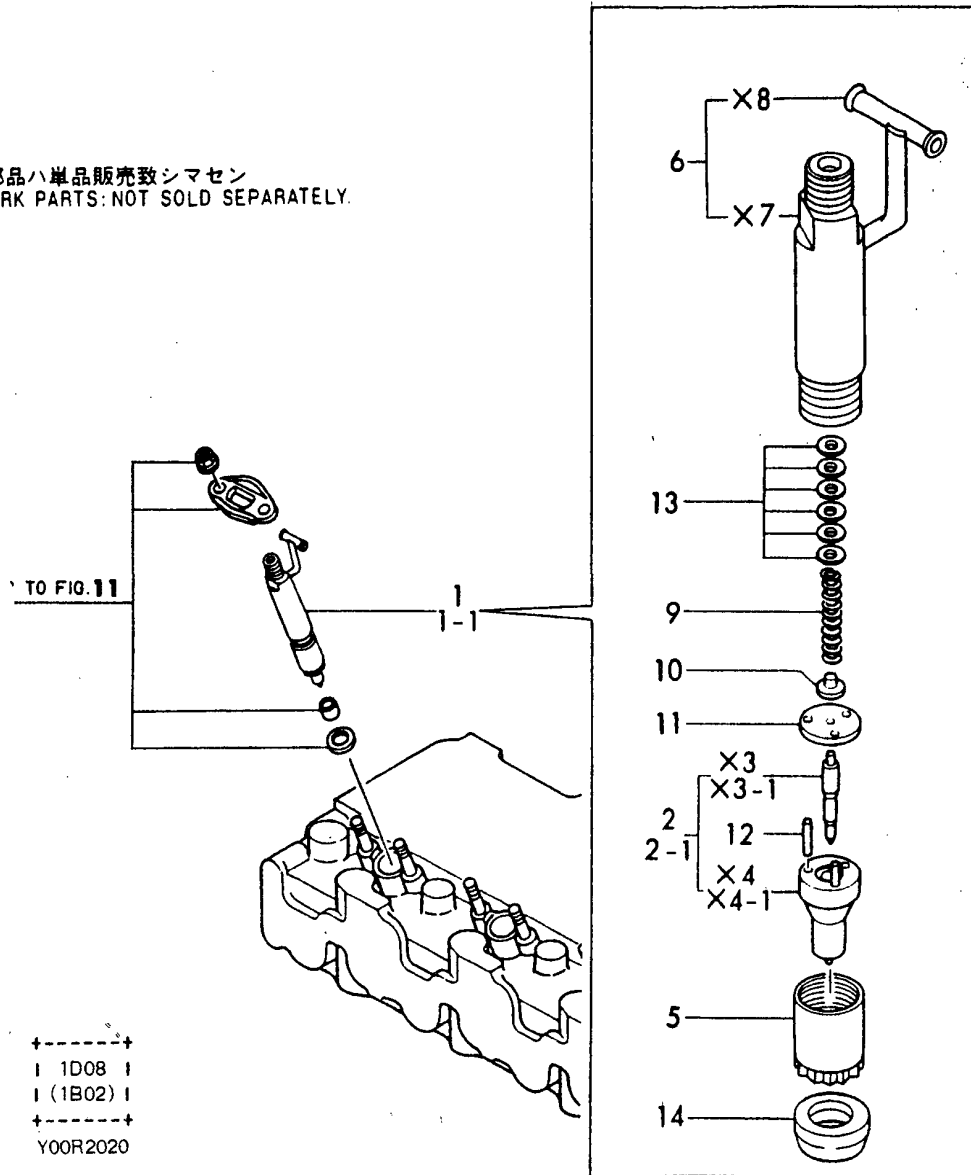
(D)=
(E)=
(F)=

REF.	LEV.	PARTS NO.	DESCRIPTION	QTY						I	R	
				(A)	(B)	(C)	(D)	(E)	(F)			
1	2	129158-52100	FUEL FEED PUMP ASSY.	1								
2	2	129155-52050	GASKET	1								

Fig.38.FUELINJECTION VALVE

Fig. **38** FOファンシャベン
FUEL INJECTION VALVE

X印部品ハ単品販売致シマセン
X-MARK PARTS: NOT SOLD SEPARATELY.



-----+
| 1D08 |
| (1B02) |
-----+
Y00R2020

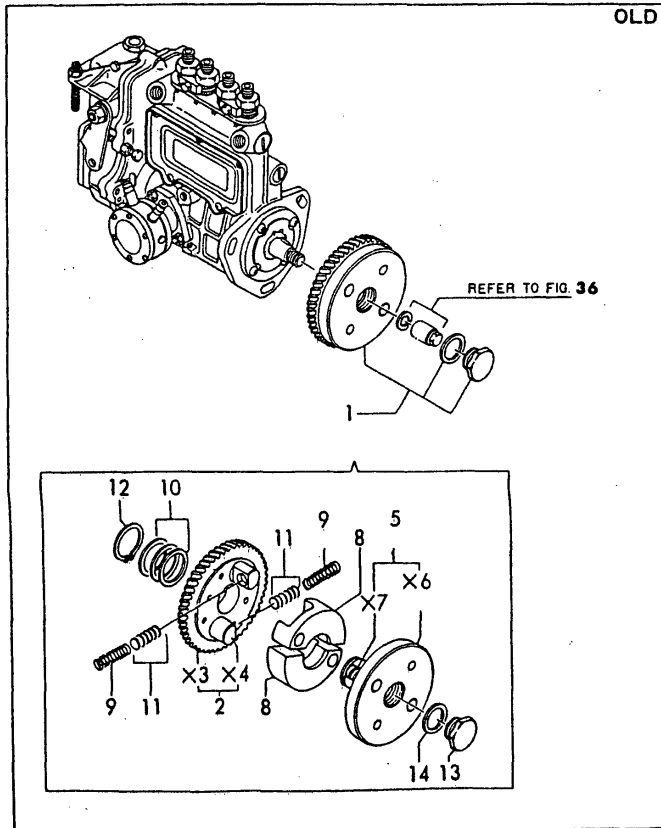
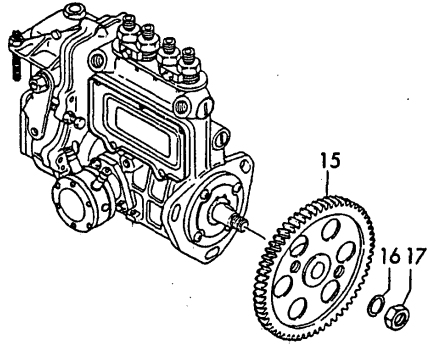
(A)=4JH-DTE
(B)=
(C)=

(D)=
(E)=
(F)=

REF.	LEV.	PARTS NO.	DESCRIPTION	QTY						I	R
				(A)	(B)	(C)	(D)	(E)	(F)		
1	1	729499-53102	FUEL INJECTION VALVE	4							A
I 1-1	1	729595-53100	FUEL INJECTION VALVE	4							N B
(A=*1986.12)											
2	2	129499-53002	VALVE W/BODY	4							
I 2-1	2	129595-53000	VALVE W/BODY	4							S
(A=*1986.12)											
5	2	114250-53080	CAP NUT	4							
6	2	129100-53100	HOLDER	4							
9	2	114250-53120	SPRING	4							
10	2	114250-53130	SEAT, SPRING	4							
11	2	114250-53140	PLATE, STOP	4							
12	2	114250-53210	PIN	8							
13	2	114250-53400	SHIM SET	4							
I 14	2	129470-11920	GASKET	4							W
(A=*1986.05)											

Fig.39.TIMER

Fig. **39** タイマ
TIMER



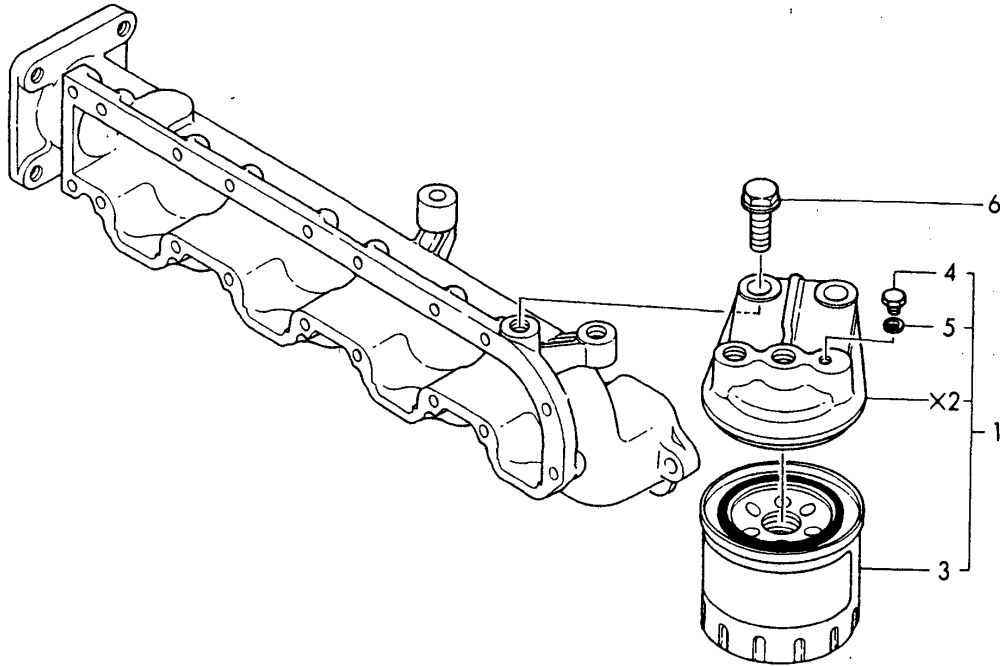
(A)=4JH-DTE
(B)=
(C)=

(D)=
(E)=
(F)=

REF.	LEV.	PARTS NO.	DESCRIPTION	QTY						I	R	
				(A)	(B)	(C)	(D)	(E)	(F)			
I	1	729499-54100 (A=E/#31394)	TIMER ASSY.	1							Z	A
I	2	129470-54510 (A=E/#31394)	GEAR W/PIN	1							Z	
I	5	129499-54550 (A=E/#31394)	HUB W/PIN	1							Z	
I	8	129470-54650 (A=E/#31394)	WEIGHT, TIMER	2							Z	
I	9	129795-54800 (A=E/#31394)	SPRING, TIMER	2							Z	
I	10	119620-54900 (A=E/#31394)	SHIM SET	1							Z	
I	11	121850-54900 (A=E/#31394)	SHIM SET	2							Z	
I	12	22242-000320 (A=E/#31394)	CIRCLIP 32-S	1							Z	
I	13	124410-54940 (A=E/#31394)	PLUG	1							Z	
I	14	23414-240031 (A=E/#31394)	GASKET 24	1							Z	
I	15	129573-25900 (A=E/#31394)	GEAR, FUEL INJ. PUMP	1							W	
I	16	22217-120000 (A=E/#31394)	SPRING WASHER 12	1							W	
I	17	26716-120002 (A=E/#31394)	NUT M12	1							W	

Fig.40.FUEL STRAINER

Fig. **40** FOフィルタ
FUEL STRAINER



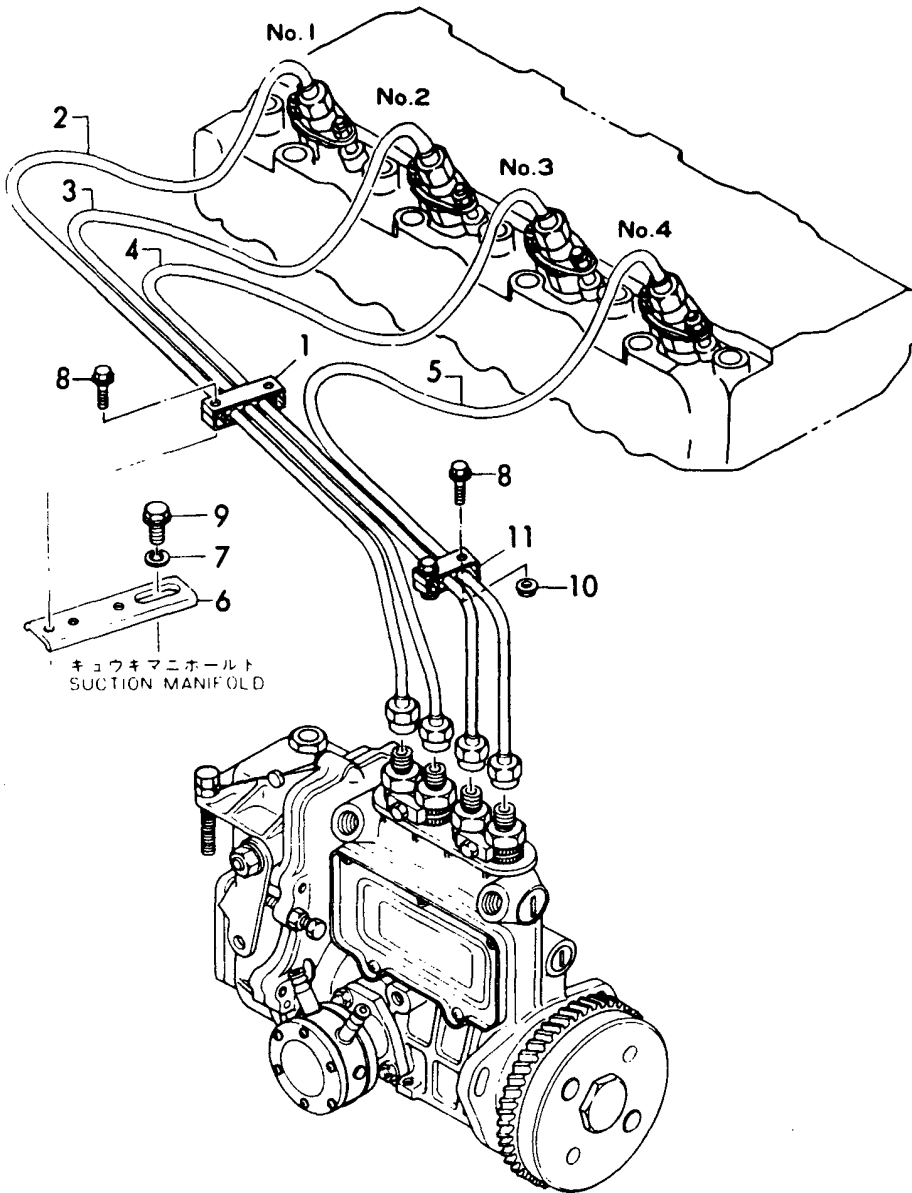
(A)=4JH-DTE
(B)=
(C)=

(D)=
(E)=
(F)=

REF.	LEV.	PARTS NO.	DESCRIPTION	QTY						I R
				(A)	(B)	(C)	(D)	(E)	(F)	
1	1	129470-55600	FILTER ASSY., FUEL	1						
3	2	129470-55700	FILTER	1						
4	2	124060-59380	PLUG M 6	1						
5	2	43400-500390	SEAL WASHER 6S	1						
6	1	26106-100302	BOLT M10X30	2						

Fig.41.FUEL INJECTION LINES

Fig. **41** FOフンシャパイプ
FUEL INJECTION LINES



(A)=4JH-DTE
(B)=
(C)=

(D)=
(E)=
(F)=

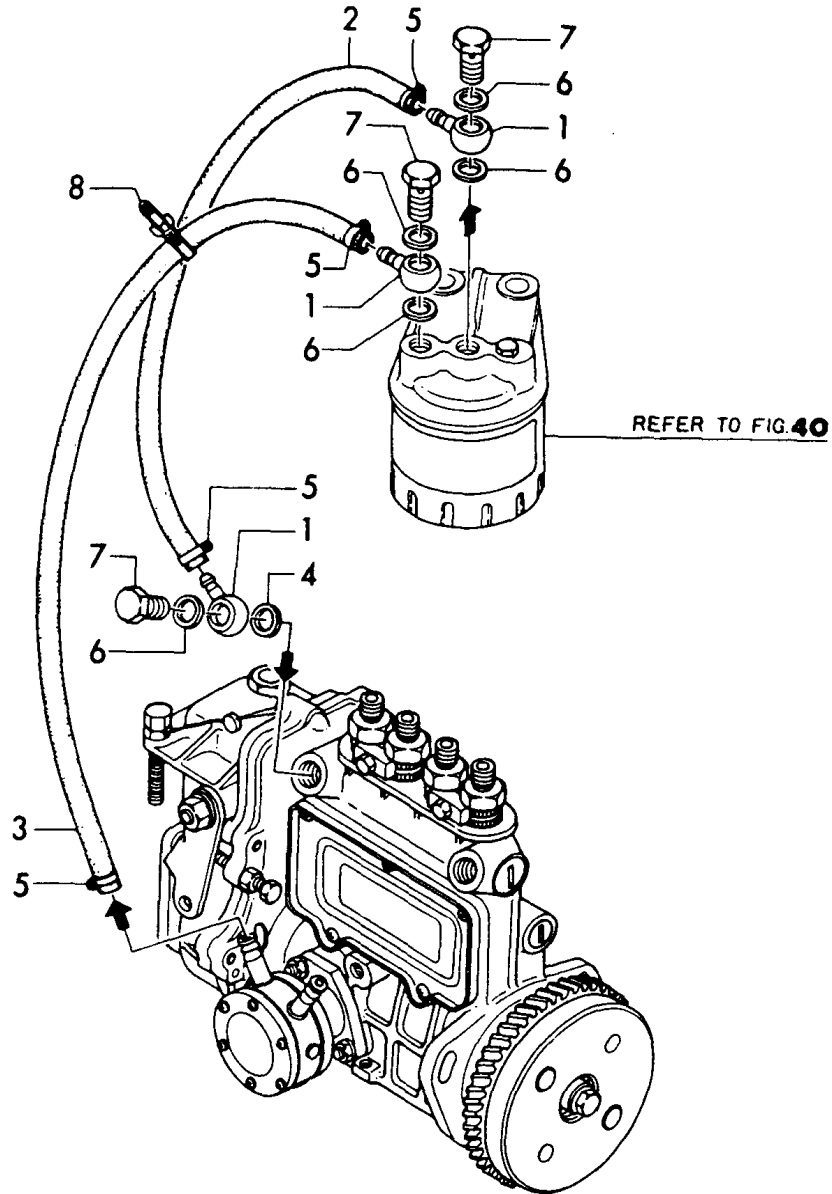
REF.	LEV.	PARTS NO.	DESCRIPTION	QTY						I	R	
				(A)	(B)	(C)	(D)	(E)	(F)			
1	1	123372-59100	CLAMP		2							
2	1	129499-59811	PIPE,FUEL INJECTION		1							
3	1	129499-59821	PIPE,FUEL INJECTION		1							
4	1	129499-59831	PIPE,FUEL INJECTION		1							
5	1	129499-59841	PIPE,FUEL INJECTION		1							
6	1	121870-59930	BRACKET		1							
7	1	22217-080000	SPRING WASHER 8		1							
8	1	26106-060202	BOLT M 6X20		4							
9	1	26106-080202	BOLT M 8X20		1							
10	1	26366-060002	NUT M 6		2							
11	1	122780-59100	CLAMP		2							

Fig.42.FUEL LINES

(A)=4JH-DTE
(B)=
(C)=

(D)=
(E)=
(F)=

Fig.42 FOパイプ
FUEL LINES



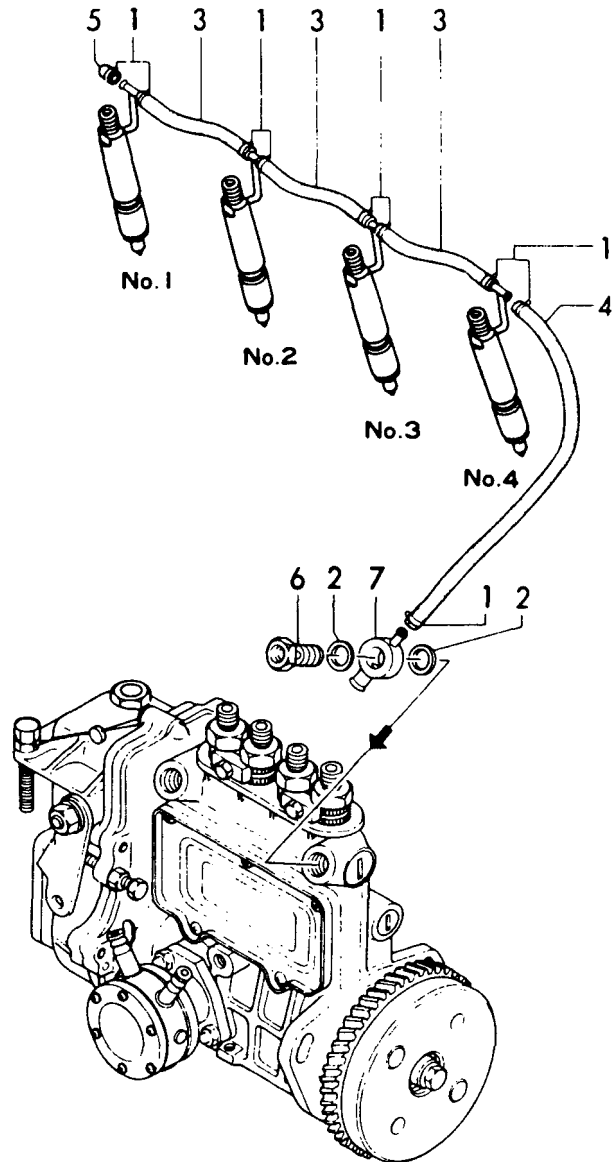
REF.	LEV.	PARTS NO.	DESCRIPTION	QTY						I	R
				(A)	(B)	(C)	(D)	(E)	(F)		
1	1	104264-59020	PIPE JOINT 12	3							
2	1	105582-59540	PIPE L300	1							
3	1	129470-59120	PIPE L350	1							
4	1	104200-59170	GASKET 12	1							
5	1	23080-013000	CLAMP 13	4							
6	1	23414-120000	GASKET 12	5							
7	1	23857-060000	BOLT 6, PIPE JOINT	3							
8	1	121750-59890	CLAMP	1							

Fig.43.FUEL RETURN LINES

(A)=4JH-DTE
(B)=
(C)=

(D)=
(E)=
(F)=

Fig. **43** FOモドシパイプ
FUEL RETURN LINES



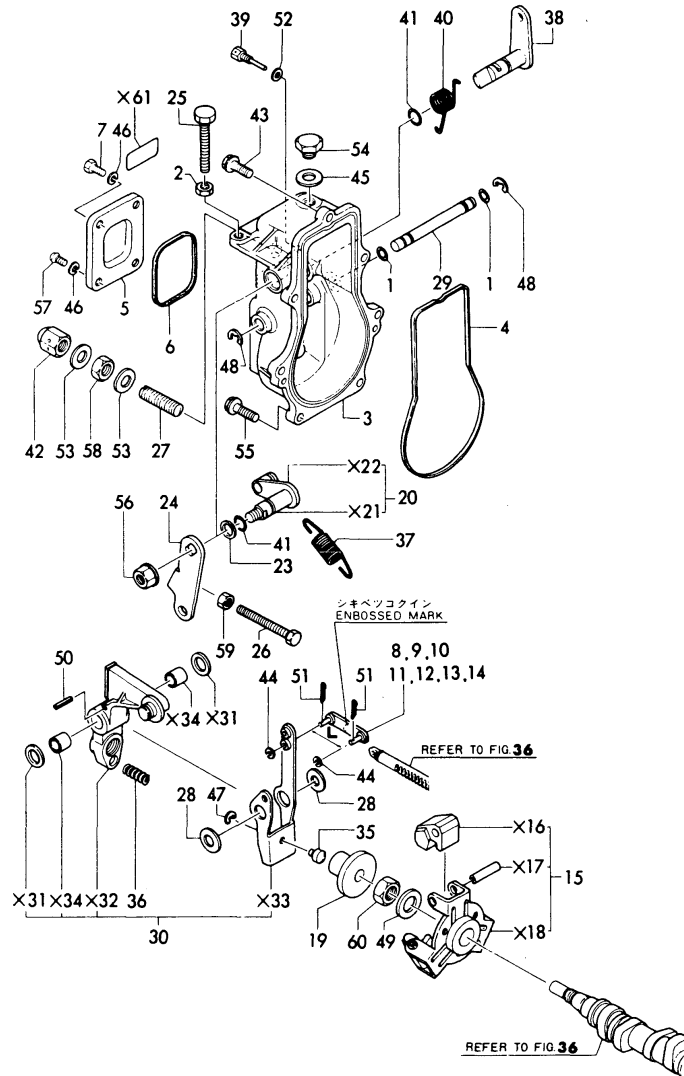
REF.	LEV.	PARTS NO.	DESCRIPTION	QTY						I	R
				(A)	(B)	(C)	(D)	(E)	(F)		
1	1	124066-59100	CLAMP 8						9		
2	1	104200-59170	GASKET 12						2		
3	1	121250-59550	PIPE L120						3		
4	1	129470-59560	PIPE L260						1		
5	1	129150-59580	CAP						1		
6	1	129100-59950	VALVE SET						1		
7	1	129100-59990	JOINT						1		

Fig.44.GOVERNOR

(A)=4JH-DTE
(B)=
(C)=

(D)=
(E)=
(F)=

Fig.44 ガバナ GOVERNOR



REF.	LEV.	PARTS NO.	DESCRIPTION	QTY						I	R
				(A)	(B)	(C)	(D)	(E)	(F)		
1	2	129155-51280	O-RING S6.0	2							
2	2	124550-66370	LOCK NUT	1							
3	2	129155-61010	HOUSING, GOVERNOR	1							
4	2	129155-61050	GASKET	1							
5	2	129155-61060	COVER	1							
6	2	129155-61070	GASKET	1							
7	2	129155-61090	BOLT	1							
8	2	129155-61120	LINK L30 (MARK 0	1							A
9	2	129155-61130	LINK L31 (MARK 1	1							A
10	2	129155-61140	LINK L32 (MARK 2	1							A
11	2	129155-61150	LINK L33 (MARK 3	1							A
12	2	129155-61160	LINK L34 (MARK 4	1							A
13	2	129155-61170	LINK L28 (MARK 8	1							A
14	2	129155-61180	LINK L29 (MARK 9	1							A
15	2	129155-61201	WEIGHT ASSY.	1							
19	2	129155-61341	SLEEVE	1							
20	2	129155-61400	SHAFT ASSY.,CONTROL	1							
23	2	129155-61430	SPACER	1							
24	2	129470-61440	LEVER	1							
25	2	129470-61450	SCREW, ADJUSTING	1							
26	2	129155-61460	SCREW, ADJUSTING	1							
27	2	129155-61470	SCREW, ADJUSTING	1							
28	2	129155-61480	SPACER	2							
29	2	129155-61490	SHAFT	1							
30	2	129155-61500	LEVER ASSY.	1							
35	2	129155-61540	SHIFTER	1							
36	2	129499-61650	SPRING	1							
37	2	129470-61700	SPRING	1							
I 37-1	2	129473-61700	SPRING	1							N
(A=*1985.09)											
38	2	129470-61800	LEVER	1							
39	2	129155-61810	PIN	1							
40	2	129155-61820	SPRING	1							
41	2	129155-61830	O-RING	3							
42	2	129100-61930	CAP NUT	1							
43	2	129155-61950	BOLT	1							
44	2	22117-040000	WASHER 4	2							
45	2	22190-100000	SEAL WASHER 10	1							
46	2	22217-050000	SPRING WASHER 5	4							
47	2	22272-000040	SNAP RING E4	1							
48	2	22272-000060	SNAP RING E6	2							
49	2	22282-120000	WASHER 12	1							
50	2	22351-030016	SPRING PIN 3X6	1							
51	2	22360-050000	SNAP PIN	2							
52	2	23414-050000	GASKET 5	1							
53	2	43400-500450	WASHER 12	2							
54	2	23887-100002	PLUG M10	1							
55	2	26107-060202	BOLT M 6X20	6							
56	2	26366-080002	NUT M 8	1							
57	2	26557-050102	SCREW M 5X10	3							
58	2	26777-120002	LOCK NUT M12	1							
59	2	26756-060002	LOCK NUT M 6	1							
60	2	26776-120002	LOCK NUT M12	1							

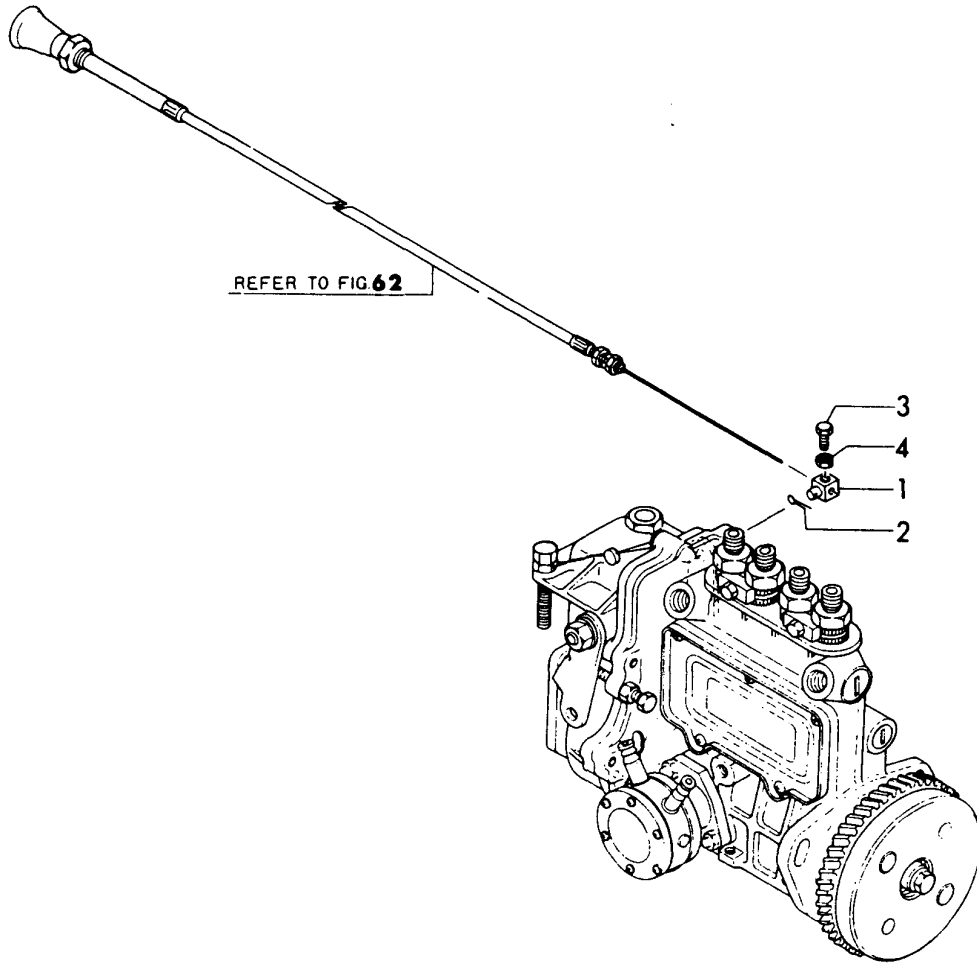
Remarks
A) SELECTIVE PARTS : CERTAIN THE CLASSIFICATION MARK , THEN PLACE YOUR ORDER.(REFER TO ILLUSTRATION)

Fig.45.ENGINE STOP DEVICE

(A)=4JH-DTE
(B)=
(C)=

(D)=
(E)=
(F)=

Fig.45 キカンテイシソウチ
ENGINE STOP DEVICE



REF.	LEV.	PARTS NO.	DESCRIPTION	QTY						I	R	
				(A)	(B)	(C)	(D)	(E)	(F)			
1	1	129795-67310	BRACKET	1								
2	1	22414-250150	COTTER PIN 2.5X15	1								
3	1	26116-050142	BOLT M 5X14	1								
4	1	26756-050002	LOCK NUT M 5	1								

(A)=4JH-DTE

(D)=

(B)=

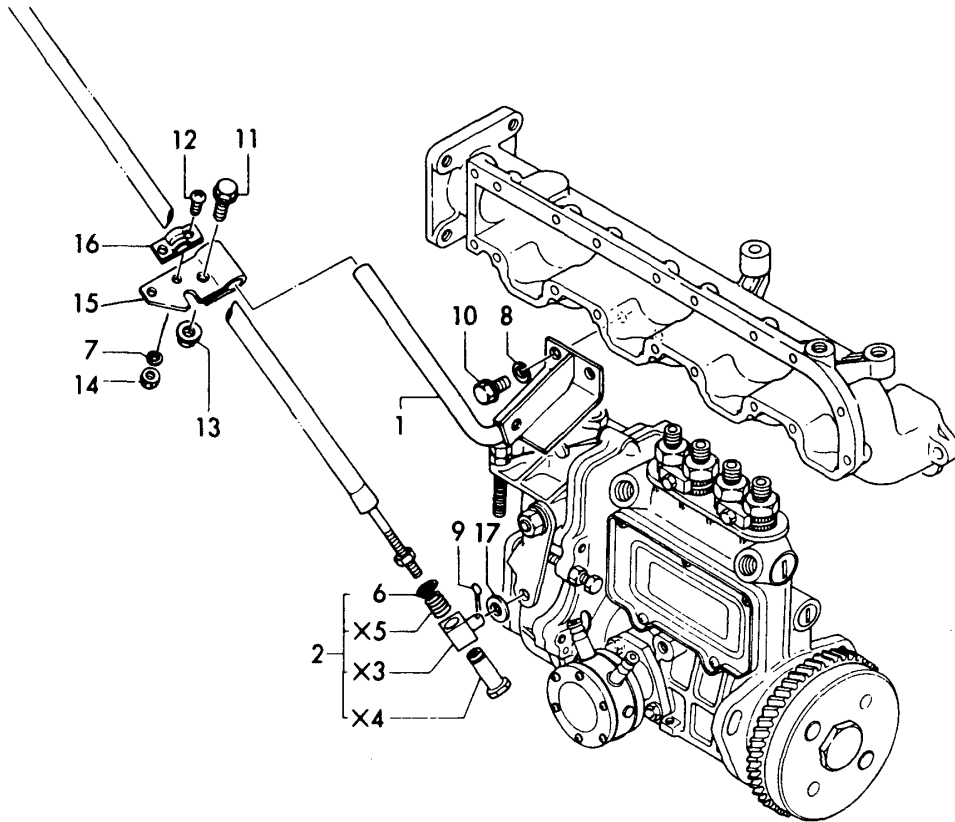
(E)=

(C)=

(F)=

Fig.46.SPEED REMOTE CONTROL DEVICE

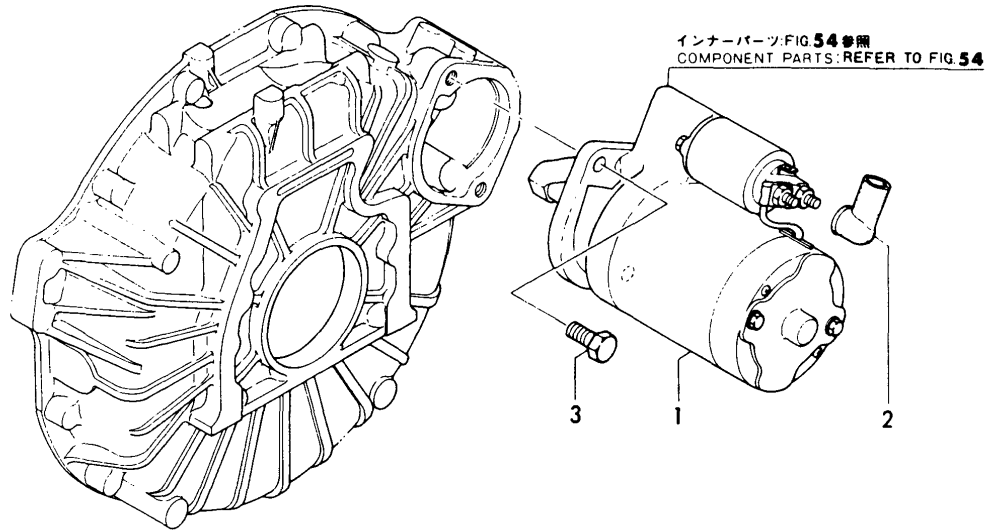
Fig.46 スピードコントロールソウチ
SPEED REMOTE CONTROL DEVICE



REF.	LEV.	PARTS NO.	DESCRIPTION	QTY						I	R
				(A)	(B)	(C)	(D)	(E)	(F)		
1	1	129470-67100	BRACKET	1							
2	1	129795-67200	CONNECTOR ASSY.	1							
6	2	22242-000100	CIRCLIP 10-S	1							
7	1	22217-050000	SPRING WASHER 5	2							
8	1	22217-080000	SPRING WASHER 8	2							
9	1	22414-250150	COTTER PIN 2.5X15	1							
10	1	26106-080122	BOLT M 8X12	2							
11	1	26106-080252	BOLT M 8X25	1							
12	1	26557-050122	SCREW M 5X12	2							
13	1	26366-080002	NUT M 8	1							
14	1	26716-050002	NUT M 5	2							
15	1	41701-001720	BRACKET	1							
16	1	41710-000410	CLAMP	1							
17	1	23414-080000	GASKET 8	1							

Fig.47.STARTING MOTOR

Fig. **47** スターティングモータ
STARTING MOTOR



Y00R2020 47.STARTING MOTOR

(A)=4JH-DTE (D)=
 (B)= (E)=
 (C)= (F)=

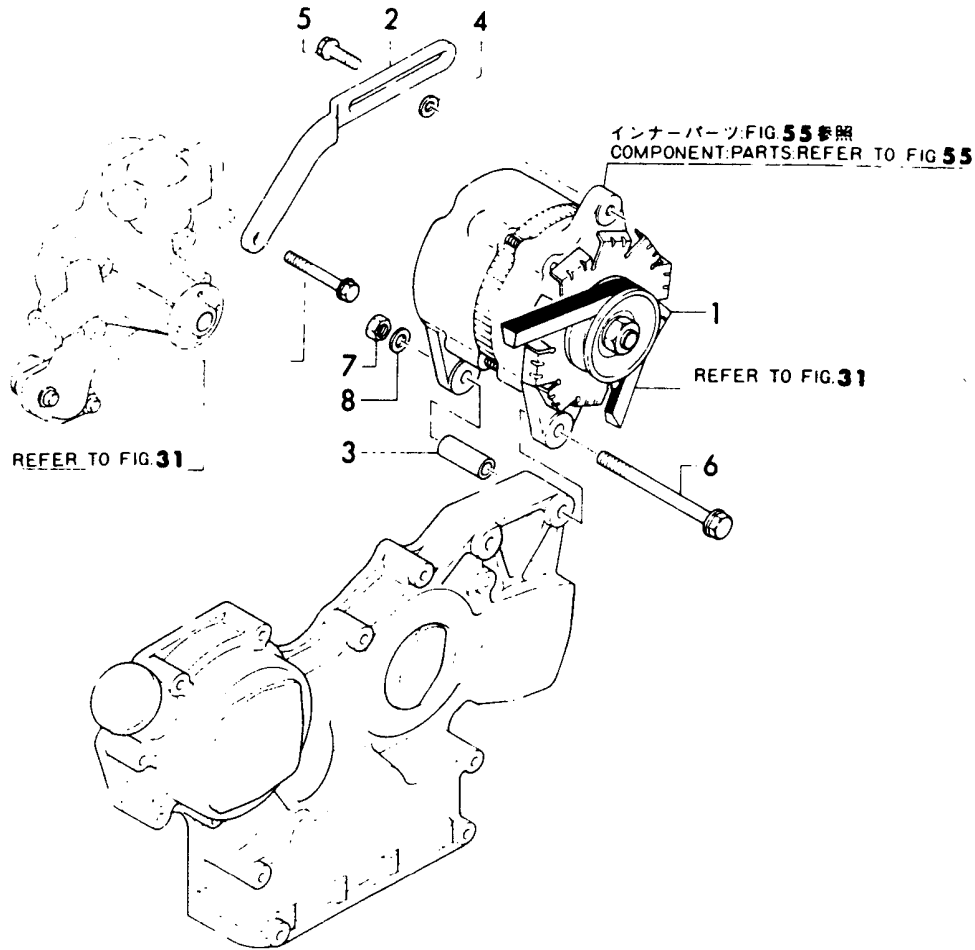
REF.	LEV.	PARTS NO.	DESCRIPTION	Q'TY						I	R	
				(A)	(B)	(C)	(D)	(E)	(F)			
1	1	124250-77012	STARTER 12V-1.8KW	1								
2	1	124550-77030	COVER, TERMINAL	1								
3	1	26116-120302	BOLT M12X30	2								

Fig.48.GENERATOR

(A)=4JH-DTE
(B)=
(C)=

(D)=
(E)=
(F)=

Fig. **48** ゼネレータ
GENERATOR

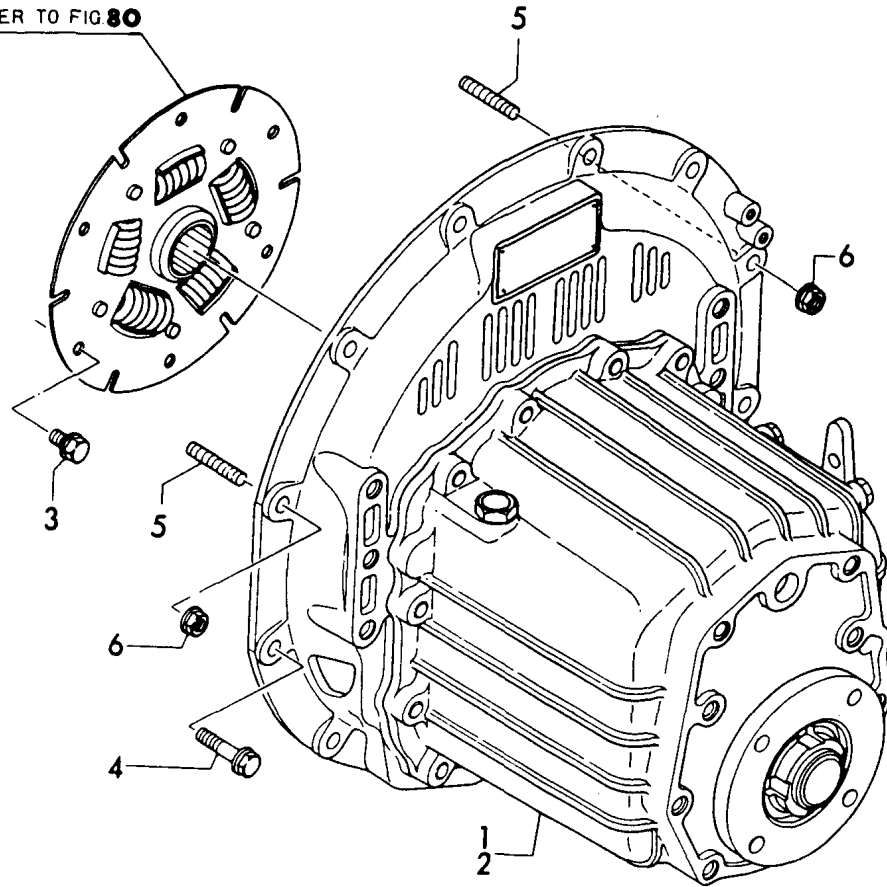


REF.	LEV.	PARTS NO.	DESCRIPTION	QTY						I	R	
				(A)	(B)	(C)	(D)	(E)	(F)			
1	1	129772-77200	GENERATOR 12V-600W	1								
2	1	129470-77330	ADJUSTER	1								
3	1	129470-77340	PEACE	1								
4	1	22137-080000	WASHER 8	1								
5	1	26106-080252	BOLT M 8X 25	1								
6	1	26106-101152	BOLT M10X115	1								
7	1	26716-100002	NUT M10	1								
8	1	22137-100000	WASHER 10	1								

Fig.49.CLUTCH (KBW-21)

Fig. **49** クラッチ (KBW-21)
CLUTCH (KBW-21)

REFER TO FIG.80



(A)=4JH-DTE
(B)=
(C)=

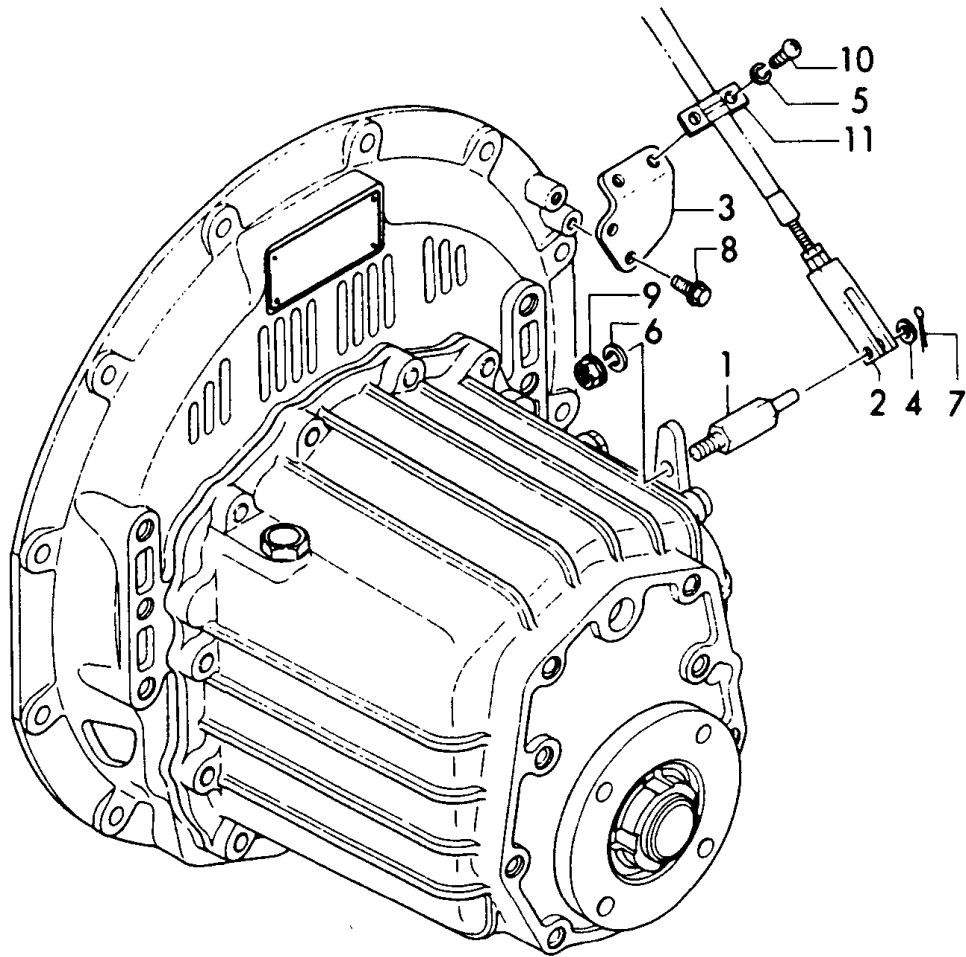
(D)=
(E)=
(F)=

REF.	LEV.	PARTS NO.	DESCRIPTION	QTY						I	R	
				(A)	(B)	(C)	(D)	(E)	(F)			
1	1	129474-81010	CLUTCH ASSY.(I=2.17	1								
2	1	129474-81020	CLUTCH ASSY.(I=2.62	1								
3	1	26106-080162	BOLT M 8X16	6								
4	1	26106-100302	BOLT M10X30	8								
5	1	26226-100222	STUD M10X22	2								
6	1	26716-100002	NUT M10	2								

(A)=4JH-DTE
(B)=
(C)=

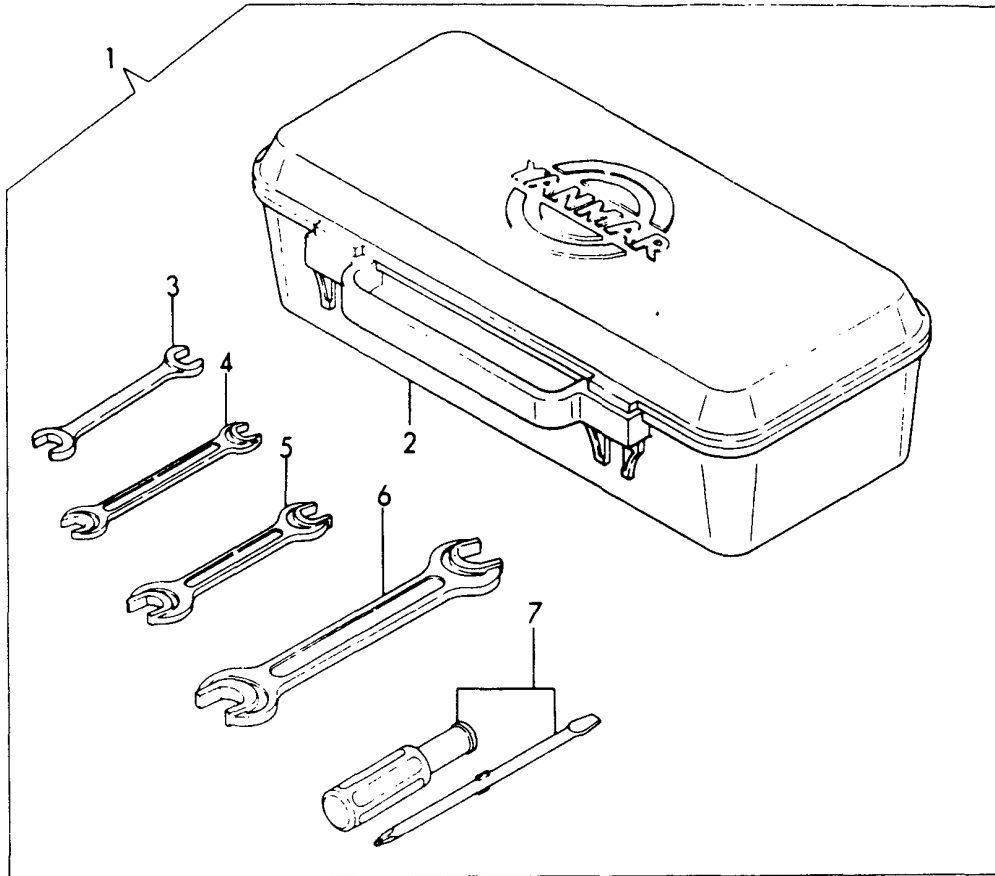
(D)=
(E)=
(F)=

Fig. **50** クラッチリモコン
CLUTCH REMOTE CONTROL



REF.	LEV.	PARTS NO.	DESCRIPTION	QTY						I	R
				(A)	(B)	(C)	(D)	(E)	(F)		
1	1	129470-86250	JOINT	1							
2	1	128370-86280	CONNECTOR	1							
3	1	129470-86310	BRACKET	1							
4	1	22113-060000	WASHER 6	1							
5	1	22217-050000	SPRING WASHER 5	2							
6	1	22217-080000	SPRING WASHER 8	1							
7	1	22414-160100	COTTER PIN 1.6X10	1							
8	1	26106-060162	BOLT M 6X16	2							
9	1	26366-080002	NUT M 8	1							
10	1	26557-050082	SCREW M 5X 8	2							
11	1	41710-000410	CLAMP	1							

Fig. **51** コウグ
TOOLS



(A)=4JH-DTE
(B)=
(C)=

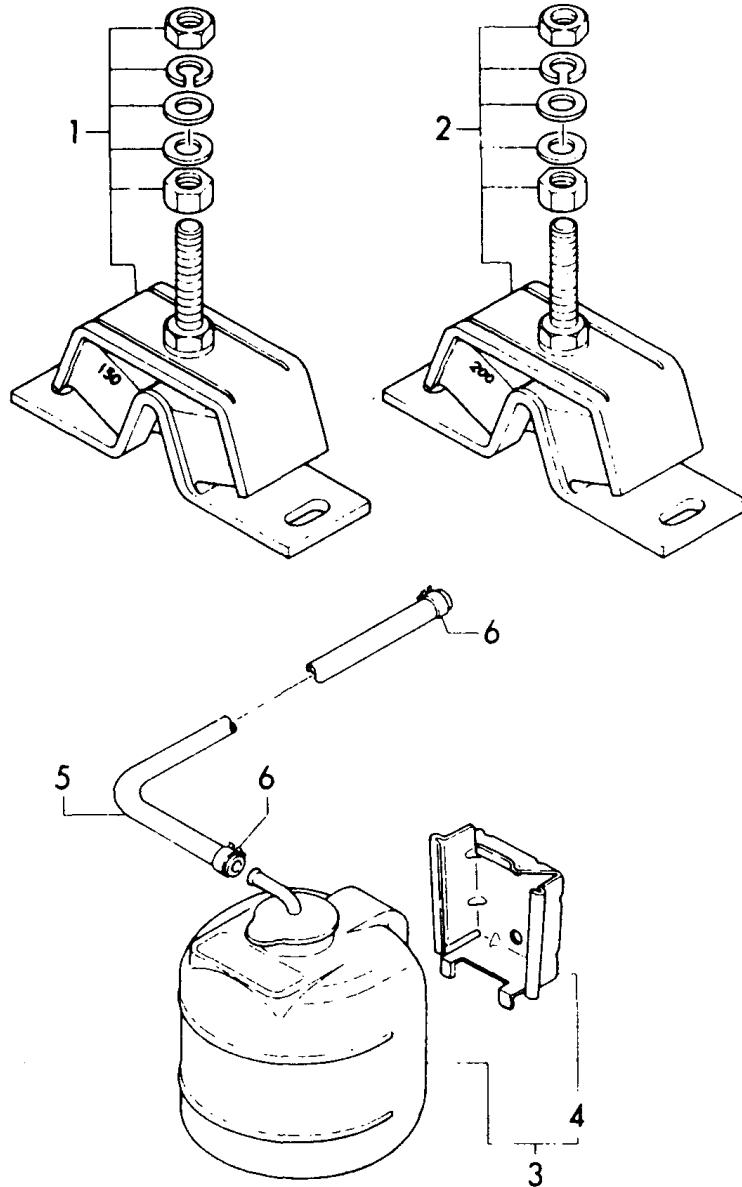
(D)=
(E)=
(F)=

REF.	LEV.	PARTS NO.	DESCRIPTION	QTY						I	R
				(A)	(B)	(C)	(D)	(E)	(F)		
1	1	704507-92100	TOOL SET	1							
2	2	104200-92600	TOOL BOX	1							
3	2	28110-100130	WRENCH 10X13	1							
4	2	28110-120140	WRENCH 12X14	1							
5	2	28110-170190	WRENCH 17X19	1							
6	2	28110-220240	WRENCH 22X24	1							
7	2	104200-92350	DRIVER,REVERSIBLE	1							

Fig.52.SPARE PARTS

(A)=4JH-DTE
 (B)=
 (C)=
 (D)=
 (E)=
 (F)=

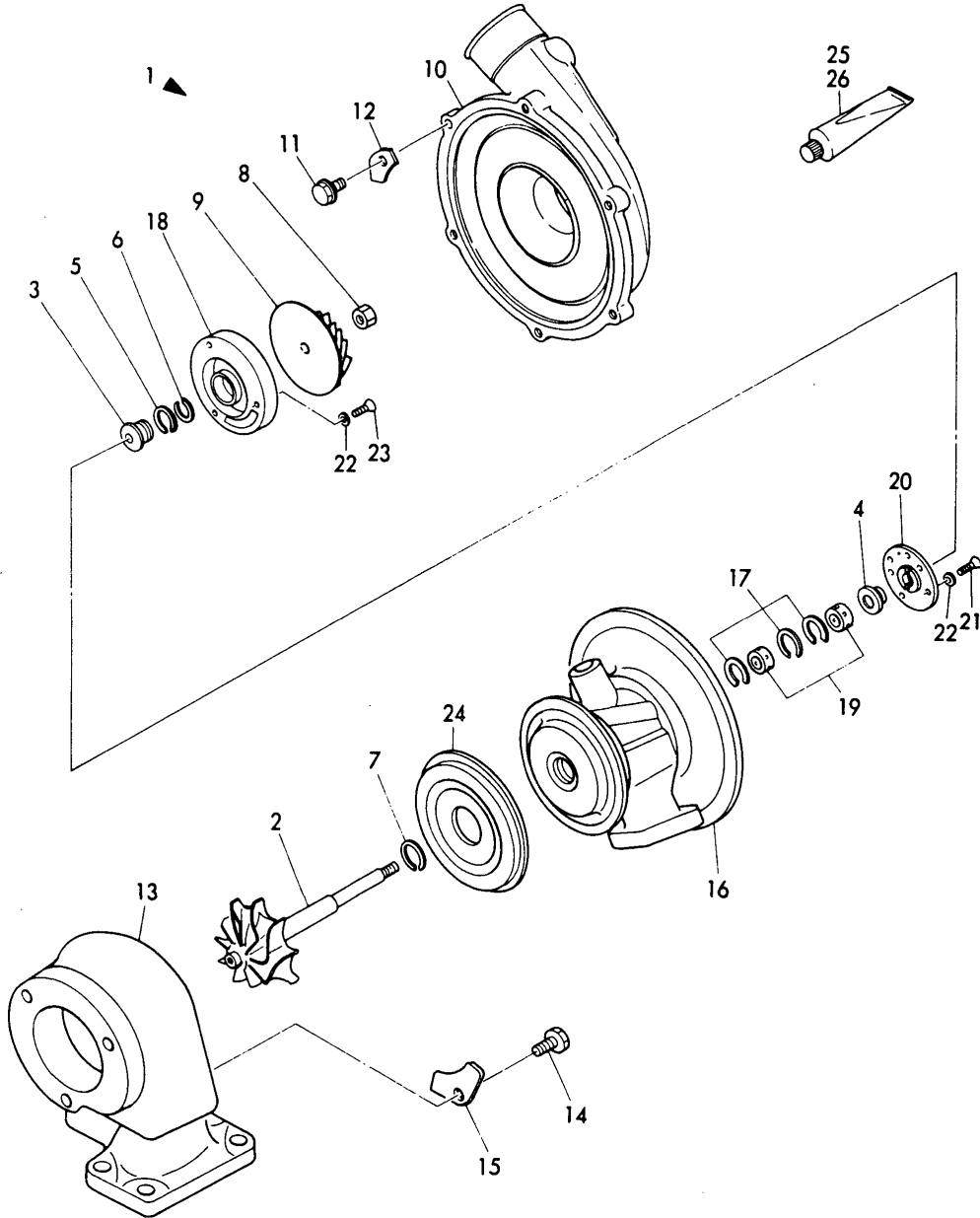
Fig. **52** フゾクヒン
 SPARE PARTS



REF.	LEV.	PARTS NO.	DESCRIPTION	QTY						I	R
				(A)	(B)	(C)	(D)	(E)	(F)		
1	1	121370-08351	MOUNT 150, FLEXIBLE	2							
2	1	129470-08350	MOUNT 200, FLEXIBLE	2							
3	1	720445-44200	SUB-TANK ASSY.	1							
4	2	120445-44540	BRACKET	1							
5	1	124790-44560	PIPE	1							
6	1	23010-013000	CLAMP 13	2							

Fig.53.TURBOCHARGER COMPONENT PARTS

Fig. **53** タービンインナーパーツ
TURBOCHARGER COMPONENT PARTS



(A)=4JH-DTE

(B)=

(C)=

(D)=

(E)=

(F)=

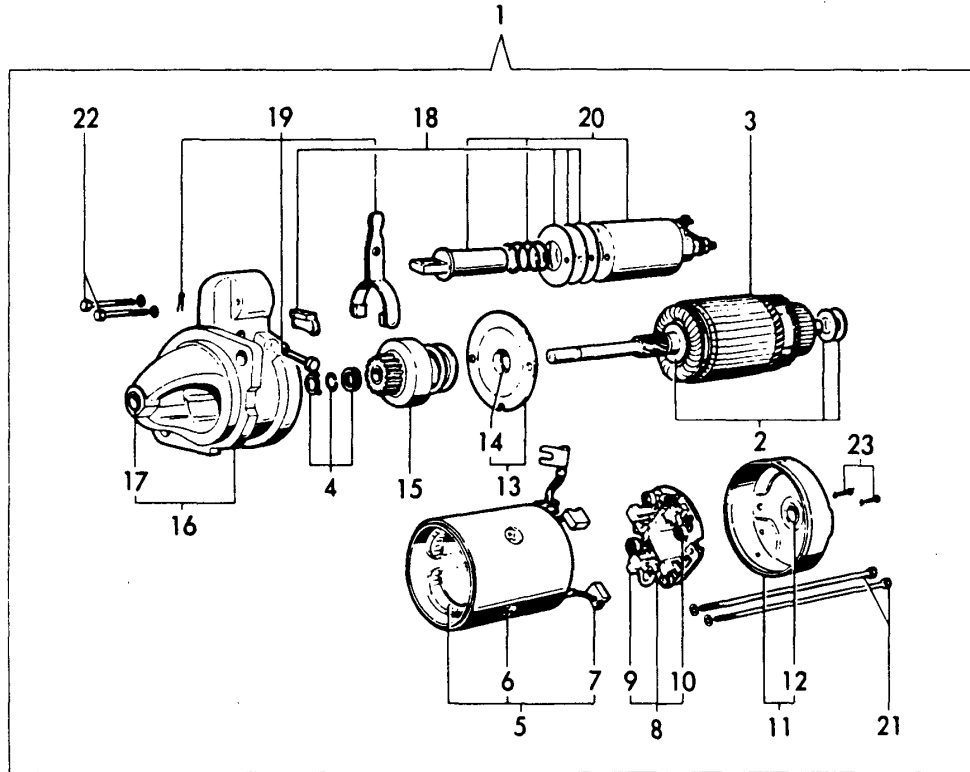
REF.	LEV.	PARTS NO.	DESCRIPTION	QTY						I	R	
				(A)	(B)	(C)	(D)	(E)	(F)			
1	1	129473-18000	TURBOCHARGER(RHB52HW	1								
2	2	XNN131502	SHAFT,TURBO.	1								
3	2	XN131004	OIL DRIP	1								
4	2	XN131005	BUSH,THRUST	1								
5	2	XN131008	SEAL RING	1								
6	2	XB131008	SEAL RING	1								
7	2	XN131106	SEAL RING	1								
8	2	XN131108	LOCK NUT	1								
9	2	XNN136606	WHEEL BR348C	1								
10	2	XNN134092	HOUSING,BLOWER	1								
11	2	XNB134007	BOLT M 5	6								
12	2	XNN134035	RETAINER	6								
13	2	XNN139402	HOUSING,TURBO.	1								
14	2	XNN137007	BOLT M 6	4								
15	2	XNN137423	BRACKET	4								
16	2	XNN133442	HOUSING,BEARING	1								
17	2	XN133204	RETAINING RING	3								
18	2	XN133001	SEAL PLATE	1								
19	2	XN133504	BEARING	2								
20	2	XN133505	BEARING,THRUST	1								
21	2	XN977006	SCREW	4								
22	2	XN977007	LOCK WASHER	7								
23	2	XN133207	SCREW	3								
24	2	XNN137055	HEAT PROTECTOR	1								
25	2	XN193653	PACKING,RIQUID	1								
26	2	XNN193655	PACKING,RIQUID	1								
27	2	XNN139811	OVERHALL SET	1								A

Fig.54.STARTING MOTOR COMPONENT PARTS

(A)=4JH-DTE
(B)=
(C)=

(D)=
(E)=
(F)=

Fig.54 スターティングモータ インナーパーツ
STARTING MOTOR COMPONENT PARTS



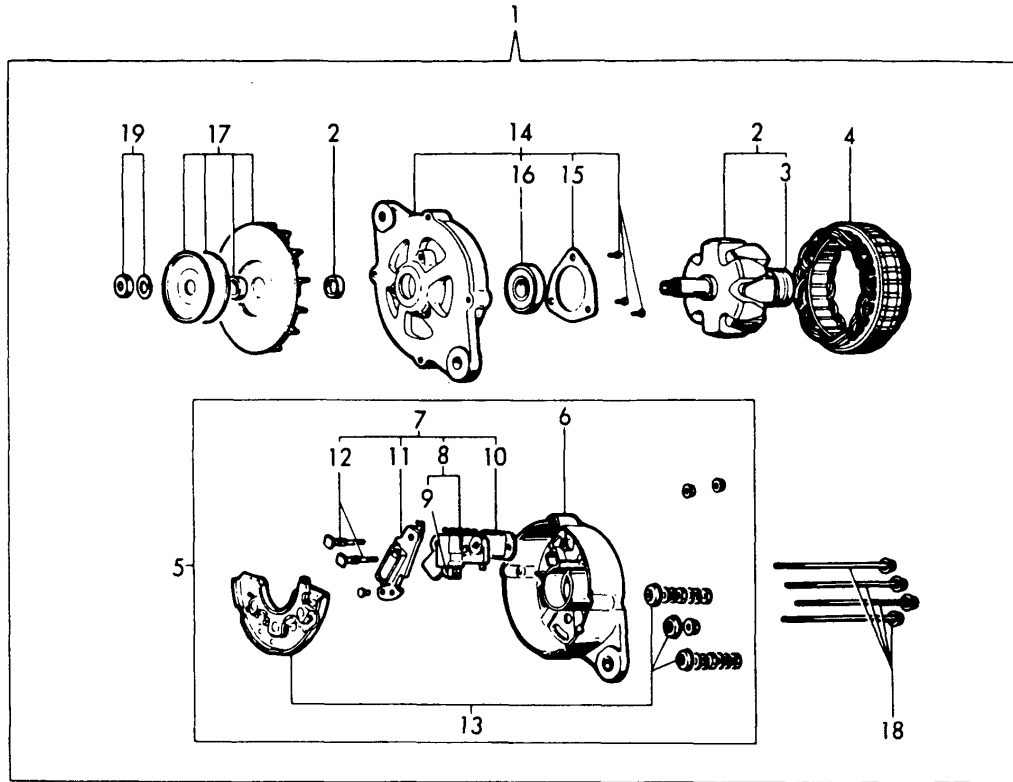
REF.	LEV.	PARTS NO.	DESCRIPTION	QTY						I	R	
				(A)	(B)	(C)	(D)	(E)	(F)			
1	1	124250-77012	STARTER 12V-1.8KW	1								
2	2	X21201115	WASHER SET,THRUST	1								
3	2	X21207100	ARMATURE ASSY.	1								
4	2	X21201110	STOPPER SET,PINION	1								
5	2	X21204259	COIL ASSY.,FIELD	1								
6	3	X21142215	SCREW SET,POLECORE	4								
7	3	X21209311	BRUSH(+)	2								
8	2	X21205310	HOLDER ASSY.,BRUSH	1								
9	3	X21207312	BRUSH(-)	2								
10	3	X21201313	SPRING,BRUSH	4								
11	2	X212063001	COVER ASSY.,REAR	1								
12	3	X21204302	METAL,REAR COVER	1								
13	2	X21205400	BEARING ASSY.,CENTER	1								
14	3	X21204401	METAL,CENTER BEARING	1								
15	2	X213065002	PINION ASSY.	1								
16	2	X212026004	CASE ASSY.,GEAR	1								
17	3	X21202601	METAL,GEAR CASE	1								
18	2	X21202602	COVER SET,DUST	1								
19	2	X21201605	LEVER SET,SHIFT	1								
20	2	X212037002	SWITCH ASSY.,MAGNET	1								
21	2	X21204810	BOLT,THROUGH	2								
22	2	X21145866	BOLT SET,SWITCH	2								
23	2	X0630412	SCREW M4X12	2								

Fig.55.GENERATOR COMPONENT PARTS

(A)=4JH-DTE
(B)=
(C)=

(D)=
(E)=
(F)=

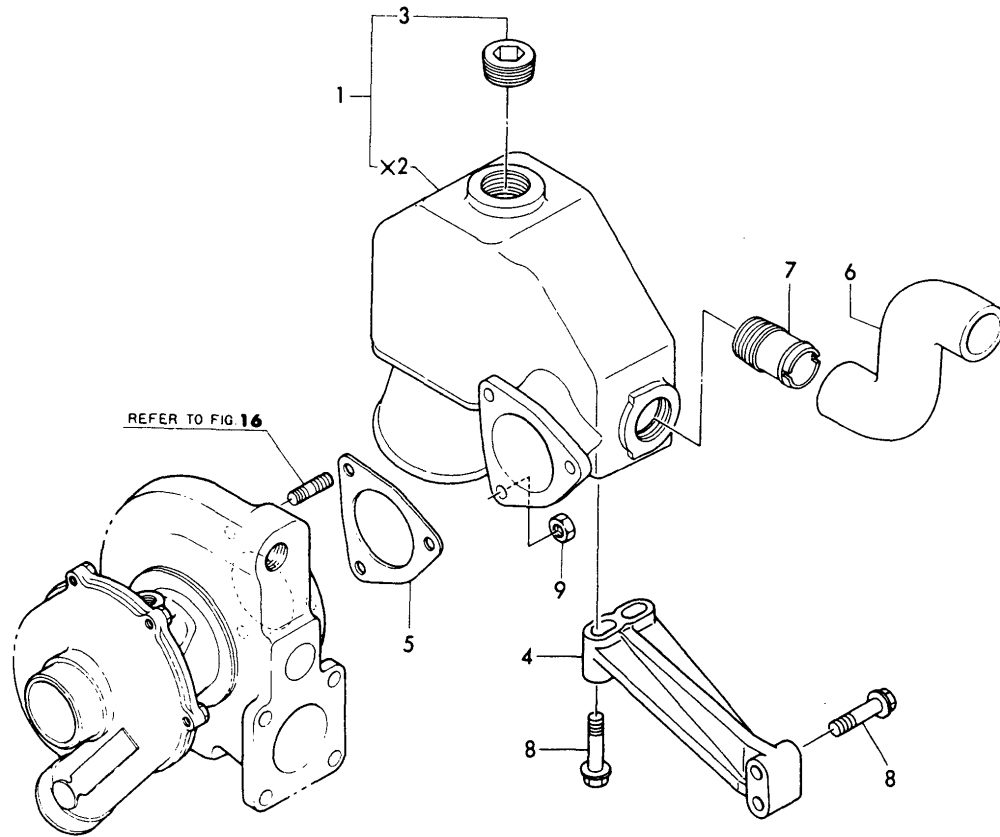
Fig. **55** ゼネレータ インナーパーツ
GENERATOR COMPONENT PARTS



REF.	LEV.	PARTS NO.	DESCRIPTION	QTY						I	R
				(A)	(B)	(C)	(D)	(E)	(F)		
1	1	129772-77200	GENERATOR 12V-600W	1							
2	2	XL15571001	ROTOR ASSY.	1							
3	3	X6201SD	BALL BEARING	1							
4	2	XL15542001	STATER ASSY.	1							
5	2	XL15553002	COVER ASSY.,REAR	1							
6	3	XL22553012	COVER,REAR	1							
7	3	XL1556315	REGURATOR ASSY.	1							
8	4	XL2255330	BRUSH ASSY.	1							A
9	4	XL12013262	BRUSH	2							
10	4	XTR1Z63	IC REGURATOR	1							
11	4	XL2251318	CONDENCER ASSY.	1							
12	4	XL13513134	BOLT M5	2							
13	3	XL2253320	DIODE ASSY.	1							
14	2	XL2253400	FRONT COVER ASSY.	1							
15	3	XL15014042	BEARING RETAINER	1							
16	3	X6203BM	BALL BEARING	1							
17	2	XL22555001	PULLEY ASSY.	1							
18	2	XL15018015	BOLT,THROUGH	4							
19	2	XL1501810	NUT ASSY.,PULLEY	1							
20	2	XL15028001	SCREW SET	1							

Fig.56.MIXING ELBOW

Fig. **56** ミキシングエルボ
MIXING ELBOW



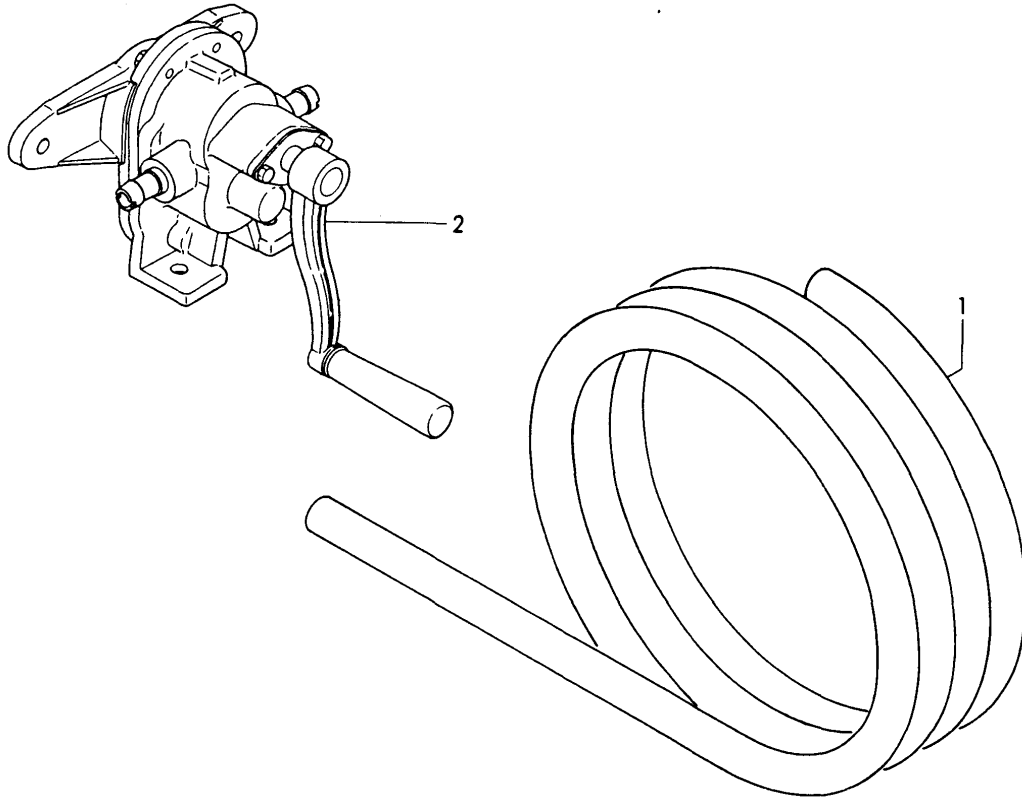
(A)=4JH-DTE
(B)=
(C)=

(D)=
(E)=
(F)=

REF.	LEV.	PARTS NO.	DESCRIPTION	QTY						I	R	
				(A)	(B)	(C)	(D)	(E)	(F)			
1	1	129472-13500	ELBOW, MIXING	1								
3	2	129472-13560	PLUG PT3/4	1								
4	1	129472-13550	SUPPORT	1								
5	1	129792-18090	GASKET	1								
6	1	129472-49050	PIPE	1								
7	1	123325-49421	JOINT	1								
8	1	26106-080352	BOLT M8X 35	4								
9	1	26703-080002	NUT M8	3								

Fig.57.OIL SUCTION/DRAIN PUMP

Fig. **57** キュウハイユポンプ
OIL SUCTION/DRAIN PUMP



(A)=4JH-DTE
(B)=
(C)=

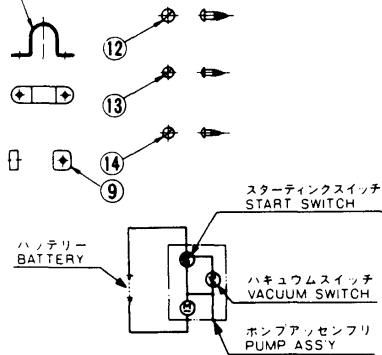
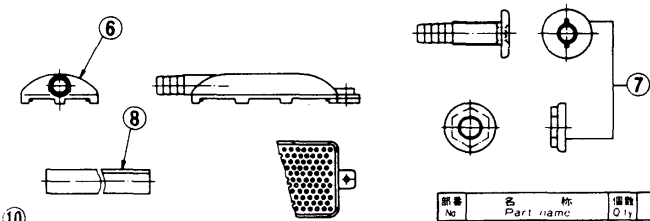
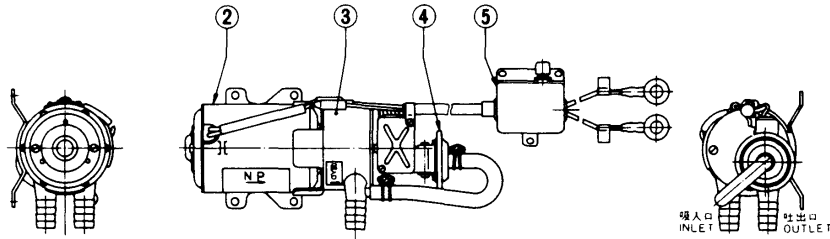
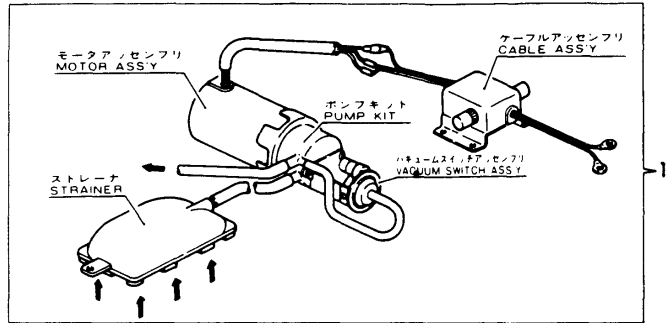
(D)=
(E)=
(F)=

REF.	LEV.	PARTS NO.	DESCRIPTION	Q'TY						I	R	
				(A)	(B)	(C)	(D)	(E)	(F)			
1	1	43720-001220	PIPE	1								
2	1	124413-39100	PUMP,OIL SUMP	1								A

Remarks
A) MAKER'S CODE : GC-13-AAE-0

Fig.58.BILGE PUMP 12V

Fig. **58** ビルジポンプ 12V
BILGE PUMP 12V



結線図
CONNECT. WIRE PLAN

部番 No	名 称 Part Name	個数 Qty	メーカー部番 Maker No
1	ポンプアッセンブリ PUMP ASSY	1	B P 190-1110
2	モータアッセンブリ MOTOR ASSY	1	B P 190-2200
3	ポンプキット PUMP KIT	1	B P 190-1300
4	ハキュームスイッチアッセンブリ VACUUM SWITCH ASSY	1	B P 190-2400
5	ケーブルアッセンブリ CABLE ASSY	1	B P 190-5500
6	ストレーナ STRAINER	1	B P 190-2810
7	トランクアウト OUTLET	1	B P 190-1820
8	ホース HOSE	1	B P 190-1830
9	スペーサ SPACER	1	B P 190-1910
10	クランプ CLAMP	1	B P 190-1920
11	スクリューセット SCREW SET	1	B P 190-1950
12	φ5.1×16スクリュー φ5.1×16 SCREW	4	
13	φ4.1×20スクリュー φ4.1×20 SCREW	1	
14	φ4.0×10スクリュー φ4.0×10 SCREW	5	
15	インペラキット IMPELLER KIT	1	B P 190-1310

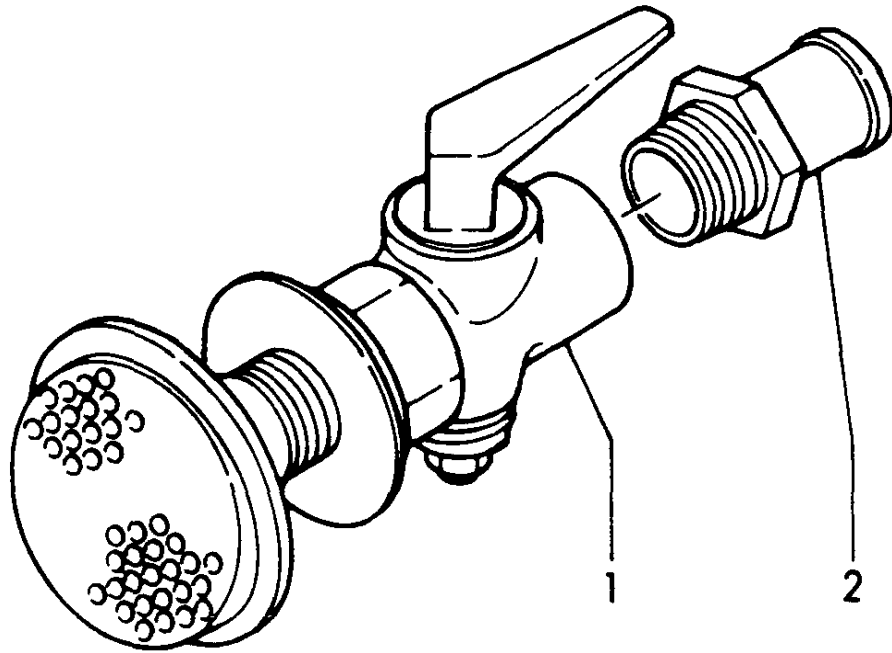
(A)=4JH-DTE (D)=
(B)= (E)=
(C)= (F)=

REF.	LEV.	PARTS NO.	DESCRIPTION	QTY						I	R
				(A)	(B)	(C)	(D)	(E)	(F)		
1	1	977782-00121	BILGE PUMP 12V	1							
2	2	977782-00300	IMPELLER SET	1							

(A)=4JH-DTE
(B)=
(C)=

(D)=
(E)=
(F)=

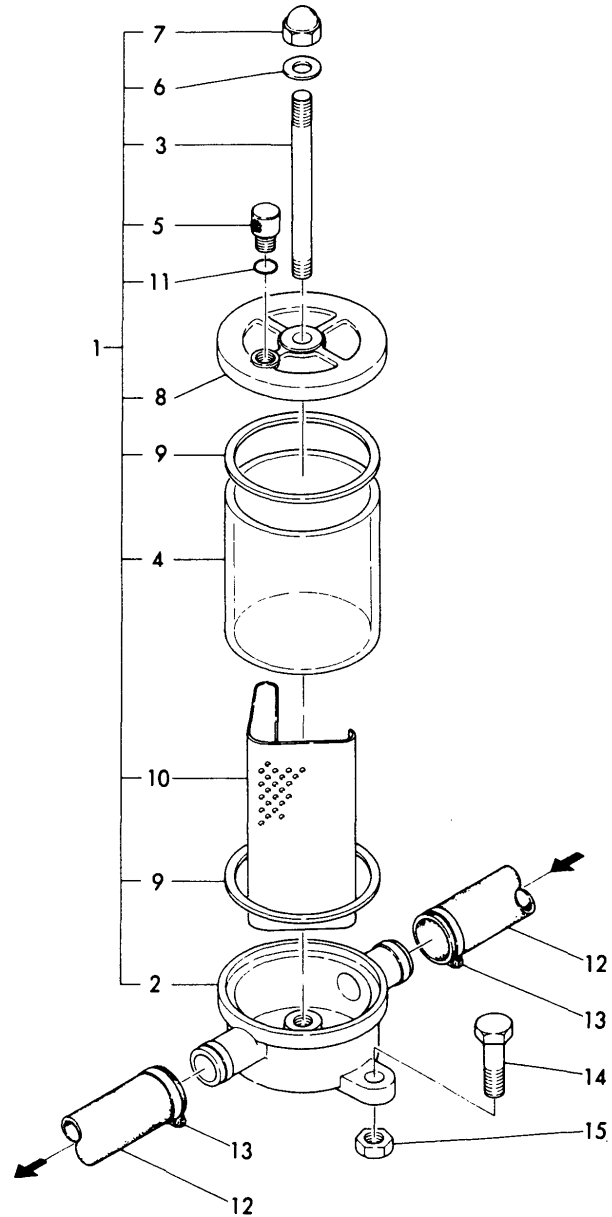
Fig. 59 キングストンコック KINGSTON COCK



REF.	LEV.	PARTS NO.	DESCRIPTION	----- Q'TY -----						I	R
				(A)	(B)	(C)	(D)	(E)	(F)		
1	1	43662-025030	COCK,KINGSTON	1							
2	1	43530-500570	JOINT 25A	1							

Fig.60.SEA WATER FILTER

Fig. **60** カイスイコシキ
SEA WATER FILTER



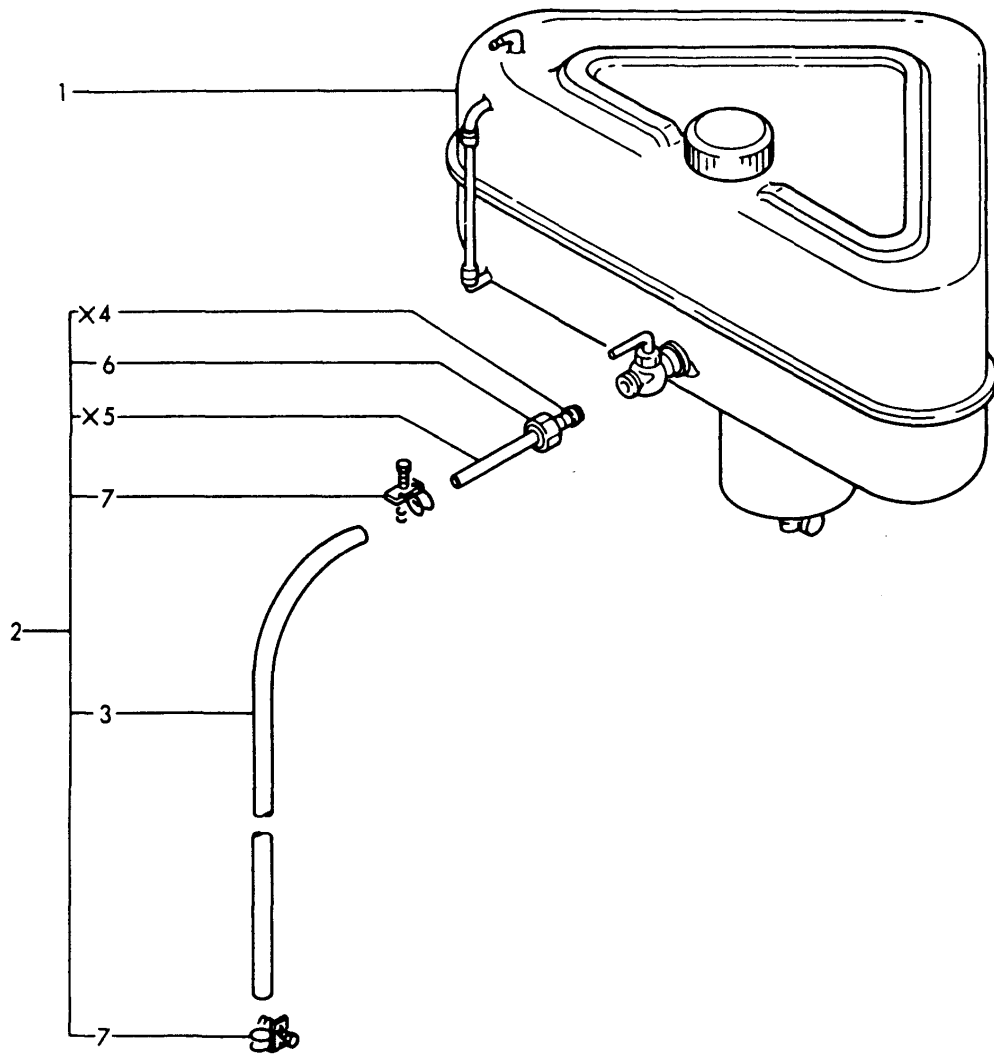
(A)=4JH-DTE
(B)=
(C)=

(D)=
(E)=
(F)=

REF.	LEV.	PARTS NO.	DESCRIPTION	QTY						I	R	
				(A)	(B)	(C)	(D)	(E)	(F)			
1	1	919400-02500	FILTER,SEA WATER	1								
2	2	XTST25S001	BODY	1								
3	2	XTST25S002	STUD M 8X125	1								
4	2	XTST25S003	PIPE	1								
5	2	XTST25S004	PLUG M 8	1								
6	2	XTST25S005	PACKING	1								
7	2	26664-080002	CAP NUT M 8	1								
8	2	XTST25S007	COVER	1								
9	2	XTST25S008	PACKING	2								
10	2	XTST25S009	FILTER	1								
11	2	24311-000060	O-RING 1A P 6	1								
12	1	23072-101000	PIPE 10X1000	1								
13	1	23000-041000	CLAMP 41	2								
14	1	26116-080302	BOLT M 8X30	2								
15	1	26703-080002	NUT M 8	2								

Fig.61.FUEL TANK

Fig. **61** FOタンク
FUEL TANK



(A)=4JH-DTE
(B)=
(C)=

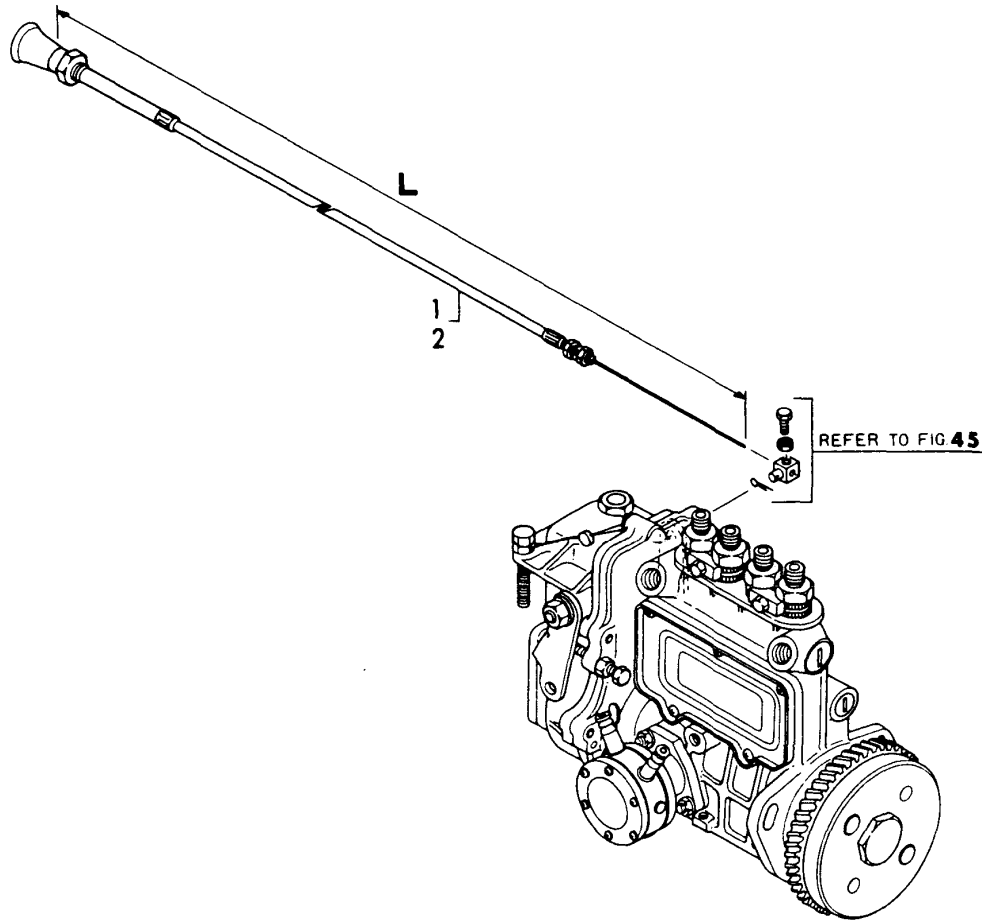
(D)=
(E)=
(F)=

REF.	LEV.	PARTS NO.	DESCRIPTION	Q'TY						I	R	
				(A)	(B)	(C)	(D)	(E)	(F)			
1	1	83213-003012	TANK,FUEL	1								
2	1	124070-59060	PIPE ASSY.,FUEL	1								
3	2	124070-59130	PIPE,FUEL	1								
6	2	138603-59380	CAP NUT	1								
7	2	23010-014000	CLAMP 14	2								

Fig.62.ENGINE STOP CABLE

(A)=4JH-DTE (D)=
 (B)= (E)=
 (C)= (F)=

Fig. **62** ストップケーブル
 ENGINE STOP CABLE



REF.	LEV.	PARTS NO.	DESCRIPTION	QTY						I	R	
				(A)	(B)	(C)	(D)	(E)	(F)			
1	1	129470-67550	CABLE L4000	1								
2	1	129470-67560	CABLE L7000	1								

Fig.63.WIRE HARNESS(FOR B2 TYPE PANEL

(A)=4JH-DTE

(B)=

(C)=

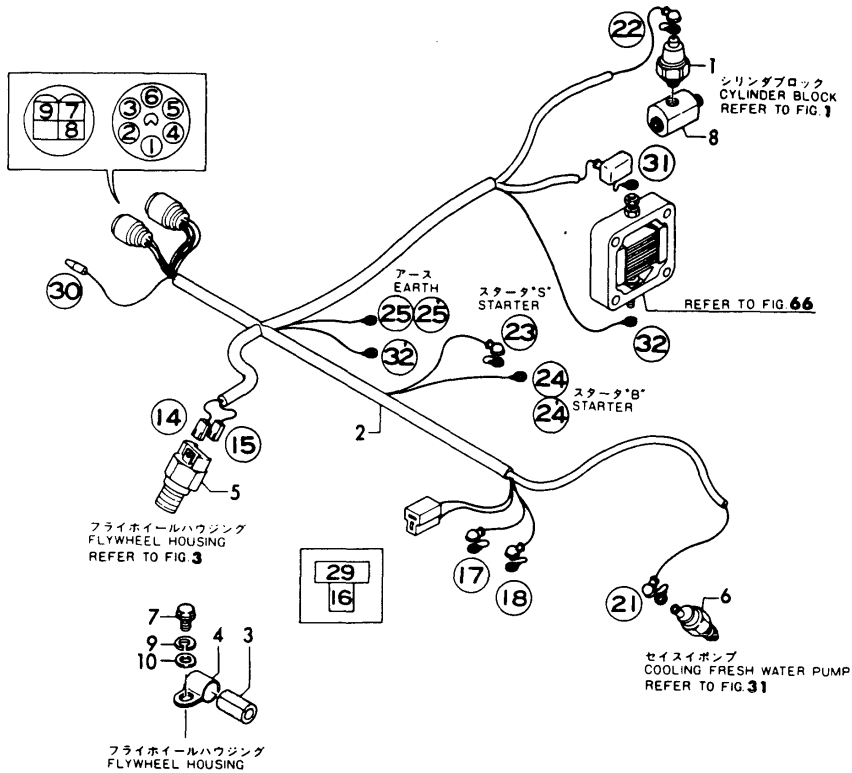
(D)=

(E)=

(F)=

REF.	LEV.	PARTS NO.	DESCRIPTION	QTY						I R
				(A)	(B)	(C)	(D)	(E)	(F)	
1	1	124060-39451	SENDER, OIL PRESSURE	1						
2	1	129470-77920	WIRE HARNESS	1						
3	1	124770-77940	PROTECTOR	1						
4	1	124070-77950	CLAMP	1						
5	1	128170-91160	SENSOR, TACHOMETER	1						
6	1	127610-91350	SWITCH, THERMO. 95C	1						
7	1	26106-080162	BOLT M 8X16	1						
8	1	129470-39600	DUMPER ASSY.	1						
9	1	22217-080000	SPRING WASHER 8	1						
10	1	22137-080000	WASHER 8	1						

Fig.63 ワイヤハーネス(ケイキバン B-2タイプヨウ)
WIRE HARNESS (FOR B-2 TYPE PANEL)

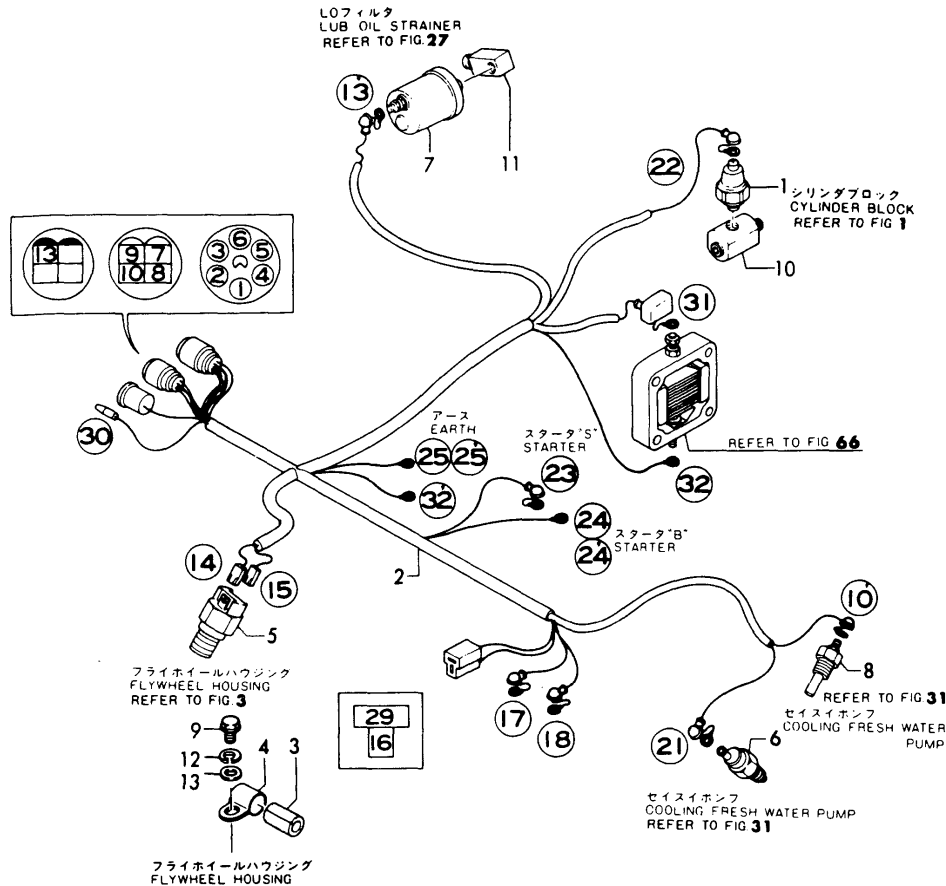


番号 No	線径 WIRE DIAMETER	線色 WIRE COLOR	番号 No	線径 WIRE DIAMETER	線色 WIRE COLOR
1	23	5.0 W 白 WHITE	8	13	0.5 L/R 青・赤 BLUE/RED
2	22	0.5 Y/W 黄・白 YELLOW WHITE	9	13	0.5 Or 橙 ORANGE
3	21	0.5 W/L 白・青 WHITE BLUE	17	23	5.0 R 赤 RED
4	23	0.5 R/B 赤・黒 RED BLACK	18	23	5.0 B 黒 BLACK
5	16	0.5 L/B 青・黒 BLUE BLACK	30	31	5.0 L 青 BLUE
6	24	5.0 R 赤 RED	32	32	5.0 B 黒 BLACK
7	25	0.5 B 黒 BLACK			

Fig.64.WIRE HARNESS(FOR C,D PANEL)

(A)=4JH-DTE
(B)=
(C)=
(D)=
(E)=
(F)=

Fig.64 ワイヤハーネス(ケイキバン C,Dタイプヨウ)
WIRE HARNESS (FOR C,D TYPE PANEL)

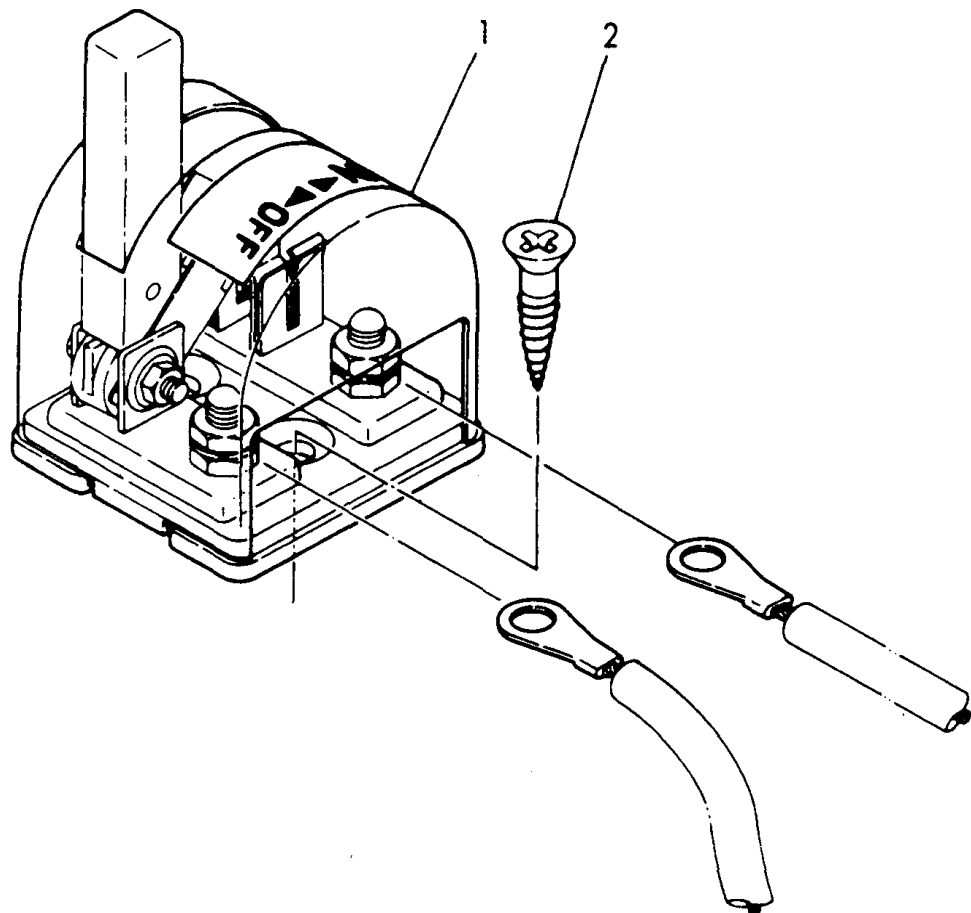


番号 No	線径 WIRE DIAMETER	線色 WIRE COLOR	番号 No	線径 WIRE DIAMETER	線色 WIRE COLOR
1 23	5.0	W : 白 WHITE	9 14	0.5	Or : 橙 ORANGE
2 22	0.5	Y/W : 黄・白 YELLOW WHITE	10 10	0.5	W/B : 白・黒 WHITE/BLACK
3 21	0.5	W/L : 白・青 WHITE BLUE	13 13	0.5	Y/B : 黄・黒 YELLOW/BLACK
4 29	0.5	R/B : 赤・黒 RED BLACK	17 24	5.0	R : 赤 RED
5 16	0.5	L/B : 青・黒 BLUE BLACK	18 25	5.0	B : 黒 BLACK
6 24	5.0	R : 赤 RED	30 31	5.0	L : 青 BLUE
7 25	0.5	B : 黒 BLACK	32 32	5.0	B : 黒 BLACK
8 13	0.5	L/R : 青・赤 BLUE RED			

REF.	LEV.	PARTS NO.	DESCRIPTION	QTY						I R
				(A)	(B)	(C)	(D)	(E)	(F)	
1	1	124060-39451	SENDER, OIL PRESSURE	1						
2	1	129470-77930	WIRE HARNESS	1						
3	1	124770-77940	PROTECTOR	1						
4	1	124070-77950	CLAMP	1						
5	1	128170-91160	SENSOR, TACHOMETER	1						
6	1	127610-91350	SWITCH, THERMO.95C	1						
7	1	46150-003091	SENDER, BOOST	1						
8	1	144626-91590	SENDER, WATER TEMP.	1						
9	1	26106-080162	BOLT M 8X16	1						
10	1	129470-39600	DUMPER ASSY.	1						
11	1	123482-39670	DUMPER ASSY.	1						
12	1	22137-080000	WASHER 8	1						
13	1	22217-080000	SPRING WASHER 8	1						

Fig.65.BATTERY SWITCH

Fig. 65 バッテリスイッチ BATTERY SWITCH



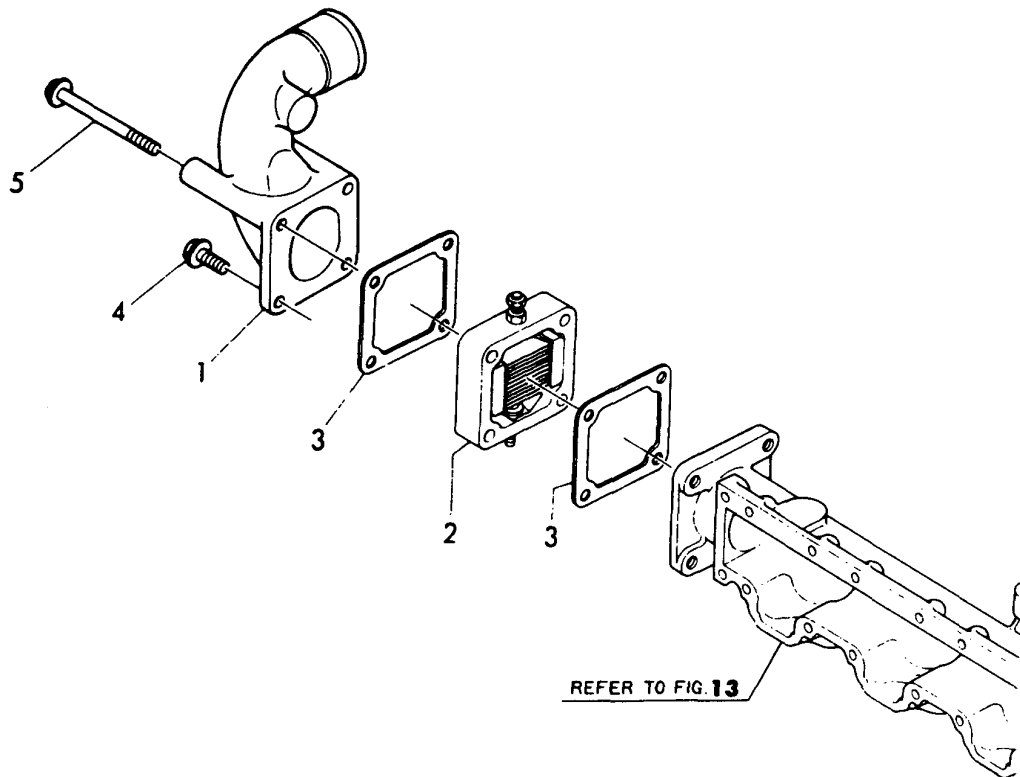
(A)=4JH-DTE
(B)=
(C)=

(D)=
(E)=
(F)=

REF.	LEV.	PARTS NO.	DESCRIPTION	Q'TY						I	R
				(A)	(B)	(C)	(D)	(E)	(F)		
1	1	123310-77640	BATTERY SWITCH	1							
2	1	22724-800380	SCREW 8X38	2							

Fig.66.AIR HEATER

Fig. **66** エアヒータ
AIR HEATER



(A)=4JH-DTE
(B)=
(C)=

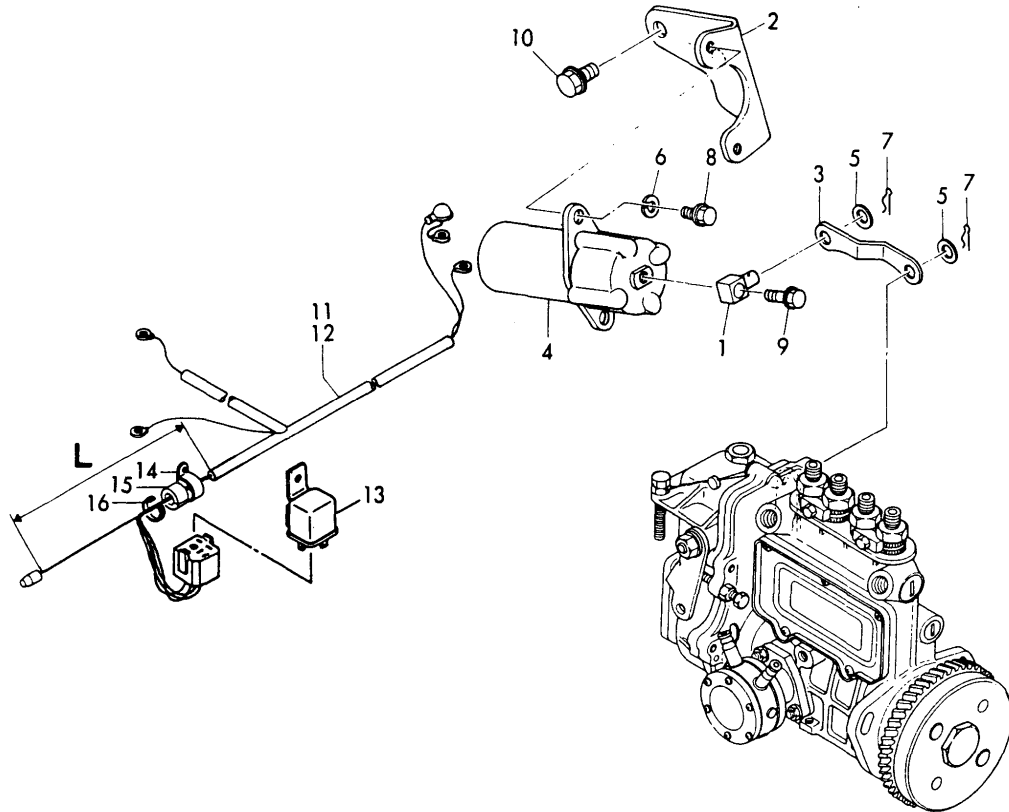
(D)=
(E)=
(F)=

REF.	LEV.	PARTS NO.	DESCRIPTION	QTY						I	R
				(A)	(B)	(C)	(D)	(E)	(F)		
1	1	129474-18170	BEND	1							
2	1	129400-77500	AIR HEATER	1							
3	1	129150-77510	GASKET	2							
4	1	26106-080402	BOLT M8X40	2							
5	1	26106-080952	BOLT M8X95	2							

Fig.67.ENGINE STOP DEVICE

(A)=4JH-DTE
 (B)=
 (C)=
 (D)=
 (E)=
 (F)=

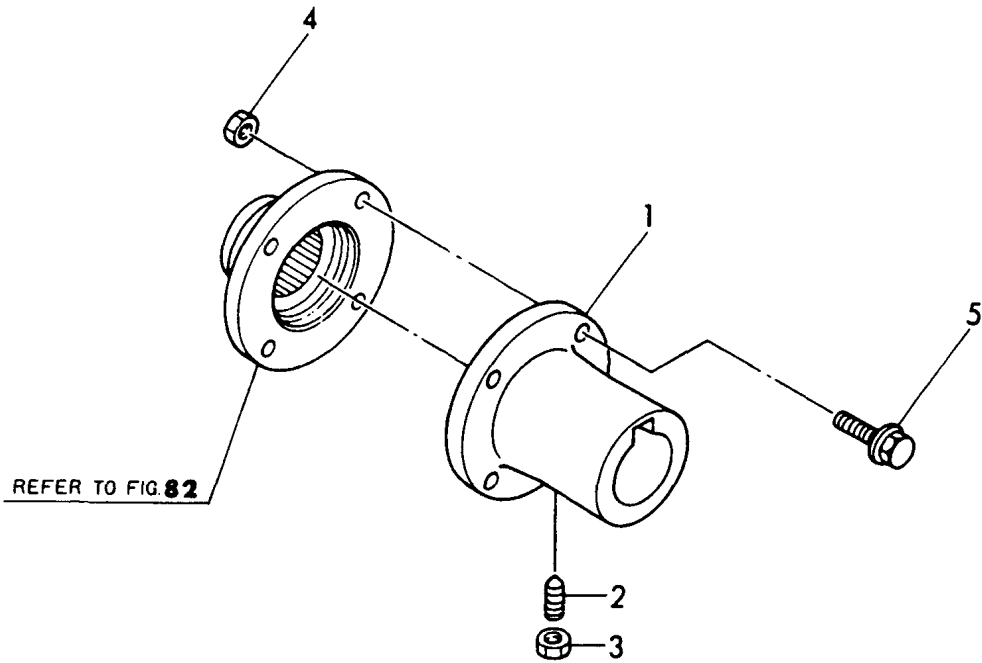
Fig. **67** エンジンストップソウチ
 ENGINE STOP DEVICE



REF.	LEV.	PARTS NO.	DESCRIPTION	QTY						I	R
				(A)	(B)	(C)	(D)	(E)	(F)		
1	1	171078-66551	PIN	1							
2	1	129470-67300	BRACKET	1							
3	1	129470-67310	LINK	1							
4	1	129470-67320	ENGINE STOP SOLENOID	1							
5	1	22117-080000	WASHER	2							
6	1	22217-060000	SPRING WASHER	2							
7	1	22360-080000	PIN	2							
8	1	26106-060102	BOLT M6X10	2							
9	1	26106-060202	BOLT M6X20	1							
10	1	26106-080122	BOLT M8X12	2							
11	1	129470-77970	HARNESS L4000	1							
12	1	129470-77980	HARNESS L7000	1							
13	1	124617-91850	RELAY	1							
14	1	124770-49310	CLAMP	1							
15	1	123682-77710	PIPE	1							
16	1	121750-59890	CLAMP	1							

Fig.68.SOLID COUPLING

Fig. **68** ソリッドカップリング
SOLIDE COUPLING



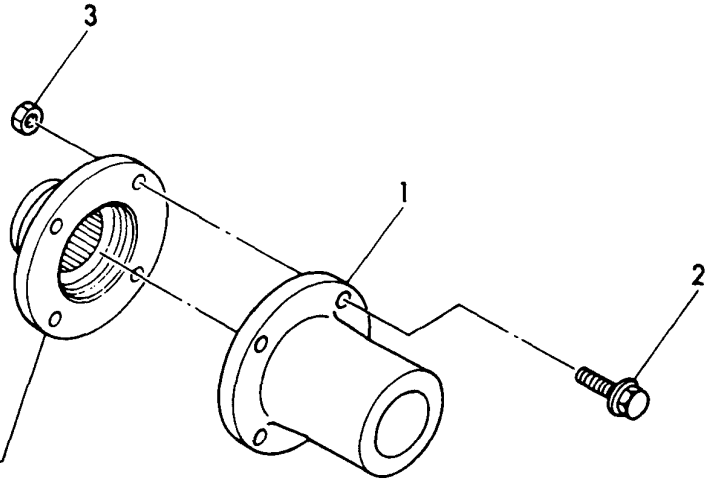
(A)=4JH-DTE
(B)=
(C)=

(D)=
(E)=
(F)=

REF.	LEV.	PARTS NO.	DESCRIPTION	QTY						I	R	
				(A)	(B)	(C)	(D)	(E)	(F)			
1	1	48110-034071	COUPLING 34	1								
2	1	48110-032411	SCREW	1								
3	1	26756-080002	NUT 8	1								
4	1	26706-100002	NUT 10	4								
5	1	26106-100322	BOLT M10X32	4								

Fig.69.STRAIGHT COUPLING

Fig. 69 ストレートカップリング
STRAIGHT COUPLING



(A)=4JH-DTE
(B)=
(C)=

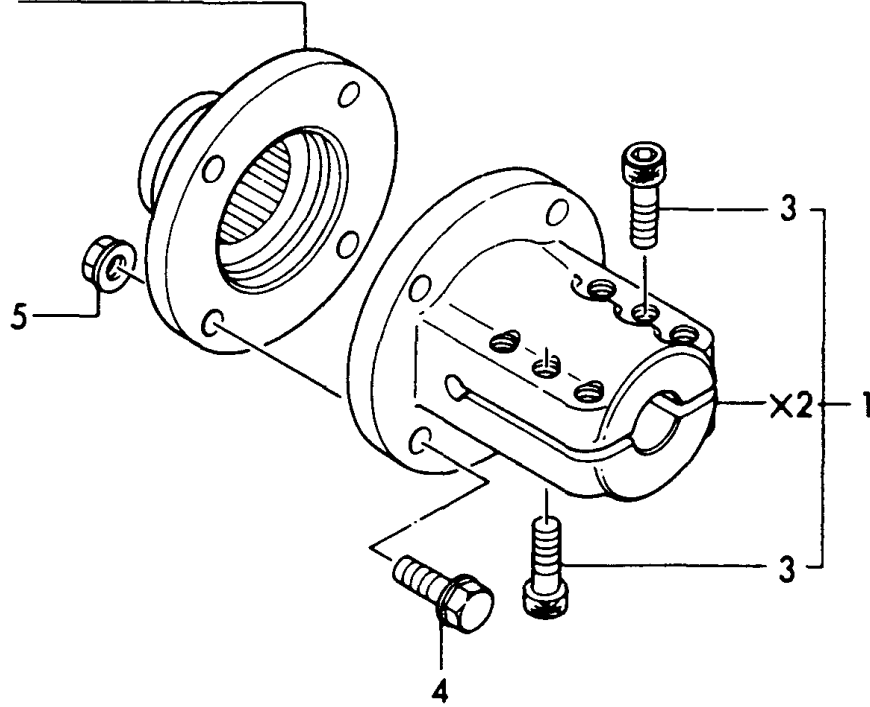
(D)=
(E)=
(F)=

REF.	LEV.	PARTS NO.	DESCRIPTION	Q'TY						I	R
				(A)	(B)	(C)	(D)	(E)	(F)		
1	1	129470-85900	COUPLING	1							
2	1	26106-100322	BOLT M10X32	4							
3	1	26706-100002	NUT 10	4							

Fig.70.SLIT COUPLING

Fig.70 スリットカップリング SLIT COUPLING

REFER TO FIG 82



(A)=4JH-DTE
(B)=
(C)=

(D)=
(E)=
(F)=

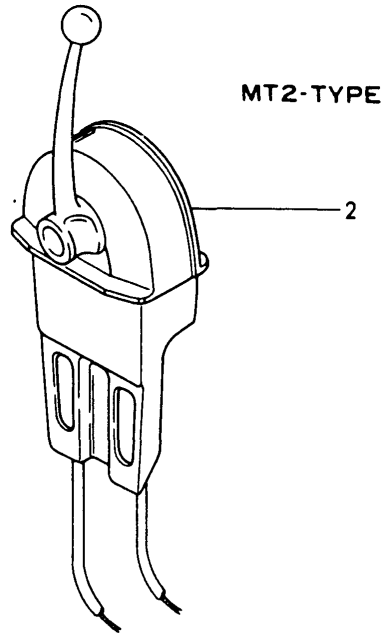
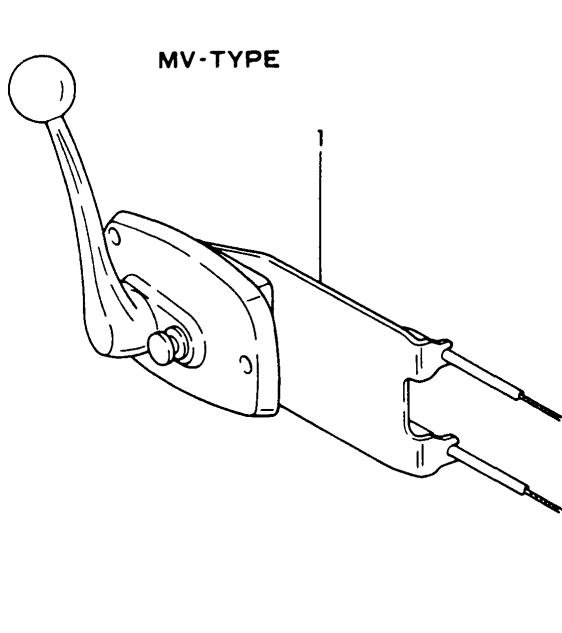
REF.	LEV.	PARTS NO.	DESCRIPTION	QTY						I	R	
				(A)	(B)	(C)	(D)	(E)	(F)			
1	1	121370-83970	COUPLING ASSY.	1								
3	2	26450-100302	BOLT M10X30	6								
4	1	26136-100322	BOLT M10X32	4								
5	1	26736-100002	NUT M10	4								

Fig.71.SINGLE LEVER CONTROL

(A)=4JH-DTE
(B)=
(C)=

(D)=
(E)=
(F)=

Fig.71 シングルレバーコントロール
SINGLE LEVER CONTROL

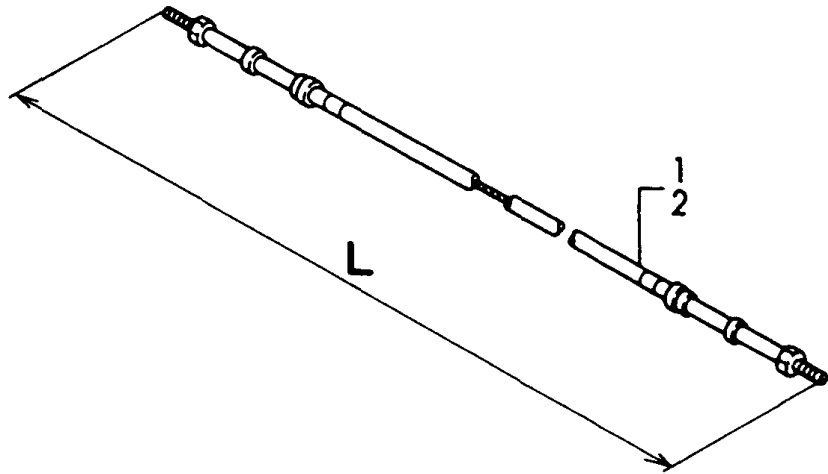


REF.	LEV.	PARTS NO.	DESCRIPTION	Q'TY						I	R	
				(A)	(B)	(C)	(D)	(E)	(F)			
1	1	128170-86500	LEVER, MORSE MV	1								
2	1	41730-000680	LEVER, MORSE MT-2	1								

(A)=4JH-DTE
(B)=
(C)=

(D)=
(E)=
(F)=

Fig. **72** モースケーブル
MORSE CABLE

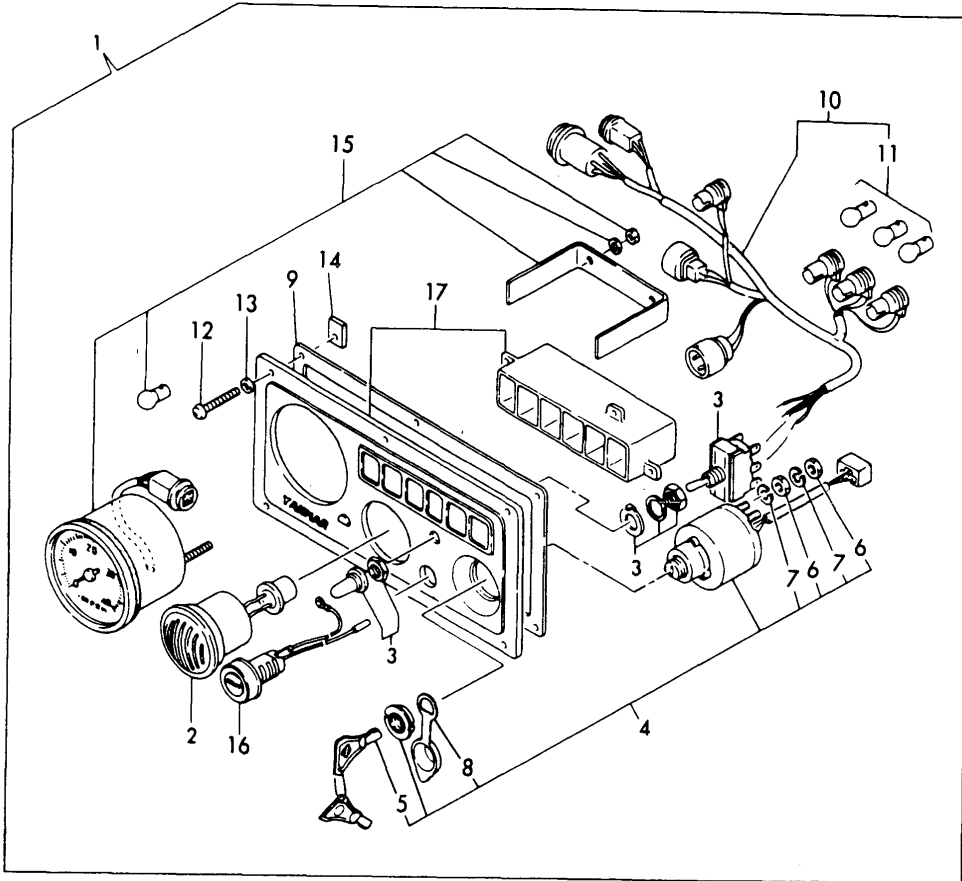


REF.	LEV.	PARTS NO.	DESCRIPTION	----- Q'TY -----						I R
				(A)	(B)	(C)	(D)	(E)	(F)	
1	1	41710-000380	CABLE 14FEET	1						
2	1	129470-86500	CABLE 23 FEET	1						

Fig.73.INSTRUMENT PANEL(B-2 TYPE)

(A)=4JH-DTE
(B)=
(C)=
(D)=
(E)=
(F)=

Fig.73 ケイキバン(B-2タイプ)
INSTRUMENT PANEL (B-2 TYPE)



REF.	LEV.	PARTS NO.	DESCRIPTION	QTY						I	R
				(A)	(B)	(C)	(D)	(E)	(F)		
1	1	124411-91190	PANEL ASSY.	1							
2	2	104271-91351	BUZZER	1							
3	2	128170-91310	SWITCH, LAMP	1							
4	2	127412-91250	SWITCH W/KEY	1							
5	3	123482-91291	KEY	1							
6	3	26716-050002	NUT M 5	10							
7	3	22217-050000	SPRING WASHER 5	10							
8	3	127620-91820	COVER	1							
9	2	128170-91020	GASKET	1							
10	2	128170-91031	HARNESS, WIRE	1							
11	3	194151-55820	BULB 12V-3.4W	3							
12	2	128170-91810	SCREW M5X35	6							
13	2	128170-91820	WASHER 5	6							
14	2	128170-91830	PLATE NUT M5	6							
15	2	128696-91100	TACHOMETER	1							
I	16	2	124070-91300	REFER TO 16- 1	1						1
I	16-1	2	129470-91190	SWITCH, PUSH BOTTON	1						
I	17	2	128170-91010	REFER TO 17- 1	1						2
I	17-1	2	124411-91010	BODY,PANEL	1						

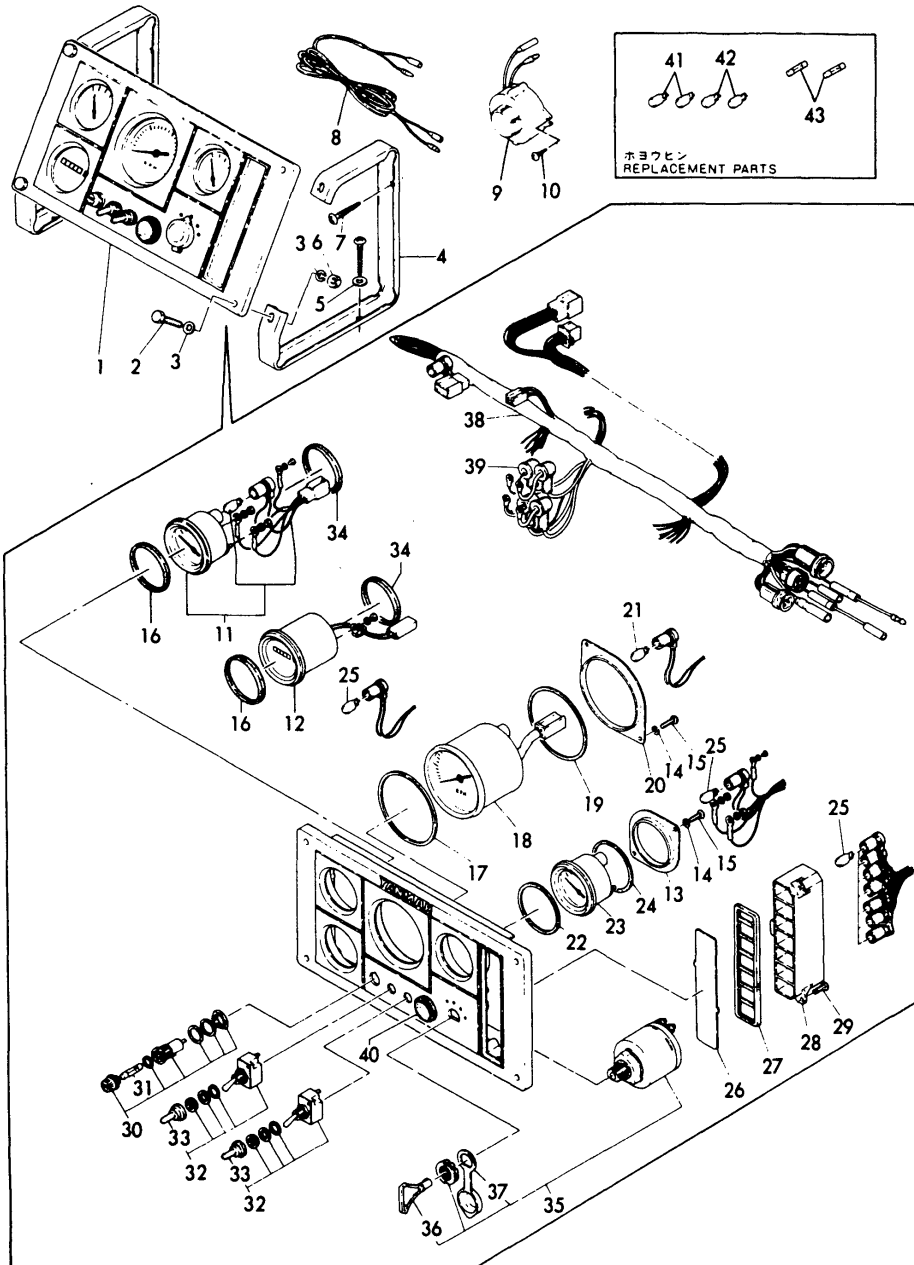
(A=*1985.10)

Remarks

- 1)PART NO.(124070-91300)IS MISPRINTED
PARTS NO.(129470-91190) IS CORRECT
CODE NO.
- 2)PART NO.(128170-91010)IS MISPRINTED
PARTS NO.(124411-91010) IS CORRECT
CODE NO.

Fig.74.INSTRUMENT PANEL(C TYPE)

Fig.74 ケイキパン(Cタイプ)
INSTRUMENT PANEL (C TYPE)



(A)=4JH-DTE
(B)=
(C)=

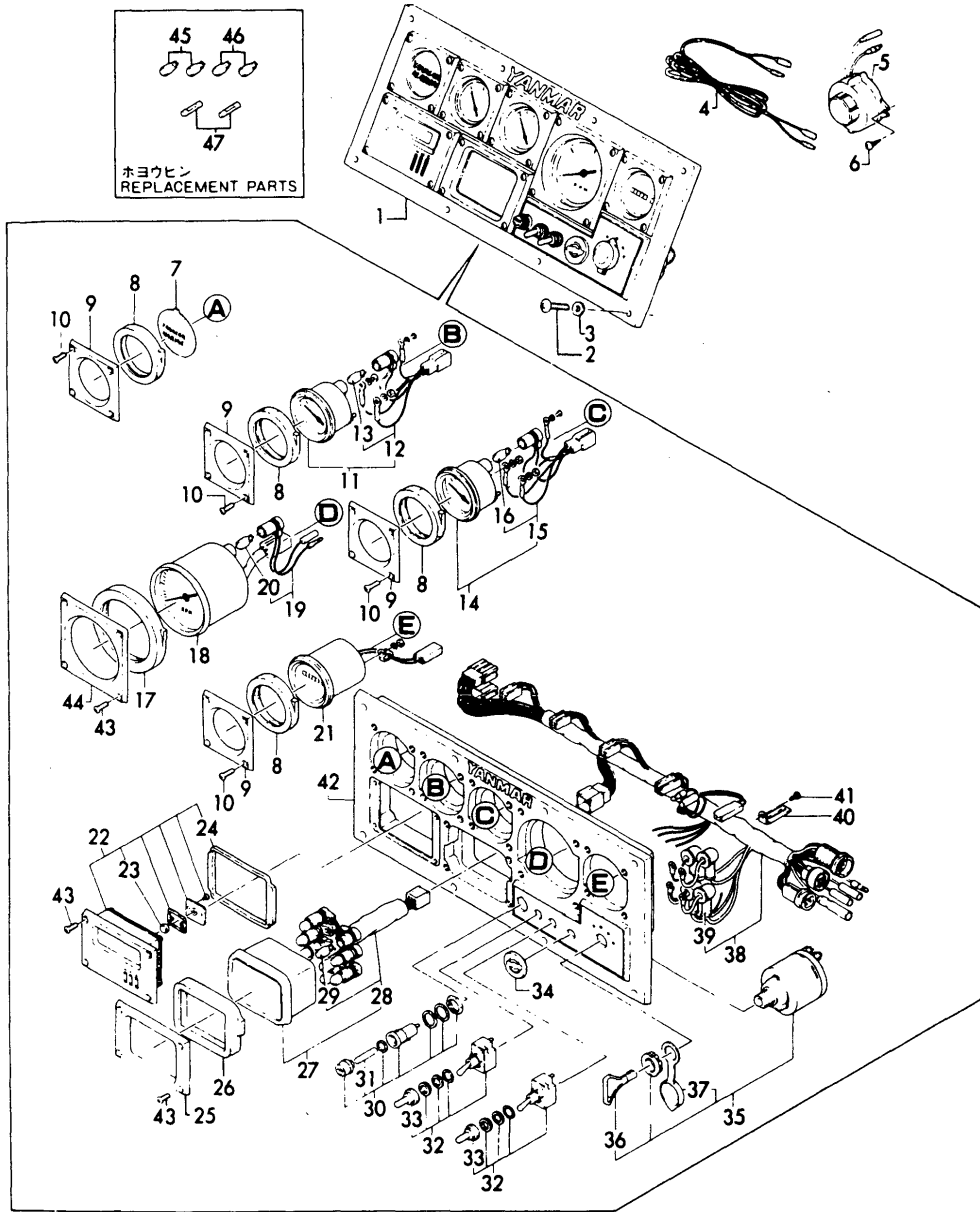
(D)=
(E)=
(F)=

REF.	LEV.	PARTS NO.	DESCRIPTION	QTY						I	R
				(A)	(B)	(C)	(D)	(E)	(F)		
1	1	129470-91100	PANEL ASSY.	1							
2	2	127620-91500	SCREW	4							
3	2	127620-91510	WASHER	8							
4	2	127410-91680	BRACKET	2							
5	2	127620-91560	WASHER	4							
6	2	127620-91550	NUT	4							
7	2	127620-91570	SCREW	4							
8	2	127620-91580	WIRE	1							
9	2	124617-91900	BUZZER	1							
10	2	22717-410160	SCREW	2							
11	2	129470-91160	METER,LUB.OIL PRESS	1							
12	2	157854-04300	HOURMETER	1							
13	2	127410-91510	BRACKET	3							
14	2	127410-91520	WASHER	8							
15	2	127410-91530	SCREW	8							
16	2	127410-91580	GASKET	2							
17	2	127410-91550	GASKET	1							
18	2	129470-91170	TACHOMETER	1							
19	2	127410-91560	GASKET	1							
20	2	127410-91570	PLATE	1							
21	2	124617-91920	BULB 12V 3W	1							
22	2	127410-91580	GASKET	1							
23	2	124617-91840	THERMOMETER,WATER	1							
24	2	127410-91590	GASKET	1							
25	2	124617-91980	BULB 12V 1.5W	6							
26	2	127410-91600	LENS	1							
27	2	127410-91610	RETAINER	1							
28	2	127410-91620	BODY,PIROT BOX	1							
29	2	127410-91630	SCREW	3							
30	2	46150-003610	BOX,FUSE	1							
31	3	124617-91990	FUSE 3A	3							
32	2	127620-91790	SWITCH	2							
33	3	127620-91780	CAP	2							
34	2	127410-91590	GASKET	2							
35	2	121575-91250	SWITCH W/KEY	1							
36	3	123482-91291	KEY	2							
37	3	127620-91820	COVER	1							
38	2	129470-91150	HARNES,WIRE	1							
39	2	127620-91830	CAP	4							
40	2	129470-91190	BOTTOM,ENGINE STOP	1							
41	2	124617-91980	BULB 1.5W	2							
42	2	124617-91920	BLUB 3W	2							
43	2	124617-91900	FUSE 3A	2							

Fig.75.INSTRUMENT PANEL(D TYPE)

(A)=4JH-DTE
 (B)=
 (C)=
 (D)=
 (E)=
 (F)=

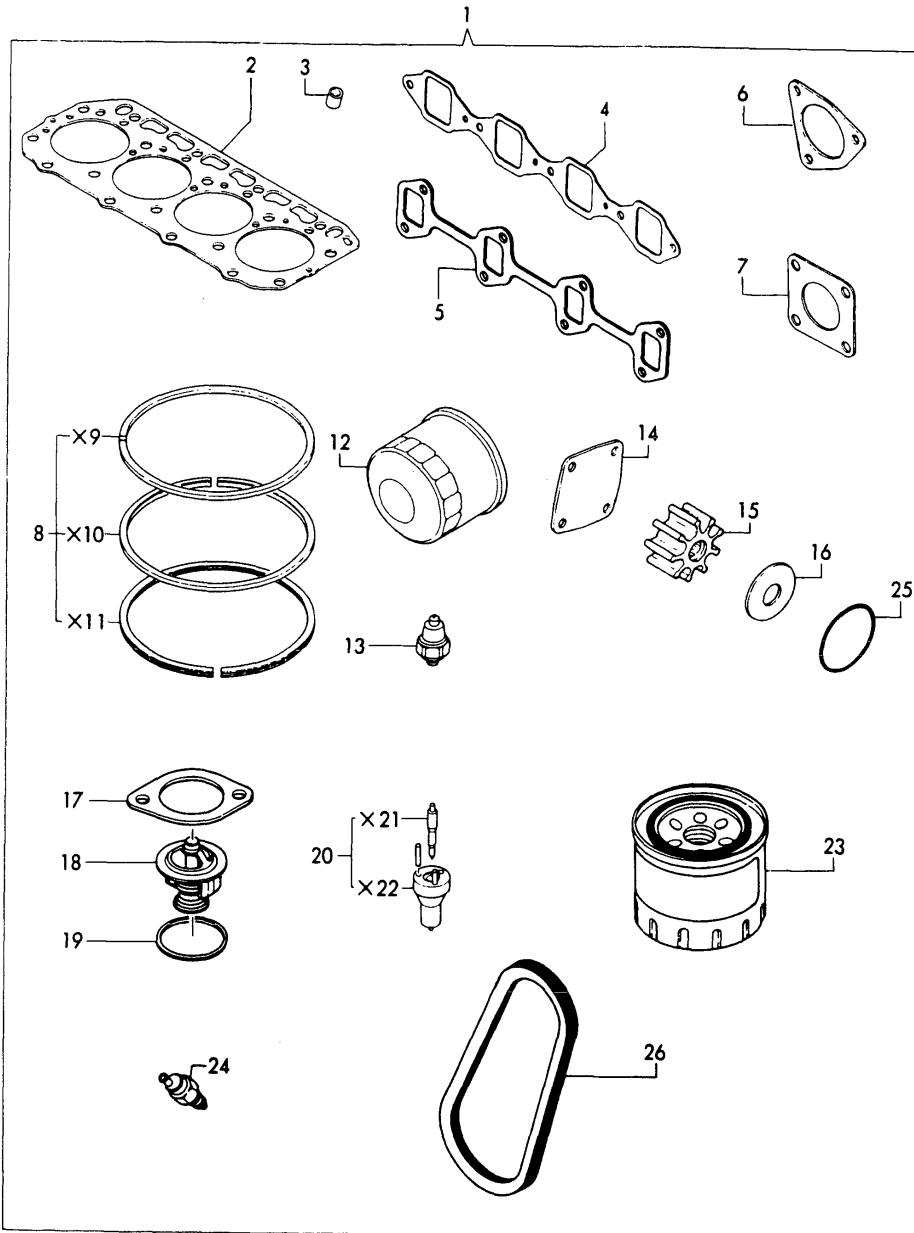
Fig.75 ケイキパン(Dタイプ)
 INSTRUMENT PANEL (D TYPE)



REF.	LEV.	PARTS NO.	DESCRIPTION	QTY						I	R
				(A)	(B)	(C)	(D)	(E)	(F)		
1	1	124411-91180	PANEL ASSY.	1							
2	2	127620-91500	SCREW	8							
3	2	127620-91510	WASHER	8							
4	2	127620-91580	WIRE	1							
5	2	124617-91900	BUZZER (DC12V)	1							
6	2	22717-410160	SCREW	2							
7	2	127620-91600	BLIND COVER	1							
8	2	127620-91610	CUSHION	4							
9	2	127620-91620	BRACKET	4							
10	2	127620-91630	SCREW	16							
11	2	124617-91830	GAUGE, OIL PRESSURE	1							
12	3	124617-91910	WIRE W/BULB	1							
13	4	124617-91920	BULB 12V-3W	1							
14	2	124617-91840	THERMOMETER, C.W.	1							
15	3	124617-91930	WIRE ASSY.	1							
16	4	124617-91920	BULB 12V-3W	1							
17	2	127620-91690	CUSHION	1							
18	2	128696-91100	TACHOMETER	1							
19	2	124617-91950	WIRE W/BULB	1							
20	3	124617-91920	BULB 12V-3W	1							
21	2	124617-91820	HOURMETER, INTEGRATE	1							
22	2	127620-91240	TIMER	1							
23	3	127620-91250	CELL	1							
24	3	127620-91720	GASKET	1							
25	2	127620-91730	BRACKET	1							
26	3	127620-91740	CUSHION	1							
27	2	124617-91810	BOX ASSY, LAMP	1							
28	3	124617-91970	WIRE W/BULB	1							
29	4	124617-91980	BULB 12V-1.5W	8							
30	2	46150-003610	BOX, FUSE	1							
31	3	124617-91990	FUSE 3A	1							
32	2	127620-91790	SWITCH	2							
33	3	127620-91780	CAP	2							
34	2	127620-91810	PLUG	1							
35	2	121575-91250	SWITCH W/KEY	1							
36	3	123482-91291	KEY	2							
37	3	127620-91820	COVER	1							
38	2	124617-91940	HARNES, WIRE	1							
39	3	127620-91830	CAP	4							
40	2	127620-91860	RETAINER	1							
41	2	127620-91870	SCREW	1							
42	2	127620-91930	PANEL	1							
43	2	127620-91630	SCREW	12							
44	2	127620-91410	BRACKET	1							
45	2	124617-91980	BULB 12V-1.5W	2							
46	2	124617-91920	BULB 12V-3.0W	2							
47	2	124617-91990	FUSE 3A	2							

Fig.77.REPAIR SET

Fig.77 スペアパーツ
REPAIR SET



(A)=4JH-DTE
(B)=
(C)=

(D)=
(E)=
(F)=

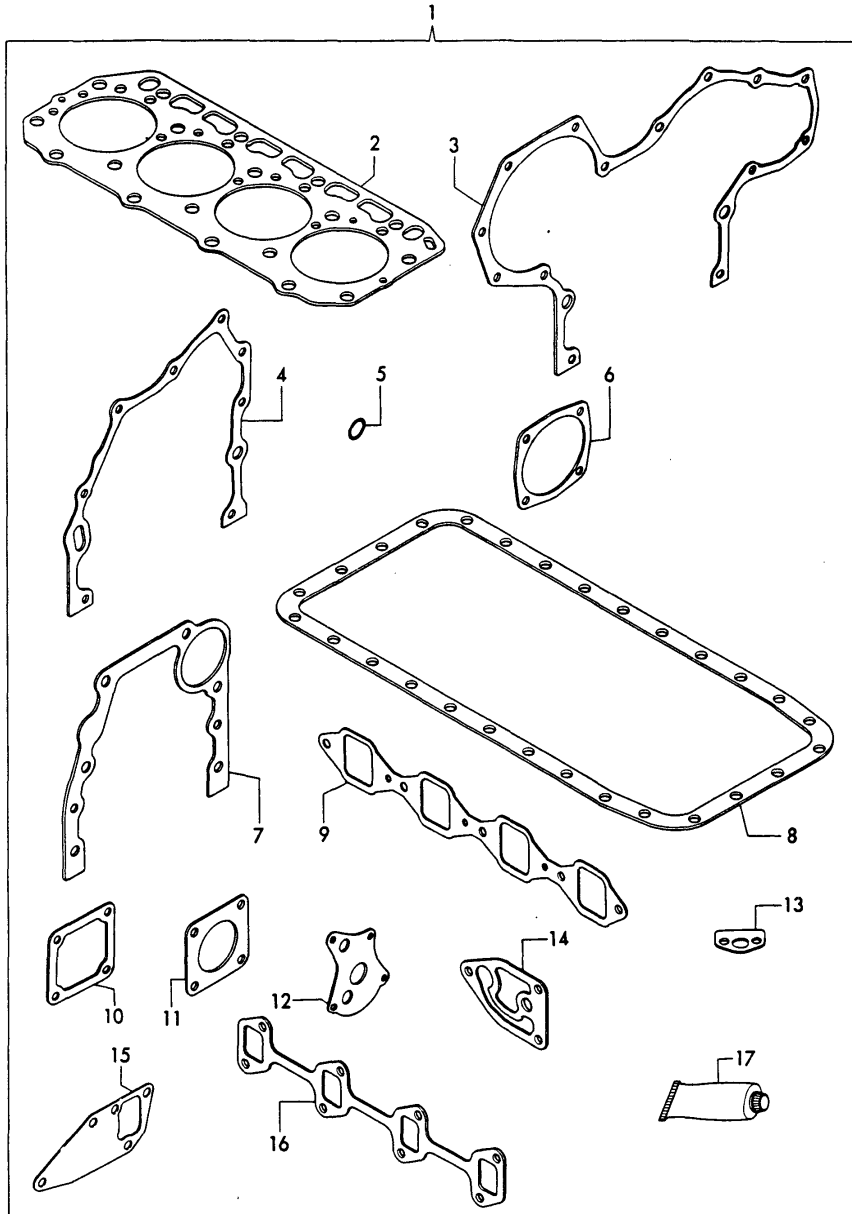
REF.	LEV.	PARTS NO.	DESCRIPTION	QTY						I	R
				(A)	(B)	(C)	(D)	(E)	(F)		
1	1	729474-92501	REPAIR SET	1							
I	1-1	1	729473-92500	REPAIR SET	1						
		(A=*1986.12)									
2	2	129553-01350	GASKET,CYL.HEAD T1.4	1							
3	2	119625-11870	PROTECTOR	4							
4	2	129550-12110	GASKET	1							
5	2	129550-13110	GASKET	1							
6	2	129792-13520	GASKET	1							
7	2	129792-18090	GASKET	1							
8	2	729470-22500	RING SET	4							
12	2	129150-35150	STRAINER	1							
13	2	124060-39451	SWITCH	1							
14	2	129470-42520	COVER	1							
15	2	129470-42530	IMPELLER	1							
16	2	129470-42540	PLATE	1							
17	2	129795-49550	GASKET	1							
18	2	129470-49801	THERMOSTAT 76.5C	1							
19	2	129150-49810	GASKET	1							
20	2	129499-53002	VALVE W/BODY	1							
I	20-1	2	129595-53000	NOZZLE ASSY,F.INJECT	4						
		(A=*1986.12)									
23	2	129470-55700	FUEL STRAINER	1							
24	2	127610-91350	SWITCH THERMO	1							
25	2	24341-000600	O-RING	1							
26	2	25132-004600	V-BELT	1							

Fig.78.GASKET SET

(A)=4JH-DTE
(B)=
(C)=

(D)=
(E)=
(F)=

Fig.78 パッキンセット
GASKET SET



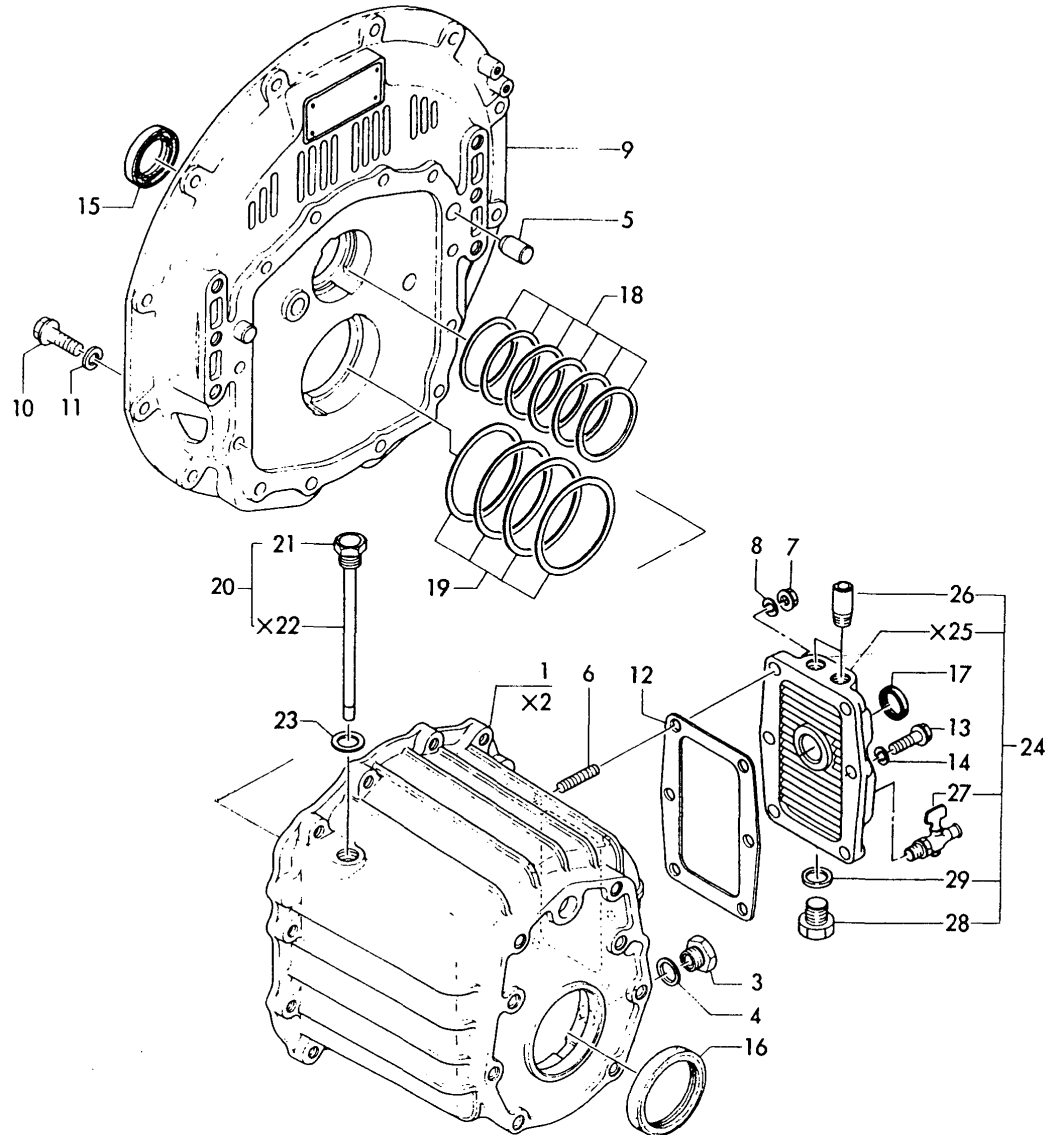
REF.	LEV.	PARTS NO.	DESCRIPTION	QTY						I	R
				(A)	(B)	(C)	(D)	(E)	(F)		
1	1	729470-92600	GASKET SET	1							
2	2	129553-01350	GASKET,CYL.HEAD T1.4	1							
3	2	129150-01510	GASKET	1							
4	2	129150-01530	GASKET	1							
5	2	129470-01550	O-RING	2							
6	2	129150-01880	GASKET	2							
7	2	129100-01620	GASKET	1							
8	2	129400-01750	GASKET	1							
9	2	129550-12110	GASKET	1							
10	2	129150-77510	GASKET	1							
11	2	129792-18090	GASKET	1							
12	2	129150-32020	GASKET	1							
13	2	129150-35040	GASKET	1							
14	2	129470-35120	GASKET	1							
15	2	129150-42020	GASKET	1							
16	2	129550-13110	GASKET	1							
17	2	977770-01212	PACKING,LIQUID	1							

Fig.79.CLUTCH HOUSING

(A)=KBW-21
(B)=
(C)=

(D)=
(E)=
(F)=

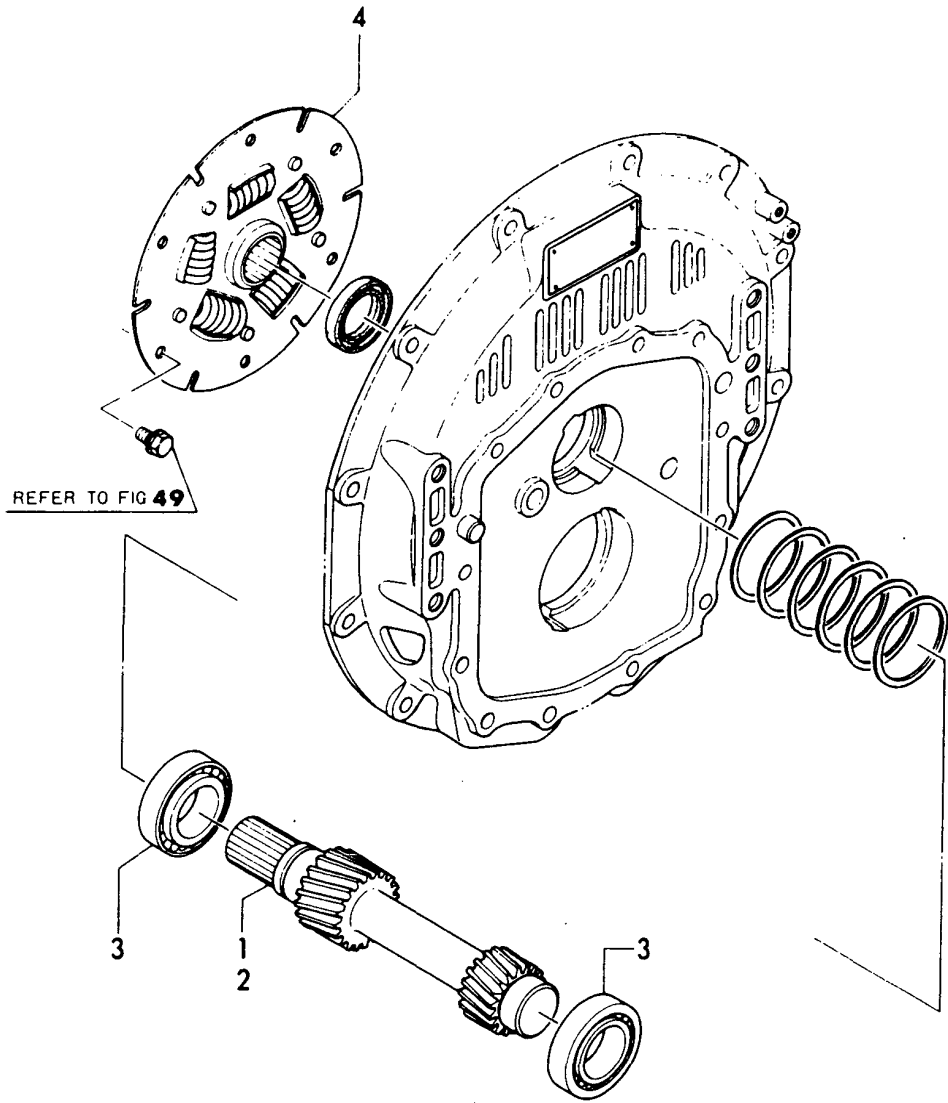
Fig. **79** クラッチケース
CLUTCH HOUSING



REF.	LEV.	PARTS NO.	DESCRIPTION	----- QTY -----						I	R
				(A)	(B)	(C)	(D)	(E)	(F)		
1	1	777075-02550	HOUSING ASSY.,CLUTCH	1							
3	2	177035-02920	PLUG M16	1							
4	2	23414-160021	GASKET 16	1							
5	2	177099-02130	PRALLEL PIN	2							
6	2	26216-080222	BOLT M 8X22	3							
7	2	26366-080002	NUT M 8	3							
8	2	22287-080000	LOCK WASHER 8	3							
9	1	177075-02050	FLANGE	1							
10	1	26106-100302	BOLT M10X30	12							
11	1	22287-100000	LOCK WASHER 10	12							
12	1	177099-02091	GASKET	1							
13	1	26106-080252	BOLT M 8X25	3							
14	1	22287-080000	LOCK WASHER 8	3							
15	1	177095-02960	OIL SEAL AB2041F0	1							
16	1	177090-02970	OIL SEAL AF3010F0	1							
17	1	177095-02980	OIL SEAL SD20264	1							
18	1	177075-02150	SHIM SET	1							
19	1	177075-02250	SHIM SET	1							
20	1	177099-02450	DIPSTICK W/BREATHER	1							
21	2	177099-02470	COVER	1							
23	1	23414-160021	GASKET 16	1							
24	1	777075-04800	COOLER ASSY.	1							
26	2	177075-04050	PIPE JOINT PT1/4	2							
27	2	128695-44090	COCK 1/8	1							
28	2	23883-160002	PLUG M16	1							
29	2	23414-160021	GASKET 16	1							

Fig.80.INPUT SHAFT

Fig. **80** ニュウリョクジク
INPUT SHAFT



(A)=KBW-21
(B)=
(C)=

(D)=
(E)=
(F)=

REF.	LEV.	PARTS NO.	DESCRIPTION	QTY						I	R
				(A)	(B)	(C)	(D)	(E)	(F)		
1	1	177075-03620	INPUT SHAFT I2.17	1							
2	1	177075-03030	INPUT SHAFT I2.62	1							
3	1	24141-320070	BEARING	2							
4	1	177090-03500	DISK, DUMPER	1							

(A)=KBW-21

(B)=

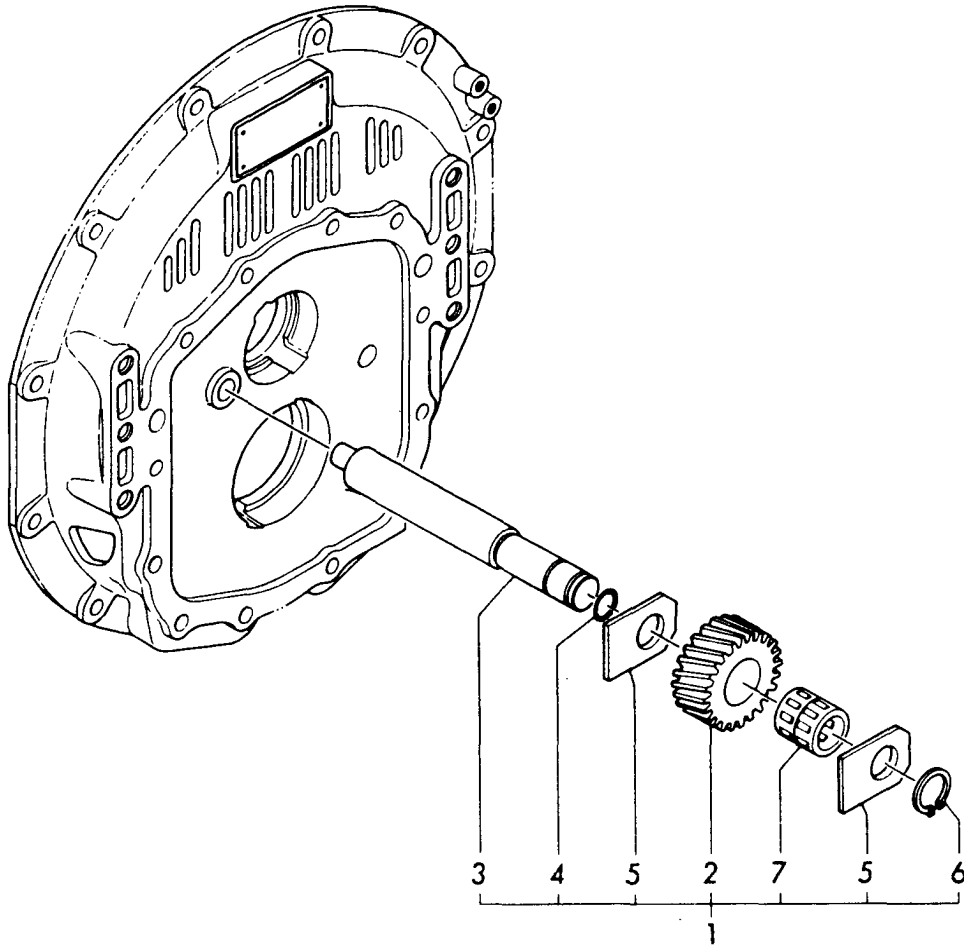
(C)=

(D)=

(E)=

(F)=

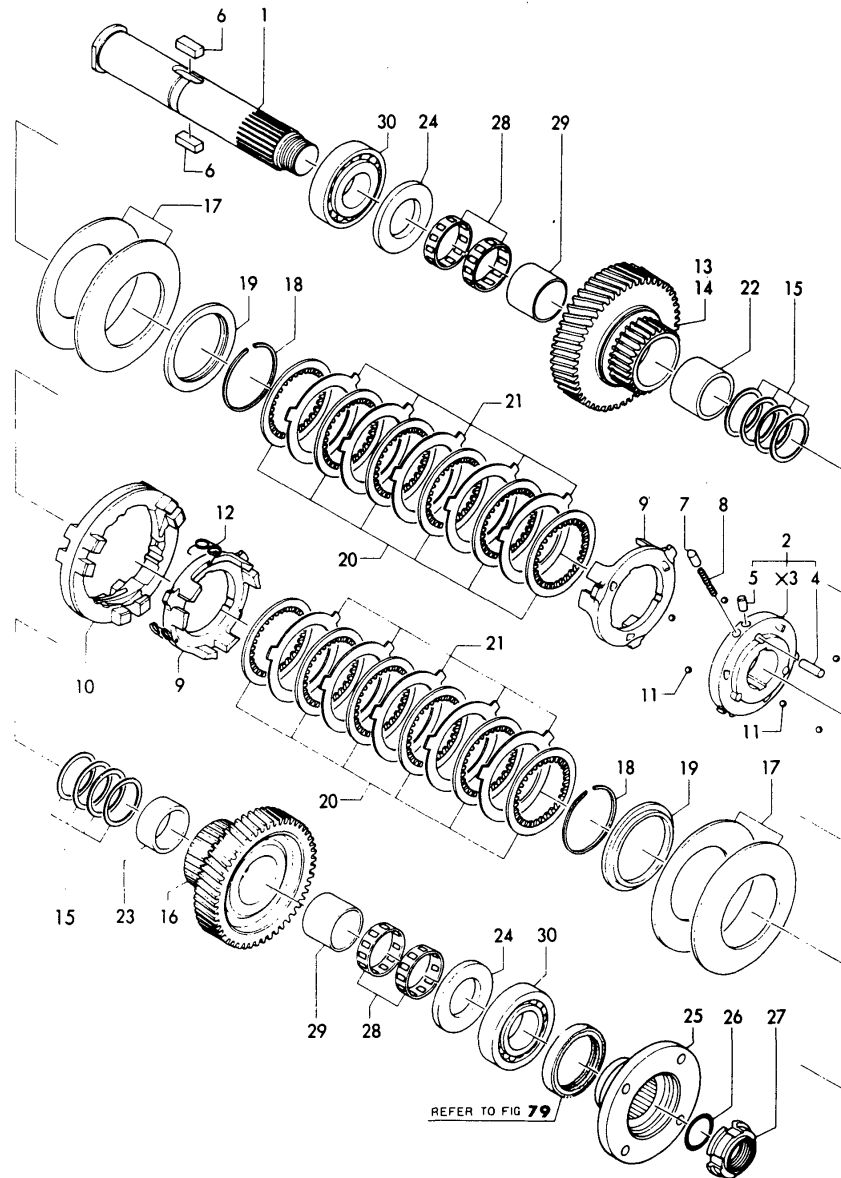
Fig.81 チュウカンジク
COUNTER SHAFT



REF.	LEV.	PARTS NO.	DESCRIPTION	Q'TY						I	R	
				(A)	(B)	(C)	(D)	(E)	(F)			
1	1	777075-03021	SHAFT ASSY.,COUNTER	1								
2	2	177075-03300	GEAR Z25	1								
3	2	177075-03311	SHAFT, COUNTER	1								
4	2	24311-000180	O-RING 1A P18.0	1								
5	2	177075-03320	WASHER, THRUST	2								
6	2	22242-000220	CIRCLIP 22-S	1								
7	2	24161-222916	BEARING	2								

Fig.82.OUTPUT SHAFT

Fig. **82** スイリョクジク
OUTPUT SHAFT



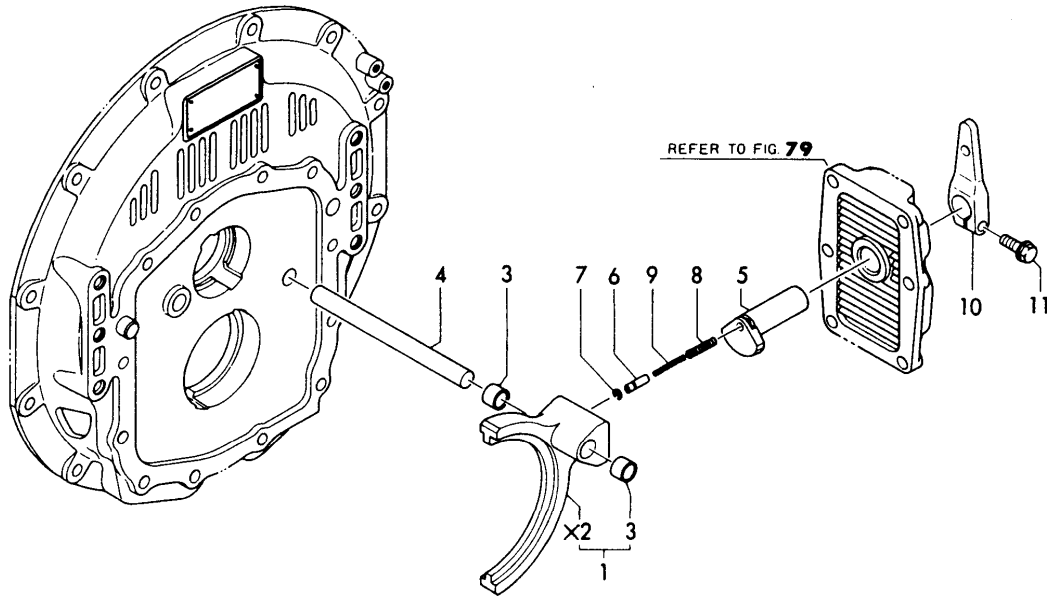
(A)=KBW-21
(B)=
(C)=

(D)=
(E)=
(F)=

REF.	LEV.	PARTS NO.	DESCRIPTION	----- QTY -----						I	R
				(A)	(B)	(C)	(D)	(E)	(F)		
1	1	177075-03020	OUTPUT SHAFT	1							
2	1	177075-03040	PLATE ASSY.,W/PIN	1							
4	2	177095-03030	PARALLEL PIN	3							
5	2	177095-03040	PARALLEL PIN	3							
6	1	177090-03230	FEATHER KEY	2							
7	1	177095-03190	KNOCK	3							
8	1	177095-03200	SPRING	3							
9	1	177075-03250	PLATE	2							
10	1	177075-03220	RING	1							
11	1	24190-120000	BALL 3/8	6							
12	1	177095-03210	SPRING	3							
13	1	177075-03640	GEAR Z52 I2.17	1							
14	1	177075-03090	GEAR Z55 I2.62	1							
15	1	177075-03800	SHIM SET	2							
16	1	177075-03110	GEAR Z55 , REVERSE	1							
17	1	177075-03960	SPRING	4							
18	1	177075-03280	SNAP RING WR65	2							
19	1	177075-03130	RETAINER	2							
20	1	177075-03880	DISK	12							
21	1	177020-03380	PLATE, STEEL	10							
22	1	177075-03160	SPACER (A)	1							
23	1	177075-03170	SPACER (B)	1							
24	1	177075-03270	COLLAR, THRUST	2							
25	1	177075-03550	COUPLING	1							
26	1	24311-000350	O-RING	1							
27	1	177075-03540	LOCK NUT	1							
28	1	24161-455017	BEARING	4							
29	1	177075-03470	RACE	2							
30	1	24141-302080	BEARING	2							

Fig.83.CONTROL DEVICE

Fig. **83** ソウジュウソウチ
CONTROL DEVICE



(A)=KBW-21
(B)=
(C)=

(D)=
(E)=
(F)=

REF.	LEV.	PARTS NO.	DESCRIPTION	QTY						I	R	
				(A)	(B)	(C)	(D)	(E)	(F)			
1	1	177075-06011	SHIFT FORK W/BEARING	1								
3	2	177095-06070	BEARING	2								
4	1	177075-06040	BAR	1								
5	1	177095-06030	CAM	1								
6	1	177095-06050	KNOCK	1								
7	1	177095-06140	SNAP RING	1								
8	1	177095-03200	SPRING	1								
9	1	177095-06060	SPRING	1								
10	1	177075-06050	LEVER, CONTROL	1								
11	1	26106-080252	BOLT M 8X25	1								

Fig.84.TOOLS(OPTIONAL PARTS)

(A)=KBW-21

(B)=

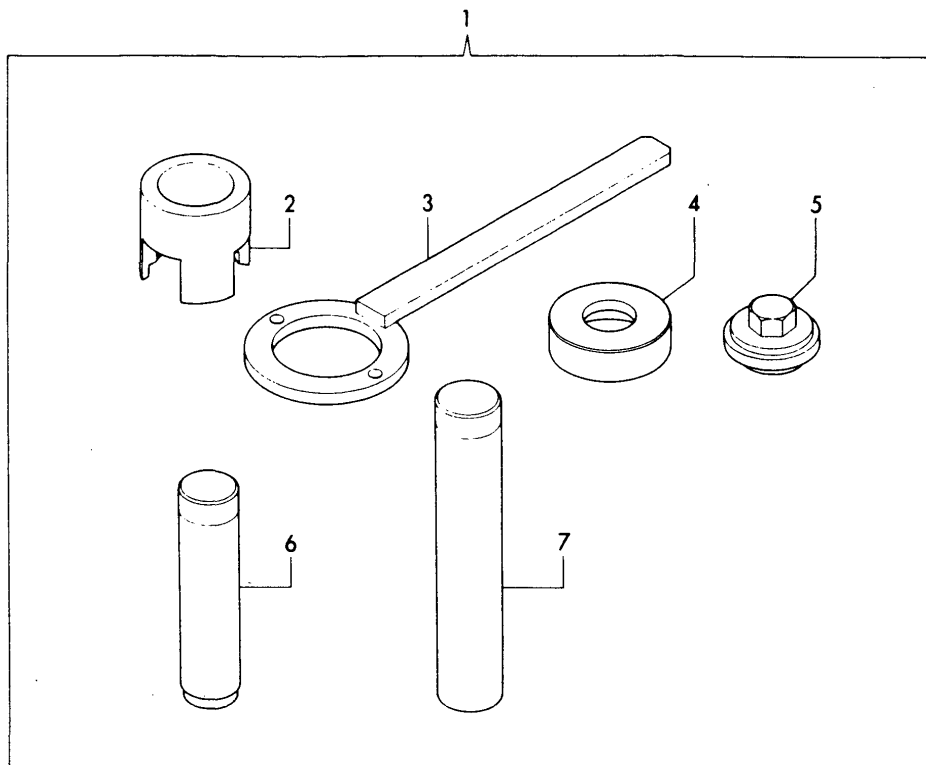
(C)=

(D)=

(E)=

(F)=

Fig.84 ブンカイコウグ(トクベツチュウモンブヒン)
TOOLS (OPTIONAL PARTS)



REF.	LEV.	PARTS NO.	DESCRIPTION	Q'TY						I	R
				(A)	(B)	(C)	(D)	(E)	(F)		
1	1	777075-09500	TOOLS ASSY.	1							
2	2	177095-09070	RETAINER	1							
3	2	177075-09050	STOPPER	1							
4	2	177075-09010	SPACER	1							
5	2	177075-09020	SOCKET	1							
6	2	177075-09030	DRIVING TOOL (A	1							
7	2	177075-09040	DRIVING TOOL (B	1							

Fig.85.TURBOCHARGEAR COMPONENT PARTS

(A)=4JH-DTE

(B)=

(C)=

(D)=

(E)=

(F)=

REF.	LEV.	PARTS NO.	DESCRIPTION	----- QTY -----						I	R
				(A)	(B)	(C)	(D)	(E)	(F)		
I	1	129474-18001 (A=E30946)	TURBOCHARGER(RHB52HW	1							
I	2	2 XNN131570 (A=E30946)	SHAFT,TURBO.	1							
	3	3 XN131004	OIL DRIP	1							
	4	3 XN131008	SEAL RING	1							
	5	3 XNB131008	SEAL RING	1							
	6	3 XN131106	SEAL RING	1							
	7	3 XN131108	LOCK NUT	1							
	8	2 XN131005	BUSH,THRUST	1							
	9	2 XNN136606	WHEEL BR348C	1							
I	10	2 XNE924350 (A=E30946)	HOUSING,BLOWER	1							
	11	3 XNB134007	BOLT M 5	6							
	12	3 XNN134035	RETAINER	6							
I	13	2 XNE929010	HOUSING,TURBO.	1							
	14	3 XNN137007	BOLT M 6	4							
	15	3 XNN137423	BRACKET	4							
	16	3 XNN137055	HEAT PROTECTOR	1							
I	17	2 XNE923300 (A=E30946)	HOUSING,BEARING	1							
	18	3 XN133204	RETAINING RING	3							
I	19	3 XNB133206 (A=E30946)	SCREW	4							
I	20	3 XNB133208 (A=E30946)	SCREW	3							
	21	2 XN133001	SEAL PLATE	1							
	22	2 XN133504	BEARING	2							
	23	2 XN133505	BEARING,THRUST	1							
	24	2 XN977007	LOCK WASHER	7							
	25	2 XN193653	PACKING,RIQUID	1							
	26	2 XNN193655	PACKING,RIQUID	1							