

OCF10-M24401EN

PREFACE

1 . This parts catalog covers the parts of Revised Edition Model 4JH, 4JH-T, 4JH-HT
(Pub. No. 000Y00F1546).

Please discard this old parts catalog.

2 . Engine Painting Color Urethane Metallic Echol Silver.

Parts No.	977620-10070	1 ℓ (can)
	977620-40070	4 ℓ (can)
	977620-30071	Spray (one)

※ Replacement parts painted in Metallic Echol Silver are supplied

3 . Specifications

Model		4JH	4JH-T	4JH-HT		
Cylinder × Bore × Stroke		4 × 78mm × 86mm				
Firing System		Direct injection type				
Valve System		2Valve type				
Starting System		12V – 1.8kW				
Drection of rotation (viewed form stern)	Crank shaft	Counter clockwise				
	Propeller shaft	Clockwise				
Power take-off position		Flywheel Side				
Supercharger		—	Exh. gas Turbocharger			
Cooling System and Water Volum		Fresh water cooling 6.0 ℓ (Sub TANK 0.8 ℓ)				
LuB. Oil Volum	Eng. side	6.5 ℓ				
	Clutch side	2.3 ℓ			2.4 ℓ	
Clutch		YX-10			YX-15	
Reduction ratio		2.54	3.13	3.50	2.58	3.10 3.53

4 . Outdrive and Applicable Clutch, Model Code

Model	Model Code
4JH	Q29490A. 129490D, E, F,
4JH-T	Q29492A. 129492D, E, F,
4JH-HT	Q29494A. 129494D, E, F,

Contents

OCF10-M24401

Fig. No.	Fig. Name
4JH(T,HT)	
1.	CYLINDER BLOCK
2.	GEARS HOUSING
3.	FLYWHEEL HOUSING
4.	LUB.OIL SUMP
5.	LABELS
6.	ENGINE BRACKET
7.	CYLINDER HEAD
8.	CYLINDER HEAD
9.	BONNET
10.	SUCTION MANIFOLD
11.	SUCTION MANIFOLD
12.	SUCTION MANIFOLD
13.	EXHAUST BEND
14.	EXHAUST BEND
15.	CAMSHAFT
16.	TURBOCHARGER
17.	AIR COOLER
18.	CRANKSHAFT
19.	PISTON & CONNECTING ROD
20.	BARANCER
21.	LUB.OIL COOLER
22.	LUB. OIL SUCTION PIPE
23.	LUB. OIL PIPE
24.	COOLING SEA WATER PUMP

Fig. No.	Fig. Name
25.	COOLING FRESH WATER PUMP
26.	COOLING FRESH WATER COOLER
27.	KINGSTON COCK
28.	FUEL INJECTION PUMP
29.	FUEL INJECTION PUMP
30.	FUEL INJECTION VALVE
31.	TIMER
32.	TIMER(PREVIOUS)
33.	TIMER(PREVIOUS)
34.	FUEL LINE
35.	GOVERNOR
36.	GOVERNOR(NOT BOOST COMPEMSATOR
37.	GOVERNOR(FOR B00ST COMPEMSATOR
38.	ENGINE STOP DEVICE
39.	COLD START DEVICE
40.	REMOTE CONTROL DEVICE
41.	STARTING MOTOR
42.	GENERATOR
43.	WIRE HARNESS & SENSOR
44.	INSTRUMENT PANEL (B TYPE)
45.	TOOLS
46.	CLUCH ASSY(YX-10)
47.	CLUCH ASSY (YX-15)
48.	ELECTRIC BILGE PUMP(12V)
49.	SEA WATER FILTER

Contents

0CF10-M24401

Fig. No. Fig. Name

50. ENGINE STOP DEVICE

51. INSTRUMENT PANEL (C TYPE)

52. SPECIAL TOOL

53. GASKET SET

54. SAFETY LABEL

55. INSTRUMENT PANEL(NEW B-4 TYPE)

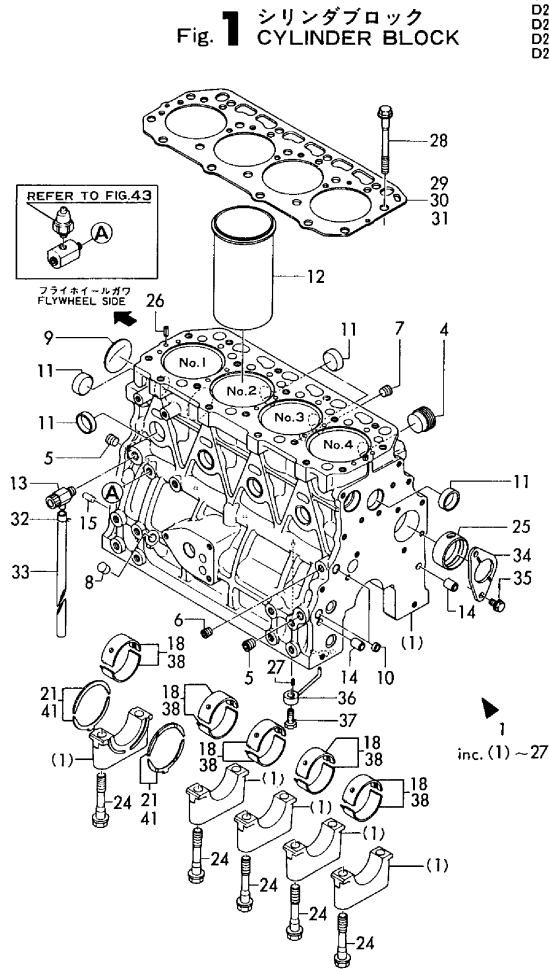
56. INSTRUMENT PANEL(NEW C-3 TYPE)

Fig. No. Fig. Name

Fig.1. CYLINDER BLOCK

(A)=4JH
(B)=4JH-T
(C)=4JH-HT

(D)=
(E)=
(F)=



SPEC. CODE
D29490-01100
D29550-02100
D29150-02200
D29472-39500

Fig.1 シリンダブロック
CYLINDER BLOCK

No.	Lev.	Parts No.	Description	Qty						I	R
				(A)	(B)	(C)	(D)	(E)	(F)		
1	1	729472-01560	BLOCK ASSY, CYLINDER	1	1	1					
4	3	171051-01921	PLUG, NPTF1	1	1	1					
5	3	124160-01910	PLUG, PT1/4	2	2	2					
6	3	124060-01050	PLUG, PT1/8	1	1	1					
6-1	3	23871-010000	PLUG, R01	1	1	1					N
		(A=EXXX) (B=EXXX) (C=EXXX)									
7	3	23871-030000	PLUG, R03	1	1	1					
8	3	27225-100140	PLUG, 10X14	1	1	1					
9	3	27231-500000	PLUG 50	1	1	1					
10	3	27241-120000	PLUG, 12	2	2	2					
11	3	27241-300000	PLUG 30	8	8	8					
12	2	129472-01100	SLEEVE, CYLINDER	4	4	4					
13	2	128371-01800	COCK ASSY, 1/4	1	1	1					
14	2	129795-01950	PIPE, KNOCK L=18	2	2	2					
15	2	22312-080160	PIN, PARALLEL M8X16	2	2	2					
18	2	729150-02800	BEARING, MAIN	5	5	5					
18-1	2	129150-02800	BEARING, MAIN	5	5	5					N
		(A=EXXX) (B=EXXX) (C=EXXX)									
21	2	729150-02930	BEARING, THRUST	2	2	2					
21-1	2	129150-02930	BEARING, THRUST	2	2	2					N
		(A=EXXX) (B=EXXX) (C=EXXX)									
24	2	129150-02020	BOLT, METAL CAP	10	10	10					
25	2	129795-02411	BUSH, CAMSHAFT	1	1	1					
26	2	22351-060012	PIN, SPRING 6.0X12	2	2	2					
27	2	22351-030010	PIN, SPRING 3.0X10	4	4	4					
28	1	129150-01200	BOLT, HEAD	18	18	18					
29	1	129553-01350	GASKET, HEAD T=1.4	1	1	1					2
30	1	129553-01340	GASKET, HEAD T=1.3	1	1	1					2
31	1	129553-01360	GASKET, HEAD T=1.5	1	1	1					1
31-1	1	129491-01360	GASKET, HEAD T=1.5	1	1	1					R 1
		(A=*1985.03) (B=*1985.03) (C=*1985.03)									
32	1	124460-77680	RETAINER	1	1	1					
33	1	23061-070300	PIPE, 7X 300	1	1	1					
34	1	129150-02450	BEARING, THRUST	1	1	1					
35	1	26106-080162	BOLT, M8X 16 PLATED	2	2	2					
36	1	129553-39650	NOZZLE	4	4	4					
37	1	23857-030000	BOLT, JOINT 3	4	4	4					
38	1	129150-02870	BEARING, 0.25 US	5	5	5					3
41	1	129150-02940	BEARING, THRUST 0.25	2	2	2					4

Remarks

- 1)STANDARD
- 2)ADJUSTMENT
- 3)UNDER-SIZED PART (0.25)
- 4)OVER-SIZED PART (0.25)

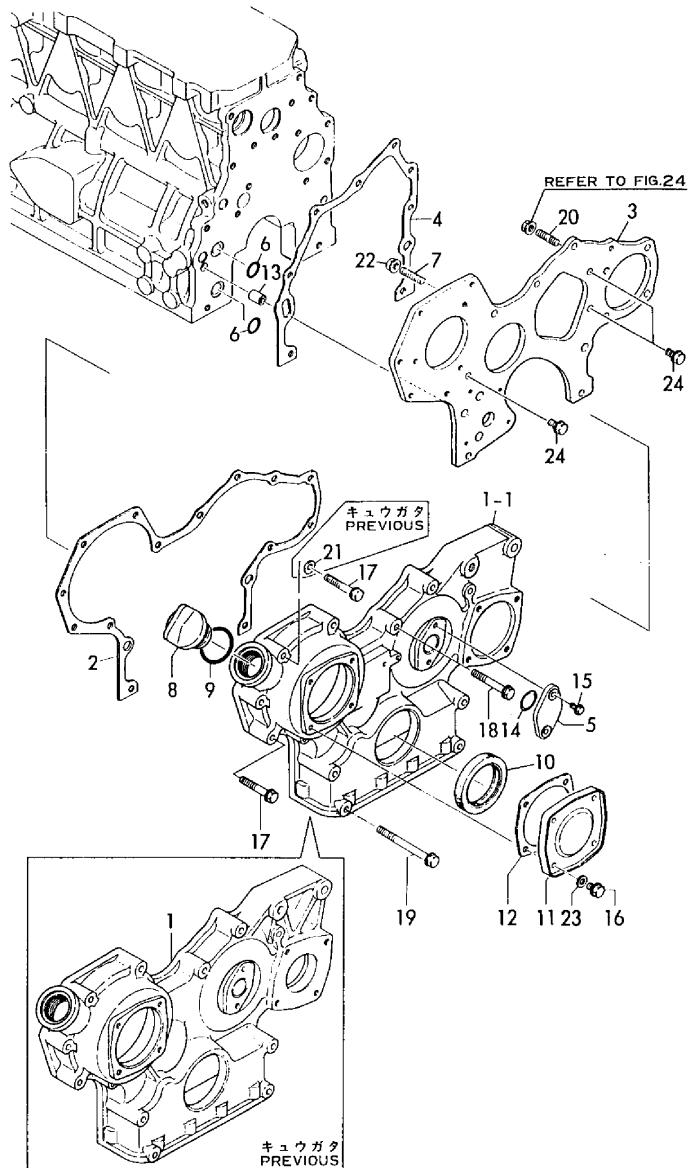
Fig.2. GEARS HOUSING

(A)=4JH
(B)=4JH-T
(C)=4JH-HT

(D)=
(E)=
(F)=

Fig.2 ギヤケース
GEAR HOUSING

SPEC. CODE
D29470-01200



No.	Lev.	Parts No.	Description	Q'ty						I	R
				(A)	(B)	(C)	(D)	(E)	(F)		
1	1	129470-01500	CASE, GEAR	1	1	1					
1-1	1	129470-01501	CASE, GEAR	1	1	1					R
		(A=*1987.10) (B=*1987.10) (C=*1987.10)									
2	1	129150-01510	GASKET, GEAR CASE	1	1	1					
2-1	1	129470-01510	GASKET, GEAR CASE	1	1	1					N
		(A=*1988.08) (B=*1988.08) (C=*1988.08)									
3	1	129150-01520	FLANGE, GEAR CASE	1	1	1					
4	1	129150-01530	GASKET, GEAR CASE	1	1	1					
4-1	1	129470-01530	GASKET	1	1	1					N
		(A=*1988.08) (B=*1988.08) (C=*1988.08)									
5	1	121023-01550	COVER	1	1	1					
6	1	129470-01550	O-RING	2	2	2					
7	1	121450-01560	STUD, M8X22	3	3	3					
8	1	124160-01751	COVER, FILLER	1	1	1					
9	1	24311-000320	O-RING, 1AP32.0	1	1	1					
10	1	129795-01800	SEAL, OIL	1	1	1					
11	1	129150-01870	COVER	1	1	1					
12	1	129150-01880	GASKET	1	1	1					
12-1	1	129470-01880	GASKET, GEAR CASE	1	1	1					N
		(A=*1988.08) (B=*1988.08) (C=*1988.08)									
12-2	1	129150-01881	GASKET	1	1	1					N
		(A=*1991.01) (B=*1991.01) (C=*1991.01)									
12-3	1	129C26-01890	GASKET, HO-P	1	1	1					R
		(A=EXXXXX) (B=EXXXXX) (C=EXXXXX)									
13	1	129795-01950	PIPE, KNOCK L=18	2	2	2					
14	1	24341-000260	O-RING, 1AS26.0	1	1	1					
15	1	26106-060122	BOLT, M6X 12 PLATED	2	2	2					
15-1	1	26106-060162	BOLT, M6X 16 PLATED	2	2	2					R
		(A=*1986.06) (B=*1986.06) (C=*1986.06)									
16	1	26106-080122	BOLT, M8X 12 PLATED	4	4	4					
17	1	26106-080452	BOLT, M8X 45 PLATED	6	6	6					
18	1	26106-080552	BOLT, M8X 55 PLATED	3	3	3					
19	1	26106-080852	BOLT, M8X 85 PLATED	4	4	4					
20	1	26216-080182	STUD, M8X 18	1	1	1					
21	1	22117-080000	WASHER, 8	1	1	1					Z
		(A=*1987.10) (B=*1987.10) (C=*1987.10)									
22	1	26366-080002	NUT, M8	3	3	3					
23	1	23414-080000	GASKET, 8X1.0	4	4	4					
24	1	26106-080162	BOLT, M8X 16 PLATED	3	3	3					W
		(A=EXXX) (B=EXXX) (C=EXXX)									

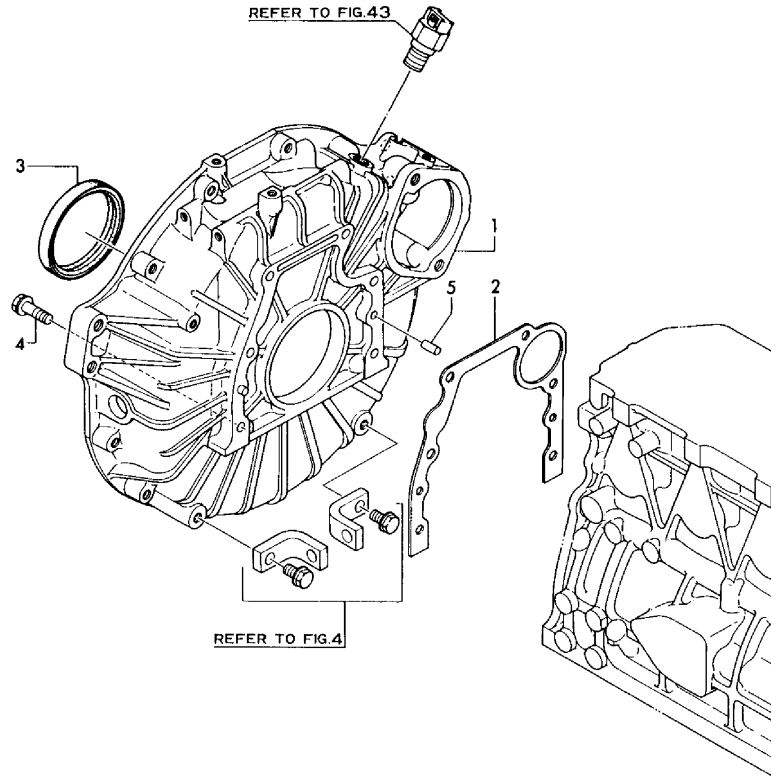
Fig.3. FLYWHEEL HOUSING

(A)=4JH
(B)=4JH-T
(C)=4JH-HT

(D)=
(E)=
(F)=

Fig.3 フライホイールハウジング
FLYWHEEL HOUSING

SPEC. CODE
D29400-01300



No.	Lev.	Parts No.	Description	Qty						I	R	
				(A)	(B)	(C)	(D)	(E)	(F)			
1	1	129400-01600	HOUSING, FLYWHEEL	1	1	1						
2	1	129100-01620	GASKET	1	1	1						
2-1	1	129470-01620	GASKET	1	1	1						N
		(A=*1988.08)	(B=*1988.08)	(C=*1988.08)								
3	1	129795-01780	SEAL, OIL	1	1	1						
4	1	26106-100302	BOLT, M10X 30 PLATED	6	6	6						
5	1	22312-080160	PIN, PARALLEL M8X16	2	2	2						

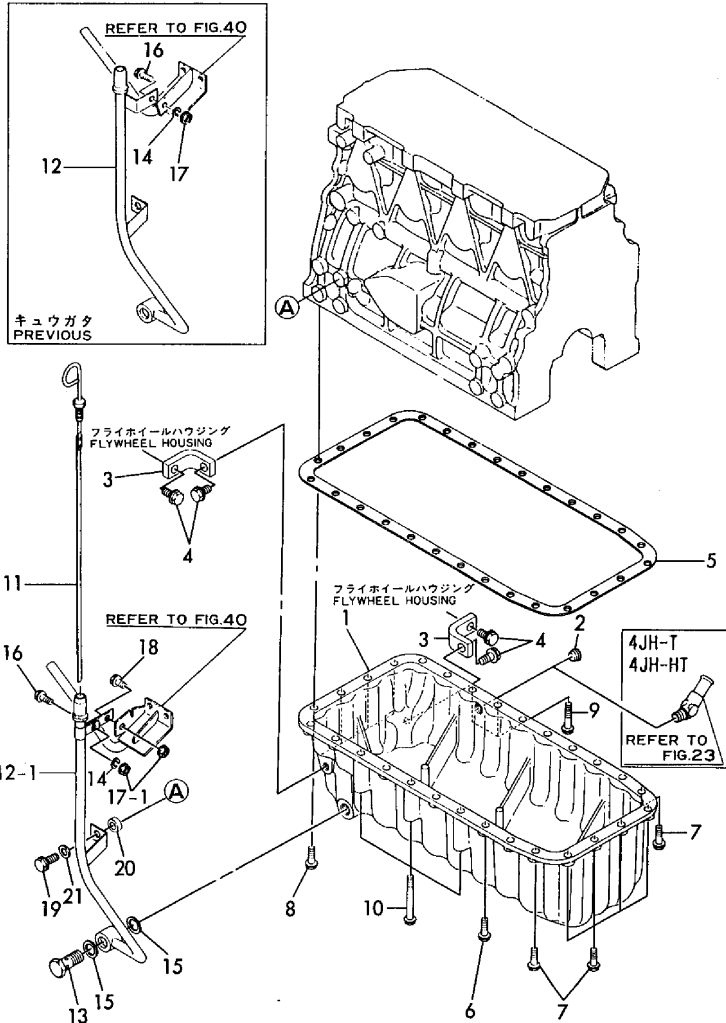
Fig.4. LUB.OIL SUMP

(A)=4JH
(B)=4JH-T
(C)=4JH-HT

(D)=
(E)=
(F)=

Fig.4 オイルパン
LUB. OIL SUMP

SPEC. CODE
D29470-01700
D29472-01700
D29590-34200

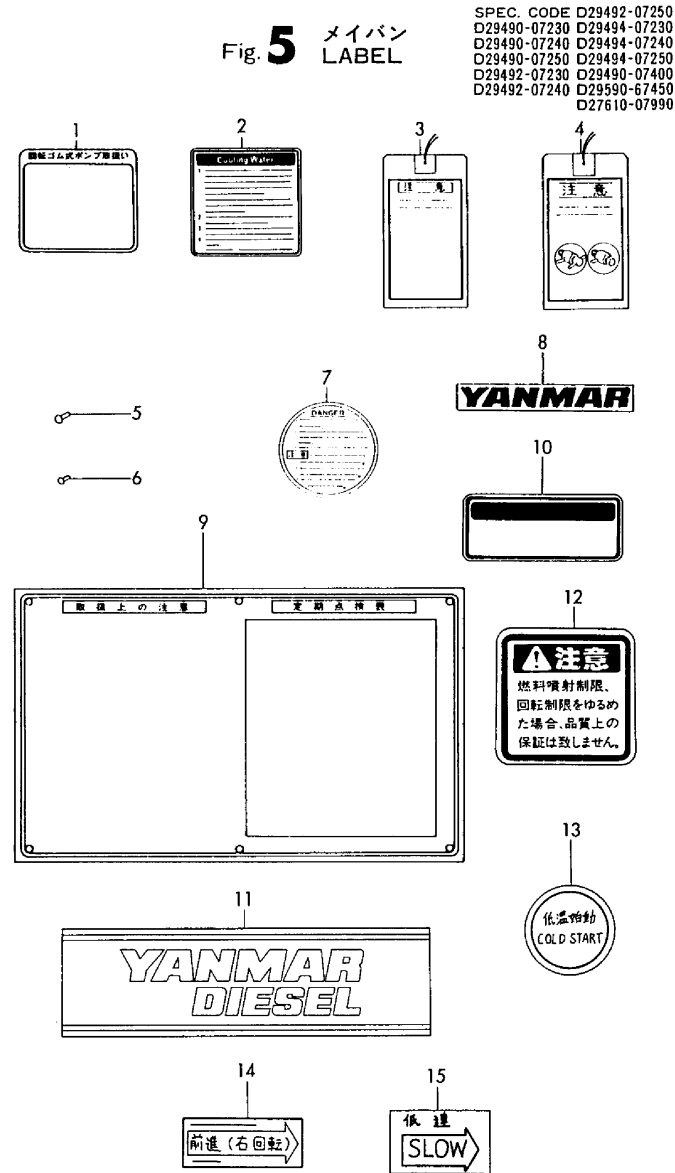


No.	Lev.	Parts No.	Description	Q'ty						I	R
				(A)	(B)	(C)	(D)	(E)	(F)		
1	1	129470-01700	SUMP, OIL	1	1	1					
2	1	23871-030000	PLUG, R03	1							
3	1	129470-01710	BRACKET	2	2	2					
4	1	26106-100252	BOLT, M10X 25 PLATED	4	4	4					
5	1	129400-01750	GASKET, OIL SUMP	1	1	1					
5-1	1	129470-01750	GASKET, OIL SUMP	1	1	1					N
		(A=*1988.08) (B=*1988.08) (C=*1988.08)									
6	1	26106-080252	BOLT, M8X 25 PLATED	13	13	13					
7	1	26106-080252	BOLT, M8X 25 PLATED	6	6	6					
8	1	26106-080252	BOLT, M8X 25 PLATED	4	4	4					
9	1	26106-080402	BOLT, M8X 40 PLATED	2	2	2					
10	1	26106-080702	BOLT, M8X 70 PLATED	3	3	3					
11	1	129470-34850	DIPSTICK, OIL	1	1	1					
12	1	129470-34860	GUIDE, DIPSTICK	1	1	1					
12-1	1	129590-34860	GUIDE, DIPSTICK	1	1	1					S
		(A=*1987.02) (B=*1987.02) (C=*1987.02)									
13	1	104214-39720	BOLT	1	1	1					
14	1	22217-080000	WASHER, SPRING 8	1	1	1					
15	1	23414-160000	GASKET, 16X1.0	2	2	2					
16	1	26106-080162	BOLT, M8X 16 PLATED	1	1	1					
17	1	26366-080002	NUT, M8	1	1	1					
17-1	1	26366-080002	NUT, M8	2	2	2					K
		(A=*1987.06) (B=*1987.06) (C=*1987.06)									
18	1	26106-080122	BOLT, M8X 12 PLATED	1	1	1					W
		(A=*1987.06) (B=*1987.06) (C=*1987.06)									
19	1	26106-100252	BOLT, M10X 25 PLATED	1	1	1					W
		(A=*1988.05) (B=*1988.05) (C=*1988.05)									
20	1	129301-34830	SPACER	1	1	1					W
		(A=*1988.05) (B=*1988.05) (C=*1988.05)									
21	1	22217-100000	WASHER, SPRING 10	1	1	1					W
		(A=*1988.05) (B=*1988.05) (C=*1988.05)									

Fig.5. LABELS

(A)=4JH
(B)=4JH-T
(C)=4JH-HT

(D)=
(E)=
(F)=



No.	Lev.	Parts No.	Description	Q'ty						I	R
				(A)	(B)	(C)	(D)	(E)	(F)		
1	1	135665-07200	LABEL, CAUTION	1	1	1					
2	1	123682-07350	LABEL	1	1	1					
2-1	1	129198-07350	LABEL	1	1	1					N
3	1	126630-07360	LABEL, TANK CAUTION	1	1	1					
4	1	123682-07850	LABEL, CAUTION	1	1	1					
5	1	102210-07990	RIVET	4	4	4					
6	1	102210-07990	RIVET								4
7	1	120445-44620	LABEL, CAUTION	1	1	1					
8	1	42220-008960	LABEL, YANMAR								1
9	1	129490-07450	LABEL	1	1	1					
10	1	129495-07040	LABEL	1	1	1					
11	1	127610-07990	LABEL	2	2	2					W
12	1	120322-07410	LABEL	1	1	1					W
13	1	129590-67450	LABEL							1	W 1
14	1	177055-02950	LABEL	1	1	1					W
15	1	177058-02450	LABEL	1	1	1					W

Remarks
(1) OPTIONAL PART.

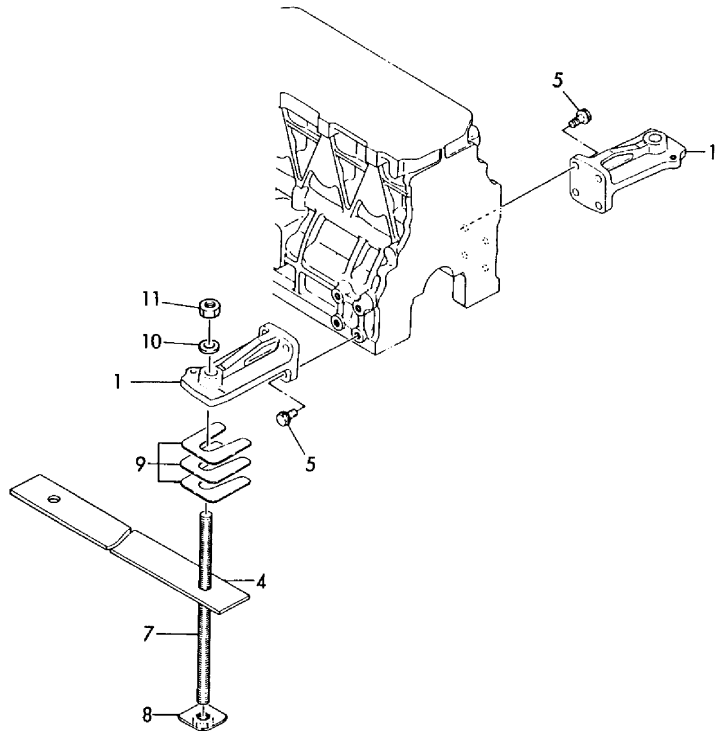
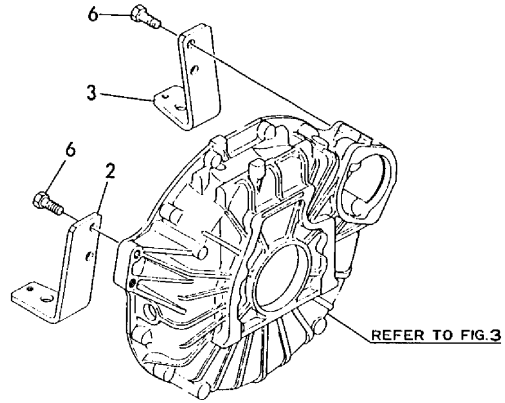
Fig.6. ENGINE BRACKET

(A)=4JH
(B)=4JH-T
(C)=4JH-HT

(D)=
(E)=
(F)=

Fig.6 マウンティングフット
ENGINE BRACKET

SPEC. CODE
D29490-08100
D20130-92020



No.	Lev.	Parts No.	Description	Qty						I	R
				(A)	(B)	(C)	(D)	(E)	(F)		
1	1	129490-08100	FOOT, MOUNTING	2	2	2					
2	1	129490-08110	FOOT, MOUNTING	1	1	1					
3	1	129490-08120	FOOT, MOUNTING	1	1	1					
4	1	129490-08130	PLATE	2	2	2					
5	1	26106-100202	BOLT, M10X 20 PLATED	8	8	8					
6	1	26116-120302	BOLT, M12X 30 PLATED	4	4	4					
7	1	124220-92700	BOLT, FOUNDATION	4	4	4					
8	1	124220-92920	NUT ASSY	4	4	4					
9	1	123672-92950	SHIM	1	1	1					
10	1	22212-140000	SPRING WASHER 14	4	4	4					
11	1	26716-140002	NUT, M14	4	4	4					

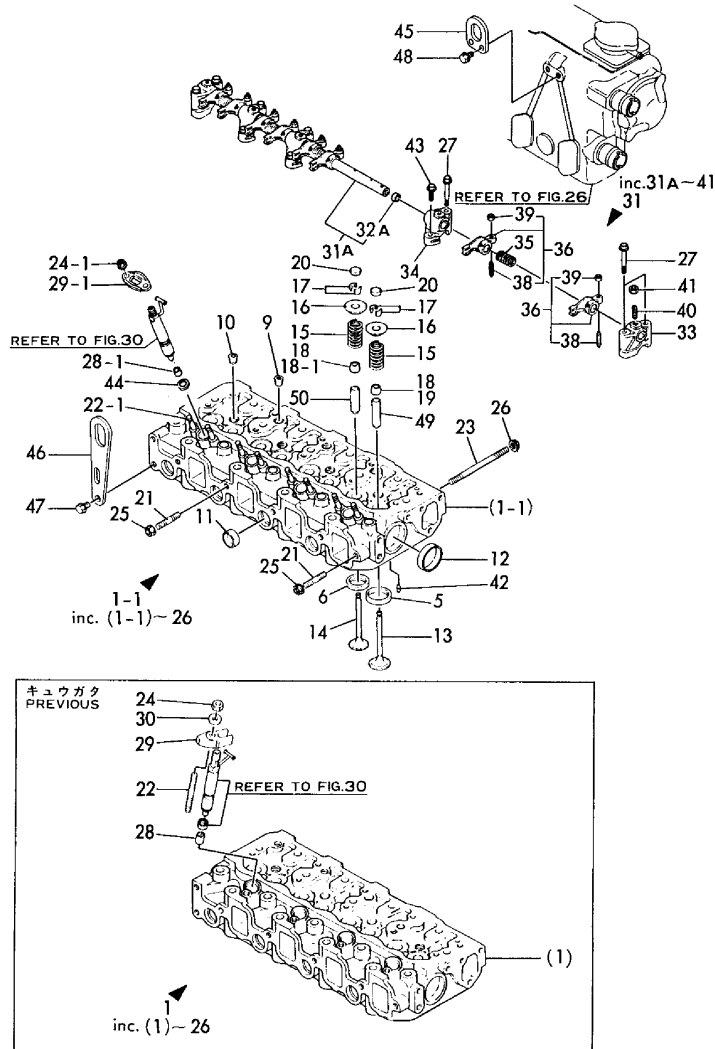
Fig.7. CYLINDER HEAD

(A)=4JH
(B)=4JH-T
(C)=4JH-HT

(D)=
(E)=
(F)=

Fig.7 シリンダヘッド(4JH)
CYLINDER HEAD

SPEC. CODE
D29470-07300
D29495-11111



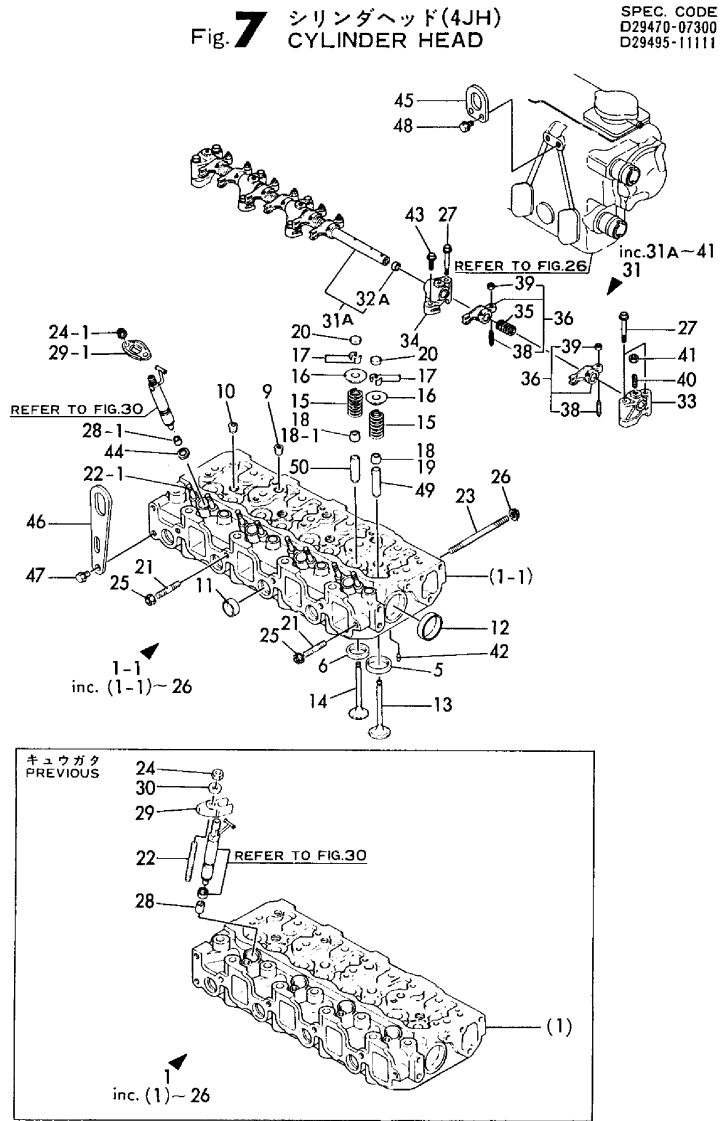
No.	Lev.	Parts No.	Description	Q'ty						I	R
				(A)	(B)	(C)	(D)	(E)	(F)		
1	1	729497-11700	HEAD ASSY, CYLINDER	1							
1-1	1	729497-11701	HEAD ASSY, CYLINDER	1							S
				(A=*1985.06)							
5	3	129795-11080	SEAT, INTAKE VALVE	4							
6	3	129795-11090	SEAT, EXHAUST VALVE	4							
9	3	121850-11860	PLUG, PT1/4	3							
10	3	23871-030000	PLUG, R03	4							
11	3	27241-220000	PLUG, 22	4							
12	3	27241-400000	PLUG, 40	2							
13	2	129120-11100	VALVE, INTAKE	4							
14	2	129120-11110	VALVE, EXHAUST	4							
15	2	129795-11120	SPRING, VALVE	8							
16	2	129795-11180	RETAINER, SPRING	8							
17	2	103338-11190	COTTER	8							
18	2	121400-11340	SEAL, VALVE STEM	8							
18-1	2	124460-11340	SEAL, VALVE STEM	4							K
				(A=*1986.02)							
19	2	121400-11340	SEAL, VALVE STEM	4							W
				(A=*1986.02)							
20	2	129150-11370	CAP, VALVE	8							
21	2	26216-080222	STUD, M8X 22	2							
22	2	26216-080302	STUD, M8X 30	4							
22-1	2	26216-060202	STUD, M6X 20	8							S
				(A=*1985.06)							
23	2	26216-081002	STUD, M8X100	2							
24	2	26716-080002	NUT, M8	4							
24-1	2	26367-060002	NUT, M6	8							S
				(A=*1985.06)							
25	2	26366-080002	NUT, M8	2							
26	2	26366-080002	NUT, M8	2							
27	1	26106-080502	BOLT, M8X 50 PLATED	7							
28	1	129150-11900	PROTECTOR	4							
28-1	1	119625-11870	PROTECTOR, NOZZLE	4							S
				(A=*1985.06)							
29	1	129150-11930	RETAINER, NOZZLE	4							
29-1	1	119625-11900	RETAINER, NOZZLE	4							S
				(A=*1985.06)							
30	1	129150-11940	WASHER	4							Z
				(A=*1985.06)							
31	1	129550-11240	SHAFT ASSY, ROCKER	1							
31-1	1	129555-11241	SHAFT ASSY, ROCKER	1							R
				(A=*1988.05)							
31A	2	129550-11290	SHAFT, ROCKER ARM	1							W
				(A=*1988.05)							
32A	3	27241-100000	PLUG, 10	2							W
				(A=*1988.05)							
33	2	129150-11260	SUPPORT, ROCKER ARM	2							
33-1	2	129155-11260	SUPPORT, ROCKER ARM	2							R
				(A=*1988.05)							
34	2	129150-11270	SUPPORT, ROCKER ARM	3							
34-1	2	129155-11270	SUPPORT, ROCKER ARM	3							R

Remarks
1) REPAIR PART.

Fig.7. CYLINDER HEAD

(A)=4JH
(B)=4JH-T
(C)=4JH-HT

(D)=
(E)=
(F)=



SPEC. CODE
D29470-07300
D29495-11111

No.	Lev.	Parts No.	Description	Q'ty						I	R
				(A)	(B)	(C)	(D)	(E)	(F)		
(A=*1988.05)											
35	2	129150-11280	SPRING	4							
36	2	729150-11650	ARM ASSY, ROCKER	8							
36-1	2	729402-11650	ARM ASSY, ROCKER	8							N
(A=*1990.06)											
38	3	129150-11230	SCREW, VALVE ADJUST	8							
39	3	129150-11750	NUT, M8	8							
40	2	26226-080182	STUD, M8X 18	3							
41	2	26756-080002	NUT, LOCK M8	3							
42	1	22351-060012	PIN, SPRING 6.0X12	2							
43	1	26106-080252	BOLT, M8X 25 PLATED	3							
44	1	119625-11880	SEAT, NOZZLE	4							W
(A=*1985.06)											
45	1	129470-07230	LIFTER	1							
46	1	124736-07900	LIFTER	1							
46-1	1	129171-07900	LIFTER	1							R
(A=*1990.12)											
47	1	26106-080142	BOLT, M8X 14 PLATED	2							
48	1	26106-080162	BOLT, M8X 16 PLATED	2							
49	1	120130-11860	GUIDE, VALVE	4							1
50	1	129150-11810	GUIDE, VALVE	4							1

Remarks
1) REPAIR PART.

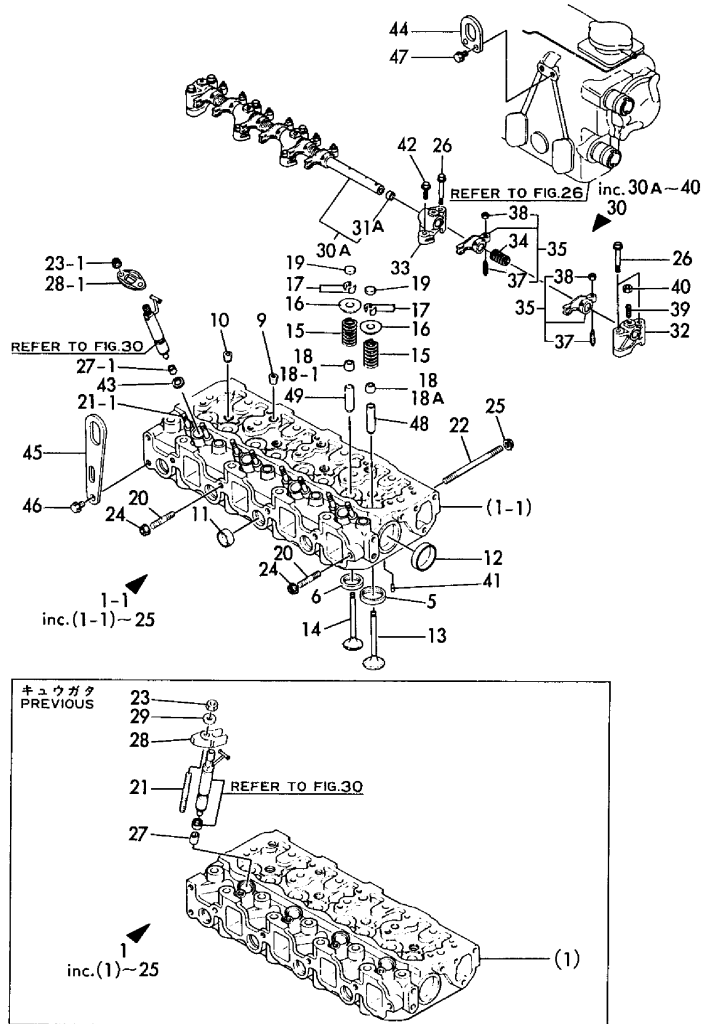
Fig.8. CYLINDER HEAD

(A)=4JH
(B)=4JH-T
(C)=4JH-HT

(D)=
(E)=
(F)=

Fig.8 シリンダヘッド(4JH-T,HT)
CYLINDER HEAD

SPEC. CODE
D29470-07300
D29499-11100



No.	Lev.	Parts No.	Description	Q'ty						I	R
				(A)	(B)	(C)	(D)	(E)	(F)		
1	1	729495-11700	HEAD ASSY, CYLINDER	1	1						
1-1	1	729499-11700	HEAD ASSY, CYLINDER	1	1						S
		(B=*1985.06)									
		(C=*1985.06)									
5	3	129795-11080	SEAT, INTAKE VALVE	4	4						
6	3	129795-11090	SEAT, EXHAUST VALVE	4	4						
9	3	121850-11860	PLUG, PT1/4	3	3						
10	3	23871-030000	PLUG, R03	4	4						
11	3	27241-220000	PLUG, 22	4	4						
12	3	27241-400000	PLUG, 40	2	2						
13	2	129120-11100	VALVE, INTAKE	4	4						
14	2	129120-11110	VALVE, EXHAUST	4	4						
15	2	129795-11120	SPRING, VALVE	8	8						
16	2	129795-11180	RETAINER, SPRING	8	8						
17	2	103338-11190	COTTER	8	8						
18	2	121400-11340	SEAL, VALVE STEM	8	8						
18-1	2	121400-11340	SEAL, VALVE STEM	4	4						K
		(B=*1986.02)									
		(C=*1986.02)									
18A	2	124460-11340	SEAL, VALVE STEM	4	4						W
		(B=*1986.02)									
		(C=*1986.02)									
19	2	129150-11370	CAP, VALVE	8	8						
20	2	26216-080222	STUD, M8X 22	2	2						
21	2	26216-080302	STUD, M8X 30	4	4						
21-1	2	26216-060202	STUD, M6X 20	8	8						S
		(B=*1985.06)									
		(C=*1985.06)									
22	2	26216-081002	STUD, M8X100	2	2						
23	2	26716-080002	NUT, M8	4	4						
23-1	2	26367-060002	NUT, M6	8	8						S
		(B=*1985.06)									
		(C=*1985.06)									
24	2	26366-080002	NUT, M8	2	2						
25	2	26366-080002	NUT, M8	2	2						
26	1	26106-080502	BOLT, M8X 50 PLATED	7	7						
27	1	129150-11900	PROTECTOR	4	4						
27-1	1	119625-11870	PROTECTOR, NOZZLE	4	4						S
		(B=*1985.06)									
		(C=*1985.06)									
28	1	129150-11930	RETAINER, NOZZLE	4	4						
28-1	1	119625-11900	RETAINER, NOZZLE	4	4						S
		(B=*1985.06)									
		(C=*1985.06)									
29	1	129150-11940	WASHER	4	4						Z
		(B=*1985.06)									
		(C=*1985.03)									
30	1	129550-11240	SHAFT ASSY, ROCKER	1	1						
30-1	1	129555-11241	SHAFT ASSY, ROCKER	1	1						R
		(B=*1985.03)									
		(C=*1988.05)									
30A	2	129550-11290	SHAFT, ROCKER ARM	1	1						W
		(B=*1985.05)									
		(C=*1988.05)									
31A	3	27241-100000	PLUG, 10	2	2						W
		(B=*1988.05)									
		(C=*1988.05)									
32	2	129150-11260	SUPPORT, ROCKER ARM	2	2						
32-1	2	129155-11260	SUPPORT, ROCKER ARM	2	2						R
		(B=*1988.05)									
		(C=*1988.05)									
33	2	129150-11270	SUPPORT, ROCKER ARM	3	3						
33-1	2	129155-11270	SUPPORT, ROCKER ARM	3	3						R

Remarks
1) REPAIR PART.

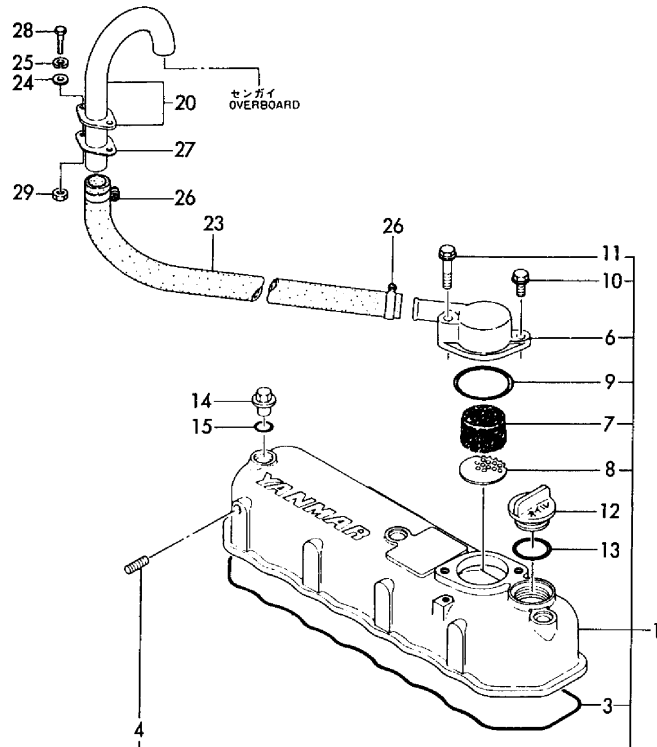
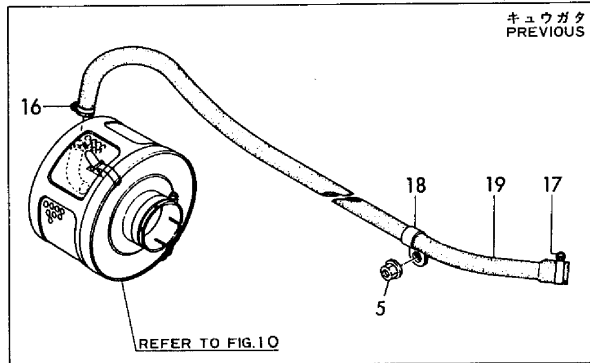
Fig.9. BONNET

(A)=4JH
(B)=4JH-T
(C)=4JH-HT

(D)=
(E)=
(F)=

Fig.9 ボンネット& ブリーザ
BONNET & BREATHER

SPEC. CODE
D29497-03100
D29470-11200
D29497-03200



No.	Lev.	Parts No.	Description	Q'ty						I	R
				(A)	(B)	(C)	(D)	(E)	(F)		
1	1	729470-11520	BONNET ASSY, HEAD	1	1	1					
3	2	129550-11310	GASKET, BONNET	1	1	1					
4	2	121850-01910	STUD, M8X12	1	1	1					
5	2	26366-080002	NUT, M8	1	1	1					Z
		(A=*1986.11) (B=*1986.11) (C=*1986.11)									
6	2	129470-03010	COVER, BREATHER	1	1	1					
7	2	129150-03070	BAFFLE, BREATHER	1	1	1					
8	2	121750-03080	PLATE, BAFFLE	1	1	1					
9	2	24341-000530	O-RING, 1AS53.0	1	1	1					
10	2	26106-080202	BOLT, M8X 20 PLATED	1	1	1					
11	2	26106-080402	BOLT, M8X 40 PLATED	1	1	1					
12	1	124160-01751	COVER, FILLER	1	1	1					
13	1	24311-000320	O-RING, 1AP32.0	1	1	1					
14	1	124160-11360	KNOB	3	3	3					
15	1	24311-000120	O-RING, 1AP12.0	3	3	3					
16	1	23000-019000	CLAMP, 19	1	1	1					Z
		(A=*1986.11) (B=*1986.11) (C=*1986.11)									
17	1	23000-025000	CLAMP, 25	1	1	1					Z
		(A=*1986.11) (B=*1986.11) (C=*1986.11)									
18	1	23297-160081	CLAMP, A16X 8	1	1	1					Z
		(A=*1986.11) (B=*1986.11) (C=*1986.11)									
19	1	129472-03090	PIPE, BREATHER	1	1	1					Z
		(A=*1986.11) (B=*1986.11) (C=*1986.11)									
20	1	129497-03100	PIPE ASSY, BREATHER	1	1	1					W
		(A=*1986.11) (B=*1986.11) (C=*1986.11)									
23	1	129497-03130	PIPE, BREATHER	1	1	1					W
		(A=*1986.11) (B=*1986.11) (C=*1986.11)									
24	1	22137-100000	WASHER, 10	2	2	2					W
		(A=*1986.11) (B=*1986.11) (C=*1986.11)									
25	1	22217-100000	WASHER, SPRING 10	2	2	2					W
		(A=*1986.11) (B=*1986.11) (C=*1986.11)									
26	1	23000-028000	CLAMP, 28	2	2	2					W
		(A=*1986.11) (B=*1986.11) (C=*1986.11)									
27	1	23421-210000	GASKET, 21X1.5	1	1	1					W
		(A=*1986.11) (B=*1986.11) (C=*1986.11)									
28	1	26113-100402	BOLT M10X 40	2	2	2					W
		(A=*1986.11) (B=*1986.11) (C=*1986.11)									
29	1	26713-100002	NUT, M10	2	2	2					W
		(A=*1986.11) (B=*1986.11) (C=*1986.11)									

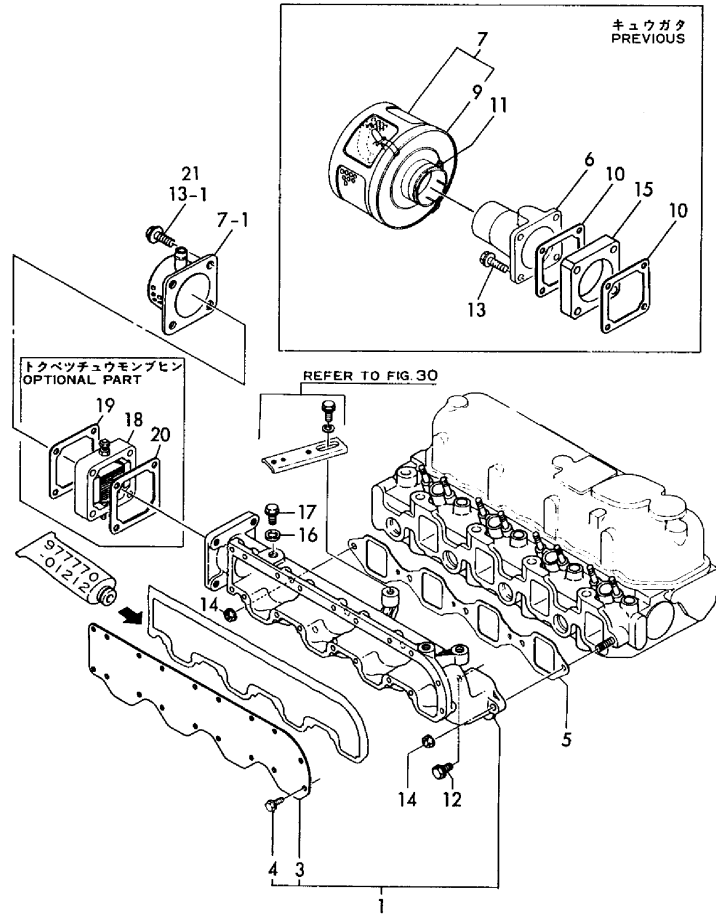
Fig.10. SUCTION MANIFOLD

(A)=4JH
(B)=4JH-T
(C)=4JH-HT

(D)=
(E)=
(F)=

Fig. 10 キュウキマニホールド(4JH)
SUCTION MANIFOLD

SPEC. CODE
D29495-12101
D29470-77500



No.	Lev.	Parts No.	Description	Q'ty						I	R
				(A)	(B)	(C)	(D)	(E)	(F)		
1	1	129470-12100	MANIFOLD ASSY,INTAKE	1							
3	2	129470-12120	COVER, MANIFOLD	1							
4	2	26476-060142	SCREW, TAPPING M6X14	18							
5	1	129550-12110	GASKET, MANIFOLD	1							
5-1	1	129470-12130 (A=*1988.08)	GASKET, MANIFOLD	1							R
6	1	129470-12200 (A=*1985.04)	JOINT	1							Z
7	1	129470-12300	SILENCER ASSY	1							
7-1	1	129495-12550 (A=*1985.04)	SCREEN	1							N
9	2	129470-12320 (A=*1985.04)	PLATE	1							Z
10	1	129150-77510 (A=*1985.04)	GASKET	2							Z
11	1	23000-054000 (A=*1985.04)	CLAMP, 54	1							Z
12	1	26106-080202	BOLT, M8X 20 PLATED	3							
13	1	26106-080352	BOLT, M8X 35 PLATED	4							
13-1	1	26106-080122 (A=*1985.04)	BOLT, M8X 12 PLATED	4							N
14	1	26366-080002	NUT, M8	2							
15	1	129495-12210 (A=*1985.04)	SPACER	1							Z
16	1	23414-100000 (A=*1987.02)	GASKET, 10X1.0	1							W
17	1	26106-100122 (A=*1987.02)	BOLT, M10X 12 PLATED	1							W
18	1	129100-77500	HEATER, AIR 12V	1							1
19	1	129100-77510	GASKET	1							1
20	1	129470-77590	GASKET	1							1
21	1	26106-080402	BOLT, M8X 40 PLATED	4							1

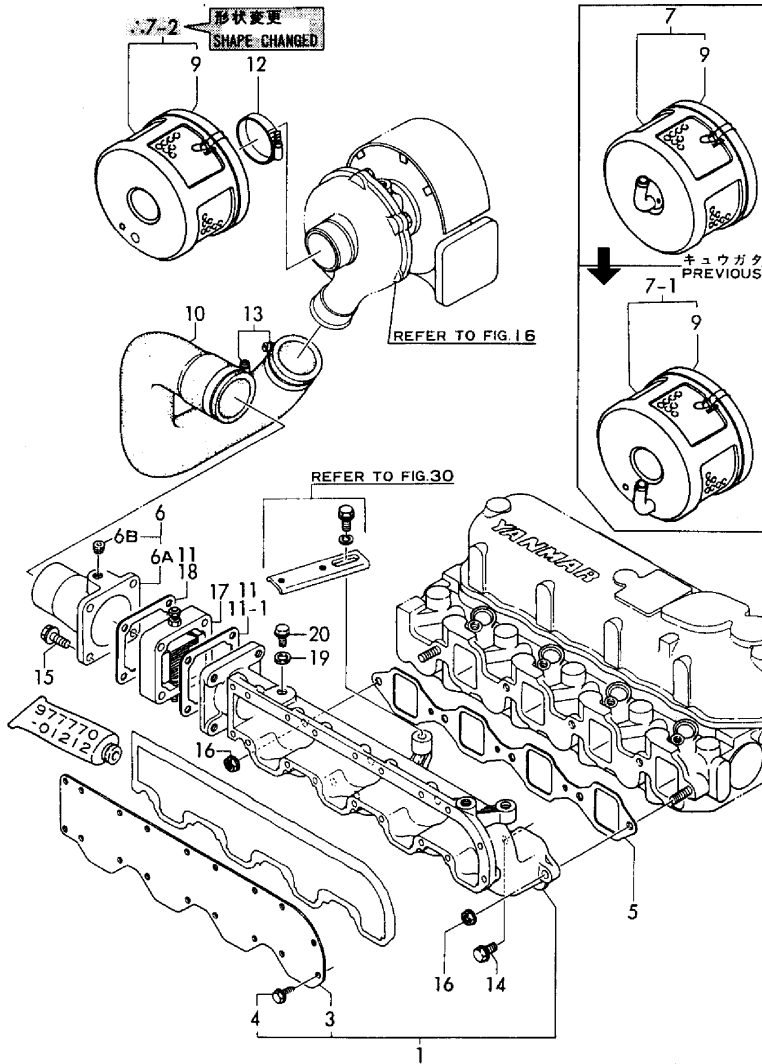
Remarks
(1) OPTIONAL PART.

Fig.11. SUCTION MANIFOLD

発行No. 000Y00F2441-1
更新年月: 1994. 7
REVISED: July, 1994

SPEC. CODE
029470-12101
029599-12140
029497-12180
029472-18250
029470-77510

Fig. 11 キュウキマニホールド(4JH-T)
SUCTION MANIFOLD



印が今回変更(追加)した箇所です
MARKED PART HAS BEEN CHANGED(ADDED)

(A)=4JH
(B)=4JH-T
(C)=4JH-HT

(D)=
(E)=
(F)=

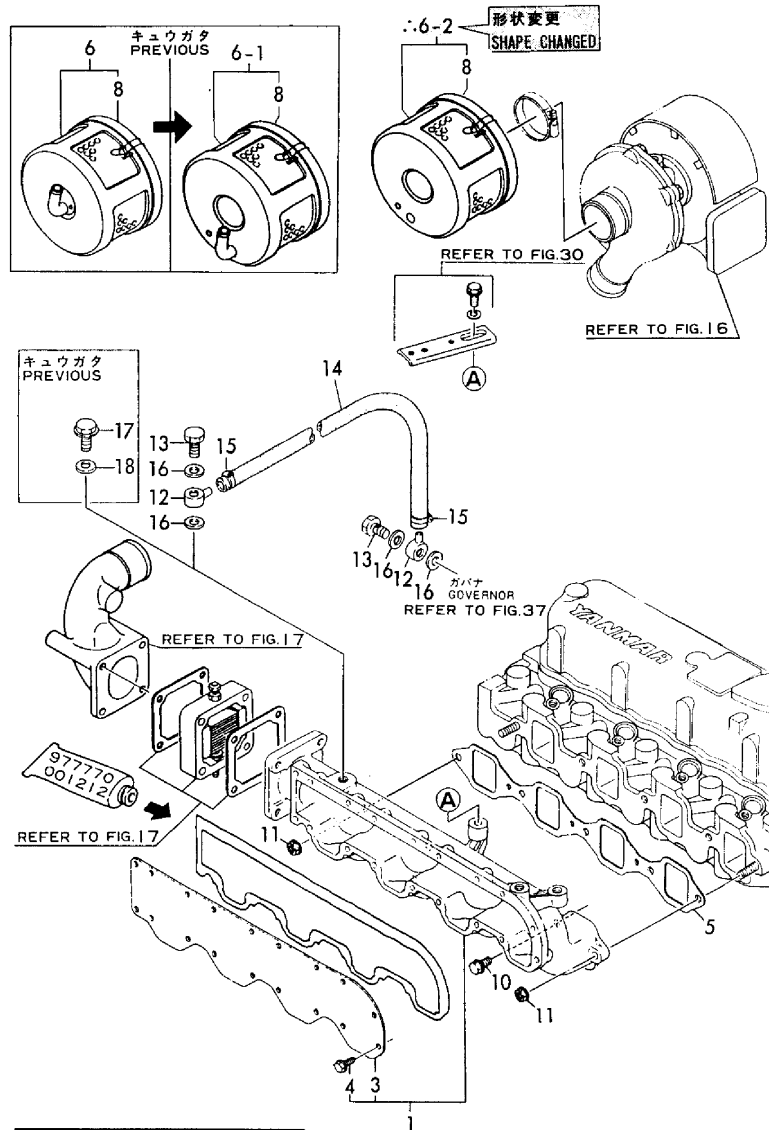
No.	Lev.	Parts No.	Description	Q'ty						I	R
				(A)	(B)	(C)	(D)	(E)	(F)		
1	1	129470-12100	MANIFOLD ASSY,INTAKE		1						
3	2	129470-12120	COVER, MANIFOLD		1						
4	2	26476-060142	SCREW, TAPPING M6X14		18						
5	1	129550-12110	GASKET, MANIFOLD		1						
5-1	1	129470-12130 (B=*1988.08)	GASKET, MANIFOLD		1						R
6	1	129470-12210 (B=*1986.10)	JOINT ASSY		1						W
6A	2	129470-12200	JOINT		1						
6B	2	23871-010000 (B=*1986.10)	PLUG, R01		1						W
7	1	129470-12300	SILENCER ASSY		1						
7-1	1	129470-12301 (B=*1990.12)	SILENCER ASSY		1						S
7-2	1	129599-12300 (B=E01438)	SILENCER ASSY		1						N
9	2	129470-12320	PLATE		1						
10	1	129472-12850	HOSE, RUBBER		1						
11	1	129150-77510	GASKET		2						
11-1	1	129150-77510 (B=*1987.01)	GASKET		1						K
11-2	1	129470-77590 (B=*1988.08)	GASKET		1						R
12	1	23000-054000	CLAMP, 54		1						
13	1	23000-060000	CLAMP, 60		2						
14	1	26106-080202	BOLT, M8X 20 PLATED		3						
15	1	26106-080402	BOLT, M8X 40 PLATED		4						
16	1	26366-080002	NUT, M8		2						
17	1	129400-77500	HEATER		1						
17-1	1	129100-77500 (B=*1985.08)	HEATER, AIR 12V		1						S
18	1	129100-77510 (B=*1987.01)	GASKET		1						W
19	1	23414-100000 (B=*1987.02)	GASKET, 10X1.0		1						W
20	1	26106-100122 (B=*1987.02)	BOLT, M10X 12 PLATED		1						W

Fig.12. SUCTION MANIFOLD

発行No. 00Y00F2441-1
更新年月: 1994. 7
REVISED: July, 1994

SPEC. CODE
029571-12101
029599-12140
029571-10280

Fig. 12 キュウキマニホルド(4JH-HT)
SUCTION MANIFOLD



印が今回変更(追加)した箇所です。
MARKED PART HAS BEEN CHANGED (ADDED).

(A)=4JH
(B)=4JH-T
(C)=4JH-HT

(D)=
(E)=
(F)=

No.	Lev.	Parts No.	Description	Qty						I	R
				(A)	(B)	(C)	(D)	(E)	(F)		
1	1	129470-12100	MANIFOLD ASSY,INTAKE			1					
3	2	129470-12120	COVER, MANIFOLD			1					
4	2	26476-060142	SCREW, TAPPING M6X14			18					
5	1	129550-12110	GASKET, MANIFOLD			1					
5-1	1	129470-12130	GASKET, MANIFOLD (C=*1988.08)			1					R
6	1	129470-12300	SILENCER ASSY			1					
6-1	1	129470-12301	SILENCER ASSY (C=*1990.12)			1					S
6-2	1	129599-12300	SILENCER ASSY (C=E01586)			1					N
8	2	129470-12320	PLATE			1					
9	1	23000-054000	CLAMP, 54			1					
10	1	26106-080202	BOLT, M8X 20 PLATED			3					
11	1	26366-080002	NUT, M8			2					
12	1	129590-18520	JOINT (C=*1987.07)			2					W
13	1	124160-39140	BOLT, PIPE JOINT M10 (C=*1987.07)			2					W
14	1	124070-59110	PIPE, FUEL L=155 (C=*1987.07)			1					W
15	1	23000-013000	CLAMP, 13 (C=*1987.07)			2					W
16	1	23414-100000	GASKET, 10X1.0 (C=*1987.07)			4					W
17	1	26106-100122	BOLT, M10X 12 PLATED (C=*1987.07)			1					Z
18	1	23414-100000	GASKET, 10X1.0 (C=*1987.07)			1					Z

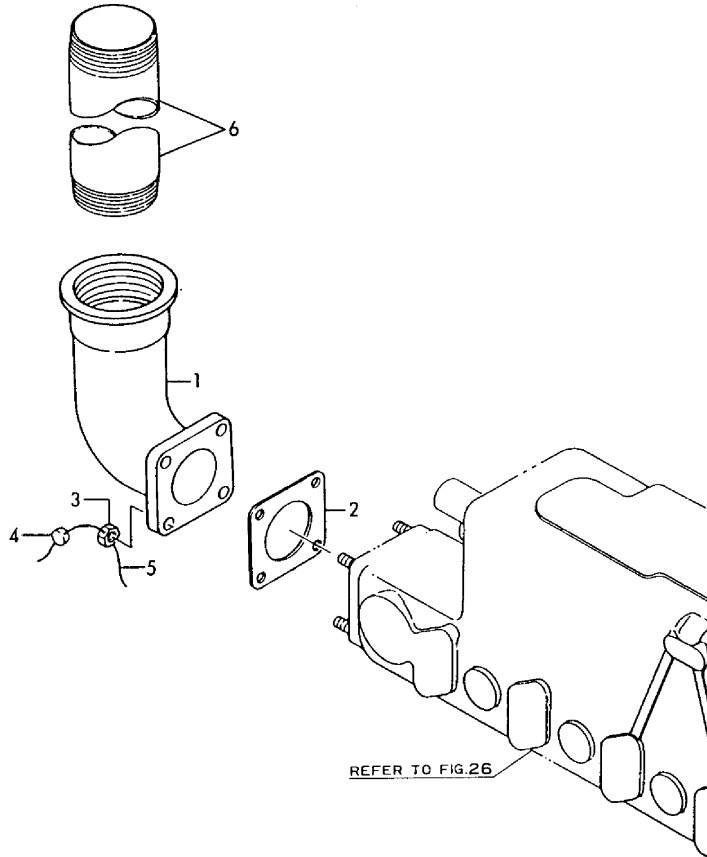
Fig.13. EXHAUST BEND

(A)=4JH
(B)=4JH-T
(C)=4JH-HT

(D)=
(E)=
(F)=

Fig. 13 ハイキベンド(4JH)
EXHAUST

SPEC. CODE
D29490-13200
D20130-13500



No.	Lev.	Parts No.	Description	Q'ty						I	R
				(A)	(B)	(C)	(D)	(E)	(F)		
1	1	129490-13070	BEND, EXHAUST	1							
2	1	129792-18090	GASKET	1							
2-1	1	129472-18090	GASKET	1							R
(A=*1988.08)											
3	1	26703-080002	NUT, M8	4							
3-1	1	129490-13300	NUT, M8	4							N
(A=*1986.04)											
4	1	135210-61090	LEAD	1							
5	1	22451-060000	WIRE, 0.6	1							W
(A=*1986.04)											
6	1	124210-13011	PIPE, EXHAUST	1							

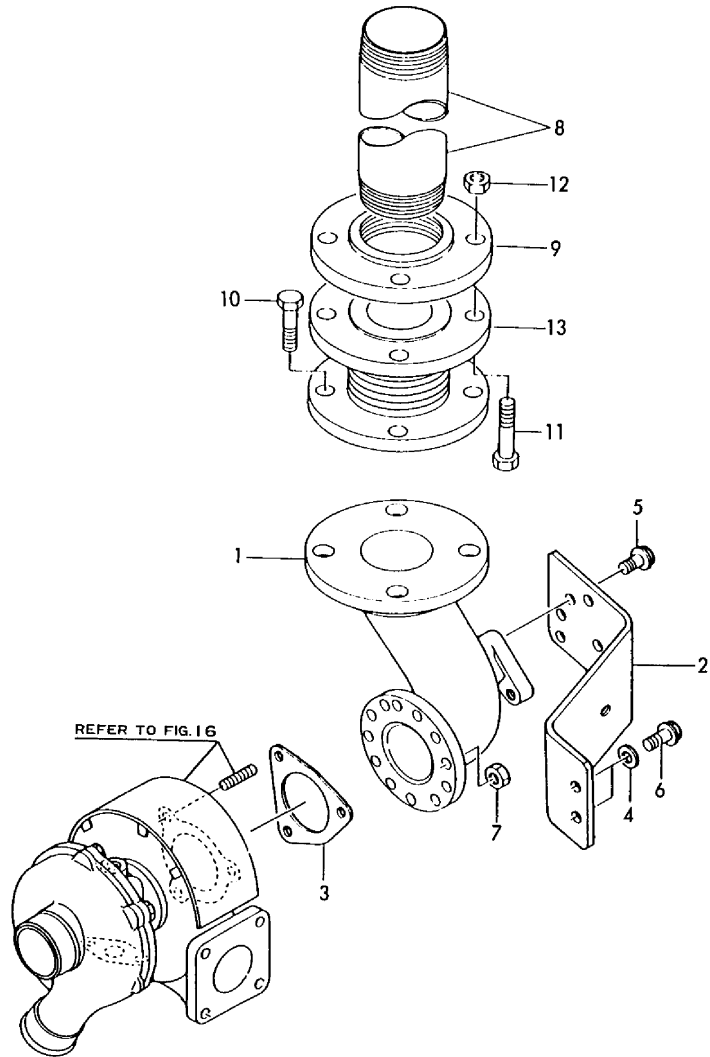
Fig.14. EXHAUST BEND

(A)=4JH
(B)=4JH-T
(C)=4JH-HT

(D)=
(E)=
(F)=

Fig. 14 ハイキベンド(4JH-T,HT)
EXHAUST BEND

SPEC. CODE
D29492-13200
D29492-13500



No.	Lev.	Parts No.	Description	Qty						I	R	
				(A)	(B)	(C)	(D)	(E)	(F)			
1	1	129492-13070	BEND, EXHAUST		1	1						
2	1	129492-13080	RETAINER		1	1						
3	1	129792-13520	GASKET		1	1						
3-1	1	129472-13520 (B=*1988.09)	GASKET (C=*1988.09)		1	1						R
4	1	22217-080000	WASHER, SPRING 8		2	2						
5	1	26106-080162	BOLT, M8X 16 PLATED		2	2						
6	1	26106-080202	BOLT, M8X 20 PLATED		2	2						
7	1	26703-080002	NUT, M8		3	3						
8	1	124210-13011	PIPE, EXHAUST		1	1						
9	1	23217-050000	FLANGE, 5K 50		1	1						
10	1	26113-120502	BOLT M12X 50		4	4						
11	1	26113-120602	BOLT M12X 60		4	4						
12	1	26703-120002	NUT, M12		8	8						
13	1	43100-500550	JOINT, EXPANSION		1	1						

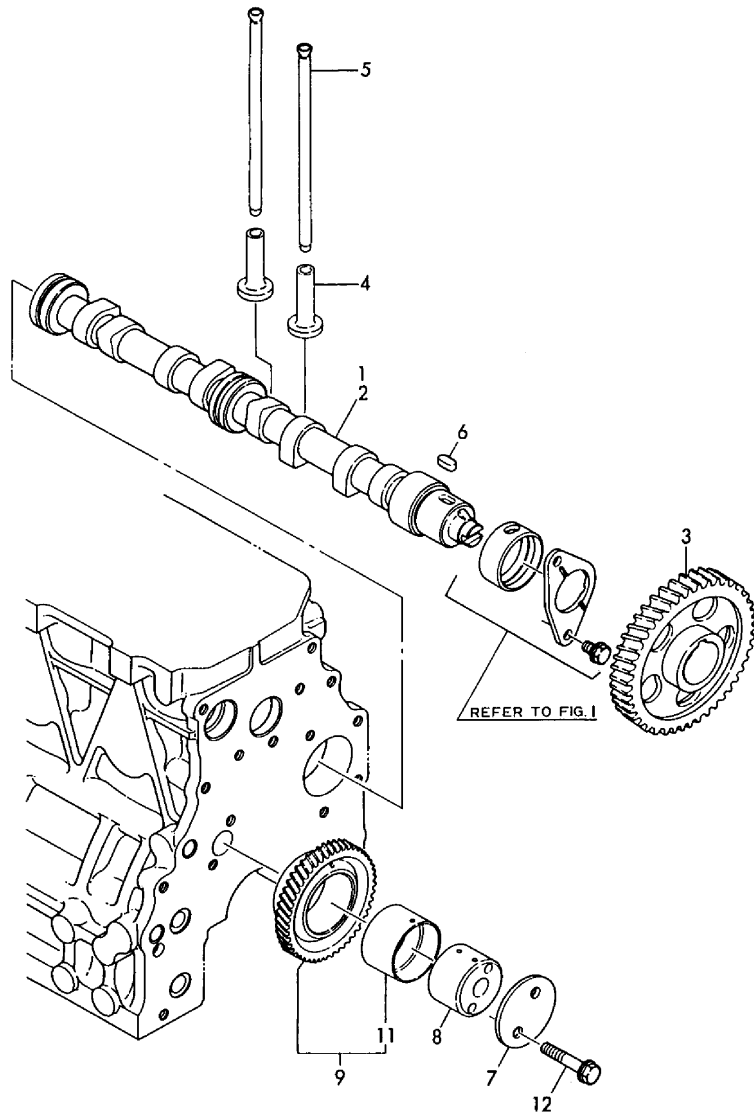
Fig.15. CAMSHAFT

(A)=4JH
(B)=4JH-T
(C)=4JH-HT

(D)=
(E)=
(F)=

Fig. 15 カムシャフト&クドウギヤ
CAMSHAFT & DRIVING GEAR

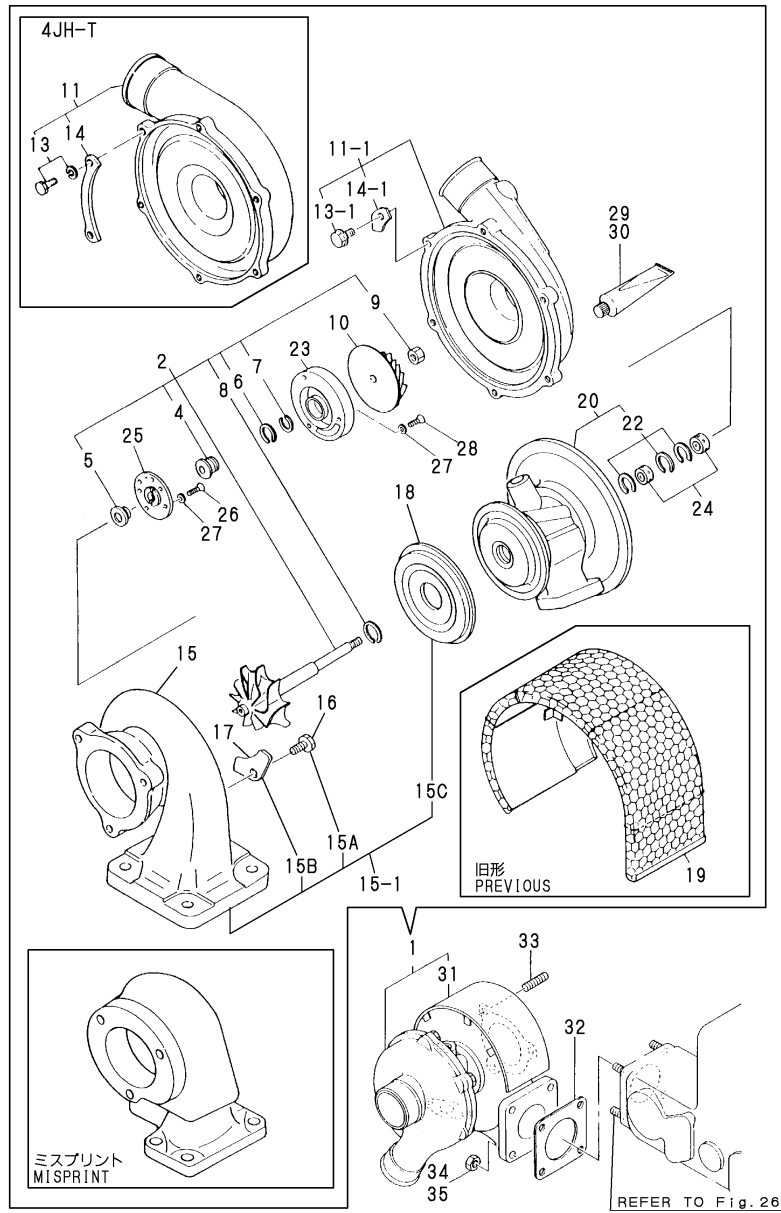
SPEC. CODE
D29470-14100
D29472-14100
D29573-25100



No.	Lev.	Parts No.	Description	Qty						I	R
				(A)	(B)	(C)	(D)	(E)	(F)		
1	1	129470-14010	CAMSHAFT	1							
1-1	1	129470-14011	CAMSHAFT	1							S
				(A=*1984.09)							
2	1	129472-14010	CAMSHAFT		1	1					
2-1	1	129472-14011	CAMSHAFT		1	1					S
				(B=*1984.09) (C=*1984.09)							
3	1	129150-14100	GEAR, CAMSHAFT		1	1	1				
3-1	1	129150-14101	GEAR, CAMSHAFT		1	1	1				S
				(A=*1984.09) (B=*1984.09) (C=*1984.09)							
4	1	129150-14200	TAPPET		8	8	8				
5	1	129150-14400	ROD, PUSH L=178		8	8	8				
5-1	1	119171-14400	ROD, PUSH L=178		8	8	8				R
				(A=*1991.03) (B=*1991.03) (C=*1991.03)							
6	1	22512-070140	KEY, 7X 14		1	1	1				
7	1	129150-25020	RETAINER		1	1	1				
8	1	129150-25055	SHAFT, IDLE		1	1	1				
8-1	1	129150-25052	SHAFT, IDLE		1	1	1				S
				(A=*1986.12) (B=*1986.12) (C=*1986.12)							
9	1	129150-25100	GEAR ASSY, IDLE		1	1	1				
9-1	1	129150-25101	GEAR ASSY, IDLE		1	1	1				S
				(A=*1985.06) (B=*1985.06) (C=*1985.06)							
11	2	129150-25065	BUSH, IDLE GEAR		1	1	1				
11-1	2	129150-25061	BUSH, IDLE GEAR		1	1	1				S
				(A=*1985.06) (B=*1985.06) (C=*1985.06)							
12	1	26106-080452	BOLT, M8X 45 PLATED		2	2	2				

Fig.16. TURBOCHARGER

P/C NEWS No. : Y00F2441-11
PUBLISHED : 2004/6



(A)=4JH
(B)=4JH-T
(C)=4JH-HT

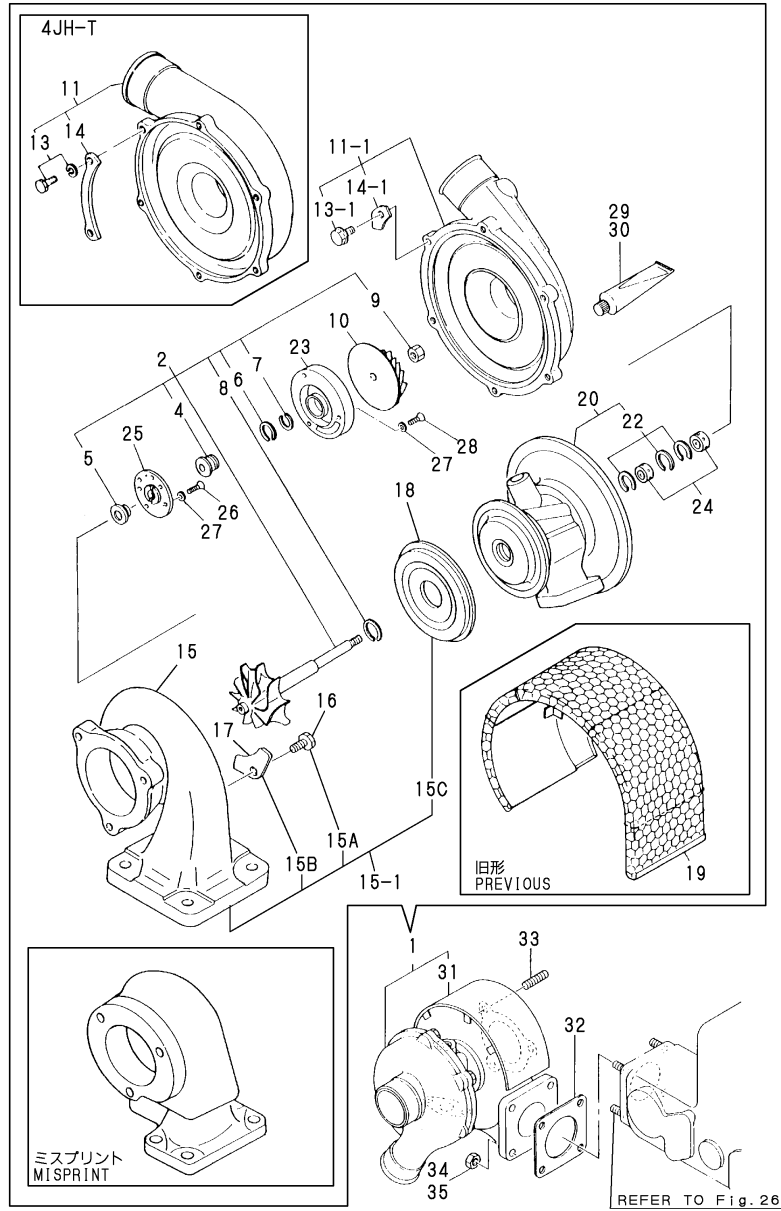
(D)=
(E)=
(F)=

No.	Lev.	Parts No.	Description	Qty						I	R
				(A)	(B)	(C)	(D)	(E)	(F)		
1	1	129497-18000	TURBINE, RHB52		1	1					
1-1	1	129494-18000	TURBINE, RHB52 (C=*1986.11)			1					N
2	2	XNN139810	ROTOR PARTS SET		1	1					
2-1	2	XNN131570	ROTOR SET (C=*1986.11)			1					S
4	3	XN131004	SHELTER		1	1					
5	3	XN131005	BUSH, THRUST		1	1					
6	3	XN131008	RING, SEAL		1	1					
7	3	XB131008	RING, SEAL		1	1					
8	3	XN131106	RING, SEAL		1	1					
9	3	XN131108	NUT		1	1					
10	2	XN136504	WHEEL BR348C		1	1					
10-1	2	XNN136604	FAN,BLOWER			1					M
10-2	2	XNN136606	WHEEL BR348C (C=*1986.11)			1					S
11	2	XN134070	SET, BLOWER HOUSING		1	1					
11-1	2	XNE924350	HOUSING,BLOWER (C=*1986.11)			1					S
13	3	XN133723	BOLT M5		6	6					
13-1	3	XNB134007	BOLT M 5 (C=*1986.11)			6					S
14	3	XN134205	PLATE		3	3					
14-1	3	XNN134035	RETAINER (C=*1986.11)			6					S
15	2	XNN138872	HOUSING,TURBO.		1	1					
15-1	2	XNN138980	HOUSING ASSY,TURBO (C=*1986.11)			1					S
15A	3	XNN137007	BOLT, M8			4					
15B	3	XNN137006	RETAINER			1					
15C	3	XNN137055	PROTECTOR, HEAT			1					
16	2	XNN137007	BOLT, M8		4	4					
17	2	XNN137006	RETAINER		1	1					
18	2	XNN137055	PROTECTOR, HEAT		1	1					
19	2	XNN139724	INSULATOR (B=*1986.11) (C=*1986.11)		1	1					Z
20	2	XNN139812	HOUSING SET		1	1					
20-1	2	XNE923300	HOUSING,BEARING (C=*1986.11)			1					S
22	3	XN133204	CIRCLIP		3	3					
23	2	XN133001	PLATE, SEAL		1	1					
24	2	XN133504	METAL, FLOATING		2	2					
25	2	XN133505	BEARING, THRUST		1	1					
26	2	XN977006	SCREW 3		4	4					
26-1	2	XNB133206	SCREW (C=*1986.11)			4					S
27	2	XN977007	WASHER M 3		7	7					
28	2	XN133207	SCREW M3		3	3					
28-1	2	XNB133208	SCREW(SEAL PLATE) (C=*1986.11)			3					S
29	2	XN193653	GASKET, LIQUID		1	1					

Remarks
(M)MISPRINT:REFER TO THE NEXT ITEM.

Fig.16. TURBOCHARGER

P/C NEWS No. : Y00F2441-11
 PUBLISHED : 2004/6



(A)=4JH
 (B)=4JH-T
 (C)=4JH-HT

(D)=
 (E)=
 (F)=

No.	Lev.	Parts No.	Description	Qty						I	R	
				(A)	(B)	(C)	(D)	(E)	(F)			
30	2	XNN193655	BONDO		1	1						
31	2	129499-18020	INSULATOR		1	1						
32	1	129792-18090	GASKET		1	1						
32-1	1	129472-18090 (B=*1988.08) (C=*1988.08)	GASKET		1	1					N	
33	1	128170-13600	STUD, M8X31		3	3						
34	1	26703-080002	NUT, M8		4	4						
35	1	26713-080002 (B=*1984.12) (C=*1984.12)	NUT, M8		4	4					W	

Remarks
 (M)MISPRINT:REFER TO THE NEXT ITEM.

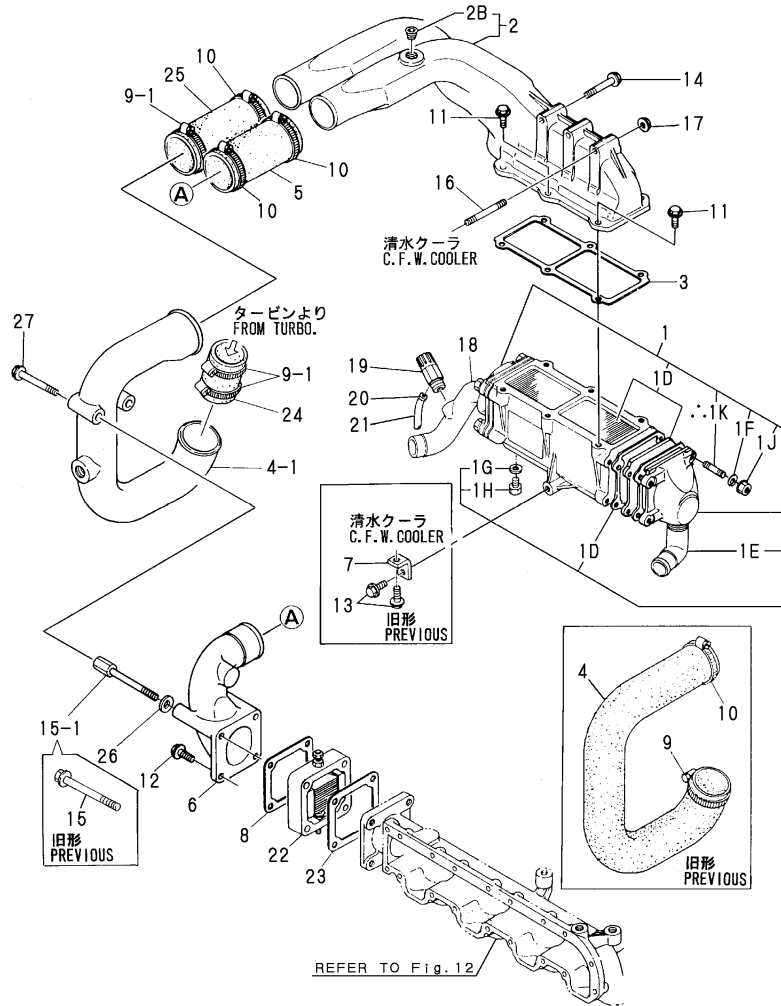
Fig.17. AIR COOLER

(A)=4JH
(B)=4JH-T
(C)=4JH-HT

(D)=
(E)=
(F)=

発行No. 000YDDP2441-4
更新年月: 1995.10
REVISED: Oct., 1995

Fig. 17 インタークーラ
AIR COOLER



印が今回変更(追加)した箇所です。
MARKED PART HAS BEEN CHANGED (ADDED).

Remarks
(1)NEW CODE NUMBERS FOR INTERNAL PARTS.

No.	Lev.	Parts No.	Description	Qty						I	R
				(A)	(B)	(C)	(D)	(E)	(F)		
1	1	129474-18100	COOLER ASSY, INTER			1					
1D	2	129474-18241	GASKET			4					
1E	2	123325-49490	ELBOW			1					
1F	2	22217-080000	WASHER, SPRING 8			8					
1G	2	23414-130000	GASKET, 13X1.0			1					
1H	2	23894-020002	PLUG, G1/4			1					
1J	2	26366-080002	NUT, M8			8					
1K	2	X3916003482	STUD M6			8					1
2	1	129474-18110	DUCT, AIR			1					
2-1	1	129474-18180	DUCT, AIR (C=*1986.10)			1					S
2B	2	23871-010000	PLUG, R01 (C=*1986.10)			1					W
3	1	129474-18120	GASKET			1					
3-1	1	129573-18120	GASKET (C=*1988.08)			1					R
4	1	129474-18130	HOSE, AIR DUCT			1					
4-1	1	129595-18130	DUCT, AIR (C=*1988.04)			1					S
4-2	1	129595-18131	DUCT, AIR (C=*1988.10)			1					S
5	1	129474-18140	HOSE, RUBBER			1					
6	1	129474-18170	BEND			1					
7	1	129474-18160	RETAINER (C=*1985.08)			1					Z
8	1	129100-77510	GASKET			1					
9	1	23000-060000	CLAMP, 60			1					
9-1	1	23000-060000	CLAMP, 60 (C=*1988.04)			3					K
10	1	23000-070000	CLAMP, 70			3					
11	1	26106-080202	BOLT, M8X 20 PLATED			6					
12	1	26106-080402	BOLT, M8X 40 PLATED			2					
13	1	26106-080202	BOLT, M8X 20 PLATED (C=*1985.05)			2					Z
14	1	26106-080502	BOLT, M8X 50 PLATED			1					
15	1	26106-080952	BOLT, M8X 95 PLATED			2					
15-1	1	129595-18160	BOLT (C=*1988.05)			2					N
16	1	26226-080502	STUD, M8X 50			2					
17	1	26366-080002	NUT, M8			2					
18	1	129474-49020	BEND			1					
19	1	120130-49350	COCK, 1/4			1					
20	1	124460-77680	RETAINER			1					
21	1	23061-070300	PIPE, 7X 300			1					
22	1	129400-77500	HEATER			1					
22-1	1	129100-77500	HEATER, AIR 12V (C=*1985.08)			1					S
23	1	129150-77510	GASKET			1					
23-1	1	129470-77590	GASKET (C=*1988.08)			1					R
24	1	129595-18140	JOINT, RUBBER			1					W

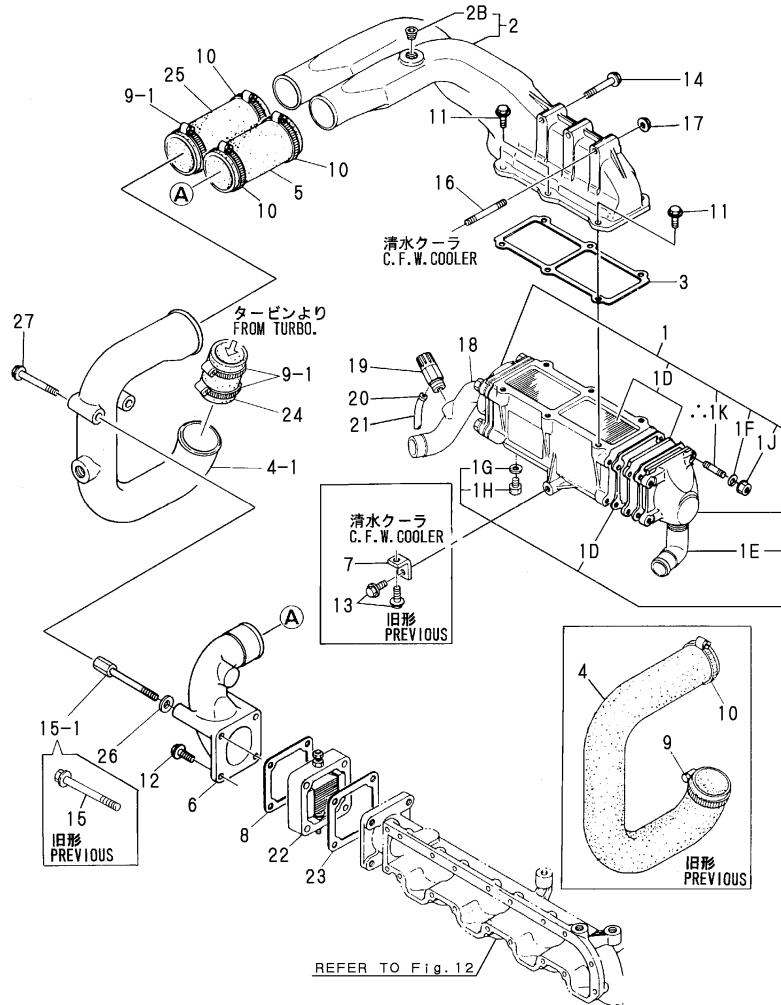
Fig.17. AIR COOLER

(A)=4JH
(B)=4JH-T
(C)=4JH-HT

(D)=
(E)=
(F)=

発行No. 000Y00F2441-4
更新年月: 1995.10
REVISED: Oct., 1995

Fig. 17 インタークーラ
AIR COOLER



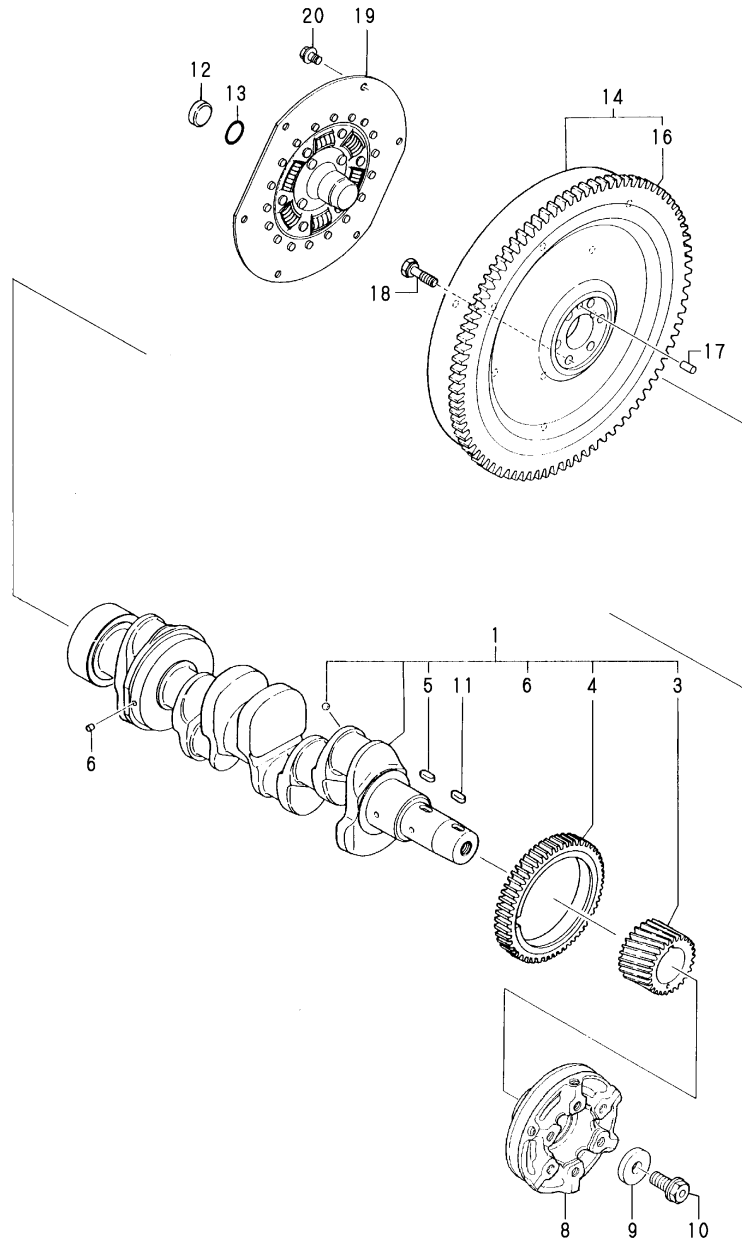
No.	Lev.	Parts No.	Description	Qty						I	R	
				(A)	(B)	(C)	(D)	(E)	(F)			
			(C=*1988.04)									
24-1	1	129595-18141	JOINT, RUBBER (C=*1988.10)			1						S
25	1	129595-18150	JOINT, RUBBER L=125 (C=*1988.04)			1						W
25-1	1	129595-18151	JOINT, RUBBER (C=*1988.10)			1						S
26	1	22137-080000	WASHER, 8 (C=*1988.04)			2						W
27	1	26106-080802	BOLT, M8X 80 PLATED (C=*1988.04)			2						W

印が今回変更(追加)した箇所です。
MARKED PART HAS BEEN CHANGED (ADDED).

Remarks
(1)NEW CODE NUMBERS FOR INTERNAL PARTS.

Fig.18. CRANKSHAFT

P/C NEWS No. :Y00F2441-13
PUBLISHED :2007/12



(A)=4JH
(B)=4JH-T
(C)=4JH-HT

(D)=
(E)=
(F)=

No.	Lev.	Parts No.	Description	Qty						I	R
				(A)	(B)	(C)	(D)	(E)	(F)		
1	1	129490-21000	CRANKSHAFT ASSY	1	1	1					
3	2	129150-21200	GEAR, CRANKSHAFT	1	1	1					
4	2	129400-28120	GEAR, BALANCER	1	1	1					
5	2	22512-070140	KEY, 7X 14	1	1	1					
6	2	121850-21290	PIN	1	1	1					
8	1	129490-21650	V-PULLEY, D82.5	1	1	1					
9	1	129795-21660	WASHER	1	1	1					
9-1	1	129795-21661	WASHER	1	1	1					N
		(A=*1985.03) (B=*1985.03) (C=*1985.03)									
10	1	121850-21680	BOLT	1	1	1					
11	1	22512-070160	KEY, 7X 16	1	1	1					
12	1	177040-03130	SLEEVE	1	1	1					
13	1	24321-000300	O-RING, 1AG30.0	1	1	1					
14	1	129490-21590	FLYWHEEL ASSY	1	1	1					
14-1A	1	129490-21591	FLYWHEEL ASSY	1							N
		(A=*1985.02)									
14-1B	1	129590-21590	FLYWHEEL ASSY		1	1					S
		(B=*1988.01) (C=*1988.01)									
16	2	124550-21600	GEAR, RING	1	1	1					
17	1	22312-080160	PIN, PARALLEL M8X16	1	1	1					
18	1	129150-21500	BOLT	6	6	6					
18-1	1	121111-21501	BOLT, FLYWHEEL	6	6	6					S
		(A=*1985.02) (B=*1988.01) (C=*1988.01)									
19	1	177040-03120	DISK, DAMPER	1	1	1					
19-1	1	177040-03121	DISK, DAMPER	1	1	1					N
		(A=*1990.12) (B=*1990.12) (C=*1990.12)									
20	1	26106-080162	BOLT, M8X 16 PLATED	6	6	6					

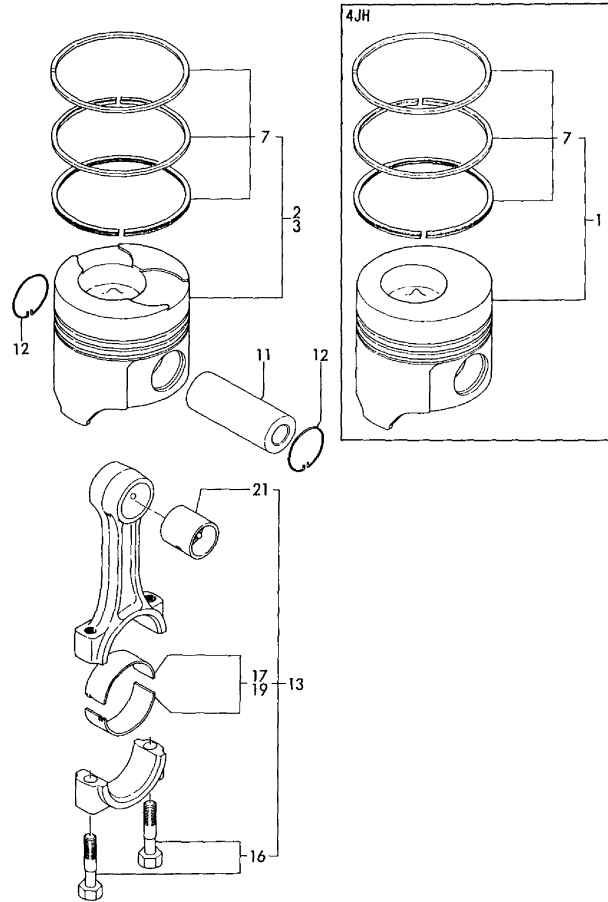
Fig.19. PISTON & CONNECTING ROD

(A)=4JH
(B)=4JH-T
(C)=4JH-HT

(D)=
(E)=
(F)=

Fig. 19 ピストン&コネクティングロッド
PISTON & CONNECTING ROD

SPEC. CODE
D29495-22101
D29497-22101
D29499-22110
D29150-23100



No.	Lev.	Parts No.	Description	Qty						I	R
				(A)	(B)	(C)	(D)	(E)	(F)		
1	1	129495-22000	PISTON ASSY	4							1
1-1	1	129495-22001	PISTON ASSY	4							S 2
(A=*1985.06)											
1-2	1	129495-22002	PISTON ASSY	4							N 2
(A=*2002.04)											
2	1	129497-22000	PISTON ASSY		4						3
2-1	1	129497-22001	PISTON ASSY		4						S 4
(B=*1985.06)											
3	1	129499-22020	PISTON ASSY			4					5
3-1	1	129499-22040	PISTON ASSY			4					S 6
(C=*1985.03)											
7	2	729470-22500	RING SET, PISTON	4	4	4					M
7-1	2	729550-22501	RING SET, PISTON	4	4	4					
7-2	2	729470-22500	RING SET, PISTON	4	4	4					N
(A=*1998.05) (B=E/#01618) (C=E/#01798)											
7-3	2	129590-22510	RING SET, PISTON	4	4	4					N
(A=E/#02684) (B=E/#01620) (C=*1998.10)											
7-4	2	129495-22510	RING SET, PISTON	4							N
(A=*2002.04)											
11	1	129150-22300	PIN, PISTON D26 L66	4	4	4					
12	1	121100-22400	CIRCLIP	8	8	8					
13	1	729150-23701	ROD ASSY, CONNECTING	4	4	4					
13-1	1	729402-23100	ROD ASSY, CONNECTING	4	4	4					N
(A=*1990.06) (B=*1990.06) (C=*1990.06)											
16	2	121550-23200	BOLT, CONNECTING ROD	8	8	8					
17	2	729150-23600	BEARING, CRANK PIN	4	4	4					
17-1	2	129150-23600	BEARING, CRANK PIN	4	4	4					N
(A=E/XXX) (B=E/XXX) (C=E/XXX)											
19	1	129150-23610	BEARING, 0.25 US	4	4	4					7
21	1	129100-23910	BEARING, PISTON PIN	4	4	4					8

Remarks

- (1)ENBOSSSED MARK : 6
- (2)ENBOSSSED MARK : D
- (3)ENBOSSSED MARK : 7
- (4)ENBOSSSED MARK : E
- (5)ENBOSSSED MARK : 4
- (6)ENBOSSSED MARK : F
- (7)UNDER SIZED(U.S.=0.25)PART.
- (8)REPAIR PART.
- (M)MISPRINT:REFER TO THE NEXT ITEM.

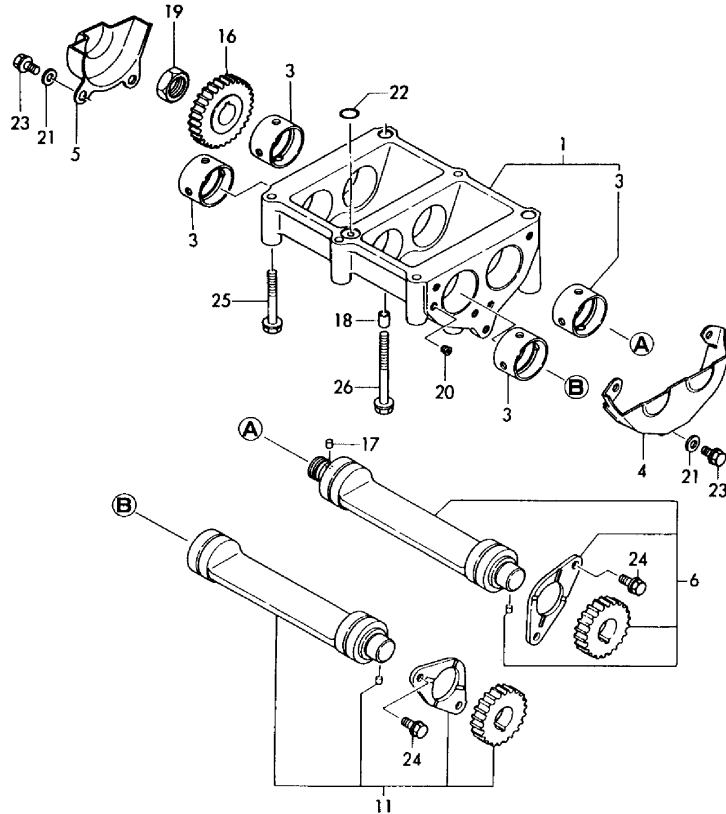
Fig.20. BARANCER

(A)=4JH
(B)=4JH-T
(C)=4JH-HT

(D)=
(E)=
(F)=

Fig. 20 バランサ
BALANCER

SPEC. CODE
D29490-28100



No.	Lev.	Parts No.	Description	Qty						I	R
				(A)	(B)	(C)	(D)	(E)	(F)		
1	1	129490-28010	CASE ASSY, BALANCER	1	1	1					
3	2	129400-28240	BUSH	4	4	4					
4	1	129490-28030	COVER	1	1	1					
5	1	129490-28040	COVER	1	1	1					
6	1	729490-28510	SHAFT ASSY, BALANCER	1	1	1					
11	1	729490-28520	SHAFT ASSY, BALANCER	1	1	1					
16	1	129400-28150	GEAR, BALANCER	1	1	1					
17	1	121850-21290	PIN	1	1	1					
18	1	129795-01960	PIPE, KNOCK	2	2	2					
19	1	127410-28390	NUT, NOZZLE	1	1	1					
19-1	1	128170-14150	NUT	1	1	1					R
		(A=*1985.11) (B=*1985.11) (C=*1985.11)									
20	1	123385-82200	PLUG, 1/16	1	1	1					
20-1	1	23871-005000	PLUG, R005	1	1	1					S
		(A=*1990.01) (B=*1990.01) (C=*1990.01)									
21	1	22217-080000	WASHER, SPRING 8	3	3	3					
22	1	24311-000140	O-RING, 1AP14.0	1	1	1					
23	1	26106-080122	BOLT, M8X 12 PLATED	3	3	3					
24	1	26106-080162	BOLT, M8X 16 PLATED	4	4	4					
25	1	26106-080602	BOLT, M8X 60 PLATED	4	4	4					
26	1	26106-080802	BOLT, M8X 80 PLATED	2	2	2					

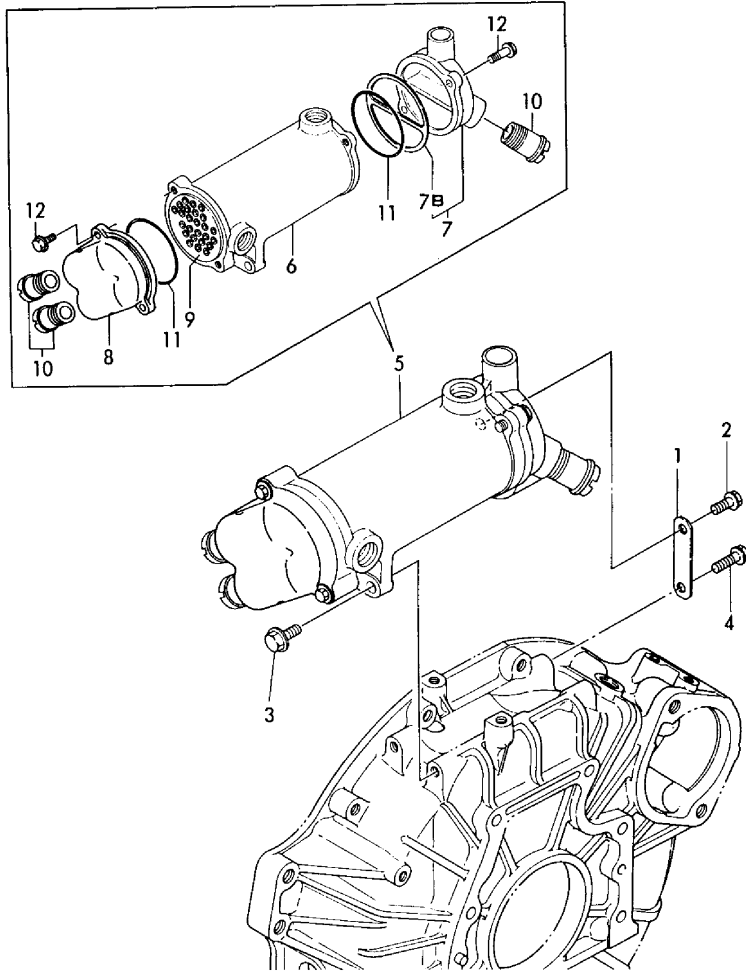
Fig.21. LUB.OIL COOLER

(A)=4JH
(B)=4JH-T
(C)=4JH-HT

(D)=
(E)=
(F)=

Fig.21 **LOクーラ**
LUB. OIL COOLER

SPEC. CODE
D29494-33100



No.	Lev.	Parts No.	Description	Qty						I	R
				(A)	(B)	(C)	(D)	(E)	(F)		
1	1	129474-33500	RETAINER	1	1	1					
2	1	26106-080142	BOLT, M8X 14 PLATED	1	1	1					
3	1	26106-080162	BOLT, M8X 16 PLATED	2	2	2					
4	1	26106-080252	BOLT, M8X 25 PLATED	1	1	1					
5	1	129490-33000	COOLER ASSY, OIL	1	1	1					
6	2	129474-33010	BODY, OIL COOLER	1	1	1					
7	2	129474-33050	COVER ASSY	1	1	1					W
		(A=*1986.11)	(B=*1986.11)	(C=*1986.11)							
7B	3	120322-33050	GASKET	1	1	1					W
		(A=*1986.11)	(B=*1986.11)	(C=*1986.11)							
8	2	129490-33030	COVER	1	1	1					
9	2	129474-33040	CORE ASSY, COOLER	1	1	1					
10	2	123325-49421	JOINT, PIPE	3	3	3					
11	2	24321-000750	O-RING, 1AG75.0	2	2	2					
12	2	26106-080252	BOLT, M8X 25 PLATED	4	4	4					

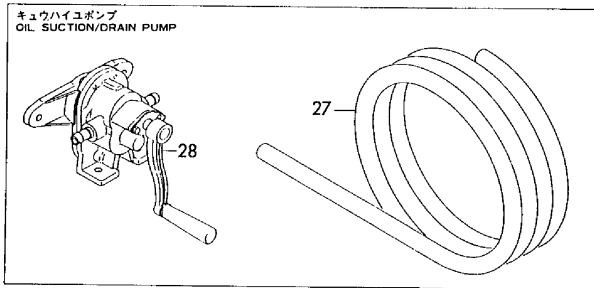
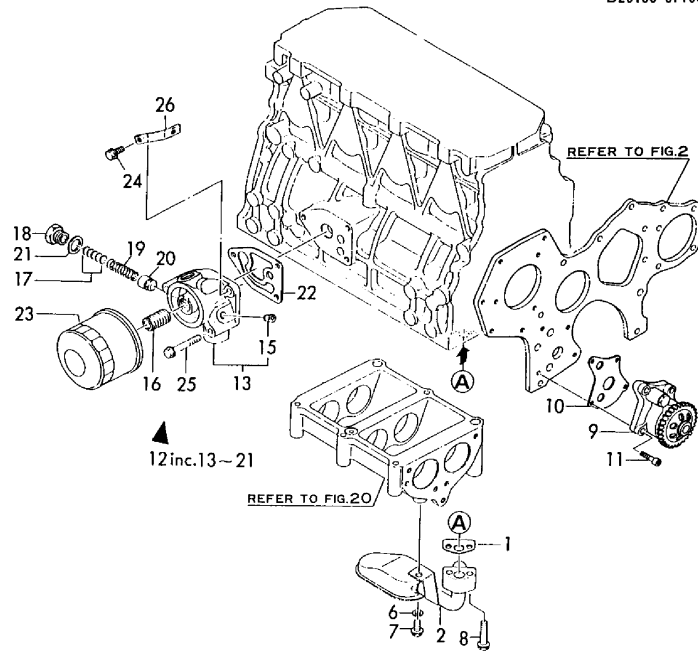
Fig.22. LUB. OIL SUCTION PIPE

(A)=4JH
(B)=4JH-T
(C)=4JH-HT

(D)=
(E)=
(F)=

Fig.22 LOシステム
LUB. OIL SYSTEM

SPEC. CODE
D29470-32100
D29490-35100
D29470-35200
D29595-35200
D20130-37100



No.	Lev.	Parts No.	Description	Q'ty						I	R
				(A)	(B)	(C)	(D)	(E)	(F)		
1	1	129150-35040	GASKET	1	1	1					
1-1	1	129470-35040	GASKET	1	1	1					R
(A=*1988.08) (B=*1988.08) (C=*1988.08)											
2	1	129490-35090	PIPE ASSY, OIL INLET	1	1	1					
6	1	22217-080000	WASHER, SPRING 8	1	1	1					
7	1	26106-080142	BOLT, M8X 14 PLATED	1	1	1					
8	1	26106-080352	BOLT, M8X 35 PLATED	2	2	2					
9	1	129553-32000	PUMP ASSY, OIL	1	1	1					
9-1	1	129470-32000	PUMP ASSY, OIL	1	1	1					N
(A=*1985.11) (B=*1985.11) (C=*1985.11)											
10	1	129150-32020	GASKET, PUMP	1	1	1					
11	1	26450-060252	BOLT, M6X 25	4	4	4					
12	1	129470-35100	BRACKET ASSY, FILTER	1	1	1					
12-1	1	129470-35101	BRACKET ASSY, FILTER	1	1	1					N
(A=*1990.12) (B=*1990.12) (C=*1990.12)											
13	2	129470-35130	BRACKET ASSY	1	1	1					
15	3	23871-020000	PLUG, R02	1	1	1					
16	2	129100-35140	STUD	1	1	1					
17	2	121850-35200	SHIM SET	1	1	1					
18	2	124223-35510	RETAINER, SPRING	1	1	1					
19	2	121850-35520	SPRING	1	1	1					
20	2	121850-35531	VALVE, CONTROL	1	1	1					
21	2	23414-180000	GASKET, 18X1.0	1	1	1					
22	1	129470-35120	GASKET	1	1	1					
22-1	1	129470-35121	GASKET	1	1	1					R
(A=*1988.08) (B=*1988.08) (C=*1988.08)											
23	1	129150-35150	FILTER 90X80L	1	1	1					
24	1	26106-080202	BOLT, M8X 20 PLATED	1	1	1					
25	1	26106-080552	BOLT, M8X 55 PLATED	2	2	2					
26	1	129590-59200	RETAINER, PIPE			1					W
(C=*1987.04)											
27	1	43720-001220	PIPE	1	1	1					
28	1	124413-39100	PUMP ASSY, WASTE	1	1	1					1

Remarks
(1) MAKER'S CODE:GC-13-AAE-O

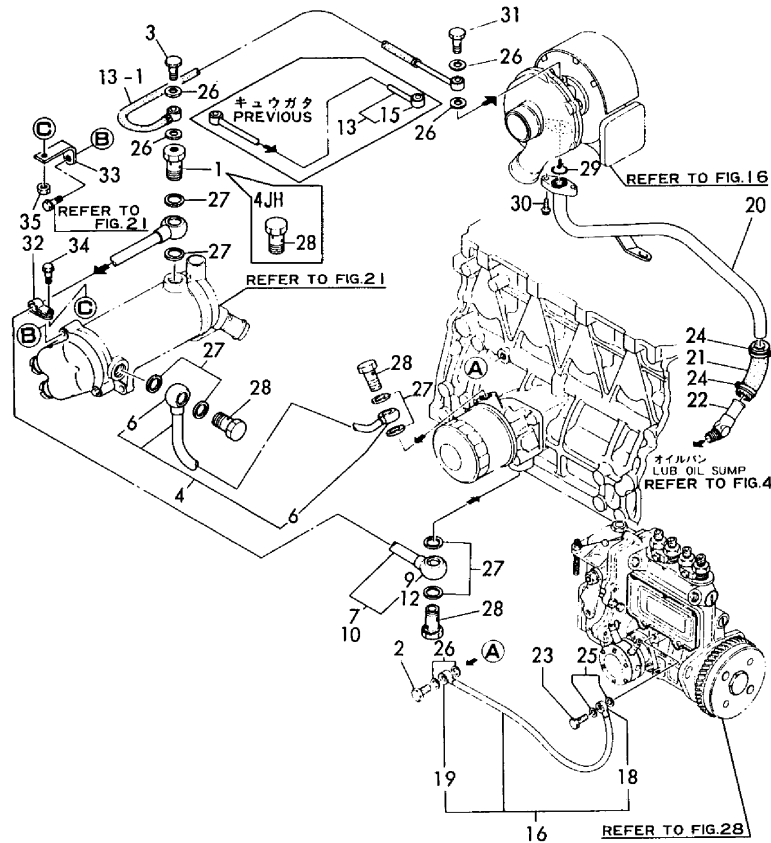
Fig.23. LUB. OIL PIPE

(A)=4JH
(B)=4JH-T
(C)=4JH-HT

(D)=
(E)=
(F)=

Fig. 23 LOパイプ
LUB. OIL LINE

SPEC. CODE
D29495-39100
D29497-39110



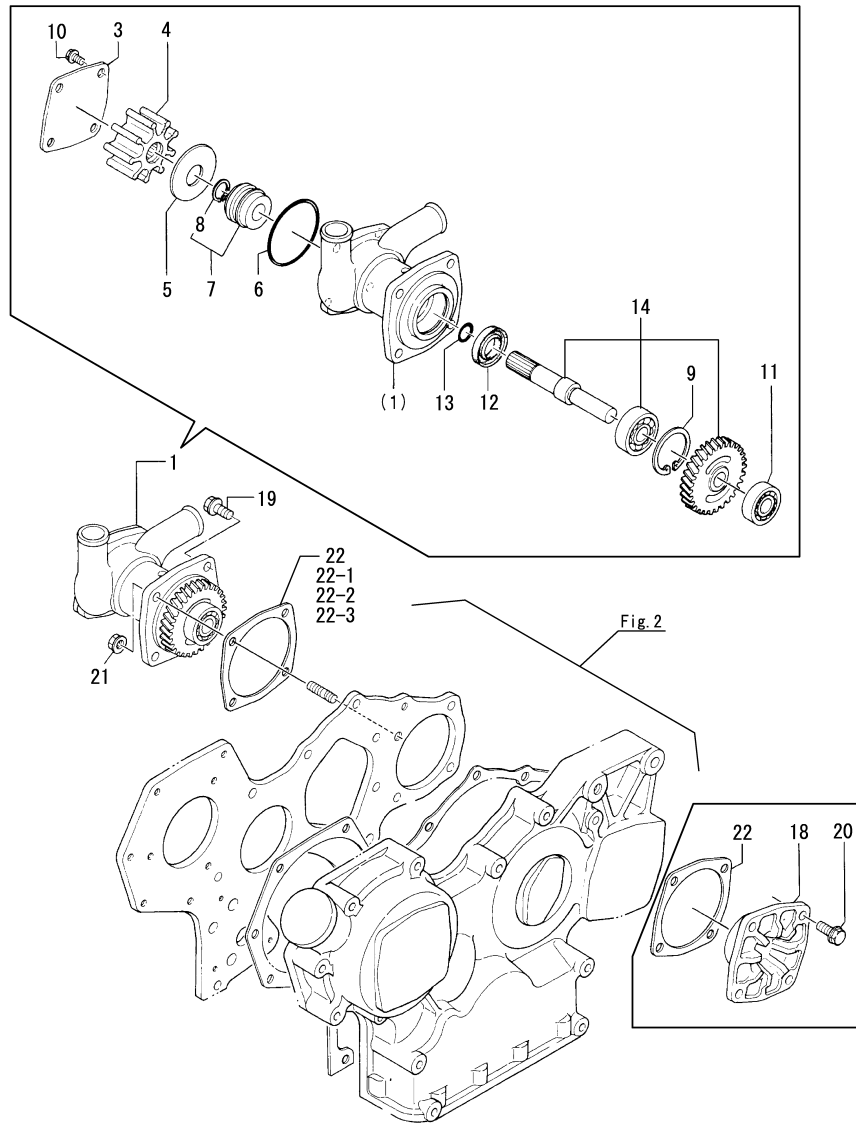
No.	Lev.	Parts No.	Description	Qty						I	R
				(A)	(B)	(C)	(D)	(E)	(F)		
1	1	129472-39020	BOLT, M20XM10		1	1					
2	1	124160-39140	BOLT, PIPE JOINT M10	1	1	1					
3	1	121252-39150	BOLT, JOINT M10X1.5		1	1					
4	1	129474-39200	PIPE ASSY, OIL	1	1	1					
4-1	1	129474-39201	PIPE ASSY, OIL	1	1	1				S	
		(A=*1990.12) (B=*1990.12) (C=*1990.12)									
6	2	23341-150000	JOINT, PIPE 15-20	2	2	2					
7	1	129474-39300	PIPE ASSY, OIL			1					
7-1	1	129495-39320	PIPE ASSY, OIL			1				N	
		(C=*1985.05)									
9	2	23341-150000	JOINT, PIPE 15-20			2				Z	
		(C=*1985.05)									
10	1	129495-39300	PIPE ASSY, OIL	1	1						
10-1	1	129495-39320	PIPE ASSY, OIL	1	1					N	
		(A=*1985.05) (B=*1985.05)									
12	2	23341-150000	JOINT, PIPE 15-20	2	2					Z	
		(A=*1985.05) (B=*1985.05)									
13	1	129474-39450	PIPE ASSY, OIL			1	1				
13-1	1	129590-39450	PIPE, OIL			1	1			N	
		(B=*1986.07) (C=*1986.07)									
15	2	129553-39190	JOINT			2	2			Z	
		(B=*1986.07) (C=*1986.07)									
16	1	129550-39450	PIPE ASSY, OIL			1	1				
16-1	1	129470-39451	PIPE ASSY, OIL	1	1	1				S	
		(A=*1987.01) (B=*1987.01) (C=*1987.01)									
18	2	129150-39150	JOINT	1	1	1					
18-1	2	120220-59150	JOINT	1	1	1				S	
		(A=*1987.01) (B=*1987.01) (C=*1987.01)									
19	2	129150-39180	JOINT	1	1	1					
19-1	2	135210-39140	JOINT, PIPE	1	1	1				S	
		(A=*1987.01) (B=*1987.01) (C=*1987.01)									
20	1	129472-39600	PIPE, OIL			1	1				
21	1	129792-39610	JOINT, RUBBER			1	1				
22	1	129472-39620	ELBOW, PT3/8			1	1				
23	1	124550-59820	BOLT, PIPE JOINT M8	1	1	1					
24	1	23000-025000	CLAMP, 25			2	2				
25	1	43400-500410	SEAL WASHER 8S	2	2	2					
26	1	23414-100000	GASKET, 10X1.0	6	6	6					
27	1	23414-200000	GASKET, 20X1.0	8	8	8					
28	1	23857-150000	BOLT, JOINT 15	4	3	3					
29	1	24314-000180	O-RING, 4CP18.0			1	1				
30	1	26106-060162	BOLT, M6X 16 PLATED			2	2				
31	1	124413-39710	BOLT, PIPE JOINT M10			1	1				
32	1	129490-39350	RETAINER			1					
32-1	1	129495-39630	RETAINER	1	1	1				N	
		(A=*1985.05) (B=*1985.05) (C=*1985.05)									
33	1	129495-39350	STAY	1	1	1				W	
		(A=*1985.05) (B=*1985.05) (C=*1985.05)									
34	1	26106-060202	BOLT, M6X 20 PLATED			1	1			W	
		(A=*1985.05) (B=*1985.05) (C=*1985.05)									
35	1	26756-060002	NUT, LOCK M6			1	1			W	

N:Old $\frac{Yes}{No}$ New, Q:Old $\frac{No}{Yes}$ New, R:Old $\frac{Yes}{Yes}$ New, S:Old $\frac{No}{No}$ New, W:Add, Z:Discontinued, F:Interchangeable by set, K:Q'ty Change
 ++ CONTINUE ++
 Copyright (C) YANMAR CO., LTD. All Rights Reserved.

Fig.24. COOLING SEA WATER PUMP

(A)=4JH
(B)=4JH-T
(C)=4JH-HT

(D)=
(E)=
(F)=



No.	Lev.	Parts No.	Description	Q'ty						I	R
				(A)	(B)	(C)	(D)	(E)	(F)		
1	1	129470-42500	PUMP ASSY, WATER	1	1	1					
1-1	1	129573-42500	PUMP ASSY, WATER	1	1	1					R
		(A=*1989.09) (B=*1989.09) (C=*1989.09)									
1-2	1	129573-42501	PUMP ASSY, WATER	1	1	1					N
		(A=*2000.09) (B=*2000.09) (C=*2000.09)									
3	2	129470-42520	COVER	1	1	1					
4	2	129470-42530	IMPELLER	1	1	1					
4-1	2	129470-42531	IMPELLER	1	1	1					N
		(A=*2000.09) (B=*2000.09) (C=*2000.09)									
5	2	129470-42540	PLATE	1	1	1					
5-1	2	129573-42540	PLATE	1	1	1					S
		(A=*1989.09) (B=*1989.09) (C=*1989.09)									
6	2	24341-000600	O-RING, 1AS60.0	1	1	1					
7	2	129795-42670	SEAL	1	1	1					
8	3	145410-46190	CIRCLIP	1	1	1					
9	2	22252-000420	RING, 42	1	1	1					
10	2	26203-060102	BOLT, M6X 10 PLATED	4	4	4					
11	2	24101-062024	BEARING, BALL 6202	1	1	1					
12	2	24421-203508	SEAL, OIL TC203508	1	1	1					
13	2	24311-000150	O-RING, 1AP15.0	1	1	1					
14	2	129491-42560	SHAFT ASSY	1	1	1					W
		(A=*1997.09) (B=E/#01593) (C=E/#01772)									
18	1	129470-42800	RETAINER	1	1	1					Z
		(A=*1988.02) (B=*1988.02) (C=*1988.02)									
19	1	26106-080162	BOLT, M8X 16 PLATED	3	3	3					
20	1	26106-080202	BOLT, M8X 20 PLATED	4	4	4					Z
		(A=*1988.02) (B=*1988.02) (C=*1988.02)									
21	1	26366-080002	NUT, M8	1	1	1					
22	1	129150-01880	GASKET	2	2	2					
22-1	1	129150-01880	GASKET	1	1	1					K
		(A=*1988.02) (B=*1988.02) (C=*1988.02)									
22-2	1	129470-01880	GASKET, GEAR CASE	1	1	1					R
		(A=*1988.10) (B=*1988.10) (C=*1988.10)									
22-3	1	129150-01881	GASKET	1	1	1					R
		(A=*1991.03) (B=*1991.03) (C=*1991.03)									

Fig.25. COOLING FRESH WATER PUMP

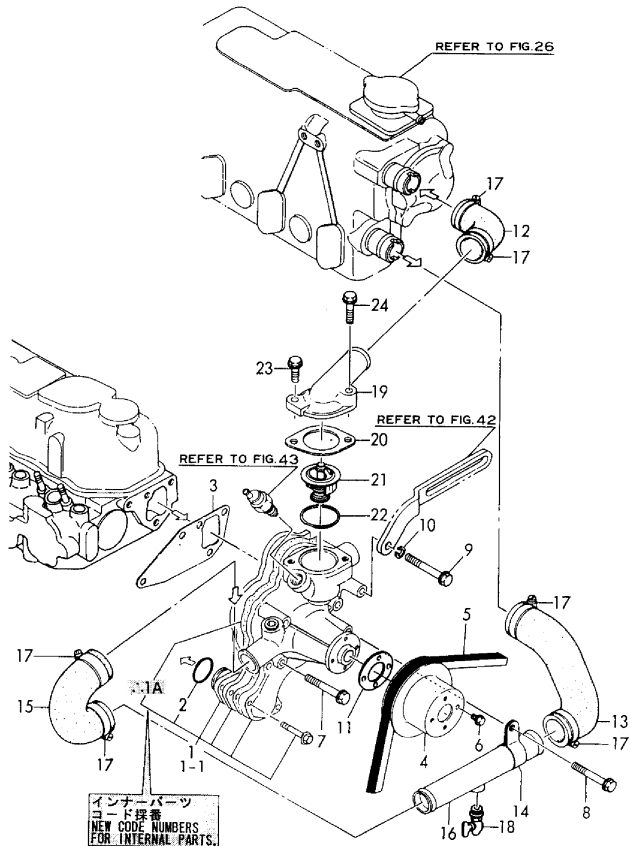
(A)=4JH
(B)=4JH-T
(C)=4JH-HT

(D)=
(E)=
(F)=

発行No. 00Y00F2441-3
更新年月: 1994. 7
REVISED: July, 1994

Fig. 25 CFWシステム
COOLING FRESH WATER SYSTEM

SPEC. CODE
D29495-42300
D29470-49200
D29470-49300

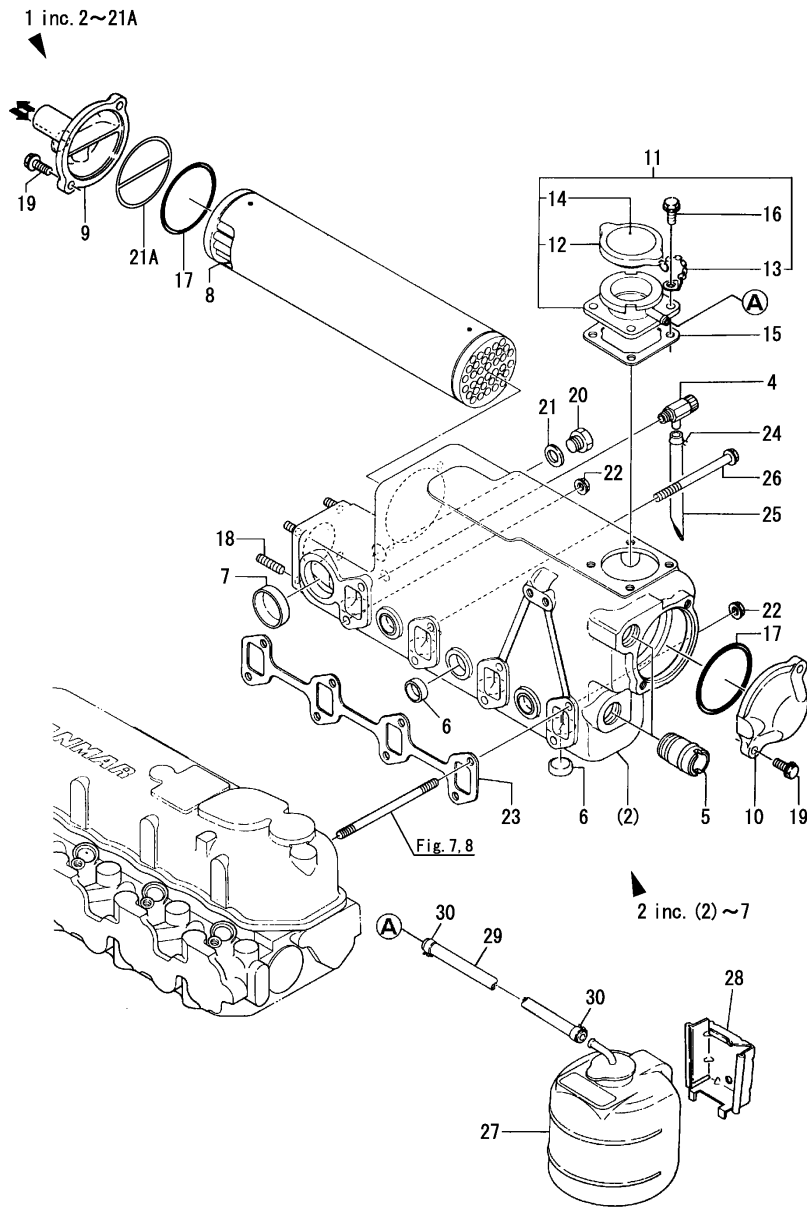


印が今回変更(追加)した箇所です。
MARKED PART HAS BEEN CHANGED(ADDED).

No.	Lev.	Parts No.	Description	Qty						I	R
				(A)	(B)	(C)	(D)	(E)	(F)		
1	1	129470-42000	PUMP ASSY, WATER	1	1	1					1
1-1	1	129470-42001	PUMP ASSY, WATER	1	1	1					N 1
		(A=*1991.01) (B=*1991.01) (C=*1991.01)									
1A	2	129150-42051	GASKET, WATER PUMP	1	1	1					
2	2	129150-42320	O-RING	1	1	1					
3	1	129150-42020	GASKET, WATER PUMP	1	1	1					
4	1	129550-42350	V-PULLEY, D=120	1	1	1					
5	1	25132-004500	V-BELT, A45	1	1	1					
6	1	26106-060102	BOLT, M6X 10 PLATED	4	4	4					
7	1	26106-080552	BOLT, M8X 55 PLATED	2	2	2					
8	1	26106-080552	BOLT, M8X 55 PLATED	1	1	1					
9	1	26106-080652	BOLT, M8X 65 PLATED	1	1	1					
10	1	22217-080000	WASHER, SPRING 8	1	1	1					
11	1	129156-44760	WASHER	1	1	1					W
		(A=*1984.08) (B=*1984.08) (C=*1984.08)									
12	1	129470-49260	JOINT, RUBBER	1	1	1					
13	1	129470-49200	JOINT, RUBBER	1	1	1					
14	1	129470-49220	RETAINER	1	1	1					
15	1	129470-49240	JOINT, RUBBER 28	1	1	1					
16	1	129470-49250	PIPE, WATER	1	1	1					
17	1	23000-041000	CLAMP, 41	6	6	6					
18	1	128695-44090	COCK	1	1	1					
19	1	129470-49540	COVER, THERMOSTAT	1	1	1					
20	1	129795-49550	GASKET	1	1	1					
20-1	1	129470-49550	GASKET	1	1	1					R
		(A=*1988.08) (B=*1988.08) (C=*1988.08)									
21	1	129470-49801	THERMOSTAT, 76.5	1	1	1					
22	1	129150-49810	GASKET, THERMOSTAT	1	1	1					
22-1	1	129470-49810	GASKET, THERMOSTAT	1	1	1					R
		(A=*1988.08) (B=*1988.08) (C=*1988.08)									
23	1	26106-080252	BOLT, M8X 25 PLATED	1	1	1					
24	1	26106-080352	BOLT, M8X 35 PLATED	1	1	1					

Remarks
(1) THE INTERNAL PARTS IN REFERENCES, NOS. 1A AND 2, CAN BE SUPPLIED SEPARATELY, HOWEVER, THE PARTS IN REFERENCES, NOS. 1 AND 1-1, CANNOT BE SUPPLIED INDIVIDUALLY, PLEASE BE SURE TO REPLACE THESE PARTS AS A COMPLETE ASSEMBLY.

Fig.26. COOLING FRESH WATER COOLER



(A)=4JH
(B)=4JH-T
(C)=4JH-HT

(D)=
(E)=
(F)=

No.	Lev.	Parts No.	Description	Qty						I	R
				(A)	(B)	(C)	(D)	(E)	(F)		
1	1	729495-44500	COOLER ASSY, WATER	1	1	1					
2	2	129495-44000	COOLER ASSY, WATER	1	1	1					
4	3	120130-49350	COCK, 1/4	1	1	1					
5	3	124160-49480	JOINT, PIPE	2	2	2					
6	3	27241-280000	PLUG, 28	7	7	7					
7	3	27241-400000	PLUG, 40	1	1	1					
8	2	129470-44110	CORE ASSY, COOLER	1	1	1					
9	2	129470-44440	COVER, A	1	1	1					
10	2	129470-44450	COVER, B	1	1	1					
11	2	120445-44600	FILLER ASSY	1	1	1					
12	3	123682-44210	CAP, RADIATOR	1	1	1					
13	3	123682-44220	CHAIN	1	1	1					
14	3	120445-44620	LABEL, CAUTION	1	1	1					
15	2	120445-44640	GASKET	1	1	1					
16	2	26106-080142	BOLT, M8X 14 PLATED	4	4	4					
17	2	24321-000750	O-RING, 1AG75.0	2	2	2					
18	2	26213-080182	STUD, M8X 18	4	4	4					
18-1	2	128170-13600	STUD, M8X31	4	4	4					R
		(A=EXXXXX) (B=EXXXXX) (C=EXXXXX)									
19	2	26106-080252	BOLT, M8X 25 PLATED	4	4	4					
20	2	23893-030002	PLUG, G3/8	1	1	1					
21	2	23414-170000	GASKET, 17X1.0	1	1	1					
21A	2	120322-33050	GASKET	1	1	1					W
		(A=EXXXXX) (B=EXXXXX) (C=EXXXXX)									
22	1	26366-080002	NUT, M8	2	2	2					
23	1	129550-13110	GASKET	1	1	1					
24	1	124460-77680	RETAINER	1	1	1					
25	1	23061-070300	PIPE, 7X 300	1	1	1					
26	1	26106-081002	BOLT, M8X100 PLATED	6	6	6					
27	1	120445-44530	TANK, SUB	1	1	1					
28	1	120445-44540	SUPPORT	1	1	1					
29	1	124790-44560	PIPE, WATER L=1000	1	1	1					
30	1	23010-013000	CLAMP 13	2	2	2					

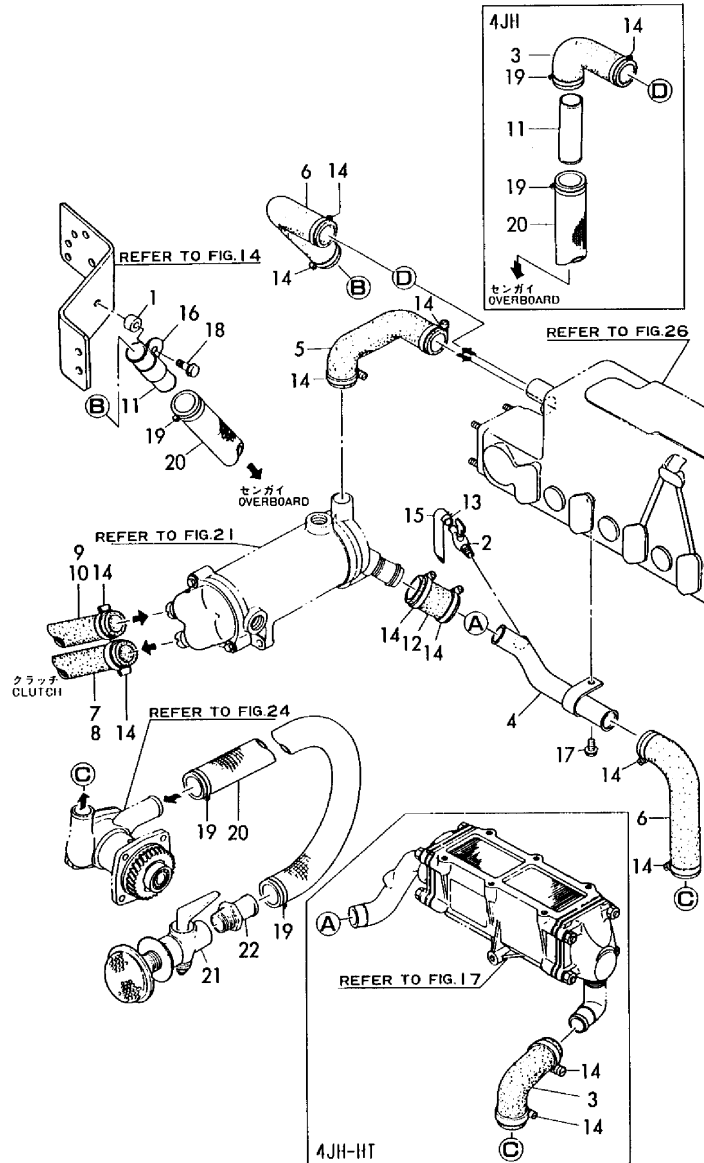
Fig.27. KINGSTON COCK

(A)=4JH
(B)=4JH-T
(C)=4JH-HT

(D)=
(E)=
(F)=

Fig. 27 CWパイプ(カイスイ)
COOLING SEA WATER LINE

SPEC. CODE D29492-49100
D29795-48100 D29494-49100
D29490-49100 D29490-49400
D29492-49400



No.	Lev.	Parts No.	Description	Q'ty						I	R
				(A)	(B)	(C)	(D)	(E)	(F)		
1	1	123372-03150	SPACER		1	1					
2	1	128695-44090	COCK	1	1						
3	1	129474-49010	PIPE, WATER	1		1					
4	1	129495-49010	PIPE, WATER	1	1						
5	1	129474-49030	PIPE, WATER	1	1	1					
6	1	129470-49040	PIPE, WATER	1	2	1					
7	1	129490-49050	PIPE, WATER	1	1						
8	1	129494-49050	PIPE, WATER					1			
9	1	129490-49060	PIPE, WATER	1	1						
10	1	129494-49060	PIPE						1		
11	1	129490-49070	JOINT	1	1	1					
12	1	129474-49110	JOINT, RUBBER	1	1	1					
13	1	124460-77680	RETAINER	1	1						
14	1	23000-035000	CLAMP, 35	11	12	12					
15	1	23061-070300	PIPE, 7X 300	1	1						
16	1	23297-250081	CLAMP, A27X12		1	1					
17	1	26106-080162	BOLT, M8X 16 PLATED	1	1						
18	1	26106-080202	BOLT, M8X 20 PLATED		1	1					
19	1	23000-035000	CLAMP, 35	5	4	4					
20	1	23072-102000	HOSE, 10X2000	1	1	1					
21	1	43662-025030	COCK ASSY, SEA WATER	1	1	1					
22	1	43530-500570	JOINT	1	1	1					

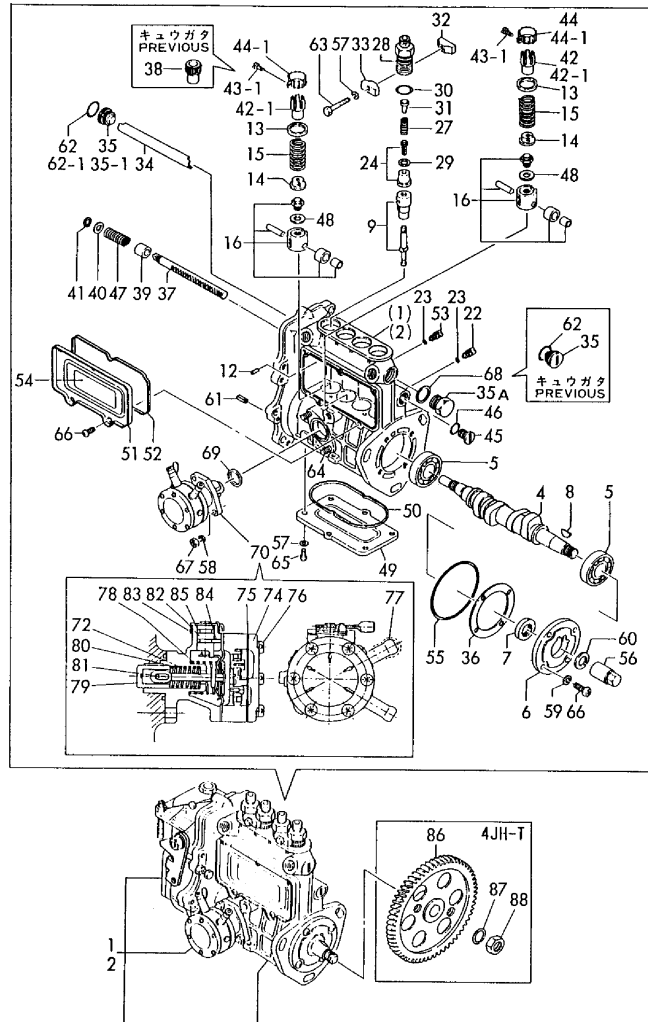
Fig.28. FUEL INJECTION PUMP

(A)=4JH
(B)=4JH-T
(C)=4JH-HT

(D)=
(E)=
(F)=

Fig. 28 FOフンシャポンプ(4JH,-T)
FUEL INJECTION PUMP

SPEC. CODE
D29573-25200
D29495-51100
D29158-52100



No.	Lev.	Parts No.	Description	Q'ty						I	R
				(A)	(B)	(C)	(D)	(E)	(F)		
1	1	729495-51350	PUMP ASSY, INJECTION	1							1
2	1	729497-51350	PUMP ASSY, INJECTION		1						1
4	2	129470-51040	CAMSHAFT	1	1						
5	2	122710-51050	BEARING, HR30203J	2	2						
6	2	129470-51060	RETAINER, BEARING	1	1						
7	2	129470-51080	SEAL, AF0741F0	1	1						
8	2	122710-51090	KEY	1	1						
9	2	129470-51101	PLUNGER ASSY	4	4						
12	2	129155-51140	PIN	4	4						
13	2	174307-51170	RETAINER, SPRING A	4	4						
14	2	129155-51180	RETAINER, SPRING	4	4						
15	2	124950-51190	SPRING, PLUNGER	4	4						
16	2	129155-51200	TAPPET ASSY	4	4						
22	2	129155-51270	STOPPER, TAPPET	4	4						
23	2	129155-51280	O-RING, S6	5	5						
23-1	2	129155-51280	O-RING, S6	4	4						K
		(A=*1985.01) (B=*1985.01)									
24	2	128696-51300	VALVE ASSY, DELIVERY	4	4						
24-1	2	128170-51300	VALVE ASSY, DELIVERY	4	4						S
		(A=*1985.01) (B=*1985.01)									
27	2	129155-51320	SPRING, DELIVERY	4	4						
28	2	129155-51340	RETAINER	4	4						
29	2	124550-51350	GASKET, DELIVERY	4	4						
30	2	124550-51370	O-RING	4	4						
31	2	129155-51370	STOPPER, VALVE	4	4						
32	2	129155-51380	STOPPER	4	4						
32-1	2	129155-51380	STOPPER	2	2						K
		(A=*1985.01) (B=*1985.01)									
33	2	129155-51390	STOPPER	4	4						
33-1	2	129155-51390	STOPPER	2	2						K
		(A=*1985.01) (B=*1985.01)									
34	2	129555-51400	DEFLECTOR	1	1						
35	2	129555-51410	BOLT	2	2						
35-1	2	129155-51410	BOLT	1	1						K
		(A=*1985.01) (B=*1985.01)									
35A	2	129155-51420	PLUG, M16	1	1						W
		(A=*1985.01) (B=*1985.01)									
36	2	129555-51450	SHIM SET	1	1						
36-1	2	129155-51450	SHIM SET, ADJUSTING	1	1						S
		(A=*1985.01) (B=*1985.01)									
37	2	129555-51500	RACK, CONTROL	1	1						
38	2	129155-51510	PINION, CONTROL	1	1						Z
		(A=*1985.01) (B=*1985.01)									
39	2	129155-51520	BUSH, RACK	1	1						
39-1	2	129155-51521	BUSH, RACK	1	1						N
		(A=*1985.01) (B=*1985.01)									
40	2	129155-51530	SPACER	1	1						
41	2	129155-51540	CIRCLIP	1	1						
42	2	129155-51550	PINION, CONTROL	3	3						
42-1	2	129155-51550	PINION, CONTROL	4	4						K
		(A=*1985.01) (B=*1985.01)									

Remarks

(1) GOVERNOR ASSY(FIG 35) IS INCORPORATED IN THIS FUEL INJECTION PUMP ASSY (REF NO.1, & NO.2)

Fig.28. FUEL INJECTION PUMP

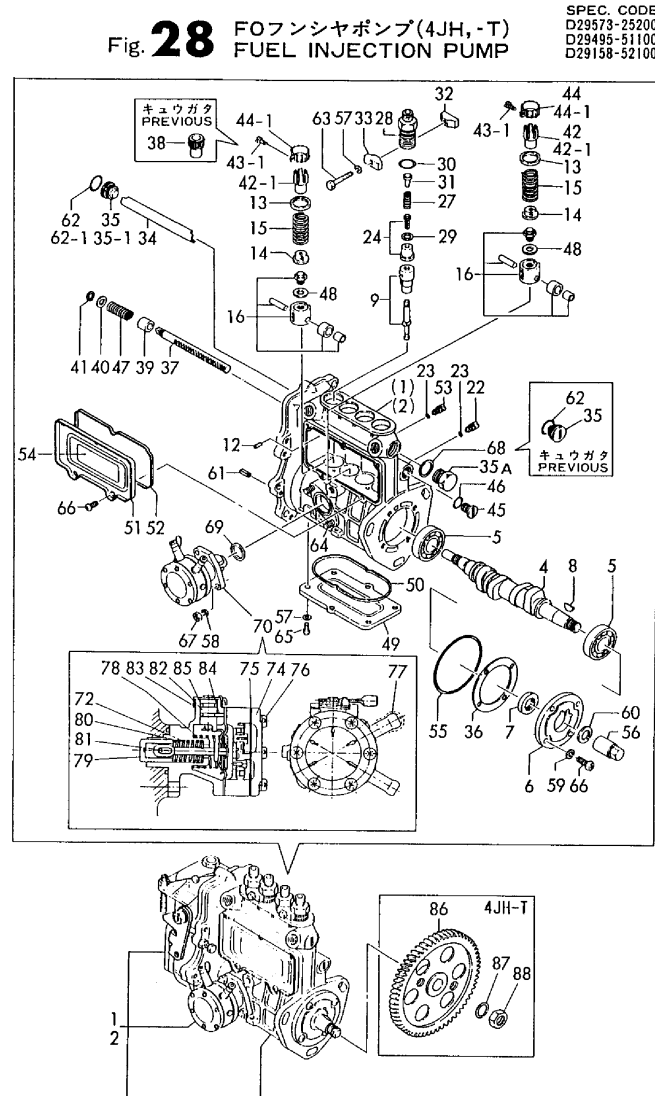


Fig. 28 FOフンシャポンプ(4JH,-T) FUEL INJECTION PUMP

SPEC. CODE
D29573-25200
D29495-51100
D29158-52100

(A)=4JH
(B)=4JH-T
(C)=4JH-HT

(D)=
(E)=
(F)=

No.	Lev.	Parts No.	Description	Q'ty						I	R
				(A)	(B)	(C)	(D)	(E)	(F)		
43	2	122117-51560	SCREW	3	3						
43-1	2	122117-51560	SCREW	4	4						K
		(A=*1985.01)	(B=*1985.01)								
44	2	174307-51560	PINION	3	3						
44-1	2	174307-51560	PINION	4	4						K
		(A=*1985.01)	(B=*1985.01)								
45	2	129155-51570	PLUG, M12	1	1						
46	2	129155-51580	O-RING	1	1						
47	2	129155-51590	SPRING, RACK	1	1						
47-1	2	129155-51591	SPRING, RACK	1	1						N
		(A=*1985.01)	(B=*1985.01)								
48	2	129155-51600	SHIM SET, ADJUSTING	1	1						
48-1	2	129155-51600	SHIM SET, ADJUSTING	4	4						K
		(A=*1985.01)	(B=*1985.01)								
49	2	129555-51700	COVER	1	1						
50	2	129555-51710	GASKET	1	1						
51	2	129555-51750	COVER	1	1						
52	2	129555-51760	GASKET	1	1						
53	2	129155-51790	STOOPER, RACK	1	1						
54	2	129156-51910	LABEL, CAUTION	1	1						
55	2	121850-51960	O-RING	1	1						
56	2	121850-54780	NUT, CAP	1	1						
56-1	2	121850-61380	NUT	1	1						N
		(A=*1985.01)	(B=*1985.01)								
57	2	22217-050000	WASHER, SPRING 5	8	8						
57-1	2	22217-050000	WASHER, SPRING 5	6	6						K
		(A=*1985.01)	(B=*1985.01)								
58	2	22217-060000	WASHER, SPRING 6	2	2						
59	2	22287-060000	WASHER 6	4	4						
60	2	22287-120000	WASHER, 12	1	1						
61	2	22351-050010	PIN, SPRING 5.0X10	2	2						
62	2	24341-000160	O-RING, 1AS16.0	2	2						
62-1	2	24341-000160	O-RING, 1AS16.0	1	1						K
		(A=*1985.01)	(B=*1985.01)								
63	2	26116-050309	BOLT M 5X 30 PLATED	2	2						
64	2	26216-060142	STUD, M6X 14	2	2						
64-1	2	129155-51020	STUD	2	2						R
		(A=*1987.11)	(B=*1987.11)								
65	2	26557-050102	SCREW, M5X10	6	6						
66	2	26557-060162	SCREW M 6X 16	4	4						
67	2	26716-060002	NUT, M6	2	2						
68	2	43400-500490	SEAL WASHER 16S	1	1						W
		(A=*1985.01)	(B=*1985.01)								
69	2	129155-52050	GASKET	1	1						
70	2	129158-52100	PUMP ASSY, FUEL FEED	1	1						
72	3	129158-52020	DIAPHRAGM				1				
74	3	129158-52060	COVER	1	1						
75	3	129158-52070	GASKET	1	1						
76	3	129158-52080	SCREW	6	6						
77	3	129158-52090	CAP	2	2						
78	3	129158-52160	SPRING	1	1						

Remarks

(1) GOVERNOR ASSY(FIG 35) IS INCORPORATED IN THIS FUEL INJECTION PUMP ASSY (REF NO.1, & NO.2)

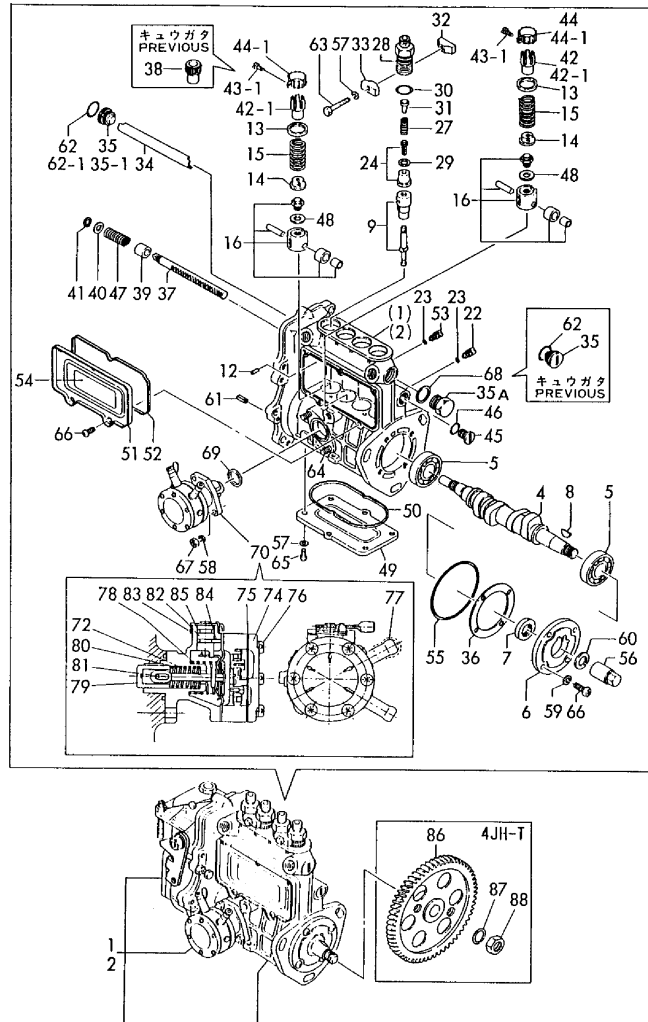
Fig.28. FUEL INJECTION PUMP

(A)=4JH
(B)=4JH-T
(C)=4JH-HT

(D)=
(E)=
(F)=

Fig. 28 FOフンシャポンプ(4JH,-T)
FUEL INJECTION PUMP

SPEC. CODE
D29573-25200
D29495-51100
D29158-52100



No.	Lev.	Parts No.	Description	Qty						I	R
				(A)	(B)	(C)	(D)	(E)	(F)		
79	3	129158-52250	TAPPET	1	1						
80	3	129158-52260	SPRING	1	1						
81	3	129158-52270	PIN	1	1						
82	3	129158-52350	LEVER	1	1						
83	3	129158-52360	SPRING, RETURN	1	1						
84	3	129158-52370	PIN	1	1						
85	3	129158-52380	O-RING		1	1					
86	1	129573-25900	GEAR, PUMP								
87	1	22217-120000	WASHER, SPRING 12			1					
88	1	26716-120002	NUT, M12			1					

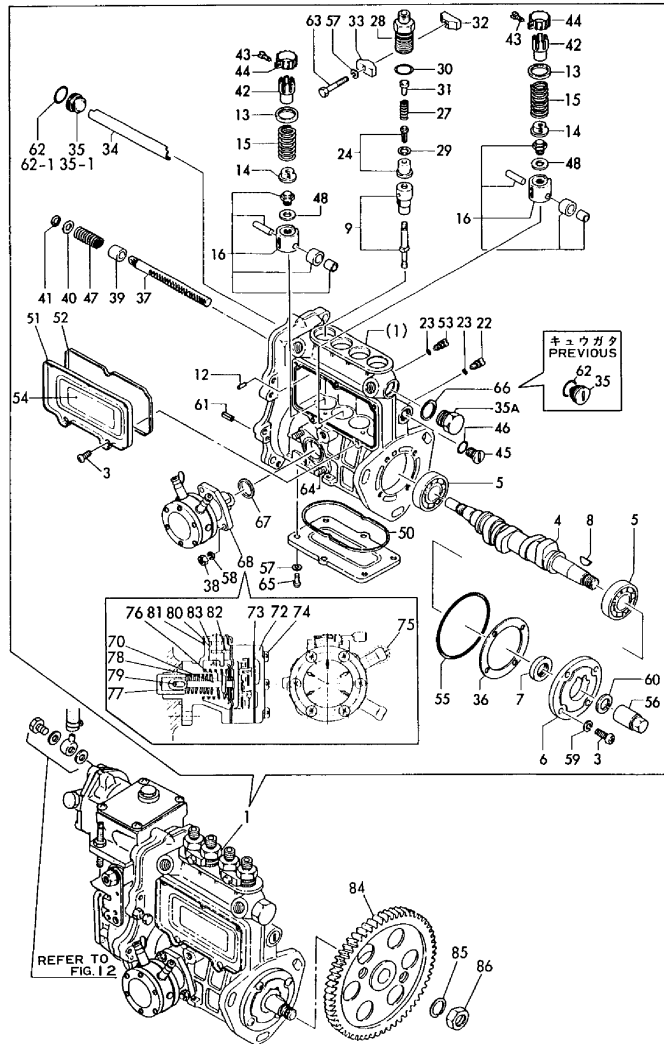
Remarks

(1) GOVERNOR ASSY(FIG 35) IS
INCORPORATED IN THIS FUEL
INJECTION PUMP ASSY (REF NO.1, &
NO.2)

Fig.29. FUEL INJECTION PUMP

Fig. 29 FOファンシャポンプ(4JH-HT)
FUEL INJECTION PUMP

SPEC. CODE
D29573-25200
D29499-51101
D29158-52100



(A)=4JH
(B)=4JH-T
(C)=4JH-HT

(D)=
(E)=
(F)=

No.	Lev.	Parts No.	Description	Qty						I	R
				(A)	(B)	(C)	(D)	(E)	(F)		
1	1	729499-51350	PUMP ASSY, INJECTION			1					1
1-1	1	729499-51390	PUMP ASSY, INJECTION (C=*1987.07)			1					S 2
3	2	26557-060162	SCREW M 6X 16			9					
3-1	2	26022-060162	SCREW, M6X16 (C=EXXX)			4					K
4	2	129470-51040	CAMSHAFT			1					
5	2	122710-51050	BEARING, HR30203J			2					
6	2	129470-51060	RETAINER, BEARING			1					
7	2	129470-51080	SEAL, AF0741F0			1					
8	2	122710-51090	KEY			1					
9	2	129470-51101	PLUNGER ASSY			4					
12	2	129155-51140	PIN			4					
13	2	174307-51170	RETAINER, SPRING A			4					
14	2	129155-51180	RETAINER, SPRING			4					
15	2	124950-51190	SPRING, PLUNGER			4					
16	2	129155-51200	TAPPET ASSY			4					
22	2	129155-51270	STOPPER, TAPPET			4					
23	2	129155-51280	O-RING, S6			5					
23-1	2	129155-51280	O-RING, S6 (C=*1985.03)			4					K
24	2	129499-51300	VALVE ASSY, DELIVERY			4					
24-1	2	129499-51301	VALVE ASSY, DELIVERY (C=*1985.03)			4					S
27	2	129155-51320	SPRING, DELIVERY			4					
28	2	129155-51340	RETAINER			4					
29	2	124550-51350	GASKET, DELIVERY			4					
30	2	124550-51370	O-RING			4					
31	2	129155-51370	STOPPER, VALVE			4					
32	2	129155-51380	STOPPER			4					
32-1	2	129155-51380	STOPPER (C=*1985.03)			2					K
33	2	129155-51390	STOPPER			4					
33-1	2	129155-51390	STOPPER (C=*1985.03)			2					K
34	2	129555-51400	DEFLECTOR			1					
35	2	129555-51410	BOLT			2					
35-1	2	129155-51410	BOLT (C=*1985.03)			1					K
35A	2	129155-51420	PLUG, M16 (C=*1985.03)			1					W
36	2	129555-51450	SHIM SET			1					
36-1	2	129155-51450	SHIM SET, ADJUSTING (C=*1985.03)			1					S
37	2	129555-51500	RACK, CONTROL			1					
38	2	26716-060002	NUT, M6			2					
39	2	129155-51520	BUSH, RACK			1					
39-1	2	129155-51521	BUSH, RACK (C=*1985.03)			1					N
40	2	129155-51530	SPACER			1					
41	2	129155-51540	CIRCLIP			1					

Remarks

(1) GOVERNOR ASSY(FIG.36) IS INCORPORATED IN THIS FUEL INJECTION PUMP ASSY(REF.NO.1)
(2) GOVERNOR ASSY(FIG.37) IS INCORPORATED IN THIS FUEL INJECTION PUMP ASSY(REF.NO.1-1)

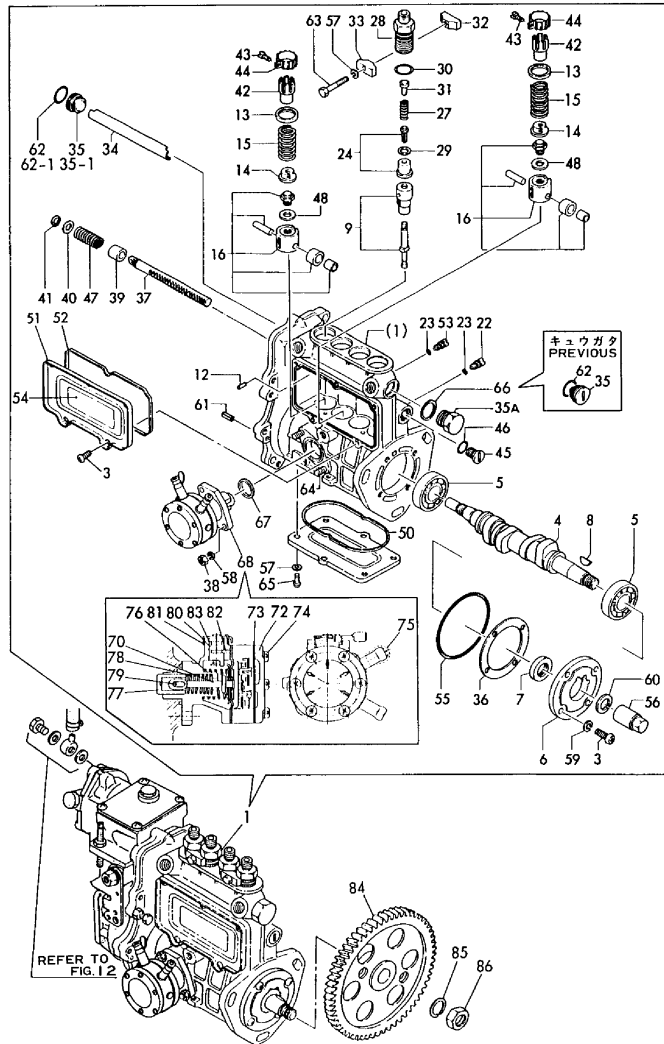
Fig.29. FUEL INJECTION PUMP

(A)=4JH
(B)=4JH-T
(C)=4JH-HT

(D)=
(E)=
(F)=

Fig. 29 FOフンシャポンプ(4JH-HT)
FUEL INJECTION PUMP

SPEC. CODE
D29573-25200
D29499-51101
D29158-52100



No.	Lev.	Parts No.	Description	Q'ty						I	R
				(A)	(B)	(C)	(D)	(E)	(F)		
42	2	129155-51550	PINION, CONTROL			4					
43	2	122117-51560	SCREW			4					
44	2	174307-51560	PINION			4					
45	2	129155-51570	PLUG, M12			1					
46	2	129155-51580	O-RING			1					
47	2	129155-51591	SPRING, RACK			1					
48	2	129155-51600	SHIM SET, ADJUSTING			1					
48-1	2	129155-51600	SHIM SET, ADJUSTING (C=*1985.03)			4					K
49	2	129555-51700	COVER			1					
50	2	129555-51710	GASKET			1					
51	2	129555-51750	COVER			1					
52	2	129555-51760	GASKET			1					
53	2	129155-51790	STOOPER, RACK			1					
54	2	129156-51910	LABEL, CAUTION			1					
55	2	121850-51960	O-RING			1					
56	2	121850-61380	NUT			1					
57	2	22217-050000	WASHER, SPRING 5			6					
58	2	22217-060000	WASHER, SPRING 6			2					
59	2	22287-060000	WASHER 6			4					
60	2	22287-120000	WASHER, 12			1					
61	2	22351-050010	PIN, SPRING 5.0X10			2					
62	2	24341-000160	O-RING, 1AS16.0			2					
62-1	2	24341-000160	O-RING, 1AS16.0 (C=*1985.03)			1					K
63	2	26116-050309	BOLT M 5X 30 PLATED			2					
64	2	26216-060142	STUD, M6X 14			2					
64-1	2	129155-51020	STUD (C=*1987.11)			2					R
65	2	26557-050102	SCREW, M5X10			6					
66	2	43400-500490	SEAL WASHER 16S (C=*1985.03)			1					W
67	2	129155-52050	GASKET			1					
68	2	129158-52100	PUMP ASSY, FUEL FEED			1					
70	3	129158-52020	DIAPHRAGM			1					
72	3	129158-52060	COVER			1					
73	3	129158-52070	GASKET			1					
74	3	129158-52080	SCREW			6					
75	3	129158-52090	CAP			2					
76	3	129158-52160	SPRING			1					
77	3	129158-52250	TAPPET			1					
78	3	129158-52260	SPRING			1					
79	3	129158-52270	PIN			1					
80	3	129158-52350	LEVER			1					
81	3	129158-52360	SPRING, RETURN			1					
82	3	129158-52370	PIN			1					
83	3	129158-52380	O-RING			1					
84	1	129573-25900	GEAR, PUMP			1					
85	1	22217-120000	WASHER, SPRING 12			1					
86	1	26716-120002	NUT, M12			1					

Remarks
(1) GOVERNOR ASSY(FIG.36) IS
INCORPORATED IN THIS FUEL
INJECTION PUMP ASSY(REF.NO.1)
(2) GOVERNOR ASSY(FIG.37) IS
INJECTION PUMP ASSY(REF.NO.1-1)

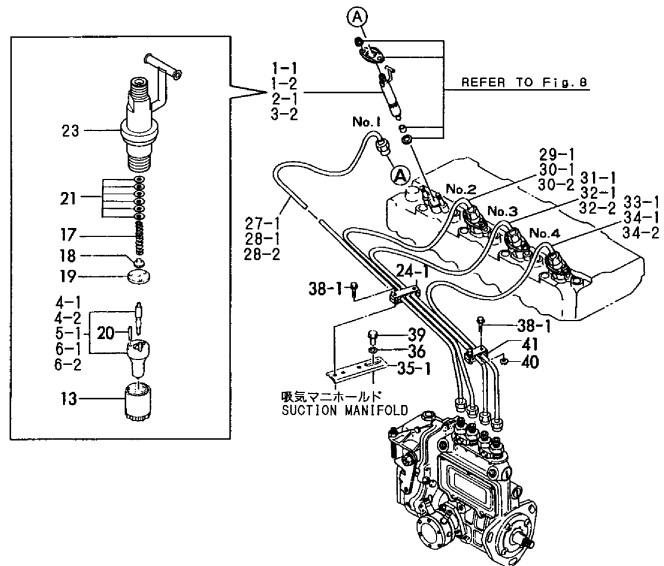
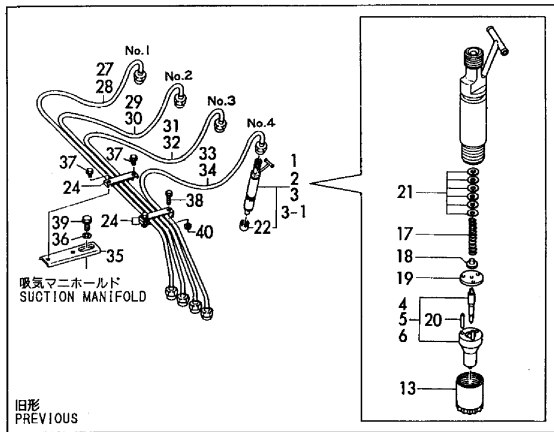
Fig.30. FUEL INJECTION VALVE

(A)=4JH
(B)=4JH-T
(C)=4JH-HT

(D)=
(E)=
(F)=

P/C NEWS No.: Y00F2441-8
PUBLISHED: 1997/06

Fig. 30 燃料噴射パイプ
FUEL INJECTION PIPE



Remarks

- (1)ENBOSSED MARK : YDLLA-155P244J1
- (2)ENBOSSED MARK : YDLLA-155P244J4
- (3)EDBOSSED MARK : YDLLA-150P244J3
- (4)EDBOSSED MARK : YDLLA-150P284J0
- (5)EDBOSSED MARK : YDLLA-140P255J2
- (6)EDBOSSED MARK : YDLLA-140P255J1
- (7)EDBOSSED MARK : YDLLA-140P255Z0

No.	Lev.	Parts No.	Description	Q'ty						I	R
				(A)	(B)	(C)	(D)	(E)	(F)		
1	1	729470-53101	VALVE ASSY,INJECTION	4							1
1-1	1	729470-53102	VALVE ASSY,INJECTION	4							S 2
(A=*1985.06)											
1-2	1	729470-53103	VALVE ASSY,INJECTION	4							N 3
(A=*1987.08)											
2	1	729472-53100	VALVE ASSY,INJECTION		4						4
2-1	1	729499-53102	VALVE ASSY,INJECTION		4						S 5
(B=*1985.06)											
3	1	729499-53101	VALVE ASSY,INJECTION			4					6
3-1	1	729499-53102	VALVE ASSY,INJECTION			4					S 5
(C=*1985.06)											
3-2	1	729595-53100	VALVE ASSY,INJECTION			4					N 7
(C=*1986.12)											
4	2	129470-53001	VALVE ASSY,INJECTION	4							1
4-1	2	129470-53002	VALVE ASSY,INJECTION	4							S 2
(A=*1985.06)											
4-2	2	129470-53003	VALVE ASSY,INJECTION	4							N 3
(A=*1987.08)											
5	2	129472-53000	VALVE ASSY,INJECTION		4						4
5-1	2	129499-53002	VALVE ASSY,INJECTION		4						S 5
(B=*1985.06)											
6	2	129499-53001	VALVE ASSY,INJECTION			4					6
6-1	2	129499-53002	VALVE ASSY,INJECTION			4					S 5
(C=*1985.06)											
6-2	2	129595-53000	VALVE ASSY,INJECTION			4					N 7
(C=*1986.12)											
13	2	114250-53080	NUT, NOZZLE D16.95	4	4	4					
17	2	114250-53120	SPRING, NOZZLE	4	4	4					
18	2	114250-53130	SEAT, SPRING	4	4	4					
19	2	114250-53140	PLATE	4	4	4					
20	2	114250-53210	PIN	8	8	8					
21	2	114250-53400	SHIM SET	4	4	4					
22	2	129120-11920	COVER	4	4	4					Z
(A=*1985.06) (B=*1985.06) (C=*1985.06)											
23	2	129470-11920	GASKET	4	4	4					W
(A=*1987.05) (B=*1987.05) (C=*1987.05)											
24	1	123472-59120	RETAINER, PIPE	3	3	3					
24-1	1	123372-59100	RETAINER, PIPE	2	2	2					S
(A=*1985.06) (B=*1985.06) (C=*1985.06)											
27	1	129470-59810	PIPE ASSY, INJECTION	1	1						
27-1	1	129470-59811	PIPE ASSY, INJECTION	1	1						S
(A=*1985.06) (B=*1985.06)											
28	1	129499-59810	PIPE ASSY, INJECTION			1					
28-1	1	129499-59811	PIPE ASSY, INJECTION			1					S
(C=*1985.06)											
28-2	1	129499-59812	PIPE ASSY, INJECTION			1					N
(C=E/#01728)											
29	1	129470-59820	PIPE ASSY, INJECTION	1	1						
29-1	1	129470-59821	PIPE ASSY, INJECTION	1	1						S
(A=*1985.06) (B=*1985.06)											
30	1	129499-59820	PIPE ASSY, INJECTION			1					

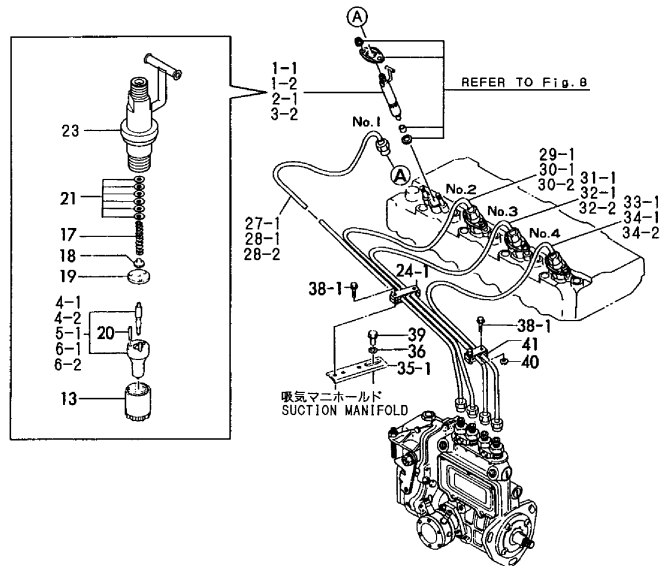
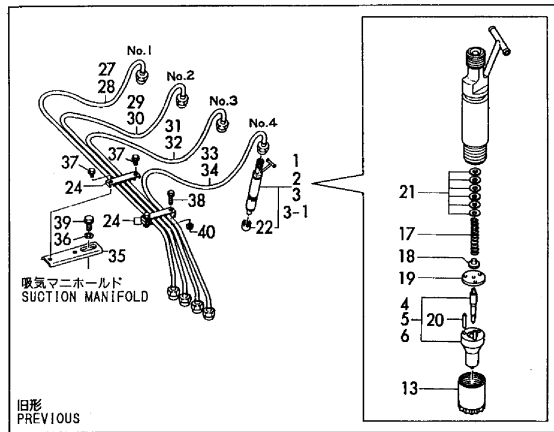
Fig.30. FUEL INJECTION VALVE

(A)=4JH
(B)=4JH-T
(C)=4JH-HT

(D)=
(E)=
(F)=

P/C NEWS No.: Y00F2441-8
PUBLISHED: 1997/06

Fig. 30 燃料噴射パイプ
FUEL INJECTION PIPE



No.	Lev.	Parts No.	Description	Qty						I	R
				(A)	(B)	(C)	(D)	(E)	(F)		
30-1	1	129499-59821	PIPE ASSY, INJECTION (C=*1985.06)			1					S
30-2	1	129499-59822	PIPE ASSY, INJECTION (C=E/#01728)			1					N
31	1	129470-59830	PIPE ASSY, INJECTION	1	1						
31-1	1	129470-59831	PIPE ASSY, INJECTION (A=*1985.06) (B=*1985.06)	1	1						S
32	1	129499-59830	PIPE ASSY, INJECTION			1					
32-1	1	129499-59831	PIPE ASSY, INJECTION (C=*1985.06)			1					S
32-2	1	129499-59832	PIPE ASSY, INJECTION (C=E/#01728)			1					N
33	1	129470-59840	PIPE ASSY, INJECTION	1	1						
33-1	1	129470-59841	PIPE ASSY, INJECTION (A=*1985.06) (B=*1985.06)	1	1						S
34	1	129499-59840	PIPE ASSY, INJECTION			1					
34-1	1	129499-59841	PIPE ASSY, INJECTION (C=*1985.06)			1					S
34-2	1	129499-59842	PIPE ASSY, INJECTION (C=E/#01728)			1					N
35	1	121970-59940	STAY	1	1	1					
35-1	1	121870-59930	STAY (A=*1985.06) (B=*1985.06) (C=*1985.06)	1	1	1					S
36	1	22217-080000	WASHER, SPRING 8	1	1	1					
37	1	26106-060102	BOLT, M6X 10 PLATED (A=*1985.06) (B=*1985.06) (C=*1985.06)	2	2	2					Z
38	1	26106-060202	BOLT, M6X 20 PLATED	2	2	2					
38-1	1	26106-060202	BOLT, M6X 20 PLATED (A=*1985.06) (B=*1985.06) (C=*1985.06)	4	4	4					K
39	1	26106-080202	BOLT, M8X 20 PLATED	1	1	1					
40	1	26366-060002	NUT, M6	2	2	2					
41	1	122780-59100	RETAINER (A=*1985.06) (B=*1985.06) (C=*1985.06)	2	2	2					W

Remarks

- (1)ENBOSSSED MARK : YDLLA-155P244J1
- (2)ENBOSSSED MARK : YDLLA-155P244J4
- (3)EDBOSSSED MARK : YDLLA-150P244J3
- (4)EDBOSSSED MARK : YDLLA-150P284J0
- (5)EDBOSSSED MARK : YDLLA-140P255J2
- (6)EDBOSSSED MARK : YDLLA-140P255J1
- (7)EDBOSSSED MARK : YDLLA-140P255Z0

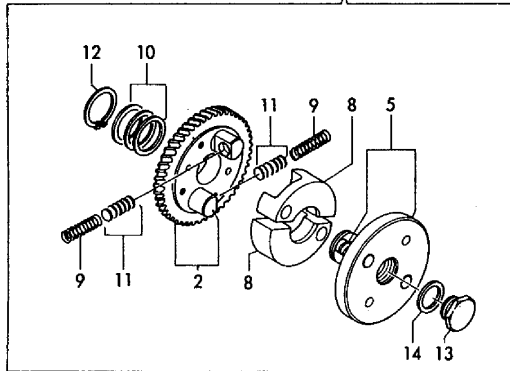
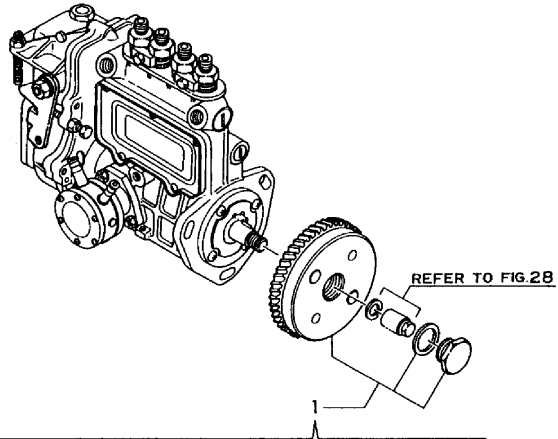
Fig.31. TIMER

(A)=4JH
(B)=4JH-T
(C)=4JH-HT

(D)=
(E)=
(F)=

Fig. 31 タイマ(4JH)
TIMER

SPEC. CODE
D29470-25300
D29470-54101



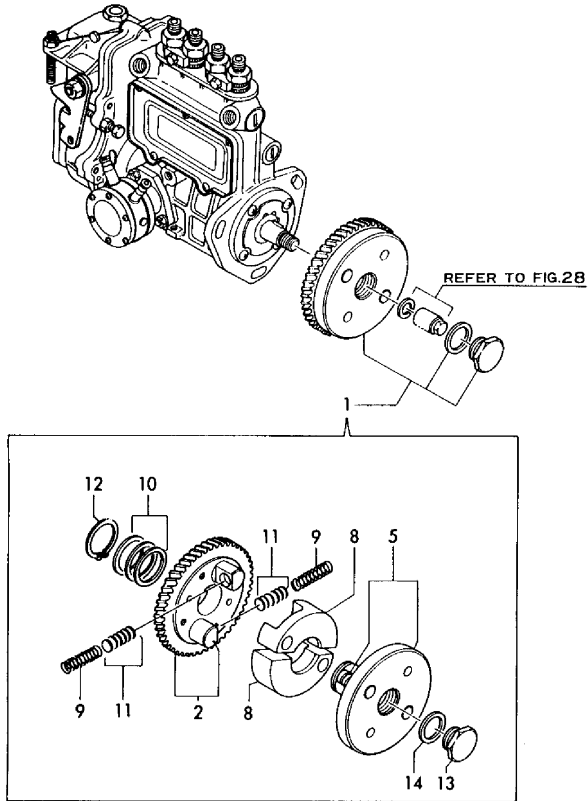
No.	Lev.	Parts No.	Description	Q'ty						I	R
				(A)	(B)	(C)	(D)	(E)	(F)		
1	1	729470-54101	TIMER ASSY	1							1
2	2	129470-54510	GEAR ASSY, TIMER	1							
5	2	129470-54551	HUB ASSY, TIMER	1							
8	2	129470-54650	WEIGHT, TIMER	2							
9	2	120130-54800	SPRING, TIMER	2							
10	2	119620-54900	SHIM SET	1							
11	2	121850-54900	SHIM SET, SPRING	2							
12	2	22242-000320	RING, 32	1							
13	2	124410-54940	PLUG	1							
14	2	23414-240031	GASKET, 24X1.0	1							

Fig.32. TIMER(PREVIOUS)

(A)=4JH
(B)=4JH-T
(C)=4JH-HT

(D)=
(E)=
(F)=

Fig. **32** タイマ(4JH-T)(キュウガタ)
TIMER (PREVIOUS)



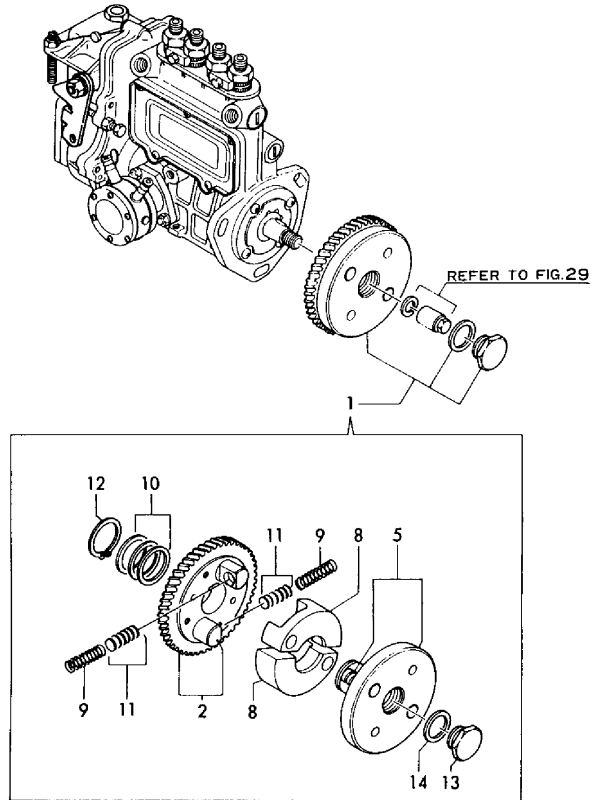
No.	Lev.	Parts No.	Description	Q'ty						I	R
				(A)	(B)	(C)	(D)	(E)	(F)		
1	1	729472-54100	TIMER ASSY		1						1
1-1	1	729499-54100 (B=*1985.06)	TIMER ASSY		1						S 2
1-2	1	729499-54100 (B=*1988.01)	TIMER ASSY		1						Z
2	2	129470-54510 (B=*1988.01)	GEAR ASSY, TIMER		1						Z
5	2	129472-54550	HUB ASSY, TIMER		1						
5-1	2	129499-54550 (B=*1985.06)	HUB ASSY, TIMER		1						S
5-2	2	129499-54550 (B=*1988.01)	HUB ASSY, TIMER		1						Z
8	2	129470-54650 (B=*1988.01)	WEIGHT, TIMER		2						Z
9	2	129795-54800 (B=*1988.01)	SPRING, TIMER		2						Z
10	2	119620-54900 (B=*1988.01)	SHIM SET		1						Z
11	2	121850-54900 (B=*1988.01)	SHIM SET, SPRING		2						Z
12	2	22242-000320 (B=*1988.01)	RING, 32		1						Z
13	2	124410-54940 (B=*1988.01)	PLUG		1						Z
14	2	23414-240031 (B=*1988.01)	GASKET, 24X1.0		1						Z

Fig.33. TIMER(PREVIOUS)

(A)=4JH
(B)=4JH-T
(C)=4JH-HT

(D)=
(E)=
(F)=

Fig.33 タイマ(4JH-HT)(キュウガタ)
TIMER (PREVIOUS)



No.	Lev.	Parts No.	Description	Qty						I	R	
				(A)	(B)	(C)	(D)	(E)	(F)			
1	1	729499-54100	TIMER ASSY (C=*1988.01)			1					Z	1
2	2	129470-54510	GEAR ASSY, TIMER (C=*1988.01)			1					Z	
5	2	129499-54550	HUB ASSY, TIMER (C=*1988.01)			1					Z	
8	2	129470-54650	WEIGHT, TIMER (C=*1988.01)			2					Z	
9	2	129795-54800	SPRING, TIMER (C=*1988.01)			2					Z	
10	2	119620-54900	SHIM SET (C=*1988.01)			1					Z	
11	2	121850-54900	SHIM SET, SPRING (C=*1988.01)			2					Z	
12	2	22242-000320	RING, 32 (C=*1988.01)			1					Z	
13	2	124410-54940	PLUG (C=*1988.01)			1					Z	
14	2	23414-240031	GASKET, 24X1.0 (C=*1988.01)			1					Z	

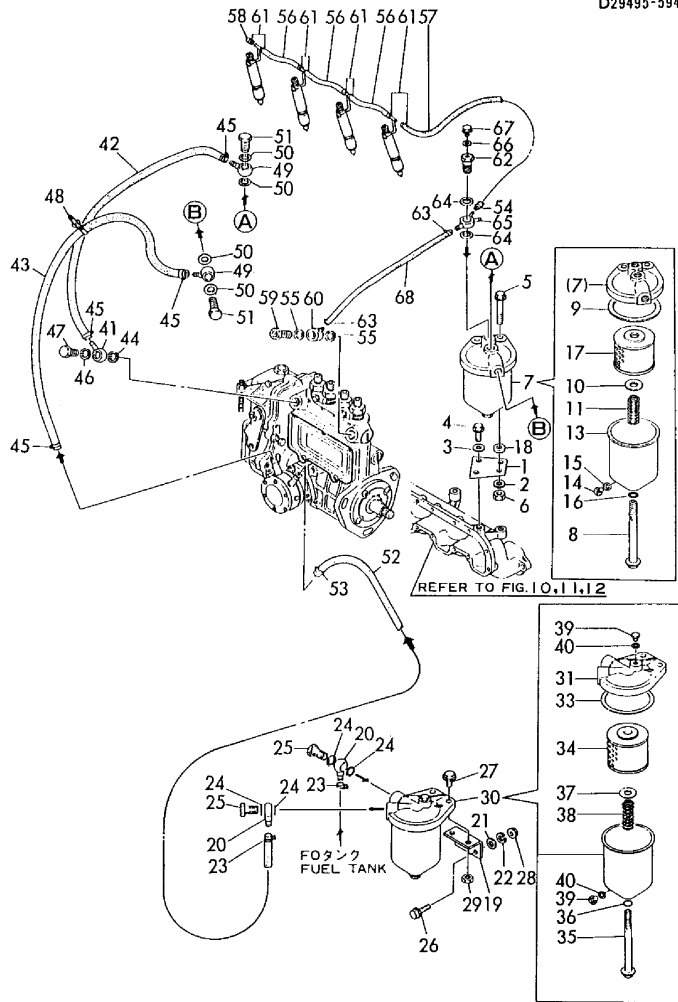
Fig.34. FUEL LINE

(A)=4JH
(B)=4JH-T
(C)=4JH-HT

(D)=
(E)=
(F)=

Fig. 34 FOパイプ FUEL LINE

SPEC. CODE
D29495-55101
D29495-55200
D29495-59200
D29495-59301
D29495-59400



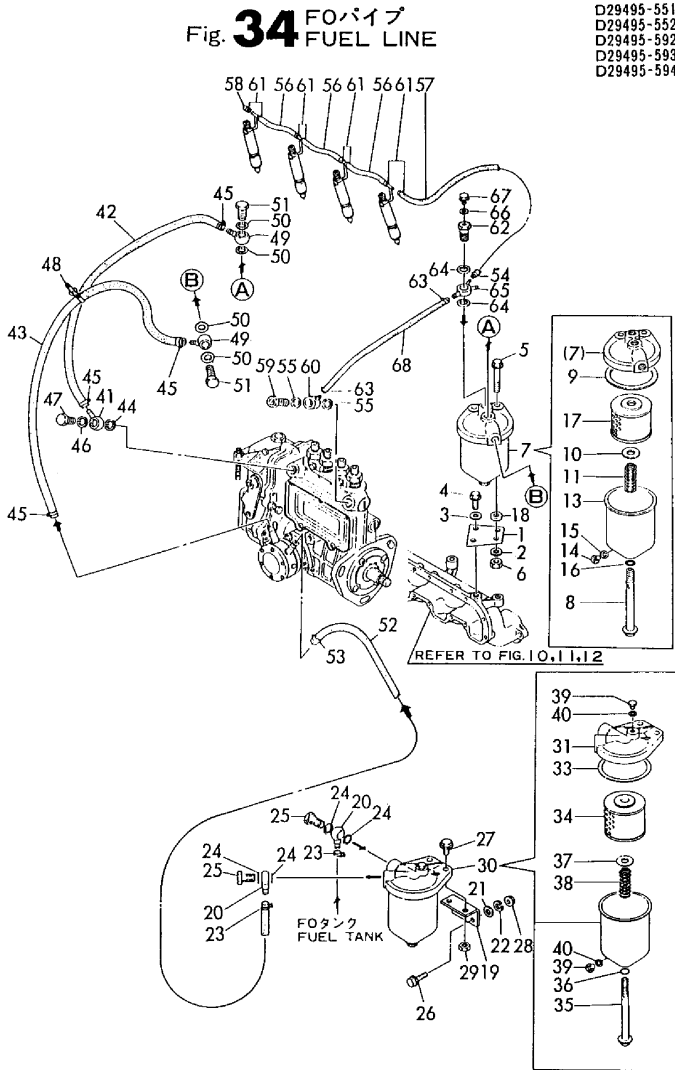
No.	Lev.	Parts No.	Description	Q'ty						I	R
				(A)	(B)	(C)	(D)	(E)	(F)		
1	1	129495-55010	BRACKET	1	1	1					
2	1	22137-100000	WASHER, 10	2	2	2					
3	1	22137-100000	WASHER, 10	2	2	2					
4	1	26106-100202	BOLT, M10X 20 PLATED	2	2	2					
5	1	26106-100552	BOLT, M10X 55 PLATED	2	2	2					
6	1	26706-100002	NUT, M10	1	1	1					
6-1	1	26706-100002	NUT, M10	2	2	2					K
		(A=EXXX) (B=EXXX) (C=EXXX)									
7	1	41650-550300	STRAINER, FUEL	1	1	1					
7-1	1	129495-55600	FILTER ASSY, FUEL	1	1	1					S
		(A=*1985.03) (B=*1985.03) (C=*1985.03)									
8	2	123325-35110	BOLT	1	1	1					
8-1	2	129495-55620	BOLT	1	1	1					S
		(A=*1985.03) (B=*1985.03) (C=*1985.03)									
9	2	123325-35140	GASKET	1	1	1					
10	2	123325-35160	WASHER	1	1	1					
11	2	123325-35170	SPRING	1	1	1					
13	2	123672-55720	CASE	1	1	1					
14	2	123672-55750	PLUG, DRAIN M8	1	1	1					
15	2	123672-55760	GASKET	1	1	1					
16	2	24311-000120	O-RING, 1AP12.0	1	1	1					
17	2	41650-550800	ELEMENT, FUEL	1	1	1					
18	1	45511-501250	SPACER	2	2	2					
19	1	123672-55811	BRACKET	1	1	1					
20	1	121750-59910	JOINT	2	2	2					
21	1	22137-080000	WASHER, 8	2	2	2					
22	1	22217-080000	WASHER, SPRING 8	2	2	2					
23	1	23000-016000	CLAMP, 16	2	2	2					
24	1	23414-140000	GASKET, 14X1.0	4	4	4					
25	1	23857-080000	BOLT, JOINT 8	2	2	2					
26	1	26106-080402	BOLT, M8X 40 PLATED	2	2	2					
27	1	26106-100202	BOLT, M10X 20 PLATED	2	2	2					
28	1	26366-080002	NUT, M8	2	2	2					
29	1	26706-100002	NUT, M10	2	2	2					
30	1	43623-500030	SEPARATOR	1	1	1					
31	2	123672-55700	COVER	1	1	1					M
31-1	2	X2740134001	COVER ASSY	1	1	1					
33	2	123325-35140	GASKET	1	1	1					
34	2	42430-550060	ELEMENT, FUEL OIL	1	1	1					
35	2	123325-35110	BOLT	1	1	1					
36	2	24311-000120	O-RING, 1AP12.0	1	1	1					
37	2	123678-55860	SEAT, SPRING D30/16	1	1	1					
38	2	123678-55790	SPRING, SET	1	1	1					M
38-1	2	X0600160122	SPRING	1	1	1					
39	2	23887-080002	PLUG 8	2	2	2					
40	2	23414-080000	GASKET, 8X1.0	2	2	2					
41	1	104264-59020	JOINT	1	1	1					
41-1	1	101304-59020	JOINT, PIPE 12	1	1	1					N
		(A=*1987.09) (B=*1987.09) (C=*1987.09)									
42	1	105582-59540	PIPE, FUEL L=300	1	1	1					
42-1	1	129470-59120	PIPE, FUEL	1	1	1					N

Remarks
(M)MISPRINT:REFER TO THE NEXT ITEM.

Fig.34. FUEL LINE

(A)=4JH
(B)=4JH-T
(C)=4JH-HT

(D)=
(E)=
(F)=



No.	Lev.	Parts No.	Description	Q'ty						I	R
				(A)	(B)	(C)	(D)	(E)	(F)		
		(A=*1985.11) (B=*1985.11) (C=*1985.11)									
43	1	129470-59120	PIPE, FUEL	1	1	1					
44	1	104200-59170	GASKET, 12	1	1	1					
45	1	23080-013000	CLAMP, 13	4	4	4					
46	1	23414-120000	GASKET, 12X1.0	1	1	1					
47	1	23857-060000	BOLT, JOINT 6	1	1	1					
48	1	121750-59890	BAND, 140	1	1	1					
49	1	121750-59910	JOINT	2	2	2					
49-1	1	121855-59880	JOINT, PIPE	2	2	2					N
		(A=*1987.09) (B=*1987.09) (C=*1987.09)									
50	1	23414-140000	GASKET, 14X1.0	4	4	4					
51	1	23857-080000	BOLT, JOINT 8	2	2	2					
52	1	129795-59100	PIPE, FUEL L=4000	1	1	1					
53	1	23000-016000	CLAMP, 16	4	4	4					W
		(A=*1988.07) (B=*1988.07) (C=*1988.07)									
54	1	124066-59100	CLIP, HOSE 8	1	1	1					
55	1	104200-59170	GASKET, 12	2	2	2					
55-1	1	23414-120000	GASKET, 12X1.0	2	2	2					N
		(A=*1985.03) (B=*1985.03) (C=*1985.03)									
56	1	129495-59550	PIPE, FUEL RETURN	3	3	3					
56-1	1	129495-59551	PIPE, FUEL RETURN	3	3	3					S
		(A=*1985.03) (B=*1985.03) (C=*1985.03)									
57	1	129495-59560	PIPE, FUEL RETURN	1	1	1					
57-1	1	129495-59561	PIPE, FUEL L=190	1	1	1					S
		(A=*1985.03) (B=*1985.03) (C=*1985.03)									
58	1	129150-59580	CAP	1	1	1					
59	1	129100-59950	VALVE ASSY, CHECK	1	1	1					
59-1	1	129100-59951	VALVE ASSY, CHECK	1	1	1					S
		(A=*1985.03) (B=*1985.03) (C=*1985.03)									
60	1	129100-59990	JOINT	1	1	1					
60-1	1	101304-59020	JOINT, PIPE 12	1	1	1					S
		(A=*1987.06) (B=*1987.06) (C=*1987.06)									
61	1	23000-013000	CLAMP, 13	8	8	8					
62	1	129495-59300	BOLT, PIPE JOINT	1	1	1					W
		(A=*1985.03) (B=*1985.03) (C=*1985.03)									
63	1	23080-013000	CLAMP, 13	2	2	2					W
		(A=*1985.03) (B=*1985.03) (C=*1985.03)									
64	1	23414-140000	GASKET, 14X1.0	2	2	2					W
		(A=*1985.03) (B=*1985.03) (C=*1985.03)									
65	1	129470-59530	JOINT, PIPE	1	1	1					W
		(A=*1985.08) (B=*1985.08) (C=*1985.08)									
66	1	23414-080000	GASKET, 8X1.0	1	1	1					W
		(A=*1985.08) (B=*1985.08) (C=*1985.08)									
67	1	26106-080102	BOLT, M8X 10 PLATED	1	1	1					W
		(A=*1985.08) (B=*1985.08) (C=*1985.08)									
68	1	129470-59540	PIPE, FUEL	1	1	1					W
		(A=*1985.11) (B=*1985.11) (C=*1985.11)									

Remarks
(M)MISPRINT:REFER TO THE NEXT ITEM.

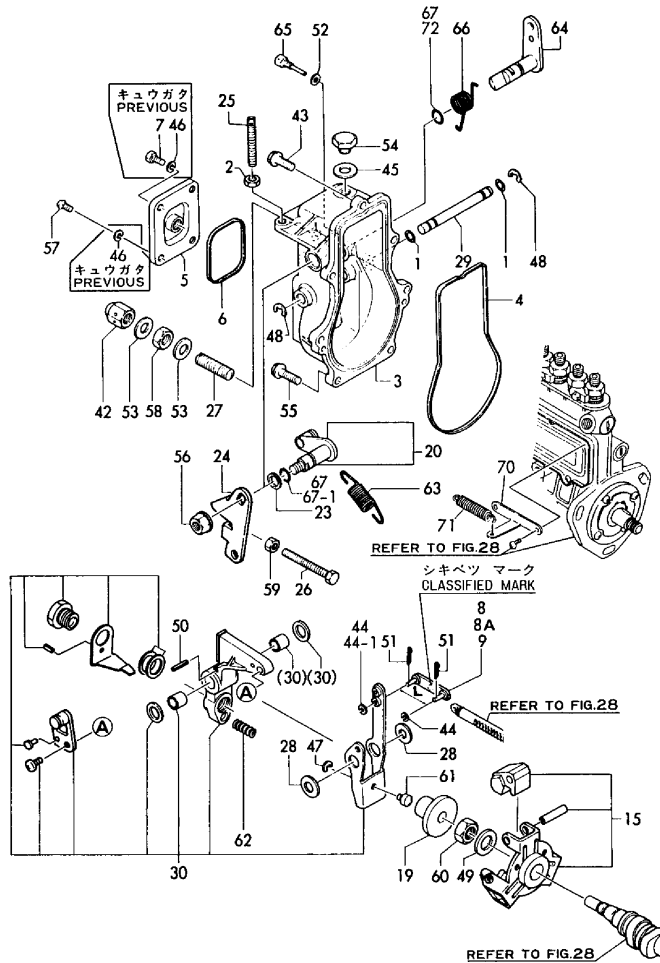
Fig.35. GOVERNOR

(A)=4JH
(B)=4JH-T
(C)=4JH-HT

(D)=
(E)=
(F)=

Fig. 35 ガバナ(4JH,-T) GOVERNOR

SPEC. CODE
D29495-61101
D29497-61101



No.	Lev.	Parts No.	Description	Q'ty						I	R
				(A)	(B)	(C)	(D)	(E)	(F)		
1	2	129155-51280	O-RING, S6	2	2						
2	2	124550-66370	NUT, M6	1	1						
3	2	129155-61010	CASE, GOVERNOR	1	1						
3-1	2	129155-61011	CASE, GOVERNOR	1	1						
		(A=*1988.10)	(B=*1988.10)								
4	2	129155-61050	GASKET	1	1						
5	2	129155-61060	COVER, GOVERNOR CASE	1	1						
6	2	129155-61070	GASKET	1	1						
7	2	129155-61090	BOLT	1	1						Z
		(A=EXXX)	(B=EXXX)								
8	2	129155-61120	LINK, L=30 MARK 0	1	1						1
8A	2	129155-61140	LINK, L=30.5 MARK 05	1	1						W 1
		(A=FROM 1ST)	(B=FROM 1ST)								
9	2	129155-61130	LINK, L=31 MARK 1	1	1						1
15	2	129155-61201	WEIGHT ASSY,GOVERNOR	1	1						
15-1	2	129595-61200	WEIGHT ASSY,GOVERNOR	1	1						N
		(A=*1988.04)	(B=*1988.04)								
19	2	129155-61341	SLEEVE	1	1						
20	2	129155-61400	SHAFT ASSY	1	1						
20-1	2	129100-61400	SHAFT ASSY	1	1						S
		(A=EXXX)	(B=EXXX)								
23	2	129155-61430	SPACER	1	1						
24	2	129155-61441	LEVER, CONTROL	1	1						
24-1	2	129499-61440	LEVER, CONTROL	1	1						R
		(A=*1985.01)	(B=*1985.01)								
25	2	129155-61450	BOLT, LIMITER	1	1						
26	2	129155-61460	BOLT, IDLE	1	1						
27	2	129155-61470	BOLT, CONTROL	1	1						
27-1	2	129497-61450	LIMITER ASSY, FUEL	1	1						R
		(A=*1987.03)	(B=*1987.02)								
28	2	129155-61480	SPACER ASSY	2	2						
29	2	129155-61490	SHAFT	1	1						
30	2	129499-61500	LEVER ASSY, GOVERNOR	1	1						
42	2	129100-61930	NUT, CAP	1	1						
43	2	129155-61950	BOLT	1	1						
44	2	22117-040000	WASHER, 4	2	2						
44-1	2	22117-040000	WASHER, 4	1	1						K
		(A=EXXX)	(B=EXXX)	(C=EXXX)							
45	2	22190-100000	WASHER, SEAL 10	2	2						
45-1	2	22190-100000	WASHER, SEAL 10	1	1						K
		(A=EXXX)	(B=EXXX)								
45-2	2	43400-500430	SEAL WASHER 10S		1						R
		(B=EXXX)									
46	2	22217-050000	WASHER, SPRING 5	4	4						Z
		(A=EXXX)	(B=EXXX)								
47	2	22272-000040	RING, E- 4	1	1						
48	2	22272-000060	RING, E- 6	2	2						
49	2	22282-120000	WASHER 12	1	1						
49-1	2	22287-120000	WASHER, 12	1	1						R
		(A=EXXX)	(B=EXXX)								
50	2	22351-030016	PIN, SPRING 3.0X16	1	1						

Remarks
1) SELECTIVE PARTS : CERTAIN THE CLASSIFICATION MARK , THEN PLACE YOUR ORDER.(REFER TO ILLUSTRATION)

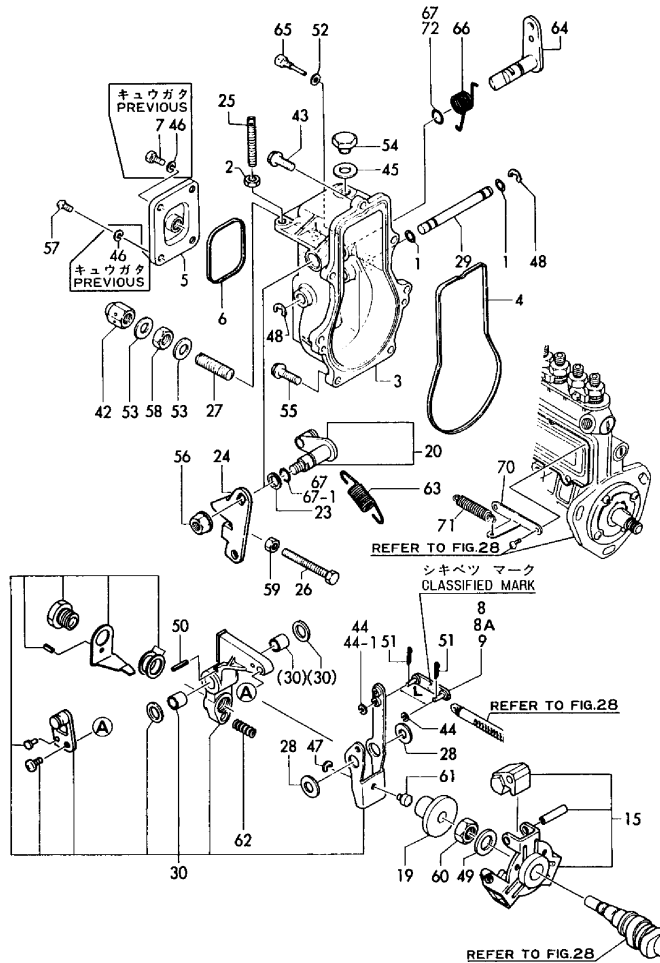
Fig.35. GOVERNOR

(A)=4JH
(B)=4JH-T
(C)=4JH-HT

(D)=
(E)=
(F)=

Fig. 35 ガバナ(4JH,-T)
GOVERNOR

SPEC. CODE
D29495-61101
D29497-61101



No.	Lev.	Parts No.	Description	Q'ty						I	R
				(A)	(B)	(C)	(D)	(E)	(F)		
51	2	22360-050000	SNAP PIN 5	2	2						
52	2	23414-050000	GASKET, 5X1.0	1	1						
53	2	43400-500450	SEAL WASHER 12S	2	2						
54	2	23887-100002	PLUG, 10	1	1						
55	2	26106-060202	BOLT, M6X 20 PLATED	6	6						
56	2	26366-080002	NUT, M8	1	1						
57	2	26557-050102	SCREW, M5X10	3	3						
57-1	2	26557-050102	SCREW, M5X10	4	4						K
		(A=EXXX) (B=EXXX)									
58	2	26777-120002	NUT, LOCK M12	1	1						
59	2	26756-060002	NUT, LOCK M6	2	2						
60	2	26777-120002	NUT, LOCK M12	1	1						
61	2	129155-61540	SHIFTER	1	1						
62	2	129470-61650	SPRING, FUEL CONTROL	1	1						
63	2	129100-61730	SPRING, GOVERNOR	1	1						
64	2	129470-61800	LEVER, STOP	1	1						
64-1	2	129470-61801	LEVER, STOP	1	1						S
		(A=*1988.10) (B=*1988.10)									
65	2	129155-61810	PIN	1	1						
66	2	129155-61820	SPRING, RETURN	1	1						
66-1	2	129100-61821	SPRING, RETURN	1	1						S
		(A=*1988.10) (B=*1988.10)									
67	2	129155-61830	O-RING, S10	3	3						
67-1	2	129155-61830	O-RING, S10	1	1						K
		(A=*1988.10) (B=*1988.10)									
70	2	129499-61890	HOOK	1	1						W
		(A=*1985.01) (B=*1985.01)									
71	2	104104-67300	SPRING, RETURN	1	1						W
		(A=*1985.01) (B=*1985.01)									
72	2	24311-240100	O-RING, 1AP10A	1	1						W
		(A=*1988.10) (B=*1988.10)									

Remarks

1) SELECTIVE PARTS : CERTAIN THE CLASSIFICATION MARK , THEN PLACE YOUR ORDER.(REFER TO ILLUSTRATION)

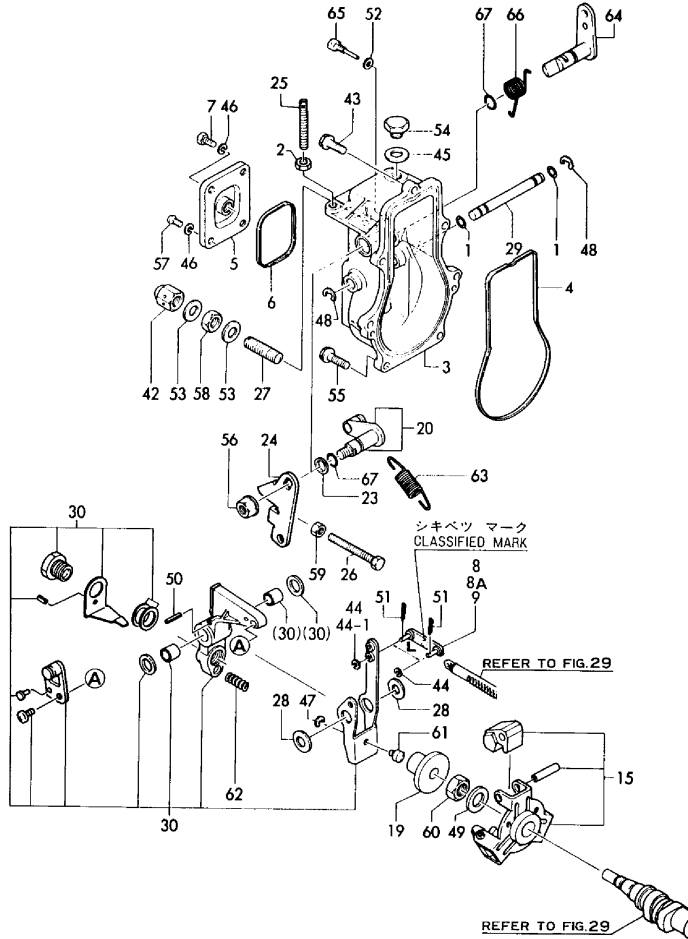
Fig.36. GOVERNOR(NOT BOOST COMPEMSATOR

(A)=4JH
(B)=4JH-T
(C)=4JH-HT

(D)=
(E)=
(F)=

Fig.36 ガバナ(4JH-HT)
GOVERNOR

(FROM E/#00001) (ブーコンナシタイプ)
(TO E/#01282) (NOT. BOOST COMPEMSATOR TYPE)



No.	Lev.	Parts No.	Description	Q'ty						I	R
				(A)	(B)	(C)	(D)	(E)	(F)		
1	2	129155-51280	O-RING, S6			2					
2	2	124550-66370	NUT, M6			1					
3	2	129155-61010	CASE, GOVERNOR			1					
4	2	129155-61050	GASKET			1					
5	2	129155-61060	COVER, GOVERNOR CASE			1					
6	2	129155-61070	GASKET			1					
7	2	129155-61090	BOLT			1					
8	2	129155-61120	LINK, L=30 MARK 0			1					1
8A	2	129155-61140	LINK, L=30.5 MARK 05			1					W 1
			(C=FROM 1ST)								
9	2	129155-61130	LINK, L=31 MARK 1			1					1
15	2	129155-61201	WEIGHT ASSY, GOVERNOR			1					
19	2	129155-61341	SLEEVE			1					
20	2	129155-61400	SHAFT ASSY			1					
23	2	129155-61430	SPACER			1					
24	2	129155-61441	LEVER, CONTROL			1					
24-1	2	129499-61440	LEVER, CONTROL			1					R
			(C=*1985.01)								
25	2	129155-61450	BOLT, LIMITER			1					
26	2	129155-61460	BOLT, IDLE			1					
27	2	129155-61470	BOLT, CONTROL			1					
28	2	129155-61480	SPACER ASSY			2					
29	2	129155-61490	SHAFT			1					
30	2	129499-61500	LEVER ASSY, GOVERNOR			1					
42	2	129100-61930	NUT, CAP			1					
43	2	129155-61950	BOLT			1					
44	2	22117-040000	WASHER, 4			2					
44-1	2	22117-040000	WASHER, 4			1					K
			(C=EXXX)								
45	2	22190-100000	WASHER, SEAL 10			2					
46	2	22217-050000	WASHER, SPRING 5			4					
47	2	22272-000040	RING, E- 4			1					
48	2	22272-000060	RING, E- 6			2					
49	2	22282-120000	WASHER 12			1					
50	2	22351-030016	PIN, SPRING 3.0X16			1					
51	2	22360-050000	SNAP PIN 5			2					
52	2	23414-050000	GASKET, 5X1.0			1					
53	2	43400-500450	SEAL WASHER 12S			2					
54	2	23887-100002	PLUG, 10			1					
55	2	26106-060202	BOLT, M6X 20 PLATED			6					
56	2	26366-080002	NUT, M8			1					
57	2	26557-050102	SCREW, M5X10			3					
58	2	26777-120002	NUT, LOCK M12			1					
59	2	26756-060002	NUT, LOCK M6			2					
60	2	26777-120002	NUT, LOCK M12			1					
61	2	129155-61540	SHIFTER			1					
62	2	129470-61650	SPRING, FUEL CONTROL			1					
63	2	129100-61730	SPRING, GOVERNOR			1					
64	2	129470-61800	LEVER, STOP			1					
65	2	129155-61810	PIN			1					
66	2	129155-61820	SPRING, RETURN			1					

Remarks

1) SELECTIVE PARTS : CERTAIN THE CLASSIFICATION MARK , THEN PLACE YOUR ORDER.(REFER TO ILLUSTRATION)

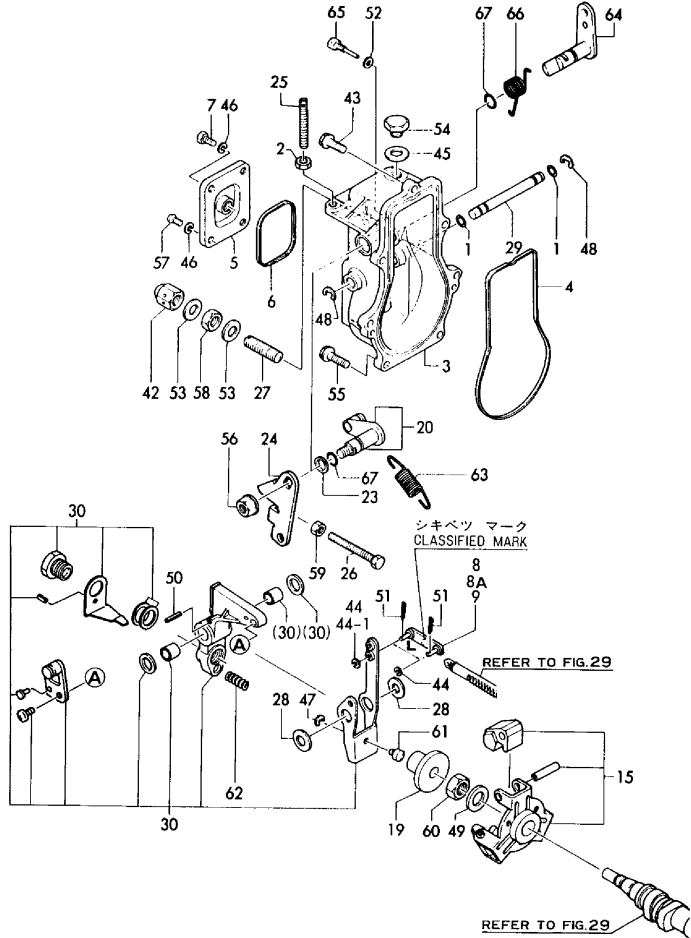
Fig.36. GOVERNOR(NOT BOOST COMPEMSATOR

(A)=4JH
(B)=4JH-T
(C)=4JH-HT

(D)=
(E)=
(F)=

Fig.36 ガバナ(4JH-HT)
GOVERNOR

(FROM E/#00001) (ブーコンナシタイプ)
(TO E/#01282) (NOT. BOOST COMPEMSATOR TYPE)



No.	Lev.	Parts No.	Description	Qty						I	R	
				(A)	(B)	(C)	(D)	(E)	(F)			
67	2	129155-61830	O-RING, S10			2						

Remarks
1) SELECTIVE PARTS : CERTAIN THE CLASSIFICATION MARK , THEN PLACE YOUR ORDER.(REFER TO ILLUSTRATION)

Fig.37. GOVERNOR(FOR B00ST COMPEMSATOR

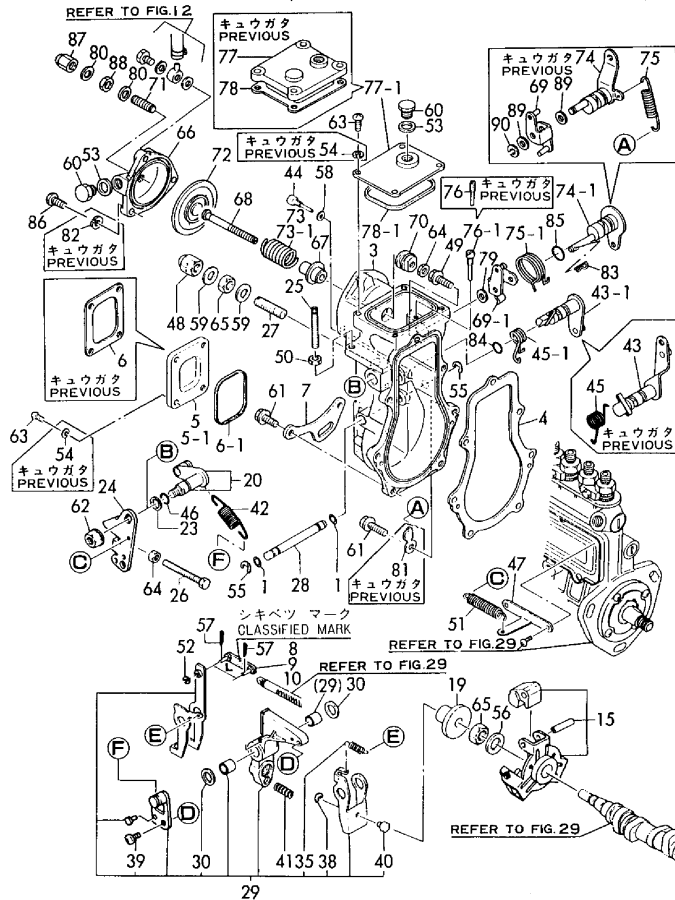
(A)=4JH
(B)=4JH-T
(C)=4JH-HT

(D)=
(E)=
(F)=

Fig. 37 ガバナ(4JH-HT)
GOVERNOR

SPEC. CODE
D29499-61200

(FROM E/#01283) (ブーコンツキタイプ)
BOOST COMPEMSATOR TYPE)



No.	Lev.	Parts No.	Description	Q'ty						I	R
				(A)	(B)	(C)	(D)	(E)	(F)		
1	1	129155-51280	O-RING, S6			2					
3	1	129595-61010	CASE, GOVERNOR			1					
3-1	1	129595-61011	CASE, GOVERNOR			1					S
3-2	1	129595-61012	HOUSING, GOVERNOR (C=*1987.07) (C=*1988.12)			1					S
4	1	129595-61050	GASKET			1					
5	1	129595-61060	COVER, GOVERNOR CASE			1					
5-1	1	129155-61060	COVER, GOVERNOR CASE (C=*1987.07)			1					S
6	1	129595-61070	GASKET			1					
6-1	1	129155-61070	GASKET (C=*1987.07)			1					S
7	1	129595-61080	SUPPORT (C=*1987.05)			1					W
8	1	129155-61120	LINK, L=30 MARK 0			1					1
9	1	129155-61130	LINK, L=31 MARK 1			1					1
10	1	129155-61140	LINK, L=30.5 MARK 05			1					1
15	1	129155-61201	WEIGHT ASSY, GOVERNOR			1					
15-1	1	129595-61200	WEIGHT ASSY, GOVERNOR (C=*1988.02)			1					N
19	1	129155-61341	SLEEVE			1					
20	1	129100-61400	SHAFT ASSY			1					
23	1	129155-61430	SPACER			1					
24	1	129499-61440	LEVER, CONTROL			1					
25	1	129155-61450	BOLT, LIMITER			1					
26	1	129155-61460	BOLT, IDLE			1					
27	1	129155-61470	BOLT, CONTROL			1					
28	1	129155-61490	SHAFT			1					
29	1	129595-61500	LEVER ASSY, GOVERNOR			1					
30	2	174307-51700	SHIM SET			2					
35	2	119843-61540	SPRING, SET			1					
38	2	22272-000040	RING, E- 4			1					
39	2	26022-060122	SCREW, M6X12			1					
40	2	129155-61540	SHIFTER			1					
41	1	129499-61650	SPRING, FUEL CONTROL			1					
42	1	129100-61730	SPRING, GOVERNOR			1					
43	1	129595-61800	LEVER, STOP			1					
43-1	1	129595-61801	LEVER, STOP (C=*1987.07)			1					S
43-2	1	129595-61802	SHAFT, STOP LEVER (C=*1988.12)			1					S
44	1	129155-61810	PIN			1					
45	1	129100-61820	SPRING, RETURN			1					
45-1	1	129595-61820	SPRING, RETURN (C=*1987.07)			1					S
45-2	1	129595-61821	SPRING, RETURN (C=*1988.12)			1					S
46	1	129155-61830	O-RING, S10			1					
47	1	129499-61890	HOOK			1					
48	1	129100-61930	NUT, CAP			1					

Remarks

1) SELECTIVE PARTS : CERTAIN THE CLASSIFICATION MARK, THEN PLACE YOUR ORDER.(REFER TO ILLUSTRATION)

Fig.37. GOVERNOR(FOR B00ST COMPEMSATOR

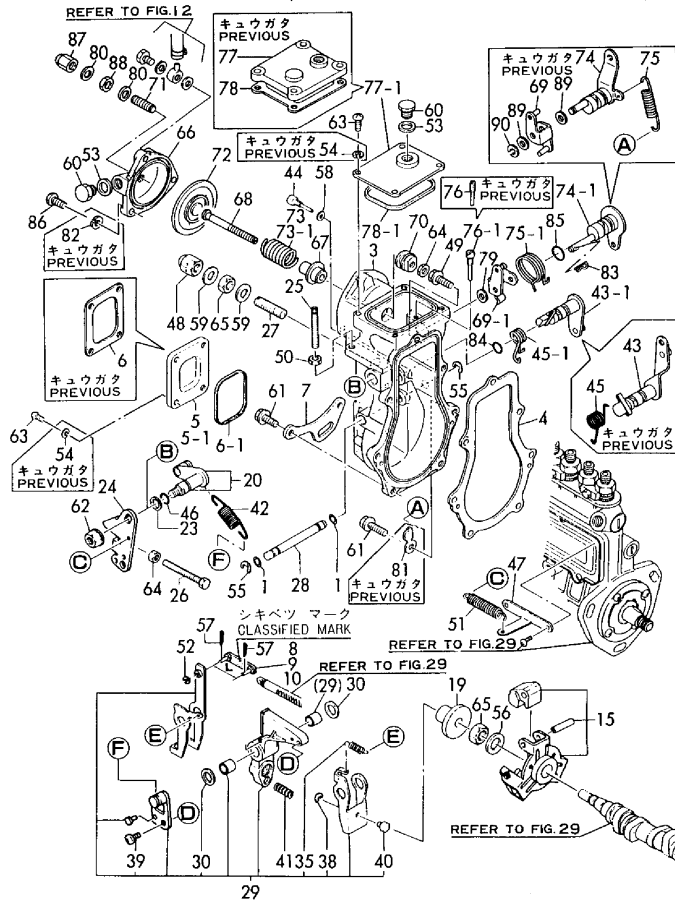
(A)=4JH
(B)=4JH-T
(C)=4JH-HT

(D)=
(E)=
(F)=

Fig. 37 ガバナ(4JH-HT)
GOVERNOR

SPEC. CODE
D29499-61200

(FROM E/#01283) (ブーコンツキタイプ)
BOOST COMPEMSATOR TYPE)



No.	Lev.	Parts No.	Description	Q'ty						I	R
				(A)	(B)	(C)	(D)	(E)	(F)		
49	1	26106-060182	BOLT, M6X 18 PLATED			1					
50	1	124550-66370	NUT, M6			1					
51	1	104104-67300	SPRING, RETURN			1					
52	1	22117-040000	WASHER, 4			1					
53	1	22190-100000	WASHER, SEAL 10			2					
53-1	1	43400-500430	SEAL WASHER 10S			2					R
54	1	22217-050000	WASHER, SPRING 5 (C=*EXXX)			8					Z
55	1	22272-000060	RING, E- 6			2					
56	1	22287-120000	WASHER, 12			1					
57	1	22360-050000	SNAP PIN 5			2					
57-1	1	22360-040000	PIN, SNAP 4 (C=*EXXX)			2					N
58	1	23414-050000	GASKET, 5X1.0			1					
58-1	1	43400-500390	SEAL WASHER 6S (C=*EXXX)			1					N
59	1	43400-500450	SEAL WASHER 12S			2					
60	1	23887-100002	PLUG, 10			2					
61	1	26106-060202	BOLT, M6X 20 PLATED			6					
62	1	26366-080002	NUT, M8			1					
63	1	26557-050102	SCREW, M5X10			8					
63-1	1	26022-050102	SCREW, M5X10 (C=*EXXX)			8					N
64	1	26756-060002	NUT, LOCK M6			2					
65	1	26776-120002	NUT, LOCK M12			2					
66	1	129595-61600	CASE			1					
67	1	129595-61610	BUSH			1					
68	1	129595-61620	ROD, SLIDER			1					
69	1	129595-61630	LEVER, SETTING			1					
69-1	1	129595-61631	LEVER, SETTING (C=*1987.07)			1					S
70	1	129595-61660	RING			1					
71	1	129595-61670	BOLT, ADJUSTER			1					
72	1	129595-61680	DIAPHRAGM			1					
73	1	129595-61690	SPRING, DIAPHRAGM			1					
73-1	1	129595-61691	SPRING, DIAPHRAGM (C=*1987.07)			1					S
74	1	129595-61900	LEVER			1					
74-1	1	129595-61901	LEVER (C=*1987.07)			1					S
75	1	129595-61910	SPRING, SET			1					
75-1	1	129595-61911	SPRING, SET (C=*1987.07)			1					S
76	1	124250-03640	SCREW			1					
76-1	1	129595-61931	PIN (C=*1987.07)			1					S
77	1	129595-61950	COVER			1					
77-1	1	129595-61951	COVER (C=*1987.07)			1					S
78	1	129595-61960	GASKET			1					

Remarks
1) SELECTIVE PARTS : CERTAIN THE CLASSIFICATION MARK, THEN PLACE YOUR ORDER.(REFER TO ILLUSTRATION)

Fig.37. GOVERNOR(FOR B00ST COMPENSATOR)

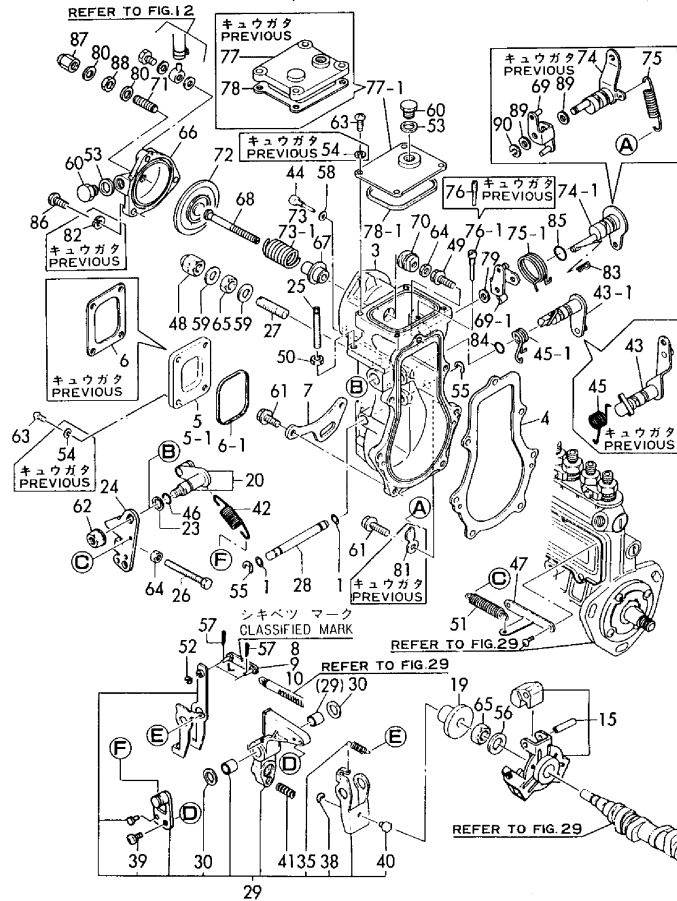
(A)=4JH
(B)=4JH-T
(C)=4JH-HT

(D)=
(E)=
(F)=

Fig. 37 ガバナ(4JH-HT)
GOVERNOR

SPEC. CODE
D29499-61200

(FROM E/#01283) (ブーコンツキタイプ)
BOOST COMPENSATOR TYPE



No.	Lev.	Parts No.	Description	Q'ty						I	R
				(A)	(B)	(C)	(D)	(E)	(F)		
78-1	1	129595-61961	GASKET (C=*1987.07)			1					S
79	1	22117-060000	WASHER, 6 (C=*1987.07)			1					W
80	1	22190-080000	WASHER, SEAL 8 (C=*1987.07)			2					
81	1	129595-61920	HOOK (C=*1987.07)			1					Z
82	1	22287-060000	WASHER 6 (C=*1990.07)			3					Z
83	1	22372-060000	PIN, SNAP 6 (C=*1987.07)			1					W
84	1	24311-000080	O-RING, 1AP8.0			1					S
84-1	1	24311-240100	O-RING, 1AP10A (C=*1988.12)			1					
85	1	24311-000110	O-RING, 1AP11.0			1					
86	1	26557-060162	SCREW M 6X 16			3					
86-1	1	26106-060162	BOLT, M6X 16 PLATED (C=*1990.07)			3					N
87	1	26667-080002	NUT, CAP M8			1					
88	1	26756-080002	NUT, LOCK M8			1					
89	1	129595-61640	WASHER (C=*1987.07)			2					Z
90	1	22272-000060	RING, E- 6 (C=*1987.07)			1					Z

Remarks

1) SELECTIVE PARTS : CERTAIN THE CLASSIFICATION MARK, THEN PLACE YOUR ORDER.(REFER TO ILLUSTRATION)

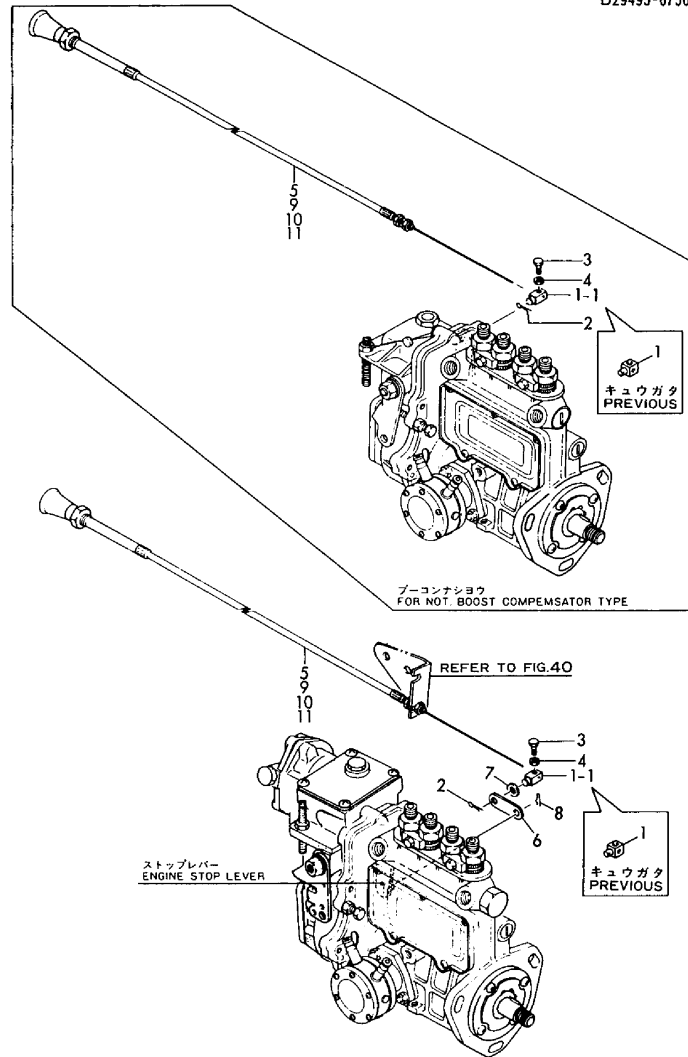
Fig.38. ENGINE STOP DEVICE

(A)=4JH
(B)=4JH-T
(C)=4JH-HT

(D)=
(E)=
(F)=

Fig.38 キカンテイシソウチ
ENGINE STOP DEVICE

SPEC. CODE
D29495-66200
D29590-66200
D29470-67500
D29470-67510
D29495-67500



No.	Lev.	Parts No.	Description	Q'ty						I	R
				(A)	(B)	(C)	(D)	(E)	(F)		
1	1	129795-67310	RETAINER	1	1	1					
1-1	1	129590-67310	RETAINER	1	1	1					R
				(A=*1987.06)		(B=*1987.06)		(C=*1987.06)			
2	1	22414-250150	PIN, COTTER 2.5X15	1	1	1					
3	1	26116-050142	BOLT, M5X 14 PLATED	1	1	1					
4	1	26756-050002	NUT, LOCK M5	1	1	1					
5	1	129495-66550	CABLE, STOP L=500	1	1	1					
6	1	119867-66910	LINK			1					W
				(C=*1987.06)							
7	1	22117-080000	WASHER, 8			1					W
				(C=*1987.06)							
8	1	22360-080000	SNAP PIN 8			1					W
				(C=*1987.06)							
9	1	129470-67550	CABLE, STOP L=4000	1	1	1					1
10	1	129495-67550	CABLE, STOP L=2000	1	1	1					1
11	1	129470-67560	CABLE, STOP L=7000	1	1	1					1

Remarks
(1) OPTIONAL PART.

Fig.39. COLD START DEVICE

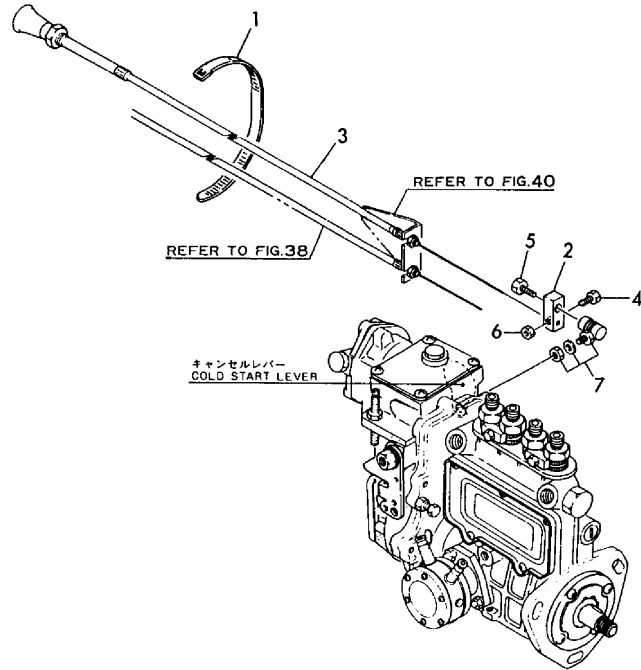
(A)=4JH
(B)=4JH-T
(C)=4JH-HT

(D)=
(E)=
(F)=

Fig. **39** キャンセルケーブル
COLD START DEVICE

SPEC. CODE
D29590-67401

(ブーコンツキタイプ
BOOST COMPEMSATOR TYPE)



No.	Lev.	Parts No.	Description	Q'ty						I	R
				(A)	(B)	(C)	(D)	(E)	(F)		
1	1	121750-59890	BAND, 140			1					
2	1	129595-67310	RETAINER			1					
3	1	129590-67420	CABLE, L=500			1					
4	1	26116-050142	BOLT, M5X 14 PLATED			1					
5	1	26116-050202	BOLT, M5X 20 PLATED			1					
6	1	26756-050002	NUT, LOCK M5			1					
7	1	41710-001300	JOINT, BALL			1					

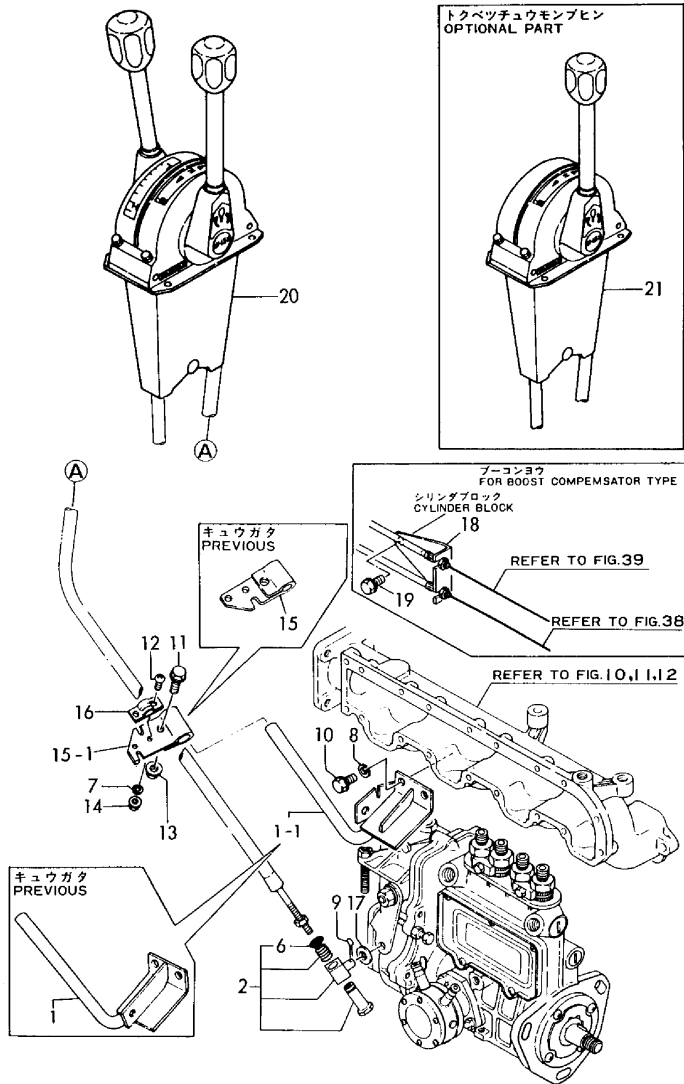
Fig.40. REMOTE CONTROL DEVICE

(A)=4JH
(B)=4JH-T
(C)=4JH-HT

(D)=
(E)=
(F)=

Fig. 40 リモコンソウチ
REMOTE CONTROL DEVICE

SPEC. CODE
D29405-67201
D29590-67201
D22730-67200
D77057-06060



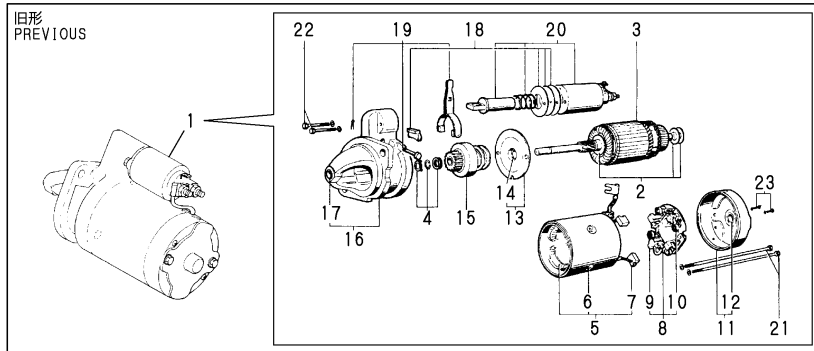
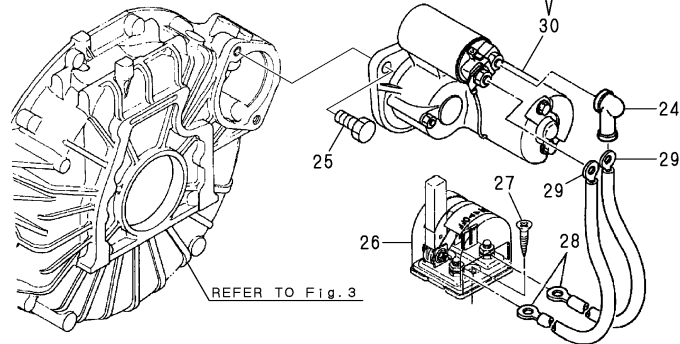
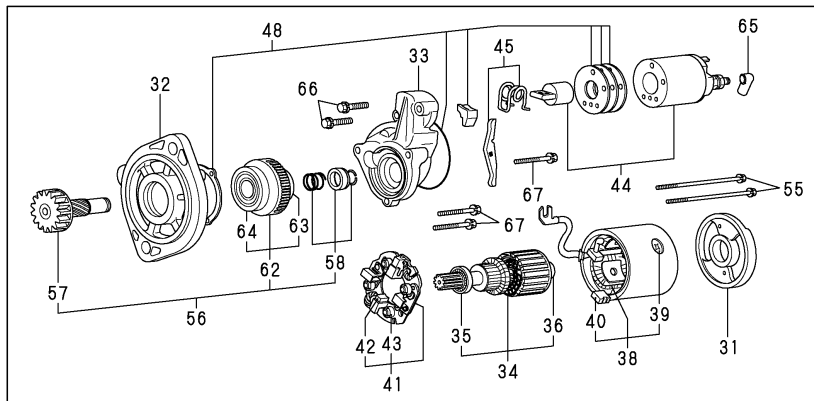
No.	Lev.	Parts No.	Description	Qty						I	R
				(A)	(B)	(C)	(D)	(E)	(F)		
1	1	129470-67100	BRACKET, GOVERNOR	1	1	1					
1-1	1	129590-67101	BRACKET, GOVERNOR	1	1	1					S
		(A=*1988.05)	(B=*1988.05)	(C=*1988.05)							
2	1	129795-67200	RETAINER ASSY	1	1	1					
2-1	1	129470-67200	RETAINER ASSY	1	1	1					N
		(A=*1986.05)	(B=*1986.05)	(C=*1986.05)							
6	2	22242-000100	RING, 10	1	1	1					
7	1	22217-050000	WASHER, SPRING 5	2	2	2					
8	1	22217-080000	WASHER, SPRING 8	2	2	2					
9	1	22414-250150	PIN, COTTER 2.5X15	1	1	1					
10	1	26106-080122	BOLT, M8X 12 PLATED	2	2	2					
11	1	26106-080252	BOLT, M8X 25 PLATED	1	1	1					
12	1	26557-050122	SCREW, M5X12	2	2	2					
13	1	26366-080002	NUT, M8	1	1	1					
14	1	26716-050002	NUT, M5	2	2	2					
15	1	129795-67110	BRACKET, CABLE	1	1	1					
15-1	1	129590-67110	BRACKET, CABLE	1	1	1					R
		(A=*1990.02)	(B=*1990.02)	(C=*1990.02)							
16	1	41710-000410	CLAMP	1	1	1					
17	1	23414-080000	GASKET, 8X1.0	1	1	1					
18	1	129590-67140	BRACKET			1					W
			(C=*1987.06)								
19	1	26106-080122	BOLT, M8X 12 PLATED			2					W
			(C=*1987.06)								
20	1	41730-501420	HEAD, REMOTE-CONT.	1	1	1					
20-1	1	41730-501421	HEAD, REMOTE-CONT.	1	1	1					S
		(A=*1988.07)	(B=*1988.07)	(C=*1988.07)							
21	1	41730-501500	HEAD, CONTROL	1	1	1					W 1
		(A=*1985.06)	(B=*1985.06)	(C=*1985.06)							

Remarks
(1) OPTIONAL PART.

Fig.41. STARTING MOTOR

P/C NEWS No.:Y00F2441-10
PUBLISHED:2003/6

Fig.41 スターティングモータ
STARTING MOTOR



(A)=4JH
(B)=4JH-T
(C)=4JH-HT

(D)=
(E)=
(F)=

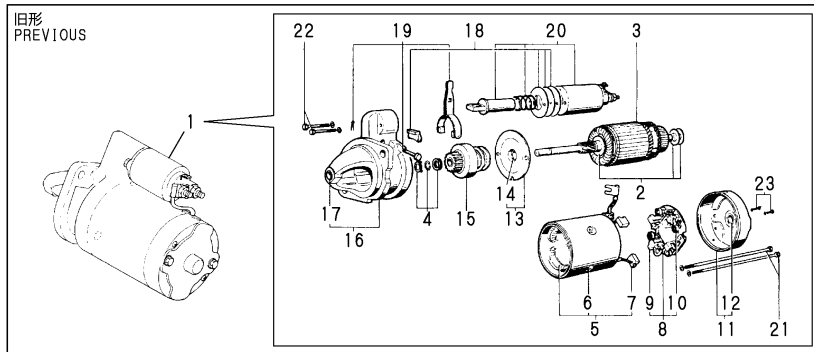
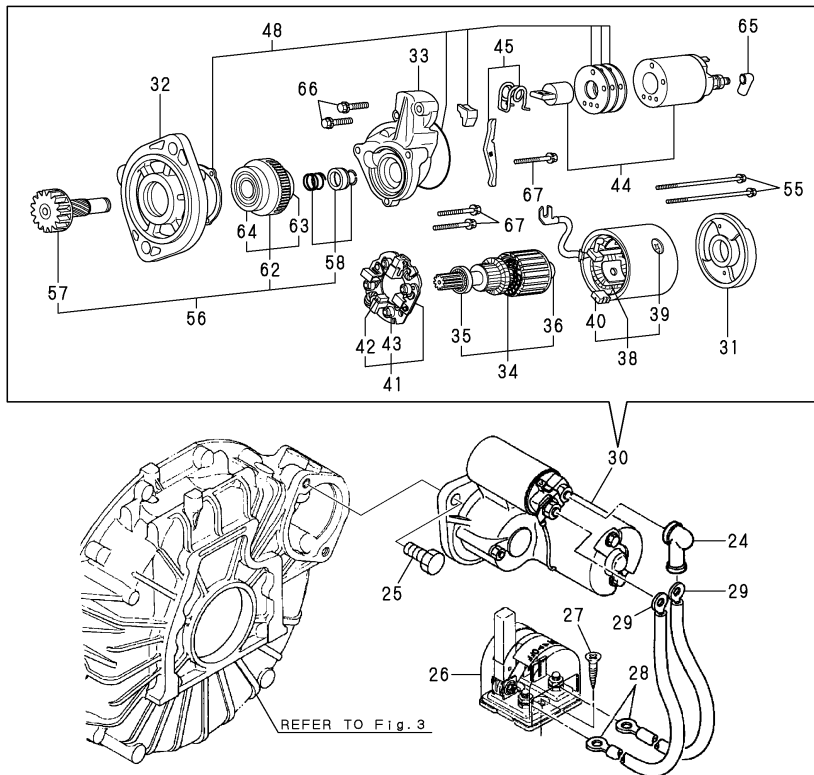
No.	Lev.	Parts No.	Description	Qty						I	R
				(A)	(B)	(C)	(D)	(E)	(F)		
1	1	124250-77012	STARTER, S12-77A (A=*1991.10) (B=*1991.10) (C=*1991.10)	1	1	1					Z
2	2	X21201115	WASHER SET, THRUST	1	1	1					
2-1	2	124250-77510	WASHER KIT (A=*1986.02) (B=*1986.02) (C=*1986.02)	1	1	1					R
3	2	X21207100	ARMATURE ASSY	1	1	1					
3-1	2	124250-77020	BRUSH, + (A=*1986.02) (B=*1986.02) (C=*1986.02)	1	1	1					R
4	2	X21201110	STOPPER SET	1	1	1					
4-1	2	124250-77070	STOPPER SET, PINION (A=*1986.02) (B=*1986.02) (C=*1986.02)	1	1	1					R
5	2	X21204259	COIL ASSY	1	1	1					
5-1	2	124250-77110	COIL ASSY, FIELD (A=*1986.02) (B=*1986.02) (C=*1986.02)	1	1	1					R
6	3	X21142215	SCREW	4	4	4					
6-1	3	124250-77120	SCREW SET, PORE CORE (A=*1986.02) (B=*1986.02) (C=*1986.02)	4	4	4					R
7	3	X21209311	BRUSH (+)	2	2	2					
7-1	3	124250-77130	BRUSH (+) (A=*1986.02) (B=*1986.02) (C=*1986.02)	2	2	2					R
8	2	X21205310	HOLDER ASSY, BRUSH	1	1	1					
8-1	2	124250-77160	HOLDER ASSY, BRUSH (A=*1986.02) (B=*1986.02) (C=*1986.02)	1	1	1					R
9	3	X21207312	BRUSH (-)	2	2	2					
9-1	3	124250-77170	BRUSH (-) (A=*1986.02) (B=*1986.02) (C=*1986.02)	2	2	2					R
10	3	X21201313	SPRING, BRUSH	4	4	4					
10-1	3	124250-77180	SPRING, BRUSH (A=*1986.02) (B=*1986.02) (C=*1986.02)	4	4	4					R
11	2	X212063001	REAR COVER ASSY	1	1	1					
11-1	2	124250-77140	COVER ASSY, REAR (A=*1986.02) (B=*1986.02) (C=*1986.02)	1	1	1					R
12	3	X21204302	METAL, COVER BEARING	1	1	1					
12-1	3	124250-77150	METAL, REAR COVER (A=*1986.02) (B=*1986.02) (C=*1986.02)	1	1	1					R
13	2	X21205400	BEARING ASSY	1	1	1					
13-1	2	124250-77190	BEARING ASSY, CENTER (A=*1986.02) (B=*1986.02) (C=*1986.02)	1	1	1					R
14	3	X21204401	METAL, CENTER BERG.	1	1	1					
14-1	3	124250-77520	BEARING (A=*1986.02) (B=*1986.02) (C=*1986.02)	1	1	1					R
15	2	X213065002	PINION ASSY	1	1	1					
15-1	2	124250-77210	PINION ASSY (A=*1986.02) (B=*1986.02) (C=*1986.02)	1	1	1					R
16	2	X212026004	CASE ASSY, GEAR	1	1	1					
16-1	2	124250-77220	CASE ASSY, GEAR (A=*1986.02) (B=*1986.02) (C=*1986.02)	1	1	1					R
17	3	X21202601	METAL, GEAR CASE	1	1	1					
17-1	3	124250-77230	METAL, GEAR CASE (A=*1986.02) (B=*1986.02) (C=*1986.02)	1	1	1					R
18	2	X21202602	COVER SET	1	1	1					

Remarks
(1)INTERCHANGEABLE BY SIMULTANEOUS
REPLACEMENT WITH FIG.43
REF.NO.2-1.

Fig.41. STARTING MOTOR

P/C NEWS No.:Y00F2441-10
PUBLISHED:2003/6

Fig.41 スターティングモータ
STARTING MOTOR



Remarks
(1)INTERCHANGEABLE BY SIMULTANEOUS
REPLACEMENT WITH FIG.43
REF.NO.2-1.

(A)=4JH
(B)=4JH-T
(C)=4JH-HT

(D)=
(E)=
(F)=

No.	Lev.	Parts No.	Description	Q'ty						I	R
				(A)	(B)	(C)	(D)	(E)	(F)		
18-1	2	124250-77240	COVER SET, DUST	1	1	1					R
		(A=*1986.02)	(B=*1986.02)	(C=*1986.02)							
19	2	X21201605	LEVER SET	1	1	1					
19-1	2	124250-77270	LEVER SET, SHIFT	1	1	1					R
		(A=*1986.02)	(B=*1986.02)	(C=*1986.02)							
20	2	X212037002	SWITCH, MAGNETIC	1	1	1					
20-1	2	124250-77310	SWITCH, MAGNETIC	1	1	1					R
		(A=*1986.02)	(B=*1986.02)	(C=*1986.02)							
21	2	X21204810	BOLT, THROUGH	2	2	2					
21-1	2	124250-77320	BOLT, THROUGH	2	2	2					R
		(A=*1986.02)	(B=*1986.02)	(C=*1986.02)							
22	2	X21145866	BOLT	2	2	2					
22-1	2	26106-060322	BOLT, M6X 32 PLATED	2	2	2					R
		(A=*1986.02)	(B=*1986.02)	(C=*1986.02)							
23	2	X0630412	BOLT M 4X 12	2	2	2					
23-1	2	124250-77540	SCREW, M4X12	2	2	2					R
		(A=*1986.02)	(B=*1986.02)	(C=*1986.02)							
24	1	124550-77030	COVER, TERMINAL	1	1	1					
25	1	26116-120302	BOLT, M12X 30 PLATED	2	2	2					
26	1	123310-77640	SWITCH, BATTERY	1	1	1					
27	1	22724-800380	SCREW, 8.0X38	2	2	2					
28	1	123325-77930	TERMINAL	2	2	2					
29	1	123325-77920	TERMINAL	2	2	2					W
		(A=*1988.07)	(B=*1988.07)	(C=*1988.07)							
30	1	171008-77010	STARTER, S114-483	1	1	1					W 1
		(A=*1991.10)	(B=*1991.10)	(C=*1991.10)							
31	2	171008-77500	COVER, REAR	1	1	1					
32	2	171008-77510	CASE, GEAR	1	1	1					
33	2	171008-77520	HOUSING, CENTER	1	1	1					
34	2	171008-77400	ARMATURE ASSY	1	1	1					
35	3	X2114255110	BEARING, BALL	1	1	1					
36	3	X2130350900	BEARING, BALL	1	1	1					
38	2	171008-77440	COIL ASSY, FIELD	1	1	1					
39	3	171008-77450	SCREW	4	4	4					
40	3	171008-77460	BRUSH (+)	2	2	2					
41	2	171008-77470	HOLDER ASSY, BRUSH	1	1	1					
42	3	171008-77480	BRUSH (-)	2	2	2					
43	3	171008-77490	SPRING, BRUSH	4	4	4					
44	2	171008-77531	MAGNETIC SWITCH ASSY	1	1	1					
45	2	171008-77540	LEVER SET	1	1	1					
48	2	171008-77571	COVER KIT, DUST	1	1	1					
55	2	171008-77640	BOLT, THROUGH	2	2	2					
56	2	171008-77650	PINION ASSY	1	1	1					
57	3	171008-77660	SHAFT	1	1	1					
58	3	171008-77670	STOPPER SET	1	1	1					
62	3	X2114555500	CLUTCH ASSY	1	1	1					
63	4	X2114955020	BEARING, BALL	1	1	1					
64	4	X2240410100	BEARING, BALL	1	1	1					
65	2	171008-77750	COVER	1	1	1					
66	2	26106-060322	BOLT, M6X 32 PLATED	2	2	2					
67	2	26106-060402	BOLT, M6X 40 PLATED	3	3	3					

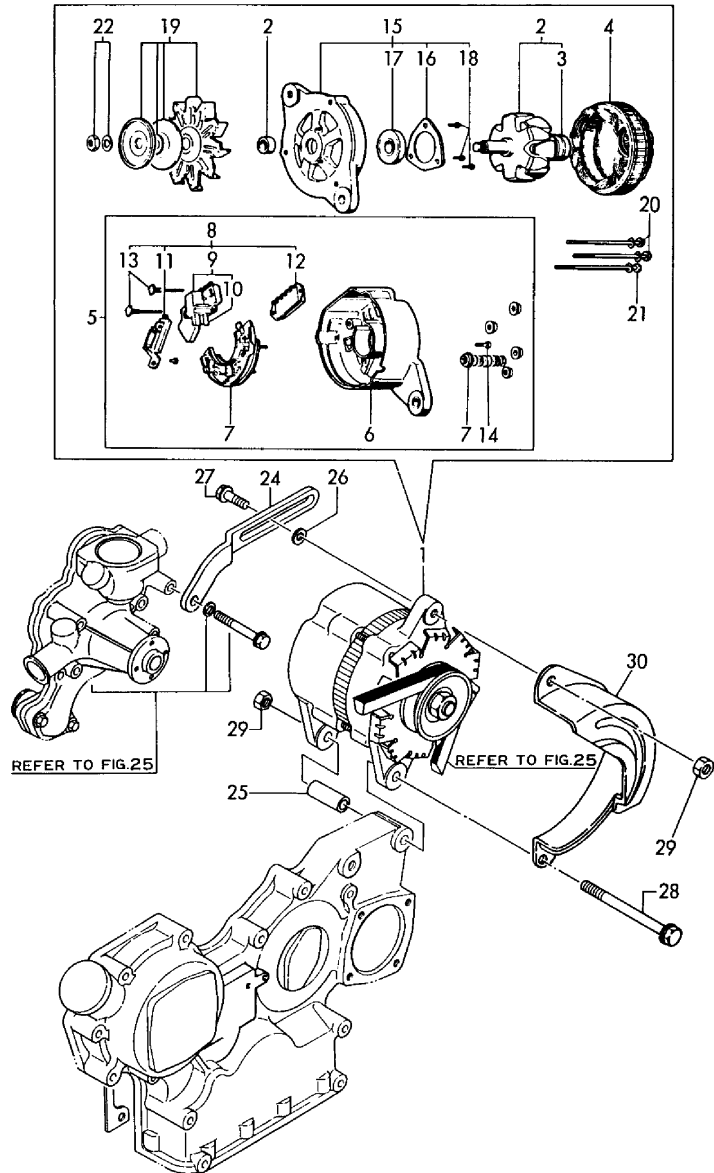
Fig.42. GENERATOR

(A)=4JH
(B)=4JH-T
(C)=4JH-HT

(D)=
(E)=
(F)=

Fig.42 ジェネレータ GENERATOR

SPEC. CODE
D29495-77200

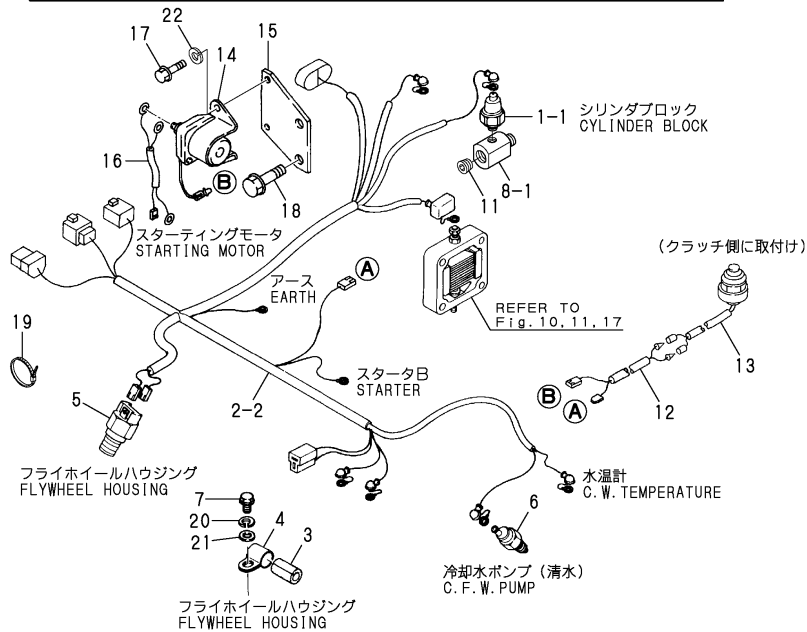
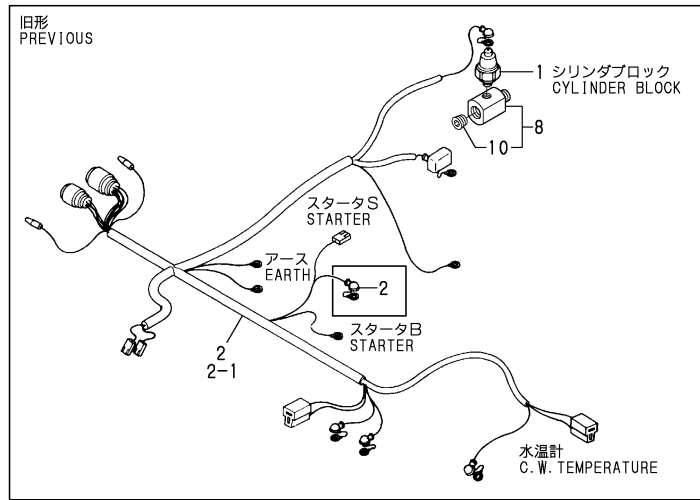


No.	Lev.	Parts No.	Description	Q'ty						I	R
				(A)	(B)	(C)	(D)	(E)	(F)		
1	1	128270-77200	GENERATOR, LR135-105	1	1	1					
2	2	XL13561001	ROTOR ASSY	1	1	1					
3	3	X6201SD	BALL BEARING	1	1	1					
4	2	XL13542001	STATOR ASSY	1	1	1					
5	2	XL13563003	COVER ASSY	1	1	1					
6	3	XL1358301	COVER	1	1	1					
7	3	XL1353320	DIODE ASSY	1	1	1					
8	3	XL13513152	BRUSH REGULATOR(W/CO	1	1	1					
9	4	XL1354326	BRUSH, CARBON	1	1	1					1
10	4	XL12013262	BRUSH	2	2	2					
11	4	XL1352318	CONDENSER ASSY	1	1	1					
12	4	XTR1Z63	REGULATOR	1	1	1					
13	4	XL13513134	BOLT M5	2	2	2					
14	3	26557-050142	SCREW M 5X 14	1	1	1					
15	2	XL1359400	COVER ASSY, FRONT	1	1	1					
16	3	XL13514042	RETAINER	1	1	1					
17	3	X6302BM	BALL BEARING	1	1	1					
18	3	26557-040122	SCREW, M4X12	3	3	3					
19	2	XL13525001	PULLEY ASSY	1	1	1					
20	2	XL1254801	BOLT, THROUGH	2	2	2					
21	2	XL1255801	BOLT, THROUGH	1	1	1					
22	2	XB495469B	NUT ASSY, PULLEY	1	1	1					
24	1	129495-77330	ADJUSTER, BELT	1	1	1					
25	1	129470-77340	PIECE, DISTANCE	1	1	1					
25-1	1	129490-77340	PIECE, DISTANCE	1	1	1					N
		(A=*1987.04) (B=*1987.04) (C=*1987.04)									
26	1	22137-080000	WASHER, 8	1	1	1					
27	1	26106-080352	BOLT, M8X 35 PLATED	1	1	1					
28	1	26106-081202	BOLT, M8X120 PLATED	1	1	1					
29	1	26716-080002	NUT, M8	2	2	2					
30	1	129795-77210	COVER	1	1	1					

Fig.43. WIRE HARNESS & SENSOR

P/C NEWS No:Y00F2441-10
PUBLISHED:2003/6

Fig.43 ワイヤハーネス&センサ
WIRE HARNESS & SENSOR



(A)=4JH
(B)=4JH-T
(C)=4JH-HT

(D)=
(E)=
(F)=

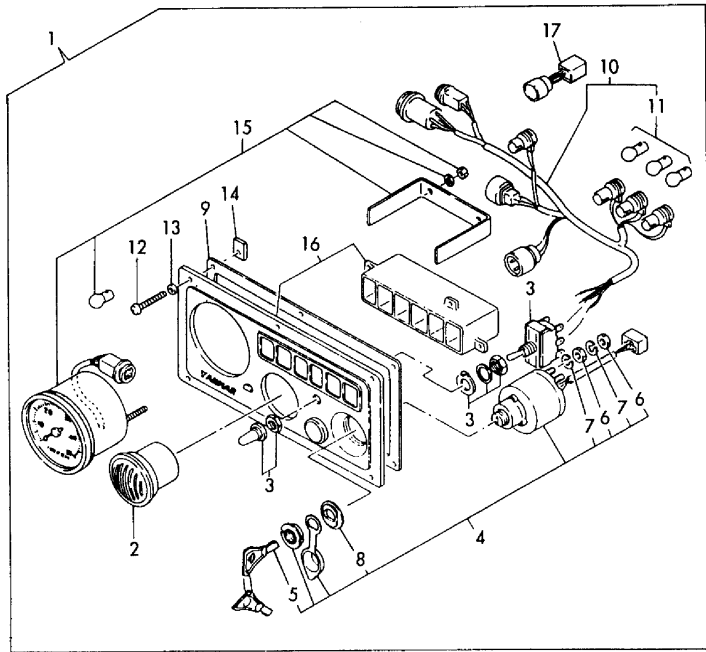
No.	Lev.	Parts No.	Description	Q'ty						I	R
				(A)	(B)	(C)	(D)	(E)	(F)		
1	1	124060-39451	SWITCH, 0.2KG	1	1	1					
1-1	1	124060-39452	SWITCH, 0.2KG	1	1	1					N
		(A=*2000.02) (B=*2000.02) (C=*2000.02)									
2	1	129495-77920	HARNESS, WIRE	1	1	1					
2-1	1	129495-77921	HARNESS, WIRE	1	1	1					S 1
		(A=E01416) (B=E01370) (C=E01467)									
2-2	1	129573-77932	HARNESS, WIRE	1	1	1					S
		(A=E01520) (B=E01462) (C=E01564)									
3	1	124770-77940	PROTECTOR	1	1	1					
4	1	124070-77950	CLAMP	1	1	1					
5	1	128170-91160	SENSOR	1	1	1					
6	1	127610-91350	SWITCH, 95	1	1	1					
7	1	26106-080162	BOLT, M8X 16 PLATED	1	1	1					
8	1	129470-39600	DAMPER ASSY	1	1	1					
8-1	1	43580-500680	DAMPER ASSY, PT1/8	1	1	1					N
		(A=E01480) (B=E01430) (C=E01526)									
10	2	23871-020000	PLUG, R02	1	1	1					Z
		(A=E01480) (B=E01430) (C=E01526)									
11	1	23871-010000	PLUG, R01	1	1	1					W
		(A=E01480) (B=E01430) (C=E01526)									
12	1	177074-06350	HARNESS, WIRE	1	1	1					W
		(A=E01601) (B=E01502) (C=E01621)									
13	1	120270-77101	SWITCH, SAFETY	1	1	1					W
		(A=E01601) (B=E01502) (C=E01621)									
14	1	129490-77910	RELAY, STARTER	1	1	1					W
		(A=E01601) (B=E01502) (C=E01621)									
15	1	129573-77951	BRACKET	1	1	1					W
		(A=E01601) (B=E01502) (C=E01621)									
16	1	129573-77960	HARNESS, WIRE	1	1	1					W
		(A=E01601) (B=E01502) (C=E01621)									
17	1	26106-060102	BOLT, M6X 10 PLATED	2	2	2					W
		(A=E01601) (B=E01502) (C=E01621)									
17-1	1	26106-060082	BOLT, M6X 8 PLATED	2	2	2					N
		(A=*1998.04) (B=*1998.04) (C=*1998.04)									
18	1	26106-100162	BOLT, M10X 16 PLATED	2	2	2					W
		(A=E01601) (B=E01502) (C=E01621)									
19	1	170903-12900	CLAMP	1	1	1					W
		(A=*1996.05) (B=*1996.06) (C=*1996.05)									
19-1	1	194250-51660	BAND, NYLON	1	1	1					N
		(A=*1996.06) (B=*1996.06) (C=*1996.06)									
20	1	22217-080000	WASHER, SPRING 8	1	1	1					
21	1	22137-080000	WASHER, 8	1	1	1					
22	1	22217-060000	WASHER, SPRING 6	2	2	2					W
		(A=*1998.04) (B=*1998.04) (C=*1998.04)									

Remarks
(1)INTERCHANGEABLE BY SIMULTANEOUS
REPLACEMENT WITH FIG.41
REF.NO.30.

Fig.44. INSTRUMENT PANEL (B TYPE)

Fig.44 ケイキパン (Bタイプ) INSTRUMENT PANEL (B-TYPE)

SPEC. CODE
 D29495-91100
 D29495-91400
 D29495-91500



(A)=4JH
 (B)=4JH-T
 (C)=4JH-HT

(D)=
 (E)=
 (F)=

No.	Lev.	Parts No.	Description	Qty						I	R
				(A)	(B)	(C)	(D)	(E)	(F)		
1	1	129495-91100	PANEL ASSY, B	1	1	1					
2	2	104271-91351	BUZZER	1	1	1					
3	2	128170-91310	SWITCH	1	1	1					
4	2	121575-91250	SWITCH, KEY	1	1	1					
5	3	123482-91291	KEY	1	1	1					
6	3	26716-050002	NUT, M5	10	10	10					
7	3	22217-050000	WASHER, SPRING 5	10	10	10					
8	3	121575-91260	ADAPTER	1	1	1					
9	2	128170-91020	GASKET	1	1	1					
10	2	129495-91120	HARNES, WIRE	1	1	1					
11	3	124617-91920	BULB, 12V-3W	3	3	3					
12	2	128170-91810	SCREW, M5X35	6	6	6					
13	2	128170-91820	WASHER, 5	6	6	6					
14	2	128170-91830	NUT, M5	6	6	6					
15	2	129495-91150	TACHOMETER	1	1	1					
16	2	129495-91010	BODY, PANEL	1	1	1					
17	2	129795-91800	TIMER	1	1	1					
18	1	129495-77400	CORD, EXTENSION 2000	1	1	1					
19	1	129495-77500	CORD, EXTENSION 6000	1	1	1					1

Remarks
 (1)OPTIONAL

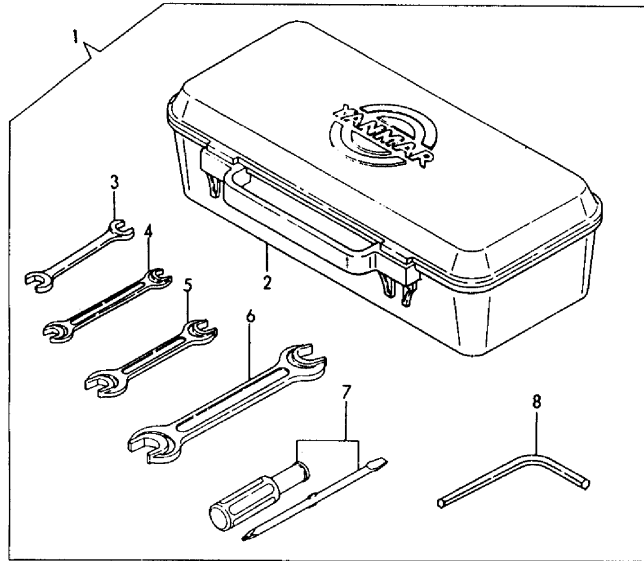
Fig.45. TOOLS

(A)=4JH
(B)=4JH-T
(C)=4JH-HT

(D)=
(E)=
(F)=

Fig.45 コウグ
TOOL

SPEC. CODE
D29490-92100



No.	Lev.	Parts No.	Description	Q'ty						I	R
				(A)	(B)	(C)	(D)	(E)	(F)		
1	1	729470-92100	BOX ASSY, TOOL	1	1	1					
2	2	104200-92600	BOX, TOOL	1	1	1					
3	2	28110-100130	SPANNER, 10X13	1	1	1					
4	2	28110-120140	SPANNER, 12X14	1	1	1					
5	2	28110-170190	SPANNER, 17X19	1	1	1					
6	2	28110-220240	SPANNER, 22X24	1	1	1					
7	2	104200-92350	DRIVER, SCREW	1	1	1					
8	2	177040-09050	WRENCH	1	1	1					

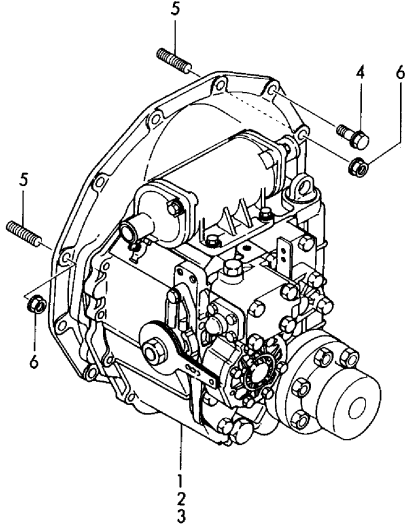
Fig.46. CLUCH ASSY(YX-10)

(A)=4JH
(B)=4JH-T
(C)=4JH-HT

(D)=
(E)=
(F)=

Fig.46 クラッチシクミ (YX-10)
CLUTCH ASSY (YX-10)

SPEC. CODE
D20130-81100
D20130-81200
D20130-81300



No.	Lev.	Parts No.	Description	Q'ty						I	R
				(A)	(B)	(C)	(D)	(E)	(F)		
1	1	120130-81100	CLUTCH ASSY, l=2.54	1	1						1
2	1	120130-81200	CLUTCH ASSY, l=3.13	1	1						2
3	1	120130-81300	CLUTCH ASSY, l=3.50	1	1						3
4	1	26106-100302	BOLT, M10X 30 PLATED	8	8						
5	1	26226-100222	STUD, M10X 22	2	2						
6	1	26716-100002	NUT, M10	2	2						

Remarks
(1) l=2.54
(2) l=3.13
(3) l=3.50

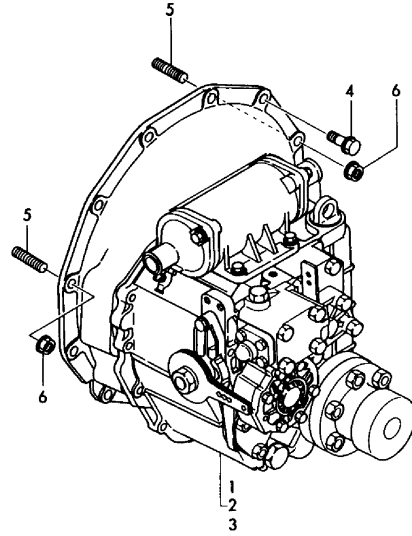
Fig.47. CLUCH ASSY (YX-15)

(A)=4JH
(B)=4JH-T
(C)=4JH-HT

(D)=
(E)=
(F)=

Fig. **47** クラッチシクミ (YX-15)
CLUTCH ASSY (YX-15)

SPEC. CODE
D29494-81100
D29494-81200
D29494-81300

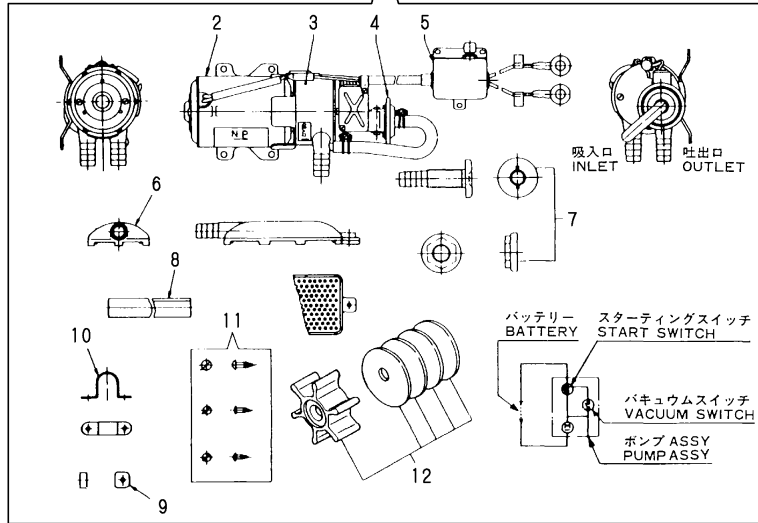
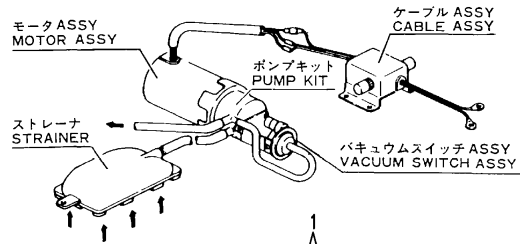


No.	Lev.	Parts No.	Description	Q'ty						I	R
				(A)	(B)	(C)	(D)	(E)	(F)		
1	1	129494-81100	CLUTCH ASSY, I=2.58			1					1
2	1	129494-81200	CLUTCH ASSY, I=3.10			1					2
3	1	129494-81300	CLUTCH ASSY, I=3.53			1					3
4	1	26106-100302	BOLT, M10X 30 PLATED			8					
5	1	26226-100222	STUD, M10X 22			2					
6	1	26716-100002	NUT, M10			2					

Remarks
(1) I=2.58
(2) I=3.10
(3) I=3.53

Fig.48. ELECTRIC BILGE PUMP(12V)

P/C NEWS No:Y00F2441-12
PUBLISHED:2004/7



(A)=4JH
(B)=4JH-T
(C)=4JH-HT

(D)=
(E)=
(F)=

No.	Lev.	Parts No.	Description	Qty						I	R
				(A)	(B)	(C)	(D)	(E)	(F)		
1	1	977782-00121	PUMP ASSY, W/TIMMER	1	1	1					
2	2	XBP2901200	MOTOR ASSY.	1	1	1					M
2-1	2	XBP1902200	MOTER ASSY	1	1	1					
3	2	XBP1901300	PUMP SET	1	1	1					
4	2	XBP1902400	VACUUM SWITCH ASSY	1	1	1					
5	2	XBP1905500	CABLE ASSY.	1	1	1					
6	2	XBP1902810	STRAINER	1	1	1					
7	2	XBP1901820	OUTLET	1	1	1					
8	2	XBP1901830	HOSE	1	1	1					
9	2	XBP1901910	SPACER	1	1	1					
10	2	XBP1901920	CLAMP	1	1	1					
11	2	XBP1901950	SCREW SET	1	1	1					
12	2	947859-20010	IMPELLER	1	1	1					

Remarks
(M)MISPRINT:REFER TO THE NEXT ITEM.

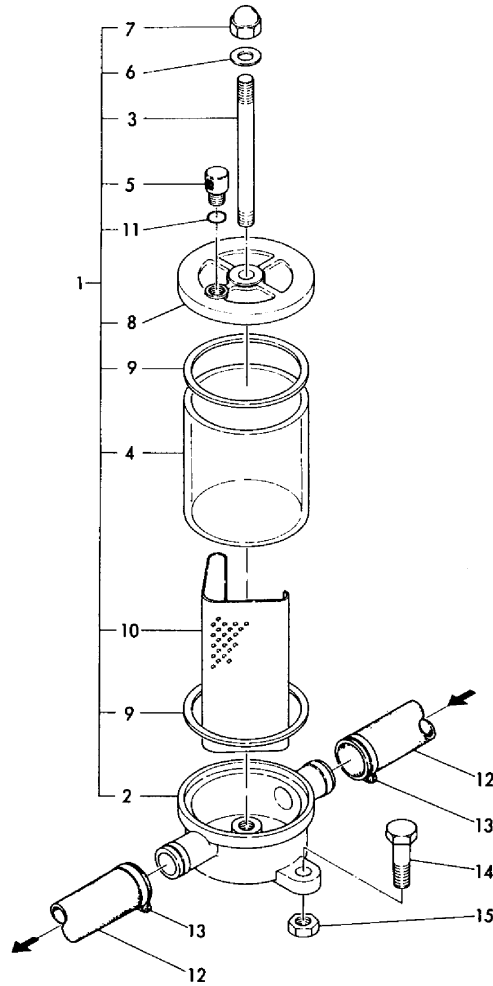
Fig.49. SEA WATER FILTER

(A)=4JH
(B)=4JH-T
(C)=4JH-HT

(D)=
(E)=
(F)=

Fig.49 カイスイコシキ
SEA WATER FILTER

SPEC. CODE
D29795-48300



No.	Lev.	Parts No.	Description	Qty						I	R
				(A)	(B)	(C)	(D)	(E)	(F)		
1	1	919400-02500	STRAINER	1	1	1					
2	2	XTST25S001	BODY	1	1	1					
3	2	XTST25S002	BOLT M 8X125	1	1	1					
4	2	XTST25S003	PIPE, OUTER	1	1	1					
5	2	XTST25S004	PLUG M 8	1	1	1					
6	2	XTST25S005	PACKING	1	1	1					
7	2	26664-080002	NUT, CAP M8	1	1	1					
8	2	XTST25S007	COVER	1	1	1					
9	2	XTST25S008	PACKING	2	2	2					
10	2	XTST25S009	FILTER	1	1	1					
11	2	24311-000060	O-RING, 1AP6.0	1	1	1					
12	1	23072-101000	HOSE, 10X1000	1	1	1					
13	1	23000-041000	CLAMP, 41	2	2	2					
14	1	26116-080302	BOLT, M8X 30 PLATED	2	2	2					
15	1	26703-080002	NUT, M8	2	2	2					

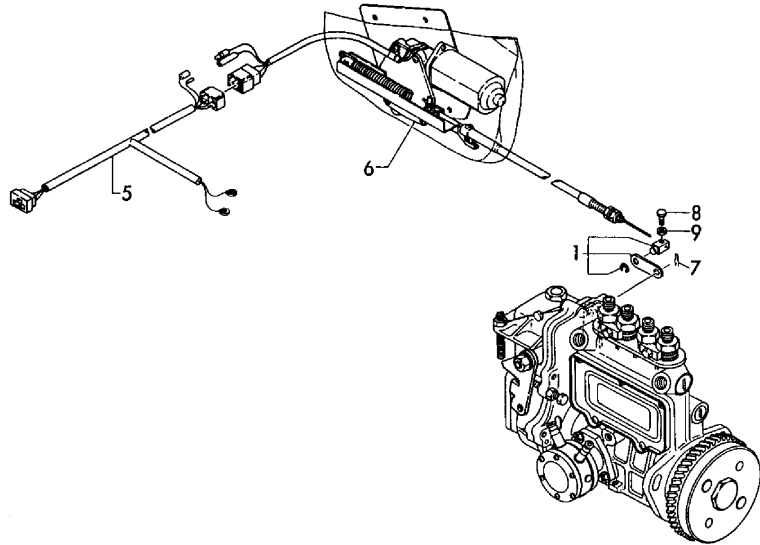
Fig.50. ENGINE STOP DEVICE

(A)=4JH
(B)=4JH-T
(C)=4JH-HT

(D)=
(E)=
(F)=

Fig. **50** キカンテイシソウチ
ENGINE STOP DEVICE

SPEC. CODE
D29495-77600
D29590-77600



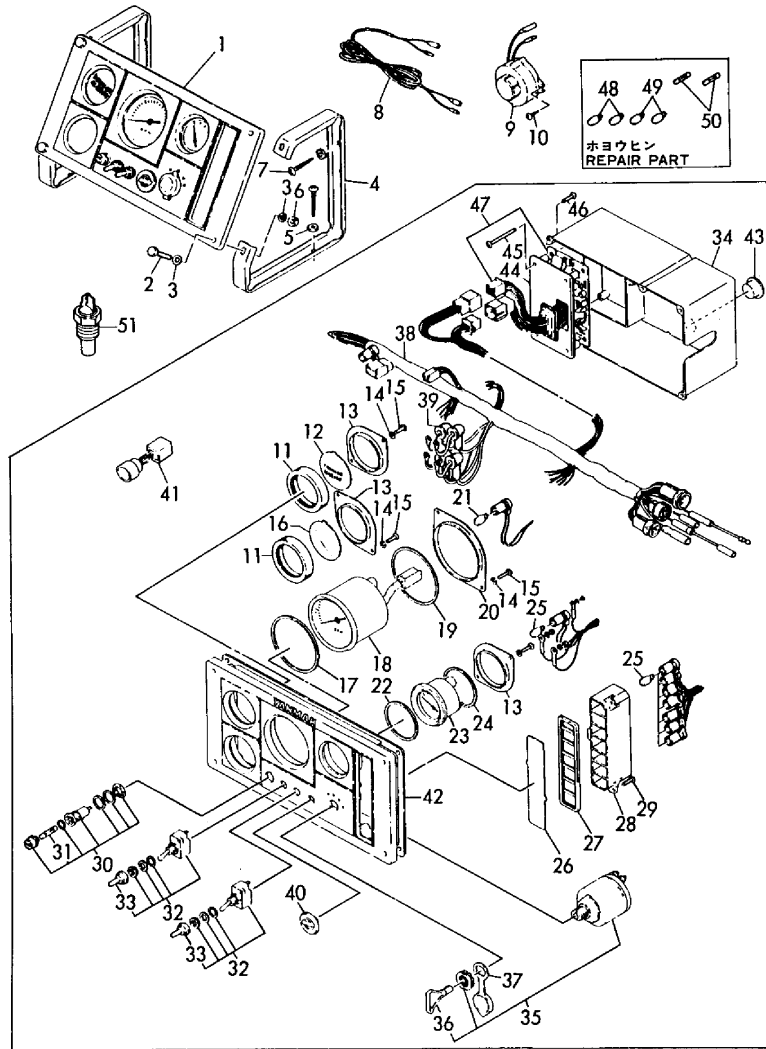
No.	Lev.	Parts No.	Description	Q'ty						I	R
				(A)	(B)	(C)	(D)	(E)	(F)		
1	1	129495-67300	RETAINER ASSY	1	1	1					
5	1	121575-77750	HARNESS, WIRE	1	1	1					
6	1	121575-77900	MOTOR, STOP	1	1	1					
7	1	22360-080000	SNAP PIN 8	1	1	1					
8	1	26116-050142	BOLT, M5X 14 PLATED	1	1	1					
9	1	26756-050002	NUT, LOCK M5	1	1	1					

Fig.51. INSTRUMENT PANEL (C TYPE)

(A)=4JH
(B)=4JH-T
(C)=4JH-HT

(D)=
(E)=
(F)=

Fig. 51 ケイキパン(Cタイプ)
INSTRUMENT PANEL (C-TYPE) SPEC. CODE
D29495-91200



No.	Lev.	Parts No.	Description	Q'ty						I	R
				(A)	(B)	(C)	(D)	(E)	(F)		
1	1	129495-91200	PANEL ASSY	1	1	1					
2	2	127620-91500	SCREW	4	4	4					
3	2	127620-91510	WASHER	8	8	8					
4	2	127410-91680	BRACKET, PANEL	2	2	2					
5	2	127620-91560	WASHER	4	4	4					
6	2	127620-91550	NUT	4	4	4					
7	2	127620-91570	SCREW	4	4	4					
8	2	127620-91580	HARNES, WIRE	1	1	1					
9	2	124617-91900	BUZZER	1	1	1					
10	2	22717-410160	SCREW, 4.1X16	2	2	2					
11	2	127410-91500	RUBBER	2	2	2					
12	2	127620-91600	COVER	1	1	1					
13	2	127410-91510	BRACKET	3	3	3					
14	2	127410-91520	WASHER	8	8	8					
15	2	127410-91530	SCREW	8	8	8					
16	2	127410-91540	COVER	1	1	1					
17	2	127410-91550	GASKET	1	1	1					
18	2	129470-91250	TACHOMETER	1	1	1					
19	2	127410-91560	GASKET	1	1	1					
20	2	127410-91570	BRACKET	1	1	1					
21	2	124617-91920	BULB, 12V-3W	1	1	1					
22	2	127410-91580	GASKET	1	1	1					
23	2	124617-91840	THERMOMETER, WATER	1	1	1					
24	2	127410-91590	GASKET	1	1	1					
25	2	124617-91980	BULB, 12V-1.7W	6	6	6					
26	2	127410-91600	LENS	1	1	1					
27	2	127410-91610	RETAINER	1	1	1					
28	2	127410-91620	BODY	1	1	1					
29	2	127410-91630	SCREW	3	3	3					
30	2	46150-003610	BOX(WITH OUT FUSE	1	1	1					
31	3	124617-91990	FUSE	1	1	1					
32	2	127620-91790	SWITCH	2	2	2					
33	3	127620-91780	CAP, RUBBER	2	2	2					
34	2	127410-91660	CASE	1	1	1					
35	2	121575-91250	SWITCH, KEY	1	1	1					
36	3	123482-91291	KEY	2	2	2					
37	3	127620-91820	COVER	1	1	1					
38	2	129495-91220	HARNES, WIRE	1	1	1					
39	2	127620-91830	CAP, RUBBER	4	4	4					
40	2	127620-91810	PLUG	1	1	1					
41	2	129795-91800	TIMER	1	1	1					
42	2	129470-91200	GASKET	1	1	1					
43	2	127410-91670	CAP	1	1	1					
44	2	127410-91700	COVER	1	1	1					
45	2	127410-91640	SCREW	4	4	4					
46	2	127410-91650	SCREW	5	5	5					
47	2	157854-91270	CIRCUIT UNIT, ALARM	1	1	1					
48	2	124617-91980	BULB, 12V-1.7W	2	2	2					
49	2	124617-91920	BULB, 12V-3W	2	2	2					
50	2	124617-91900	BUZZER	2	2	2					
51	1	127610-91580	SENSOR, 24V	1	1	1					

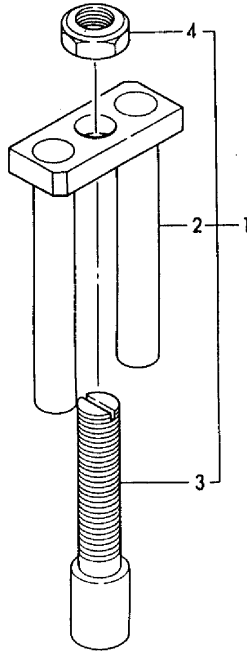
Fig.52. SPECIAL TOOL

(A)=4JH
(B)=4JH-T
(C)=4JH-HT

(D)=
(E)=
(F)=

Fig. 52 トクシュコウグ
SPECIAL TOOL

SPEC. CODE
D29470-92200



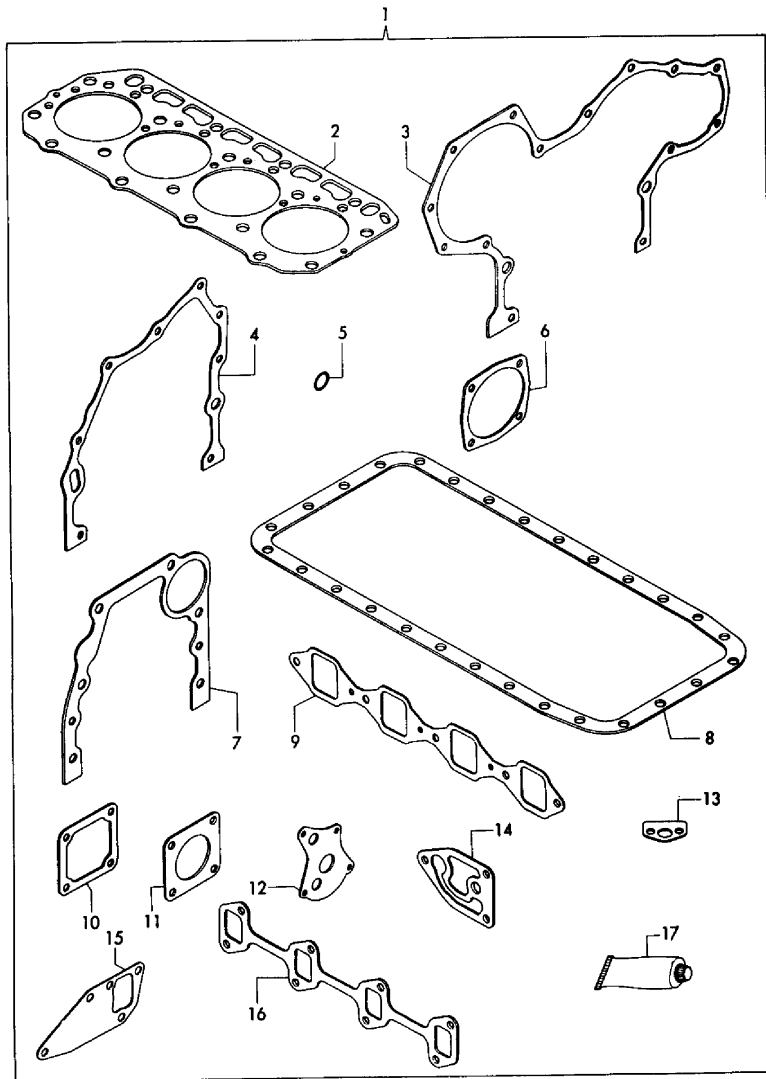
No.	Lev.	Parts No.	Description	Q'ty						I	R
				(A)	(B)	(C)	(D)	(E)	(F)		
1	1	129470-92300	TOOL ASSY, NOZZLE	1	1	1					
2	2	129470-92310	TOOL,NOZZLE REMOVE A	1	1	1					
3	2	129470-92320	TOOL,NOZZLE REMOVE B	1	1	1					
4	2	26716-120002	NUT, M12	1	1	1					

Fig.53. GASKET SET

(A)=4JH
(B)=4JH-T
(C)=4JH-HT

(D)=
(E)=
(F)=

Fig. **53** パッキンセット
GASKET SET

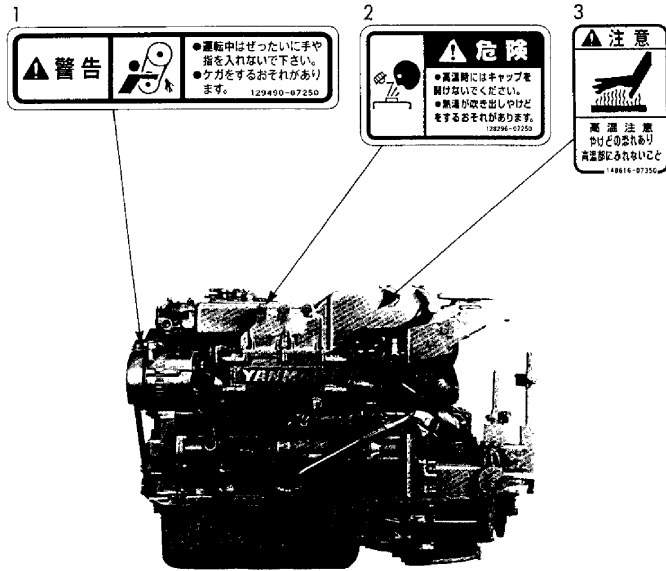


No.	Lev.	Parts No.	Description	Qty						I	R
				(A)	(B)	(C)	(D)	(E)	(F)		
1	1	729470-92600	GASKET SET	1	1	1					
1-1	1	729470-92601	GASKET SET	1	1	1					N
		(A=*1988.08)	(B=*1988.08)	(C=*1988.08)							
2	2	129553-01350	GASKET, HEAD T=1.4	1	1	1					
3	2	129150-01510	GASKET, GEAR CASE	1	1	1					
3-1	2	129470-01510	GASKET, GEAR CASE	1	1	1					N
		(A=*1988.08)	(B=*1988.08)	(C=*1988.08)							
4	2	129150-01530	GASKET, GEAR CASE	1	1	1					
4-1	2	129470-01530	GASKET	1	1	1					N
		(A=*1988.08)	(B=*1988.08)	(C=*1988.08)							
5	2	129470-01550	O-RING	2	2	2					
6	2	129150-01880	GASKET	2	2	2					
6-1	2	129470-01880	GASKET, GEAR CASE	2	2	2					N
		(A=*1988.08)	(B=*1988.08)	(C=*1988.08)							
7	2	129100-01620	GASKET	1	1	1					
7-1	2	129470-01620	GASKET	1	1	1					N
		(A=*1988.08)	(B=*1988.08)	(C=*1988.08)							
8	2	129400-01750	GASKET, OIL SUMP	1	1	1					
8-1	2	129470-01750	GASKET, OIL SUMP	1	1	1					N
		(A=*1988.08)	(B=*1988.08)	(C=*1988.08)							
9	2	129550-12110	GASKET, MANIFOLD	1	1	1					
9-1	2	129470-12130	GASKET, MANIFOLD	1	1	1					N
		(A=*1988.08)	(B=*1988.08)	(C=*1988.08)							
10	2	129150-77510	GASKET	1	1	1					
10-1	2	129470-77590	GASKET	1	1	1					N
		(A=*1988.08)	(B=*1988.08)	(C=*1988.08)							
11	2	129792-18090	GASKET	1	1	1					
11-1	2	129472-18090	GASKET	1	1	1					N
		(A=*1988.08)	(B=*1988.08)	(C=*1988.08)							
12	2	129150-32020	GASKET, PUMP	1	1	1					
13	2	129150-35040	GASKET	1	1	1					
13-1	2	129470-35040	GASKET	1	1	1					N
		(A=*1988.08)	(B=*1988.08)	(C=*1988.08)							
14	2	129470-35120	GASKET	1	1	1					
14-1	2	129470-35121	GASKET	1	1	1					N
		(A=*1988.08)	(B=*1988.08)	(C=*1988.08)							
15	2	129150-42020	GASKET, WATER PUMP	1	1	1					
16	2	129550-13110	GASKET	1	1	1					
17	2	977770-01212	GASKET, LIQUID	1	1	1					

Fig.54. SAFETY LABEL

発行No. 000Y00F2441-3
更新年月: 1995.08
REVISED: Sep., 1995

Fig.54 安全銘板 SAFETY LABEL



警告表示(ラベル)の部品コード番号

No.	部品番号
1	129490-07250
2	128296-07250
3	148616-07350

安全銘板の貼付け位置は、取扱説明書をご参照下さい。

(A)=4JH
(B)=4JH-T
(C)=4JH-HT

(D)=
(E)=
(F)=

No.	Lev.	Parts No.	Description	Q'ty						I	R
				(A)	(B)	(C)	(D)	(E)	(F)		
1	1	129490-07250	LABEL, CAUTION	1	1	1					
2	1	128296-07250	LABEL, CAUTION	1	1	1					
3	1	148616-07350	LABEL, CAUTION	1	1	1					

今回この項目を追加しました。
THIS FIGURE IS NEWLY ADDED.

Fig.55. INSTRUMENT PANEL(NEW B-4 TYPE)

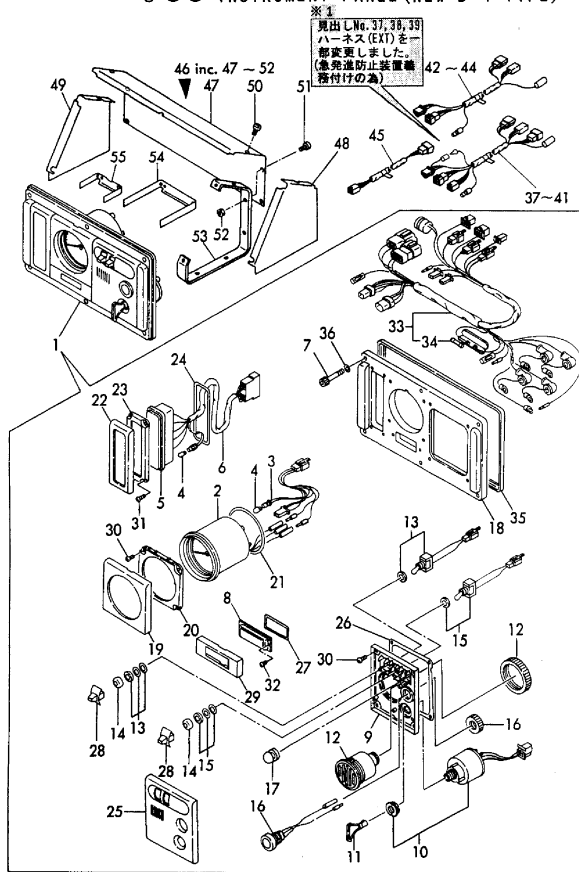
(A)=4JH
(B)=4JH-T
(C)=4JH-HT

(D)=
(E)=
(F)=

発行No. 88930F2441-1
更新年月: 1984. 7
REVISED: July, 1984

SPEC. CODE
D29574-91900

Fig. 55 ケイキパン(シン B-4)(12 V)
INSTRUMENT PANEL (NEW B-4 TYPE)



※1
見出しNo. 37, 38, 39
ハーネス(EXT)を一
部変更しました。
(急発進防止装置兼
検灯付の為)

この項目すべてが今回の追加分です。
THIS FIGURE IS NEWLY ADDED.

※印の英文はリスト(本文)の備考欄を参照願います。
*MARKED PARTS CAN BE REFERED IN REMARKS COLUMN.

Remarks

- (1) FOR GM, HM SERIES.
- (2) USE IT WHEN MOUNTING THE NEW TYPE PANEL ON THE (OLD TYPE) WIRE HARNESS FOR ENGINE.
- (3) USE IT WHEN MOUNTING THE OLD TYPE PANEL ON THE (NEW TYPE) WIRE HARNESS FOR ENGINE.
- (4) OPTIONAL PARTS.
- (5) NOT NEEDED WHEN MOUNTING ON THE SIDE.

No.	Lev.	Parts No.	Description	Q'ty						I	R
				(A)	(B)	(C)	(D)	(E)	(F)		
1	1	129495-91130	PANEL ASSY, INSTRUM	1	1	1					6
2	2	129574-91200	METER KIT	1	1	1					
3	2	129574-91870	HARNESS, WIRE	1	1	1					
4	2	124617-91980	BULB, 12V-1.7W	5	5	5					
5	2	129495-91260	BOX	1	1	1					
6	2	129495-91860	HARNESS, WIRE	1	1	1					
7	2	127687-91870	BOLT, M6X35	6	6	6					
8	2	129170-91650	COVER	1	1	1					
9	2	129574-91410	BRACKET, SWITCH	1	1	1					
10	2	121575-91250	SWITCH, KEY	1	1	1					
11	2	123482-91291	KEY	1	1	1					
12	2	104271-91352	BUZZER	1	1	1					
13	2	129170-91800	SWITCH	1	1	1					
14	2	129574-91780	CAP, RUBBER	2	2	2					
15	2	129574-91790	SWITCH	1	1	1					
16	2	129470-91190	SWITCH, STOP	1	1	1					
17	2	129170-91810	COVER	1	1	1					
18	2	128391-91930	PANEL	1	1	1					
19	2	129574-91620	BEZEL	1	1	1					
20	2	129574-91420	BRACKET	1	1	1					
21	2	129574-91720	GASKET	1	1	1					
22	2	128391-91640	BEZEL	1	1	1					
23	2	128391-91440	PLATE	1	1	1					
24	2	128391-91740	GASKET	1	1	1					
25	2	129170-91610	BEZEL	1	1	1					
26	2	129574-91710	GASKET	1	1	1					
27	2	129574-91750	GASKET	1	1	1					
28	2	129574-91770	KNOB	2	2	2					
29	2	129574-91650	BEZEL	1	1	1					
30	2	127692-91410	SCREW	8	8	8					
31	2	127692-91440	SCREW	4	4	4					
32	2	127692-91450	SCREW	2	2	2					
33	2	129570-91850	HARNESS, WIRE	1	1	1					
34	3	124617-91990	FUSE	1	1	1					
35	2	128391-91700	GASKET	1	1	1					
36	2	127687-91880	WASHER	6	6	6					
37	1	129574-77700	HARNESS, WIRE 3M	1	1	1					
37-1	1	129574-77700-1	HARNESS, WIRE 3M	1	1	1					N
		(A=E01601) (B=E01502) (C=E01621)									
38	1	129574-77710	HARNESS, WIRE 4M	1	1	1					
38-1	1	129574-77710-1	HARNESS, WIRE 4M	1	1	1					N
		(A=E01601) (B=E01502) (C=E01621)									
39	1	129574-77720	HARNESS, WIRE 6M	1	1	1					
39-1	1	129574-77720-1	HARNESS, WIRE 6M	1	1	1					N
		(A=E01601) (B=E01502) (C=E01621)									
40	1	128391-77710	HARNESS, WIRE	1	1	1					1
41	1	128391-77700	HARNESS, WIRE	1	1	1					1
42	1	129574-77850	HARNESS, WIRE	1	1	1					2
43	1	129574-77860	HARNESS, WIRE	1	1	1					3
44	1	127692-91700	HARNESS, WIRE	1	1	1					4
45	1	127692-91710	HARNESS, WIRE	1	1	1					4

Fig.55. INSTRUMENT PANEL(NEW B-4 TYPE)

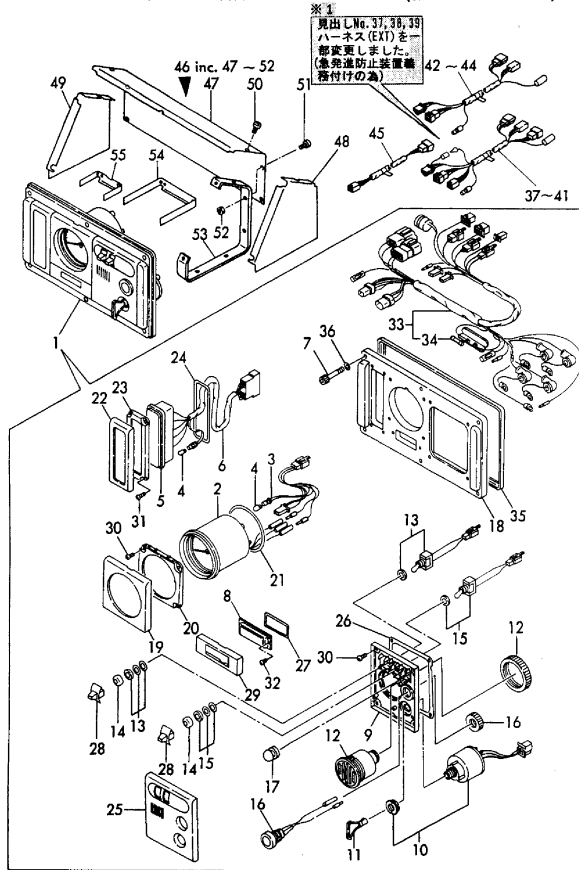
(A)=4JH
(B)=4JH-T
(C)=4JH-HT

(D)=
(E)=
(F)=

発行No. 88930F7441-1
更新年月: 1984. 7
REVISED: July, 1984

SPEC. CODE
D29574-91900

Fig. 55 ケイキパン(シン B-4)(12V)
INSTRUMENT PANEL(NEW B-4 TYPE)



この項目すべてが今回の追加分です。
THIS FIGURE IS NEWLY ADDED.

※印の英文はリスト(本文)の備考欄を参照願います。
*MARKED PARTS CAN BE REFERED IN REMARKS COLUMN.

No.	Lev.	Parts No.	Description	Qty						I	R
				(A)	(B)	(C)	(D)	(E)	(F)		
46	1	129574-91900	COVER ASSY	1	1	1					4
47	2	129574-91950	COVER, PANEL	1	1	1					
48	2	129574-91960	COVER, PANEL	1	1	1					
49	2	129574-91970	COVER, PANEL	1	1	1					
50	2	26559-060122	SCREW, M6X12	2	2	2					
51	2	26556-060122	SCREW M 6X12	4	4	4					5
52	2	26716-060002	NUT, M6	4	4	4					5
53	1	129574-91530	BRACKET, PANEL	2	2	2					4
54	1	129574-91540	BRACKET	1	1	1					4
55	1	129574-91550	BRACKET	1	1	1					4

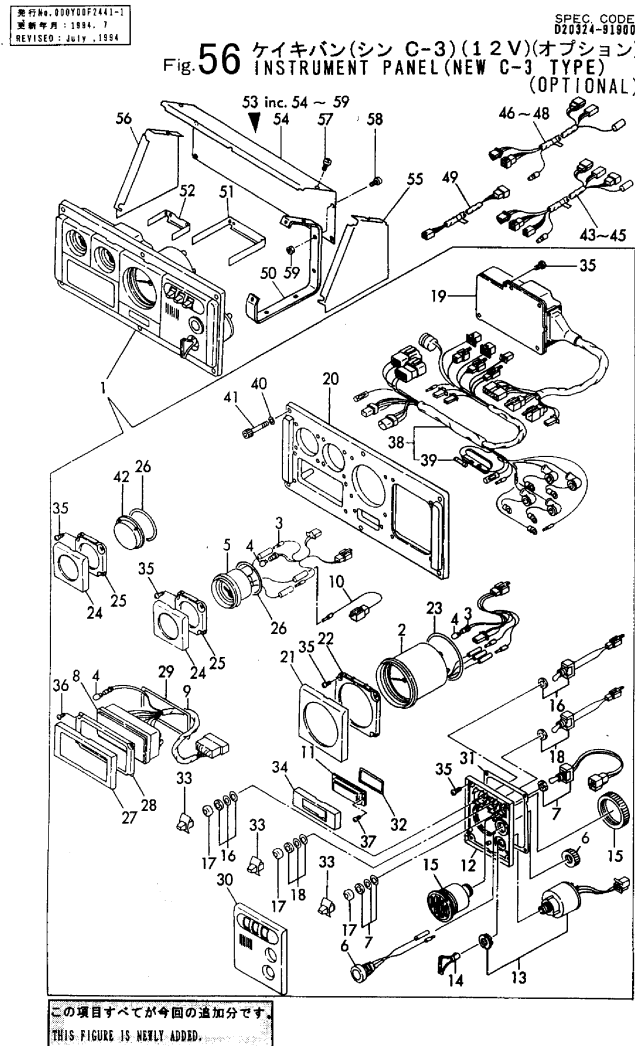
Remarks

- (1) FOR GM, HM SERIES.
- (2) USE IT WHEN MOUNTING THE NEW TYPE PANEL ON THE (OLD TYPE) WIRE HARNESS FOR ENGINE.
- (3) USE IT WHEN MOUNTING THE OLD TYPE PANEL ON THE (NEW TYPE) WIRE HARNESS FOR ENGINE.
- (4) OPTIONAL PARTS.
- (5) NOT NEEDED WHEN MOUNTING ON THE SIDE.

Fig.56. INSTRUMENT PANEL(NEW C-3 TYPE)

(A)=4JH
(B)=4JH-T
(C)=4JH-HT

(D)=
(E)=
(F)=



No.	Lev.	Parts No.	Description	Q'ty						I	R
				(A)	(B)	(C)	(D)	(E)	(F)		
1	1	129590-91160	PANEL ASSY, INSTRUM	1	1	1					5
2	2	129574-91200	METER KIT	1	1	1					
3	2	129574-91870	HARNESS, WIRE	2	2	2					
4	2	124617-91980	BULB, 12V-1.7W	5	5	5					
5	2	129574-91210	METER	1	1	1					
6	2	129470-91190	SWITCH, STOP	1	1	1					
7	2	129574-91810	SWITCH	1	1	1					
8	2	119189-91260	BOX, PANEL	1	1	1					
9	2	119183-91860	WIRE	1	1	1					
10	2	119189-91890	CORD	1	1	1					
11	2	129170-91650	COVER	1	1	1					
12	2	129574-91410	BRACKET, SWITCH	1	1	1					
13	2	121575-91250	SWITCH, KEY	1	1	1					
14	2	123482-91291	KEY	1	1	1					
15	2	104271-91352	BUZZER	1	1	1					
16	2	129574-91800	SWITCH ASSY	1	1	1					
17	2	129574-91780	CAP, RUBBER	3	3	3					
18	2	129574-91790	SWITCH	1	1	1					
19	2	129574-91270	BOX	1	1	1					
20	2	129170-91930	PANEL	1	1	1					
21	2	129574-91620	BEZEL	1	1	1					
22	2	129574-91420	BRACKET	1	1	1					
23	2	129574-91720	GASKET	1	1	1					
24	2	129574-91630	BEZEL	2	2	2					
25	2	129574-91430	BRACKET	2	2	2					
26	2	129574-91730	GASKET	2	2	2					
27	2	129574-91640	BEZEL	1	1	1					
28	2	129574-91440	BRACKET	1	1	1					
29	2	129574-91740	GASKET	1	1	1					
30	2	129574-91610	BEZEL	1	1	1					
31	2	129574-91710	GASKET	1	1	1					
32	2	129574-91750	GASKET	1	1	1					
33	2	129574-91770	KNOB	3	3	3					
34	2	129574-91650	BEZEL	1	1	1					
35	2	127692-91410	SCREW	19	19	19					
36	2	127692-91440	SCREW	4	4	4					
37	2	127692-91450	SCREW	2	2	2					
38	2	129590-91850	HARNESS, WIRE	1	1	1					
39	3	124617-91990	FUSE	1	1	1					
40	2	127687-91880	WASHER	6	6	6					
41	2	127687-91870	BOLT, M6X35	6	6	6					
42	2	129574-91600	COVER	1	1	1					
43	1	129574-77700	HARNESS, WIRE 3M	1	1	1					
44	1	129574-77710	HARNESS, WIRE 4M	1	1	1					
45	1	129574-77720	HARNESS, WIRE 6M	1	1	1					
46	1	129574-77850	HARNESS, WIRE	1	1	1					1
47	1	129574-77860	HARNESS, WIRE	1	1	1					2
48	1	127692-91700	HARNESS, WIRE	1	1	1					3
49	1	127692-91710	HARNESS, WIRE	1	1	1					3
50	1	129574-91530	BRACKET, PANEL	2	2	2					3
51	1	129574-91540	BRACKET	1	1	1					3

Remarks
 (1) USE IT WHEN MOUNTING THE NEW TYPE PANEL ON THE (OLD TYPE) WIRE HARNESS FOR ENGINE.
 (2) USE IT WHEN MOUNTING THE OLD TYPE PANEL ON THE (NEW TYPE) WIRE HARNESS FOR ENGINE.
 (3) OPTIONAL PARTS.
 (4) NOT NEEDED WHEN MOUNTING ON THE SIDE.

Fig.56. INSTRUMENT PANEL(NEW C-3 TYPE)

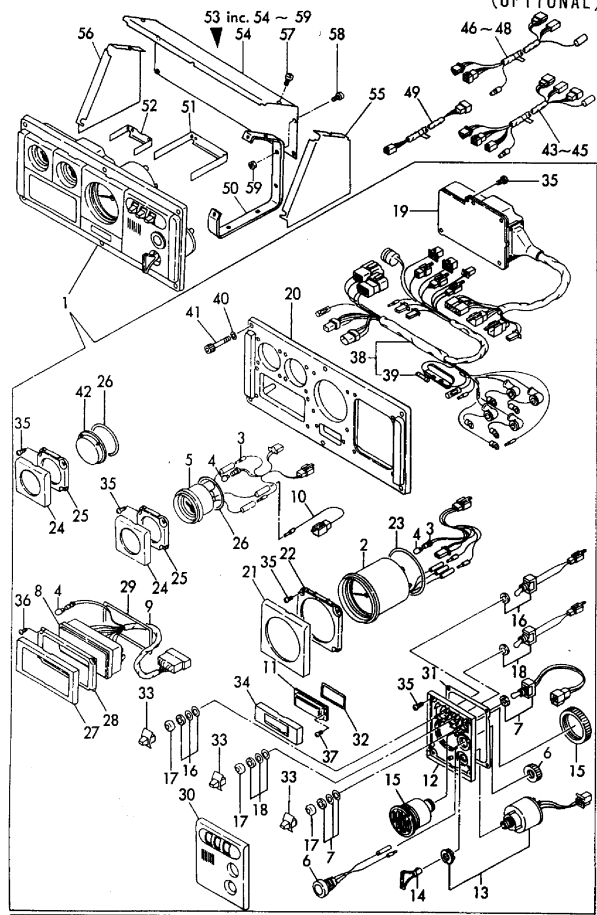
(A)=4JH
(B)=4JH-T
(C)=4JH-HT

(D)=
(E)=
(F)=

発行No. 000007441-1
発行人月 : 1994. 7
REVISED : July 1994

SPEC. CODE
020324-91900

Fig.56 ケイキパン(シン C-3)(12V)(オプション)
INSTRUMENT PANEL(NEW C-3 TYPE)
(OPTIONAL)



この項目すべてが今回の追加分です。
THIS FIGURE IS NEWLY ADDED.

No.	Lev.	Parts No.	Description	Q'ty						I	R
				(A)	(B)	(C)	(D)	(E)	(F)		
52	1	129574-91550	BRACKET	1	1	1					3
53	1	120324-91900	COVER, PANEL	1	1	1					3
54	2	120324-91950	COVER	1	1	1					
55	2	129574-91960	COVER, PANEL	1	1	1					
56	2	129574-91970	COVER, PANEL	1	1	1					
57	2	26559-060122	SCREW, M6X12	2	2	2					
58	2	26556-060122	SCREW M 6X12	4	4	4					4
59	2	26716-060002	NUT, M6	4	4	4					4

Remarks

- (1) USE IT WHEN MOUNTING THE NEW TYPE PANEL ON THE (OLD TYPE) WIRE HARNESS FOR ENGINE.
- (2) USE IT WHEN MOUNTING THE OLD TYPE PANEL ON THE (NEW TYPE) WIRE HARNESS FOR ENGINE.
- (3) OPTIONAL PARTS.
- (4) NOT NEEDED WHEN MOUNTING ON THE SIDE.

Parts No. Index

Parts No.	Fig. No.	Ref. No.
101304-59020	34	41 -1 60 -1
102210-07990	5	5 6
103338-11190	7	17
	8	17
104104-67300	35	71
	37	51
104200-59170	34	44 55
104200-92350	45	7
104200-92600	45	2
104214-39720	4	13
104264-59020	34	41
104271-91351	44	2
104271-91352	55	12
	56	15
105582-59540	34	42
114250-53080	30	13
114250-53120	30	17
114250-53130	30	18
114250-53140	30	19
114250-53210	30	20
114250-53400	30	21
119171-14400	15	5 -1
119183-91860	56	9
119189-91260	56	8
119189-91890	56	10
119620-54900	31	10
	32	10
	33	10
119625-11870	7	28 -1
	8	27 -1
119625-11880	7	44
	8	43
119625-11900	7	29 -1
	8	28 -1
119843-61540	37	35
119867-66910	38	6
120130-11860	7	49
	8	48
120130-49350	17	19
	26	4
120130-54800	31	9
120130-81100	46	1
120130-81200	46	2
120130-81300	46	3
120220-59150	23	18 -1
120270-77101	43	13
120322-07410	5	12

Parts No.	Fig. No.	Ref. No.
120322-33050	21	7 B 21 A
120324-91900	56	53
120324-91950	56	54
120445-44530	26	27
120445-44540	26	28
120445-44600	26	11
120445-44620	5	7
	26	14
120445-44640	26	15
121023-01550	2	5
121100-22400	19	12
121111-21501	18	18 -1
121252-39150	23	3
121400-11340	7	18
		19
	8	18
		18 -1
121450-01560	2	7
121550-23200	19	16
121575-77750	50	5
121575-77900	50	6
121575-91250	44	4
	51	35
	55	10
	56	13
121575-91260	44	8
121750-03080	9	8
121750-59890	34	48
	39	1
121750-59910	34	20
		49
121850-01910	9	4
121850-11860	7	9
	8	9
121850-21290	18	6
	20	17
121850-21680	18	10
121850-35200	22	17
121850-35520	22	19
121850-35531	22	20
121850-51960	28	55
	29	55
121850-54780	28	56
121850-54900	31	11
	32	11
	33	11
121850-61380	28	56 -1
	29	56
121855-59880	34	49 -1

Parts No.	Fig. No.	Ref. No.
121870-59930	30	35 -1
121970-59940	30	35
122117-51560	28	43
		43 -1
	29	43
122710-51050	28	5
	29	5
122710-51090	28	8
	29	8
122780-59100	30	41
123310-77640	41	26
123325-35110	34	8
		35
123325-35140	34	9
		33
123325-35160	34	10
123325-35170	34	11
123325-49421	21	10
123325-49490	17	1 E
123325-77920	41	29
123325-77930	41	28
123372-03150	27	1
123372-59100	30	24 -1
123385-82200	20	20
123472-59120	30	24
123482-91291	44	5
	51	36
	55	11
	56	14
123672-55700	34	31
123672-55720	34	13
123672-55750	34	14
123672-55760	34	15
123672-55811	34	19
123672-92950	6	9
123678-55790	34	38
123678-55860	34	37
123682-07350	5	2
123682-07850	5	4
123682-44210	26	12
123682-44220	26	13
124060-01050	1	6
124060-39451	43	1
124060-39452	43	1 -1
124066-59100	34	54
124070-59110	12	14
124070-77950	43	4
124160-01751	2	8
	9	12
124160-01910	1	5

Parts No.	Fig. No.	Ref. No.
124160-11360	9	14
124160-39140	12	13
	23	2
124160-49480	26	5
124210-13011	13	6
	14	8
124220-92700	6	7
124220-92920	6	8
124223-35510	22	18
124250-03640	37	76
124250-77012	41	1
124250-77020	41	3 -1
124250-77070	41	4 -1
124250-77110	41	5 -1
124250-77120	41	6 -1
124250-77130	41	7 -1
124250-77140	41	11 -1
124250-77150	41	12 -1
124250-77160	41	8 -1
124250-77170	41	9 -1
124250-77180	41	10 -1
124250-77190	41	13 -1
124250-77210	41	15 -1
124250-77220	41	16 -1
124250-77230	41	17 -1
124250-77240	41	18 -1
124250-77270	41	19 -1
124250-77310	41	20 -1
124250-77320	41	21 -1
124250-77510	41	2 -1
124250-77520	41	14 -1
124250-77540	41	23 -1
124410-54940	31	13
	32	13
	33	13
124413-39100	22	28
124413-39710	23	31
124460-11340	7	18 -1
	8	18 A
124460-77680	1	32
	17	20
	26	24
	27	13
124550-21600	18	16
124550-51350	28	29
	29	29
124550-51370	28	30
	29	30
124550-59820	23	23
124550-66370	35	2

Parts No. Index

Parts No.	Fig. No.	Ref. No.
124550-66370	36	2
	37	50
124550-77030	41	24
124617-91840	51	23
124617-91900	51	9
		50
124617-91920	44	11
	51	21
		49
124617-91980	51	25
		48
	55	4
	56	4
124617-91990	51	31
	55	34
	56	39
124736-07900	7	46
	8	45
124770-77940	43	3
124790-44560	26	29
124950-51190	28	15
	29	15
126630-07360	5	3
127410-28390	20	19
127410-91500	51	11
127410-91510	51	13
127410-91520	51	14
127410-91530	51	15
127410-91540	51	16
127410-91550	51	17
127410-91560	51	19
127410-91570	51	20
127410-91580	51	22
127410-91590	51	24
127410-91600	51	26
127410-91610	51	27
127410-91620	51	28
127410-91630	51	29
127410-91640	51	45
127410-91650	51	46
127410-91660	51	34
127410-91670	51	43
127410-91680	51	4
127410-91700	51	44
127610-07990	5	11
127610-91350	43	6
127610-91580	51	51
127610-91680	51	51 -1
127620-91500	51	2
127620-91510	51	3

Parts No.	Fig. No.	Ref. No.
127620-91550	51	6
127620-91560	51	5
127620-91570	51	7
127620-91580	51	8
127620-91600	51	12
127620-91780	51	33
127620-91790	51	32
127620-91810	51	40
127620-91820	51	37
127620-91830	51	39
127687-91870	55	7
	56	41
127687-91880	55	36
	56	40
127692-91410	55	30
	56	35
127692-91440	55	31
	56	36
127692-91450	55	32
	56	37
127692-91700	55	44
	56	48
127692-91710	55	45
	56	49
128170-13600	16	33
	26	18 -1
128170-14150	20	19 -1
128170-51300	28	24 -1
128170-91020	44	9
128170-91160	43	5
128170-91310	44	3
128170-91810	44	12
128170-91820	44	13
128170-91830	44	14
128270-77200	42	1
128296-07250	54	2
128371-01800	1	13
128391-77700	55	41
128391-77710	55	40
128391-91440	55	23
128391-91640	55	22
128391-91700	55	35
128391-91740	55	24
128391-91930	55	18
128695-44090	25	18
	27	2
128696-51300	28	24
129100-01620	3	2
	53	7
129100-23910	19	21

Parts No.	Fig. No.	Ref. No.
129100-35140	22	16
129100-59950	34	59
129100-59951	34	59 -1
129100-59990	34	60
129100-61400	35	20 -1
	37	20
129100-61730	35	63
	36	63
	37	42
129100-61820	37	45
129100-61821	35	66 -1
129100-61930	35	42
	36	42
	37	48
129100-77500	10	18
	11	17 -1
	17	22 -1
129100-77510	10	19
	11	18
	17	8
129120-11100	7	13
	8	13
129120-11110	7	14
	8	14
129120-11920	30	22
129150-01200	1	28
129150-01510	2	2
	53	3
129150-01520	2	3
129150-01530	2	4
	53	4
129150-01870	2	11
129150-01880	2	12
	24	22
		22 -1
	53	6
129150-01881	2	12 -2
	24	22 -3
129150-02020	1	24
129150-02450	1	34
129150-02800	1	18 -1
129150-02870	1	38
129150-02930	1	21 -1
129150-02940	1	41
129150-03070	9	7
129150-11230	7	38
	8	37
129150-11260	7	33
	8	32
129150-11270	7	34

Parts No.	Fig. No.	Ref. No.
129150-11270	8	33
129150-11280	7	35
	8	34
129150-11370	7	20
	8	19
129150-11750	7	39
	8	38
129150-11810	7	50
	8	49
129150-11900	7	28
	8	27
129150-11930	7	29
	8	28
129150-11940	7	30
	8	29
129150-14100	15	3
129150-14101	15	3 -1
129150-14200	15	4
129150-14400	15	5
129150-21200	18	3
129150-21500	18	18
129150-22300	19	11
129150-23600	19	17 -1
129150-23610	19	19
129150-25020	15	7
129150-25052	15	8 -1
129150-25055	15	8
129150-25061	15	11 -1
129150-25065	15	11
129150-25100	15	9
129150-25101	15	9 -1
129150-32020	22	10
	53	12
129150-35040	22	1
	53	13
129150-35150	22	23
129150-39150	23	18
129150-39180	23	19
129150-42020	25	3
	53	15
129150-42051	25	1 A
129150-42320	25	2
129150-49810	25	22
129150-59580	34	58
129150-77510	10	10
	11	11
		11 -1
	17	23
	53	10
129155-11260	7	33 -1

Parts No. Index

Parts No.	Fig. No.	Ref. No.
129155-11260	8	32 -1
129155-11270	7	34 -1
	8	33 -1
129155-51020	28	64 -1
	29	64 -1
129155-51140	28	12
	29	12
129155-51180	28	14
	29	14
129155-51200	28	16
	29	16
129155-51270	28	22
	29	22
129155-51280	28	23
		23 -1
	29	23
		23 -1
	35	1
	36	1
	37	1
129155-51320	28	27
	29	27
129155-51340	28	28
	29	28
129155-51370	28	31
	29	31
129155-51380	28	32
		32 -1
	29	32
		32 -1
129155-51390	28	33
		33 -1
	29	33
		33 -1
129155-51410	28	35 -1
	29	35 -1
129155-51420	28	35 A
	29	35 A
129155-51450	28	36 -1
	29	36 -1
129155-51510	28	38
129155-51520	28	39
	29	39
129155-51521	28	39 -1
	29	39 -1
129155-51530	28	40
	29	40
129155-51540	28	41
	29	41
129155-51550	28	42

Parts No.	Fig. No.	Ref. No.
129155-51550	28	42 -1
	29	42
129155-51570	28	45
	29	45
129155-51580	28	46
	29	46
129155-51590	28	47
129155-51591	28	47 -1
	29	47
129155-51600	28	48
		48 -1
	29	48
		48 -1
129155-51790	28	53
	29	53
129155-52050	28	69
	29	67
129155-61010	35	3
	36	3
129155-61011	35	3 -1
129155-61050	35	4
	36	4
129155-61060	35	5
	36	5
	37	5 -1
129155-61070	35	6
	36	6
	37	6 -1
129155-61090	35	7
	36	7
129155-61120	35	8
	36	8
	37	8
129155-61130	35	9
	36	9
	37	9
129155-61140	35	8 A
	36	8 A
	37	10
129155-61201	35	15
	36	15
	37	15
129155-61341	35	19
	36	19
	37	19
129155-61400	35	20
	36	20
129155-61430	35	23
	36	23
	37	23

Parts No.	Fig. No.	Ref. No.
129155-61441	35	24
	36	24
129155-61450	35	25
	36	25
	37	25
129155-61460	35	26
	36	26
	37	26
129155-61470	35	27
	36	27
	37	27
129155-61480	35	28
	36	28
129155-61490	35	29
	36	29
	37	28
129155-61540	35	61
	36	61
	37	40
129155-61810	35	65
	36	65
	37	44
129155-61820	35	66
	36	66
129155-61830	35	67
		67 -1
	36	67
	37	46
129155-61950	35	43
	36	43
129156-44760	25	11
129156-51910	28	54
	29	54
129158-52020	28	72
	29	70
129158-52060	28	74
	29	72
129158-52070	28	75
	29	73
129158-52080	28	76
	29	74
129158-52090	28	77
	29	75
129158-52100	28	70
	29	68
129158-52160	28	78
	29	76
129158-52250	28	79
	29	77
129158-52260	28	80

Parts No.	Fig. No.	Ref. No.
129158-52260	29	78
129158-52270	28	81
	29	79
129158-52350	28	82
	29	80
129158-52360	28	83
	29	81
129158-52370	28	84
	29	82
129158-52380	28	85
	29	83
129170-91610	55	25
129170-91650	55	8
	56	11
129170-91800	55	13
129170-91810	55	17
129170-91930	56	20
129171-07900	7	46 -1
	8	45 -1
129198-07350	5	2 -1
129301-34830	4	20
129400-01600	3	1
129400-01750	4	5
	53	8
129400-28120	18	4
129400-28150	20	16
129400-28240	20	3
129400-77500	11	17
	17	22
129470-01500	2	1
129470-01501	2	1 -1
129470-01510	2	2 -1
	53	3 -1
129470-01530	2	4 -1
	53	4 -1
129470-01550	2	6
	53	5
129470-01620	3	2 -1
	53	7 -1
129470-01700	4	1
129470-01710	4	3
129470-01750	4	5 -1
	53	8 -1
129470-01880	2	12 -1
	24	22 -2
	53	6 -1
129470-03010	9	6
129470-07230	7	45
	8	44
129470-11920	30	23

Parts No. Index

Parts No.	Fig. No.	Ref. No.
129470-12100	10	1
	11	1
	12	1
129470-12120	10	3
	11	3
	12	3
129470-12130	10	5 -1
	11	5 -1
	12	5 -1
	53	9 -1
129470-12200	10	6
	11	6 A
129470-12210	11	6
129470-12300	10	7
	11	7
	12	6
129470-12301	11	7 -1
	12	6 -1
129470-12320	10	9
	11	9
	12	8
129470-14010	15	1
129470-14011	15	1 -1
129470-32000	22	9 -1
129470-34850	4	11
129470-34860	4	12
129470-35040	22	1 -1
	53	13 -1
129470-35100	22	12
129470-35101	22	12 -1
129470-35120	22	22
	53	14
129470-35121	22	22 -1
	53	14 -1
129470-35130	22	13
129470-39451	23	16 -1
129470-39600	43	8
129470-42000	25	1
129470-42001	25	1 -1
129470-42500	24	1
129470-42520	24	3
129470-42530	24	4
129470-42531	24	4 -1
129470-42540	24	5
129470-42800	24	18
129470-44110	26	8
129470-44440	26	9
129470-44450	26	10
129470-49040	27	6
129470-49200	25	13

Parts No.	Fig. No.	Ref. No.
129470-49220	25	14
129470-49240	25	15
129470-49250	25	16
129470-49260	25	12
129470-49540	25	19
129470-49550	25	20 -1
129470-49801	25	21
129470-49810	25	22 -1
129470-51040	28	4
	29	4
129470-51060	28	6
	29	6
129470-51080	28	7
	29	7
129470-51101	28	9
	29	9
129470-53001	30	4
129470-53002	30	4 -1
129470-53003	30	4 -2
129470-54510	31	2
	32	2
	33	2
129470-54551	31	5
129470-54650	31	8
	32	8
	33	8
129470-59120	34	42 -1
		43
129470-59530	34	65
129470-59540	34	68
129470-59810	30	27
129470-59811	30	27 -1
129470-59820	30	29
129470-59821	30	29 -1
129470-59830	30	31
129470-59831	30	31 -1
129470-59840	30	33
129470-59841	30	33 -1
129470-61650	35	62
	36	62
129470-61800	35	64
	36	64
129470-61801	35	64 -1
129470-67100	40	1
129470-67200	40	2 -1
129470-67550	38	9
129470-67560	38	11
129470-77340	42	25
129470-77590	10	20
	11	11 -2

Parts No.	Fig. No.	Ref. No.
129470-77590	17	23 -1
	53	10 -1
129470-91190	55	16
	56	6
129470-91200	51	42
129470-91250	51	18
129470-92300	52	1
129470-92310	52	2
129470-92320	52	3
129472-01100	1	12
129472-03090	9	19
129472-12850	11	10
129472-13520	14	3 -1
129472-14010	15	2
129472-14011	15	2 -1
129472-18090	13	2 -1
	16	32 -1
	53	11 -1
129472-39020	23	1
129472-39600	23	20
129472-39620	23	22
129472-53000	30	5
129472-54550	32	5
129474-18100	17	1
129474-18110	17	2
129474-18120	17	3
129474-18130	17	4
129474-18140	17	5
129474-18160	17	7
129474-18170	17	6
129474-18180	17	2 -1
129474-18241	17	1 D
129474-33010	21	6
129474-33040	21	9
129474-33050	21	7
129474-33500	21	1
129474-39200	23	4
129474-39201	23	4 -1
129474-39300	23	7
129474-39450	23	13
129474-49010	27	3
129474-49020	17	18
129474-49030	27	5
129474-49110	27	12
129490-07250	54	1
129490-07450	5	9
129490-08100	6	1
129490-08110	6	2
129490-08120	6	3
129490-08130	6	4

Parts No.	Fig. No.	Ref. No.
129490-13070	13	1
129490-13300	13	3 -1
129490-21000	18	1
129490-21590	18	14
129490-21591	18	14 -1A
129490-21650	18	8
129490-28010	20	1
129490-28030	20	4
129490-28040	20	5
129490-33000	21	5
129490-33030	21	8
129490-35090	22	2
129490-39350	23	32
129490-49050	27	7
129490-49060	27	9
129490-49070	27	11
129490-77340	42	25 -1
129490-77910	43	14
129491-01360	1	31 -1
129491-42560	24	14
129492-13070	14	1
129492-13080	14	2
129494-18000	16	1 -1
129494-49050	27	8
129494-49060	27	10
129494-81100	47	1
129494-81200	47	2
129494-81300	47	3
129495-07040	5	10
129495-12210	10	15
129495-12550	10	7 -1
129495-22000	19	1
129495-22001	19	1 -1
129495-22002	19	1 -2
129495-22510	19	7 -4
129495-39300	23	10
129495-39320	23	7 -1
		10 -1
129495-39350	23	33
129495-39630	23	32 -1
129495-44000	26	2
129495-49010	27	4
129495-55010	34	1
129495-55600	34	7 -1
129495-55620	34	8 -1
129495-59300	34	62
129495-59550	34	56
129495-59551	34	56 -1
129495-59560	34	57
129495-59561	34	57 -1

Parts No. Index

Parts No.	Fig. No.	Ref. No.
129495-66550	38	5
129495-67300	50	1
129495-67550	38	10
129495-77330	42	24
129495-77400	44	18
129495-77500	44	19
129495-77920	43	2
129495-77921	43	2 -1
129495-91010	44	16
129495-91100	44	1
129495-91120	44	10
129495-91130	55	1
129495-91150	44	15
129495-91200	51	1
129495-91220	51	38
129495-91260	55	5
129495-91860	55	6
129497-03100	9	20
129497-03130	9	23
129497-18000	16	1
129497-22000	19	2
129497-22001	19	2 -1
129497-61450	35	27 -1
129499-18020	16	31
129499-22020	19	3
129499-22040	19	3 -1
129499-51300	29	24
129499-51301	29	24 -1
129499-53001	30	6
129499-53002	30	5 -1
		6 -1
129499-54550	32	5 -1
		5 -2
	33	5
129499-59810	30	28
129499-59811	30	28 -1
129499-59812	30	28 -2
129499-59820	30	30
129499-59821	30	30 -1
129499-59822	30	30 -2
129499-59830	30	32
129499-59831	30	32 -1
129499-59832	30	32 -2
129499-59840	30	34
129499-59841	30	34 -1
129499-59842	30	34 -2
129499-61440	35	24 -1
	36	24 -1
	37	24
129499-61500	35	30

Parts No.	Fig. No.	Ref. No.
129499-61500	36	30
129499-61650	37	41
129499-61890	35	70
	37	47
129550-11240	7	31
	8	30
129550-11290	7	31 A
	8	30 A
129550-11310	9	3
129550-12110	10	5
	11	5
	12	5
	53	9
129550-13110	26	23
	53	16
129550-39450	23	16
129550-42350	25	4
129553-01340	1	30
129553-01350	1	29
	53	2
129553-01360	1	31
129553-32000	22	9
129553-39190	23	15
129553-39650	1	36
129555-11241	7	31 -1
	8	30 -1
129555-51400	28	34
	29	34
129555-51410	28	35
	29	35
129555-51450	28	36
	29	36
129555-51500	28	37
	29	37
129555-51700	28	49
	29	49
129555-51710	28	50
	29	50
129555-51750	28	51
	29	51
129555-51760	28	52
	29	52
129570-91850	55	33
129573-18120	17	3 -1
129573-25900	28	86
	29	84
129573-42500	24	1 -1
129573-42501	24	1 -2
129573-42540	24	5 -1
129573-77932	43	2 -2

Parts No.	Fig. No.	Ref. No.
129573-77951	43	15
129573-77960	43	16
129574-77700	55	37
	56	43
129574-77700-1	55	37 -1
129574-77710	55	38
	56	44
129574-77710-1	55	38 -1
129574-77720	55	39
	56	45
129574-77720-1	55	39 -1
129574-77850	55	42
	56	46
129574-77860	55	43
	56	47
129574-91200	55	2
	56	2
129574-91210	56	5
129574-91270	56	19
129574-91410	55	9
	56	12
129574-91420	55	20
	56	22
129574-91430	56	25
129574-91440	56	28
129574-91530	55	53
	56	50
129574-91540	55	54
	56	51
129574-91550	55	55
	56	52
129574-91600	56	42
129574-91610	56	30
129574-91620	55	19
	56	21
129574-91630	56	24
129574-91640	56	27
129574-91650	55	29
	56	34
129574-91710	55	26
	56	31
129574-91720	55	21
	56	23
129574-91730	56	26
129574-91740	56	29
129574-91750	55	27
	56	32
129574-91770	55	28
	56	33
129574-91780	55	14

Parts No.	Fig. No.	Ref. No.
129574-91780	56	17
129574-91790	55	15
	56	18
129574-91800	56	16
129574-91810	56	7
129574-91870	55	3
	56	3
129574-91900	55	46
129574-91950	55	47
129574-91960	55	48
	56	55
129574-91970	55	49
	56	56
129590-18520	12	12
129590-21590	18	14 -1B
129590-22510	19	7 -3
129590-34860	4	12 -1
129590-39450	23	13 -1
129590-59200	22	26
129590-67101	40	1 -1
129590-67110	40	15 -1
129590-67140	40	18
129590-67310	38	1 -1
129590-67420	39	3
129590-67450	5	13
129590-91160	56	1
129590-91850	56	38
129595-18130	17	4 -1
129595-18131	17	4 -2
129595-18140	17	24
129595-18141	17	24 -1
129595-18150	17	25
129595-18151	17	25 -1
129595-18160	17	15 -1
129595-53000	30	6 -2
129595-61010	37	3
129595-61011	37	3 -1
129595-61012	37	3 -2
129595-61050	37	4
129595-61060	37	5
129595-61070	37	6
129595-61080	37	7
129595-61200	35	15 -1
	37	15 -1
129595-61500	37	29
129595-61600	37	66
129595-61610	37	67
129595-61620	37	68
129595-61630	37	69
129595-61631	37	69 -1

Parts No. Index

Parts No.	Fig. No.	Ref. No.
129595-61640	37	89
129595-61660	37	70
129595-61670	37	71
129595-61680	37	72
129595-61690	37	73
129595-61691	37	73 -1
129595-61800	37	43
129595-61801	37	43 -1
129595-61802	37	43 -2
129595-61820	37	45 -1
129595-61821	37	45 -2
129595-61900	37	74
129595-61901	37	74 -1
129595-61910	37	75
129595-61911	37	75 -1
129595-61920	37	81
129595-61931	37	76 -1
129595-61950	37	77
129595-61951	37	77 -1
129595-61960	37	78
129595-61961	37	78 -1
129595-67310	39	2
129599-12300	11	7 -2
	12	6 -2
129792-13520	14	3
129792-18090	13	2
	16	32
	53	11
129792-39610	23	21
129795-01780	3	3
129795-01800	2	10
129795-01950	1	14
	2	13
129795-01960	20	18
129795-02411	1	25
129795-11080	7	5
	8	5
129795-11090	7	6
	8	6
129795-11120	7	15
	8	15
129795-11180	7	16
	8	16
129795-21660	18	9
129795-21661	18	9 -1
129795-42670	24	7
129795-49550	25	20
129795-54800	32	9
	33	9
129795-59100	34	52

Parts No.	Fig. No.	Ref. No.
129795-67110	40	15
129795-67200	40	2
129795-67310	38	1
129795-77210	42	30
129795-91800	44	17
	51	41
129C26-01890	2	12 -3
135210-39140	23	19 -1
135210-61090	13	4
135665-07200	5	1
145410-46190	24	8
148616-07350	54	3
157854-91270	51	47
170903-12900	43	19
171008-77010	41	30
171008-77400	41	34
171008-77440	41	38
171008-77450	41	39
171008-77460	41	40
171008-77470	41	41
171008-77480	41	42
171008-77490	41	43
171008-77500	41	31
171008-77510	41	32
171008-77520	41	33
171008-77531	41	44
171008-77540	41	45
171008-77571	41	48
171008-77640	41	55
171008-77650	41	56
171008-77660	41	57
171008-77670	41	58
171008-77750	41	65
171051-01921	1	4
174307-51170	28	13
	29	13
174307-51560	28	44
		44 -1
	29	44
174307-51700	37	30
177040-03120	18	19
177040-03121	18	19 -1
177040-03130	18	12
177040-09050	45	8
177055-02950	5	14
177058-02450	5	15
177074-06350	43	12
194250-51660	43	19 -1
22117-040000	35	44
		44 -1

Parts No.	Fig. No.	Ref. No.
22117-040000	36	44
		44 -1
	37	52
22117-060000	37	79
22117-080000	2	21
	38	7
22137-080000	17	26
	34	21
	42	26
	43	21
22137-100000	9	24
	34	2
		3
22190-080000	37	80
22190-100000	35	45
		45 -1
	36	45
	37	53
22212-140000	6	10
22217-050000	28	57
		57 -1
	29	57
	35	46
	36	46
	37	54
	40	7
	44	7
22217-060000	28	58
	29	58
	43	22
22217-080000	4	14
	14	4
	17	1 F
	20	21
	22	6
	25	10
	30	36
	34	22
	40	8
	43	20
22217-100000	4	21
	9	25
22217-120000	28	87
	29	85
22242-000100	40	6
22242-000320	31	12
	32	12
	33	12
22252-000420	24	9
22272-000040	35	47

Parts No.	Fig. No.	Ref. No.
22272-000040	36	47
	37	38
22272-000060	35	48
	36	48
	37	55
		90
22282-120000	35	49
	36	49
22287-060000	28	59
	29	59
	37	82
22287-120000	28	60
	29	60
	35	49 -1
	37	56
22312-080160	1	15
	3	5
	18	17
22351-030010	1	27
22351-030016	35	50
	36	50
22351-050010	28	61
	29	61
22351-060012	1	26
	7	42
	8	41
22360-040000	37	57 -1
22360-050000	35	51
	36	51
	37	57
22360-080000	38	8
	50	7
22372-060000	37	83
22414-250150	38	2
	40	9
22451-060000	13	5
22512-070140	15	6
	18	5
22512-070160	18	11
22717-410160	51	10
22724-800380	41	27
23000-013000	12	15
	34	61
23000-016000	34	23
		53
23000-019000	9	16
23000-025000	9	17
	23	24
23000-028000	9	26
23000-035000	27	14

Parts No. Index

Parts No.	Fig. No.	Ref. No.
23000-035000	27	19
23000-041000	25	17
	49	13
23000-054000	10	11
	11	12
	12	9
23000-060000	11	13
	17	9
		9 -1
23000-070000	17	10
23010-013000	26	30
23061-070300	1	33
	17	21
	26	25
	27	15
23072-101000	49	12
23072-102000	27	20
23080-013000	34	45
		63
23217-050000	14	9
23297-160081	9	18
23297-250081	27	16
23341-150000	23	6
		9
		12
23414-050000	35	52
	36	52
	37	58
23414-080000	2	23
	34	40
		66
		40
23414-100000	10	16
	11	19
	12	16
		18
		23
23414-120000	34	46
		55 -1
23414-130000	17	1 G
23414-140000	34	24
		50
		64
23414-160000	4	15
23414-170000	26	21
23414-180000	22	21
23414-200000	23	27
23414-240031	31	14
	32	14
	33	14

Parts No.	Fig. No.	Ref. No.
23421-210000	9	27
23857-030000	1	37
23857-060000	34	47
23857-080000	34	25
		51
		23
		28
23857-150000	23	28
23871-005000	20	20 -1
23871-010000	1	6 -1
	11	6 B
	17	2 B
	43	11
23871-020000	22	15
	43	10
23871-030000	1	7
	4	2
	7	10
	8	10
23887-080002	34	39
23887-100002	35	54
	36	54
	37	60
23893-030002	26	20
23894-020002	17	1 H
24101-062024	24	11
24311-000060	49	11
24311-000080	37	84
24311-000110	37	85
24311-000120	9	15
	34	16
		36
24311-000140	20	22
24311-000150	24	13
24311-000320	2	9
	9	13
24311-240100	35	72
	37	84 -1
24314-000180	23	29
24321-000300	18	13
24321-000750	21	11
	26	17
24341-000160	28	62
		62 -1
	29	62
		62 -1
24341-000260	2	14
24341-000530	9	9
24341-000600	24	6
24421-203508	24	12
25132-004500	25	5
26022-050102	37	63 -1

Parts No.	Fig. No.	Ref. No.
26022-060122	37	39
26022-060162	29	3 -1
26106-060082	43	17 -1
26106-060102	25	6
	30	37
	43	17
26106-060122	2	15
26106-060162	2	15 -1
	23	30
	37	86 -1
26106-060182	37	49
26106-060202	23	34
	30	38
		38 -1
	35	55
	36	55
	37	61
26106-060322	41	22 -1
		66
26106-060402	41	67
26106-080102	34	67
26106-080122	2	16
	4	18
	10	13 -1
	20	23
	40	10
		19
26106-080142	7	47
	8	46
	21	2
	22	7
	26	16
26106-080162	1	35
	2	24
	4	16
	7	48
	8	47
	14	5
	18	20
	20	24
	21	3
	24	19
	27	17
	43	7
26106-080202	9	10
	10	12
	11	14
	12	10
	14	6
	17	11

Parts No.	Fig. No.	Ref. No.
26106-080202	17	13
	22	24
	24	20
	27	18
	30	39
26106-080252	4	6
		7
		8
	7	43
	8	42
	21	4
		12
	25	23
	26	19
	40	11
26106-080352	10	13
	22	8
	25	24
	42	27
26106-080402	4	9
	9	11
	10	21
	11	15
	17	12
	34	26
26106-080452	2	17
	15	12
26106-080502	7	27
	8	26
	17	14
26106-080552	2	18
	22	25
	25	7
		8
26106-080602	20	25
26106-080652	25	9
26106-080702	4	10
26106-080802	17	27
	20	26
26106-080852	2	19
26106-080952	17	15
26106-081002	26	26
26106-081202	42	28
26106-100122	10	17
	11	20
	12	17
26106-100162	43	18
26106-100202	6	5
	34	4
		27

Parts No. Index

Parts No.	Fig. No.	Ref. No.
26106-100252	4	4
		19
		4
26106-100302	3	4
		46
		47
26106-100552	34	5
		9
26113-100402	9	28
26113-120502	14	10
26113-120602	14	11
26116-050142	38	3
		39
		4
26116-050202	39	8
		5
26116-050309	28	63
		29
26116-080302	49	14
26116-120302	6	6
		41
26203-060102	24	10
26213-080182	26	18
26216-060142	28	64
		29
26216-060202	7	64
		22
26216-080182	2	-1
		8
26216-080222	7	20
		8
26216-080302	7	21
		8
26216-081002	7	22
		8
26226-080182	7	23
		8
26226-080502	8	40
		39
26226-080502	17	16
26226-100222	46	5
		47
26366-060002	30	40
		4
26366-080002	2	22
		17
	7	-1
		25
	8	24
		25
	9	5
		10
	10	14
		11
	11	16
		12
	12	11
		17
	17	J
	17	

Parts No.	Fig. No.	Ref. No.
26366-080002	24	21
		26
	34	28
		35
		56
		56
		62
		13
		7
26367-060002	7	24
		-1
	8	23
		-1
26450-060252	22	11
26476-060142	10	4
		11
	12	4
		55
26556-060122	55	51
		56
26557-040122	42	18
		28
26557-050102	29	65
		29
	35	57
		36
	37	57
		63
26557-050122	40	12
26557-050142	42	14
26557-060162	28	66
	29	3
		37
26559-060122	55	86
		50
	56	57
		49
26664-080002	49	7
26667-080002	37	87
26703-080002	13	3
		14
	14	7
		16
	16	34
		49
26703-120002	14	15
		12
26706-100002	34	6
		6
		-1
	29	6
		29
26713-080002	16	35
26713-100002	9	29
26716-050002	40	14
	44	6
		6
26716-060002	28	67
		29
	29	38
		55
	55	52
		56
26716-080002	7	59
		7
	8	24
		23
	42	29

Parts No.	Fig. No.	Ref. No.
26716-100002	46	6
		47
26716-120002	28	88
		29
		86
		4
26716-140002	52	4
		6
26716-140002	6	11
26756-050002	38	4
		39
	50	6
		9
26756-060002	23	35
		35
	36	59
		59
26756-080002	37	64
		7
	8	41
		40
	37	88
		65
26776-120002	37	65
26777-120002	35	58
		60
	36	58
		60
27225-100140	1	8
27231-500000	1	9
27241-100000	7	32
		A
	8	31
		A
27241-120000	1	10
27241-220000	7	11
	8	11
		11
27241-280000	26	6
27241-300000	1	11
27241-400000	7	12
		8
	12	12
		26
	26	7
		45
28110-100130	45	3
28110-120140	45	4
28110-170190	45	5
28110-220240	45	6
41650-550300	34	7
41650-550800	34	17
41710-000410	40	16
41710-001300	39	7
41730-501420	40	20
41730-501421	40	20
41730-501421	40	20
41730-501500	40	21
42220-008960	5	8
42430-550060	34	34
43100-500550	14	13
43400-500390	37	58
43400-500410	23	25
43400-500430	23	25
43400-500430	35	45
	45	-2

Parts No.	Fig. No.	Ref. No.
43400-500430	37	53
		-1
43400-500450	35	53
		36
		53
		37
43400-500490	28	59
		68
	29	66
		27
43530-500570	27	22
43580-500680	43	8
43623-500030	34	-1
43662-025030	27	30
43720-001220	27	21
45511-501250	22	27
46150-003610	34	18
46150-003610	51	30
729150-02800	1	18
729150-02930	1	21
729150-11650	7	36
	8	35
		19
729150-23600	19	17
729150-23701	19	13
729402-11650	7	36
		-1
	8	35
		-1
729402-23100	19	13
729402-23100	19	13
729470-11520	9	1
729470-22500	19	7
	19	7
		-2
729470-53101	30	1
729470-53102	30	1
729470-53103	30	-1
729470-53103	30	-2
729470-54101	31	1
729470-54101	31	1
729470-92100	45	1
729470-92600	53	1
729470-92600	53	1
729470-92601	53	1
729470-92601	53	-1
729472-01560	1	1
729472-53100	30	2
729472-54100	32	1
729490-28510	20	6
729490-28520	20	11
729495-11700	8	1
729495-44500	26	1
729495-51350	28	1
729495-51350	28	1
729497-11700	7	1
729497-11701	7	1
729497-11701	7	-1
729497-51350	28	2
729499-11700	8	1
729499-11700	8	-1
729499-51350	29	1
729499-51350	29	1
729499-51390	29	1
729499-51390	29	-1
729499-53101	30	3
729499-53102	30	2
	30	-1
		3
	30	2
		-1
729499-54100	32	1
729499-54100	32	-1

Parts No. Index

Parts No.	Fig. No.	Ref. No.
729499-54100	32	1 -2
	33	1
729550-22501	19	7 -1
729595-53100	30	3 -2
919400-02500	49	1
947859-20010	48	12
977770-01212	53	17
977782-00121	48	1
X0600160122	34	38 -1
X0630412	41	23
X21142215	41	6
X2114255110	41	35
X2114555500	41	62
X21145866	41	22
X2114955020	41	63
X21201110	41	4
X21201115	41	2
X21201313	41	10
X21201605	41	19
X212026004	41	16
X21202601	41	17
X21202602	41	18
X212037002	41	20
X21204259	41	5
X21204302	41	12
X21204401	41	14
X21204810	41	21
X21205310	41	8
X21205400	41	13
X212063001	41	11
X21207100	41	3
X21207312	41	9
X21209311	41	7
X2130350900	41	36
X213065002	41	15
X2240410100	41	64
X2740134001	34	31 -1
X3916003482	17	1 K
X6201SD	42	3
X6302BM	42	17
XB131008	16	7
XB495469B	42	22
XBP1901300	48	3
XBP1901820	48	7
XBP1901830	48	8
XBP1901910	48	9
XBP1901920	48	10
XBP1901950	48	11
XBP1902200	48	2 -1
XBP1902400	48	4

Parts No.	Fig. No.	Ref. No.
XBP1902810	48	6
XBP1905500	48	5
XBP2901200	48	2
XL12013262	42	10
XL1254801	42	20
XL1255801	42	21
XL13513134	42	13
XL13513152	42	8
XL13514042	42	16
XL1352318	42	11
XL13525001	42	19
XL1353320	42	7
XL13542001	42	4
XL1354326	42	9
XL13561001	42	2
XL13563003	42	5
XL1358301	42	6
XL1359400	42	15
XN131004	16	4
XN131005	16	5
XN131008	16	6
XN131106	16	8
XN131108	16	9
XN133001	16	23
XN133204	16	22
XN133207	16	28
XN133504	16	24
XN133505	16	25
XN133723	16	13
XN134070	16	11
XN134205	16	14
XN136504	16	10
XN193653	16	29
XN977006	16	26
XN977007	16	27
XNB133206	16	26 -1
XNB133208	16	28 -1
XNB134007	16	13 -1
XNE923300	16	20 -1
XNE924350	16	11 -1
XNN131570	16	2 -1
XNN134035	16	14 -1
XNN136604	16	10 -1
XNN136606	16	10 -2
XNN137006	16	15 B
		17
XNN137007	16	15 A
		16
XNN137055	16	15 C
		18

Parts No.	Fig. No.	Ref. No.
XNN138872	16	15
XNN138980	16	15 -1
XNN139724	16	19
XNN139810	16	2
XNN139812	16	20
XNN193655	16	30
XTR1Z63	42	12
XTST25S001	49	2
XTST25S002	49	3
XTST25S003	49	4
XTST25S004	49	5
XTST25S005	49	6
XTST25S007	49	8
XTST25S008	49	9
XTST25S009	49	10

Parts No.	Fig. No.	Ref. No.
-----------	----------	----------