

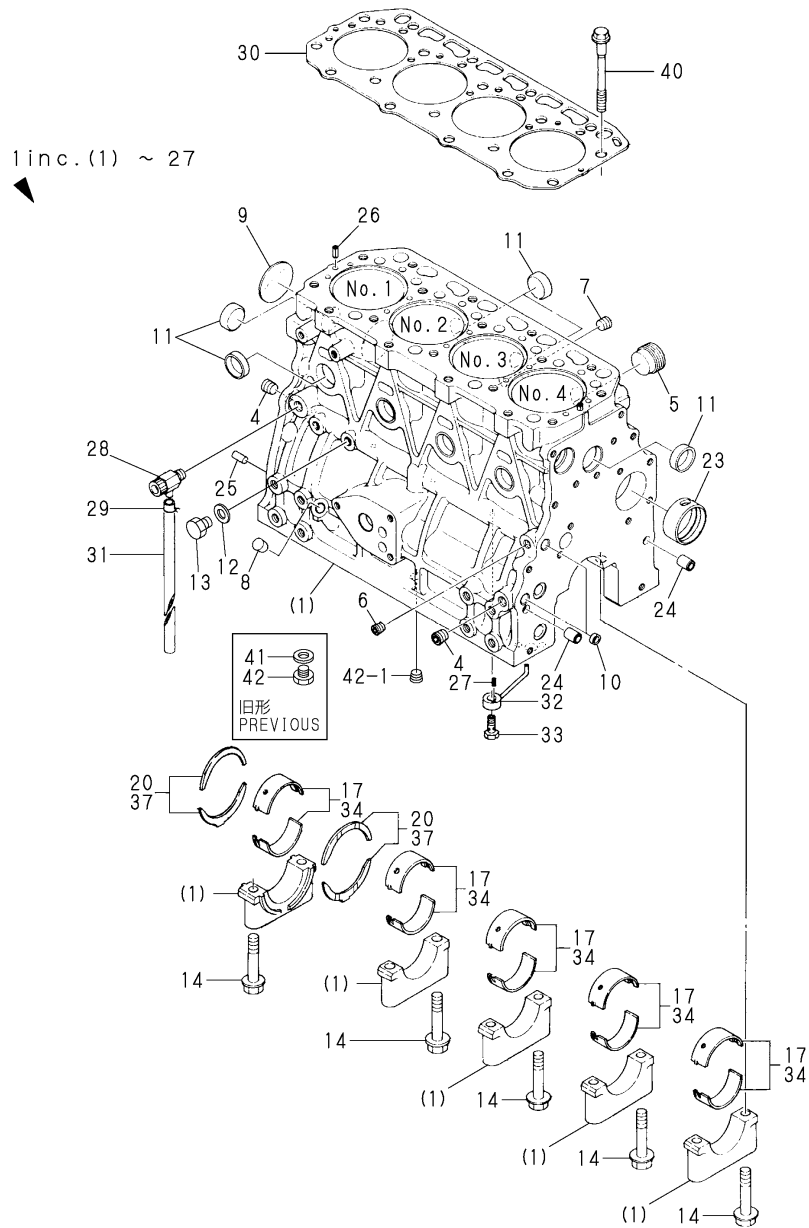


Spare parts catalog- Yanmar engines

(A) = 4JH3-HTE

(B) = 4JH3-DTE

Fig.1.CYLINDER BLOCK

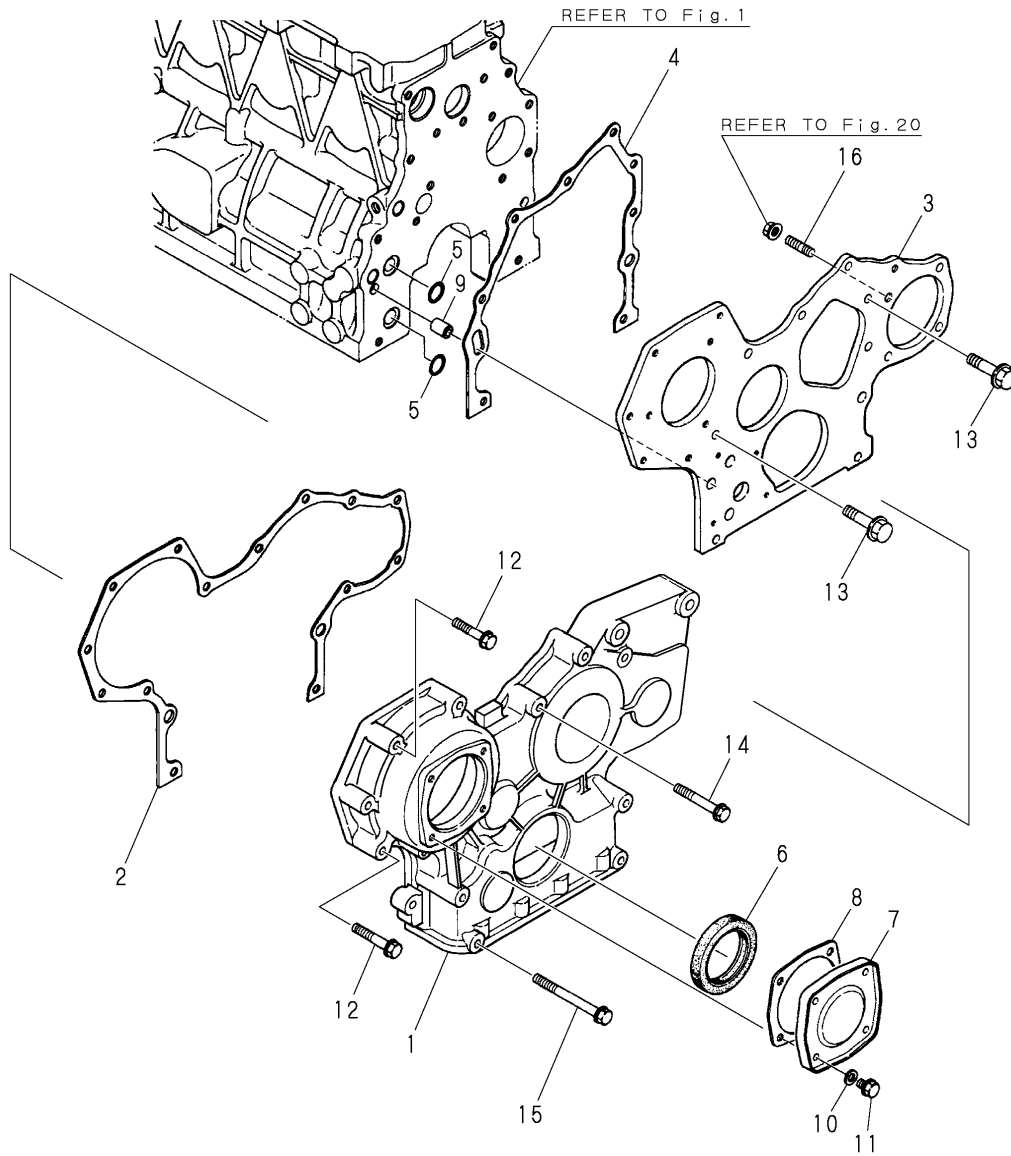


(A)=4JH3-HTE (D)=
 (B)=4JH3-DTE (E)=
 (C)= (F)=

REF.	LEV.	PARTS NO.	DESCRIPTION	QTY						I	R
				(A)	(B)	(C)	(D)	(E)	(F)		
1	1	729693-01560	CYLINDER BLOCK	1	1						
4	3	124160-01910	PLUG PT1/4	2	2						
5	3	171051-01921	PLUG	1	1						
6	3	23876-010000	PLUG PT1/8,SCREW	1	1						
7	3	23876-030000	PLUG PT3/8,SCREW	1	1						
8	3	27225-100140	PLUG 10X14	1	1						
I	8-1	3	119309-01810	PLUG	1	1					R
		(A=E/#22099)	(B=E/#31705)								
9	3	27231-500000	PLUG 50	1	1						
I	9-1	3	129001-01250	PLUG 50	1	1					N
		(A=E/#20511)	(B=E/#30479)								
10	3	27241-120000	PLUG 12	2	2						
11	3	27241-300000	PLUG 30	8	8						
12	2	23414-100000	GASKET 10, ROUND	1	1						
13	2	23887-100002	PLUG 10	1	1						
14	2	129150-02020	BOLT, METAL CAP	10	10						
17	2	129150-02800	MAIN METAL	5	5						
I	17-1	2	129690-02800	MAIN BEARING	5	5					N
		(A=E/#20929)	(B=E/#30857)								
20	2	129150-02930	METAL, THRUST	2	2						
23	2	129795-02411	BUSH, CAMSHAFT	1	1						
24	2	129795-01950	PIPE, KNOCK L=18	2	2						
25	2	22312-080160	PARALLEL PIN 8X 16	2	2						
26	2	22351-060012	SPRING PIN 6X12	2	2						
27	2	22351-030010	SPRING PIN 3X10	4	4						
28	1	128371-01800	COCK ASSY 1/4	1	1						
29	1	124460-77680	RETAINER	1	1						
30	1	129693-01330	GASKET,(NON-ASB.)	1	1						
31	1	23061-070300	PIPE 7X 300	1	1						
32	1	129553-39650	NOZZLE	4	4						
33	1	23857-030000	JOINT BOLT 3	4	4						
34	1	129150-02870	MAIN METAL US=0.25	5	5						1
I	34-1	1	129690-02870	MAIN METAL 0.25 U.S	5	5					N 1
		(A=E/#20929)	(B=E/#30857)								
37	1	129150-02940	METAL,THRUST.25(2PIE	2	2						2
40	1	129150-01200	STUD, CYL. HEAD	18	18						
I	41	1	23414-120000	GASKET 12, ROUND	1	1					Z
		(A=FROM 1ST)	(B=FROM 1ST)								
42	1	23887-120002	PLUG 12,HEX.	1	1						
I	42-1	1	124160-01910	PLUG PT1/4	1	1					S
		(A=FROM 1ST)	(B=FROM 1ST)								

Remarks
 (1)UNDER SIZED(U.S=0.25)PART.
 (2)OVER SIZED(O.S=0.25)PART.

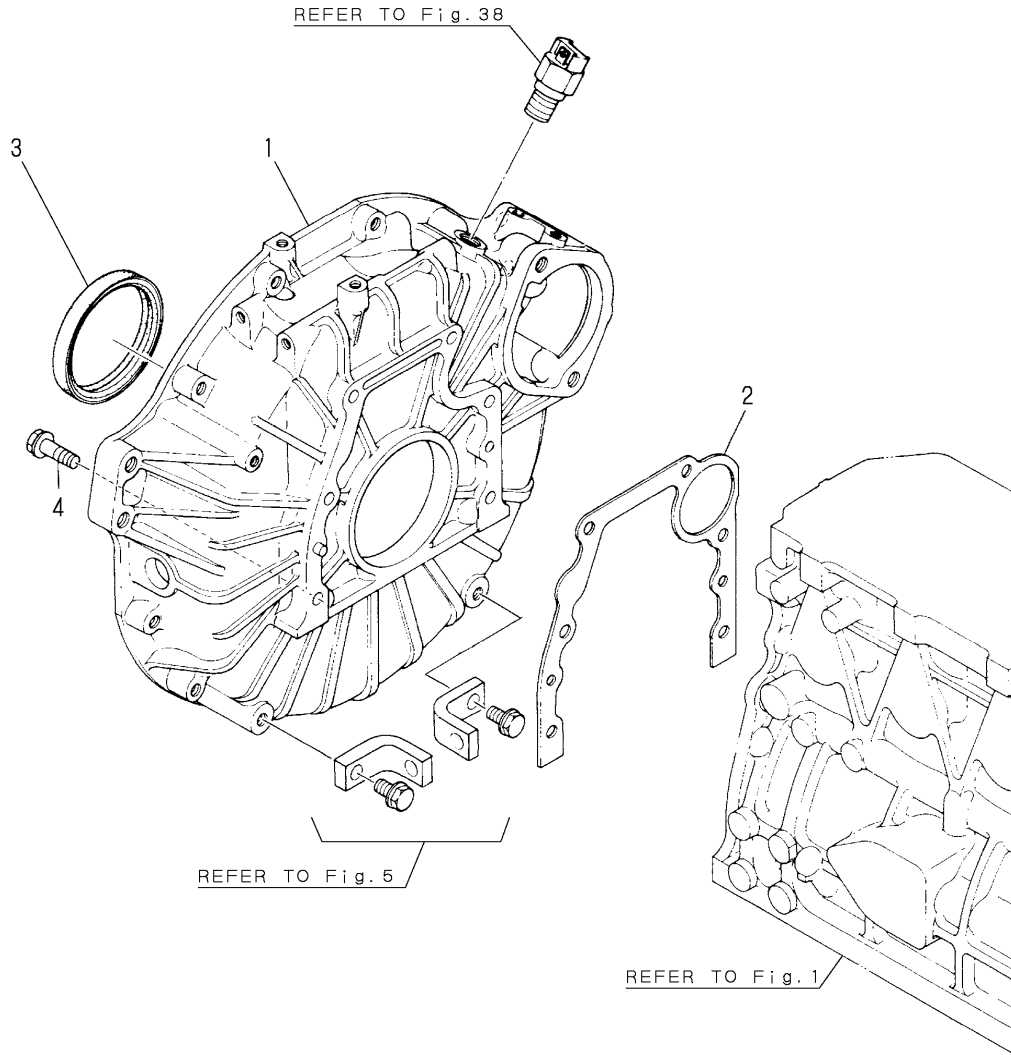
Fig.2.GEAR HOUSING



(A)=4JH3-HTE (D)=
 (B)=4JH3-DTE (E)=
 (C)= (F)=

REF.	LEV.	PARTS NO.	DESCRIPTION	QTY						I	R
				(A)	(B)	(C)	(D)	(E)	(F)		
1	1	129673-01500	GEAR CASE	1	1						
2	1	129693-01510	GASKET	1	1						
3	1	129693-01520	FLANGE	1	1						
4	1	129470-01531	GASKET	1	1						
5	1	129470-01550	O-RING	2	2						
6	1	129795-01800	SEAL, OIL	1	1						
7	1	129150-01870	COVER	1	1						
8	1	129150-01881	GASKET, (NON ASB.)	1	1						
9	1	129795-01950	PIPE, KNOCK L=18	2	2						
10	1	23414-080000	GASKET 8, ROUND	4	4						
11	1	26106-080122	BOLT M 8X 12 PLATED	4	4						
12	1	26106-080162	BOLT M 8X 16 PLATED	3	3						
13	1	26106-080452	BOLT M 8X 45 PLATED	2	2						
14	1	26106-080552	BOLT M 8X 55 PLATED	3	3						
15	1	26106-080852	BOLT M 8X 85 PLATED	4	4						
16	1	26216-080182	STUD M 8X 18 PLATED	1	1						

Fig.3.FLYWHEEL HOUSING

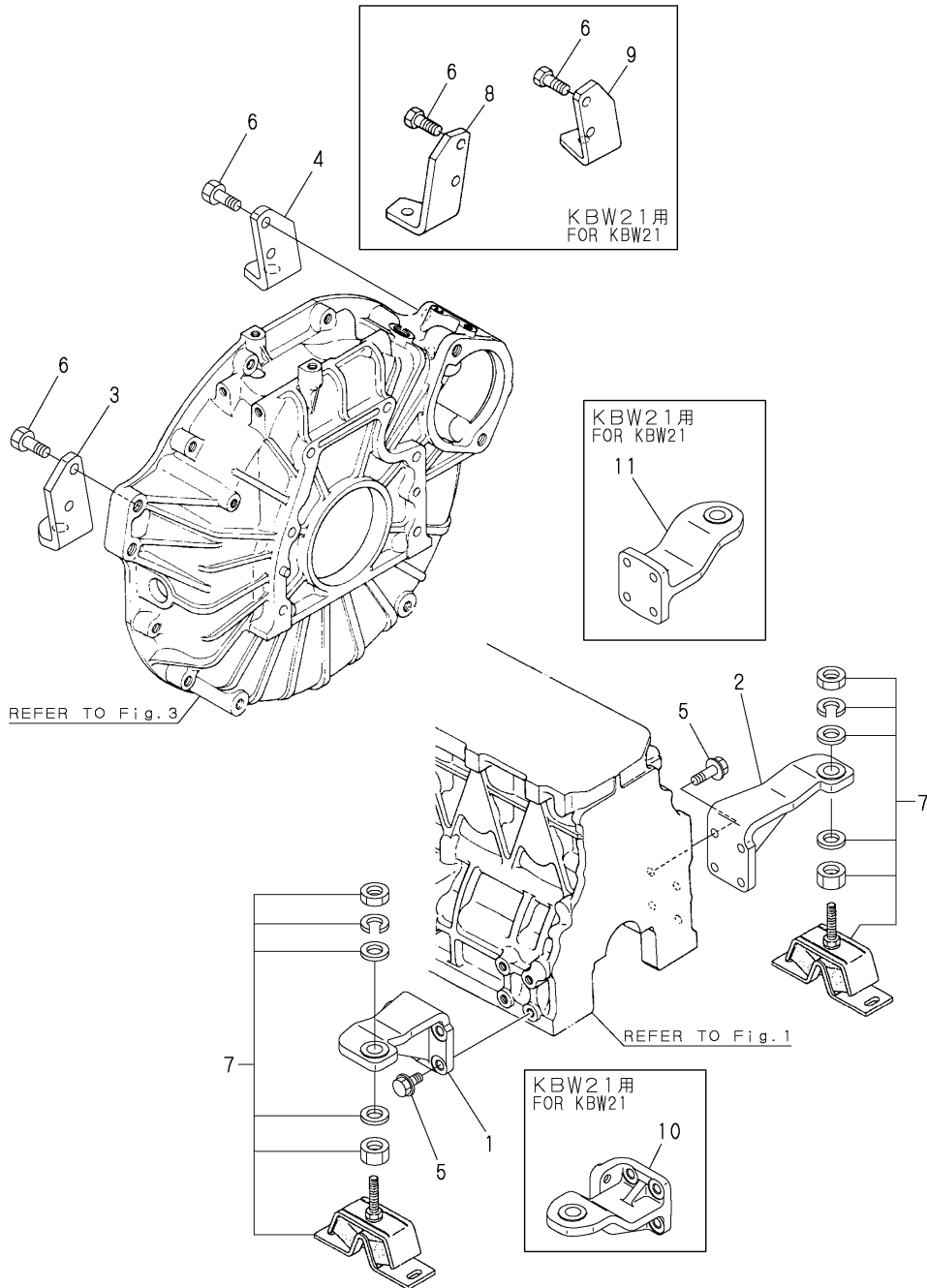


Y00R4761 3.FLYWHEEL HOUSING

(A)=4JH3-HTE (D)=
 (B)=4JH3-DTE (E)=
 (C)= (F)=

REF.	LEV.	PARTS NO.	DESCRIPTION	QTY						I	R	
				(A)	(B)	(C)	(D)	(E)	(F)			
1	1	129673-01600	HUSING, FLYWHEEL	1	1							
2	1	129470-01620	GASKET	1	1							
3	1	129795-01780	SEAL, OIL	1	1							
4	1	26106-100302	BOLT M10X 30 PLATED	6	6							

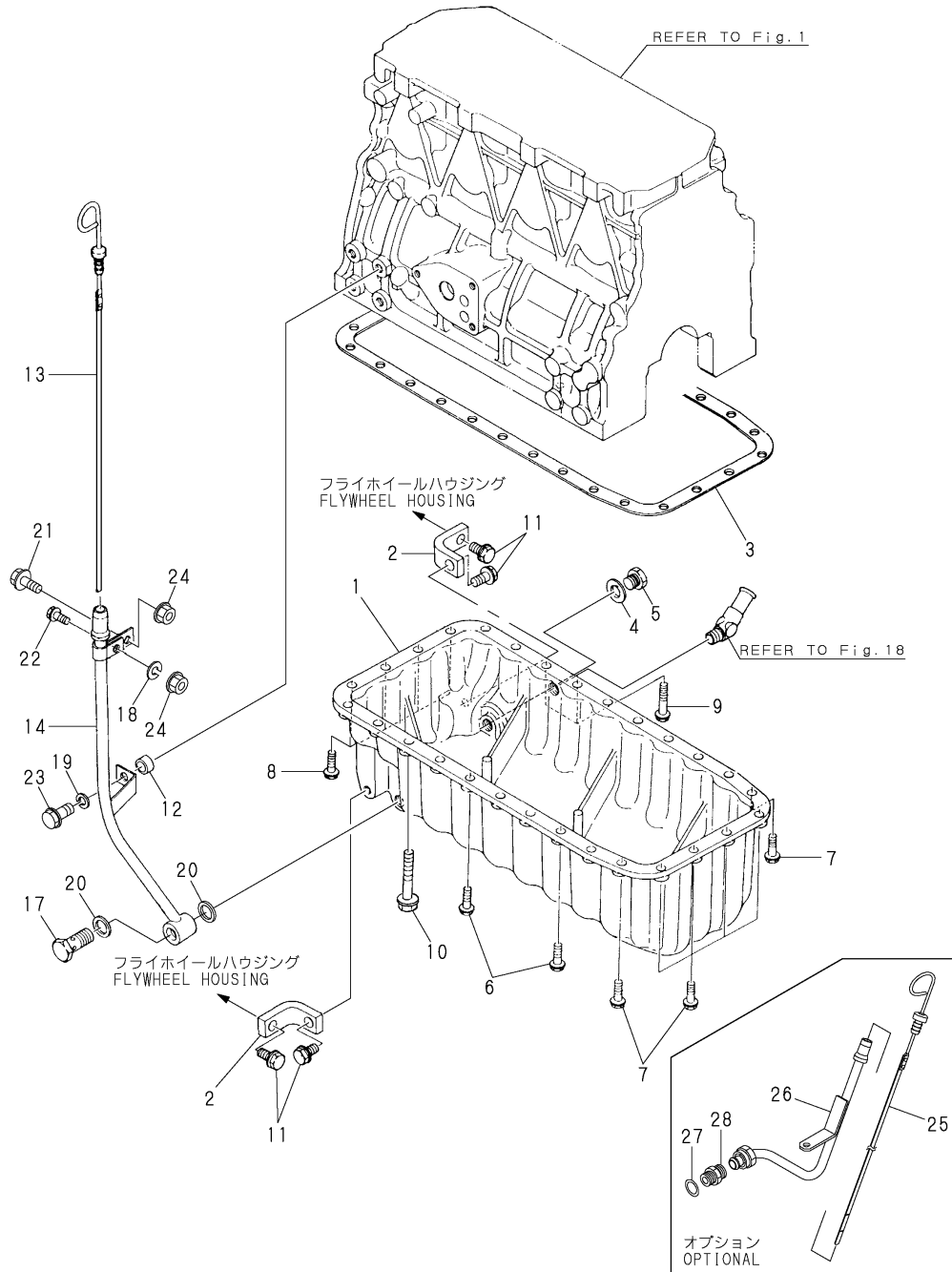
Fig.4.MOUNTING FOOT



(A)=4JH3-HTE (D)=
 (B)=4JH3-DTE (E)=
 (C)= (F)=

REF.	LEV.	PARTS NO.	DESCRIPTION	QTY						I	R
				(A)	(B)	(C)	(D)	(E)	(F)		
1	1	129673-08100	MOUNTING FOOT A	1	1						
2	1	129673-08110	MOUNTING FOOT B	1	1						
3	1	129673-08120	MOUNTING FOOT C	1	1						
4	1	129673-08130	MOUNTING FOOT D	1	1						
5	1	26106-100202	BOLT M10X 20 PLATED	8	8						
I	5-1	26106-100222	BOLT M10X 22 PLATED	8	8						N
		(A=E/#20729) (B=E/#30691)									
6	1	26116-120302	BOLT M12X 30 PLATED	4	4						
7	1	129670-08350	MOUNTING, FLEX.200	4	4						
8	1	129670-08120	MOUNTING FOOT,C	1	1						
9	1	129670-08130	MOUNTING FOOT,D	1	1						
10	1	129673-08140	MOUNTING FOOT A	1	1						
11	1	129673-08150	MOUNTING FOOT A	1	1						

Fig.5.LUB.OIL SUMP

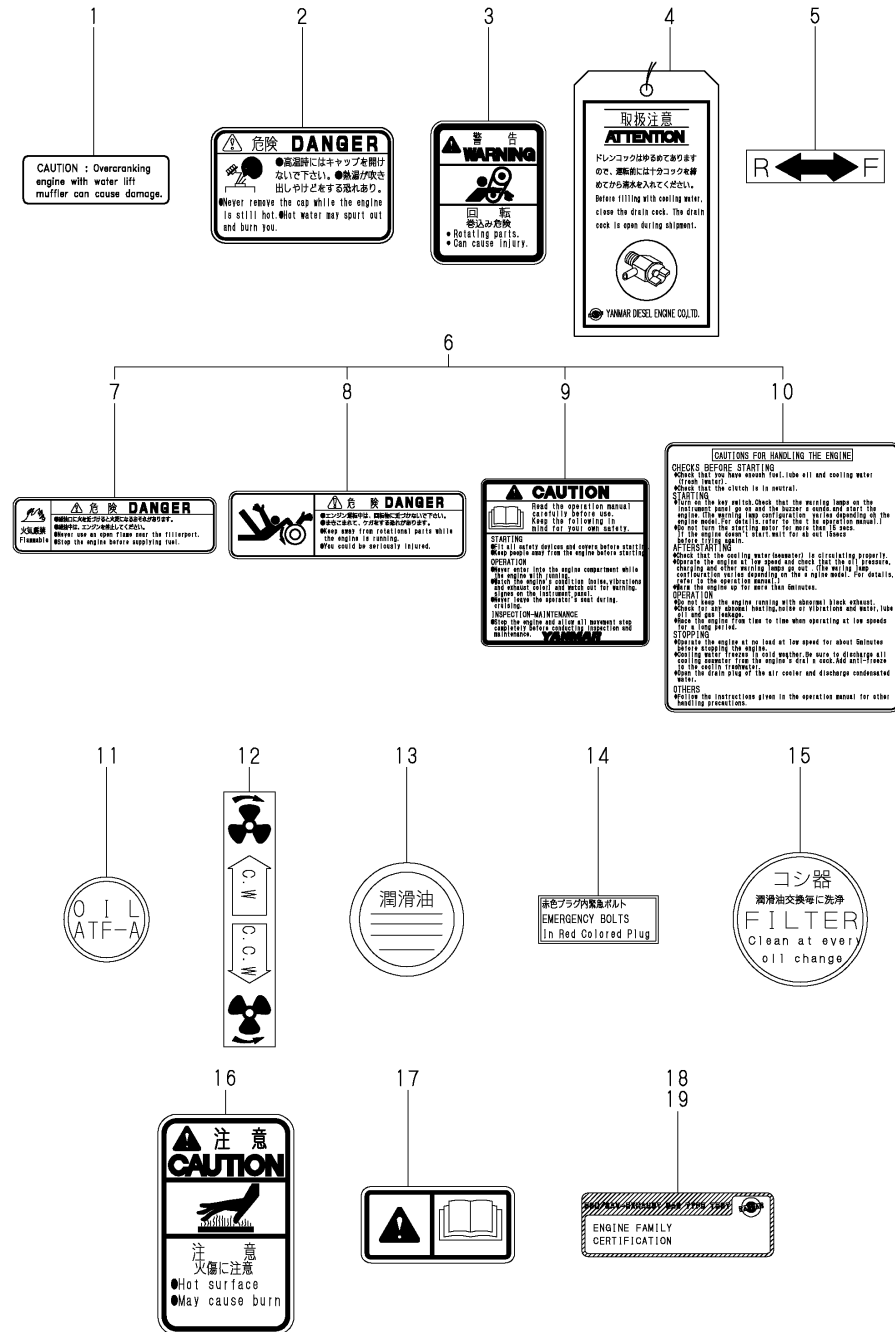


(A)=4JH3-HTE (D)=
 (B)=4JH3-DTE (E)=
 (C)= (F)=

REF.	LEV.	PARTS NO.	DESCRIPTION	QTY						I	R
				(A)	(B)	(C)	(D)	(E)	(F)		
1	1	129473-01700	PAN ASSY, OIL	1	1						
2	1	129470-01710	BRACKET	2	2						
3	1	129470-01750	GASKET	1	1						
4	1	23414-160021	GASKET 16	1	1						
5	1	23887-160002	PLUG 16,HEX.	1	1						
6	1	26106-080252	BOLT M 8X 25 PLATED	13	13						
7	1	26106-080252	BOLT M 8X 25 PLATED	6	6						
8	1	26106-080252	BOLT M 8X 25 PLATED	4	4						
9	1	26106-080402	BOLT M 8X 40 PLATED	2	2						
10	1	26106-080702	BOLT M 8X 70 PLATED	3	3						
11	1	26106-100252	BOLT M10X 25 PLATED	4	4						
12	1	129301-34830	SPACER	1	1						
13	1	129473-34850	LEVEL GAUGE	1	1						
14	1	129473-34880	GUIDE, DIPSTICK	1	1						
17	1	104214-39720	BOLT, PIPE JOINT	1	1						
18	1	22217-080000	SPRING WASHER 8	1	1						
19	1	22217-100000	SPRING WASHER 10	1	1						
20	1	23414-160000	GASKET 16, ROUND	2	2						
21	1	26106-080122	BOLT M 8X 12 PLATED	1	1						
22	1	26106-080162	BOLT M 8X 16 PLATED	1	1						
23	1	26106-100252	BOLT M10X 25 PLATED	1	1						
I 23-1	1	26106-100222	BOLT M10X 22 PLATED	1	1						N
		(A=E/#20729) (B=E/#30691)									
24	1	26306-080002	NUT	2	2						
25	1	128170-34800	DIPSTICK, LUB. OIL	1	1						
I 25-1	1	129670-34810	DIPSTICK, LUB. OIL	1	1						N
		(A=E/#21559) (B=E/#31385)									
26	1	129570-34880	GUIDE, DIPSTICK	1	1						
27	1	23414-160000	GASKET 16, ROUND	1	1						
28	1	23831-100000	UNION 10	1	1						

Fig.6.LABEL

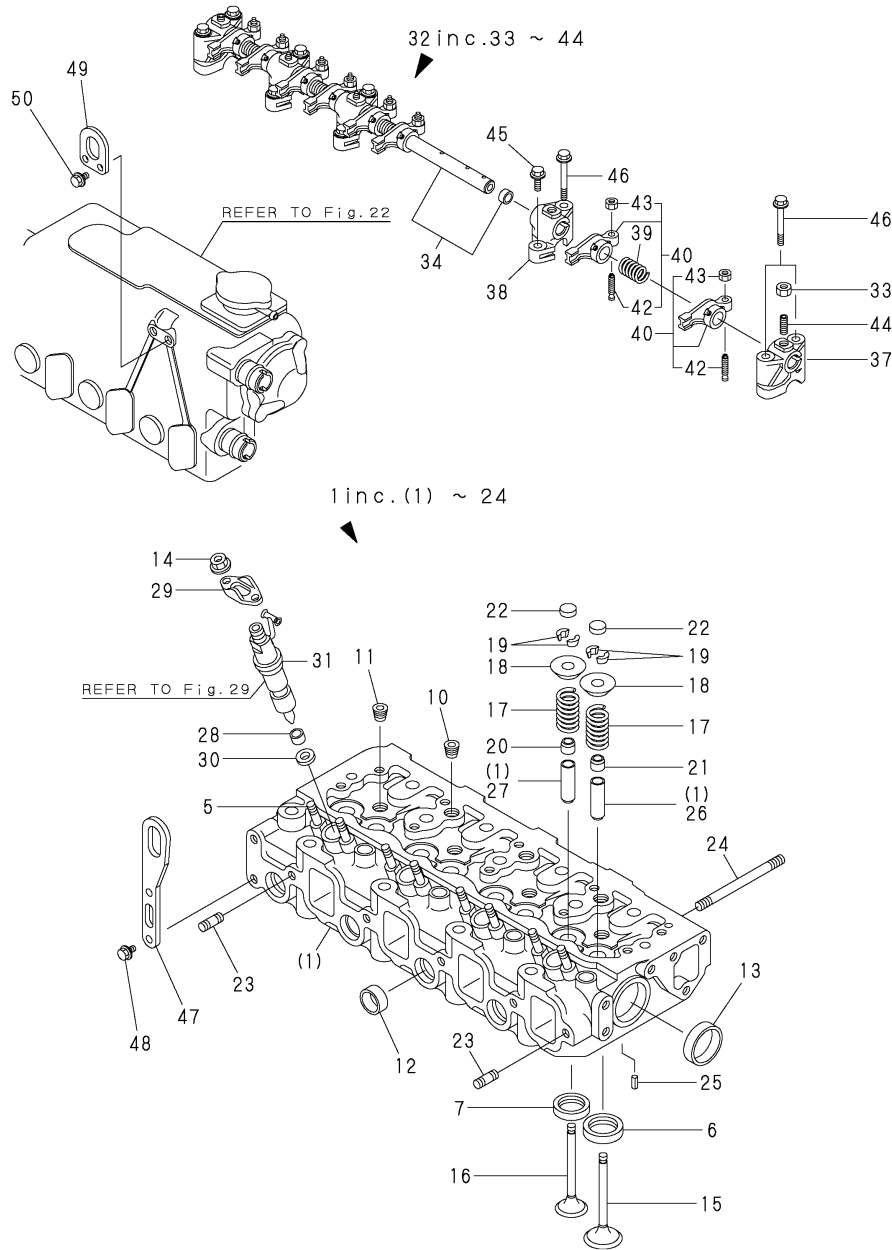
(A)=4JH3-HTE (D)=
 (B)=4JH3-DTE (E)=
 (C)= (F)=



REF.	LEV.	PARTS NO.	DESCRIPTION	QTY						I	R	
				(A)	(B)	(C)	(D)	(E)	(F)			
1	1	128171-07150	LABEL	1	1							
2	1	128296-07260	LABEL,DANGER	1	1							
3	1	128296-07350	LABEL	1	1							
4	1	123682-07851	LABEL, CW. TANK	1	1							
I	4-1	123682-07852	LABEL, CW. TANK	1	1							S
		(A=E/#21999) (B=E/#31647)										
5	1	177088-02430	LABEL	1	1							
6	1	128296-07190	LABEL,LOOSE PARTS	1	1							
7	2	128296-07400	LABEL,DANGER	2	2							
8	2	128296-07420	LABEL,DANGER	1	1							
9	2	128296-07450	LABEL,DANGER	1	1							
10	2	128296-07460	LABEL,DANGER	1	1							
11	1	177075-02550	LABEL	1	1							
12	1	177073-02431	LABEL	1	1							
13	1	177050-02811	LABEL	1	1							
14	1	177061-02811	LABEL	1	1							
15	1	177050-02821	NAME-PLATE,STRAINER	1	1							
16	1	128296-07300	LABEL,DANGER	1	1							
17	1	196630-12980	LABEL	1	1							
18	1	129672-07560	LABEL, BSO2	1								
19	1	129673-07560	PLATE(CERTIFICATE)									

Fig.7.CYLINDER HEAD(4JH3-HTE)

(A)=4JH3-HTE (D)=
 (B)=4JH3-DTE (E)=
 (C)= (F)=

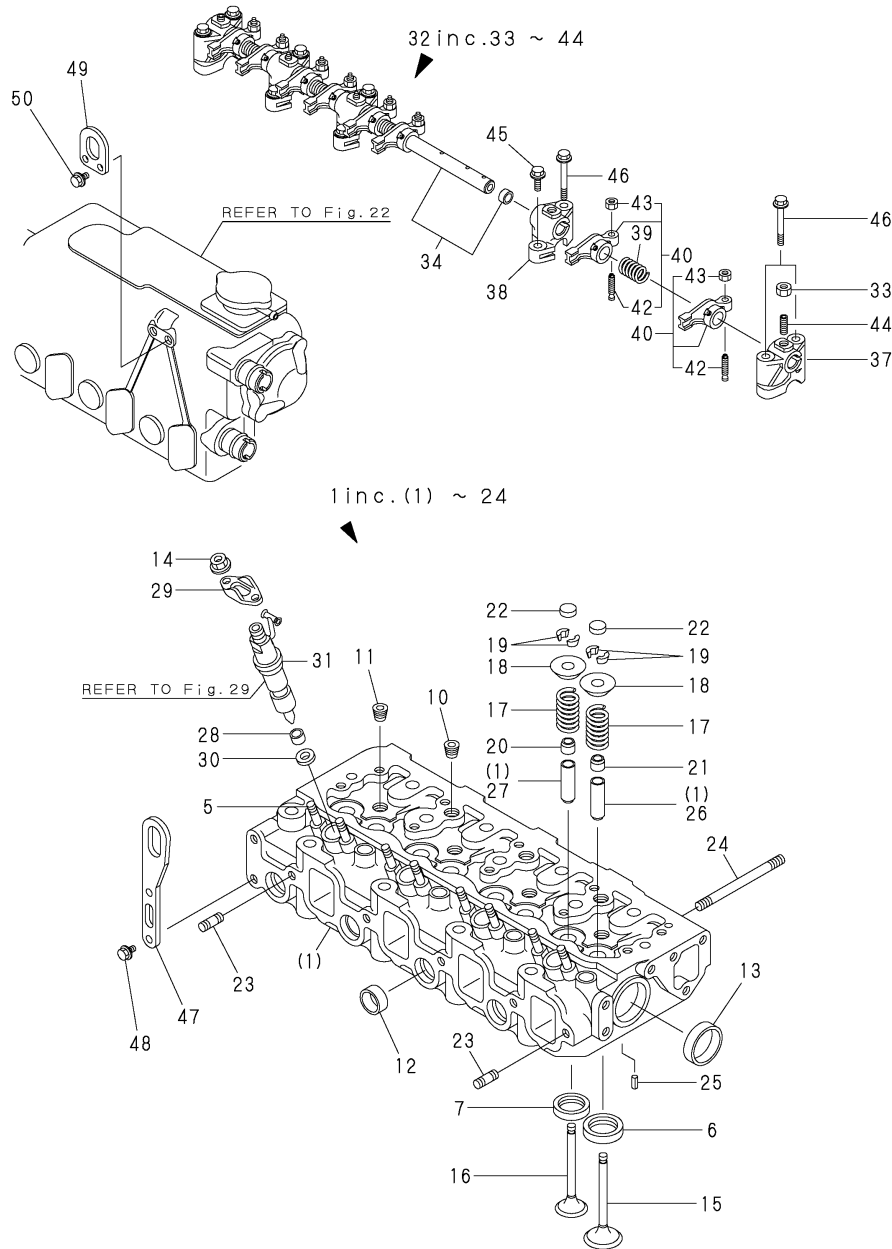


REF.	LEV.	PARTS NO.	DESCRIPTION	QTY						I	R
				(A)	(B)	(C)	(D)	(E)	(F)		
1	1	729672-11700	HEAD ASSY, CYLINDER	1							
5	3	26216-060202	STUD M 6X 20 PLATED	8							
6	3	129795-11080	SEAT, SUCTION VALVE	4							
7	3	129795-11090	SEAT, EXHAUST VALVE	4							
10	3	23876-020000	PLUG 1/4	3							
11	3	23876-030000	PLUG PT3/8,SCREW	4							
12	3	27241-220000	PLUG 22	4							
13	3	27241-400000	PLUG 40	2							
14	2	26367-060002	NUT M 6	8							
15	2	129120-11100	INTAKE VALVE	4							
16	2	129120-11110	EXHAUST VALVE	4							
17	2	129795-11120	SPRING, VALVE	8							
18	2	129795-11180	RETAINER, SPRING	8							
19	2	27310-080001	COTTER 8	8							
20	2	121400-11340	SEAL, VALVE STEM	4							
21	2	124460-11340	SEAL, VALVE STEM	4							
22	2	129150-11370	CAP, VALVE	8							
23	2	26216-080222	STUD M 8X 22 PLATED	2							
24	2	129693-44300	STUD BOLT	2							
25	1	22351-060012	SPRING PIN 6X12	2							
26	1	120130-11860	GUIDE, VALVE	4							1
27	1	129150-11810	GUIDE, VALVE	4							1
28	1	119625-11870	PROTECTOR, NOZZLE	4							
I	28-1	119625-11872	PROTECTOR, NOZZLE	4							R
		(A=E/#21999)									
I	28-2	119625-11870	PROTECTOR, NOZZLE	4							N
		(A=E/#22026)									
29	1	119625-11900	RETAINER	4							
30	1	119625-11880	SEAT, NOZZLE	4							
31	1	129470-11920	GASKET	4							
32	1	129555-11241	SHAFT ASSY, ROCKER	1							
33	2	26756-080002	LOCK NUT M 8 PLATED	3							
34	2	129550-11290	SHAFT, ROCKER ARM	1							
37	2	129155-11260	SUPPORT, ROCKER ARM	2							
38	2	129155-11270	SUPPORT, ROCKER ARM	3							
39	2	129150-11280	SPRING	4							
40	2	729402-11650	ARM ASSY, ROCKER	8							
42	3	129150-11230	SCREW, VALVE	8							
43	3	129150-11750	NUT M8XP1.0	8							
44	2	26226-080182	STUD M 8X 18 PLATED	3							
I	44-1	119802-11280	STUD	3							R
		(A=E/#21725)									
45	1	26106-080252	BOLT M 8X 25 PLATED	3							
46	1	26106-080502	BOLT M 8X 50 PLATED	7							
47	1	129900-07900	LIFTER, ENGINE	2							
48	1	26106-080162	BOLT M 8X 16 PLATED	4							
49	1	129470-07230	LIFTER, ENGINE	1							
50	1	26106-080162	BOLT M 8X 16 PLATED	2							

Remarks
 (1)REPAIR PART

(A)=4JH3-HTE (D)=
 (B)=4JH3-DTE (E)=
 (C)= (F)=

Fig.8.CYLINDER HEAD(4JH3-DTE)

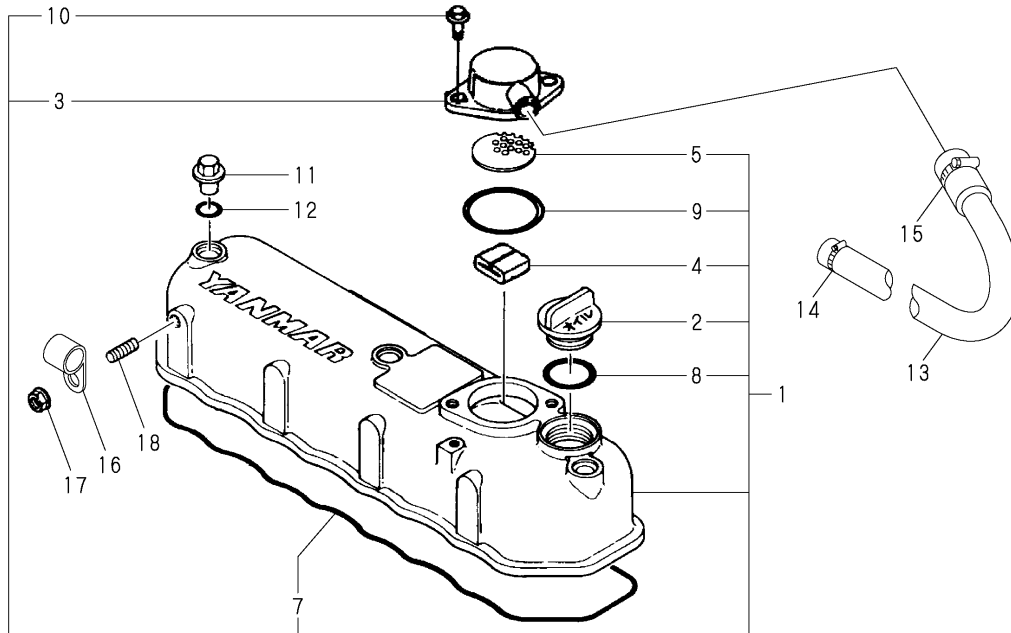


REF.	LEV.	PARTS NO.	DESCRIPTION	QTY						I	R
				(A)	(B)	(C)	(D)	(E)	(F)		
1	1	729693-11700	HEAD ASSY, CYLINDER		1						
5	3	26216-060202	STUD M 6X 20 PLATED		8						
6	3	129795-11080	SEAT, SUCTION VALVE		4						
7	3	129795-11090	SEAT, EXHAUST VALVE		4						
10	3	23876-020000	PLUG 1/4		3						
11	3	23876-030000	PLUG PT3/8,SCREW		4						
12	3	27241-220000	PLUG 22		4						
13	3	27241-400000	PLUG 40		2						
14	2	26367-060002	NUT M 6		8						
15	2	129120-11100	INTAKE VALVE		4						
16	2	129120-11110	EXHAUST VALVE		4						
17	2	129795-11120	SPRING, VALVE		8						
18	2	129795-11180	RETAINER, SPRING		8						
19	2	27310-080001	COTTER 8		8						
20	2	121400-11340	SEAL, VALVE STEM		4						
21	2	124460-11340	SEAL, VALVE STEM		4						
22	2	129150-11370	CAP, VALVE		8						
23	2	26216-080222	STUD M 8X 22 PLATED		2						
24	2	129693-44300	STUD BOLT		2						
25	1	22351-060012	SPRING PIN 6X12		2						
26	1	120130-11860	GUIDE, VALVE		4						1
27	1	129150-11810	GUIDE, VALVE		4						1
28	1	129693-11870	SEAT		4						
29	1	119625-11900	RETAINER		4						
30	1	129693-11880	SEAT, NOZZLE		4						
31	1	129470-11920	GASKET		4						
32	1	129555-11241	SHAFT ASSY, ROCKER		1						
33	2	26756-080002	LOCK NUT M 8 PLATED		3						
34	2	129550-11290	SHAFT, ROCKER ARM		1						
37	2	129155-11260	SUPPORT, ROCKER ARM		2						
38	2	129155-11270	SUPPORT, ROCKER ARM		3						
39	2	129150-11280	SPRING		4						
40	2	729402-11650	ARM ASSY, ROCKER		8						
42	3	129150-11230	SCREW, VALVE		8						
43	3	129150-11750	NUT M8XP1.0		8						
44	2	26226-080182	STUD M 8X 18 PLATED		3						
I 44-1	2	119802-11280	STUD		3						R
		(B-E/#31435)									
45	1	26106-080252	BOLT M 8X 25 PLATED		3						
46	1	26106-080502	BOLT M 8X 50 PLATED		7						
47	1	129900-07900	LIFTER, ENGINE		2						
48	1	26106-080162	BOLT M 8X 16 PLATED		4						
49	1	129470-07230	LIFTER, ENGINE		1						
50	1	26106-080162	BOLT M 8X 16 PLATED		2						

Remarks
 (1)REPAIR PART

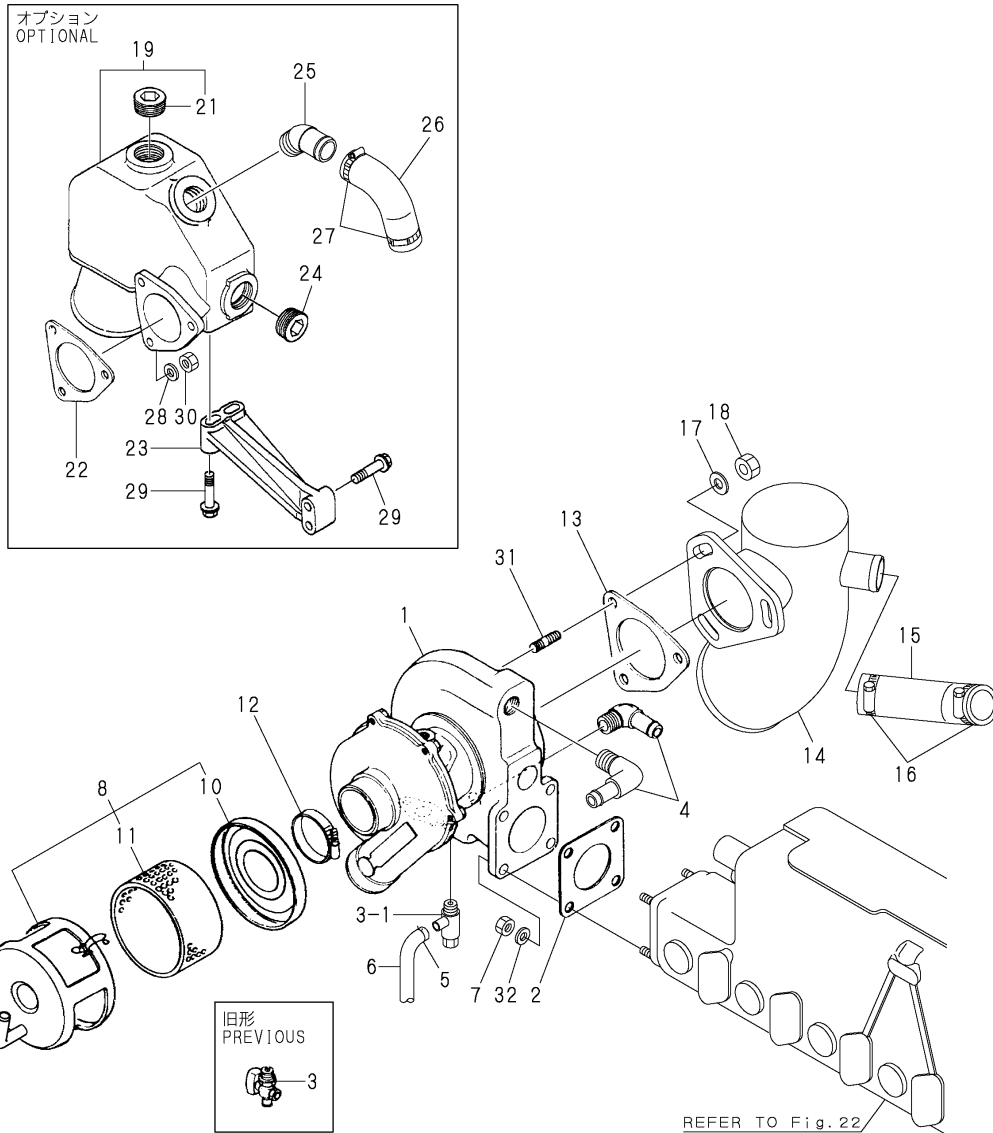
Fig.9.BONNET

(A)=4JH3-HTE (D)=
 (B)=4JH3-DTE (E)=
 (C)= (F)=



REF.	LEV.	PARTS NO.	DESCRIPTION	QTY						I	R
				(A)	(B)	(C)	(D)	(E)	(F)		
1	1	129577-11350	BONNET ASSY	1	1						
2	2	124160-01751	COVER,FILLER	1	1						
3	2	129150-03020	COVER, BREATHER	1	1						
4	2	129150-03070	BAFFLE, BREATHER	1	1						
5	2	129150-03080	PLATE, SHELTER	1	1						
7	2	129550-11310	GASKET, BONNET	1	1						
8	2	24311-000320	O-RING 1A P-32.0	1	1						
9	2	24341-000500	O-RING 1A S-50.0	1	1						
10	2	26106-080162	BOLT M 8X 16 PLATED	2	2						
11	1	124160-11360	KNOB	3	3						
12	1	24311-000120	O-RING 1A P 12.0	3	3						
13	1	129672-03090	PIPE, BREATHER	1	1						
14	1	129301-03660	CLAMP 16	1	1						
15	1	129410-03990	CLAMP 24	1	1						
16	1	23297-160081	RETAINER 16X 8	1	1						
17	1	26306-080002	NUT	1	1						
18	1	121850-01910	STUD 8X12	1	1						

Fig.11.TURBOCHARGER



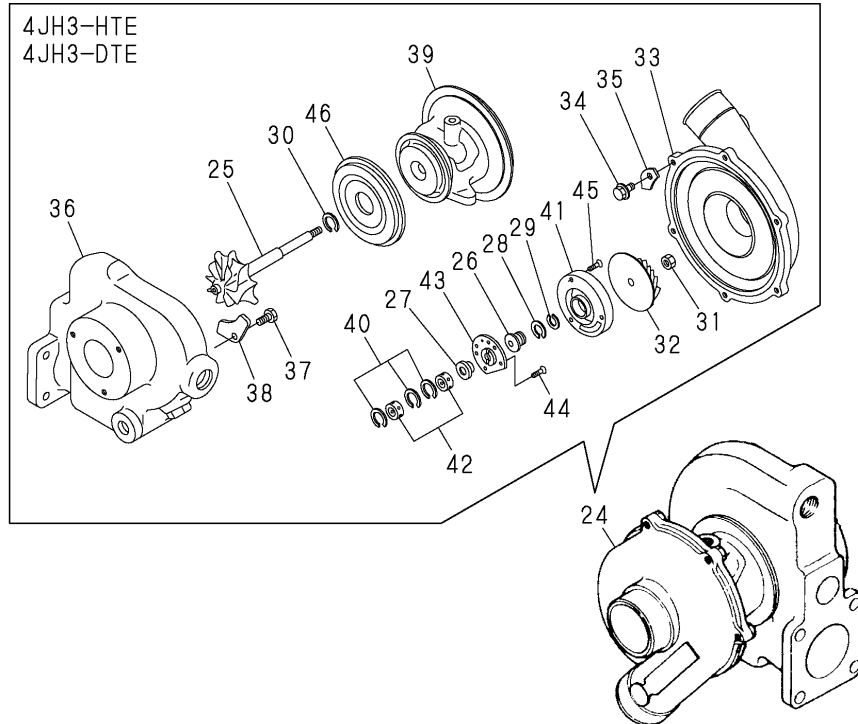
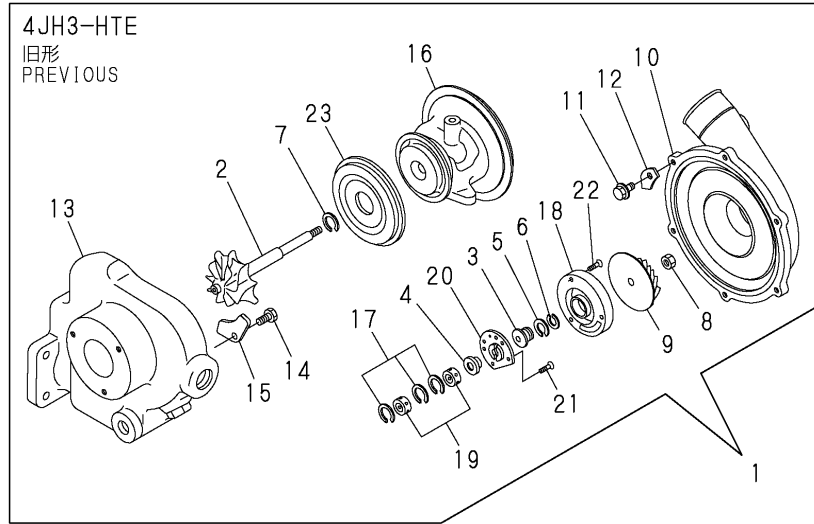
(A)=4JH3-HTE (D)=
(B)=4JH3-DTE (E)=
(C)= (F)=

REF.	LEV.	PARTS NO.	DESCRIPTION	QTY						I	R
				(A)	(B)	(C)	(D)	(E)	(F)		
1	1	129672-18001	T/C(-HTE)	1							
I 1-1	1	129693-18001 (A=E/#21461)	T/C(-DTE)	1							S 1
1A	1	129693-18001	T/C(-DTE)		1						
2	1	129472-18090	GASKET	1	1						
3	1	128695-44090	COCK PT1/8	1	1						
I 3-1	1	129670-49290 (A=E/#20381) (B=E/#30425)	COCK R1/8 ASSY	1	1						N
4	1	171007-49400	JOINT	2	2						
5	1	124460-77680	RETAINER	1	1						
6	1	23061-070300	PIPE 7X 300	1	1						
7	1	26703-080002	NUT M 8	4	4						
8	1	129470-12301	SILENCER, INTAKE	1	1						
10	2	129470-12320	BRACKET	1	1						
11	2	129470-12330	ELEMENT ASSY	1	1						
12	1	23000-054000	CLAMP 54	1	1						
13	1	129472-13520	GASKET	1	1						
14	1	129673-13550	ELBOW, WATER MIXING	1	1						
15	1	129672-49090	PIPE, COOLING WATER	1	1						
I 15-1	1	129673-49110 (A=E/#20929) (B=E/#30857)	PIPE, CSW(D)	1	1						R
16	1	23000-035000	CLAMP 35	2	2						
I 16-1	1	129670-49500 (A=E/#20955) (B=E/#30887)	HOSE CLIP 38	2	2						R
17	1	22137-080000	WASHER 8, POLISHED	3	3						
18	1	26703-080002	NUT M 8	3	3						
19	1	129472-13500	ELBOW MIXING COMP.	1	1						
21	2	129472-13560	PLUG PT3/4	1	1						
22	1	129472-13520	GASKET	1	1						
23	1	129472-13550	SUPPORT	1	1						
24	1	129472-13560	PLUG PT3/4	1	1						
25	1	129673-49060	JOINT, 45	1	1						
26	1	129673-49090	PIPE, COOLING WATER	1	1						
27	1	23000-035000	CLAMP 35	2	2						
I 27-1	1	129670-49500 (A=E/#20955) (B=E/#30887)	HOSE CLIP 38	2	2						R
28	1	22137-080000	WASHER, 8	3	3						
29	1	26106-080352	BOLT M 8X 35 PLATED	4	4						
30	1	26703-080002	NUT M 8	3	3						
31	1	128170-13600	STUD	3	3						
I 32	1	22133-080000 (A=E/#20021) (B=E/#30075)	WASHER 8	4	4						W

Remarks
(1)INTERCHANGEABLE BY SIMULTANEOUS
REPLACEMENT WITH REF.FIG16 NO.1-1.

(A)=4JH3-HTE (D)=
 (B)=4JH3-DTE (E)=
 (C)= (F)=

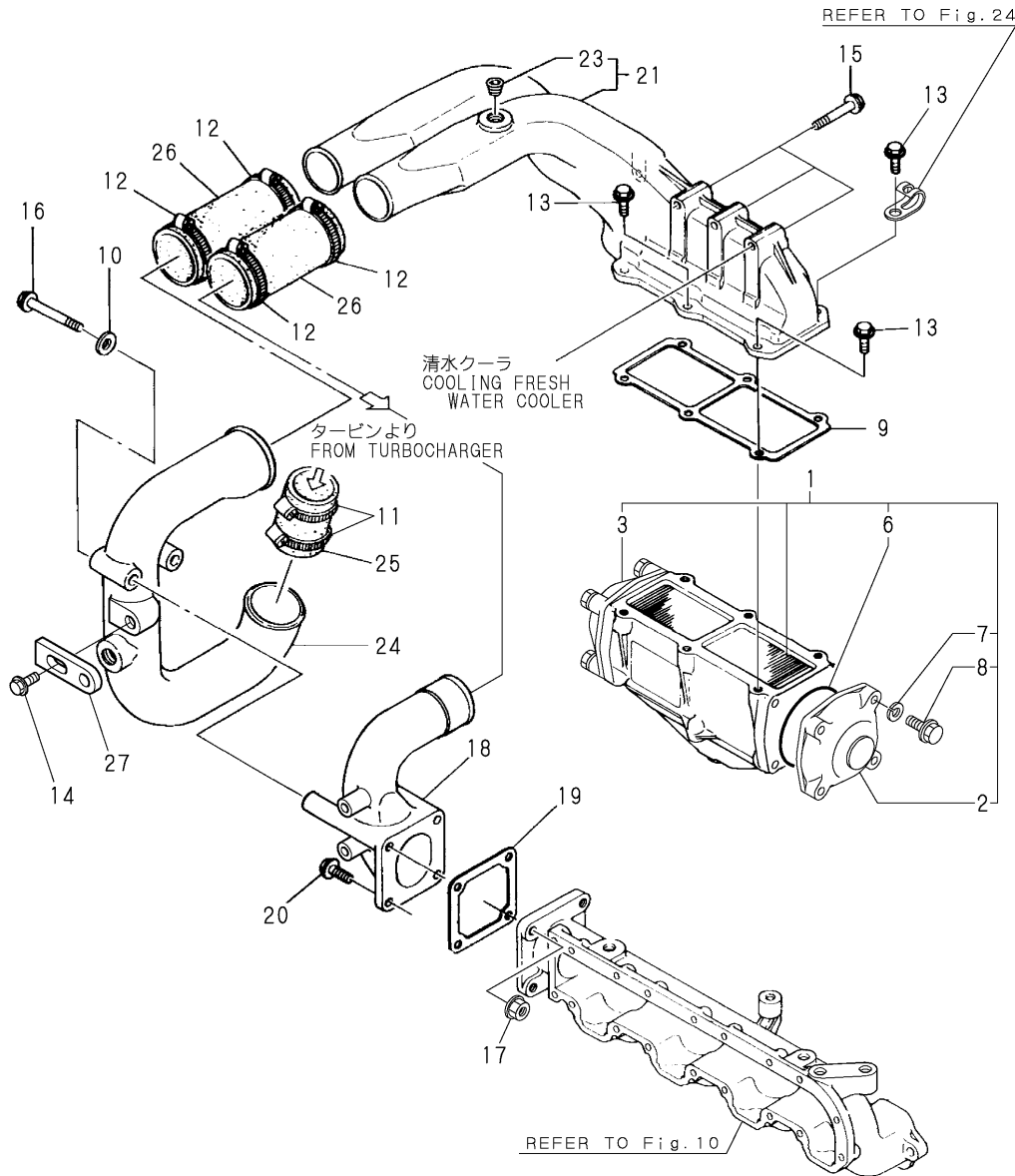
Fig.12.TURBOCHARGER COMPONENT PART



I	REF.	LEV.	PARTS NO.	DESCRIPTION	QTY						I	R
					(A)	(B)	(C)	(D)	(E)	(F)		
	1	1	129672-18001 (A=E/#21461)	T/C(-HTE)	1							Z
	2	2	XNN131572	SHAFT,TURBO.	1							
	3	2	XNN131578	SHELTER	1							
	4	2	XNN131579	BUSH, THRUST	1							
	5	2	XNB131008	SEAL RING,BLOW.SIDE	1							
	6	2	XNN131008	SEAL RING,BLOW.SIDE	1							
	7	2	XNN131536	SEALING	1							
	8	2	XNN131108	LOCK NUT	1							
	9	2	XNN136616	WHEEL	1							
	10	2	XNE924970	HOUSING,BLOWER	1							
	11	2	XNB134007	BOLT	6							
	12	2	XNN134035	BRACKET	6							
	13	2	XNE928726	HOUSING,TURBINE	1							
	14	2	XNN137007	BOLT M8	5							
	15	2	XNN137423	RETAINER	5							
	16	2	XNE923383	HOUSING,BEARING	1							
	17	2	XNN133208	CIRCLIP	3							
	18	2	XNN133022	PLATE, SEAL	1							
	19	2	XNN133506	METAL, FLOATING	2							
	20	2	XNN133596	METAL,THRUST	1							
	21	2	XNB133206	SCREW	4							
	22	2	XNB133208	SCREW(SEAL PLATE	3							
	23	2	XNN137055	HEAT PROTECTOR	1							
I	24	1	129693-18001 (A=E/#21461)	T/C(-DTE)	1	1						W
	25	2	XNN131572	SHAFT,TURBO.	1	1						
	26	2	XNN131578	SHELTER	1	1						
	27	2	XNN131579	BUSH, THRUST	1	1						
	28	2	XNB131008	SEAL RING,BLOW.SIDE	1	1						
	29	2	XNN131008	SEAL RING,BLOW.SIDE	1	1						
	30	2	XNN131536	SEALING	1	1						
	31	2	XNN131108	LOCK NUT	1	1						
	32	2	XNN136616	WHEEL	1	1						
	33	2	XNE924970	HOUSING,BLOWER	1	1						
	34	2	XNB134007	BOLT	6	6						
	35	2	XNN134035	BRACKET	6	6						
	36	2	XNE928726	HOUSING,TURBINE	1	1						
	37	2	XNN137007	BOLT M8	5	5						
	38	2	XNN137423	RETAINER	5	5						
	39	2	XNE923383	HOUSING,BEARING	1	1						
	40	2	XNN133208	CIRCLIP	3	3						
	41	2	XNN133022	PLATE, SEAL	1	1						
	42	2	XNN133506	METAL, FLOATING	2	2						
	43	2	XNN133596	METAL,THRUST	1	1						
	44	2	XNB133206	SCREW	4	4						
	45	2	XNB133208	SCREW(SEAL PLATE	3	3						
	46	2	XNN137055	HEAT PROTECTOR	1	1						

Fig.13.AIR COOLER

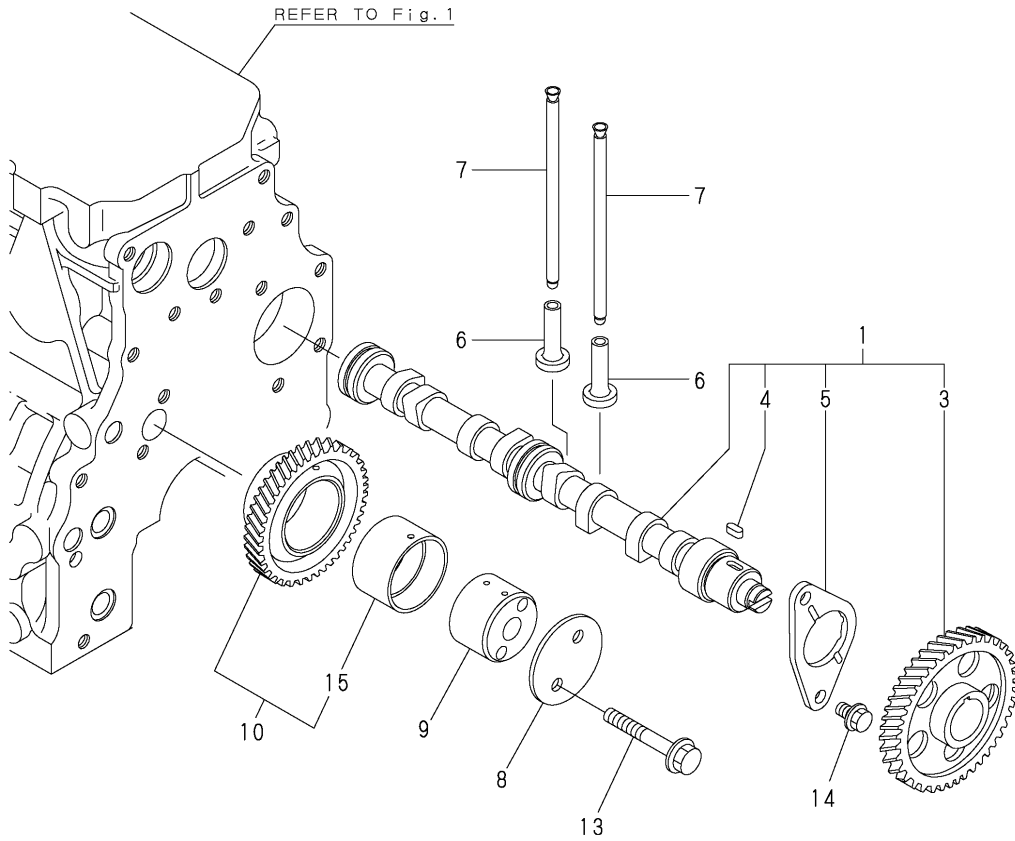
(A)=4JH3-HTE (D)=
 (B)=4JH3-DTE (E)=
 (C)= (F)=



REF.	LEV.	PARTS NO.	DESCRIPTION	QTY						I	R
				(A)	(B)	(C)	(D)	(E)	(F)		
1	1	129673-18100	INTERCOOLER ASSY	1	1						
2	2	129673-18220	WATER BOX A	1	1						
3	2	129673-18230	WATER BOX B	1	1						
6	2	129673-18250	O-RING	2	2						W
		(A=FROM 1ST) (B=FROM 1ST)									
7	2	22217-080000	SPRING WASHER 8	8	8						W
		(A=FROM 1ST) (B=FROM 1ST)									
8	2	26106-080302	BOLT M 8X 30 PLATED	8	8						W
		(A=FROM 1ST) (B=FROM 1ST)									
9	1	129573-18120	GASKET	1	1						
10	1	22137-080000	WASHER 8, POLISHED	2	2						
11	1	23000-054000	CLAMP 54	2	2						
12	1	23000-070000	CLAMP 70	4	4						
13	1	26106-080202	BOLT M 8X 20 PLATED	6	6						
14	1	26106-080202	BOLT M 8X 20 PLATED	1	1						
15	1	26106-080502	BOLT M 8X 50 PLATED	3	3						
16	1	26116-082002	BOLT M 8X200 PLATED	2	2						
17	1	26306-080002	NUT	2	2						
18	1	129474-18151	BEND	1	1						
19	1	129470-77590	GASKET, (NON-ASB.)	1	1						
20	1	26106-080202	BOLT M 8X 20 PLATED	2	2						
21	1	129474-18181	DUCT ASSY, AIR	1	1						
23	2	23876-010000	PLUG PT1/8,SCREW	1	1						
24	1	129595-18132	DUCT, AIR	1	1						
25	1	129595-18141	HOSE, RUBBER	1	1						
26	1	129595-18151	HOSE, RUBBER	2	2						
27	1	129693-18150	CLAMP(AIR DUCT)	1	1						

Fig.14.CAMSHAFT

(A)=4JH3-HTE (D)=
 (B)=4JH3-DTE (E)=
 (C)= (F)=

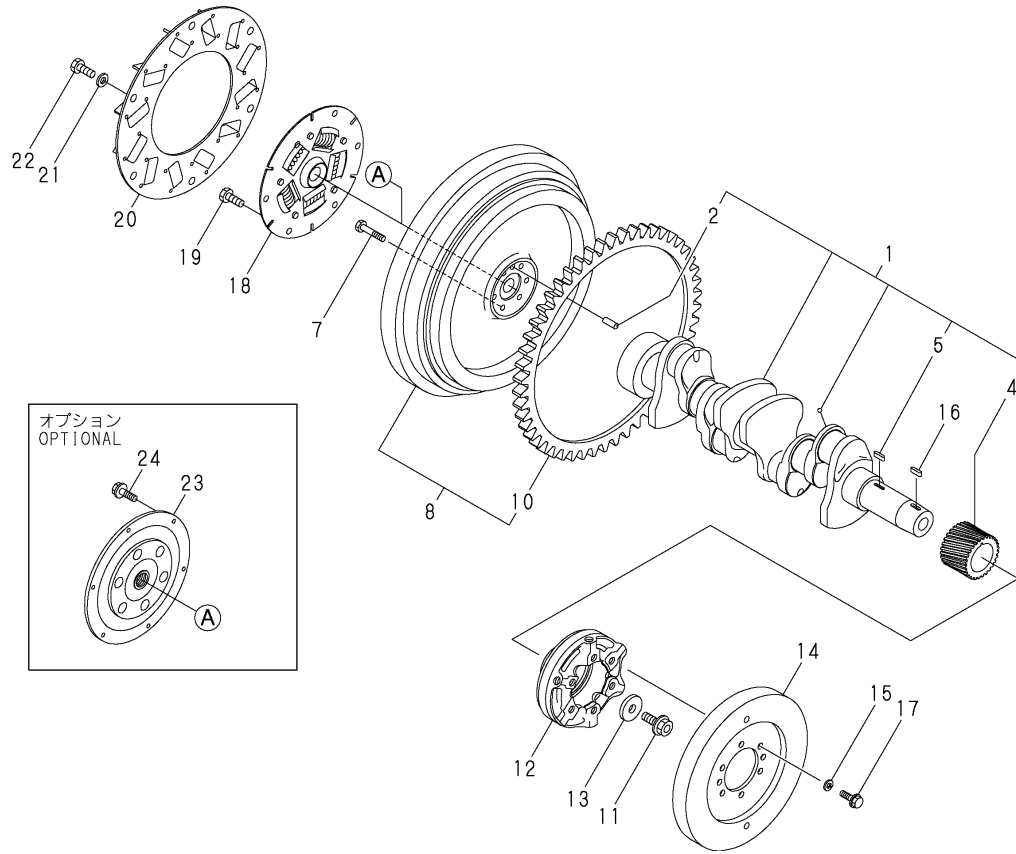


REF.	LEV.	PARTS NO.	DESCRIPTION	QTY						I	R
				(A)	(B)	(C)	(D)	(E)	(F)		
1	1	129472-14000	CAMSHAFT CMP	1	1						
3	2	129150-14101	GEAR, CAMSHAFT	1	1						
4	2	22512-070140	KEY 7X 14	1	1						
5	2	129150-02450	METAL,THRUST(CAM	1	1						
6	1	129150-14200	TAPPET	8	8						
7	1	119171-14400	PUSH ROD	8	8						
8	1	129150-25020	RETAINER	1	1						
9	1	129150-25052	SHAFT, IDLE	1	1						
10	1	129672-25100	GEAR ASSY, IDLE	1							
10A	1	129693-25100	GEAR ASSY, IDLE		1						
13	1	119174-25060	BOLT M8X45,COLLAR	2	2						
14	1	26106-080142	BOLT M 8X 14 PLATED	2	2						
15	1	129573-25090	BUSH, IDLE GEAR	1	1						1

Remarks
 (1)REPAIR PART

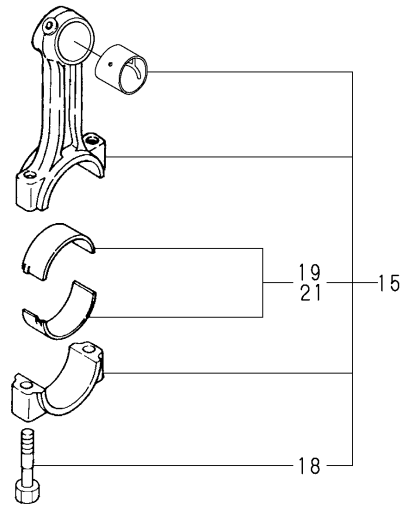
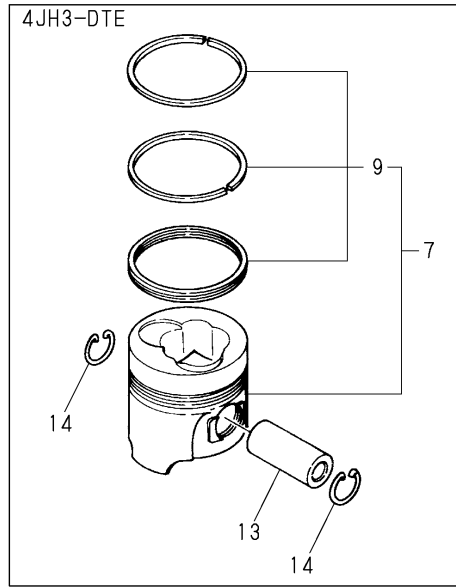
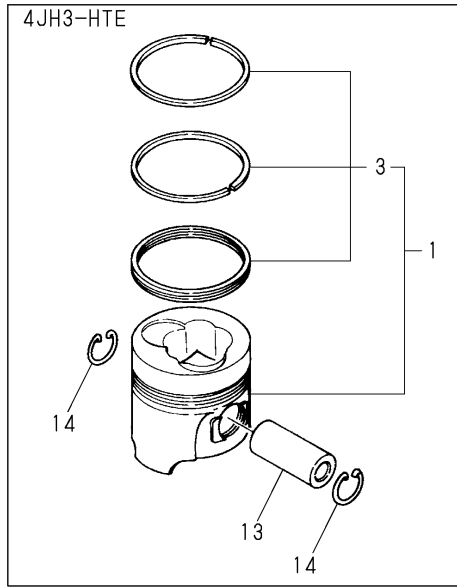
(A)=4JH3-HTE (D)=
 (B)=4JH3-DTE (E)=
 (C)= (F)=

Fig.15.CRANKSHAFT & FLYWHEEL



REF.	LEV.	PARTS NO.	DESCRIPTION	QTY						I	R
				(A)	(B)	(C)	(D)	(E)	(F)		
1	1	129418-21000	CRANKSHAFT ASSY	1							
1A	1	129698-21000	CRANKSHAFT ASSY		1						
2	2	129100-01580	PARALLEL PIN 8X16	1	1						
4	2	129150-21200	GEAR, CRANKSHAFT	1							
4A	2	129189-21200	GEAR, CRANKSHAFT		1						
5	2	22512-070140	KEY 7X 14	1	1						
7	1	121111-21501	BOLT, FLYWHEEL	6	6						
8	1	129574-21590	FLYWHEEL ASSY	1	1						
10	2	124550-21600	RING GEAR	1	1						
11	1	121850-21130	BOLT, FLYWHEEL	1	1						
12	1	129693-21650	V-PULLEY	1	1						
13	1	129693-21660	WASHER	1	1						
14	1	129693-28010	DAMPER	1	1						
I 14-1	1	129673-28010	VISCOUS DAMPER	1	1						R
		(A=*2003.04)	(B=*2003.04)								
15	1	22217-080000	SPRING WASHER 8	6	6						
16	1	22512-070160	KEY 7X 16	1	1						
17	1	26106-080162	BOLT M 8X 16 PLATED	6	6						
18	1	177090-03500	DISC, DAMPER	1	1						
19	1	26106-080162	BOLT M 8X 16 PLATED	6	6						
20	1	129670-81850	FAN (FLYWHEEL)	1	1						
21	1	22217-080000	SPRING WASHER 8	6	6						
22	1	26106-080162	BOLT M 8X 16 PLATED	6	6						
23	1	129673-81760	DISK, DAMPER	1	1						
24	1	26106-080202	BOLT M 8X 20 PLATED	6	6						

Fig.16.PISTON

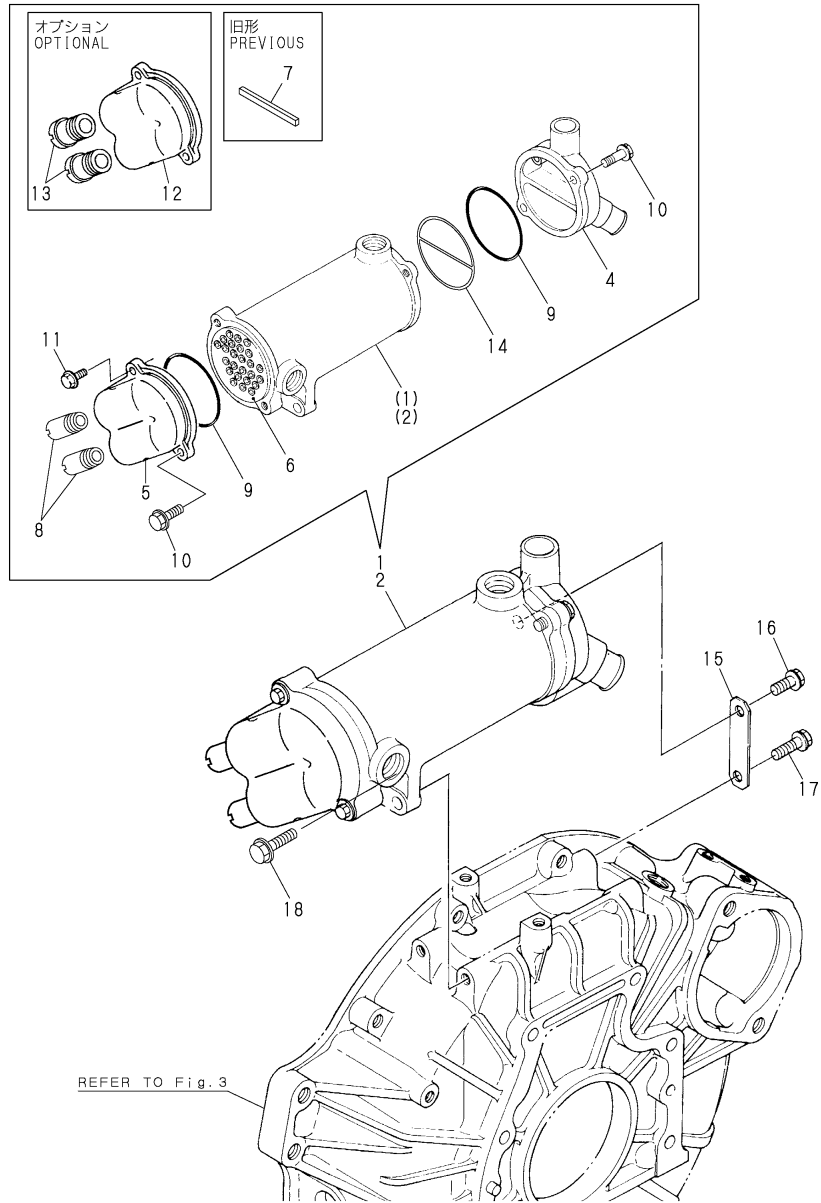


Remarks
 (1)OVER SIZED PART IS NOT SET UP.
 (2)INTERCHANGEABLE BY SIMULTANEOUS REPLACEMENT WITH REF.FIG11 NO.1-1. OVER SIZED PART IS NOT SET UP.
 (3)UNDER SIZED(U.S=0.25)PART.

(A)=4JH3-HTE (D)=
 (B)=4JH3-DTE (E)=
 (C)= (F)=

REF.	LEV.	PARTS NO.	DESCRIPTION	QTY						I	R	
				(A)	(B)	(C)	(D)	(E)	(F)			
1	1	129673-22000	PISTON W/RINGS	4							1	
I 1-1	1	129672-22000	PISTON W/RINGS	4							S 2	
		(A=E/#21461)										
3	2	729692-22510	PISTON RING CMP	4								
7	1	129673-22000	PISTON W/RINGS		4							1
9	2	729692-22510	PISTON RING CMP		4							
13	1	129573-22301	PIN, PISTON	4	4							
14	1	22252-000280	CIRCLIP 28	8	8							
15	1	729573-23700	ROD ASSY, CONNECTING	4	4							
18	2	121550-23200	BOLT, CONNECTING ROD	8	8							
19	2	729150-23600	METAL, CRANKPIN	4	4							
21	1	129150-23610	METAL.PIN US=0.25	4	4							3

Fig.17.LUB.OIL COOLER

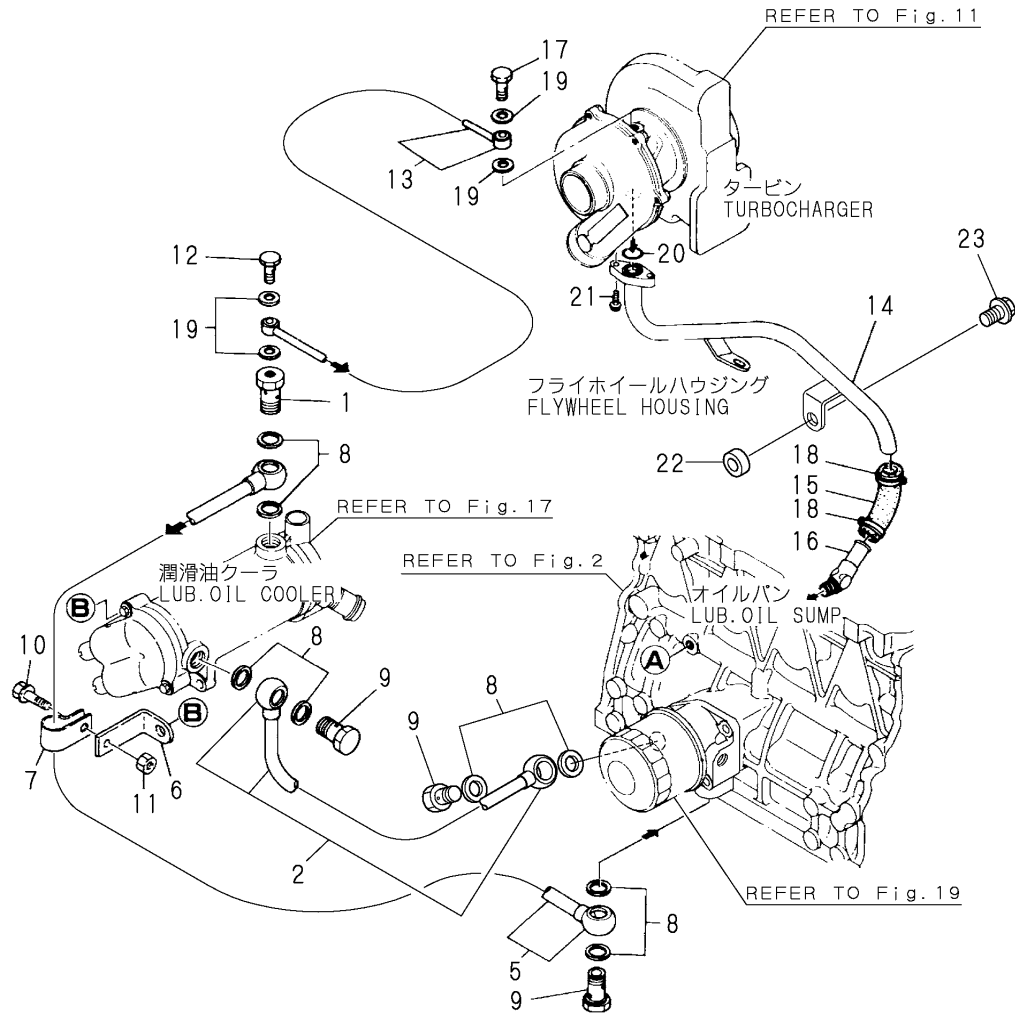


Remarks
 (1)OPTIONAL
 (2)INTERCHANGEABLE BY SIMULTANEOUS
 REPLACEMENT WITH REF.NO.14.

(A)=4JH3-HTE (D)=
 (B)=4JH3-DTE (E)=
 (C)= (F)=

REF.	LEV.	PARTS NO.	DESCRIPTION	QTY						I	R
				(A)	(B)	(C)	(D)	(E)	(F)		
1	1	129673-33000	COOLER, LUB OIL	1	1						
I 1-1	1	129673-33001 (A=E/#21999) (B=E/#31647)	COOLER ASSY, LUB.OIL	1	1						R
2	1	129673-33100	COOLER, LUB OIL	1	1						
I 2-1	1	129673-33101 (A=E/#21999) (B=E/#31647)	COOLER ASSY, LUB.OIL	1	1						R 1
4	2	129673-33020	COVER A	1	1						
5	2	129673-33030	COVER B	1	1						
6	2	129673-33040	CORE, LUB OIL COOLER	1	1						
I 6-1	2	129673-33041 (A=E/#21999) (B=E/#31647)	CORE, LUB OIL COOLER	1	1						F 2
7	3	129270-44490 (A=FROM 1ST) (B=FROM 1ST)	SEALING	1	1						W
I 7-1	3	129270-44490 (A=E/#21999) (B=E/#31647)	SEALING	1	1						Z
8	2	104271-49060	JOINT	2	2						
9	2	24321-000800	O-RING 1A G-80.0	2	2						
10	2	26106-080252	BOLT M 8X 25 PLATED	3	3						
11	2	26106-080302	BOLT M 8X 30 PLATED	1	1						
12	2	129673-33130	COVER B	1	1						1
13	2	123325-49421	JOINT, PIPE	2	2						1
I 14	2	129673-33050 (A=E/#21999) (B=E/#31647)	GASKET(OIL COOLER)	1	1						W
15	1	129474-33500	CLAMP	1	1						
16	1	26106-080142	BOLT M 8X 14 PLATED	1	1						
17	1	26106-080162	BOLT M 8X 16 PLATED	1	1						
18	1	26106-080252	BOLT M 8X 25 PLATED	2	2						

Fig.18.LUB.OIL PIPE

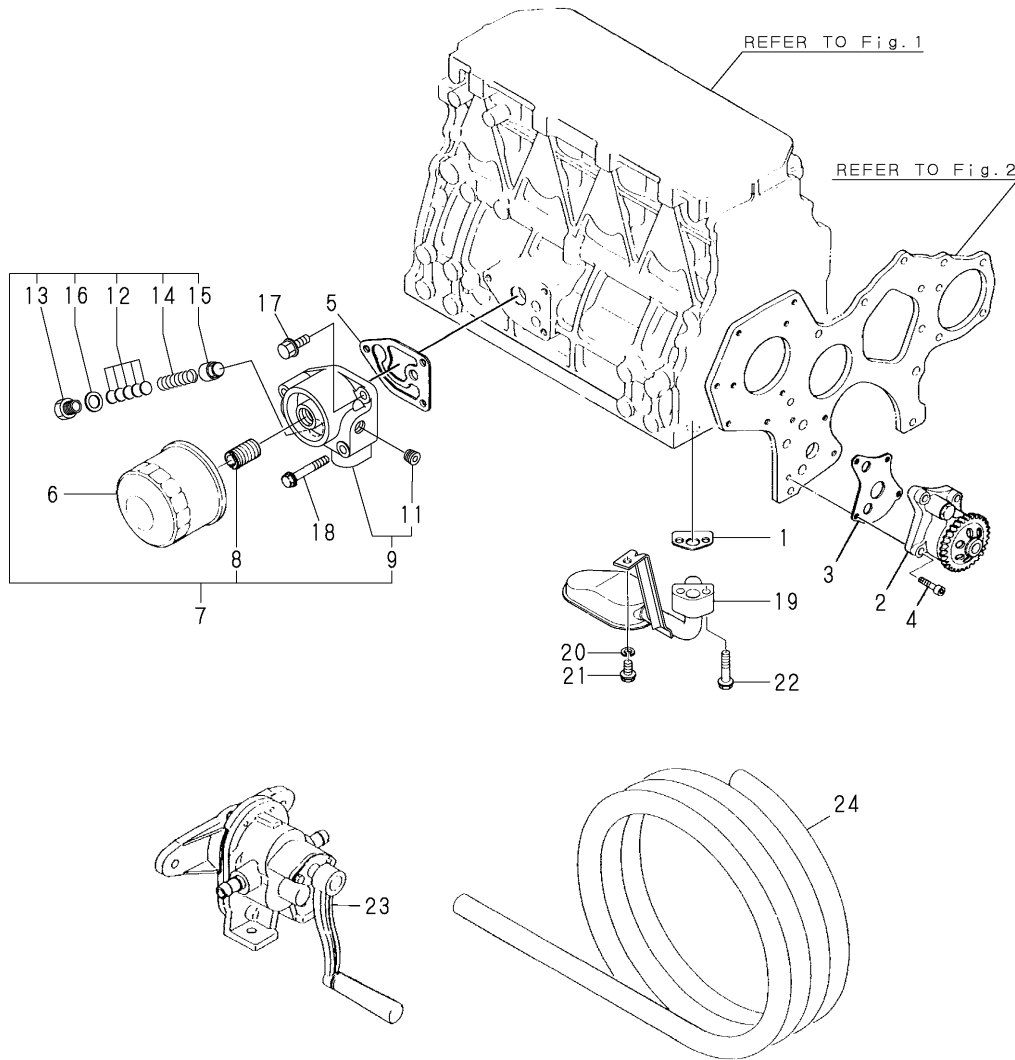


(A)=4JH3-HTE (D)=
 (B)=4JH3-DTE (E)=
 (C)= (F)=

REF.	LEV.	PARTS NO.	DESCRIPTION	QTY						I	R
				(A)	(B)	(C)	(D)	(E)	(F)		
1	1	129472-39020	BOLT M20 X M10	1	1						
2	1	129693-39250	PIPE, LUB. OIL	1	1						
5	1	129673-39300	PIPE, LUB. OIL	1	1						
6	1	129495-39350	STAY	1	1						
7	1	129495-39360	CLAMP	1	1						
8	1	23414-200000	GASKET 20, ROUND	8	8						
9	1	23857-150000	JOINT BOLT 15	3	3						
10	1	26106-060162	BOLT M 6X 16 PLATED	1	1						
11	1	26756-060002	LOCK NUT 6	1	1						
12	1	121252-39150	BOLT, PIPE JOINT	1	1						
13	1	129474-39450	PIPE, LUB OIL	1	1						
14	1	129693-39600	PIPE, LUB. OIL	1	1						
15	1	129792-39610	JOINT, RUBBER	1	1						
16	1	129472-39620	ELBOW	1	1						
17	1	124413-39710	BOLT M 10	1	1						
18	1	23000-025000	CLAMP 25	2	2						
19	1	23414-100000	GASKET 10, ROUND	4	4						
20	1	24314-000180	O-RING 4C P-18.0	1	1						
21	1	26106-060162	BOLT M 6X 16 PLATED	2	2						
22	1	129301-34830	SPACER	1	1						
23	1	26106-100252	BOLT M10X 25 PLATED	1	1						

Fig.19.LUB.OIL SYSTEM

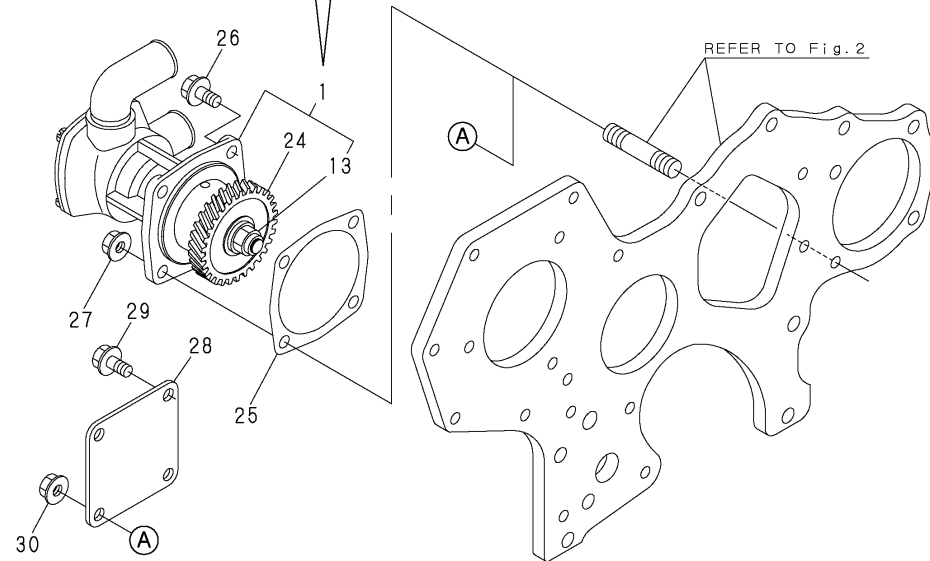
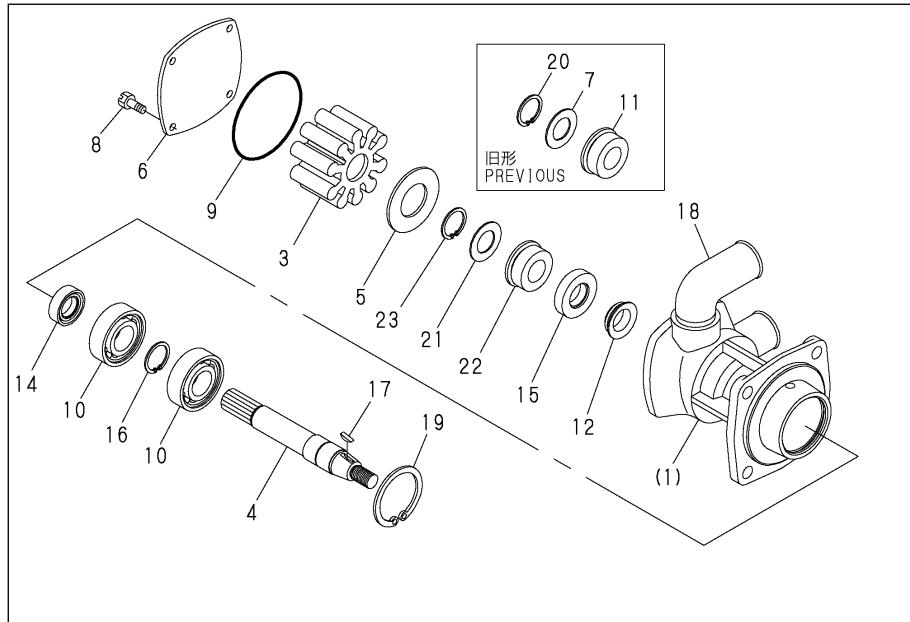
(A)=4JH3-HTE (D)=
 (B)=4JH3-DTE (E)=
 (C)= (F)=



REF.	LEV.	PARTS NO.	DESCRIPTION	QTY						I	R
				(A)	(B)	(C)	(D)	(E)	(F)		
1	1	129470-35040	GASKET	1	1						
2	1	129470-32000	PUMP ASSY, LUB. OIL	1	1						
3	1	129150-32020	GASKET, L.O. PUMP	1	1						
4	1	26450-060252	BOLT M 6X 25	4	4						
5	1	129693-35130	GASKET	1	1						
6	1	129150-35151	FILTER 80X80L	1	1						
7	1	129693-35150	BRACKET ASSY, FILTER	1	1						
8	2	129100-35140	STUD	1	1						
9	2	129693-35170	BRACKET SET	1	1						
11	3	23876-020000	PLUG 1/4	1	1						
12	2	121850-35200	SHIM SET	1	1						
13	2	124223-35510	RETAINER	1	1						
14	2	121850-35520	SPRING, VALVE	1	1						
15	2	121850-35531	VALVE	1	1						
16	2	23414-180000	GASKET 18, ROUND	1	1						
17	1	26106-080202	BOLT M 8X 20 PLATED	1	1						
18	1	26106-080502	BOLT M 8X 50 PLATED	2	2						
19	1	129473-35091	PIPE ASSY, OIL INLET	1	1						
20	1	22217-080000	SPRING WASHER 8	1	1						
21	1	26106-080142	BOLT M 8X 14 PLATED	1	1						
22	1	26106-080352	BOLT M 8X 35 PLATED	2	2						
23	1	124413-39100	PUMP, OIL SUMP	1	1						
24	1	43720-001220	PIPE	1	1						

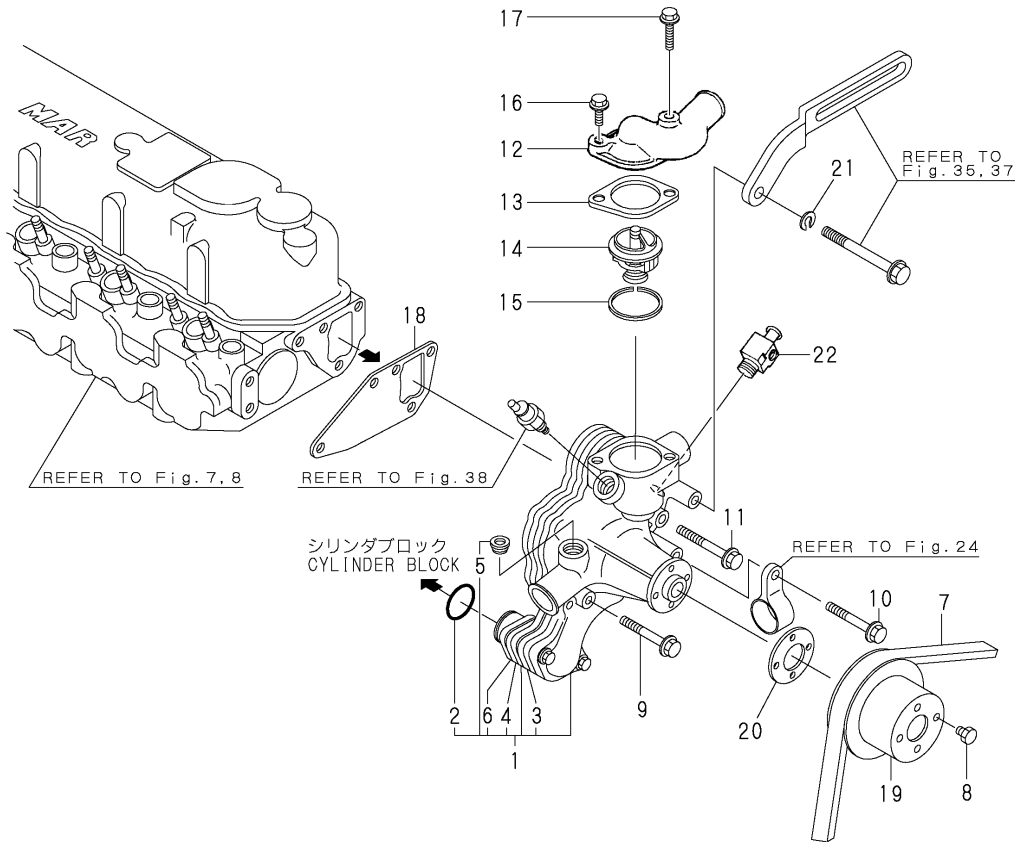
Fig.20.COOLING SEA WATER PUMP

(A)=4JH3-HTE (D)=
 (B)=4JH3-DTE (E)=
 (C)= (F)=



REF.	LEV.	PARTS NO.	DESCRIPTION	QTY						I	R
				(A)	(B)	(C)	(D)	(E)	(F)		
1	1	129670-42500	PUMP,SEA WATER	1	1						
I	1-1	129670-42501 (A=E/#20449)	PUMP ASSY, C. WATER (B=E/#30455)	1	1						R
I	1-2	129670-42510 (A=E/#20607)	PUMP ASSY, C. WATER (B=E/#30529)	1	1						N
3	2	129670-42530	IMPELLER	1	1						
4	2	X0146531	SHAFT	1	1						
5	2	129670-42540	PLATE	1	1						
6	2	129670-42520	COVER	1	1						
I	7	X0145680 (A=E/#20607)	WASHER (B=E/#30529)	1	1						Z
8	2	X0504550	BOLT	4	4						
I	8-1	119175-42620 (A=FROM 1ST)	SCREW (B=FROM 1ST)	4	4						R
9	2	X0506590	O-RING	1	1						
10	2	X0508129	BEARING	2	2						
I	11	X0520115 (A=E/#20607)	SEAL, MECHANICAL (B=E/#30529)	1	1						Z
12	2	X0519503	V-RING	1	1						
13	2	X0505526	LOCKNUT	1	1						
14	2	X0529105	LIP SEAL	1	1						
15	2	X0529530	LIP SEAL	1	1						
16	2	X053421	CIRCLIP	1	1						
17	2	129670-42580	KEY	1	1						
18	2	X01357681	CONNECTION	1	1						
19	2	X0534130	CIRCLIP	1	1						
I	20	X0534105 (A=E/#20607)	CIRCLIP (B=E/#30529)	1	1						Z
I	21	129670-42550 (A=E/#20607)	WASHAER (B=E/#30529)	1	1						W
I	22	129670-42560 (A=E/#20607)	MECHANICAL SHEEL (B=E/#30529)	1	1						W
I	23	129670-42570 (A=E/#20607)	CIRCLIP (B=E/#30529)	1	1						W
24	1	129670-42700	GEAR	1	1						
25	1	129150-01881	GASKET, (NON ASB.)	1	1						
26	1	26106-080162	BOLT M 8X 16 PLATED	3	3						
27	1	26306-080002	NUT	1	1						
28	1	124240-01871	COVER, HO-P	1	1						
29	1	26106-080162	BOLT M 8X 16 PLATED	3	3						
30	1	26306-080002	NUT	1	1						

Fig.21.COOLING FRESH WATER PUMP

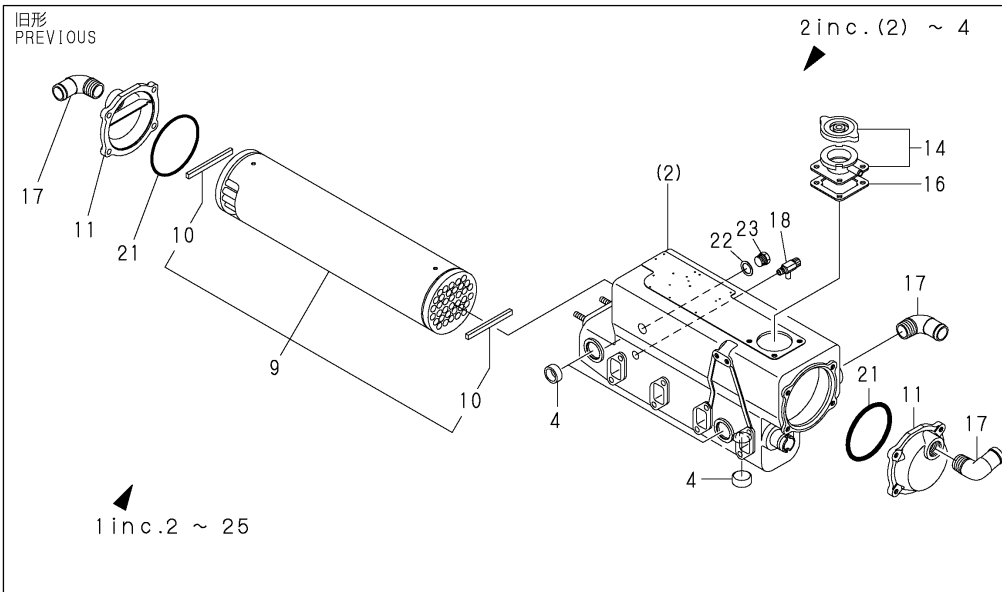
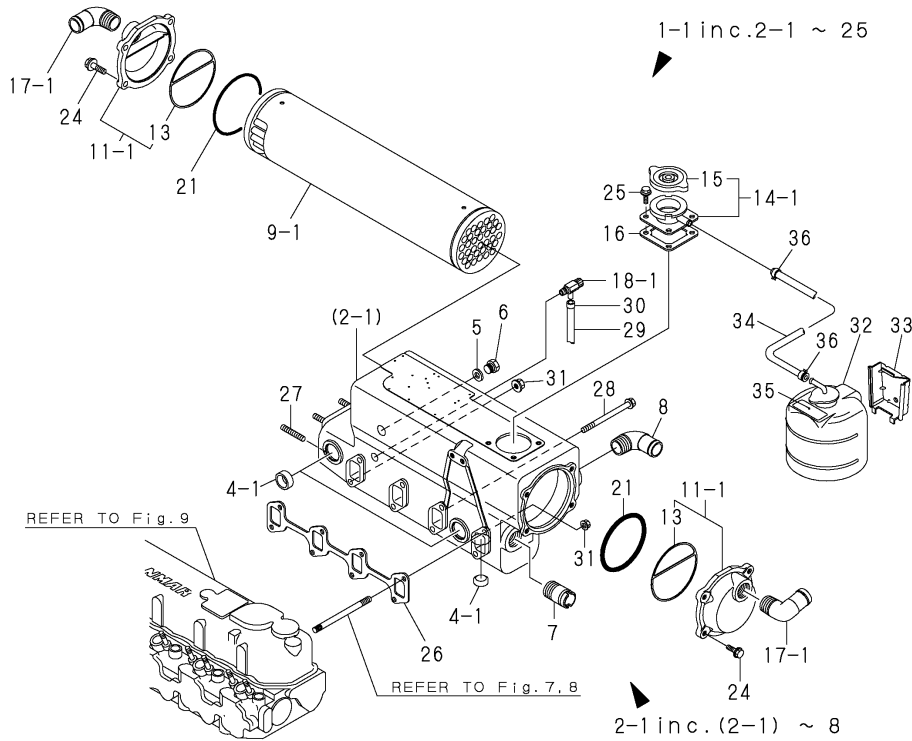


(A)=4JH3-HTE (D)=
 (B)=4JH3-DTE (E)=
 (C)= (F)=

REF.	LEV.	PARTS NO.	DESCRIPTION	QTY						I	R
				(A)	(B)	(C)	(D)	(E)	(F)		
1	1	129470-42001	PUMP ASSY, C.F.WATER	1	1						
I 1-1	1	129470-42002	PUMP ASSY, C.F.WATER	1	1						R
		(A=E/#21623) (B=E/#31409)									
2	2	129150-42320	O-RING	1	1						
I 2-1	2	129054-42320	O-RING	1	1						N
		(A=E/#21623) (B=E/#31409)									
3	2	129470-42050	GASKET	1	1						
I 3-1	2	129052-42050	GASKET	1	1						R
		(A=E/#21623) (B=E/#31409)									
4	2	129470-42310	GASKET	1	1						
I 4-1	2	129052-42310	GASKET, OUTER	1	1						R
		(A=E/#21623) (B=E/#31409)									
5	2	124085-11690	PLUG NPT 3/8	3	3						
I 5-1	2	23875-030000	PLUG PT3/8,STEEL	3	3						S
		(A=E/#21623) (B=E/#31409)									
6	2	129150-42300	PIPE, C. W. PUMP	1	1						
7	1	25132-004600	V-BELT	1	1						
8	1	26106-060102	BOLT M 6X 10 PLATED	4	4						
9	1	26106-080552	BOLT M 8X 55 PLATED	2	2						
10	1	26106-080602	BOLT M 8X 60 PLATED	1	1						
11	1	26106-080652	BOLT M, 8X 65 PLATED	1	1						
12	1	129573-49540	COVER	1	1						
13	1	129795-49551	GASKET, (NON-ASB.)	1	1						
14	1	129470-49801	THERMOSTAT	1	1						
15	1	129470-49810	GASKET, (NON-ASB.)	1	1						
16	1	26106-080252	BOLT M 8X 25 PLATED	1	1						
17	1	26106-080502	BOLT M 8X 50 PLATED	1	1						
18	1	129150-42020	GASKET, C.W. PUMP	1	1						
I 18-1	1	129486-42050	GASKET	1	1						R
		(A="2002.10) (B="2002.10)									
19	1	129550-42350	V-PULLEY(D=120)	1	1						
20	1	129156-44760	WASHER	1	1						
21	1	22217-080000	SPRING WASHER 8	1	1						
22	1	129473-49310	JOINT	1	1						

Fig.22.COOLING FRESH WATER COOLER

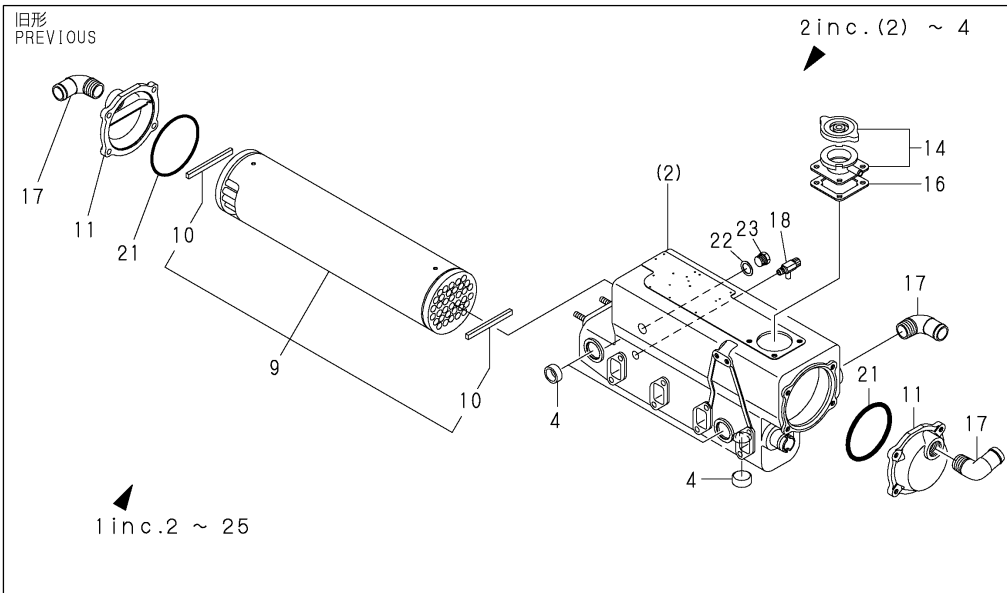
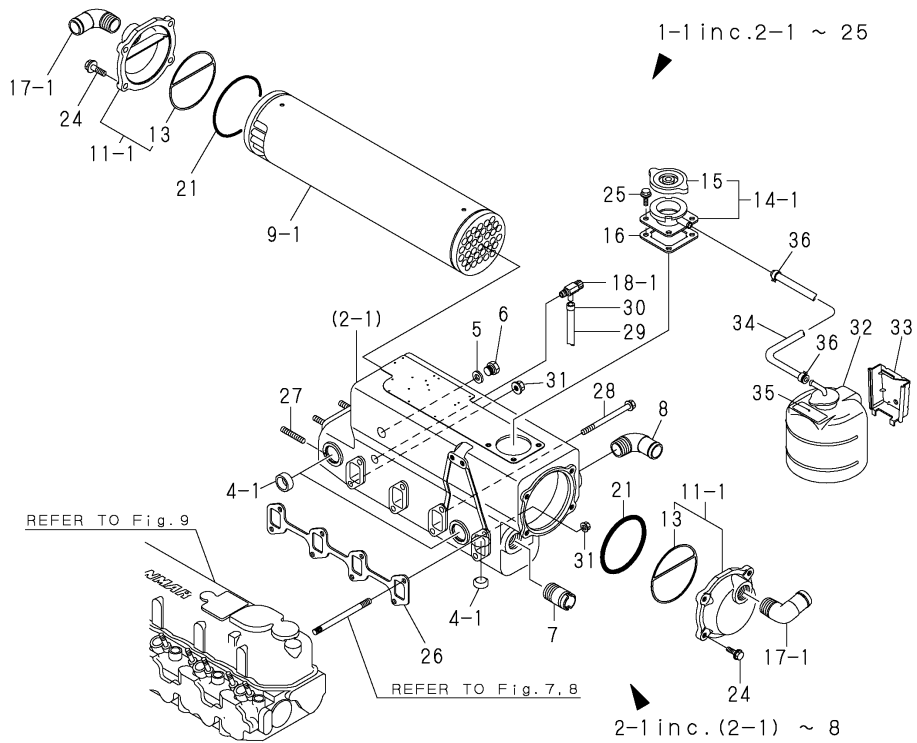
(A)=4JH3-HTE (D)=
 (B)=4JH3-DTE (E)=
 (C)= (F)=



REF.	LEV.	PARTS NO.	DESCRIPTION	QTY						I	R
				(A)	(B)	(C)	(D)	(E)	(F)		
1	1	129673-44900	EXCHANGER ASSY CFW	1	1						
I 1-1	1	129693-44900 (A=E/#21397) (B=E/#31309)	EXCHAGER ASSY CFW	1	1						N
2	2	129673-44000	HEAT EXCHANGER ASSY	1	1						
I 2-1	2	129693-44000 (A=E/#21397) (B=E/#31309)	HEAT EXCHANGER ASSY	1	1						S
4	3	27241-280000	PLUG 28	8	8						
I 4-1	3	27241-280000 (A=E/#21397) (B=E/#31309)	PLUG 28	4	4						K
I 5	3	23894-030002 (A=E/#21397) (B=E/#31309)	PLUG G3/8,HEX.	1	1						W
I 6	3	23414-170000 (A=E/#21397) (B=E/#31309)	GASKET 17, ROUND	1	1						W
I 7	3	124160-49480 (A=E/#21397) (B=E/#31309)	JOINT, PIPE	1	1						W
I 8	3	123325-49490 (A=E/#21397) (B=E/#31309)	ELBOW	1	1						W
9	2	129673-44400	CORE ASSY,COOLER	1	1						
I 9-1	2	129693-44110 (A=E/#21397) (B=E/#31309)	CORE ASSY, COOLER	1	1						S
10	3	129673-44490	SEALING	2	2						W
I 10-1	3	129673-44490 (A=FROM 1ST) (B=FROM 1ST) (A=E/#21397) (B=E/#31309)	SEALING	2	2						Z
11	2	129673-44410	COVER	2	2						
I 11-1	2	129693-44400 (A=E/#21397) (B=E/#31309)	COVER	2	2						S
I 13	3	129693-44420 (A=E/#21397) (B=E/#31309)	GASKET	2	2						W
14	2	129670-44600	FILLER CMP	1	1						
I 14-1	2	129171-44600 (A=E/#21081) (B=E/#31003)	FILLER ASSY	1	1						R
I 15	3	129107-44590 (A=E/#21081) (B=E/#31003)	CAP, RADIATOR	1	1						W
16	2	120445-44640	GASKET	1	1						
17	2	129673-44420	ELBOW	3	3						
I 17-1	2	123325-49490 (A=E/#21397) (B=E/#31309)	ELBOW	2	2						R
18	2	120130-49350	COCK 1/4	1	1						
I 18-1	2	119620-49290 (A=E/#20287) (B=E/#30353)	COCK ASSY 1/4	1	1						N
21	2	24321-001000	O-RING 1A G-100.0	2	2						
I 22	2	23414-170000 (A=E/#21397) (B=E/#31309)	GASKET 17, ROUND	1	1						Z
I 23	2	23894-030002 (A=E/#21397) (B=E/#31309)	PLUG G3/8,HEX.	1	1						Z
24	2	26106-080252	BOLT M 8X 25 PLATED	8	8						
25	2	26106-080162	BOLT M 8X 16 PLATED	4	4						
26	1	129550-13110	GASKET, EXH.MANIFOLD	1	1						
27	1	128170-13600	STUD	4	4						
28	1	129693-44310	BOLT(CFW COOLER	6	6						
29	1	23061-070300	PIPE 7X 300	1	1						
30	1	23080-008000	CLAMP 8	1	1						
31	1	26306-080002	NUT	2	2						

++ CONTINUE ++

Fig.22.COOLING FRESH WATER COOLER

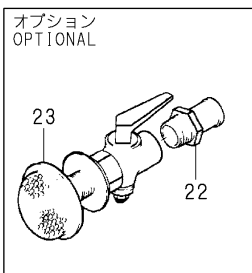
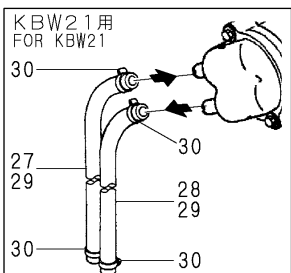
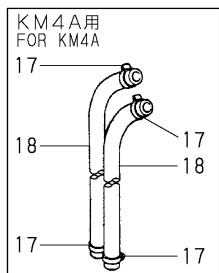
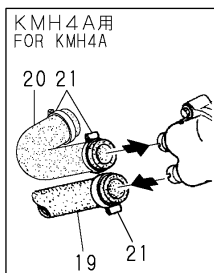
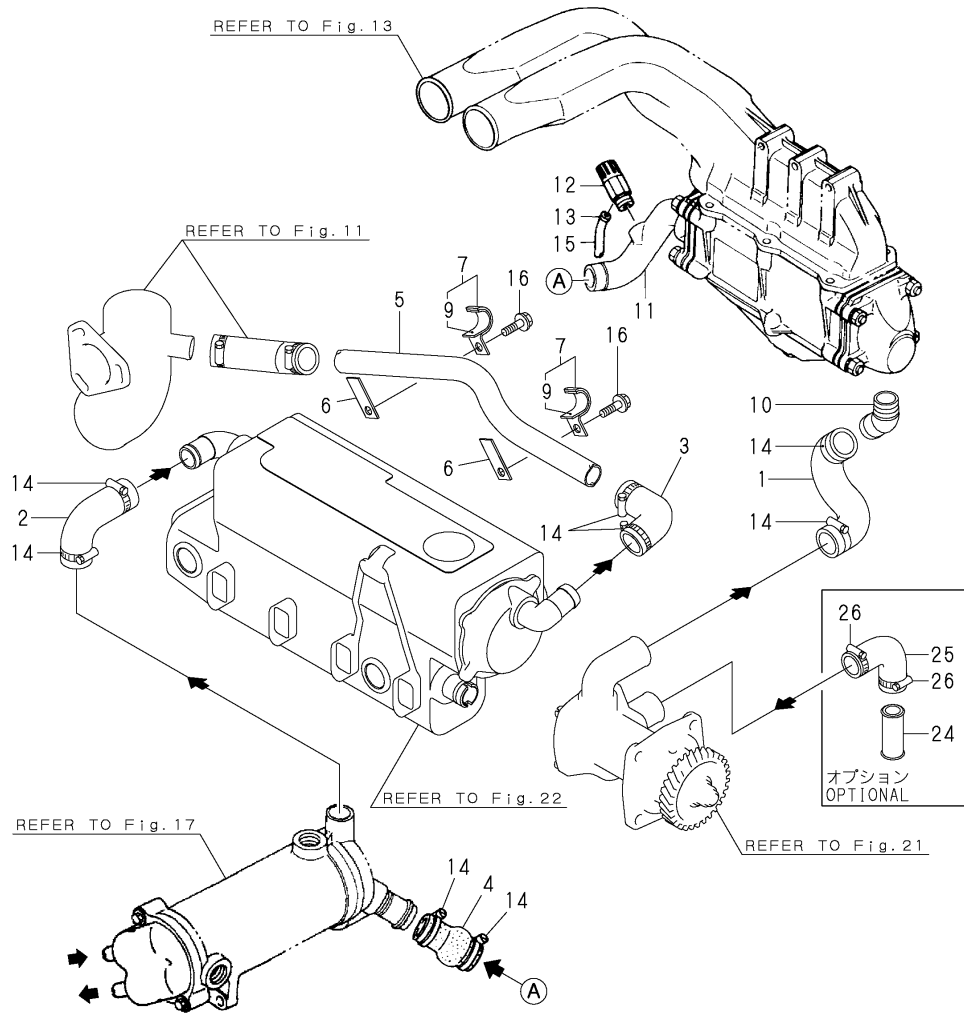


(A)=4JH3-HTE (D)=
(B)=4JH3-DTE (E)=
(C)= (F)=

REF.	LEV.	PARTS NO.	DESCRIPTION	----- QTY -----						I R
				(A)	(B)	(C)	(D)	(E)	(F)	
32	1	128397-44500	TANK ASSY, RESERVE	1	1					
33	1	128397-44510	BRACKET, SUB-TANK	1	1					
34	1	124790-44560	PIPE, C. WATER	1	1					
35	1	129670-44570	LABEL	1	1					
36	1	23010-013000	CLAMP 13	2	2					

Fig.23.COOLING SEA WATERPIPE

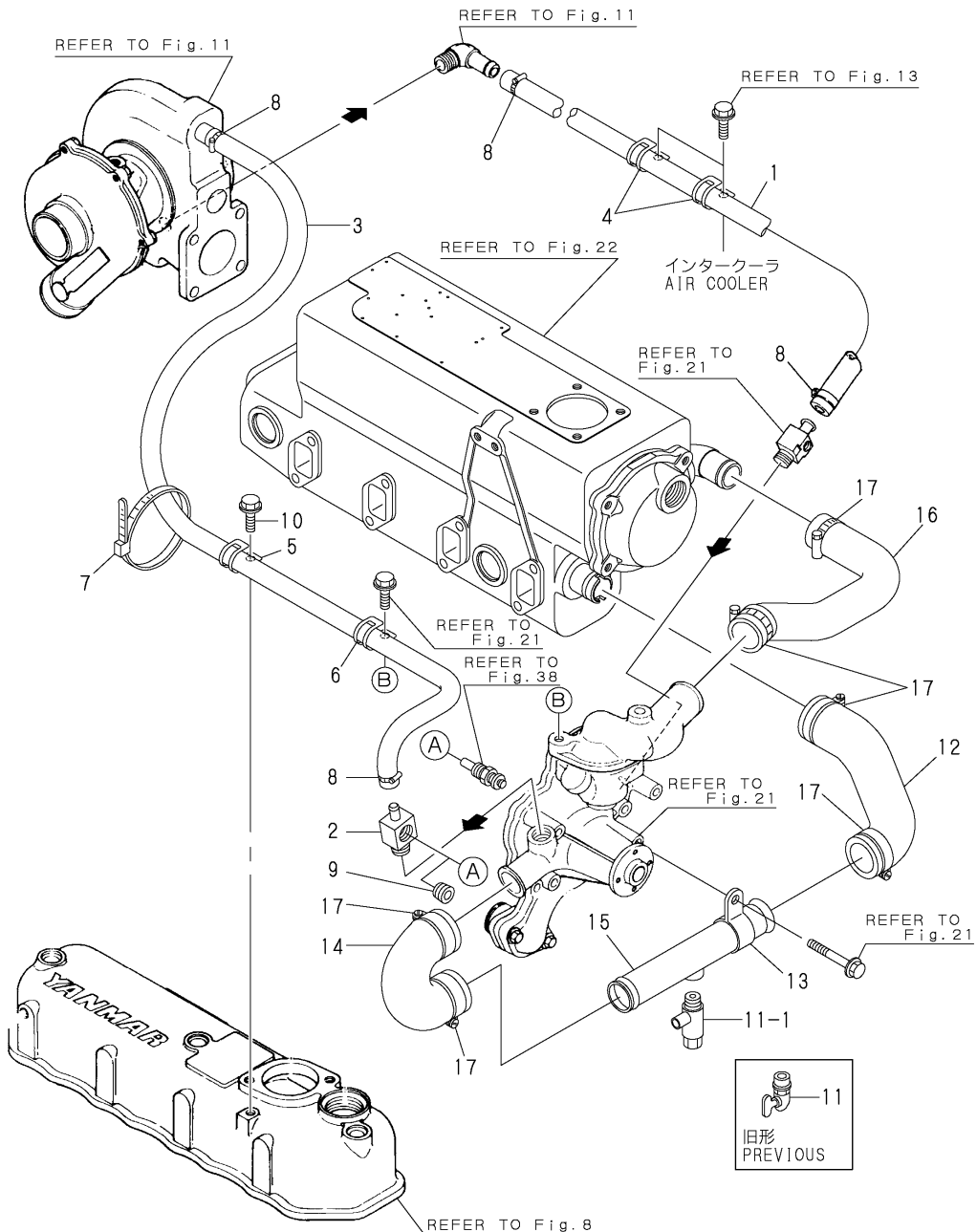
(A)=4JH3-HTE (D)=
 (B)=4JH3-DTE (E)=
 (C)= (F)=



REF.	LEV.	PARTS NO.	DESCRIPTION	QTY						I	R
				(A)	(B)	(C)	(D)	(E)	(F)		
1	1	129672-49010	PIPE, COOLING WATER	1	1						
I 1-1	1	129673-49010 (A=E/#20607) (B=E/#30529)	CSW PIPE(CLUTCH IN)	1	1						R
2	1	129693-49010	PIPE	1	1						
I 2-1	1	129673-49040 (A=E/#20607) (B=E/#30529)	CSW PIPE	1	1						R
3	1	129693-49010	PIPE	1	1						
I 3-1	1	129673-49040 (A=E/#20607) (B=E/#30529)	CSW PIPE	1	1						R
4	1	129672-49020	PIPE,COOLING WATER	1	1						
I 4-1	1	129673-49020 (A=E/#20607) (B=E/#30529)	CSW PIPE(CLUTCH OUT)	1	1						R
5	1	129698-49020	PIPE, COOLING WATER	1	1						
6	1	129693-49040	CLAMP B	2	2						
7	1	129693-49050	CLAMP CMP	2	2						
9	2	127675-82650	SEAT	2	2						
10	1	129673-49060	JOINT, 45	1	1						
11	1	129474-49020	BEND	1	1						
12	1	120130-49350	COCK 1/4	1	1						
I 12-1	1	119620-49290 (A=E/#20287) (B=E/#30353)	COCK ASSY 1/4	1	1						N
13	1	124460-77680	RETAINER	1	1						
14	1	23000-035000	CLAMP 35	8	8						
I 14-1	1	129670-49500 (A=E/#20955) (B=E/#30887)	HOSE CLIP 38	8	8						R
15	1	23061-070300	PIPE 7X 300	1	1						
16	1	26106-080162	BOLT M 8X 16 PLATED	2	2						
17	1	23000-022000	CLAMP 22	4	4						
18	1	23072-040300	HOSE (13/20X300)	2	2						
I 18-1	1	129673-49030 (A=E/#20607) (B=E/#30529)	CSW PIPE	2	2						R
19	1	129494-49050	PIPE	1	1						
I 19-1	1	129673-49070 (A=E/#20929) (B=E/#30857)	PIPE,CSW(F)	1	1						R
20	1	129494-49060	PIPE	1	1						
I 20-1	1	129673-49080 (A=E/#20929) (B=E/#30857)	PIPE,CSW(F)	1	1						R
21	1	23000-035000	CLAMP 35	4	4						
I 21-1	1	129670-49500 (A=E/#20955) (B=E/#30887)	HOSE CLIP 38	4	4						R
22	1	43530-500570	JOINT	1	1						
23	1	43662-025030	COCK ASSY, SEA WATER	1	1						
24	1	129490-49070	JOINT	1	1						
25	1	129171-49900	JOINT, RUBBER	1	1						
26	1	23000-035000	CLAMP 35	2	2						
I 26-1	1	129670-49500 (A=E/#20955) (B=E/#30887)	HOSE CLIP 38	2	2						R
27	1	129673-49030	CSW PIPE	1							
28	1	129673-49100	CSW PIPE	1							
29	1	23072-040300	HOSE (13/20X300)		2						
30	1	23000-022000	CLAMP 22	4	4						

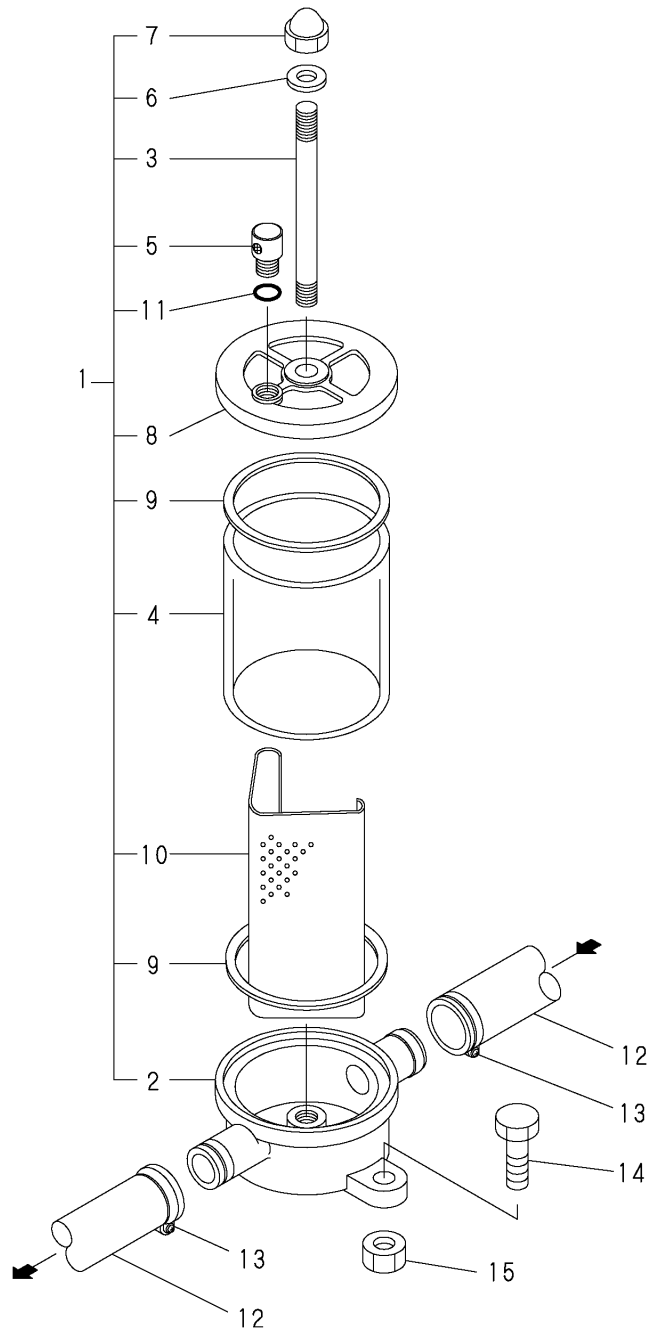
Fig.24.COOLING FRESH WATER PIPE

(A)=4JH3-HTE (D)=
 (B)=4JH3-DTE (E)=
 (C)= (F)=



REF.	LEV.	PARTS NO.	DESCRIPTION	QTY						I	R
				(A)	(B)	(C)	(D)	(E)	(F)		
1	1	127420-44560	PIPE	1	1						
2	1	129473-49310	JOINT	1	1						
3	1	129693-44560	PIPE(OVER FLOW	1	1						
4	1	194440-51620	CLAMP, WIRE HARNESS	2	2						
5	1	194440-51620	CLAMP, WIRE HARNESS	1	1						
6	1	194440-51620	CLAMP, WIRE HARNESS	1	1						
7	1	121750-59890	CLAMP 140	1	1						
8	1	23000-013000	CLAMP 13	4	4						
9	1	23876-030000	PLUG PT3/8,SCREW	1	1						
10	1	26106-060102	BOLT M 6X 10 PLATED	1	1						
11	1	128695-44090	COCK PT1/8	1	1						
I 11-1	1	129670-49290	COCK R1/8 ASSY	1	1						N
(A=E/#20381) (B=E/#30425)											
12	1	129470-49200	JOINT	1	1						
I 12-1	1	129673-49220	CFW PIPE	1	1						N
(A=E/#20607) (B=E/#30529)											
13	1	129470-49220	RETAINER	1	1						
14	1	129470-49240	JOINT 28	1	1						
I 14-1	1	129673-49230	CFW PIPE	1	1						N
(A=E/#20607) (B=E/#30529)											
15	1	129470-49250	PIPE, C. FRESH WATER	1	1						
16	1	129693-49260	PIPE, COOLING WATER	1	1						
I 16-1	1	129673-49210	CFW PIPE	1	1						N
(A=E/#20607) (B=E/#30529)											
17	1	23000-035000	CLAMP 35	6	6						
I 17-1	1	129670-49500	HOSE CLIP 38	6	6						R
(A=E/#20955) (B=E/#30887)											

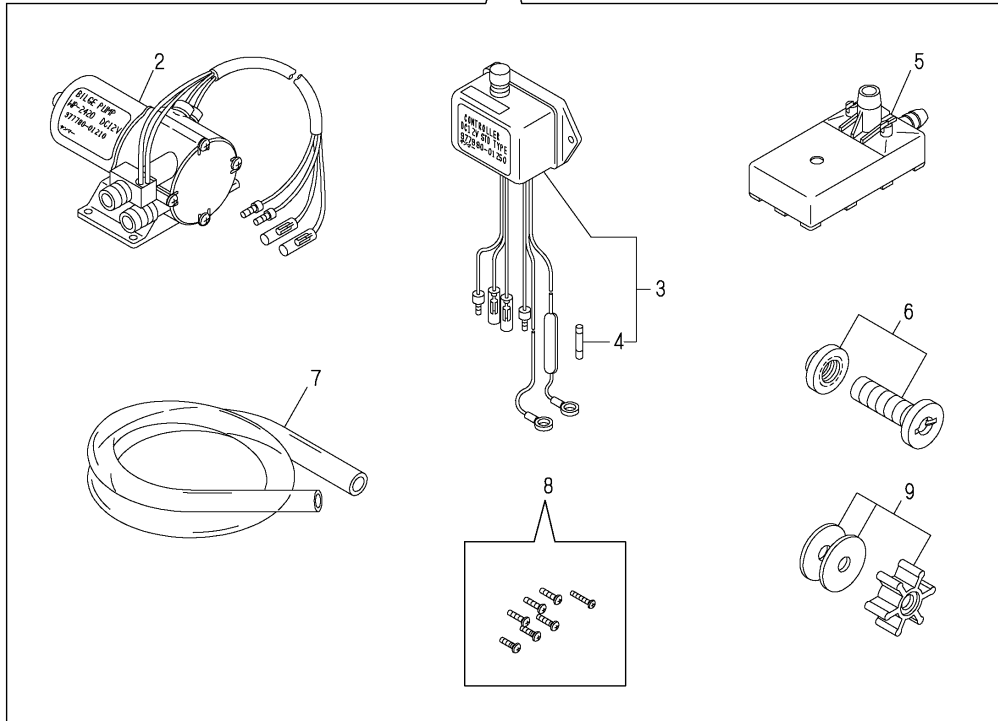
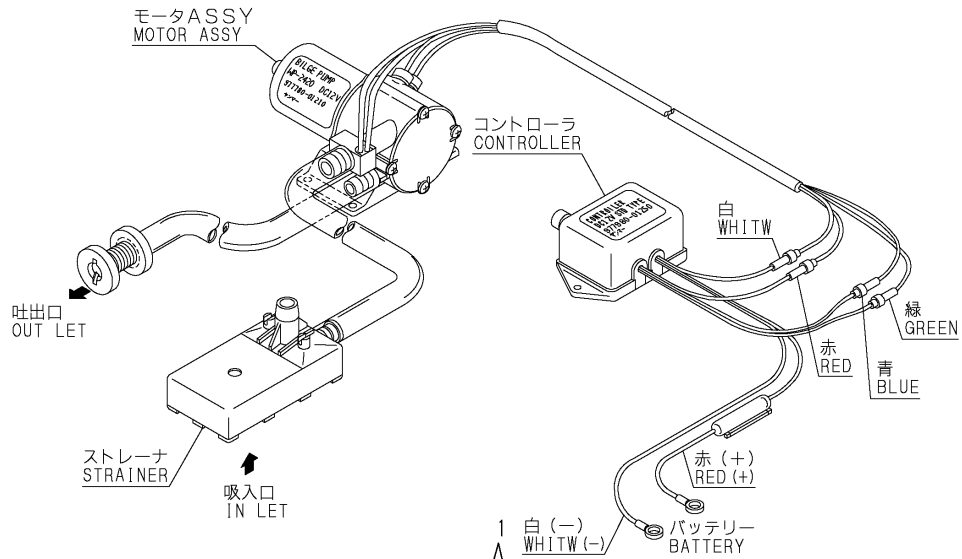
Fig.25.C.S.W.STRAINER(OPTIONAL)



(A)=4JH3-HTE (D)=
 (B)=4JH3-DTE (E)=
 (C)= (F)=

REF.	LEV.	PARTS NO.	DESCRIPTION	Q'TY						I	R
				(A)	(B)	(C)	(D)	(E)	(F)		
1	1	129795-48800	STRAINER	1	1						
2	2	XTST25S001	BODY	1	1						
3	2	XTST25S002	BOLT M 8X125	1	1						
4	2	XTST25S003	PIPE, OUTER	1	1						
5	2	XTST25S004	PLUG M 8	1	1						
6	2	XTST25S005	PACKING	1	1						
7	2	26664-080002	CAP NUT M 8	1	1						
8	2	XTST25S007	COVER	1	1						
9	2	XTST25S008	PACKING	2	2						
10	2	XTST25S009	FILTER	1	1						
11	2	24311-000060	O-RING 1A P-6.0	1	1						
12	1	23072-101000	HOSE (25/33X1000)	1	1						
13	1	23000-041000	CLAMP 41	2	2						
I 13-1	1	129670-49500	HOSE CLIP 38	2	2						R
		(A=E/#20955) (B=E/#30887)									
14	1	26116-080302	BOLT 8X30	2	2						
15	1	26703-080002	NUT M 8	2	2						

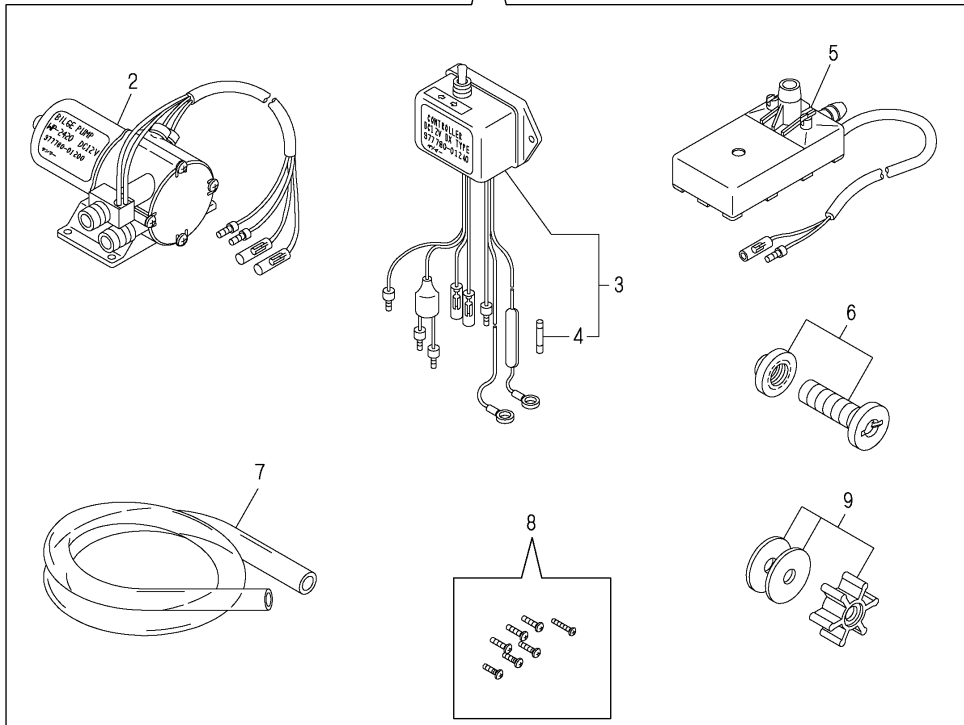
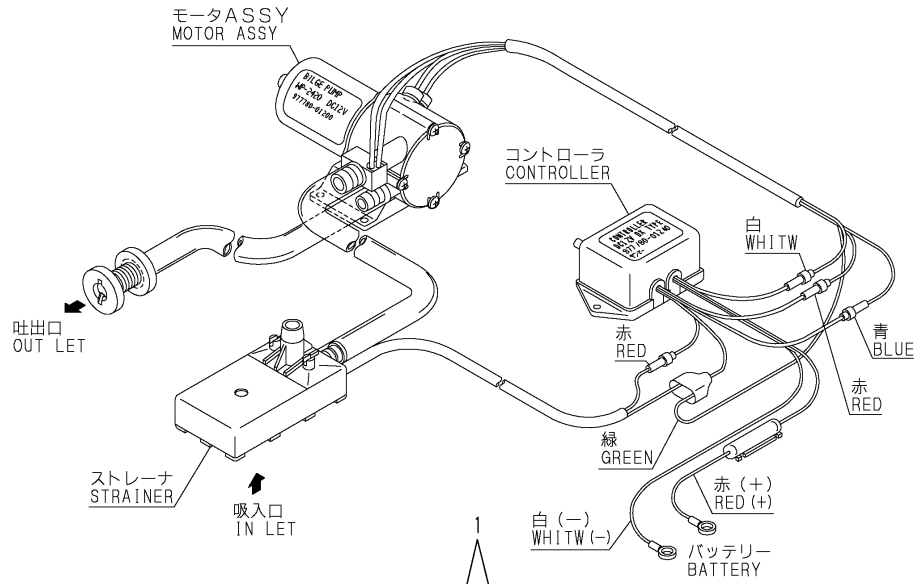
Fig.26.BILGE PUMP(STD)



(A)=4JH3-HTE (D)=
(B)=4JH3-DTE (E)=
(C)= (F)=

REF.	LEV.	PARTS NO.	DESCRIPTION	QTY						I	R
				(A)	(B)	(C)	(D)	(E)	(F)		
1	1	977780-01210	PUMP(12V).BILGE	1	1						
2	2	977780-01230	MOTOR ASSY(BILG PUMP)	1	1						
3	2	977780-01250	CONTROLLER	1	1						
4	3	X8636008003	FUSE	1	1						
5	2	X179100021X	STRAINER	1	1						
6	2	X179100100X	PIPE ASSY	1	1						
7	2	X0044021509	HOSE A	1	1						
8	2	X199903800X	SCREW KIT	1	1						
9	2	977780-03000	INPELLER	1	1						

Fig.27.BILGE PUMP(DX)

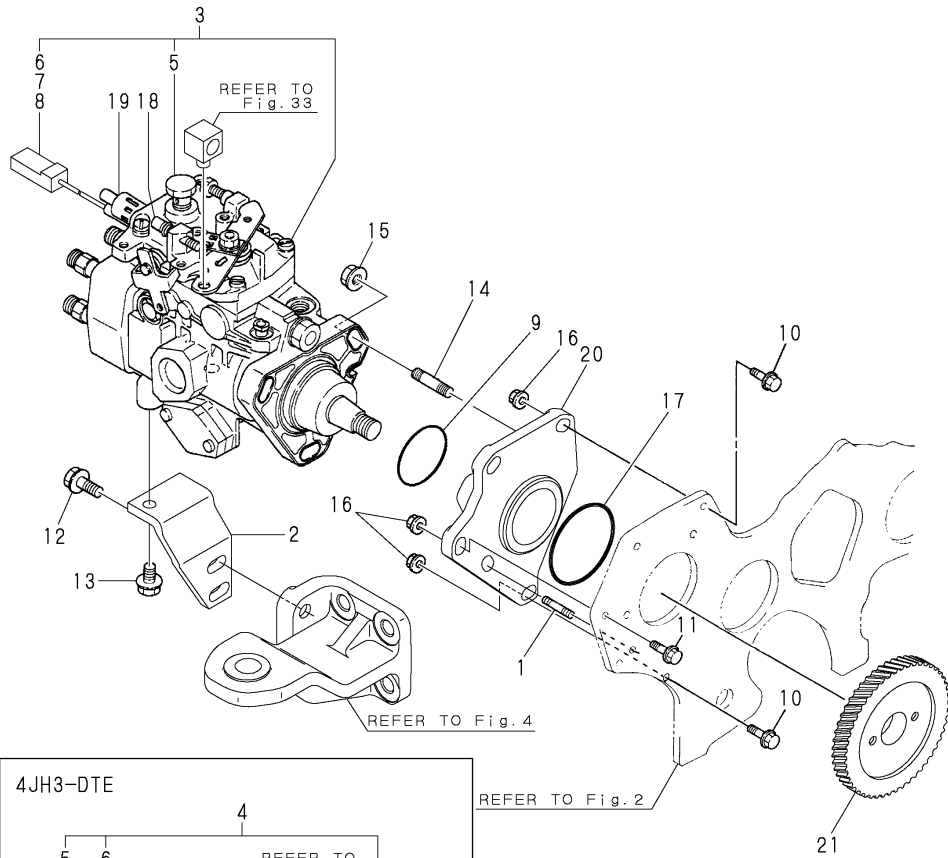


(A)=4JH3-HTE (D)=
 (B)=4JH3-DTE (E)=
 (C)= (F)=

REF.	LEV.	PARTS NO.	DESCRIPTION	QTY						I	R
				(A)	(B)	(C)	(D)	(E)	(F)		
1	1	977780-01200	PUMP(12V).BILGE	1	1						
2	2	977780-01230	MOTOR ASSY(BILG PUMP)	1	1						
3	2	977780-01240	CONTROLLER	1	1						
4	3	X8636008003	FUSE	1	1						
5	2	X179100011X	STRAINER	1	1						
6	2	X179100100X	PIPE ASSY	1	1						
7	2	X0044021509	HOSE A	1	1						
8	2	X199903800X	SCREW KIT	1	1						
9	2	977780-03000	INPELLER	1	1						

(A)=4JH3-HTE (D)=
 (B)=4JH3-DTE (E)=
 (C)= (F)=

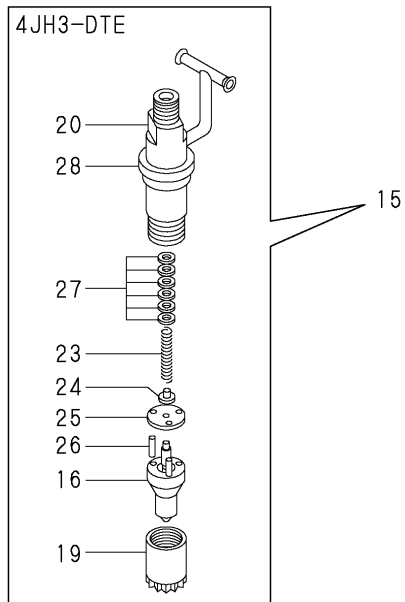
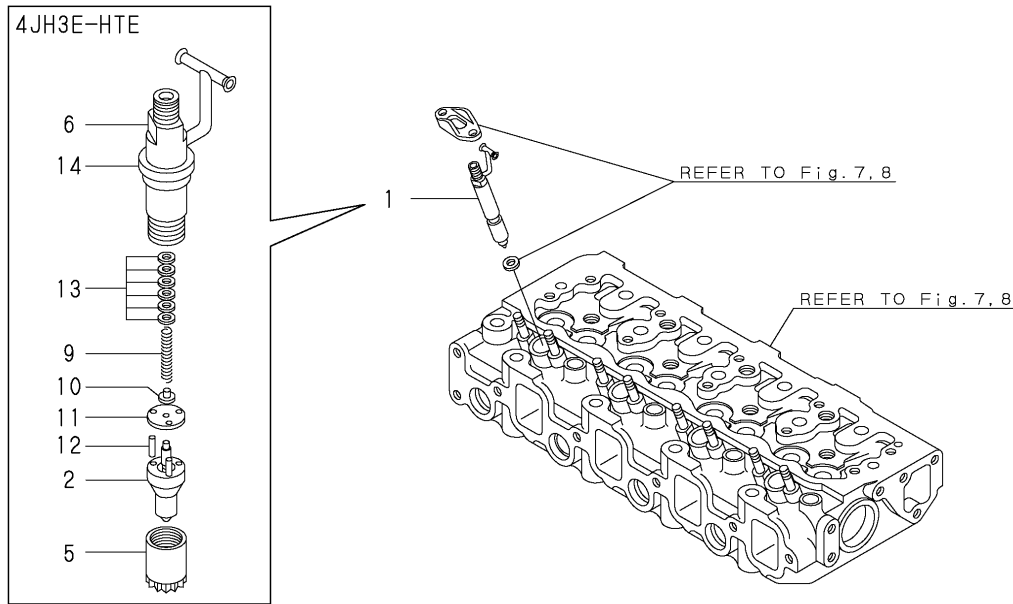
Fig.28.FUEL INJECTION PUMP



REF.	LEV.	PARTS NO.	DESCRIPTION	QTY						I	R
				(A)	(B)	(C)	(D)	(E)	(F)		
1	1	121450-01560	STUD M 8X 22	1	1						
2	1	129673-51250	RETAINER	1	1						
3	1	129672-51900	FUEL INJ. PUMP ASSY	1							
4	1	129698-51901	FUEL INJECTION PUMP		1						
5	2	119171-59200	BOLT, PIPE JOINT	1	1						
6	2	129693-67210	SPRING	1	1						
7	2	119171-67200	SOLENOID, FUEL CUT	1	1						
8	2	X1466584820	WIRE	1	1						
9	1	24341-000500	O-RING 1A S-50.0	1	1						
10	1	26106-080652	BOLT M 8X 65 PLATED	3	3						
11	1	26106-080752	BOLT M 8X 75 PLATED	1	1						
12	1	26106-100182	BOLT M10X 18 PLATED	1	1						
13	1	26106-100222	BOLT M10X 22 PLATED	2	2						
14	1	26216-080282	STUD M 8X 28 PLATED	3	3						
15	1	26306-080002	NUT	3	3						
16	1	26306-080002	NUT	5	5						
17	1	121850-51960	O-RING, F.I.PUMP	1	1						
I 18	1	129930-61950	CAP	1	1						W
		(A=E/#20245) (B=E/#30345)									
I 19	1	129930-61960	CAP	1	1						W
		(A=E/#20245) (B=E/#30345)									
20	1	129673-54030	BRACKET	1	1						
21	1	129673-25900	GEAR, F.I. PUMP	1	1						

(A)=4JH3-HTE (D)=
 (B)=4JH3-DTE (E)=
 (C)= (F)=

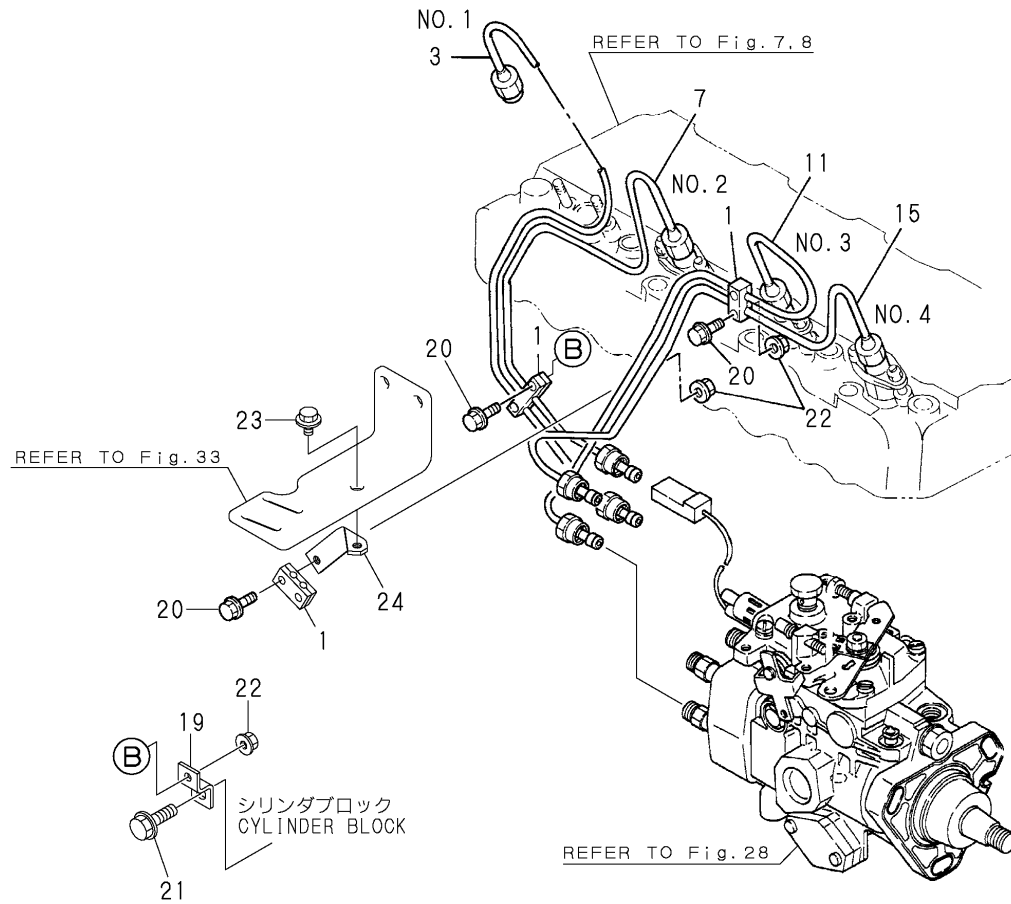
Fig.29.FUEL INJECTION VALVE



REF.	LEV.	PARTS NO.	DESCRIPTION	QTY						I	R	
				(A)	(B)	(C)	(D)	(E)	(F)			
1	1	729692-53100	VALVE ASSY. F.INJECT	4								
I	1-1	1 729672-53100	VALVE ASSY. F.INJECT	4								N
		(A=E/#21461)										
2	2	129692-53000	NOZZL ASSY,F.INJECT	4								
I	2-1	1 129672-53000	NOZZL ASSY,F.INJECT	4								N
		(A=E/#21461)										
5	2	114250-53080	NUT, NOZZLE CASE	4								
6	2	129100-53100	HOLDER ASSY, NOZZLE	4								
9	2	114250-53120	SPRING, NOZZLE	4								
10	2	114250-53130	SEAT, NOZZLE SPRING	4								
11	2	114250-53140	PLATE, STOP	4								
12	2	114250-53210	PIN	8								
13	2	114250-53400	SHIM PACK	4								
14	2	129470-11920	GASKET	4								
15	1	729692-53100	VALVE ASSY. F.INJECT		4							
16	2	129692-53000	NOZZL ASSY,F.INJECT		4							
19	2	114250-53080	NUT, NOZZLE CASE		4							
20	2	129100-53100	HOLDER ASSY, NOZZLE		4							
23	2	114250-53120	SPRING, NOZZLE		4							
24	2	114250-53130	SEAT, NOZZLE SPRING		4							
25	2	114250-53140	PLATE, STOP		4							
26	2	114250-53210	PIN		8							
27	2	114250-53400	SHIM PACK		4							
28	2	129470-11920	GASKET		4							

Fig.30.FUEL INJECTION PIPE

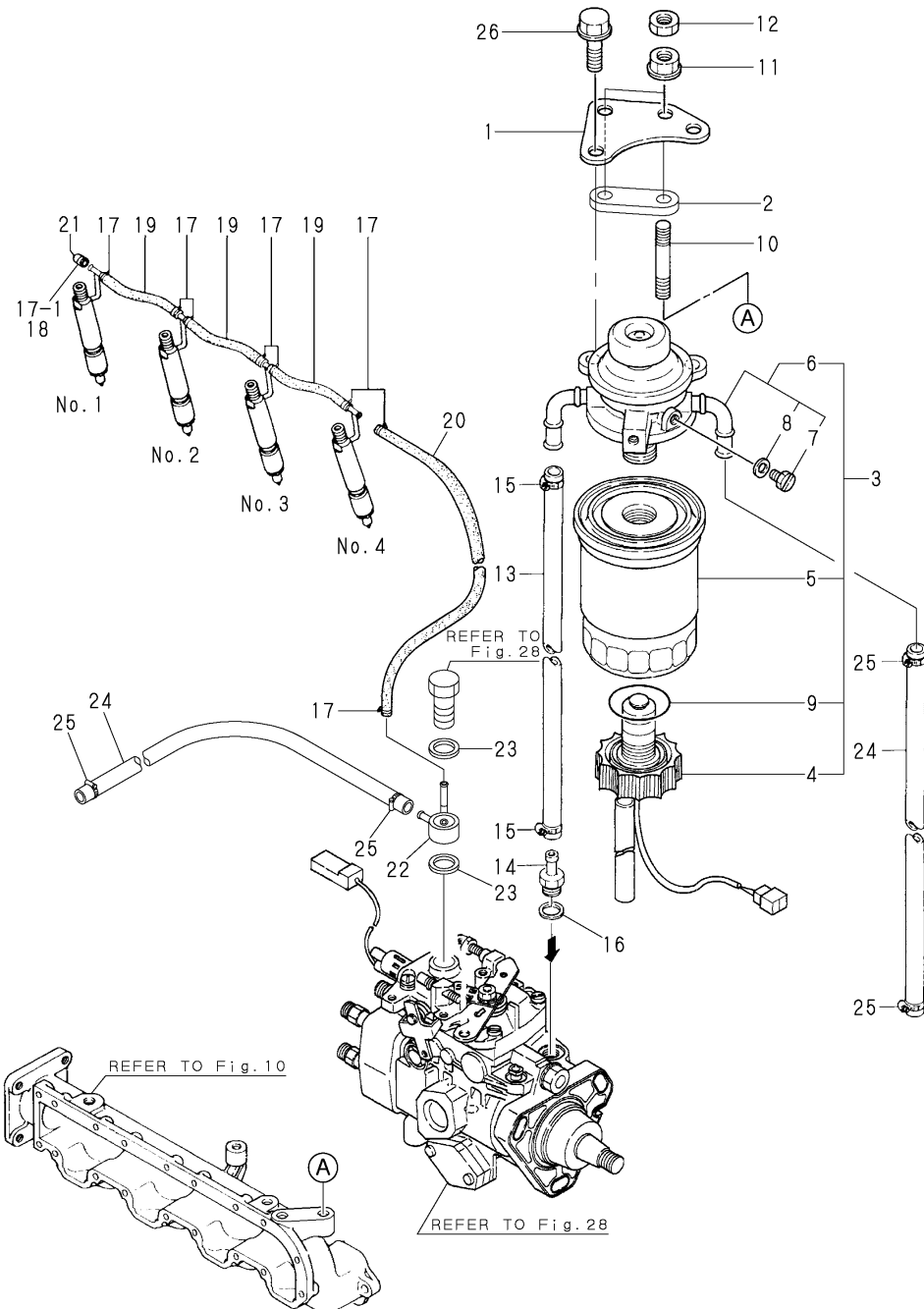
(A)=4JH3-HTE (D)=
 (B)=4JH3-DTE (E)=
 (C)= (F)=



REF.	LEV.	PARTS NO.	DESCRIPTION	QTY						I	R
				(A)	(B)	(C)	(D)	(E)	(F)		
				6	6						
I	1-1	122780-59100	RETAINER	4	4						K
		(A=E/#20245)	(B=E/#30345)								
I	3	129693-59810	PIPE, FUEL INJECTION	1	1						
I	3-1	129693-59811	PIPE, FUEL INJECTION	1	1						N
		(A=E/#20426)	(B=E/#30435)								
I	7	129693-59820	PIPE, FUEL INJECTION	1	1						
I	7-1	129693-59821	PIPE, FUEL INJECTION	1	1						N
		(A=E/#20426)	(B=E/#30435)								
		129693-59830	PIPE, FUEL INJECTION	1	1						
		129693-59840	PIPE, FUEL INJECTION	1	1						
		129574-59950	SUPPORT	1	1						
I	20	26106-060202	BOLT M 6X 20 PLATED	6	6						
I	20-1	26106-060202	BOLT M 6X 20 PLATED	4	4						K
		(A=E/#20245)	(B=E/#30345)								
		26106-080122	BOLT M 8X 12 PLATED	1	1						
I	22	26366-060002	NUT M 6	5	5						
I	22-1	26366-060002	NUT M 6	4	4						K
		(A=E/#20017)	(B=E/#30055)								
I	22-2	26366-060002	NUT M 6	6	6						K
		(A=E/#20245)	(B=E/#30345)								
I	23	26106-060102	BOLT M 6X 10 PLATED	1	1						W
		(A=E/#20017)	(B=E/#30055)								
I	24	129673-59950	CLAMP(F.I.LINE)	1	1						W
		(A=E/#20017)	(B=E/#30055)								

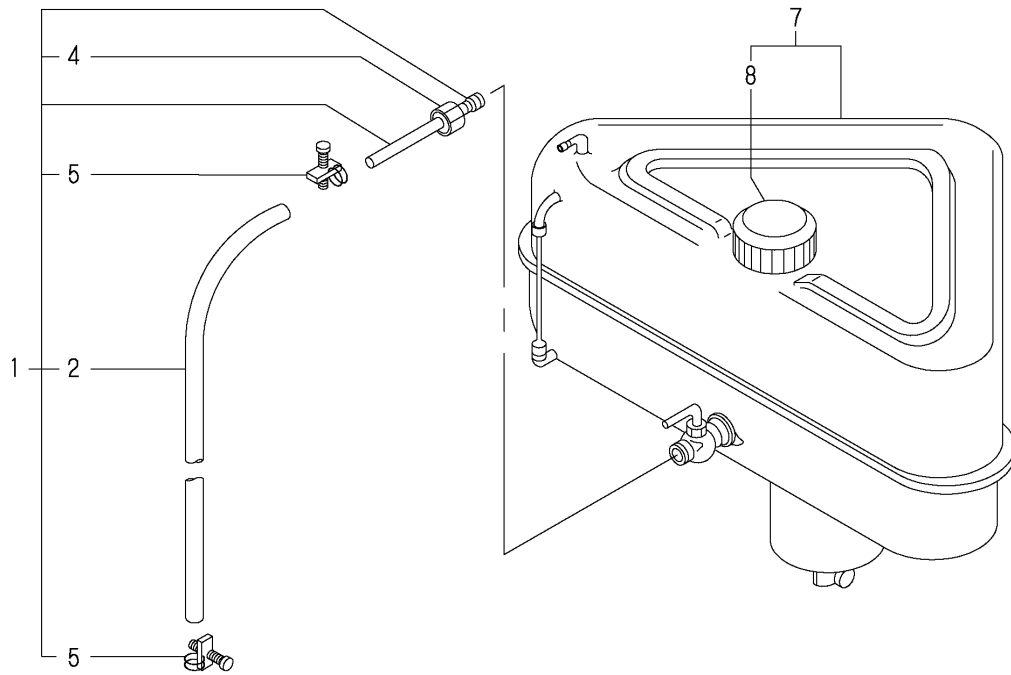
Fig.31.FUEL PIPE

(A)=4JH3-HTE (D)=
 (B)=4JH3-DTE (E)=
 (C)= (F)=



REF.	LEV.	PARTS NO.	DESCRIPTION	QTY						I	R
				(A)	(B)	(C)	(D)	(E)	(F)		
1	1	129673-55650	BRACKET(FO-FILTER	2	2						
2	1	119173-55700	RUBBER	1	1						
3	1	129574-55800	STRAINER ASSY, FUEL	1	1						
4	2	129574-55730	SENSOR	1	1						
5	2	129574-55710	STRAINER	1	1						
I	5-1	2	129574-55711	CARTRIDGE	1	1					N
		(A=E/#20749)	(B=E/#30729)								
6	2	129574-55700	BODY ASSY, VALVE	1	1						
7	3	121857-55750	PLUG	1	1						
8	3	121857-55760	WASHER	1	1						
9	2	129574-55780	O-RING	1	1						W
		(A=FROM 1ST)	(B=FROM 1ST)								
10	1	26216-100352	STUD M10X 35 PLATED	2	2						
11	1	26306-100002	NUT	2	2						
12	1	26716-100002	NUT 10	2	2						
13	1	129470-59540	PIPE, FUEL OIL	1	1						
I	13-1	1	129673-59121	PIPE, FUEL OIL	1	1					N
		(A=E/#20238)	(B=E/#30345)								
14	1	119171-59910	JOINT, PIPE	1	1						
15	1	23080-013000	CLAMP 13,HOSE	2	2						
I	15-1	1	23000-016000	CLAMP 16	2	2					N
		(A=E/#20238)	(B=E/#30345)								
16	1	23414-120000	GASKET 12, ROUND	1	1						
I	16-1	1	22190-120002	SEAL WASHER 12	1	1					N
		(A=E/#20635)	(B=E/#30557)								
17	1	124722-59050	CLAMP 9	8	8						
I	17-1	1	23000-013000	CLAMP 13	9	9					N
		(A=E/#20238)	(B=E/#30345)								
I	18	1	119593-59590	CLIP	1	1					Z
		(A=E/#20238)	(B=E/#30345)								
19	1	129495-59551	PIPE	3	3						
I	19-1	1	129495-59553	PIPE, FUEL OIL	3	3					N
		(A=E/#20238)	(B=E/#30345)								
I	19-2	1	129270-59550	PIPE,FUEL OIL	3	3					R
		(A=E/#20273)	(B=E/#30345)								
20	1	129693-59560	PIPE, FUEL RETURN	1	1						
I	20-1	1	129693-59562	PIPE, FUEL OIL	1	1					N
		(A=E/#20238)	(B=E/#30345)								
21	1	119593-59580	CAP	1	1						
I	21-1	1	129270-59580	CAP	1	1					N
		(A=E/#20238)	(B=E/#30345)								
22	1	129574-59990	JOINT	1	1						
23	1	23414-120000	GASKET 12, ROUND	2	2						
I	23-1	1	22190-120002	SEAL WASHER 12	2	2					N
		(A=E/#20635)	(B=E/#30557)								
24	1	129795-59100	PIPE L4000	1	1						
25	1	23000-016000	CLAMP 16	4	4						
26	1	26106-080252	BOLT M 8X 25 PLATED	2	2						

Fig.32.FUEL TANK

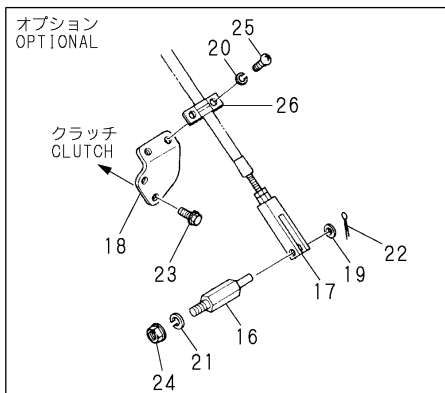
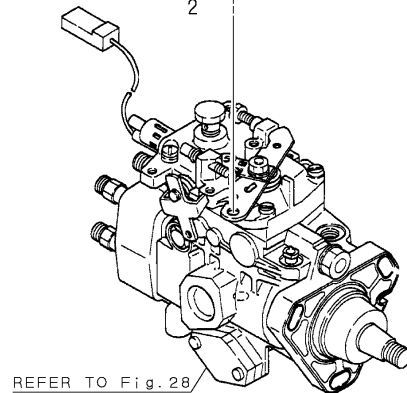
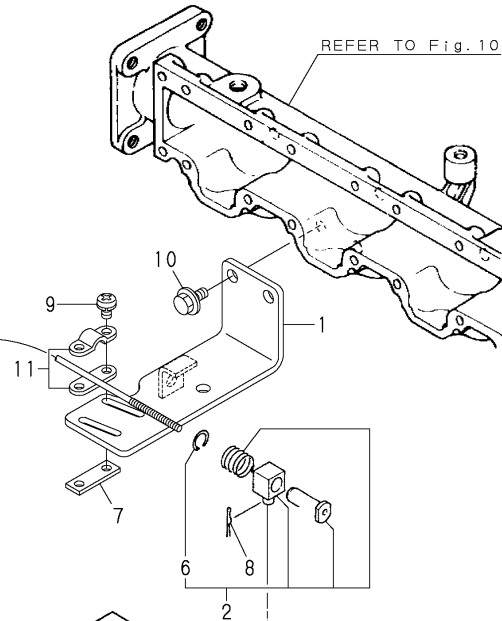
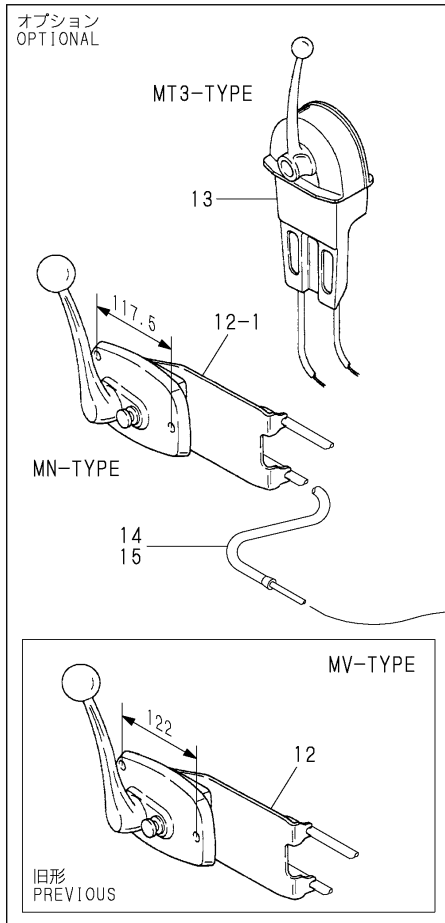


(A)=4JH3-HTE (D)=
 (B)=4JH3-DTE (E)=
 (C)= (F)=

REF.	LEV.	PARTS NO.	DESCRIPTION	Q'TY						I	R
				(A)	(B)	(C)	(D)	(E)	(F)		
1	1	124070-59060	PIPE, FUEL OIL	1	1						
2	2	124070-59130	PIPE, FUEL OIL	1	1						
4	2	138603-59380	CAP NUT	1	1						
5	2	23010-014000	CLAMP 14	2	2						
7	1	83213-003012	TANK (30L), FUEL	1	1						
8	2	105430-55041	CAP, FUEL TANK	1	1						

Fig.33.ENGINE STOP DEVIC

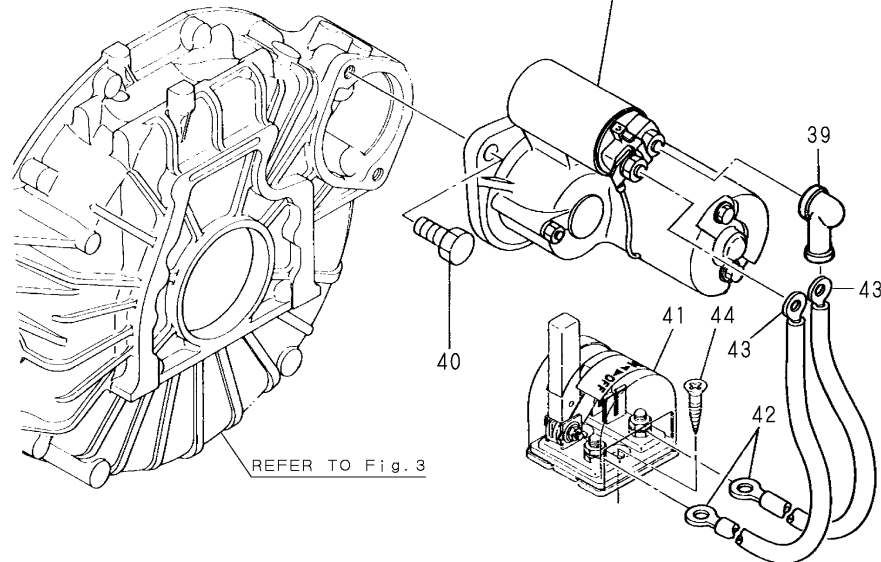
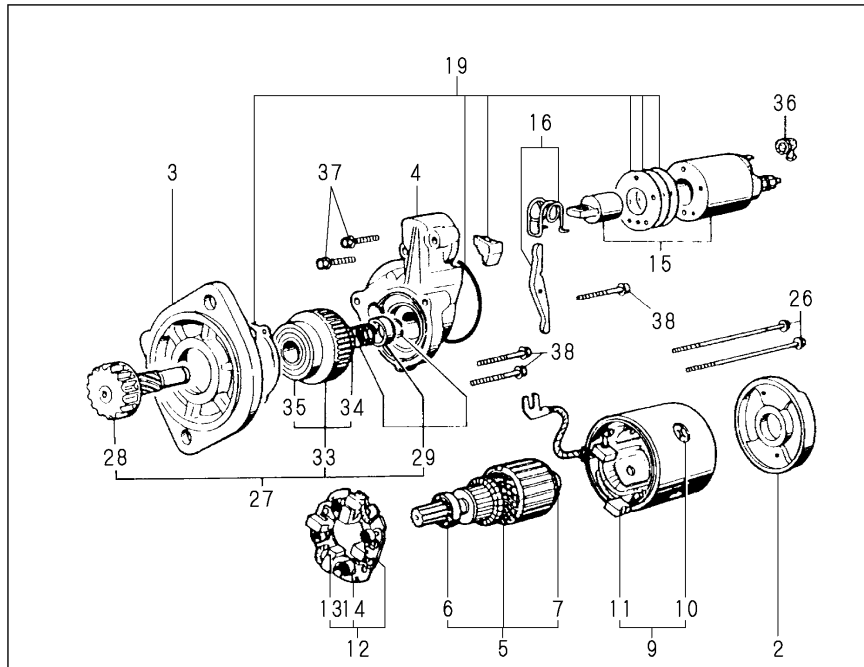
(A)=4JH3-HTE (D)=
 (B)=4JH3-DTE (E)=
 (C)= (F)=



REF.	LEV.	PARTS NO.	DESCRIPTION	QTY						I	R
				(A)	(B)	(C)	(D)	(E)	(F)		
1	1	129693-67101	BRACKET	1	1						
I	1-1	129693-67102	BRACKET	1	1						N
		(A=E/#20245) (B=E/#30345)									
2	1	105311-67200	RETAINER, JOINT	1	1						
6	2	22242-000100	CIRCLIP 10	1	1						
7	1	121574-86320	RETAINER	1	1						
8	1	22414-250150	COTTER PIN 2.5X15	1	1						
9	1	26022-050162	SCREW M 5X 16	2	2						
10	1	26106-080122	BOLT M 8X 12 PLATED	2	2						
11	1	41710-000410	CLAMP	1	1						
12	1	128170-86500	MOUNT	1	1						
I	12-1	128170-86501	REMOCON HEAD (MN)	1	1						S
		(A=E/#21257) (B=E/#31219)									
13	1	41730-000681	MT-3 REMO-CON	1	1						
14	1	41710-000380	CABLE L=4000	2	2						
15	1	129470-86500	CABLE,REMO-CON.(7M)	2	2						
16	1	129470-86250	JOINT	1	1						
17	1	128370-86280	CLEVIS 12SQ-48L	1	1						
18	1	129470-86310	BRACKET	1	1						
19	1	22113-060000	WASHER 6	1	1						
20	1	22217-050000	SPRING WASHER 5	2	2						
21	1	22217-080000	SPRING WASHER 8	1	1						
22	1	22414-160100	COTTER PIN 1.6X10	1	1						
23	1	26106-060162	BOLT M 6X 16 PLATED	2	2						
24	1	26306-080002	NUT	1	1						
25	1	26557-050082	SCREW M 5X 8	2	2						
26	1	41710-000410	CLAMP	1	1						

Fig.34.STARTING MOTOR

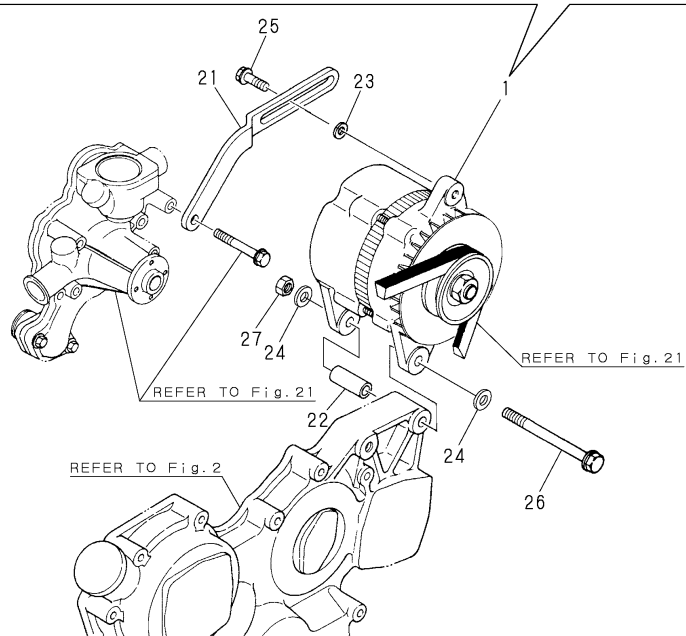
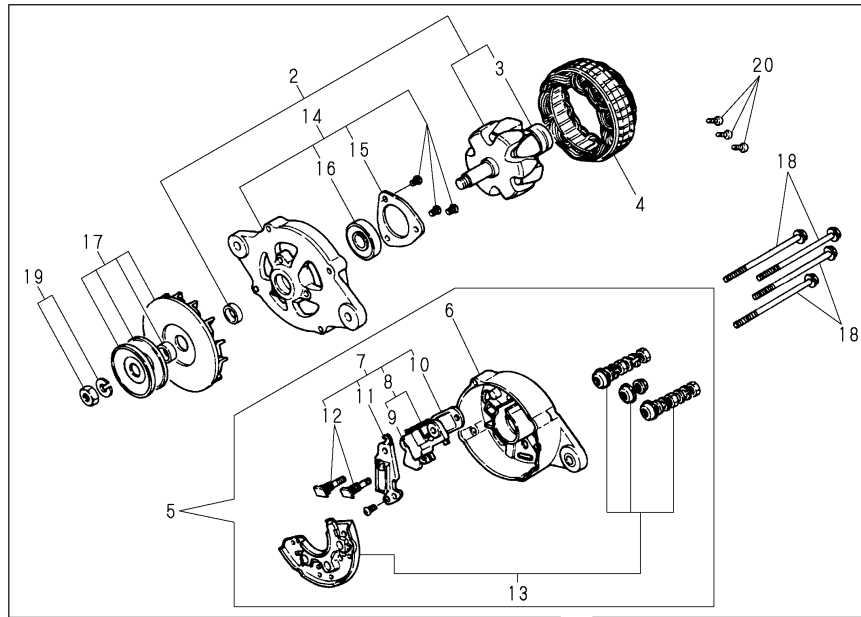
(A)=4JH3-HTE (D)=
 (B)=4JH3-DTE (E)=
 (C)= (F)=



REF.	LEV.	PARTS NO.	DESCRIPTION	QTY						I	R
				(A)	(B)	(C)	(D)	(E)	(F)		
1	1	171008-77010	STARTER	1	1						
2	2	171008-77500	COVER, REAR	1	1						
3	2	171008-77510	HOUSING ASSY, GEAR	1	1						
4	2	171008-77520	HOUSING, CENTER	1	1						
5	2	171008-77400	ARMATURE ASSY	1	1						
6	3	X2114255110	BALL BEARING	1	1						
7	3	X2130350900	BALL BEARING	1	1						
9	2	171008-77440	COIL ASSY, FIELD	1	1						
10	3	171008-77450	SCREW, POLE CORE SET	4	4						
11	3	171008-77460	BRUSH (+)	2	2						
12	2	171008-77470	HOLDER ASSY, BRUSH	1	1						
13	3	171008-77480	BRUSH (-)	2	2						
14	3	171008-77490	SPRING, BRUSH	4	4						
15	2	171008-77531	MAGNETIC SWITCH ASSY	1	1						
16	2	171008-77540	LEVER SET, SHIFT	1	1						
19	2	171008-77571	DUST COVER, (NON-ASB.)	1	1						
26	2	171008-77640	BOLT, THROUGH	2	2						
27	2	171008-77650	PINION ASSY	1	1						
28	3	171008-77660	SHAFT, PINION	1	1						
29	3	171008-77670	STOPPER SET, PINION	1	1						
33	3	X2114555500	CLUTCH ASSY	1	1						
34	4	X2114955020	BALL BEARING	1	1						
35	4	X2240410100	BALL BEARING	1	1						
36	2	171008-77750	COVER, M TERMINAL	1	1						
37	2	26106-060322	BOLT M 6X 32 PLATED	2	2						
38	2	26106-060402	BOLT M 6X 40 PLATED	3	3						
39	1	124550-77030	COVER, TERMINAL	1	1						
40	1	26116-120302	BOLT M12X 30 PLATED	2	2						
41	1	123310-77640	SWITCH, BATTERY	1	1						
42	1	123325-77920	TERMINAL	2	2						
43	1	123325-77930	TERMINAL	2	2						
44	1	22724-800380	SCREW 8X 38	2	2						

(A)=4JH3-HTE (D)=
 (B)=4JH3-DTE (E)=
 (C)= (F)=

Fig.35.GENERATOR(55A)

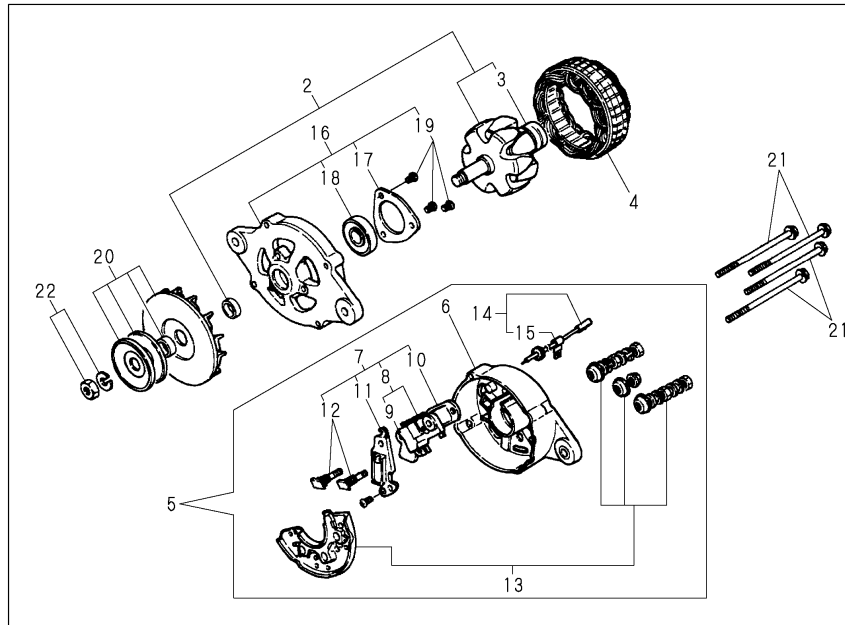


REF.	LEV.	PARTS NO.	DESCRIPTION	QTY						I	R
				(A)	(B)	(C)	(D)	(E)	(F)		
1	1	129772-77200	GENERATOR(12V-55A)	1	1						
2	2	XL15571001	ROTOR ASSY	1	1						
3	3	124080-77490	BALL BEARING	1	1						
4	2	XL15542001	STATOR ASSY	1	1						
5	2	XL155G6300	COVER ASSY, REAR	1	1						
6	3	XL22553012	COVER, REAR	1	1						
7	3	XL155G1315	REGULATOR ASSY,BRUSH	1	1						
8	4	XL2255330	BRUSH ASSY	1	1						1
9	4	XL12013262	BRUSH	2	2						
10	4	XTR1Z63	REGULATOR	1	1						
11	4	XL2554318	CONDENCER ASSY	1	1						
12	4	XL13513134	BOLT M5	2	2						
13	3	XL2253320	DIODE ASSY	1	1						
14	2	XL2253400	FRONT COVER ASSY	1	1						
15	3	XL15014042	BEARING RETAINER	1	1						
16	3	X6203BM	BALL BEARING	1	1						
17	2	XL225G6500	PULLEY ASSY	1	1						
18	2	XL15018015	BOLT, THROUGH	4	4						
19	2	XL1501810	NUT ASSY, PULLEY	1	1						
20	2	XL15028001	SCREW ASSY	1	1						
21	1	129470-77330	ADJUSTER, BELT	1	1						
22	1	129470-77340	SPACER	1	1						
23	1	22137-080000	WASHER 8, POLISHED	1	1						
24	1	22137-100000	WASHER 10,POLISHED	2	2						
25	1	26106-080252	BOLT M 8X 25 PLATED	1	1						
26	1	26116-101202	BOLT M10X120 PLATED	1	1						
27	1	26716-100002	NUT 10	1	1						

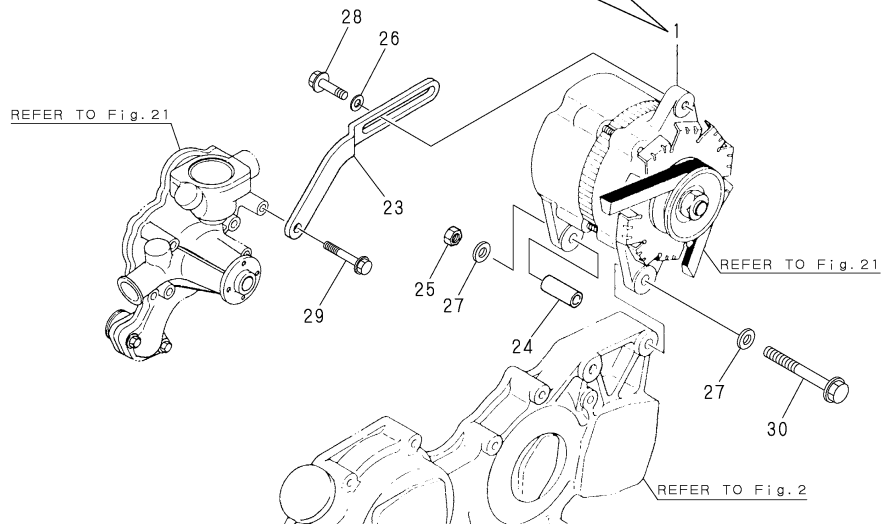
Remarks
 (1)INC. 9

Fig.36.GENERATOR(80A:PREVIOUS)

(A)=4JH3-HTE (D)=
 (B)=4JH3-DTE (E)=
 (C)= (F)=



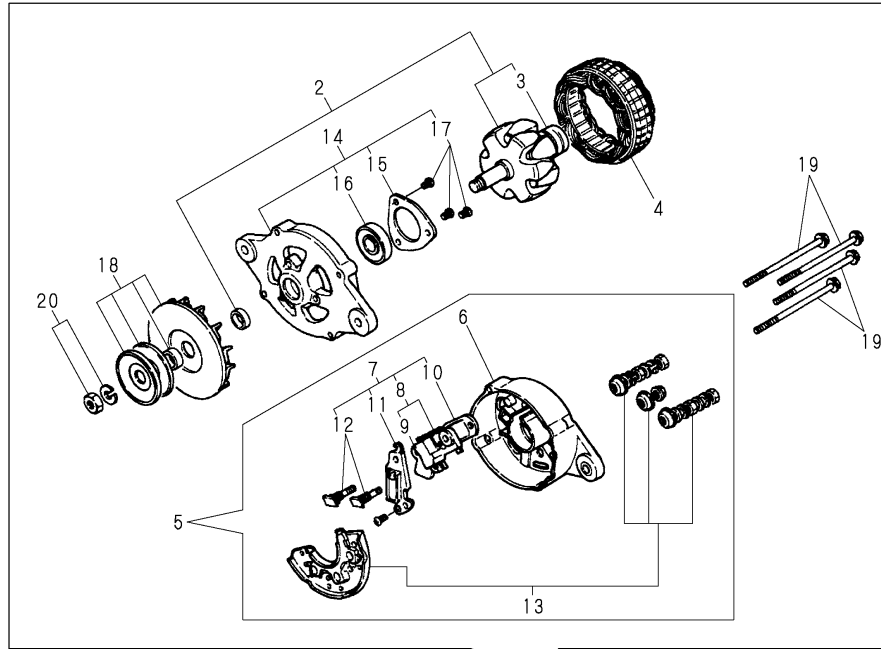
REF.	LEV.	PARTS NO.	DESCRIPTION	QTY						I	R	
				(A)	(B)	(C)	(D)	(E)	(F)			
I	1	119573-77201 (A=E/#20426)	ALTERNATER(12V-80A (B=E/#30435)	1	1						Z	1
	2	XL180G61000	ROTOR ASSY	1	1							
	3	119129-77320	BALL BEARING	1	1							
	4	XL180120000	STARTER ASSY	1	1							
	5	XL180G63006	COVER ASSY, REAR	1	1							
	6	XL180G13012	COVER, REAR	1	1							
	7	XL180G43150	BRUSH ASSY,REGULATOR	1	1							
	8	XL155G1330	BRUSH ASSY	1	1							2
	9	XL225G1325	BRUSH SET	2	2							
	10	124080-77390	REGULATOR ASSY	1	1							
	11	XL225431800	CONDENSER	1	1							
	12	124080-77520	BOLT M5	2	2							
	13	XL180832000	DIODE ASSY	1	1							
	14	119129-77250	WIRE	1	1							
	15	119129-77260	CLAMP,LEAD WIRE	1	1							
	16	XL235340110	COVER ASSY, FRONT	1	1							
	17	XL150M14041	RETAINER	1	1							
	18	X6303BM0000	BALL BEARING	1	1							
	19	119129-77930	SCREW KIT	1	1							
	20	XL180G85001	PULLEY ASSY	1	1							
	21	119129-77890	BOLT, THROUGH	4	4							
	22	119129-77900	NUT ASSY, PULLEY	1	1							
	23	129470-77330	ADJUSTER, BELT	1	1							
	24	129470-77340	SPACER	1	1							
	25	26716-100002	NUT 10	1	1							
	26	22137-080000	WASHER 8, POLISHED	1	1							
	27	22137-100000	WASHER 10,POLISHED	2	2							
	28	26106-080252	BOLT M 8X 25 PLATED	1	1							
	29	26106-080652	BOLT M 8X 65 PLATED	1	1							
	30	26116-101202	BOLT M10X120 PLATED	1	1							



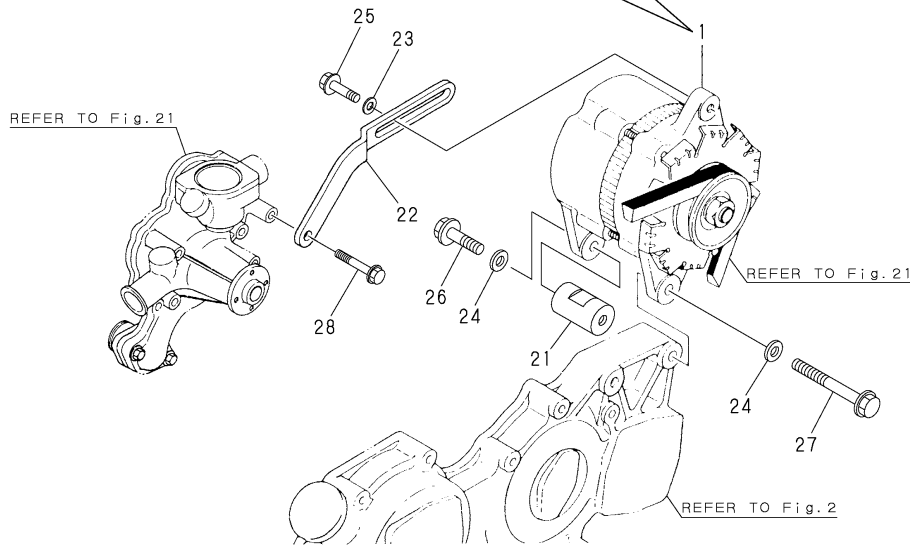
Remarks
 (1)INTERCHANGEABILITY IS <N> WITH FIG.37 REF.NO.1.
 (2)INC. 9

Fig.37.GENERATOR(80A:NEW)

(A)=4JH3-HTE (D)=
 (B)=4JH3-DTE (E)=
 (C)= (F)=



REF.	LEV.	PARTS NO.	DESCRIPTION	QTY						I	R
				(A)	(B)	(C)	(D)	(E)	(F)		
I	1	1	119573-77200 GENERATOR (12V-80A (A=E/#20426) (B=E/#30435))	1	1						W
	2	2	XL1805100 ROTOR ASY	1	1						
	3	3	X6201NC BALL BEARING	1	1						
	4	2	XL1801200 STATOR ASY	1	1						
	5	2	XL1809300 COVER ASSY, REAR	1	1						
	6	3	XL1805301 COVER, REAR	1	1						
	7	3	XL1556315 REGULATOR ASSY,BRUSH	1	1						
	8	4	XL2255320 DIODE L225-5320	1	1						1
	9	4	XL1801335 BRUSH	2	2						
	10	4	XTR1Z63 REGULATOR	1	1						
	11	4	XL2251318 CONDENCER ASSY	1	1						
	12	4	119129-77940 BOLT(M5)	2	2						
	13	3	XL1808320 DIODE ASY	1	1						
	14	2	XL23534011 COVER ASSY, FRONT	1	1						
	15	3	XL150M14041 RETAINER	1	1						
	16	3	X6303BM BALL BEARING 6303B	1	1						
	17	3	XL15028001 SCREW ASSY	1	1						
	18	2	XL1805500 PULLEY ASSY	1	1						
	19	2	XL18018015 THROUGH BOLT	4	4						
	20	2	XL1501810 NUT ASSY, PULLEY	1	1						
	21	1	129670-77340 SPACER,GENERATOR	1	1						
	22	1	129670-77430 ADJUSTER, BELT	1	1						
	23	1	22137-080000 WASHER 8, POLISHED	1	1						
	24	1	22137-100000 WASHER 10,POLISHED	2	2						
	25	1	26106-080252 BOLT M 8X 25 PLATED	1	1						
	26	1	26106-100302 BOLT M10X 30 PLATED	1	1						
	27	1	26106-100752 BOLT M10X 75 PLATED	1	1						
	28	1	26106-080652 BOLT M 8X 65 PLATED	1	1						

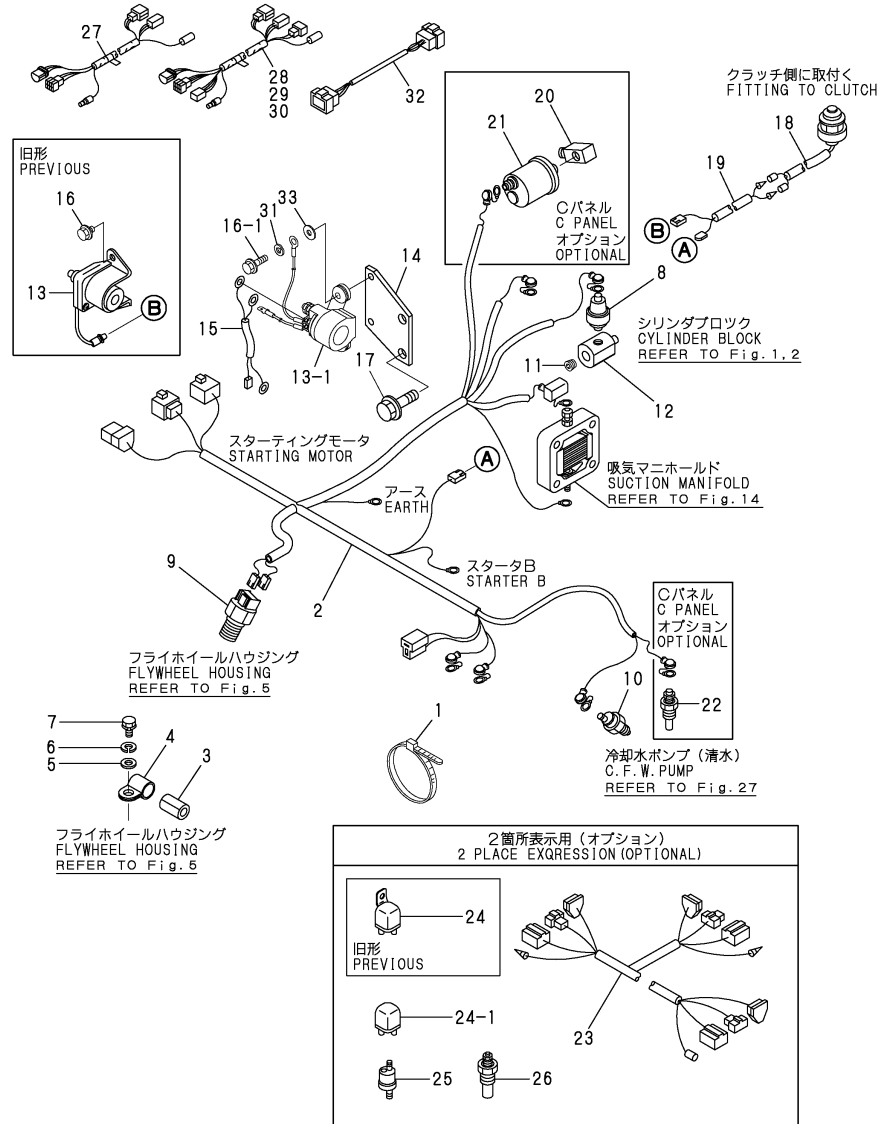


Remarks
 (1)INC. 9

Fig.38.WIRE HARNESS & SENSOR

(A)=4JH3-HTE (D)=
 (B)=4JH3-DTE (E)=
 (C)= (F)=

P/C NEWS No:Y00R4761-1
 PUBLISHED:2004/8

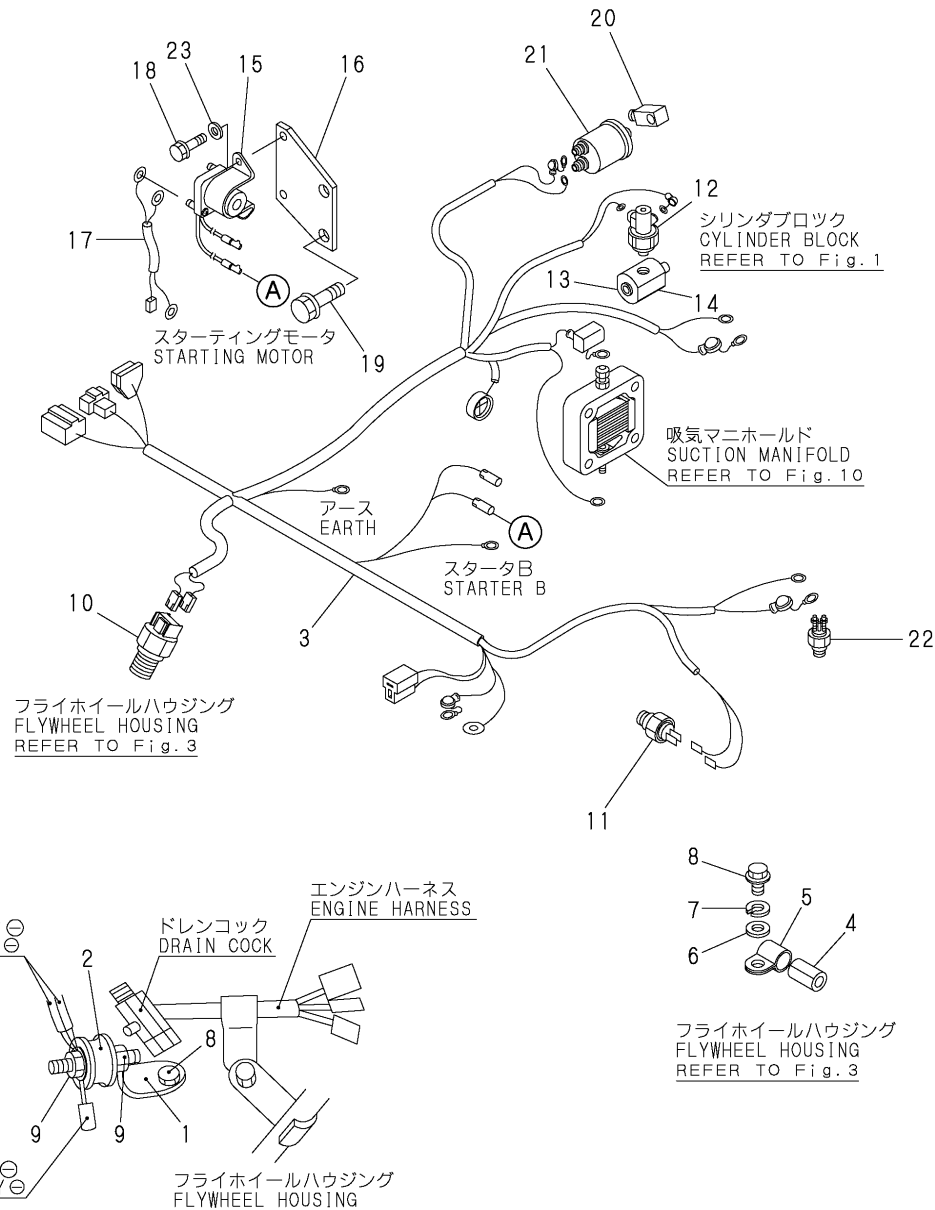


Remarks
 (1)KMH4A
 (2)INTERCHANGEABLE BY SIMULTANEOUS
 REPLACEMENT WITH REF.NO.13-1,16-1,
 33.

REF.	LEV.	PARTS NO.	DESCRIPTION	QTY						I	R
				(A)	(B)	(C)	(D)	(E)	(F)		
1	1	194250-51660	BAND 250	1	1						
2	1	129574-77911	HARNESS, WIRE	1	1						
3	1	124770-77940	PROTECTOR	1	1						
4	1	124070-77950	CLAMP	1	1						
5	1	22137-080000	WASHER 8, POLISHED	1	1						
6	1	22217-080000	SPRING WASHER 8	1	1						
7	1	26106-080162	BOLT M 8X 16 PLATED	1	1						
8	1	124060-39451	SENDER, OIL PRESSURE	1	1						
8-1	1	124060-39452	SENDER,OIL PRESSURE	1	1						N
				(A=#20607)	(B=#30529)						
9	1	128170-91160	SENSOR, TACHOMETER	1	1						
10	1	120130-91370	SWITCH, THERMO(100C	1	1						
11	1	23876-010000	PLUG PT1/8,SCREW	1	1						
12	1	43580-500680	DAMPER PT1/8	1	1						
13	1	129490-77910	RELAY, STARTER	1	1						
I	13-1	119575-77510	RELAY, STARTER	1	1						F 2
				(A=*2004.06)	(B=*2004.06)						
14	1	129573-77951	BRACKET	1	1						
15	1	129573-77960	HARNESS, WIRE	1	1						
16	1	26106-060082	BOLT M 6X 8 PLATED	2	2						
I	16-1	26106-060202	BOLT M 6X 20 PLATED	2	2						F 2
				(A=*2004.06)	(B=*2004.06)						
17	1	26106-100162	BOLT M10X 16 PLATED	2	2						
18	1	120270-77101	SWITCH	1	1						
19	1	129570-77960	HARNESS, WIRE	1	1						
19A	1	177074-06350	HARNESS, WIRE	1	1						1
20	1	123482-39670	DAMPER	1	1						
21	1	144626-91560	SENDER UNIT	1	1						
21-1	1	119773-91500	SENDER UNIT	1	1						N
				(A=*1997.07)	(B=*1997.07)						
21-2	1	119773-91501	SENDER UNIT	1	1						N
				(A=#20929)	(B=#30857)						
22	1	144626-91570	SENDER UNIT	1	1						
23	1	129574-77980	HARNESS.	1	1						
24	1	124617-91850	RELAY	1	1						
24-1	1	119773-91850	RELAY	1	1						R
				(A=#20607)	(B=#30529)						
25	1	129574-91560	SENDER UNIT	1	1						
25-1	1	129574-91561	SENDER UNIT	1	1						R
				(A=#21397)	(B=#31309)						
26	1	129574-91570	SENDER UNIT	1	1						
27	1	128391-77720	HARNESS, WIRE(6M	1	1						
28	1	129574-77710	HARNESS, WIRE(4M)	1	1						
29	1	129574-77720	HARNESS, WIRE(6M)	1	1						
30	1	129574-77740	HARNESS,10M	1	1						
31	1	22217-060000	SPRING WASHER 6	2	2						
32	1	129670-77990	ADAPTER(CONNECTOR	1	1						W
				(A=#21756)	(B=#31449)						
I	33	183350-55130	WASHER	2	2						W 2
				(A=*2004.06)	(B=*2004.06)						

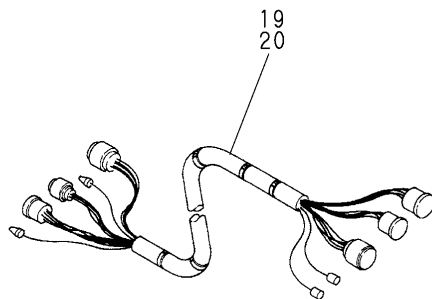
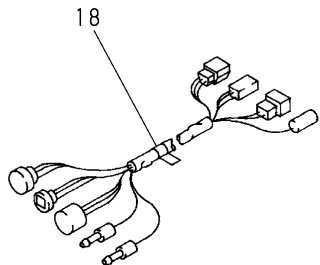
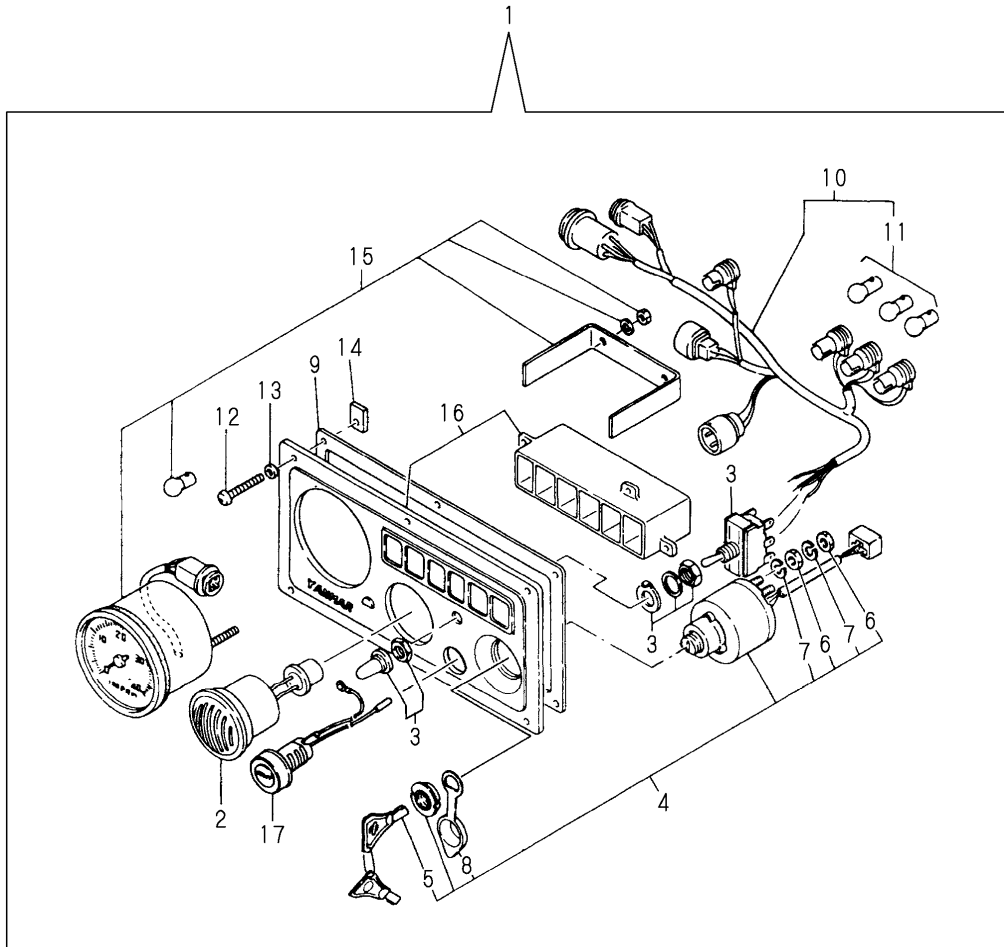
(A)=4JH3-HTE (D)=
 (B)=4JH3-DTE (E)=
 (C)= (F)=

Fig.39.WIRE HARNESS(EARTH FLOAT TYPE)



REF.	LEV.	PARTS NO.	DESCRIPTION	QTY						I	R
				(A)	(B)	(C)	(D)	(E)	(F)		
1	1	129590-59200	CLAMP	1	1						
2	1	194555-62750	RUBBER, CUSHION	1	1						
3	1	129574-77820	HARNESS, WIRE	1	1						
4	1	124770-77940	PROTECTOR	1	1						
5	1	124070-77950	CLAMP	1	1						
6	1	22137-080000	WASHER 8, POLISHED	1	1						
7	1	22217-080000	SPRING WASHER 8	1	1						
8	1	26106-080142	BOLT M 8X 14 PLATED	2	2						
9	1	26716-080002	NUT M 8	2	2						
10	1	128170-91160	SENSOR, TACHOMETER	1	1						
11	1	129570-91320	SWITCH, THERMO(100C	1	1						
12	1	126630-91591	SWITCH,OIL PRESSURE	1	1						
13	1	23876-010000	PLUG PT1/8,SCREW	1	1						
14	1	43580-500680	DAMPER PT1/8	1	1						
15	1	129570-77920	STARTER RELAY	1	1						
16	1	129573-77951	BRACKET	1	1						
17	1	129573-77960	HARNESS, WIRE	1	1						
18	1	26106-060082	BOLT M 6X 8 PLATED	2	2						
19	1	26106-100162	BOLT M10X 16 PLATED	2	2						
20	1	123482-39670	DAMPER	1	1						
21	1	126630-91560	SENDER UNIT	1	1						
I 21-1	1	119773-91520	SENDER UNIT	1	1						R
		(A=E/#21397) (B=E/#31309)									
22	1	126630-91570	SENDER UNIT	1	1						
23	1	22217-060000	SPRING WASHER 6	2	2						

Fig.40.INSTRUMENT PANEL(B-TYPE)

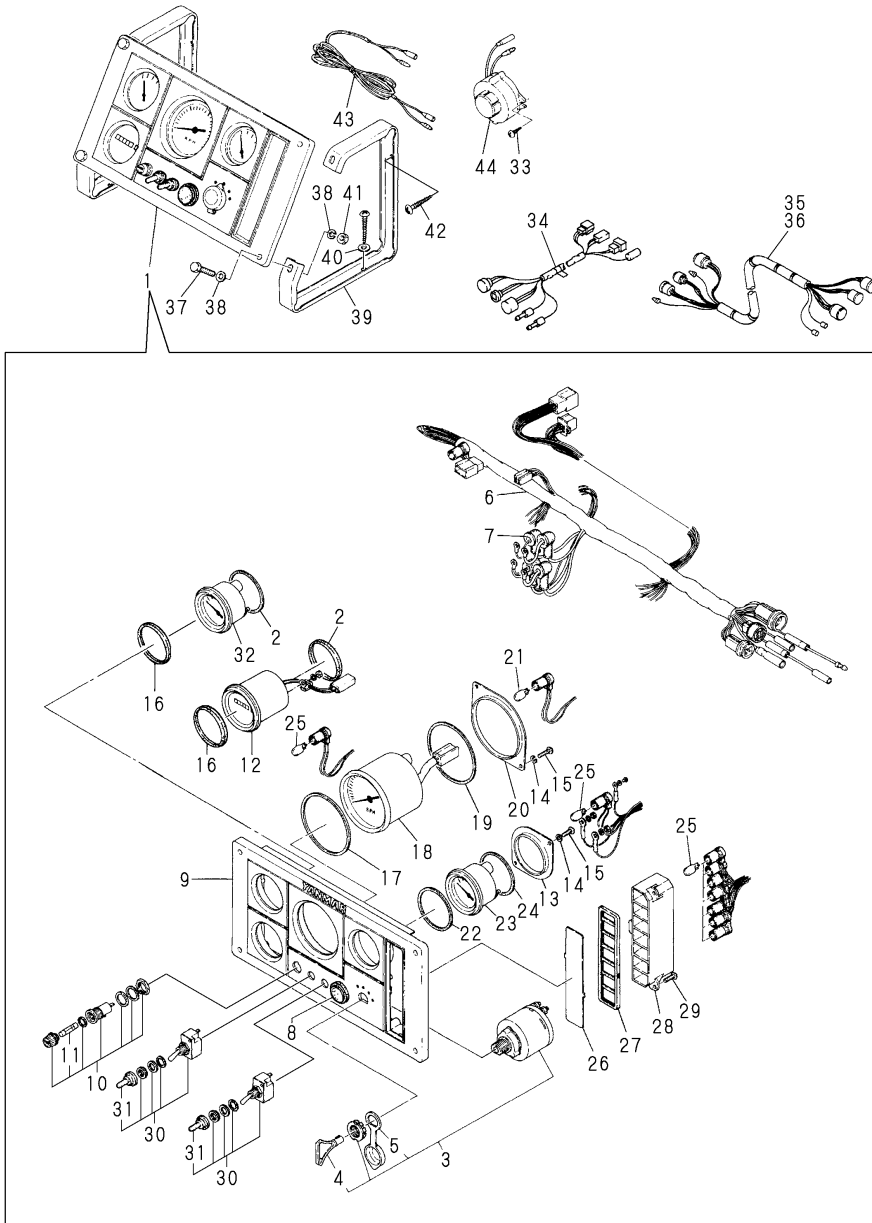


(A)=4JH3-HTE (D)=
 (B)=4JH3-DTE (E)=
 (C)= (F)=

REF.	LEV.	PARTS NO.	DESCRIPTION	QTY						I	R
				(A)	(B)	(C)	(D)	(E)	(F)		
1	1	124411-91190	PANEL ASSY, INSTRUM	1	1						
I	1-1	124411-91191	PANEL ASSY, INSTRUM	1	1						N
		(A=E/#21461) (B=E/#31329)									
2	2	104271-91351	BUZZER	1	1						
3	2	128170-91310	SWITCH, LAMP	1	1						
4	2	127412-91250	SWITCH W/KEY	1	1						
5	3	123482-91291	KEY, SWITCH	1	1						
6	3	26716-050002	NUT M 5	10	10						
7	3	22217-050000	SPRING WASHER 5	10	10						
8	3	127620-91820	COVER	1	1						
9	2	128170-91020	GASKET	1	1						
10	2	128170-91031	HARNESS, WIRE	1	1						
11	3	194151-55820	BULB 12V-3.4W	3	3						
12	2	128170-91810	SCREW M5	6	6						
13	2	128170-91820	WASHER 5	6	6						
14	2	128170-91830	PLATE NUT M5	6	6						
15	2	128696-91100	TACHOMETER	1	1						
16	2	124411-91010	BODY, PANEL	1	1						
17	2	129470-91190	STOPPER	1	1						
I	18	129574-77860	HARNESS ADAPTER 12V	1	1						Z
		(A=E/#21461) (B=E/#31329)									
19	1	127610-77710	HARNESS, WIRE(3.8M)	1	1						
20	1	119171-77701	HARNESS, WIRE(6M)	1	1						

Fig.41.INSTRUMENT PANEL(C:PREVIOUS)

(A)=4JH3-HTE (D)=
 (B)=4JH3-DTE (E)=
 (C)= (F)=

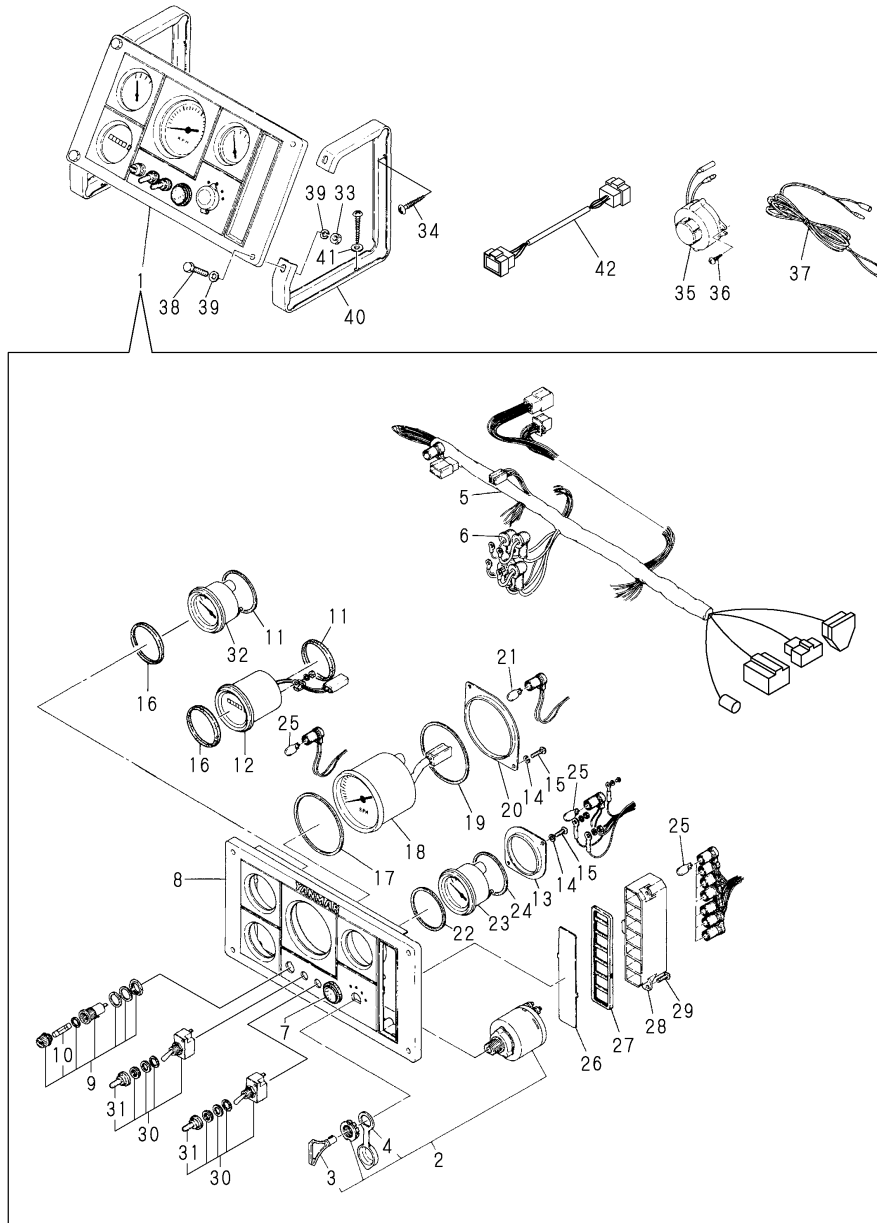


REF.	LEV.	PARTS NO.	DESCRIPTION	QTY						I	R
				(A)	(B)	(C)	(D)	(E)	(F)		
1	1	129470-91100	PANEL ASSY, INSTRUM	1	1						
I	1-1	129470-91101 (A=E/#20449)	PANEL ASSY,INSTRUM (B=E/#30455)	1	1						S
I	1-2	129470-91101 (A=E/#21461)	PANEL ASSY,INSTRUM (B=E/#31329)	1	1						Z 1
2	2	127410-91590	PACKING	2	2						
3	2	121575-91250	SWITCH W/KEY	1	1						
4	3	123482-91291	KEY, SWITCH	2	2						
5	3	127620-91820	COVER	1	1						
6	2	129470-91150	HARNESS, WIRE	1	1						
7	2	127620-91830	CAP	4	4						
8	2	129470-91190	STOPPER	1	1						
9	2	129470-91180	BODY, PANEL(C-TYPE)	1	1						
10	2	46150-003610	BOX, FUSE	1	1						
11	3	124617-91990	FUSE (3A)	3	3						
12	2	157854-04300	HOUR METER	1	1						
13	2	127410-91510	BRACKET	3	3						
14	2	127410-91520	WASHER	8	8						
15	2	127410-91530	SCREW	8	8						
16	2	127410-91580	PACKING, RUBBER	2	2						
17	2	127410-91550	GASKET, RUBBER	1	1						
18	2	129470-91170	TACHOMETER	1	1						
19	2	127410-91560	GASKET, RUBBER	1	1						
20	2	127410-91570	BRACKET	1	1						
21	2	124617-91920	BULB	1	1						
22	2	127410-91580	PACKING, RUBBER	1	1						
23	2	124617-91840	THERMOMETER	1	1						
24	2	127410-91590	PACKING	1	1						
25	2	124617-91980	BULB	6	6						
26	2	127410-91600	LENS	1	1						
27	2	127410-91610	RETAINER	1	1						
28	2	127410-91620	BODY, PILOT BOX	1	1						
29	2	127410-91630	SCREW	3	3						
30	2	127620-91790	SWITCH	2	2						
31	3	127620-91780	CAP	2	2						
32	2	129470-91160	GAUGE, OIL PRESSURE	1	1						
I	32-1	129470-91161 (A=E/#20449)	METER (B=E/#30455)	1	1						S
33	1	22717-410160	SCREW 4.1X16	2	2						
I	34	129574-77860 (A=E/#21461)	HARNESS ADAPTER 12V (B=E/#31329)	1	1						Z
35	1	127610-77710	HARNESS, WIRE(3.8M)	1	1						
36	1	119171-77701	HARNESS, WIRE(6M)	1	1						
37	1	127620-91500	SCREW	4	4						
38	1	127620-91510	WASHER	8	8						
39	1	127410-91680	BRACKET, PANEL	2	2						
40	1	127620-91560	WASHER	4	4						
41	1	127620-91550	NUT	4	4						
42	1	127620-91570	SCREW	4	4						
43	1	127620-91580	WIRE	1	1						
44	1	124617-91900	BUZZER	1	1						

Remarks
 (1)INTERCHANGEABILITY IS <N> WITH
 FIG.42 REF.NO.1.

(A)=4JH3-HTE (D)=
 (B)=4JH3-DTE (E)=
 (C)= (F)=

Fig.42.INSTRUMENT PANEL(C:NEW)

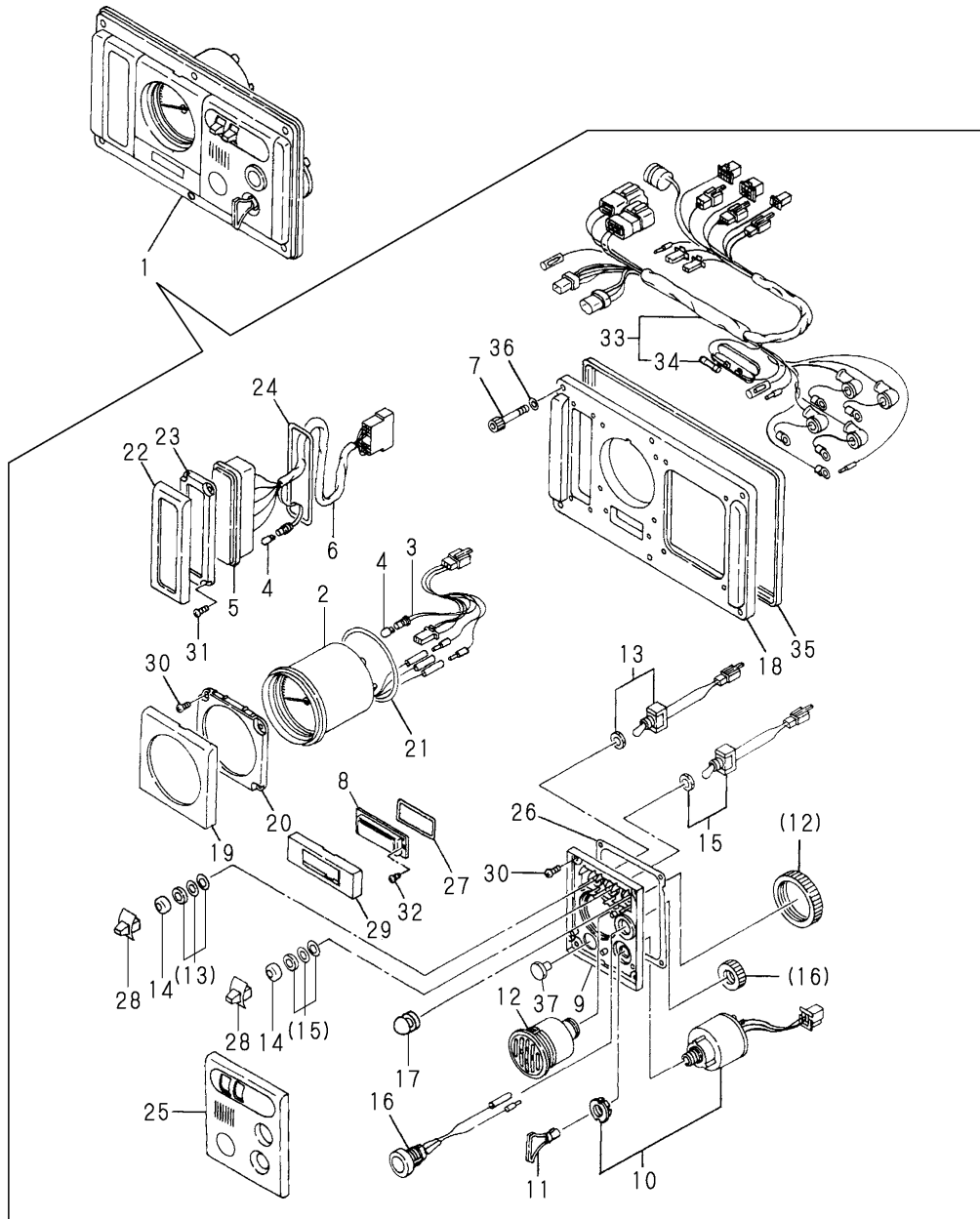


REF.	LEV.	PARTS NO.	DESCRIPTION	QTY						I	R
				(A)	(B)	(C)	(D)	(E)	(F)		
I	1	129470-91102 (A=E/#21461) (B=E/#31329)	PANEL ASSY,INSTRUM	1	1						W
I	1-1	129470-91103 (A=E/#21756) (B=E/#31449)	PANEL ASSY,INSTRUM	1	1						F 1
	2	121575-91250	SWITCH W/KEY	1	1						
	3	123482-91291	KEY, SWITCH	2	2						
	4	127620-91820	COVER	1	1						
	5	129171-91880	HARNES,WIRE	1	1						
	6	127620-91830	CAP	4	4						
	7	129470-91190	STOPPER	1	1						
	8	129470-91180	BODY, PANEL(C-TYPE)	1	1						
	9	46150-003620	FUSE	1	1						
	10	124617-91990	FUSE (3A)	3	3						
	11	127410-91590	PACKING	2	2						
	12	157854-04300	HOUR METER	1	1						
	13	127410-91510	BRACKET	3	3						
	14	127410-91520	WASHER	8	8						
	15	127410-91530	SCREW	8	8						
	16	127410-91580	PACKING, RUBBER	2	2						
	17	127410-91550	GASKET, RUBBER	1	1						
	18	129470-91170	TACHOMETER	1	1						
	19	127410-91560	GASKET, RUBBER	1	1						
	20	127410-91570	BRACKET	1	1						
	21	124617-91920	BULB	1	1						
	22	127410-91580	PACKING, RUBBER	1	1						
	23	124617-91840	THERMOMETER	1	1						
	24	127410-91590	PACKING	1	1						
	25	194555-55820	BULB 12V-1.7W	6	6						
	26	127410-91600	LENS	1	1						
	27	127410-91610	RETAINER	1	1						
	28	127410-91620	BODY, PILOT BOX	1	1						
	29	127410-91630	SCREW	3	3						
	30	127687-91790	SWITCH	2	2						
	31	127620-91780	CAP	2	2						
	32	129470-91161	METER	1	1						
	33	127620-91550	NUT	4	4						
	34	127620-91570	SCREW	4	4						
	35	124617-91900	BUZZER	1	1						
	36	22717-410160	SCREW 4.1X16	1	1						
	37	127620-91580	WIRE	1	1						
	38	127620-91500	SCREW	4	4						
	39	127620-91510	WASHER	8	8						
	40	127410-91680	BRACKET, PANEL	2	2						
	41	127620-91560	WASHER	4	4						
I	42	129670-77990 (A=E/#21756) (B=E/#31449)	ADAPTER(CONNECTOR)	1	1						W

Remarks
 (1)INTERCHANGEABLE BY SIMULTANEOUS
 REPLACEMENT WITH REF.NO.42.

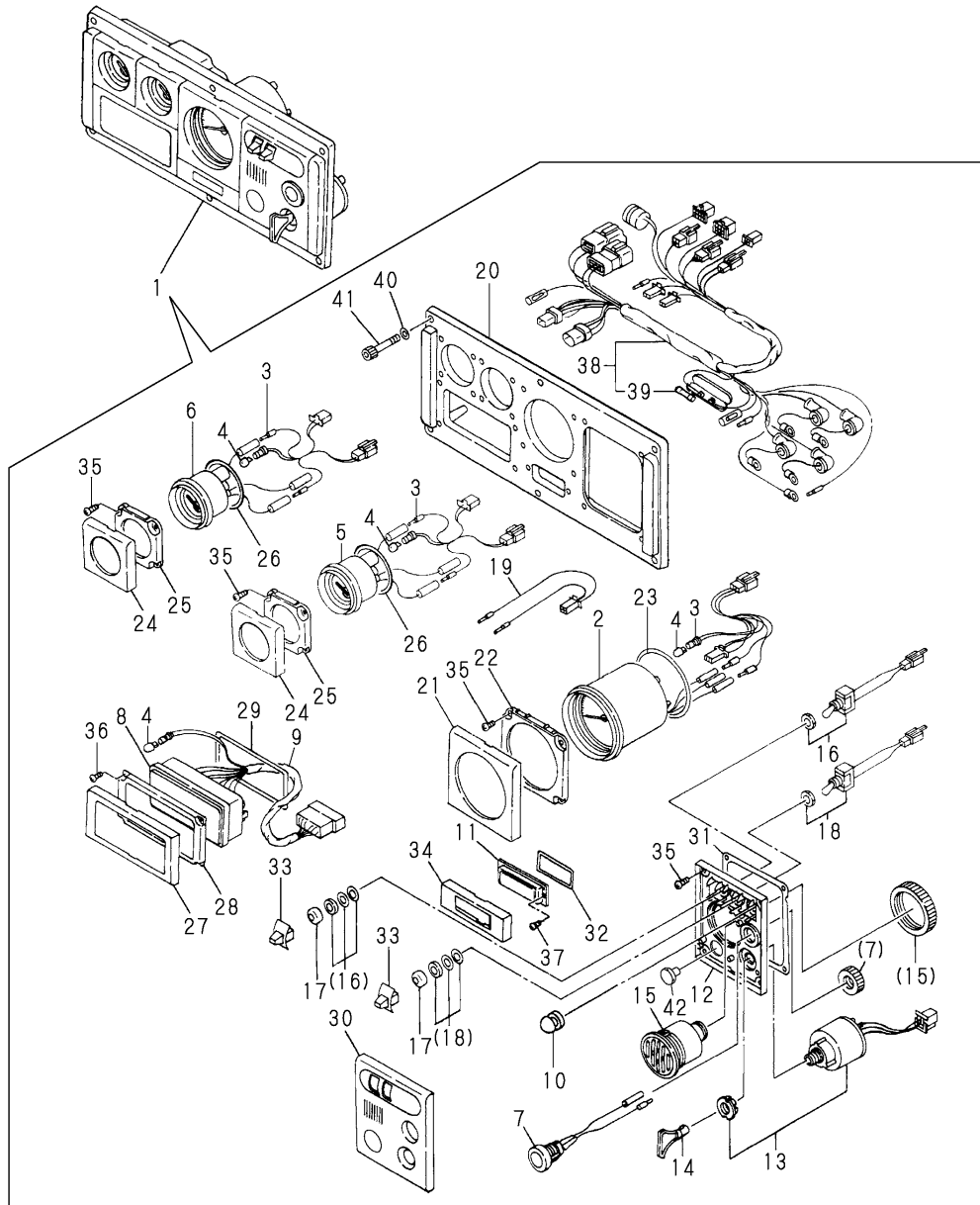
(A)=4JH3-HTE (D)=
 (B)=4JH3-DTE (E)=
 (C)= (F)=

Fig.43.PANEL(B:NEW TYPE)



REF.	LEV.	PARTS NO.	DESCRIPTION	QTY						I	R
				(A)	(B)	(C)	(D)	(E)	(F)		
1	1	129574-91130	PANEL ASSY, INSTRUM	1	1						
2	2	129574-91200	METER, TACHO./HOUR	1	1						
3	2	129574-91870	WIRE	1	1						
4	2	124617-91980	BULB	5	5						
5	2	128391-91260	BOX ASSY, LAMP	1	1						
6	2	120130-91860	WIRE	1	1						
7	2	127687-91870	BOLT 6X 35	6	6						
8	2	129170-91650	COVER	1	1						
9	2	129574-91410	BRACKET	1	1						
10	2	121575-91250	SWITCH W/KEY	1	1						
11	2	123482-91291	KEY, SWITCH	1	1						
12	2	104271-91352	BUZZER	1	1						
13	2	129170-91800	SWITCH	1	1						
14	2	129574-91780	CAP	2	2						
15	2	129574-91790	SWITCH	1	1						
16	2	129470-91190	STOPPER	1	1						
17	2	129170-91810	BLIND	1	1						
18	2	128391-91930	PANEL	1	1						
19	2	129574-91620	COVER	1	1						
20	2	129574-91420	BRACKET	1	1						
21	2	129574-91720	GASKET	1	1						
22	2	128391-91640	COVER	1	1						
23	2	128391-91440	PLATE	1	1						
24	2	128391-91740	GASKET	1	1						
25	2	129170-91610	COVER	1	1						
26	2	129574-91710	GASKET	1	1						
27	2	129574-91750	GASKET	1	1						
28	2	129574-91770	KNOB	2	2						
29	2	129574-91650	COVER	1	1						
30	2	127692-91410	SCREW	8	8						
31	2	127692-91440	SCREW	4	4						
32	2	127692-91450	SCREW	2	2						
33	2	129570-91850	HARNES MAIN WIRE(B	1	1						
34	3	124617-91990	FUSE (3A)	1	1						
35	2	128391-91700	PACKING	1	1						
36	2	127687-91880	WASHER	6	6						
37	2	129574-91760	BLIND	1	1						

Fig.44.PANEL(C:NEW TYPE:PREVIOUS)



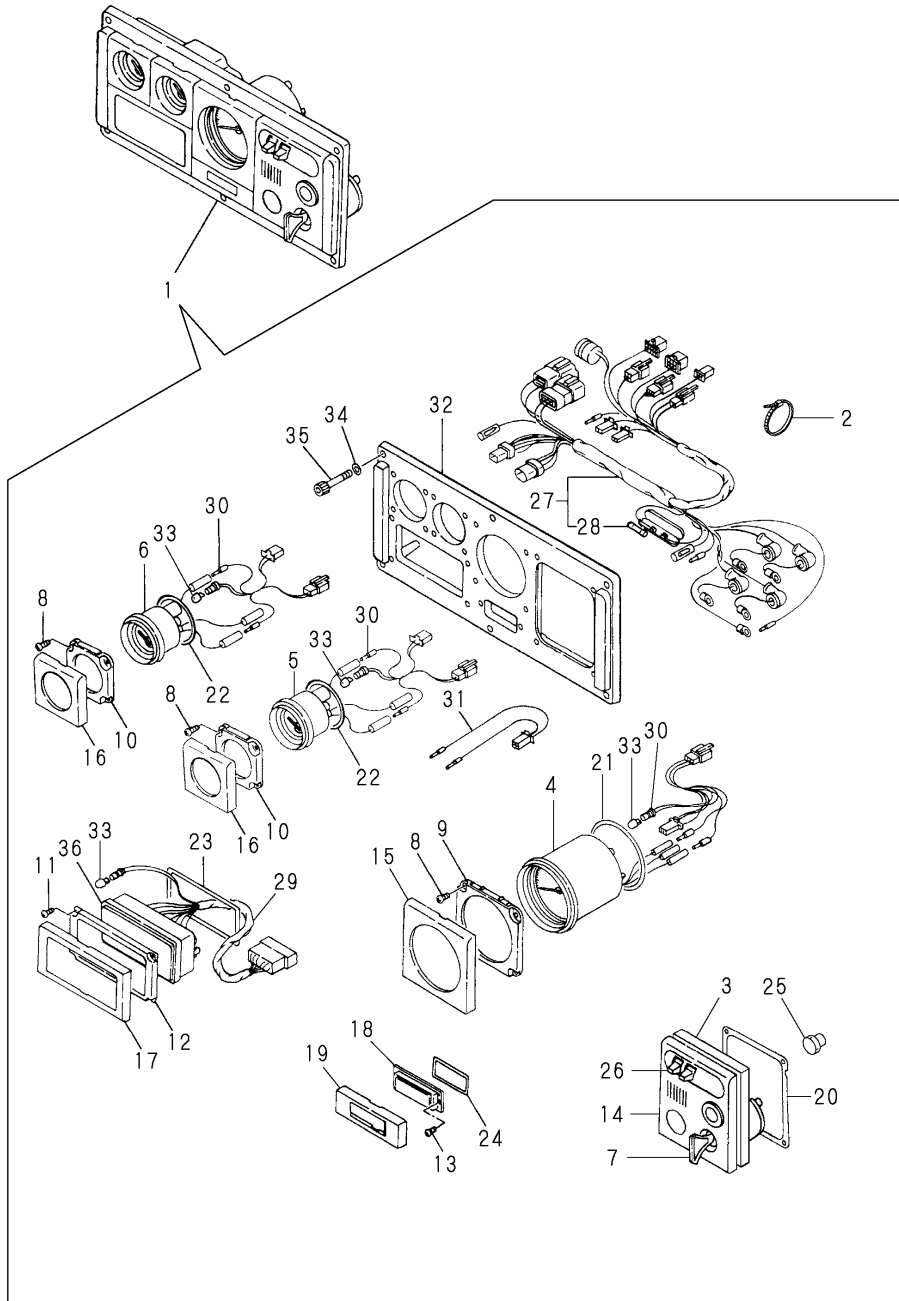
Remarks
 (1)INTERCHANGEABILITY IS <N> WITH
 FIG.45 REF.NO.1.

(A)=4JH3-HTE (D)=
 (B)=4JH3-DTE (E)=
 (C)= (F)=

REF.	LEV.	PARTS NO.	DESCRIPTION	QTY						I	R
				(A)	(B)	(C)	(D)	(E)	(F)		
1	1	129574-91160	PANEL ASSY, INSTRUM	1	1						
I	1-1	129574-91161 (A=E/#20449)	PANEL ASSY,INSTRUM (B=E/#30455)	1	1						S
I	1-2	129574-91161 (A=E/#21081)	PANEL ASSY,INSTRUM (B=E/#31003)	1	1						Z 1
2	2	129574-91200	METER, TACHO./HOUR	1	1						
3	2	129574-91870	WIRE	3	3						
4	2	124617-91980	BULB	8	8						
5	2	129574-91210	METER	1	1						
6	2	129574-91220	METER	1	1						
I	6-1	129574-91221 (A=E/#20449)	METER (B=E/#30455)	1	1						S
7	2	129470-91190	STOPPER	1	1						
8	2	129170-91260	BOX ASSY, LAMP	1	1						
9	2	129170-91860	WIRE W/BULB	1	1						
10	2	129170-91810	BLIND	1	1						
11	2	129170-91650	COVER	1	1						
12	2	129574-91410	BRACKET	1	1						
13	2	121575-91250	SWITCH W/KEY	1	1						
14	2	123482-91291	KEY, SWITCH	1	1						
15	2	104271-91352	BUZZER	1	1						
16	2	129170-91800	SWITCH	1	1						
17	2	129574-91780	CAP	2	2						
18	2	129574-91790	SWITCH	1	1						
19	2	129574-91890	WIRE	1	1						
20	2	129170-91930	PANEL	1	1						
21	2	129574-91620	COVER	1	1						
22	2	129574-91420	BRACKET	1	1						
23	2	129574-91720	GASKET	1	1						
24	2	129574-91630	COVER	2	2						
25	2	129574-91430	BRACKET	2	2						
26	2	129574-91730	GASKET	2	2						
27	2	129574-91640	COVER	1	1						
28	2	129574-91440	BRACKET	1	1						
29	2	129574-91740	GASKET	1	1						
30	2	129170-91610	COVER	1	1						
31	2	129574-91710	GASKET	1	1						
32	2	129574-91750	GASKET	1	1						
33	2	129574-91770	KNOB	2	2						
34	2	129574-91650	COVER	1	1						
35	2	127692-91410	SCREW	16	16						
36	2	127692-91440	SCREW	4	4						
37	2	127692-91450	SCREW	2	2						
38	2	129170-91850	HARNES, WIRE	1	1						
39	3	124617-91990	FUSE (3A)	1	1						
40	2	127687-91880	WASHER	6	6						
41	2	127687-91870	BOLT 6X 35	6	6						
42	2	129574-91760	BLIND	1	1						

Fig.45.PANEL(C:NEW TYPE:NEW)

(A)=4JH3-HTE (D)=
 (B)=4JH3-DTE (E)=
 (C)= (F)=



REF.	LEV.	PARTS NO.	DESCRIPTION	QTY						I	R
				(A)	(B)	(C)	(D)	(E)	(F)		
I	1	129574-91162 (A=E/#21081) (B=E/#31003)	PANEL ASSY, INSTRUM	1	1						W
	2	198451-78680	CLAMP, CORD	2	2						
	2	129470-91191	BOX ASSY, SW	1	1						
	2	129574-91200	METER, TACHO./HOUR	1	1						
	2	129574-91210	METER	1	1						
	2	129574-91222	METER	1	1						
	2	123482-91291	KEY, SWITCH	1	1						
	2	127692-91410	SCREW	16	16						
	2	129574-91420	BRACKET	1	1						
	2	129574-91430	BRACKET	2	2						
	2	127692-91440	SCREW	4	4						
	2	129574-91440	BRACKET	1	1						
	2	127692-91450	SCREW	2	2						
	2	129170-91610	COVER	1	1						
	2	129574-91620	COVER	1	1						
	2	129574-91630	COVER	2	2						
	2	129574-91640	COVER	1	1						
	2	129170-91650	COVER	1	1						
	2	129574-91650	COVER	1	1						
	2	129574-91710	GASKET	1	1						
	2	129574-91720	GASKET	1	1						
	2	129574-91730	GASKET	2	2						
	2	129574-91740	GASKET	1	1						
	2	129574-91750	GASKET	1	1						
	2	129574-91760	BLIND	1	1						
	2	129574-91770	KNOB	2	2						
	2	129170-91850	HARNESS, WIRE	1	1						
	3	124617-91990	FUSE (3A)	1	1						
	2	129170-91860	WIRE W/BULB	1	1						
	2	129574-91870	WIRE	1	1						
	2	129170-91890	WIRE	1	1						
	2	129170-91930	PANEL	1	1						
	2	124617-91980	BULB	7	7						
	2	127687-91880	WASHER	6	6						
	2	127687-91870	BOLT 6X 35	6	6						
	2	XYM0234001N	BOX ASSY, LAMP	1	1						

Fig.46.CLUTCH

(A)=4JH3-HTE (D)=
 (B)=4JH3-DTE (E)=
 (C)= (F)=

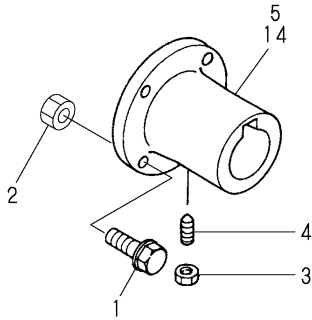
REF.	LEV.	PARTS NO.	DESCRIPTION	Q'TY						I	R
				(A)	(B)	(C)	(D)	(E)	(F)		
I	1	129473-81001 (A=E/#20055) (B=E/#30114)	CLUTCH ASSY. I=1.47	1	1						W
	2	129473-81012	CLUTCH ASSY. I=2.14	1	1						
	3	129473-81022	CLUTCH ASSY. I=2.63	1	1						
I	4	129473-81032 (A=E/#20055) (B=E/#30114)	CLUTCH ASSY. I=3.30	1	1						W
	5	129673-81010	MARINE GEAR I=2.04	1	1						
	6	129673-81020	MARINE GEAR I=2.45	1	1						
	7	129474-81011	CULTCH ASSY I=2.17	1	1						
	8	129474-81021	CLUTCH CMP	1	1						
	9	26106-100302	BOLT M10X 30 PLATED	8	8						
	10	26226-100222	STUD M10X 22 PLATED	2	2						
	11	26716-100002	NUT 10	2	2						

Remarks
 THIS FIGURE ARE NOT ILLUSTRATED.

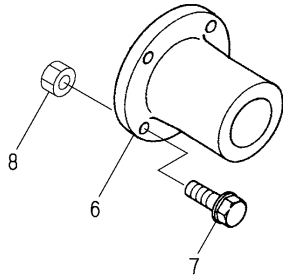
Fig.47.CUPRING

(A)=4JH3-HTE (D)=
 (B)=4JH3-DTE (E)=
 (C)= (F)=

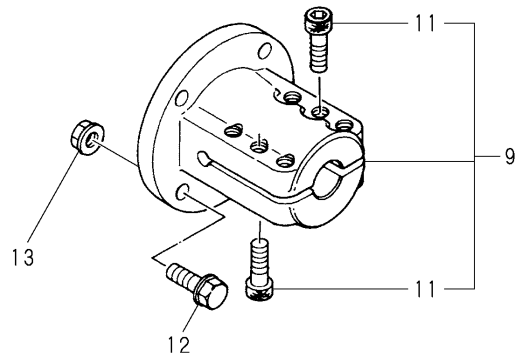
テーパカップリング
 TAPER COUPLING



ストレートカップリング
 STRAIGHT COUPLING

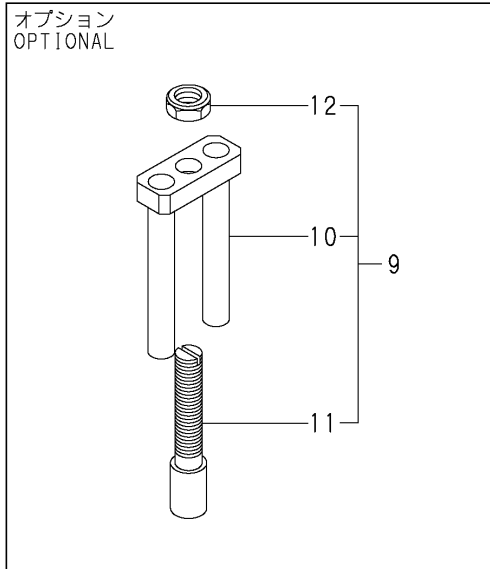
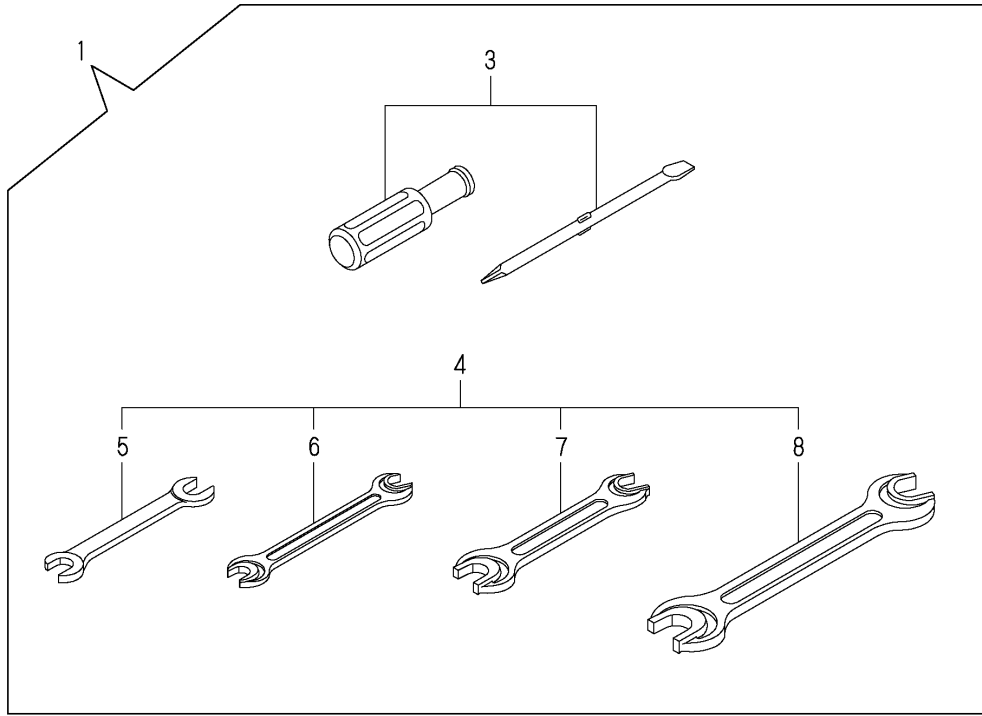


スリットカップリング
 SLIT COUPLING



REF.	LEV.	PARTS NO.	DESCRIPTION	QTY						I	R
				(A)	(B)	(C)	(D)	(E)	(F)		
1	1	26106-100322	BOLT M10X 32 PLATED	4	4						
2	1	26706-100002	NUT M10	4	4						
3	1	26756-080002	LOCK NUT M 8 PLATED	1	1						
4	1	48110-032411	SCREW	1	1						
5	1	129473-85900	COUPLING	1	1						
6	1	129470-85900	COUPLING	1	1						
7	1	26106-100322	BOLT M10X 32 PLATED	4	4						
8	1	26706-100002	NUT M10	4	4						
9	1	129470-83750	COUPLING	1	1						
11	2	26450-120402	BOLT M12X 40	6	6						
12	1	26106-100322	BOLT M10X 32 PLATED	4	4						
13	1	26706-100002	NUT M10	4	4						
14	1	129473-85910	COUPLING	1	1						

Fig.48.TOOL



(A)=4JH3-HTE (D)=
(B)=4JH3-DTE (E)=
(C)= (F)=

REF.	LEV.	PARTS NO.	DESCRIPTION	QTY						I	R
				(A)	(B)	(C)	(D)	(E)	(F)		
1	1	129270-92100	TOOL BOX SET	1	1						
3	2	129270-92650	DRIVER	1	1						
4	2	129270-92690	SPANNER SET	1	1						
5	3	129270-92610	SPANNER 10X13	1	1						
6	3	129270-92620	SPANNER 12X14	1	1						
7	3	129270-92630	SPANNER 17X19	1	1						
8	3	129270-92640	SPANNER 22X24	1	1						
9	1	129470-92300	TOOL ASSY.	1	1						
10	2	129470-92310	RETAINER(A,F.I.VALVE)	1	1						
11	2	129470-92320	RETAINER(B,F.I.VALVE)	1	1						
12	2	26716-120002	NUT 12	1	1						