

OCF50-M00081EN

# Introduction

1. This parts catalog for 4JH45, 4JH57 is published as a revised edition.

	Date of issue	Remarks
First edition	July, 2014	No need
1st revised edition	Mar., 2018	

2. This parts catalog does not contain the technical data needed for maintenance service.

3. The illustrations used in this parts catalog have been simplified for clarity.

4. The contents of this parts catalog are subject to change without notice.

5. Be sure to use only Yanmar genuine parts for repairs. If imitation parts are used, it may cause engine defects.

# Contents

OCF50-M00081

Fig. No.	Fig. Name	Fig. No.	Fig. Name
<b>ENGINE</b>		22.	COOLING PUMP(FRESH WATER)
1.	CYLINDER BLOCK	23.	V-BELT
2.	GEAR HOUSING	24.	COOLER(FRESH WATER)
3.	FLYWHEEL HOUSING	25.	COOLING PIPE(SEA WATER)(FOR KM35A2, KM35P, SD60, CLUTCHLESS)
4.	OIL SUMP	57.	(25A)COOLING PIPE(SEA WATER)(FOR ZF25, ZF25A)
5.	BREATHER	26.	COOLING PIPE(SEA WATER)(FOR ZF30M)
73.	(5A)BREATHER(SOLAS SPEC.)(OPTIONAL)	27.	COOLING PIPE(SEA WATER)(FOR KM4A1)
6.	LABEL	28.	COOLING PIPE(FRESH WATER)
7.	MOUNTING FOOT	29.	HOT WATER CONNECTION(OPTIONAL)
8.	COVER(BELT)	30.	FUEL SUPPLY PUMP
9.	COVER(ENGINE)	31.	FUEL INJECTION VALVE & FUEL INJECTION PIPE
54.	(9A)COVER(SERVICE)(OPTIONAL)	32.	FUEL FILTER
10.	CYLINDER HEAD	33.	FUEL PRE-FILTER(HULL SIDE)
11.	BONNET	58.	(33A)FUEL COOLER(HULL SIDE)(OPTIONAL)
12.	SUCTION MANIFOLD	34.	FUEL PIPE
13.	AIR INTAKE SILENCER	35.	ELECTRONIC CONTROL UNIT(ECU) & BRACKET
14.	MIXING ELBOW(L TYPE)	36.	STARTER MOTOR
15.	MIXING ELBOW(U TYPE)	37.	RELAY
55.	(15A)MIXING ELBOW(L TYPE)(FOR BJT)	38.	ALTERNATOR(EARTH TYPE)
16.	CAMSHAFT & DRIVING GEAR	59.	(38A)ALTERNATOR(EARTH FLOAT TYPE REMODEL KIT)(OPTIONAL)
17.	CRANKSHAFT & FLYWHEEL	39.	ALTERNATOR KIT(2ND)(OPTIONAL)
18.	PISTON & CONNECTING ROD	60.	(39A)ALTERNATOR KIT(2ND)(ISOLATED TYPE)(OPTIONAL)
19.	LUB. OIL SYSTEM	61.	(39B)ALTERNATOR(INNER PARTS)
20.	DIPSTICK	62.	(39C)ALTERNATOR(INNER PARTS)(ISOLATED TYPE)
21.	COOLING PUMP(SEA WATER)	40.	WIRE HARNESS

# Contents

OCF50-M00081

Fig. No. Fig. Name

- 42. CLUTCH(OPTIONAL)
- 56. (42A)SHIFT HARNESS(FOR ZF25, ZF25A SOLENOID SHIFT)
- 43. DAMPER DISC(OPTIONAL)
- 44. ELECTRIC PARTS(FOR SD60)
- 63. (44A)PROPELLER NUT(FOR SD60)(OPTIONAL)
- 45. EMERGENCY STOP SWITCH
- 48. (45A)SENSOR(THROTTLE)(FOR A15, B25, C35 PANEL)
- 41. (45B)TERMINAL ADAPTER & EXTENSION HARNESS(FOR A15, B25, C35 PANEL)
- 64. (45C)INSTRUMENT PANEL(A15)(MEDALLION)
- 46. INSTRUMENT PANEL(B25)(MEDALLION)
- 47. INSTRUMENT PANEL(C35)(MEDALLION)
- 49. EMERGENCY STOP SWITCH(FOR A15, B25, C35 PANEL)(OPTIONAL)
- 65. (49A)DISPLAY(FOR A15, B25, C35 PANEL)(OPTIONAL)
- 66. (49B)CAN CONVERTOR(FOR A15, B25, C35 PANEL)(OPTIONAL)
- 67. (49C)VC10(SINGLE ENGINE)(OPTIONAL)
- 68. (49D)VC10(TWIN ENGINE)(OPTIONAL)
- 69. (49E)VC10(DISPLAY & PANEL)(INNER PARTS)
- 70. (49F)CAP(THROTTLE CONNECTOR)(FOR VC10)
- 71. (49G)FLEXIBLE MOUNT(FOR KM4A1, KM35A2, KM35P, ZF, CLUTCHLESS)
- 72. (49H)FLEXIBLE MOUNT(FOR SD60)
- 51. LABEL(SAFETY)(BUNDLED ITEMS)
- 50. (51A)TOOL
- 52. REMOTE CONTROL HEAD(OPTIONAL)
- 53. REMOTE CONTROL CABLE(OPTIONAL)
- 74. DISPLAY(YD42)

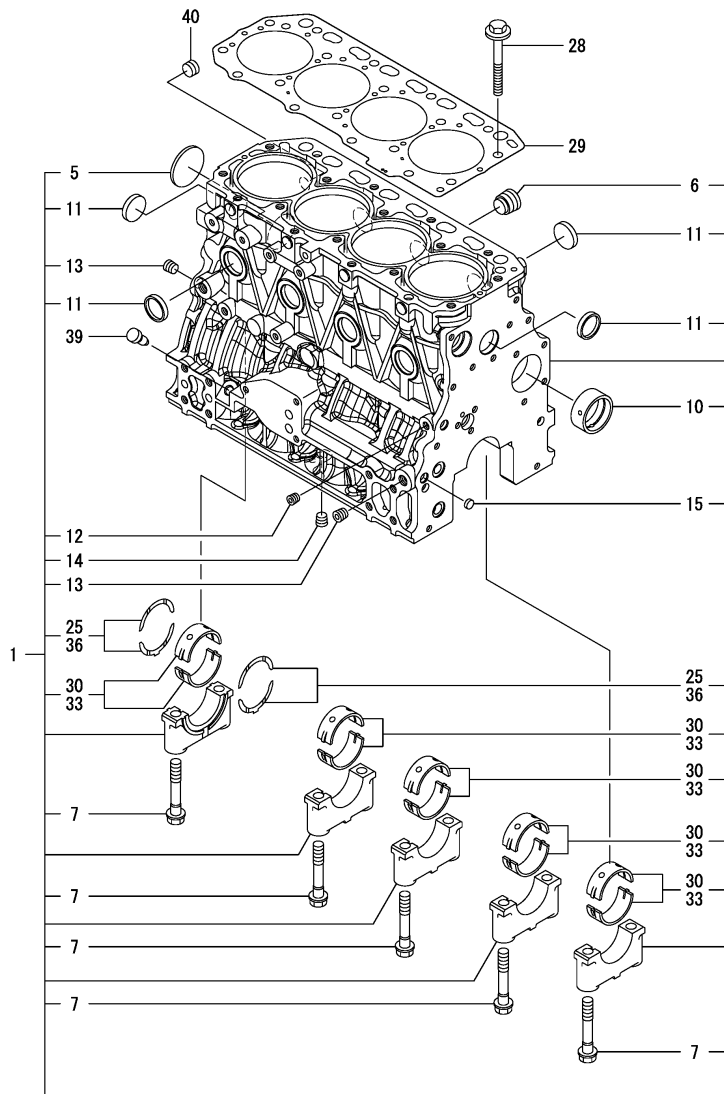
Fig. No. Fig. Name

- 75. DISPLAY(YD25)
- 76. CONTROL HEAD KIT

Fig.1. CYLINDER BLOCK

(A)=4JH45  
(B)=4JH57  
(C)=

(D)=  
(E)=  
(F)=

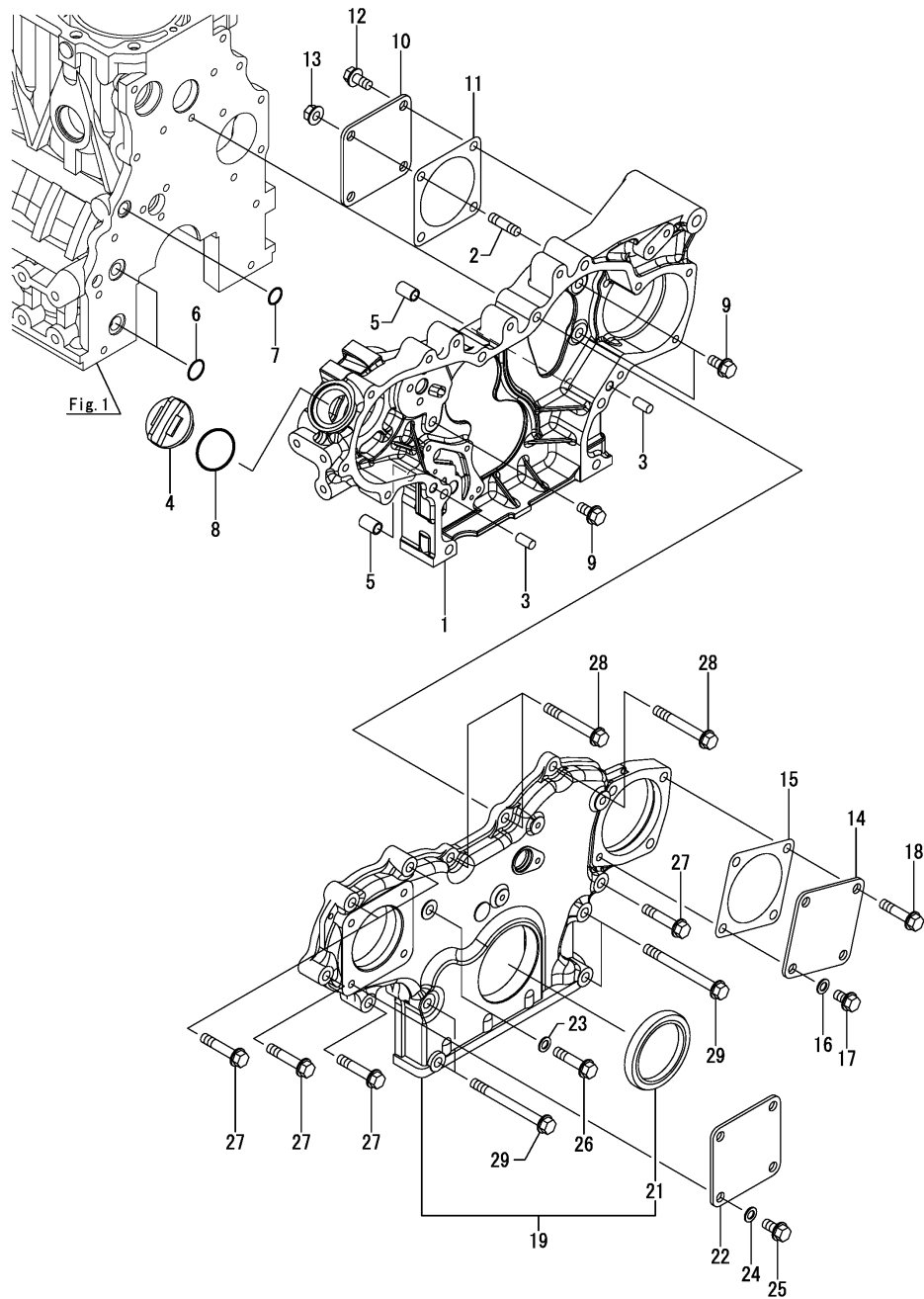


No.	Lev.	Parts No.	Description	Q'ty						I	R
				(A)	(B)	(C)	(D)	(E)	(F)		
1	1	129C00-01560	BLOCK ASSY, CYLINDER	1	1						
5	3	129001-01250	PLUG, 50	1	1						
6	3	171051-01921	PLUG, NPTF1	1	1						
7	3	129150-02020	BOLT, METAL CAP	10	10						
10	3	129795-02412	BUSH, CAMSHAFT	1	1						
11	3	27241-300000	PLUG 30	8	8						
12	2	124060-01050	PLUG, PT1/8	1	1						
13	2	124160-01910	PLUG, PT1/4	2	2						
14	2	124160-01910	PLUG, PT1/4	1	1						
15	2	27241-120000	PLUG, 12	1	1						
25	2	129150-02931	METAL ASSY, THRUST	2	2						
28	1	129150-01200	BOLT, CYLINDER HEAD	18	18						
29	1	129685-01350	GASKET, HEAD	1	1						
30	1	129001-02931	METAL ASSY, MAIN	5	5						1
33	1	129150-02871	METAL ASSY, MAIN .25	5	5						2
36	1	129150-02941	METAL ASSY, 0.25 OS	1	1						3
39	1	124976-34850	PLUG	1	1						
40	1	23875-030000	PLUG, R03	1	1						

Remarks

- (1) Spare parts.
- (2) Under-sized (U.S.=0.25) parts.
- (3) Over-sized (O.S.=0.25) parts.

Fig.2. GEAR HOUSING

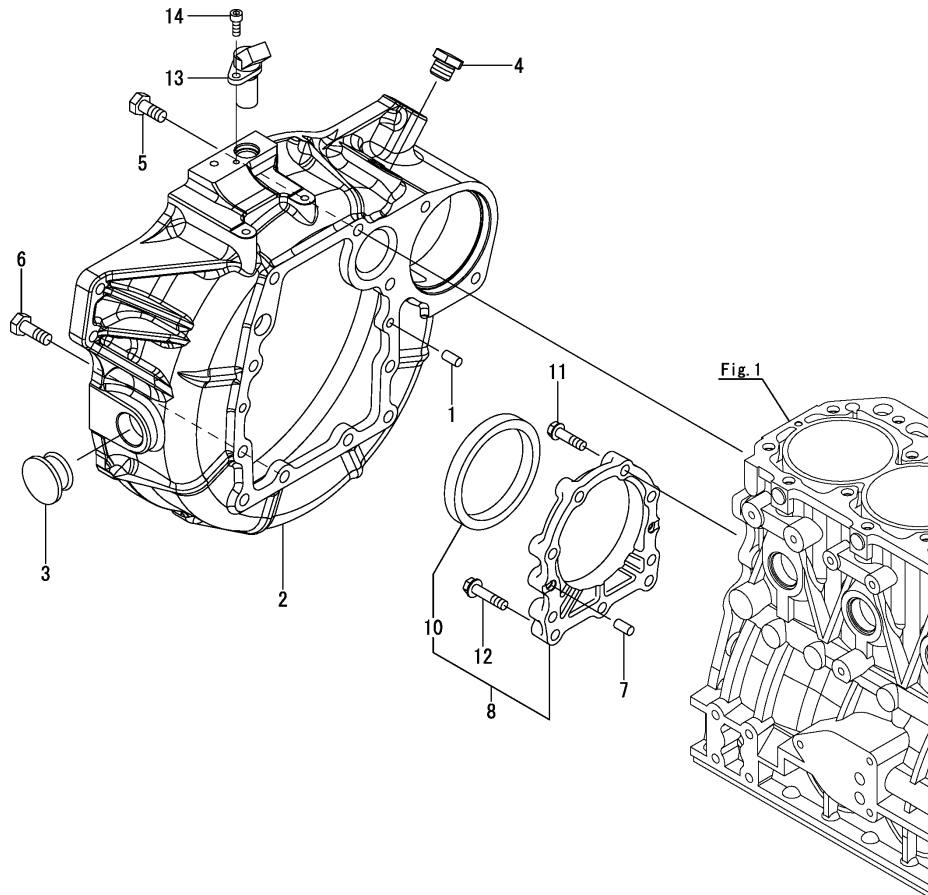


(A)=4JH45  
(B)=4JH57  
(C)=

(D)=  
(E)=  
(F)=

No.	Lev.	Parts No.	Description	Q'ty						I	R
				(A)	(B)	(C)	(D)	(E)	(F)		
1	1	129677-01500	CASE, GEAR	1	1						
2	1	121450-01560	BOLT, PUMP M8X22	1	1						
3	1	129100-01580	PIN, PARALLEL 8X16	2	2						
4	1	124160-01751	CAP, FILLER	1	1						
5	1	129795-01950	PIPE, KNOCK L=18	2	2						
6	1	119609-32040	O-RING, P16	2	2						
7	1	119624-32040	O-RING, P12.0	1	1						
8	1	24311-000320	O-RING, 1AP32.0	1	1						
9	1	26106-080162	BOLT, M8X 16 PLATED	3	3						
10	1	124240-01871	COVER, HYDRAULIC PUMP	1	1						
11	1	129C26-01890	GASKET, PUMP	1	1						
12	1	26106-080162	BOLT, M8X 16 PLATED	3	3						
13	1	26306-080002	NUT, M8	1	1						
14	1	124240-01871	COVER, HYDRAULIC PUMP	1	1						
15	1	129C26-01890	GASKET, PUMP	1	1						
16	1	22190-080002	WASHER, SEAL 8	1	1						
17	1	26106-080142	BOLT, M8X 14 PLATED	1	1						
18	1	26106-080352	BOLT, M8X 35 PLATED	3	3						
19	1	129677-01550	COVER ASSY, CASE	1	1						
21	2	119934-01800	SEAL, OIL	1	1						
22	1	124240-01871	COVER, HYDRAULIC PUMP	1	1						
23	1	22190-080002	WASHER, SEAL 8	1	1						
24	1	22190-080002	WASHER, SEAL 8	4	4						
25	1	26106-080162	BOLT, M8X 16 PLATED	4	4						
26	1	119802-13590	BOLT, M8X35 10.9T	1	1						
27	1	26106-080402	BOLT, M8X 40 PLATED	5	5						
28	1	26106-080602	BOLT, M8X 60 PLATED	3	3						
29	1	26106-080852	BOLT, M8X 85 PLATED	4	4						

Fig.3. FLYWHEEL HOUSING



(A)=4JH45  
(B)=4JH57  
(C)=

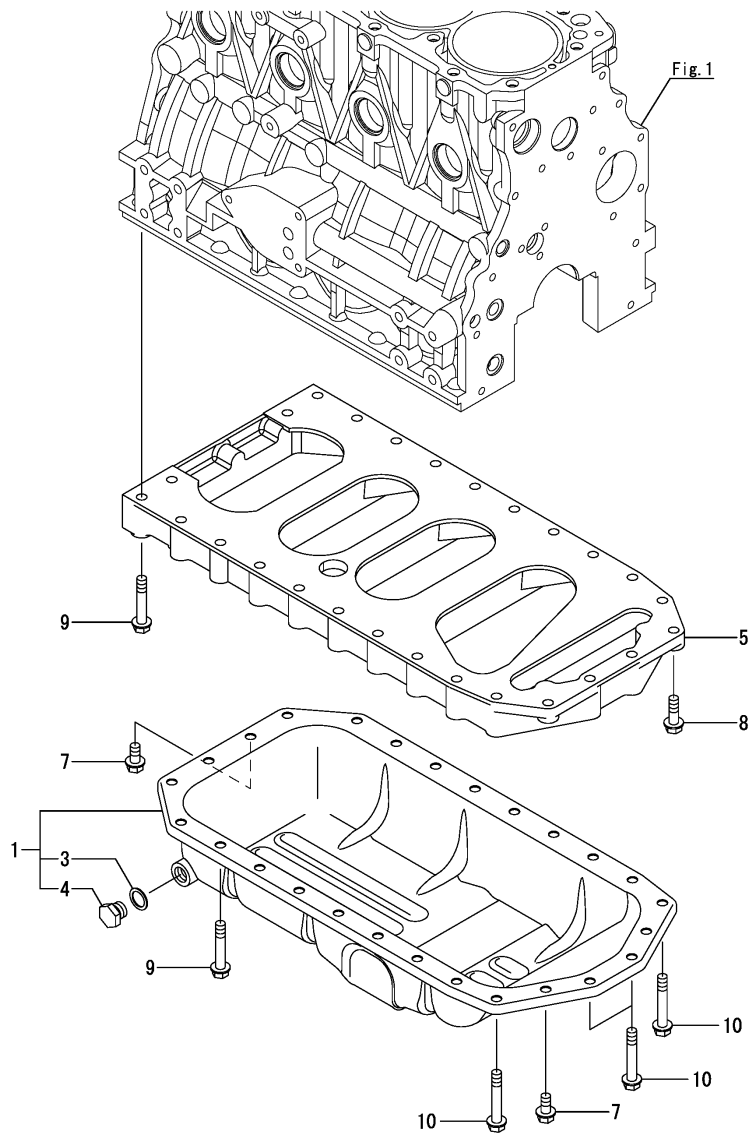
(D)=  
(E)=  
(F)=

No.	Lev.	Parts No.	Description	Q'ty						I	R
				(A)	(B)	(C)	(D)	(E)	(F)		
1	1	129100-01580	PIN, PARALLEL 8X16	2	2						
2	1	129675-01620	HOUSING, FLYWHEEL	1	1						
3	1	119620-01750	CAP, WHEEL COVER	1	1						
4	1	23887-180002	PLUG, 18	1	1						
5	1	26206-100252	BOLT, M10X 25 PLATED	6	6						
6	1	26206-100302	BOLT, M10X 30 PLATED	4	4						
7	1	129100-01580	PIN, PARALLEL 8X16	2	2						
8	1	129100-01640	CASE ASSY, OIL SEAL	1	1						
10	2	129795-01780	SEAL, OIL	1	1						
11	1	129486-01670	BOLT, M8X30	6	6						
12	1	26106-080352	BOLT, M8X 35 PLATED	3	3						
13	1	129A00-21710	SENSOR, FLYWHEEL	1	1						
14	1	26450-060162	BOLT, M6X 16	1	1						

Fig.4. OIL SUMP

(A)=4JH45  
(B)=4JH57  
(C)=

(D)=  
(E)=  
(F)=



No.	Lev.	Parts No.	Description	Q'ty						I	R
				(A)	(B)	(C)	(D)	(E)	(F)		
1	1	129670-01700	SUMP, OIL	1	1						
3	2	23414-140000	GASKET, 14X1.0	1	1						
4	2	23887-140002	PLUG M14	1	1						
5	1	129400-01730	SPACER, OIL PAN	1	1						
7	1	26106-080162	BOLT, M8X 16 PLATED	4	4						
8	1	26106-080252	BOLT, M8X 25 PLATED	2	2						
9	1	26106-080452	BOLT, M8X 45 PLATED	20	20						
10	1	26106-080502	BOLT, M8X 50 PLATED	4	4						

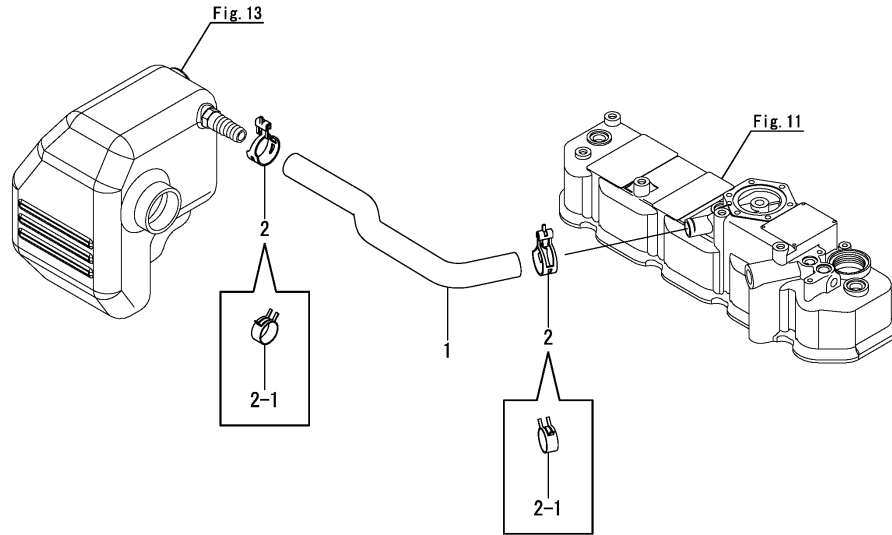


OCF50-M00081 ENGINE  
**Fig.5. BREATHER**

(A)=4JH45  
 (B)=4JH57  
 (C)=

(D)=  
 (E)=  
 (F)=

No.	Lev.	Parts No.	Description	Q'ty						I	R
				(A)	(B)	(C)	(D)	(E)	(F)		
1	1	129675-03090	PIPE, BREATHER	1	1						
2	1	124398-49700	CLIP, HOSE 24.0	2	2						
2-1	1	129410-03990	CLAMP, HOSE 21.5	2	2						N
		(A=E10815)	(B=E10638)								




---

---

---

---

---

---

---

---

---

---

---

---

---

---

---

---

---

---

---

---

---

---

---

---

---

---

---

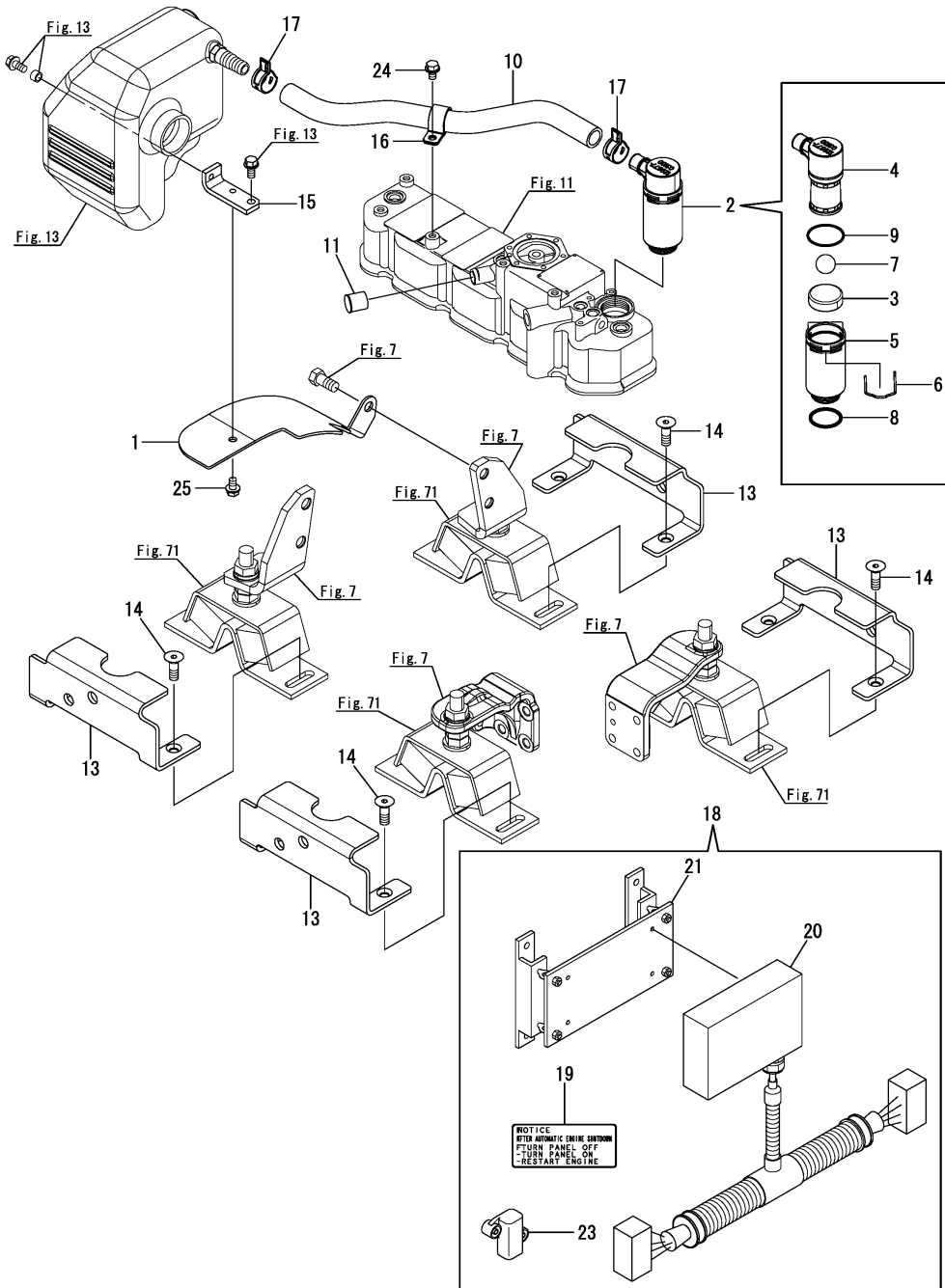
---

---

---

---

Fig.73. (5A)BREATHER(SOLAS SPEC.)(OPTIONAL)

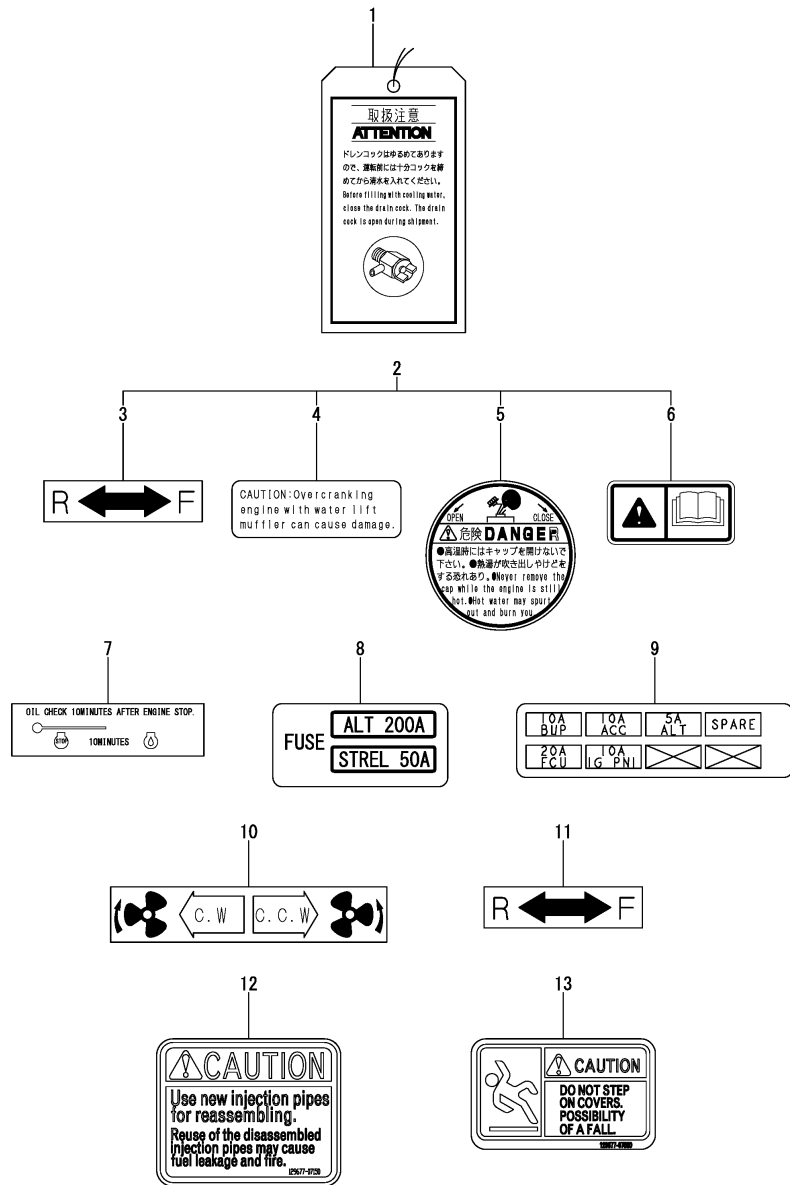


(A)=4JH45  
(B)=4JH57  
(C)=

(D)=  
(E)=  
(F)=

No.	Lev.	Parts No.	Description	Q'ty						I	R
				(A)	(B)	(C)	(D)	(E)	(F)		
1	1	129675-01910	PLATE, SPLASH	1	1						
2	1	129677-03100	VALVE ASSY, OIL STOP	1	1						
3	2	121850-03050	FILTER, BREATHER	1	1						
4	2	129677-03110	BODY, OIL STOP VALVE	1	1						
5	2	129677-03120	HOUSING, OIL STOP VA	1	1						
6	2	129677-03130	CLIP, LOCK	1	1						
7	2	24190-280001	BALL, STEEL 7/8	1	1						
8	2	24311-000320	O-RING, 1AP32.0	1	1						
9	2	24341-000400	O-RING, 1AS40.0	1	1						
10	1	129675-03140	HOSE, BREATHER	1	1						
11	1	129677-03150	CAP, BREATHER BONNET	1	1						
13	1	129677-08950	STOPPER, RUBBER MOUNT	4	4						
14	1	129677-08960	BOLT, M10X30 STOPPER	8	8						
15	1	129675-12410	BRACKET, SILENCER	1	1						
16	1	121575-49310	RETAINER, PIPE	1	1						
17	1	124398-49700	CLIP, HOSE 24.0	2	2						
18	1	129677-77500	BOX ASSY, SOLAS SWITC	1	1						
19	2	129677-07220	LABEL, CAUTION	1	1						
20	2	129677-77510	HARNES ASSY, TILT SW	1	1						
21	2	120662-77530	BRACKET, SWITCH BOX	1	1						
23	2	119175-91510	SWITCH, TURN OVER	1	1						
24	1	26106-080122	BOLT, M8X 12 PLATED	1	1						
25	1	26106-080122	BOLT, M8X 12 PLATED	1	1						

Fig.6. LABEL



(A)=4JH45  
(B)=4JH57  
(C)=

(D)=  
(E)=  
(F)=

No.	Lev.	Parts No.	Description	Q'ty						I	R
				(A)	(B)	(C)	(D)	(E)	(F)		
1	1	123682-07852	LABEL, CAUTION	1	1						
2	1	128990-07900	LABEL ASSY, CAUTION	1	1						
3	2	177088-02430	LABEL	1	1						
4	2	128377-07150	LABEL, CAUTION	1	1						
5	2	128990-07270	LABEL, PRESSURE CAP	1	1						
6	2	196630-12980	LABEL, CAUTION	1	1						
7	1	128990-34900	LABEL, OIL CHECK	1	1						
8	1	129677-07800	LABEL, FUSE	1	1						
9	1	129677-07810	LABEL, FUSE LOCATION	1	1						
10	1	177073-02431	LABEL, DIRECTION	1	1						1
11	1	177088-02430	LABEL	1	1						2
12	1	129677-07150	LABEL, CAUTION INJ-P	1	1						W
13	1	129677-07850	LABEL, CAUTION	1	1						W

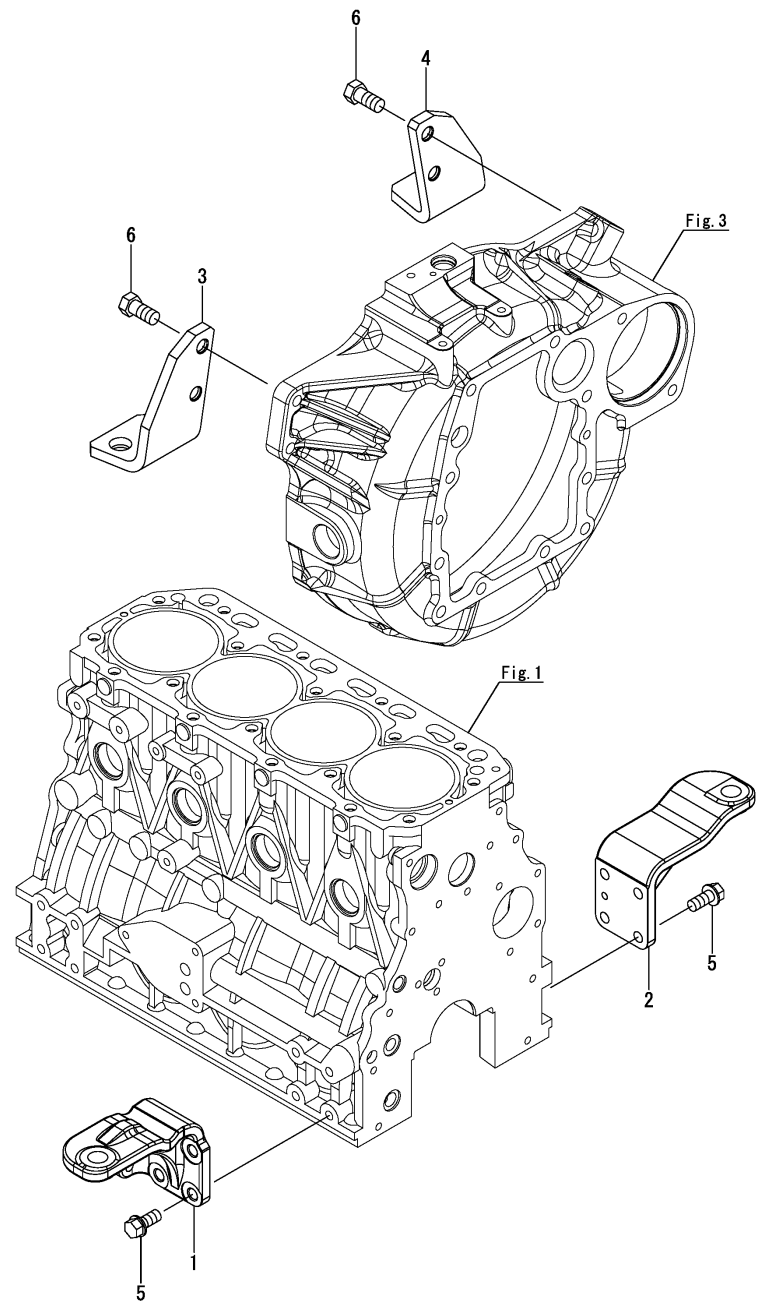
Remarks  
(1)For KM4A1(Optional parts)  
(2)For KM35A2, KM35P(Optional parts)

# Fig.7. MOUNTING FOOT

(A)=4JH45  
(B)=4JH57  
(C)=

(D)=  
(E)=  
(F)=

No.	Lev.	Parts No.	Description	Q'ty						I	R
				(A)	(B)	(C)	(D)	(E)	(F)		
1	1	129671-08211	FOOT, MOUNTING	1	1						
2	1	129670-08220	FOOT, MOUNTING B	1	1						
3	1	129670-08231	FOOT, MOUNTING C	1	1						
4	1	129670-08241	FOOT, MOUNTING D	1	1						
5	1	26106-100222	BOLT, M10X 22 PLATED	8	8						
6	1	26116-120252	BOLT, M12X 25 PLATED	4	4						




---



---



---



---



---



---



---



---



---



---



---



---



---



---



---

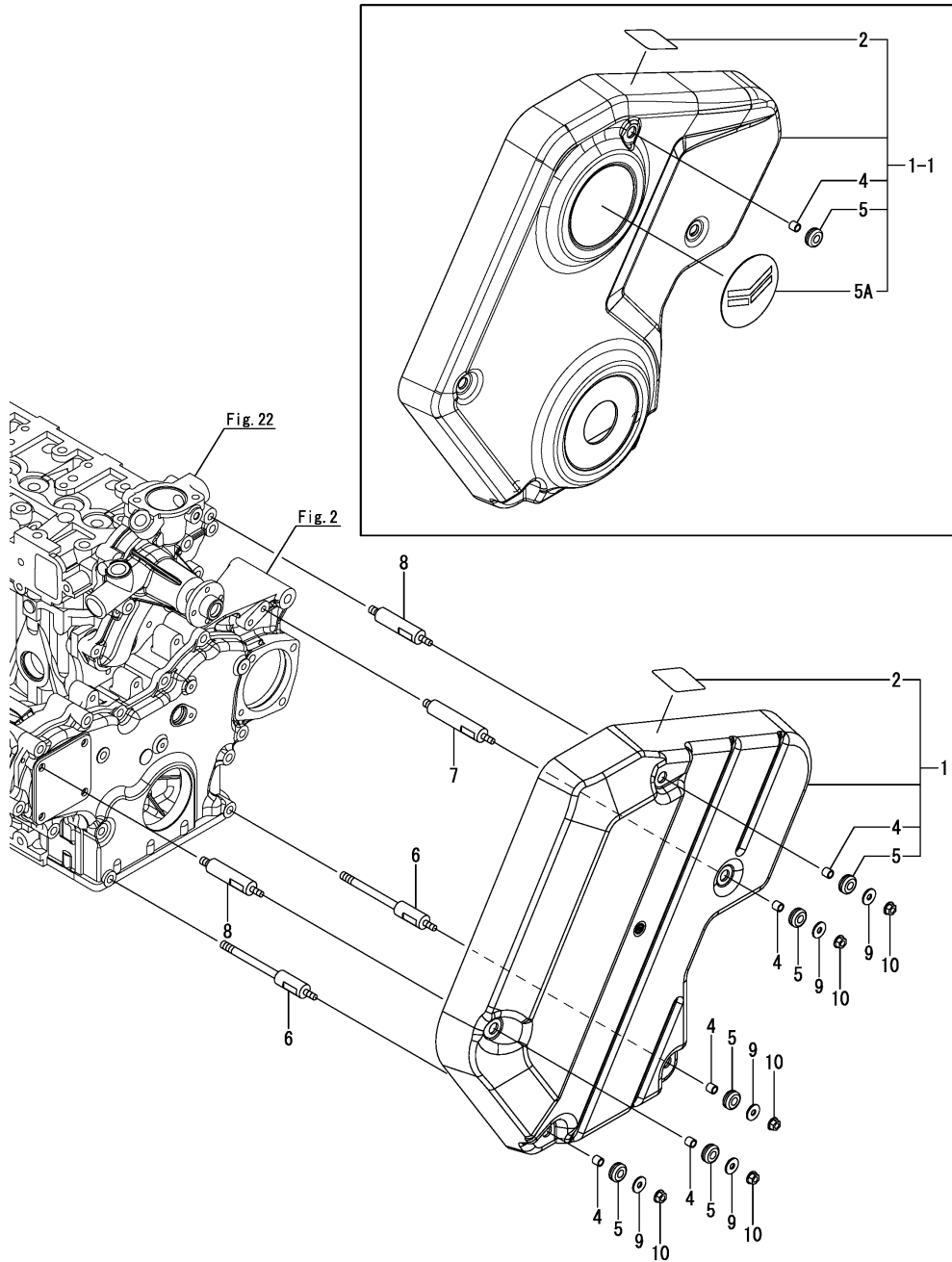


---

Fig.8. COVER(BELT)

(A)=4JH45  
(B)=4JH57  
(C)=

(D)=  
(E)=  
(F)=

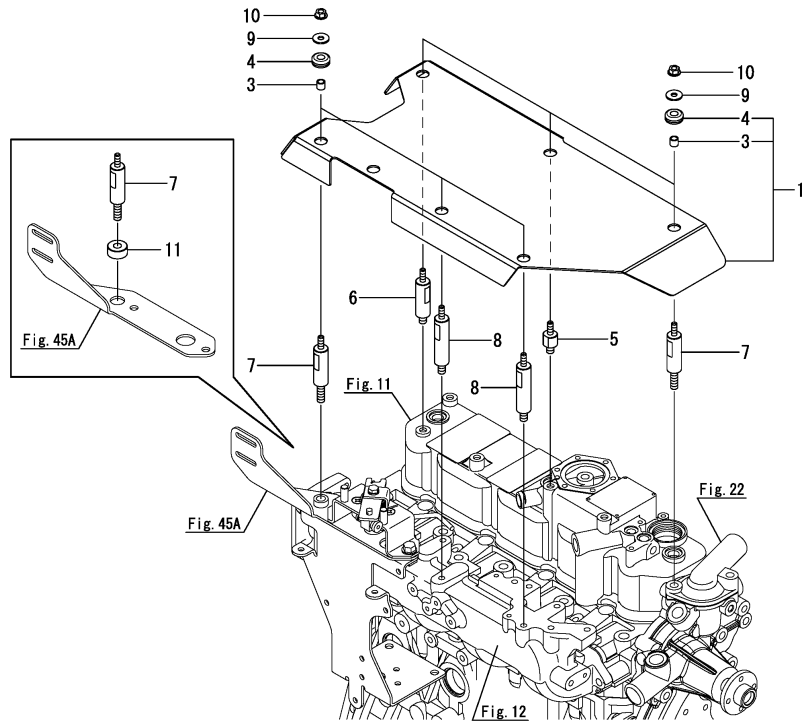
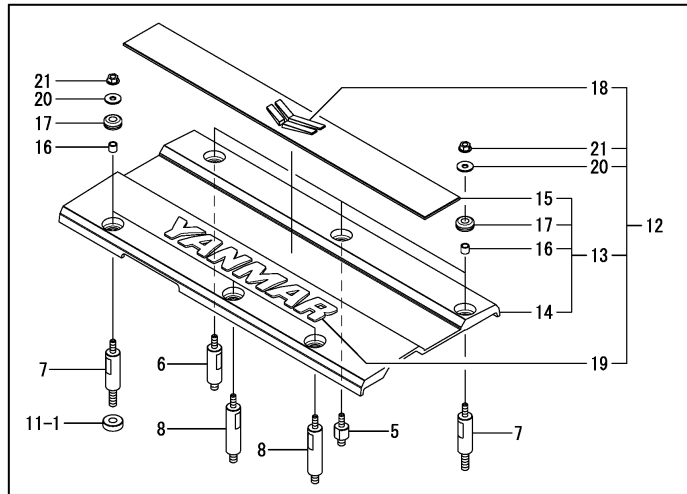


No.	Lev.	Parts No.	Description	Q'ty						I	R
				(A)	(B)	(C)	(D)	(E)	(F)		
1	1	129677-09000	COVER ASSY, BELT	1	1						
1-1	1	129677-09020	COVER ASSY, BELT	1	1						N
		(A=*2017.12.) (B=*2017.12.)									
2	2	128377-07350	LABEL, CAUTION	1	1						
4	2	128990-77441	COLLAR, M6	5	5						
5	2	128990-77600	GROMMET, M6	5	5						
5A	2	1A8060-65250	LABEL, FLYING Y	1	1						W
		(A=*2017.12.) (B=*2017.12.)									
6	1	129677-09411	BOLT, SPACER L=38	2	2						
7	1	129677-09431	BOLT, SPACER L=75	1	1						
8	1	129677-09481	BOLT, SPACER L=60	2	2						
9	1	128990-77510	WASHER, PLAIN	5	5						
10	1	26366-060002	NUT, M6	5	5						

Fig.9. COVER(ENGINE)

(A)=4JH45  
(B)=4JH57  
(C)=

(D)=  
(E)=  
(F)=



No.	Lev.	Parts No.	Description	Q'ty						I	R		
				(A)	(B)	(C)	(D)	(E)	(F)				
1	1	129677-09201 (A=*2017.12.) (B=*2017.12.)	COVER ASSY	1	1						Z	2	
3	2	128990-77441	COLLAR, M6	6	6							Z	
4	2	128990-77600 (A=*2017.12.) (B=*2017.12.)	GROMMET, M6	6	6							Z	
5	1	129677-09451	BOLT, SPACER L=14	1	1								
6	1	129677-09461	BOLT, SPACER L=45	1	1								
7	1	129677-09471	BOLT, SPACER L=47	2	2								
8	1	129677-09481	BOLT, SPACER L=60	2	2								
9	1	128990-77510 (A=*2017.12.) (B=*2017.12.)	WASHER, PLAIN	6	6							Z	
10	1	26366-060002	NUT, M6	6	6								
11	1	129677-09620 (A=E10815) (B=E10638)	SPACER, TOPCOVER D=9	1	1							W	1
11-1	1	129677-09621 (A=*2017.12.) (B=*2017.12.)	SPACER, TOPCOVER 4JHC	1	1							S	
12	1	129677-09300 (A=*2017.12.) (B=*2017.12.)	COVER ASSY, TOP	1	1							W	2
13	2	129677-09290	COVER SUB ASSY, TOP	1	1								
14	3	129677-09310	COVER, TOP BASE	1	1								
15	3	129677-09320	PLATE, TOP COVER	1	1								
16	3	128990-77441	COLLAR, M6	6	6								
17	3	128990-77600	GROMMET, M6	6	6								
18	2	129677-09330	EMBLEM, FY S04	1	1								
19	2	129677-09340	MARK, YANMAR PR L250	1	1								
20	2	128990-77510	WASHER, PLAIN	6	6								
21	2	26366-060002	NUT, M6	6	6								

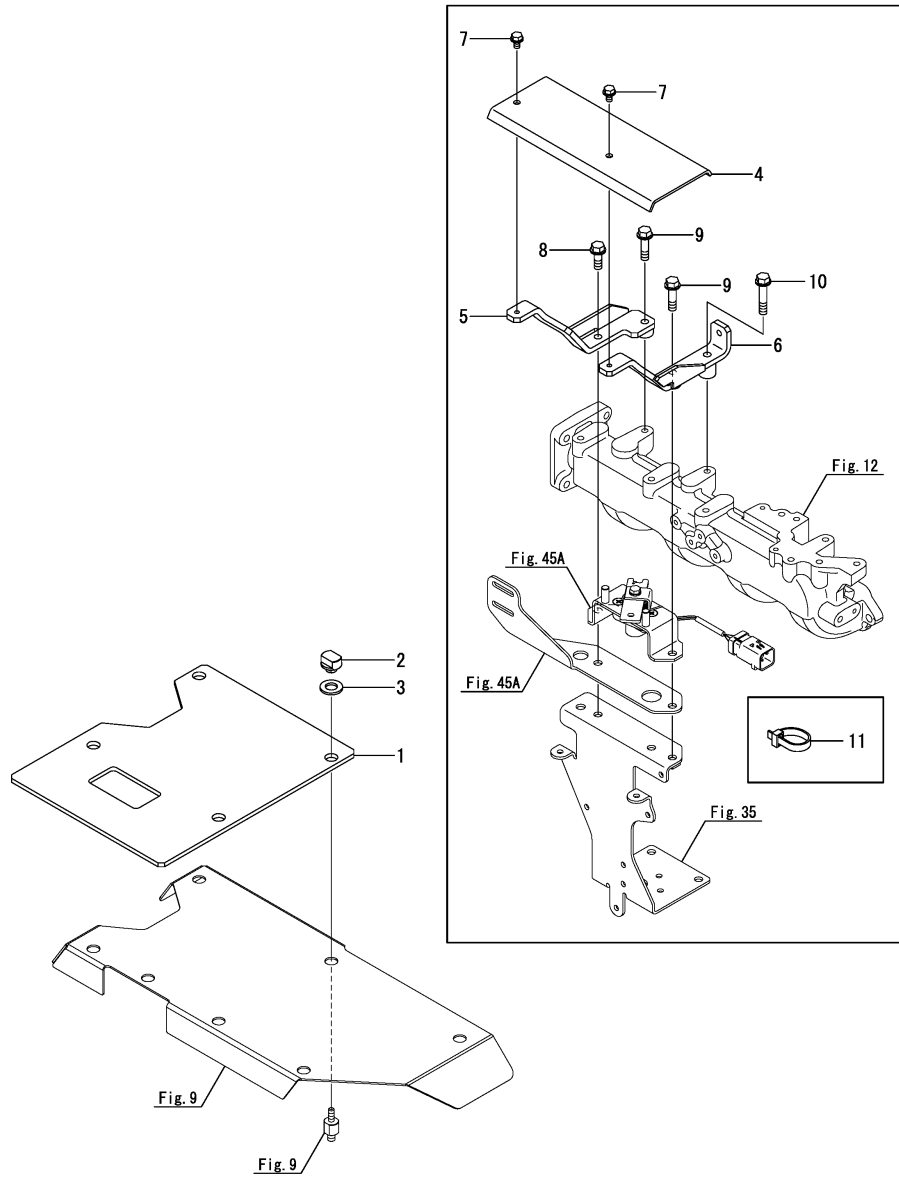
Remarks

- (1) Fig.48(45A) No.6-1 interchangeable by set.
- (2) Interchangeability of No.1 & No.13 applies to 'N'.

Fig.54. (9A)COVER(SERVICE)(OPTIONAL)

(A)=4JH45  
(B)=4JH57  
(C)=

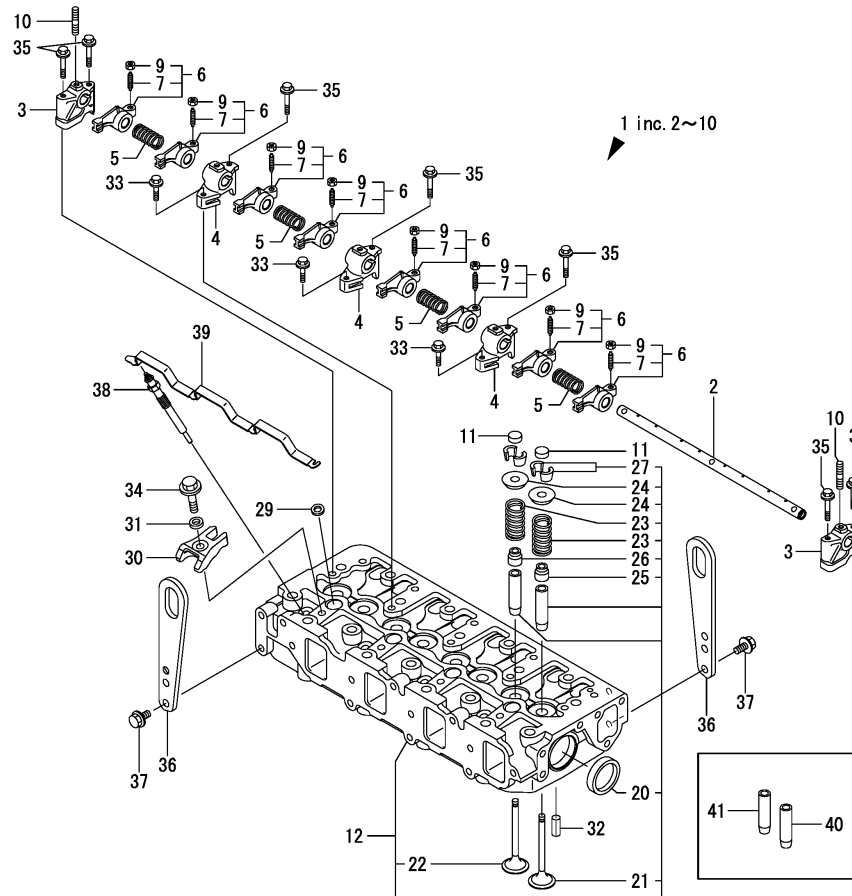
(D)=  
(E)=  
(F)=



No.	Lev.	Parts No.	Description	Q'ty						I	R
				(A)	(B)	(C)	(D)	(E)	(F)		
1	1	129677-09240	COVER, SERVICE	1	1						Z
		(A=*2017.12.) (B=*2017.12.)									
2	1	129677-09250	NUT, COVER	4	4						Z
		(A=*2017.12.) (B=*2017.12.)									
3	1	129677-09270	WASHER, NYLON	4	4						Z
		(A=*2017.12.) (B=*2017.12.)									
4	1	129677-09910	COVER, SERVICE	1	1						W
		(A=*2017.12.) (B=*2017.12.)									
5	1	129677-09920	SUPPORT, A	1	1						W
		(A=*2017.12.) (B=*2017.12.)									
6	1	129677-09930	SUPPORT, B	1	1						W
		(A=*2017.12.) (B=*2017.12.)									
7	1	26106-060102	BOLT, M6X 10 PLATED	2	2						W
		(A=*2017.12.) (B=*2017.12.)									
8	1	26106-080222	BOLT, M8X 22 PLATED	1	1						W
		(A=*2017.12.) (B=*2017.12.)									
9	1	26106-080302	BOLT, M8X 30 PLATED	2	2						W
		(A=*2017.12.) (B=*2017.12.)									
10	1	26106-080402	BOLT, M8X 40 PLATED	1	1						W
		(A=*2017.12.) (B=*2017.12.)									
11	1	29621-200001	BAND, TR200	1	1						W
		(A=*2017.12.) (B=*2017.12.)									

Remarks  
\* Interchangeability of No.1, 2, 3 & No.11 from No.4 applies to 'S'.

Fig.10. CYLINDER HEAD



(A)=4JH45  
(B)=4JH57  
(C)=

(D)=  
(E)=  
(F)=

No.	Lev.	Parts No.	Description	Q'ty						I	R
				(A)	(B)	(C)	(D)	(E)	(F)		
1	1	129601-11241	SHAFT ASSY, ROCKER	1	1						
2	2	129601-11251	SHAFT, ROCKER ARM	1	1						
3	2	119802-11260	SUPPORT, ROCKER ARM	2	2						
4	2	119802-11270	SUPPORT, ROCKER ARM	3	3						
5	2	129150-11280	SPRING, SHAFT	4	4						
6	2	129004-11650	ARM ASSY, ROCKER	8	8						
7	3	129150-11230	SCREW, VALVE ADJUST	8	8						
9	3	129150-11750	NUT, M8XP1.0	8	8						
10	2	26226-080182	STUD, M8X 18	3	3						
11	1	129150-11370	CAP, VALVE	8	8						
12	1	129675-11700	HEAD ASSY, CYLINDER	1	1						
20	3	27241-400000	PLUG, 40	2	2						
21	2	129005-11100	VALVE, INTAKE	4	4						
22	2	129100-11112	VALVE, EXHAUST	4	4						
23	2	129795-11120	SPRING, VALVE	8	8						
24	2	129795-11180	RETAINER, SPRING	8	8						
25	2	121400-11340	SEAL, VALVE STEM	4	4						
26	2	124460-11340	SEAL, VALVE STEM	4	4						
27	2	27310-080001	COTTER, 8	8	8						
29	1	129978-11871	GASKET, INJECTOR	4	4						
30	1	129A00-11900	RETAINER, INJECTOR	4	4						
31	1	120270-54410	WASHER, INJECTOR	4	4						
32	1	22351-060012	PIN, SPRING 6.0X12	2	2						
33	1	26106-080252	BOLT, M8X 25 PLATED	3	3						
34	1	26106-080352	BOLT, M8X 35 PLATED	4	4						
35	1	26106-080502	BOLT, M8X 50 PLATED	7	7						
36	1	129900-07900	LIFTER, ENGINE	2	2						
37	1	26106-080162	BOLT, M8X 16 PLATED	4	4						
38	1	129008-77800	PLUG, GLOW	4	4						
39	1	129C00-77820	CONNECTOR, GLOW PLUG	1	1						
40	1	120130-11860	GUIDE, VALVE	4	4						1
41	1	129150-11810	GUIDE, VALVE	4	4						1

Remarks

(1) Spare parts.

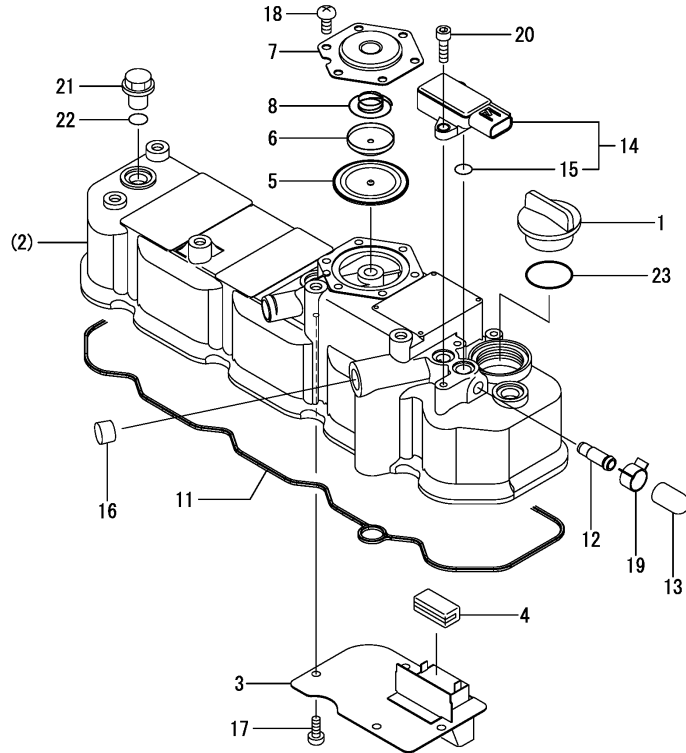


Fig.11. BONNET

(A)=4JH45  
(B)=4JH57  
(C)=

(D)=  
(E)=  
(F)=

2 inc. (2) ~20



No.	Lev.	Parts No.	Description	Q'ty						I	R
				(A)	(B)	(C)	(D)	(E)	(F)		
1	1	124160-01751	CAP, FILLER	1	1						
2	1	129675-11350	BONNET ASSY	1	1						
2-1	1	129675-11351	BONNET ASSY, HEAD	1	1						N
		(A=E10286) (B=E10286)									
3	2	129004-03010	PLATE, BAFFLE	1	1						
4	2	129150-03070	BAFFLE, BREATHER	1	1						
5	2	123907-03100	DIAPHRAGM, BREATHER	1	1						
6	2	123907-03110	PLATE, CENTER	1	1						
7	2	123907-03120	PLATE, BREATHER	1	1						
8	2	123907-03140	SPRING, DIAPHRAGM	1	1						
11	2	129C00-11310	GASKET, BONNET	1	1						
12	2	129A00-11330	JOINT	1	1						
13	2	127605-11370	CAP	1	1						
14	2	129A00-12703	SENSOR,PRESSURE	1	1						
14-1	2	129978-12700	SENSOR, PRESSURE	1	1						N
		(A=E10286) (B=E10286)									
15	3	129A00-12780	O-RING, EGR SENSOR	2	2						
16	2	119640-61400	PLUG	1	1						
17	2	22857-500100	SCREW, 5X10	4	4						
18	2	22857-500100	SCREW, 5X10	6	6						
19	2	23080-012000	CLAMP, 12	1	1						
20	2	26450-060162	BOLT, M6X 16	2	2						
21	1	124160-11360	KNOB, BONNET	3	3						
22	1	24311-000120	O-RING, 1AP12.0	3	3						
23	1	24311-000320	O-RING, 1AP32.0	1	1						

Fig.12. SUCTION MANIFOLD

(A)=4JH45  
(B)=4JH57  
(C)=

(D)=  
(E)=  
(F)=

No.	Lev.	Parts No.	Description	Q'ty						I	R
				(A)	(B)	(C)	(D)	(E)	(F)		
1	1	129677-12101	MANIFOLD ASSY,INTAKE	1	1						
4	2	23876-005000	PLUG, R005	1	1						
5	2	26216-060202	STUD, M6X 20	4	4						
6	1	129677-12130	GASKET, MANIFOLD	1	1						
7	1	105430-67110	CLAMP, CORD	1	1						
8	1	26106-080122	BOLT, M8X 12 PLATED	1	1						
9	1	26106-080202	BOLT, M8X 20 PLATED	5	5						
10	1	129486-12581	JOINT, MANIFOLD	1	1						
11	1	129150-77511	GASKET, AIR HEATER	1	1						
12	1	26106-080202	BOLT, M8X 20 PLATED	4	4						

---

---

---

---

---

---

---

---

---

---

---

---

---

---

---

---

---

---

---

---

---

---

---

---

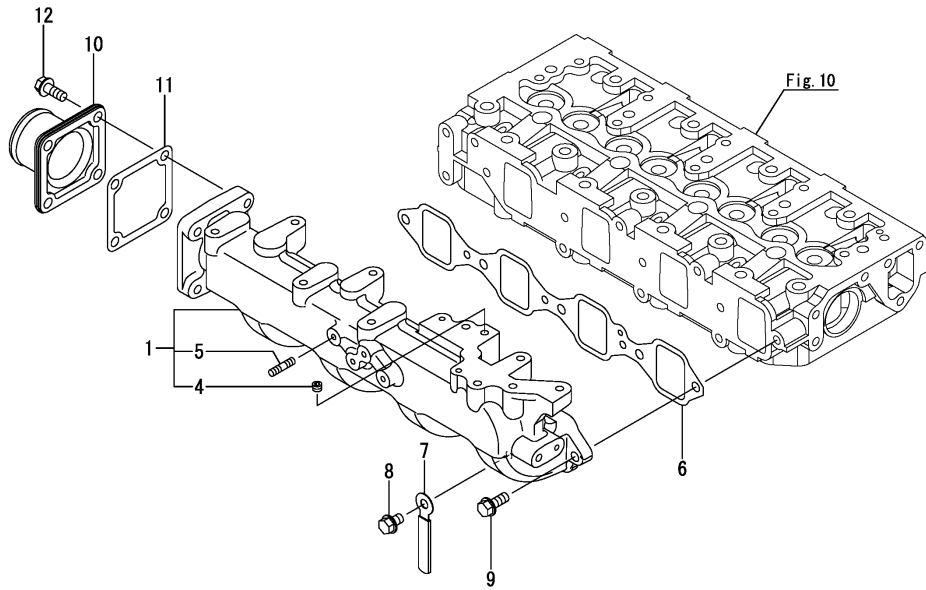


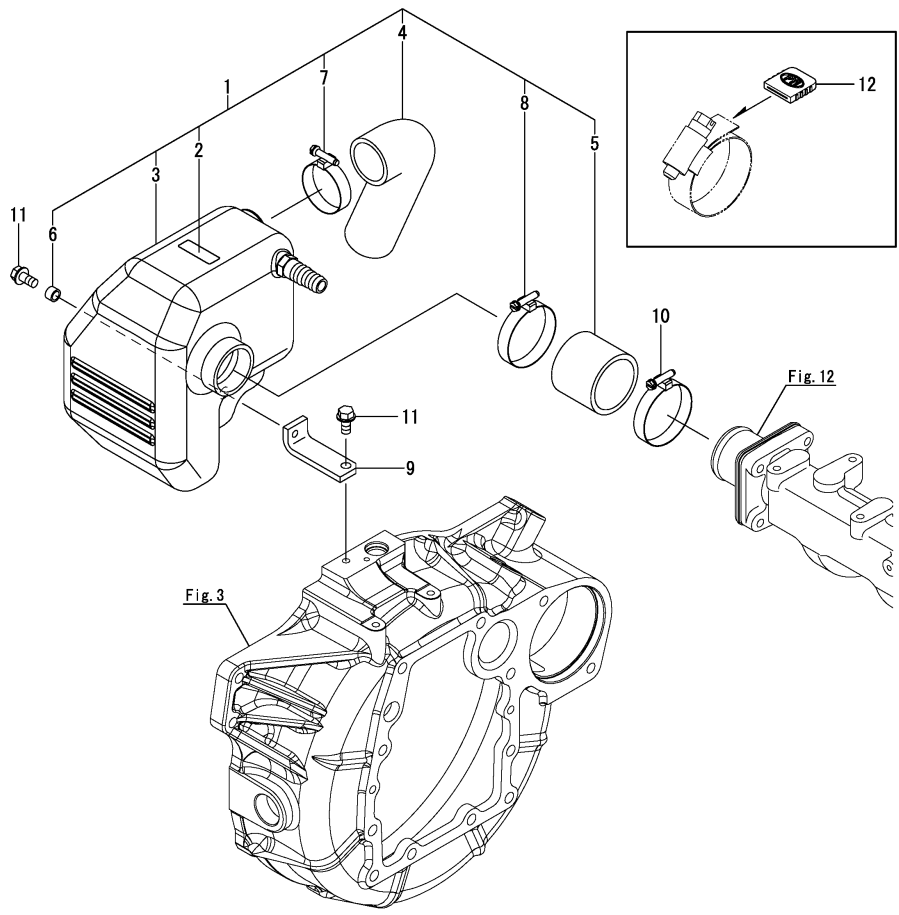
Fig.13. AIR INTAKE SILENCER

(A)=4JH45  
(B)=4JH57  
(C)=

(D)=  
(E)=  
(F)=

No.	Lev.	Parts No.	Description	Q'ty						I	R
				(A)	(B)	(C)	(D)	(E)	(F)		
1	1	129670-12290	SILENCER ASSY,INTAKE	1	1						
2	2	128377-07150	LABEL, CAUTION	1	1						
3	2	129271-12311	SILENCER, INTAKE	1	1						
4	2	129670-12360	PIPE, SILENCER	1	1						
5	2	129271-12810	JOINT, RUBBER	1	1						
6	2	128990-77430	COLLAR, BRACKET	1	1						
7	2	23000-048000	CLAMP, 48	1	1						
8	2	23000-060000	CLAMP, 60	1	1						
9	1	129670-12411	BRACKET, SILENCER	1	1						
10	1	23000-060000	CLAMP, 60	1	1						
11	1	26106-080162	BOLT, M8X 16 PLATED	2	2						
12	1	129677-49950	PROTECTOR,HOSE CLAMP	3	3						W 1

(A=E12082) (B=E12114)



Remarks  
(1)Attached to the ends of No.7, 8 & 10 hose clamps.

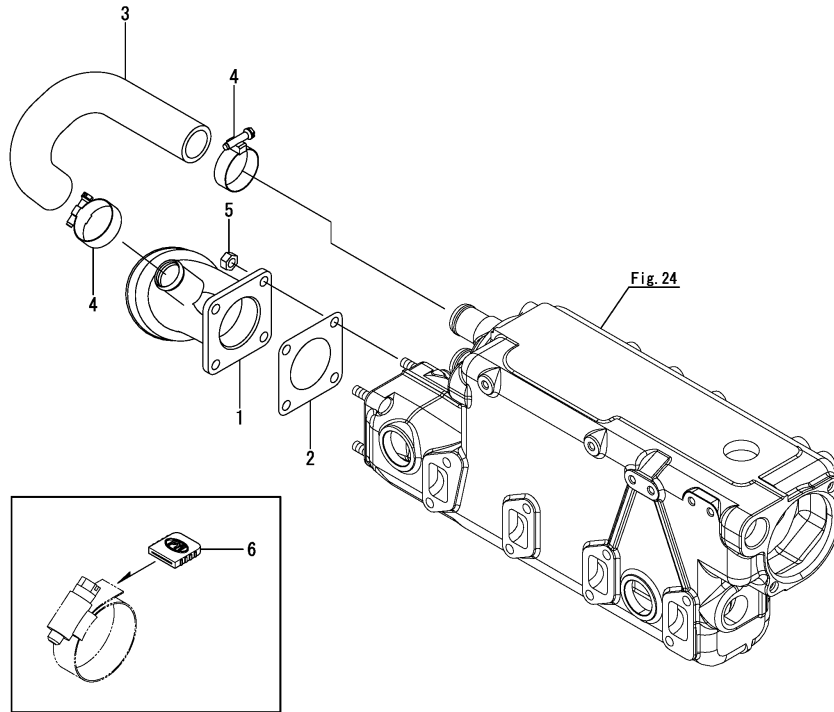
Fig.14. MIXING ELBOW(L TYPE)

(A)=4JH45  
(B)=4JH57  
(C)=

(D)=  
(E)=  
(F)=

No.	Lev.	Parts No.	Description	Q'ty						I	R
				(A)	(B)	(C)	(D)	(E)	(F)		
1	1	129670-13561	ELBOW, WATER MIXING	1	1						
2	1	129472-18090	GASKET, TURBINE IN	1	1						
3	1	129670-49150	PIPE, SEA WATER D	1	1						
4	1	129670-49500	CLIP, HOSE 38	2	2						
5	1	26703-080002	NUT, M8	4	4						
6	1	129677-49950	PROTECTOR,HOSE CLAMP	2	2						W 1

(A=E12082) (B=E12114)



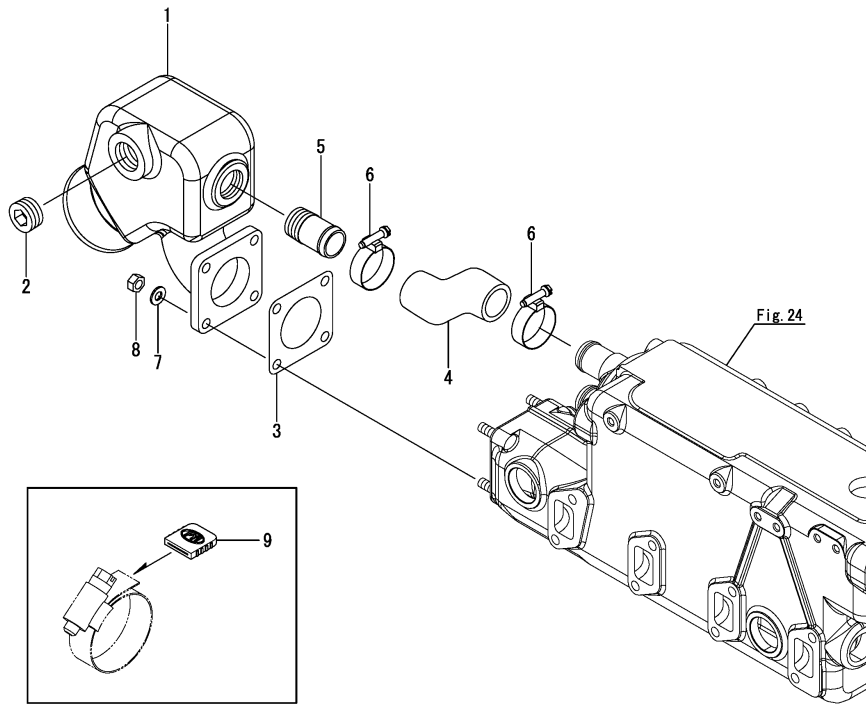
Remarks

(1)Attached to the ends of No.4 hose clamps.

Fig.15. MIXING ELBOW(U TYPE)

(A)=4JH45  
(B)=4JH57  
(C)=

(D)=  
(E)=  
(F)=



No.	Lev.	Parts No.	Description	Q'ty						I	R
				(A)	(B)	(C)	(D)	(E)	(F)		
1	1	129470-13541	ELBOW, MIXING	1	1						
2	1	129472-13560	PLUG, SCREW PT3/4	1	1						
3	1	129472-18090	GASKET, TURBINE IN	1	1						
4	1	129670-49280	PIPE, SEA WATER	1	1						
5	1	123325-49421	JOINT, PIPE	1	1						
6	1	129670-49500	CLIP, HOSE 38	2	2						
7	1	22137-080000	WASHER, 8	4	4						
8	1	26703-080002	NUT, M8	4	4						
9	1	129677-49950	PROTECTOR,HOSE CLAMP	2	2						W 1

(A=E12082) (B=E12114)

Remarks

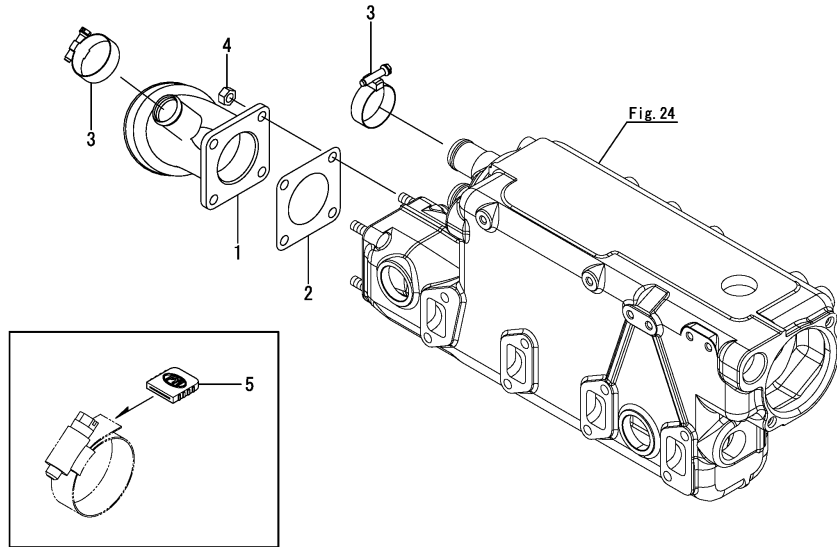
(1)Attached to the ends of No.6 hose clamps.

Fig.55. (15A)MIXING ELBOW(L TYPE)(FOR BJT)

(A)=4JH45  
(B)=4JH57  
(C)=

(D)=  
(E)=  
(F)=

No.	Lev.	Parts No.	Description	Q'ty						I	R
				(A)	(B)	(C)	(D)	(E)	(F)		
1	1	129670-13561	ELBOW, WATER MIXING	1	1						
2	1	129472-18090	GASKET, TURBINE IN	1	1						
3	1	129670-49500	CLIP, HOSE 38	2	2						
4	1	26703-080002	NUT, M8	4	4						
5	1	129677-49950	PROTECTOR,HOSE CLAMP	2	2						W 1
		(A=E12082)	(B=E12114)								



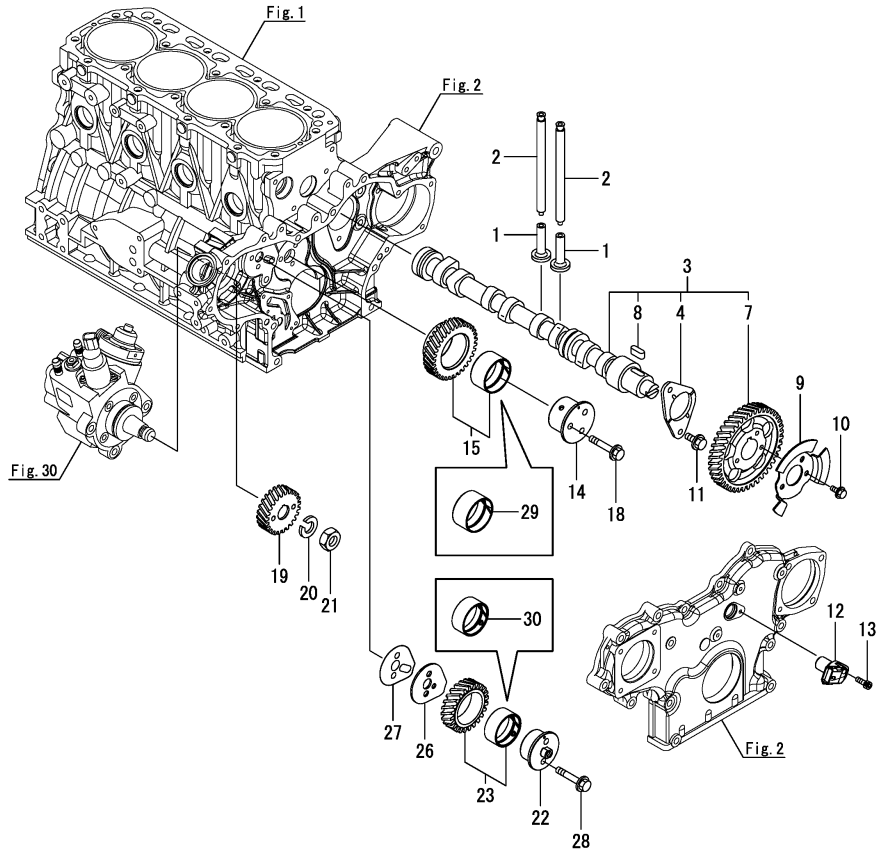
Remarks

(1)Attached to the ends of No.3 hose clamps.

Fig.16. CAMSHAFT & DRIVING GEAR

(A)=4JH45  
(B)=4JH57  
(C)=

(D)=  
(E)=  
(F)=



No.	Lev.	Parts No.	Description	Q'ty						I	R
				(A)	(B)	(C)	(D)	(E)	(F)		
1	1	129150-14200	TAPPET	8	8						
2	1	129150-14400	ROD, PUSH L=178	8	8						
3	1	129C00-14580	CAMSHAFT ASSY	1	1						
4	2	129150-02450	METAL, THRUST	1	1						
7	2	129A00-14100	GEAR, CAMSHAFT	1	1						
8	2	22512-070140	KEY, 7X 14	1	1						
9	1	129A00-14700	PULSER, CAMSHAFT	1	1						
9-1	1	129A00-14701	PULSER, CAMSHAFT	1	1						N
(A=E18733) (B=E18733)											
10	1	26106-060102	BOLT, M6X 10 PLATED	3	3						
11	1	26106-080142	BOLT, M8X 14 PLATED	2	2						
12	1	129A00-14710	SENSOR, ROTATION	1	1						
13	1	26450-060162	BOLT, M6X 16	1	1						
14	1	129A00-25050	SHAFT, IDLE GEAR A	1	1						
15	1	129A00-25110	GEAR ASSY, IDLE A	1	1						
18	1	26106-080452	BOLT, M8X 45 PLATED	3	3						
19	1	129A00-25900	GEAR, SUPPLY PUMP	1	1						
20	1	22217-180000	WASHER, SPRING 18	1	1						
21	1	26776-180002	NUT, LOCK M18	1	1						
22	1	129A00-25060	SHAFT, IDLE GEAR B	1	1						
23	1	129A00-25120	GEAR ASSY, IDLE B	1	1						
26	1	129A00-25200	PLATE, IDLE SHAFT B	1	1						
27	1	129A00-25210	GASKET, IDLE SHAFT B	1	1						
28	1	26106-080402	BOLT, M8X 40 PLATED	2	2						
29	1	119802-25071	BUSH, IDLE GEAR	1	1						1
30	1	129A00-25080	BUSH, IDLE GEAR B	1	1						1

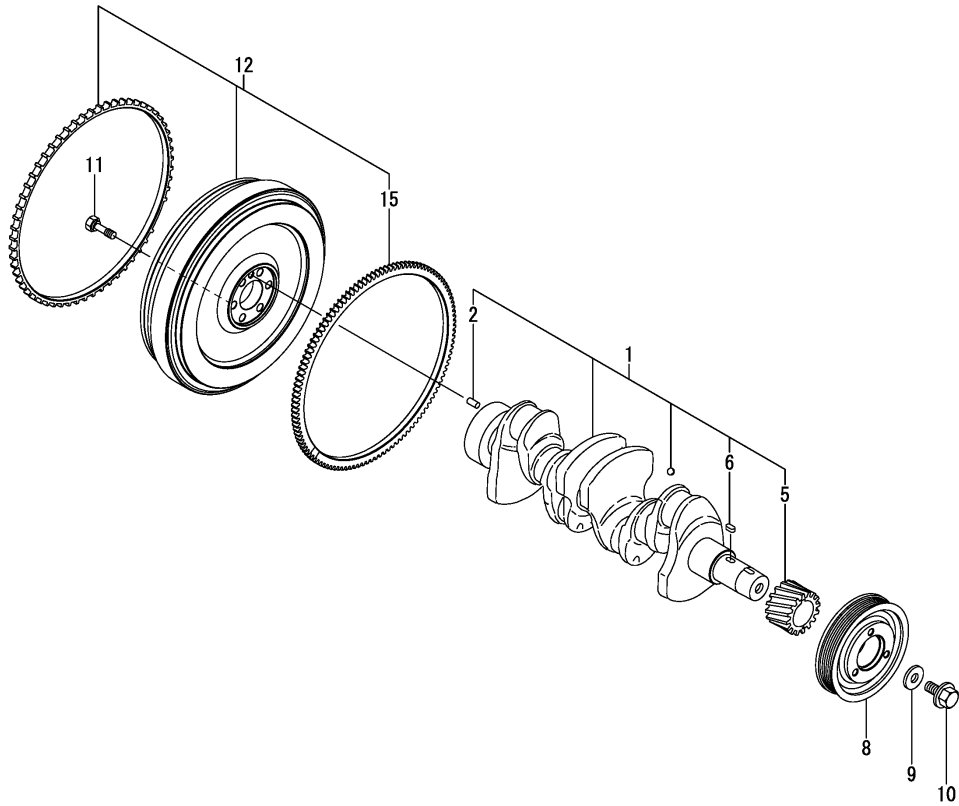
Remarks

(1) Spare parts.

Fig.17. CRANKSHAFT & FLYWHEEL

(A)=4JH45  
(B)=4JH57  
(C)=

(D)=  
(E)=  
(F)=



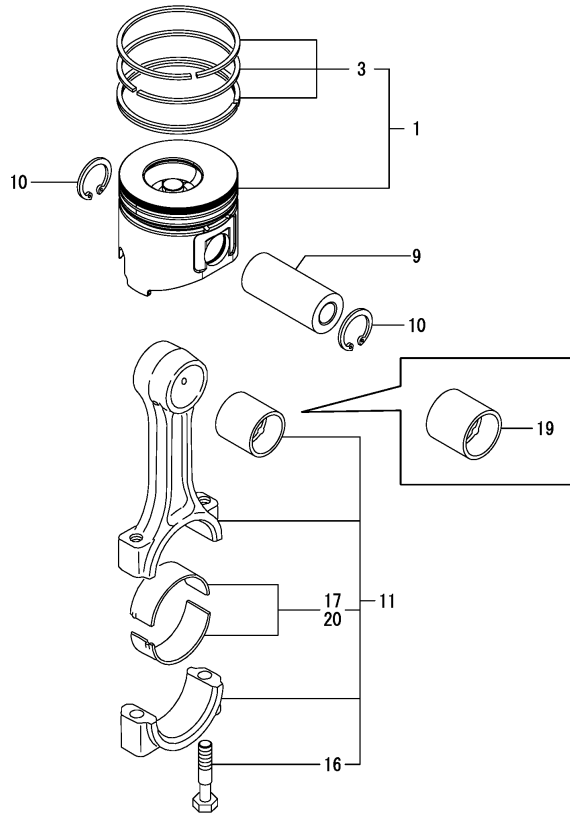
No.	Lev.	Parts No.	Description	Q'ty						I	R
				(A)	(B)	(C)	(D)	(E)	(F)		
1	1	129604-21000	CRANKSHAFT ASSY	1	1						
2	2	129100-01580	PIN, PARALLEL 8X16	1	1						
5	2	119803-21200	GEAR, CRANKSHAFT	1	1						
6	2	22512-070140	KEY, 7X 14	1	1						
8	1	129677-21600	PULLEY, CRANK RIB	1	1						
9	1	129795-21661	WASHER, 14	1	1						
10	1	121850-21680	BOLT, V-PULLEY	1	1						
11	1	121111-21501	BOLT, FLYWHEEL	6	6						
12	1	129675-21580	FLYWHEEL ASSY	1	1						
15	2	119865-21600	GEAR, RING Z=116	1	1						



Fig.18. PISTON & CONNECTING ROD

(A)=4JH45  
(B)=4JH57  
(C)=

(D)=  
(E)=  
(F)=



No.	Lev.	Parts No.	Description	Q'ty						I	R
				(A)	(B)	(C)	(D)	(E)	(F)		
1	1	129675-22000	PISTON ASSY	4	4						
3	2	129A00-22500	RING SET, PISTON	4	4						
9	1	129202-22300	PIN, PISTON D26 L70	4	4						
10	1	22252-000260	RING, 26	8	8						
11	1	729402-23100	ROD ASSY, CONNECTING	4	4						
16	3	121550-23200	BOLT, CONNECTING ROD	8	8						
17	2	129150-23601	METAL ASSY,CRANK PIN	4	4						
19	1	129100-23910	METAL, PISTON PIN	4	4						1
20	1	129150-23611	METAL, CRANK PIN .25	4	4						2

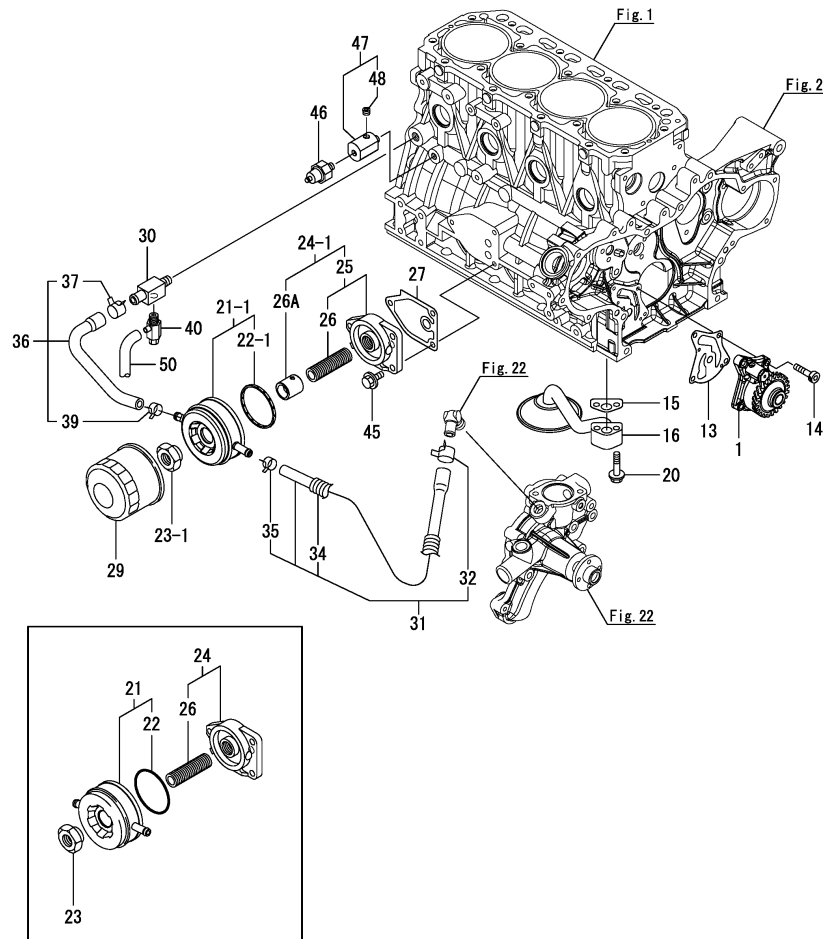
Remarks

- (1)Spare parts.
- (2)Under-sized(U.S.=0.25) parts.

Fig.19. LUB. OIL SYSTEM

(A)=4JH45  
(B)=4JH57  
(C)=

(D)=  
(E)=  
(F)=



No.	Lev.	Parts No.	Description	Q'ty						I	R
				(A)	(B)	(C)	(D)	(E)	(F)		
1	1	129C00-32000	PUMP ASSY, OIL	1	1						
13	1	129486-32020	GASKET, PUMP	1	1						
14	1	26450-060252	BOLT, M6X 25	4	4						
15	1	129150-35042	GASKET, INLET PIPE	1	1						
16	1	129670-35090	PIPE ASSY, OIL INLET	1	1						
20	1	26106-080352	BOLT, M8X 35 PLATED	2	2						
21	1	129508-33010	COOLER ASSY, OIL	1	1						
21-1	1	129508-33031	COOLER ASSY, OIL	1	1						F 3
		(A=*2016.09.) (B=E12108)									
22	2	129508-33050	O-RING	1	1						
22-1	2	129508-33060	GASKET, COOLER	1	1						S
		(A=*2016.09.) (B=E12108)									
23	1	129417-33111	NUT, OIL COOLER	1	1						
23-1	1	124085-35350	NUT, M20	1	1						F 3
		(A=*2016.09.) (B=E12108)									
24	1	129006-35100	BRACKET ASSY, FILTER	1	1						
24-1	1	129508-35100	BRACKET ASSY, LO FILT	1	1						F 3
		(A=*2016.09.) (B=E12108)									
25	2	129006-35100	BRACKET ASSY, FILTER	1	1						
26	3	129417-35150	STUD, M20X67	1	1						
26A	2	129508-35150	COLLAR, OIL-COOLER	1	1						W
		(A=*2016.09.) (B=E12108)									
27	1	129150-35111	GASKET, BRACKET	1	1						
29	1	129150-35153	FILTER ASSY, D80X80L	1	1						1
29-1	1	129150-35170	FILTER ASSY, D80X80L	1	1						R 2
30	1	129006-44480	JOINT, R02	1	1						
31	1	129657-49020	PIPE, COOLER OUTLET	1	1						
32	2	171008-03990	CLAMP, HOSE 18.5	1	1						
34	2	129657-49180	TUBE, CORRUGATED 19	1	1						
35	2	23080-015000	CLAMP, 15	1	1						
36	1	129508-49030	HOSE ASSY, COOLER IN	1	1						
37	2	171008-03990	CLAMP, HOSE 18.5	1	1						
39	2	23080-015000	CLAMP, 15	1	1						
40	1	119620-49290	COCK ASSY, 1/4	1	1						
45	1	26106-080202	BOLT, M8X 20 PLATED	3	3						
46	1	121252-39450	SWITCH, HYDRAULIC	1	1						
47	1	129670-39600	DAMPER ASSY, R1/8	1	1						
48	2	23875-010000	PLUG, R01	1	1						
50	1	23061-070300	PIPE, 7X 300	1	1						

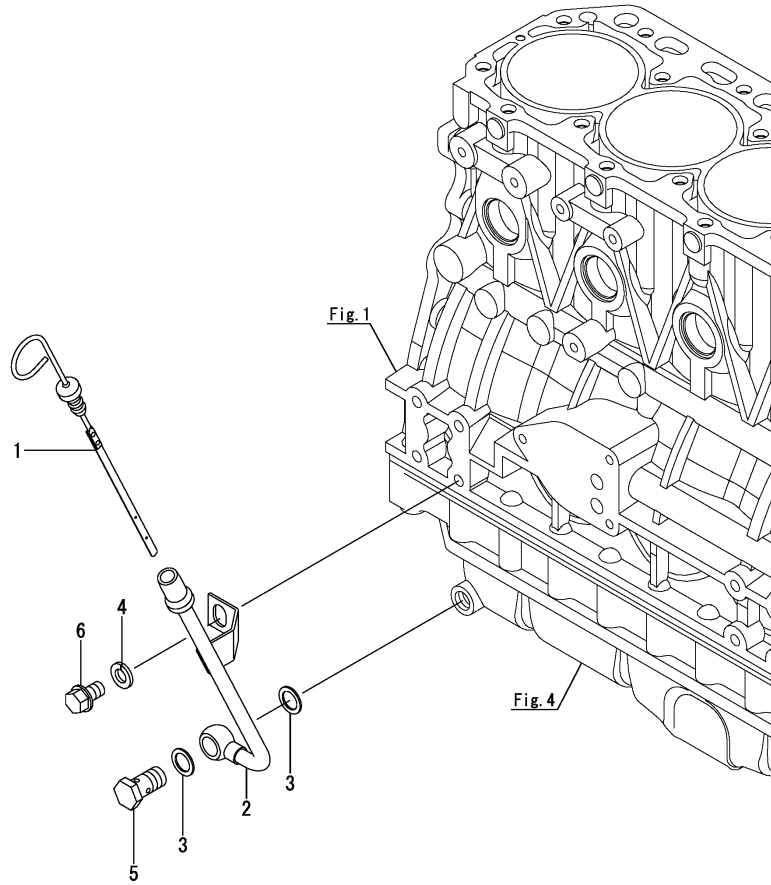
Remarks

- (1)Non-branded filter(without Yanmar logo).
- (2)Branded filter(with Yanmar logo).
- (3)No.21-1, 23-1 & 24-1 interchangeable by set.

Fig.20. DIPSTICK

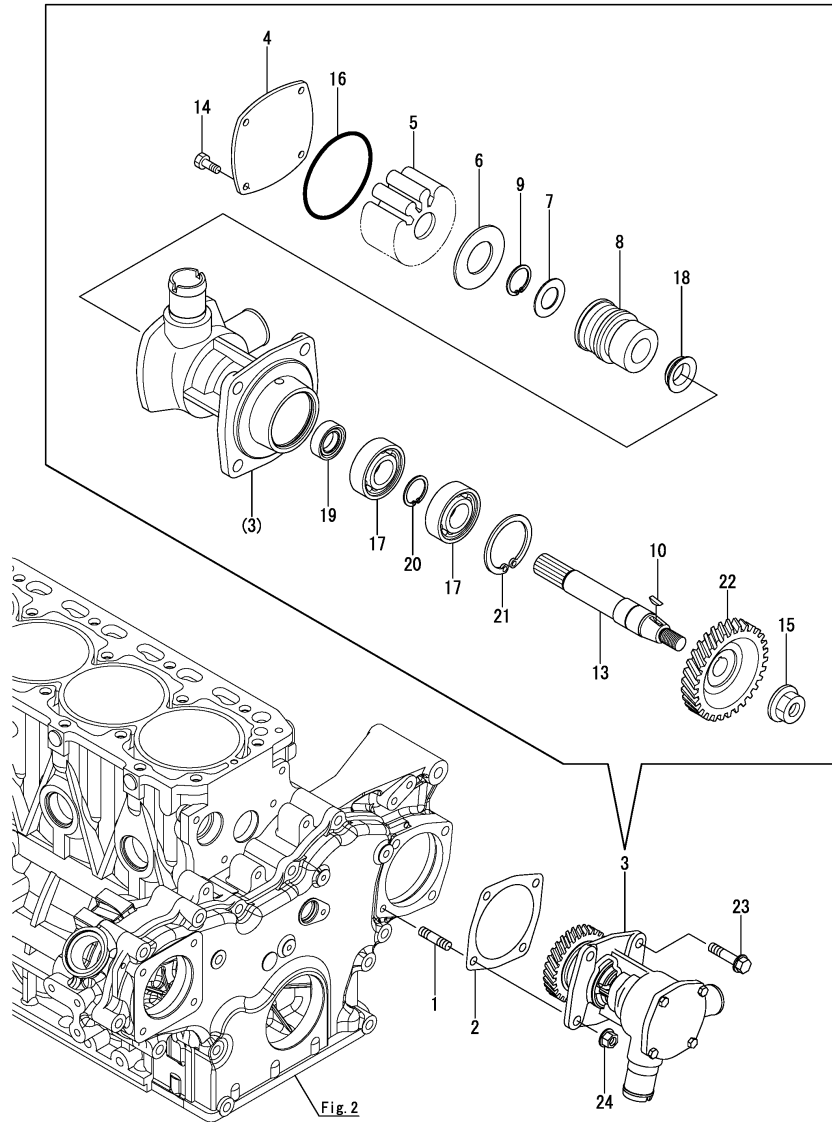
(A)=4JH45  
(B)=4JH57  
(C)=

(D)=  
(E)=  
(F)=



No.	Lev.	Parts No.	Description	Q'ty						I	R
				(A)	(B)	(C)	(D)	(E)	(F)		
1	1	129271-34850	DIPSTICK, OIL	1	1						
2	1	129271-34890	GUIDE ASSY, DIPSTICK	1	1						
3	1	22190-140002	WASHER, SEAL 14	2	2						
4	1	22217-100000	WASHER, SPRING 10	1	1						
5	1	23857-080000	BOLT, JOINT 8	1	1						
6	1	26106-100162	BOLT, M10X 16 PLATED	1	1						

Fig.21. COOLING PUMP(SEA WATER)



(A)=4JH45  
(B)=4JH57  
(C)=

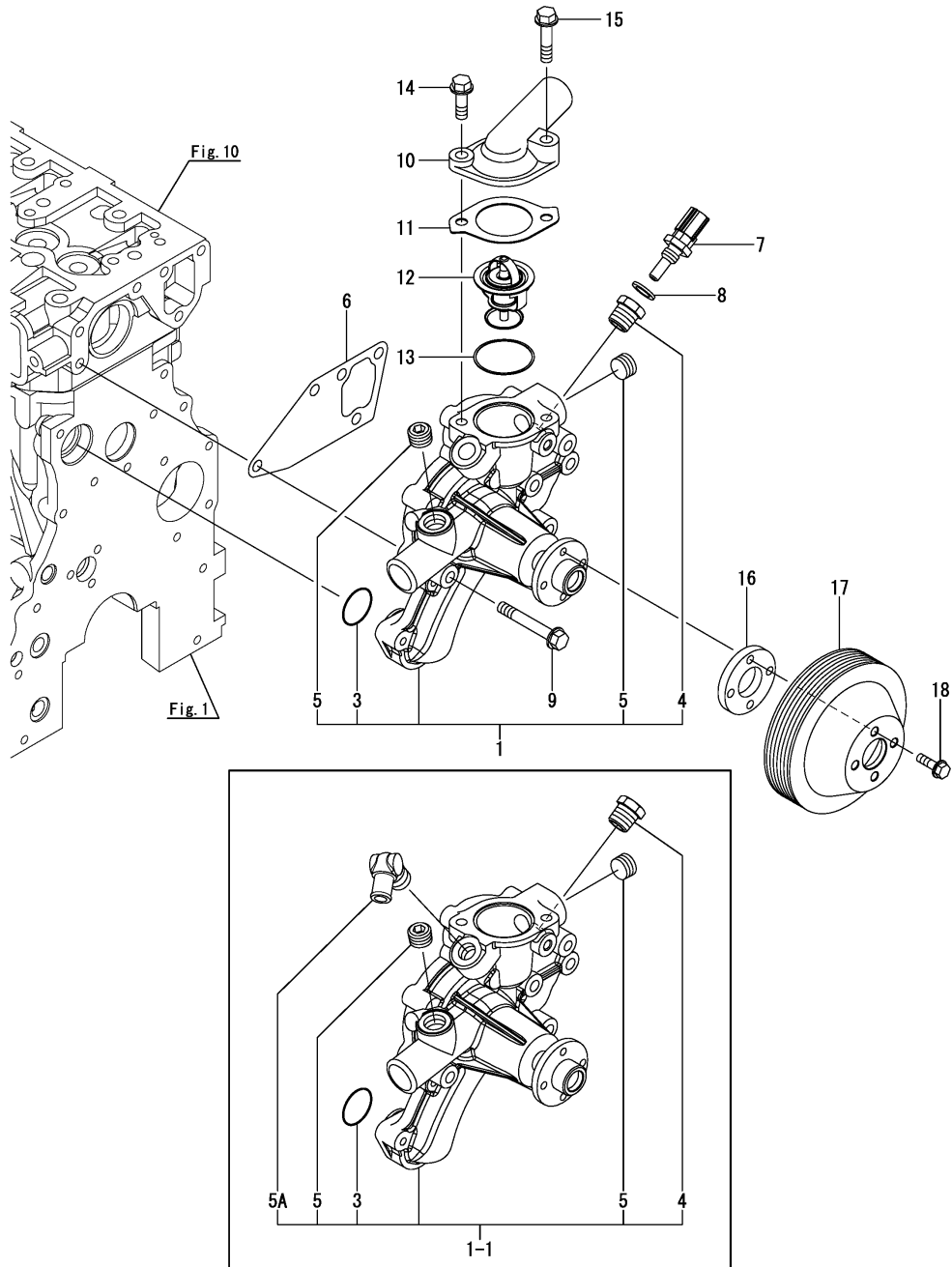
(D)=  
(E)=  
(F)=

No.	Lev.	Parts No.	Description	Q'ty						I	R
				(A)	(B)	(C)	(D)	(E)	(F)		
1	1	121450-01560	BOLT, PUMP M8X22	1	1						
2	1	129150-01881	GASKET, PUMP COVER	1	1						
3	1	129271-42502	PUMP ASSY, WATER	1	1						
4	2	129670-42520	COVER, END	1	1						
5	2	129670-42531	IMPELLER, PUMP	1	1						
6	2	129670-42540	PLATE, WEAR	1	1						
7	2	129670-42550	WASHER	1	1						
8	2	129670-42560	SEAL, MECHANICAL	1	1						
9	2	129670-42570	RING, RETAINING	1	1						
10	2	129670-42580	KEY	1	1						
13	2	X0146531	SHAFT	1	1						
14	2	129271-42510	SCREW	4	4						
15	2	X0505526	NUT, LOCK	1	1						
16	2	119773-42570	O-RING	1	1						
17	2	X0508129	BEARING	2	2						
18	2	120650-42420	V-RING	1	1						
19	2	X0529105	SEAL	1	1						
20	2	120650-42380	RING, RETAINING	1	1						
21	2	120650-42350	RING, RETAINING	1	1						
22	2	129271-42700	GEAR, PUMP	1	1						
22A	2	129670-42590	WEAR KIT	1	1						W 1
		(A=E12138) (B=E12113)									
22H	2	129670-42600	SHAFT KIT	1	1						W 2
		(A=E12138) (B=E12113)									
22Q	2	129670-42610	IMPELLER KIT	1	1						W 3
		(A=E12138) (B=E12113)									
23	1	26106-080352	BOLT, M8X 35 PLATED	3	3						
24	1	26366-080002	NUT, M8	1	1						

Remarks

- (1)Not illustrated(Include No.4, 6, 7, 8, 9 & 16).
- (2)Not illustrated(Include No.10, 13, 15, 17, 18, 19, 20 & 21).
- (3)Not illustrated(Include No.5, 14 & 16).

Fig.22. COOLING PUMP(FRESH WATER)



(A)=4JH45  
(B)=4JH57  
(C)=

(D)=  
(E)=  
(F)=

No.	Lev.	Parts No.	Description	Q'ty						I	R
				(A)	(B)	(C)	(D)	(E)	(F)		
1	1	129677-42000	PUMP ASSY, WATER	1	1						
1-1	1	129675-42000	PUMP ASSY, CW	1	1						R
		(A=E13462) (B=E13462)									
3	2	129054-42320	O-RING	1	1						
4	2	129263-49350	JOINT, SENSOR	1	1						
5	2	129916-49740	PLUG, R3/8	2	2						
5A	2	129466-49300	ELBOW, PT3/8	1	1						W
		(A=E13462) (B=E13462)									
6	1	129486-42050	GASKET, WATER PUMP	1	1						
7	1	129927-44900	SENSOR, TEMPERATURE	1	1						
8	1	22190-120002	WASHER, SEAL 12	1	1						
9	1	26106-080552	BOLT, M8X 55 PLATED	4	4						
10	1	129470-49540	COVER, THERMOSTAT	1	1						
11	1	129795-49551	GASKET, COVER	1	1						
12	1	129470-49801	THERMOSTAT, 76.5C	1	1						
13	1	129150-49811	GASKET, THERMOSTAT	1	1						
14	1	26106-080252	BOLT, M8X 25 PLATED	1	1						
15	1	26106-080352	BOLT, M8X 35 PLATED	1	1						
16	1	129677-42310	SPACER, PULLEY	1	1						
17	1	129271-42350	PULLEY, PUMP 6PK	1	1						
17-1	1	129271-42351	PULLEY, PUMP 6PK	1	1						N
		(A=E10815) (B=E10638)									
18	1	26106-060202	BOLT, M6X 20 PLATED	4	4						

Fig.23. V-BELT

(A)=4JH45  
(B)=4JH57  
(C)=

(D)=  
(E)=  
(F)=

No.	Lev.	Parts No.	Description	Q'ty						I	R
				(A)	(B)	(C)	(D)	(E)	(F)		
1	1	129675-21800	PULLEY, IDLE	1	1						
2	1	129675-21810	SUPPORT, IDLE PULLEY	1	1						
3	1	129675-42280	BELT, V-RIBBED	1	1						
4	1	26106-080252	BOLT, M8X 25 PLATED	1	1						
5	1	26106-080402	BOLT, M8X 40 PLATED	1	1						
6	1	26106-080902	BOLT, M8X 90 PLATED	1	1						
7	1	26106-100452	BOLT, M10X 45 PLATED	1	1						

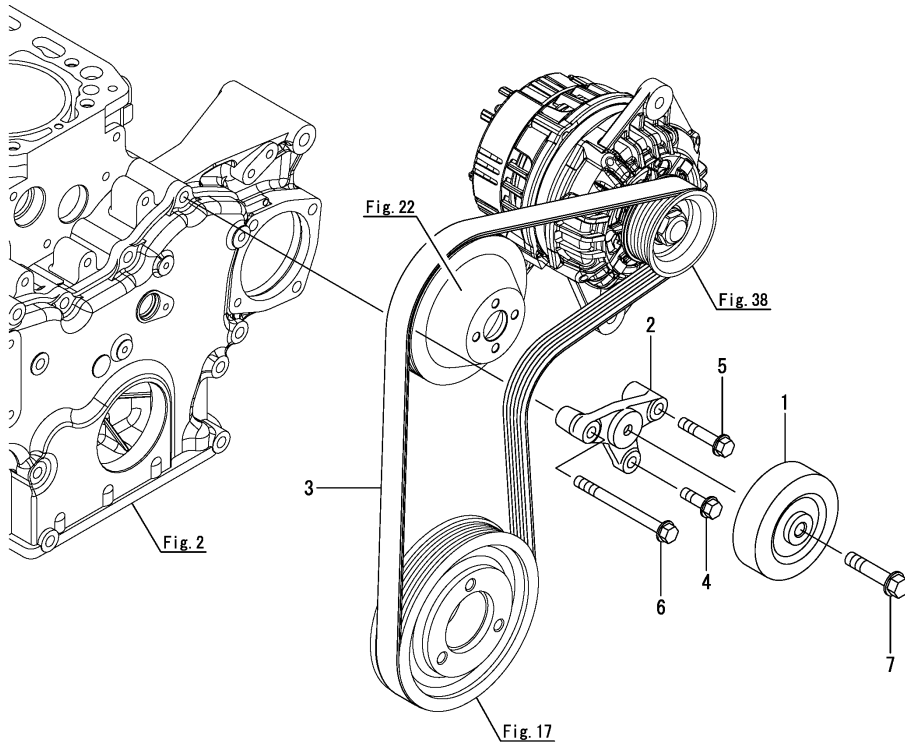
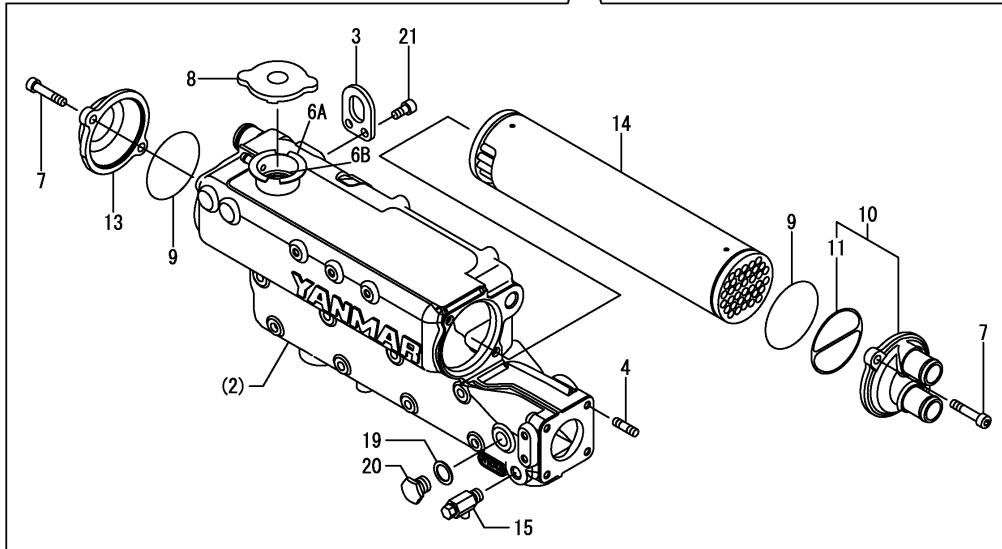
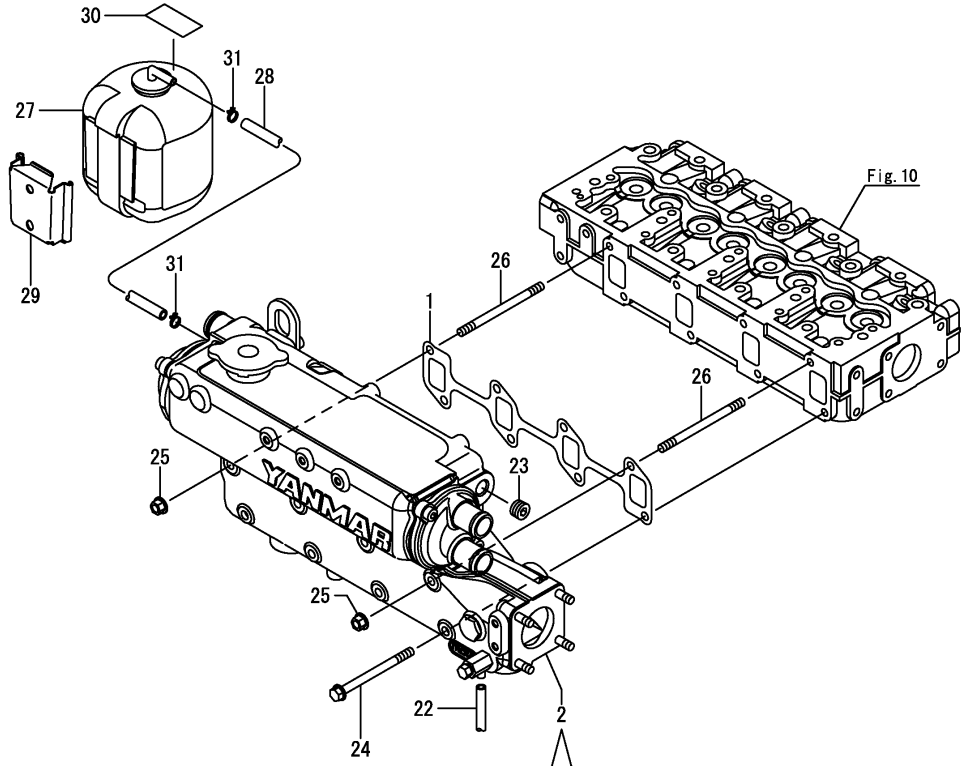


Fig.24. COOLER(FRESH WATER)



(A)=4JH45  
(B)=4JH57  
(C)=

(D)=  
(E)=  
(F)=

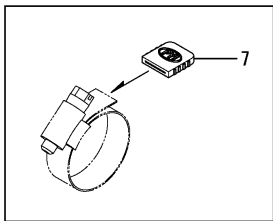
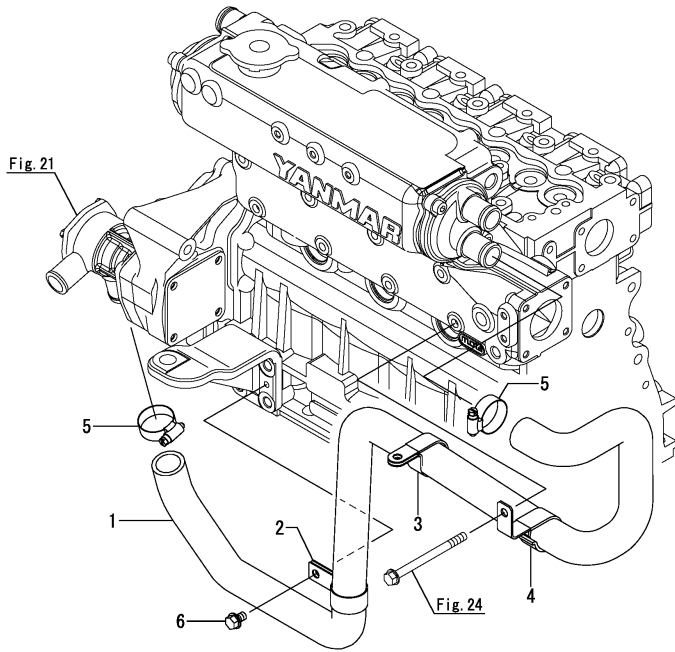
No.	Lev.	Parts No.	Description	Q'ty						I	R
				(A)	(B)	(C)	(D)	(E)	(F)		
1	1	129550-13110	GASKET, MANIFOLD	1	1						
2	1	129670-44911	COOLER ASSY, WATER	1	1						
3	2	129670-07230	LIFTER	1	1						
4	2	129670-13600	STUD, M8X20	4	4						
6A	2	129673-44110	NECK, FILLER	1	1						
6B	2	129673-44150	TUBE, D28.5X1.5 LG6	1	1						
7	2	129673-44090	BOLT, M8X40	4	4						
8	2	129673-44131	CAP, FILLER	1	1						
9	2	129670-44150	O-RING, 74.5X3	2	2						
10	2	129670-44430	COVER CMP,COOLER A	1	1						
11	3	120322-33050	PACKING, RUBBER	1	1						
13	2	129670-44450	COVER, COOLER B	1	1						
14	2	129670-44460	CORE ASSY, COOLER	1	1						
15	2	119620-49290	COCK ASSY, 1/4	1	1						
19	2	23414-170000	GASKET, 17X1.0	1	1						
20	2	23894-030002	PLUG, G3/8	1	1						
21	2	26450-080162	BOLT, M8X 16	2	2						
22	1	23061-070300	PIPE, 7X 300	1	1						
23	1	23871-030000	PLUG, R03	1	1						
24	1	26106-081002	BOLT, M8X100 PLATED	6	6						
25	1	26366-080002	NUT, M8	2	2						
26	1	129693-44300	BOLT, COOLER	2	2						
27	1	128397-44500	TANK ASSY, SUB	1	1						
28	1	129270-44501	PIPE, OVERFLOW	1	1						
29	1	128397-44510	BRACKET, SUB TANK	1	1						
30	1	129670-44570	LABEL, SUB TANK	1	1						
31	1	23010-013000	CLAMP 13	2	2						

Fig.25. COOLING PIPE(SEA WATER)(FOR KM35A2, KM35P, SD60, CLUTCHLESS)

(A)=4JH45  
(B)=4JH57  
(C)=

(D)=  
(E)=  
(F)=

No.	Lev.	Parts No.	Description	Q'ty						I	R
				(A)	(B)	(C)	(D)	(E)	(F)		
1	1	129670-49020	PIPE, SEA WATER A	1	1						
2	1	129271-49110	RETAINER, PIPE	1	1						
3	1	129675-49120	RETAINER, HOSE	1	1						
4	1	129670-49360	RETAINER, PIPE	1	1						
5	1	129670-49500	CLIP, HOSE 38	2	2						
6	1	26106-080122	BOLT, M8X 12 PLATED	1	1						
7	1	129677-49950	PROTECTOR,HOSE CLAMP	2	2					W	1
		(A=E12082) (B=E12114)									



Remarks

(1)Attached to the ends of No.5 hose clamps.

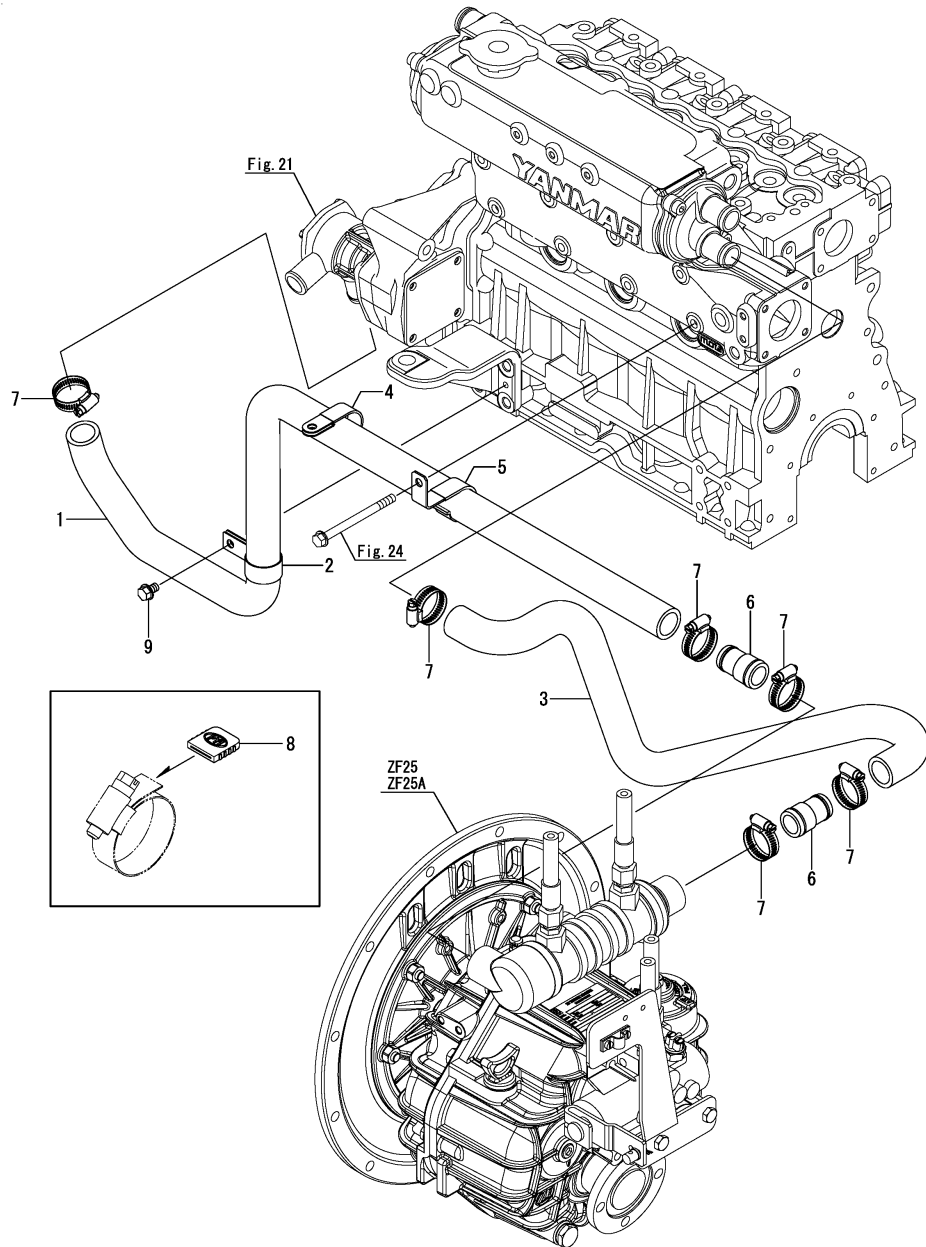


Fig.57. (25A)COOLING PIPE(SEA WATER)(FOR ZF25, ZF25A)

(A)=4JH45  
(B)=4JH57  
(C)=

(D)=  
(E)=  
(F)=

No.	Lev.	Parts No.	Description	Q'ty						I	R
				(A)	(B)	(C)	(D)	(E)	(F)		
1	1	129675-49100	HOSE, SW COOLER ZF25	1	1						
2	1	129271-49110	RETAINER, PIPE	1	1						
3	1	129675-49110	HOSE, SW COOLER ZF25	1	1						
4	1	129675-49120	RETAINER, HOSE	1	1						
5	1	129670-49360	RETAINER, PIPE	1	1						
6	1	129673-49410	JOINT, SEA WATER	2	2						
7	1	129670-49500	CLIP, HOSE 38	6	6						
8	1	129677-49950	PROTECTOR,HOSE CLAMP	6	6						1
9	1	26106-080122	BOLT, M8X 12 PLATED	1	1						



Remarks

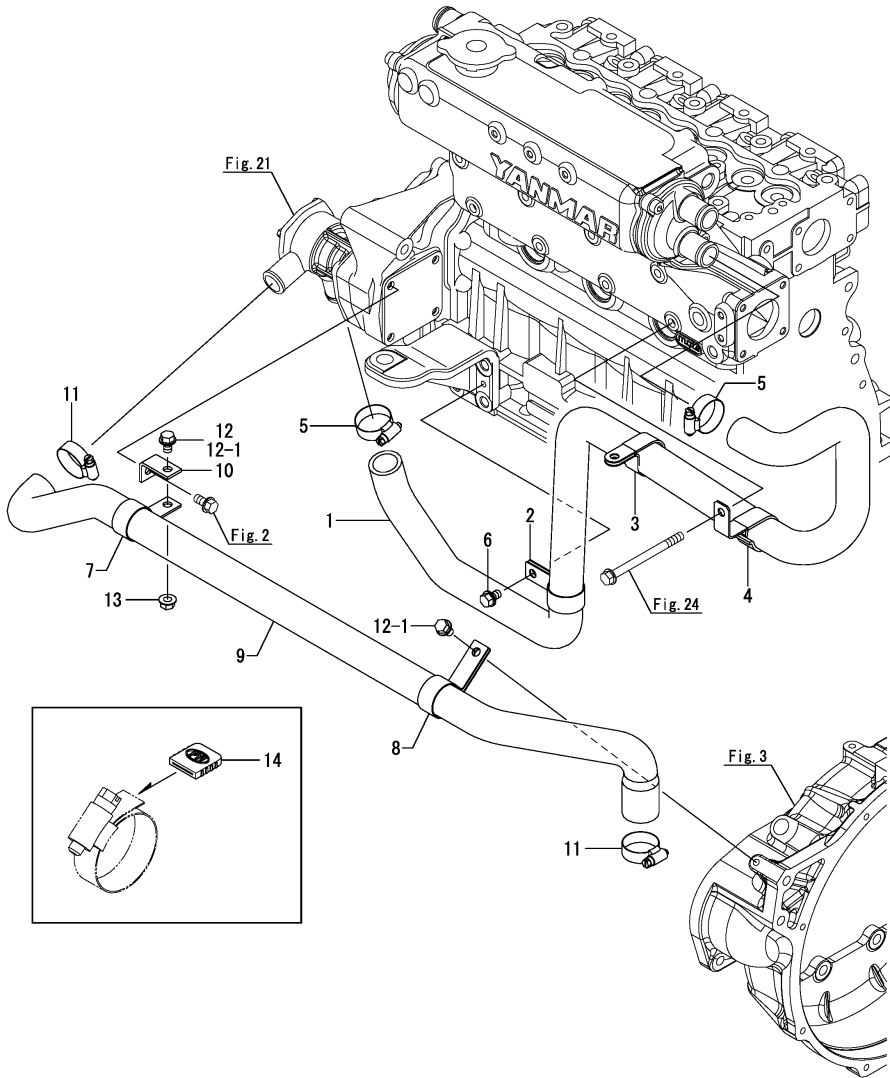
(1)Attached to the ends of No.7 hose clamps.

Fig.26. COOLING PIPE(SEA WATER)(FOR ZF30M)

(A)=4JH45  
(B)=4JH57  
(C)=

(D)=  
(E)=  
(F)=

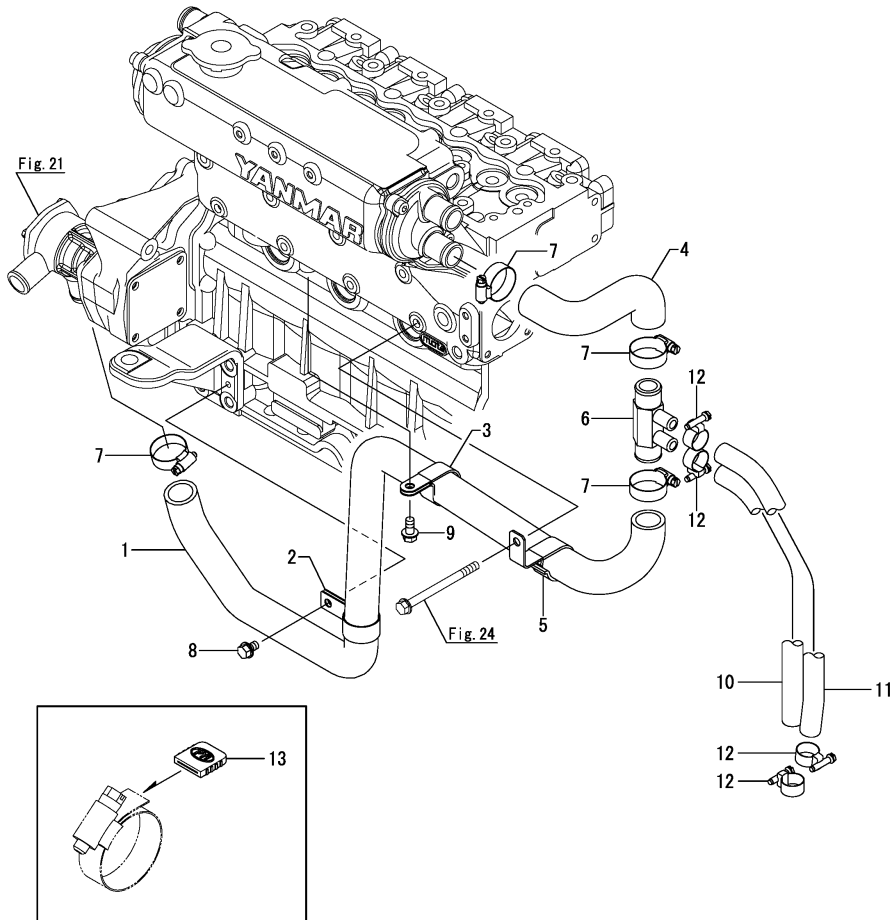
No.	Lev.	Parts No.	Description	Q'ty						I	R
				(A)	(B)	(C)	(D)	(E)	(F)		
1	1	129670-49020	PIPE, SEA WATER A	1	1						
2	1	129271-49110	RETAINER, PIPE	1	1						
3	1	129675-49120	RETAINER, HOSE	1	1						
4	1	129670-49360	RETAINER, PIPE	1	1						
5	1	129670-49500	CLIP, HOSE 38	2	2						
6	1	26106-080122	BOLT, M8X 12 PLATED	1	1						
7	1	129271-49110	RETAINER, PIPE	1	1						
8	1	129671-49110	RETAINER	1	1						
9	1	129670-49250	PIPE, SEA WATER	1	1						
10	1	129670-49270	BRACKET	1	1						
11	1	129670-49500	CLIP, HOSE 38	2	2						
12	1	26106-080122	BOLT, M8X 12 PLATED	1	1						
12-1	1	26106-080122	BOLT, M8X 12 PLATED	2	2						K
		(A=E10815) (B=E10638)									
13	1	26366-080002	NUT, M8	1	1						
14	1	129677-49950	PROTECTOR,HOSE CLAMP	4	4						W 1
		(A=E12082) (B=E12114)									



Remarks

(1)Attached to the ends of No.5 & 11 hose clamps.

Fig.27. COOLING PIPE(SEA WATER)(FOR KM4A1)



(A)=4JH45  
(B)=4JH57  
(C)=

(D)=  
(E)=  
(F)=

No.	Lev.	Parts No.	Description	Q'ty						I	R
				(A)	(B)	(C)	(D)	(E)	(F)		
1	1	129670-49090	PIPE, SEA WATER A	1	1						
2	1	129271-49110	RETAINER, PIPE	1	1						
3	1	129675-49120	RETAINER, HOSE	1	1						
4	1	129670-49220	PIPE, SEA WATER D	1	1						
5	1	129670-49360	RETAINER, PIPE	1	1						
6	1	129670-49410	JOINT, SEA WATER A	1	1						
7	1	129670-49500	CLIP, HOSE 38	4	4						
8	1	26106-080122	BOLT, M8X 12 PLATED	1	1						
9	1	26106-080162	BOLT, M8X 16 PLATED	1	1						
10	1	129670-49230	PIPE, SEA WATER E	1	1						
11	1	129670-49240	PIPE, SEA WATER F	1	1						
12	1	23000-022000	CLAMP, 22	4	4						
13	1	129677-49950	PROTECTOR,HOSE CLAMP	8	8						W 1

(A)=E12082) (B)=E12114)

Remarks

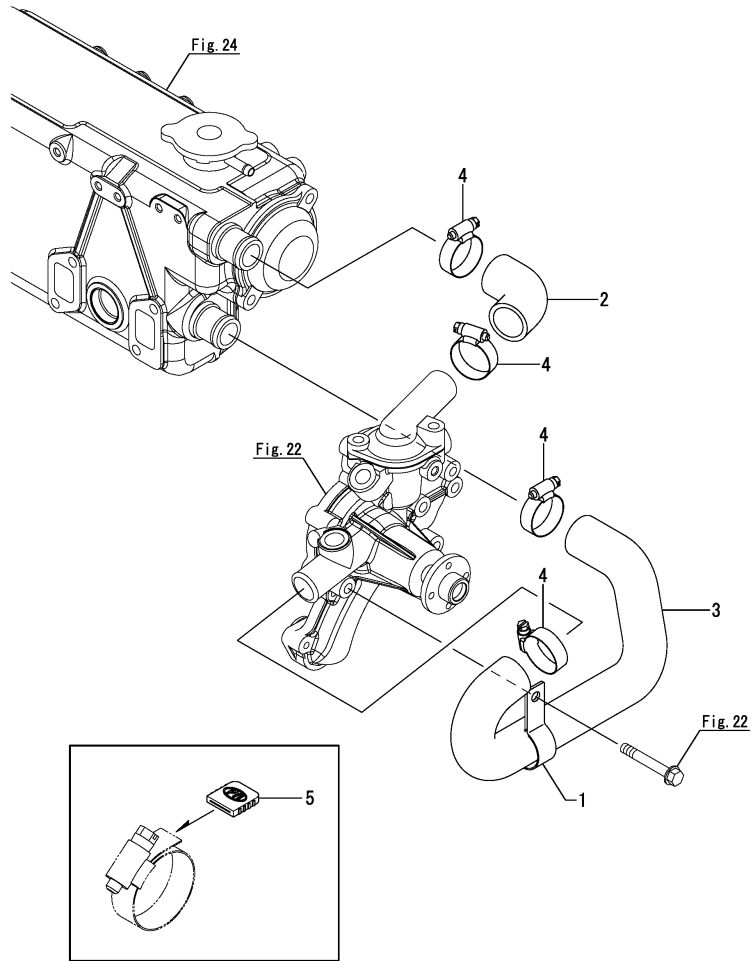
(1)Attached to the ends of No.7 & 12 hose clamps.

Fig.28. COOLING PIPE(FRESH WATER)

(A)=4JH45  
(B)=4JH57  
(C)=

(D)=  
(E)=  
(F)=

No.	Lev.	Parts No.	Description	Q'ty						I	R
				(A)	(B)	(C)	(D)	(E)	(F)		
1	1	129271-49110	RETAINER, PIPE	1	1						
2	1	129671-49210	PIPE, FRESH WATER C	1	1						
3	1	129671-49220	PIPE, FRESH WATER B	1	1						
4	1	129670-49500	CLIP, HOSE 38	4	4						
5	1	129677-49950	PROTECTOR,HOSE CLAMP	4	4						W 1
		(A=E12082)	(B=E12114)								



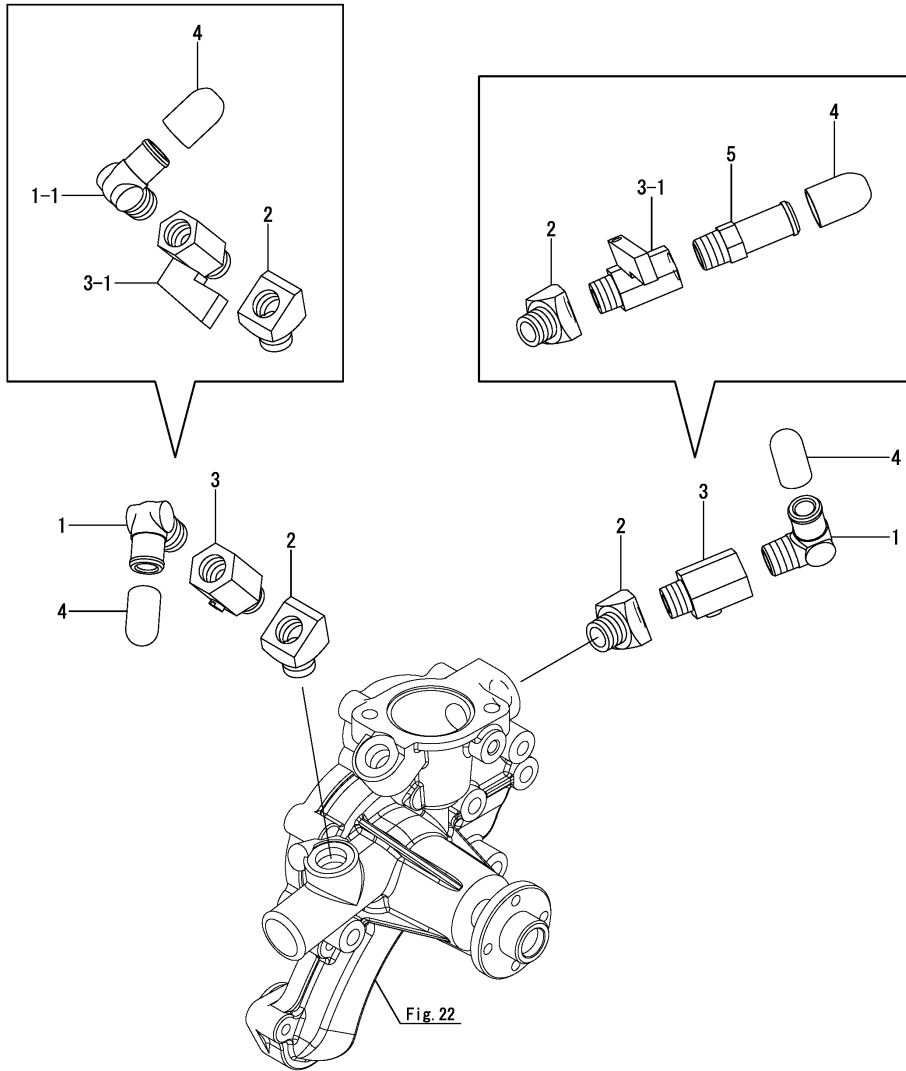
Remarks

(1)Attached to the ends of No.4 hose clamps.

Fig.29. HOT WATER CONNECTION(OPTIONAL)

(A)=4JH45  
(B)=4JH57  
(C)=

(D)=  
(E)=  
(F)=



No.	Lev.	Parts No.	Description	Q'ty						I	R
				(A)	(B)	(C)	(D)	(E)	(F)		
1	1	129051-49310	ELBOW, PT3/8	2	2						
1-1	1	129051-49310	ELBOW, PT3/8	1	1						K
				(A=E13106)	(B=E13122)						
2	1	129677-49320	ELBOW, 3/8-30	2	2						
3	1	129670-49390	COCK ASSY,R1/4XRP3/8	2	2						
3-1	1	129677-49390	COCK ASSY,,R3/8XRP3/8	2	2						R
				(A=E13106)	(B=E13122)						
4	1	128990-49400	CAP, WATER	2	2						
5	1	128990-49320	JOINT, 3/8	1	1						W
				(A=E13106)	(B=E13122)						

Fig.30. FUEL SUPPLY PUMP

(A)=4JH45  
(B)=4JH57  
(C)=

(D)=  
(E)=  
(F)=

No.	Lev.	Parts No.	Description	Q'ty						I	R
				(A)	(B)	(C)	(D)	(E)	(F)		
1	1	129A00-51000	PUMP ASSY, FUEL	1	1						
1-1	1	129C28-51000	PUMP ASSY, FUEL	1	1						N
		(A=E15776) (B=E15776)									
2	2	129A00-51100	VALVE ASSY	1	1						
3	3	129A00-51110	RING, SEAL	1	1						
4	3	129A00-51120	O-RING, MPROP	1	1						
5	2	129A00-51130	BOLT, MPROP	2	2						
6	2	129A00-51200	SENSOR, TEMPERATURE	1	1						
7	2	129A00-51900	O-RING, FUEL PUMP	1	1						
8	1	26106-080302	BOLT, M8X 30 PLATED	3	3						

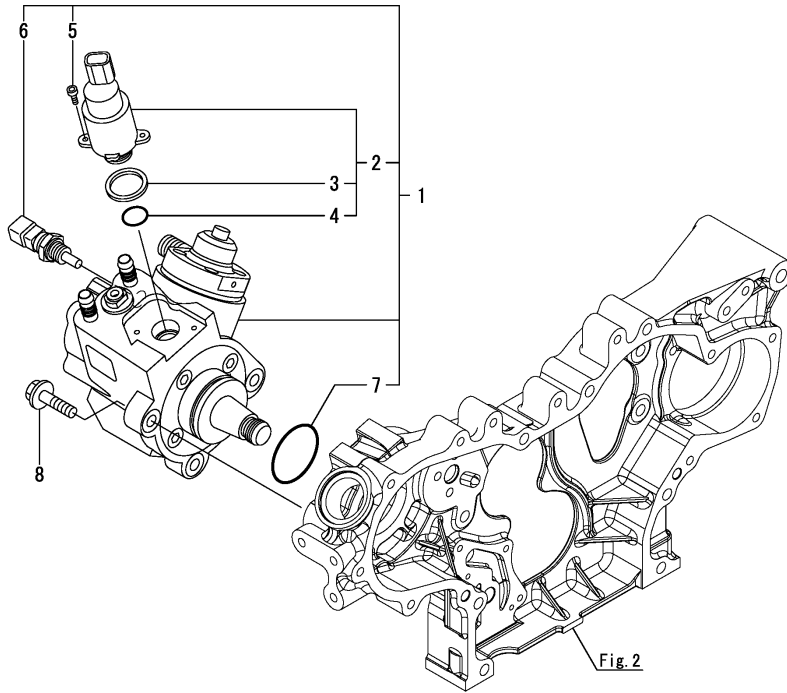
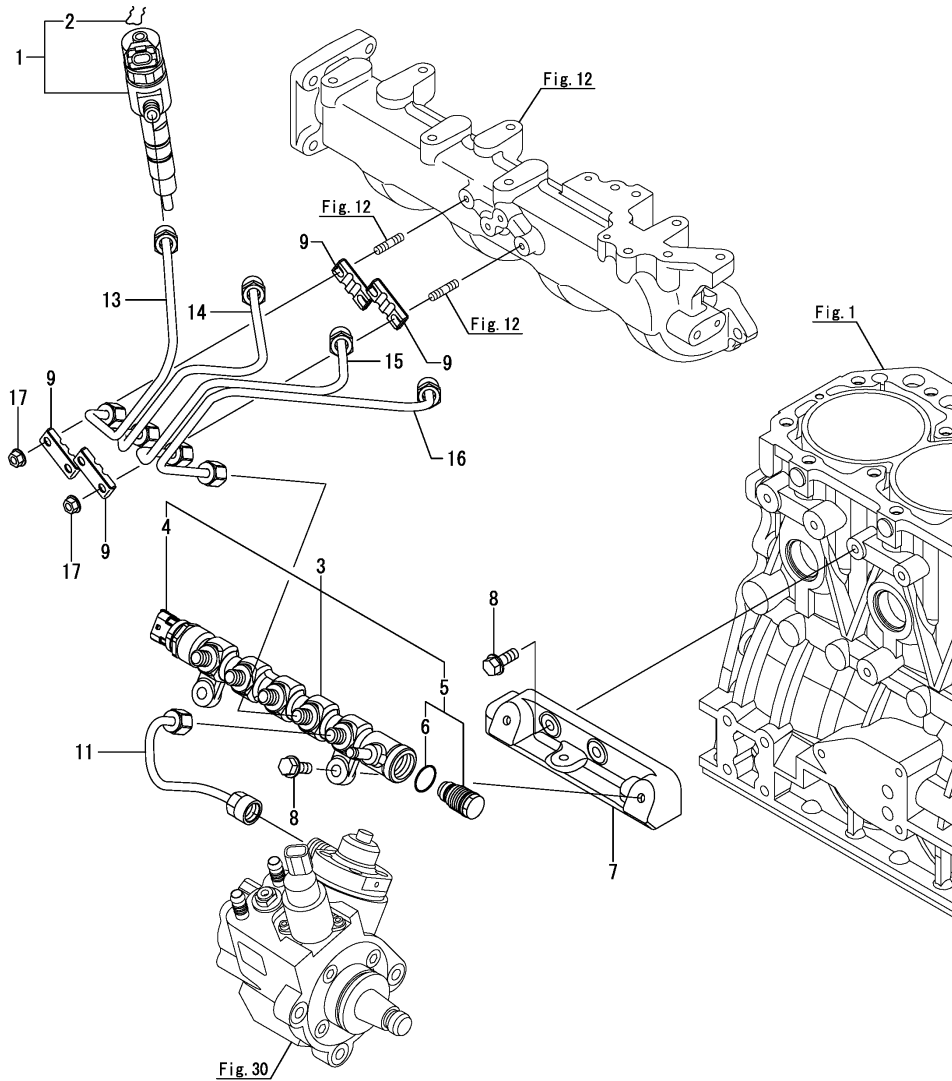


Fig.31. FUEL INJECTION VALVE & FUEL INJECTION PIPE

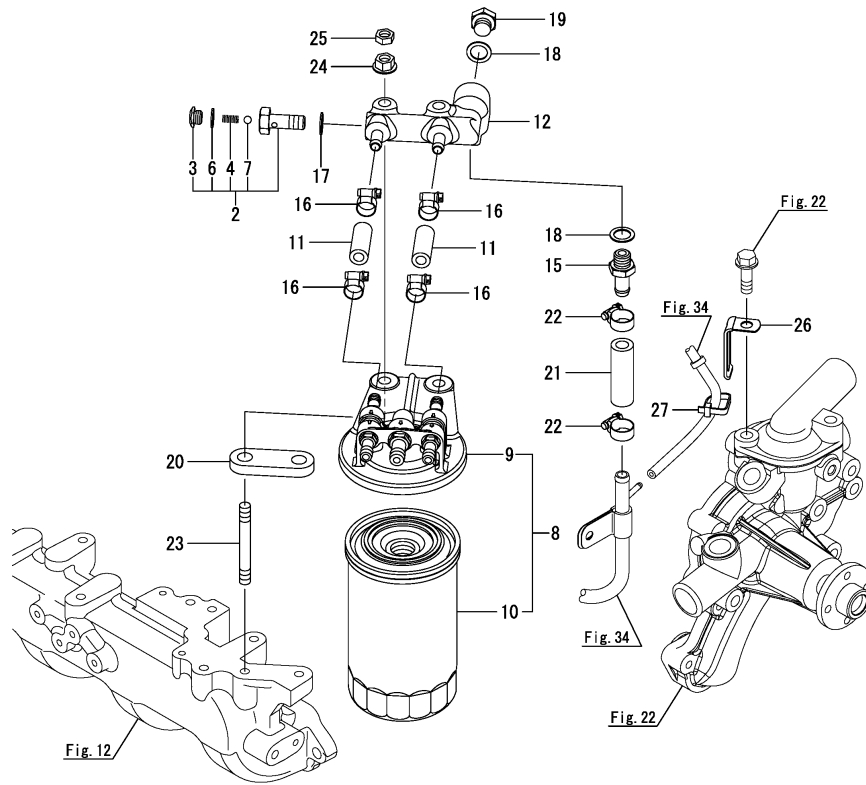


No.	Lev.	Parts No.	Description	Q'ty						I	R
				(A)	(B)	(C)	(D)	(E)	(F)		
1	1	129675-53100	INJECTOR, CR	4	4						
2	2	129A00-53200	RING, RETAINING	4	4						
3	1	129C00-57000	COMMON RAIL ASSY	1	1						
4	2	129A00-57100	SENSOR, PRESSURE	1	1						
5	2	129A00-57200	VALVE ASSY, PLV4	1	1						
6	3	129A00-57210	O-RING, PLV4	1	1						
7	1	129677-57201	BRACKET, COMMON RAIL	1	1						
8	1	26106-080202	BOLT, M8X 20 PLATED	4	4						
9	1	122780-59100	RETAINER, PIPE	4	4						
11	1	129677-59700	PIPE ASSY, RAIL IN	1	1						
13	1	129677-59810	PIPE, INJECTION NO.1	1	1						
14	1	129677-59820	PIPE, INJECTION NO.2	1	1						
15	1	129677-59830	PIPE, INJECTION NO.3	1	1						
16	1	129677-59840	PIPE, INJECTION NO.4	1	1						
17	1	26366-060002	NUT, M6	4	4						

Fig.32. FUEL FILTER

(A)=4JH45  
(B)=4JH57  
(C)=

(D)=  
(E)=  
(F)=

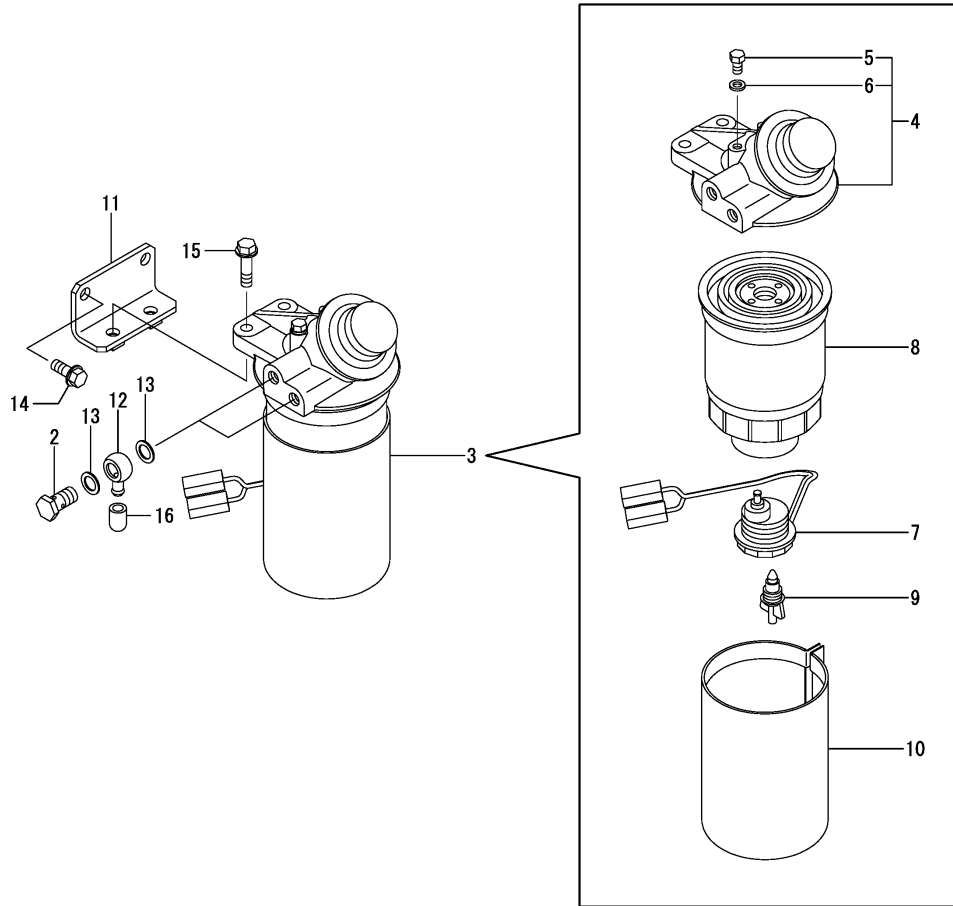


No.	Lev.	Parts No.	Description	Q'ty						I	R
				(A)	(B)	(C)	(D)	(E)	(F)		
2	1	119187-39700	VALVE ASSY, CHECK	1	1						
3	2	127610-39350	RETAINER, SPRING	1	1						
4	2	127687-39360	SPRING, NOZZLE	1	1						
6	2	23414-100014	GASKET, 10X1.0	1	1						
7	2	24190-070001	BALL, STEEL 7/32	1	1						
8	1	129677-55600	FILTER ASSY, FUEL	1	1						
9	2	129677-55610	BRACKET ASSY,FO FILT	1	1						
10	2	129A00-55800	FILTER, FUEL	1	1						1
10-1	2	129A00-55810	FILTER,FO	1	1						R 2
11	1	129677-59240	HOSE, FUEL RETURN	2	2						
12	1	129677-59300	HOUSING ASSY, VALVE	1	1						
15	1	129677-59350	JOINT, HOSE 10-M12	1	1						
16	1	23000-013000	CLAMP, 13	4	4						
17	1	23414-100000	GASKET, 10X1.0	1	1						
18	1	23414-120000	GASKET, 12X1.0	2	2						
18-1	1	22190-120002	WASHER, SEAL 12	2	2						N
		(A=*2017.11.) (B=*2017.11.)									
19	1	23887-120002	PLUG, 12	1	1						
20	1	129670-55700	RUBBER	1	1						
21	1	129677-59220	HOSE, FUEL RETURN	1	1						
22	1	23000-016000	CLAMP, 16	2	2						
23	1	26216-080602	STUD, M8X 60	2	2						
24	1	26366-080002	NUT, M8	2	2						
25	1	26756-080002	NUT, LOCK M8	2	2						
26	1	194440-51620	CLAMP, B	1	1						Z
		(A=*2014.12.) (B=*2014.12.)									
27	1	29621-200001	BAND, TR200	1	1						Z
		(A=*2014.12.) (B=*2014.12.)									

Remarks  
(1)Non-branded filter(without Yanmar logo).  
(2)Branded filter(with Yanmar logo).



Fig.33. FUEL PRE-FILTER(HULL SIDE)



(A)=4JH45  
(B)=4JH57  
(C)=

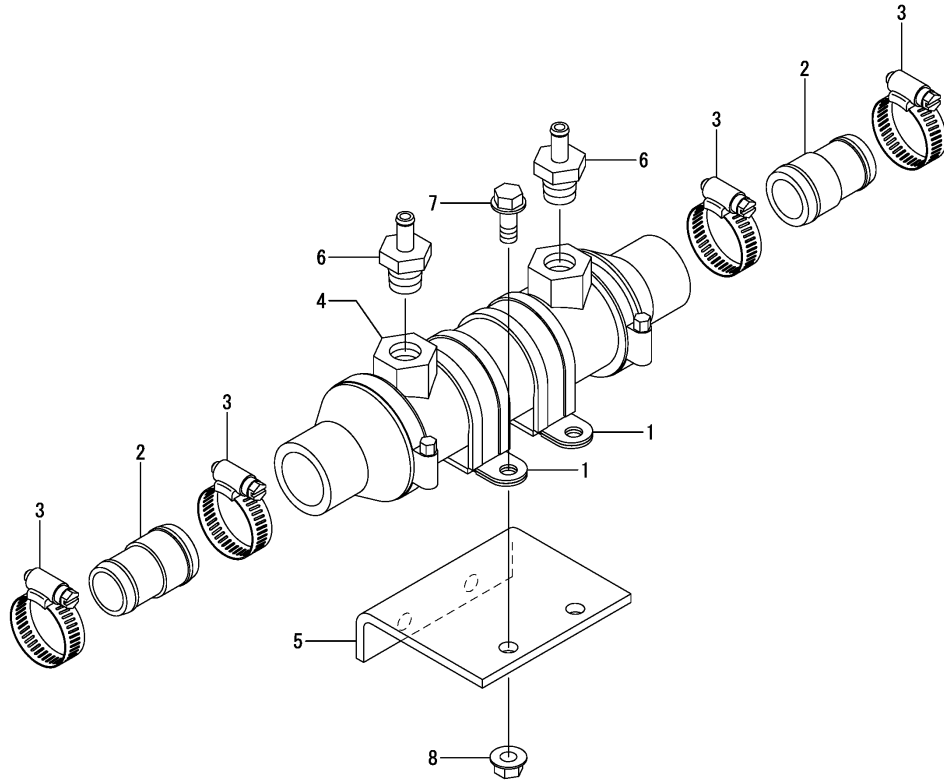
(D)=  
(E)=  
(F)=

No.	Lev.	Parts No.	Description	Q'ty						I	R
				(A)	(B)	(C)	(D)	(E)	(F)		
2	1	194256-04820	BOLT, JOINT M6	2	2						
3	1	119172-55800	FILTER ASSY, FUEL	1	1						
3-1	1	119172-55801	F.O. FILTER ASSY	1	1						N
		(A=E11097) (B=E11114)									
4	2	121857-55630	BODY ASSY, STRAINER	1	1						
5	3	121857-55750	PLUG	1	1						
6	3	121857-55760	WASHER	1	1						
7	2	121857-55730	SENSOR ASSY	1	1						
8	2	121857-55710	FILTER, FUEL	1	1						
9	2	121857-55740	PLUG	1	1						
10	2	119172-55810	CASE KIT, FILTER	1	1						
10-1	2	119172-55811	CASE KIT, FO FILETR	1	1						N
		(A=E11097) (B=E11114)									
11	1	129677-55850	BRACKET, FILTER	1	1						
12	1	101304-59020	JOINT, PIPE 12	2	2						
13	1	22190-120002	WASHER, SEAL 12	4	4						
14	1	26106-080202	BOLT, M8X 20 PLATED	2	2						
15	1	26106-080302	BOLT, M8X 30 PLATED	2	2						
16	1	128990-59900	CAP, FUEL IN/OUT	2	2						W
		(A=E11097) (B=E11114)									

Fig.58. (33A)FUEL COOLER(HULL SIDE)(OPTIONAL)

(A)=4JH45  
(B)=4JH57  
(C)=

(D)=  
(E)=  
(F)=

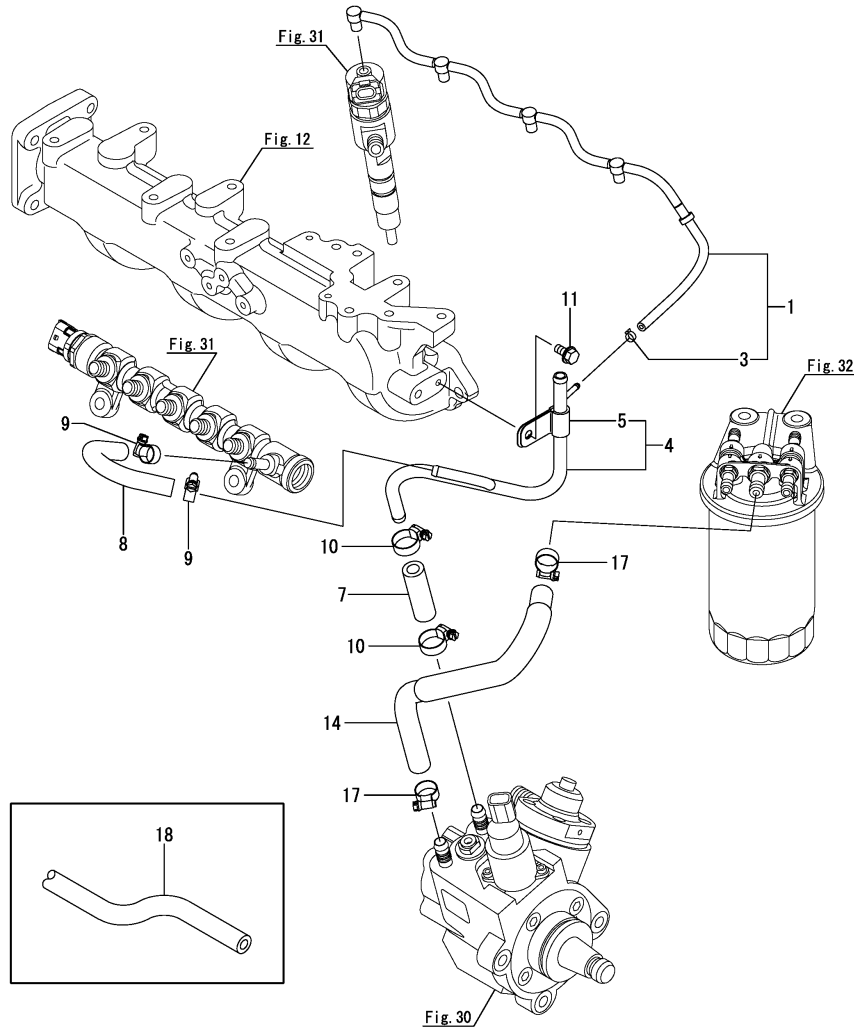


No.	Lev.	Parts No.	Description	Q'ty						I	R
				(A)	(B)	(C)	(D)	(E)	(F)		
1	1	129677-33930	CLAMP, LO COOLER	2	2						
2	1	129673-49410	JOINT, SEA WATER	2	2						
3	1	129670-49500	CLIP, HOSE 38	4	4						
4	1	129677-55750	COOLER ASSY, FO	1	1						
5	1	129677-55760	BRACKET, FO COOLER	1	1						
6	1	129677-59950	JOINT, FUEL HOSE	2	2						
7	1	26106-080202	BOLT, M8X 20 PLATED	2	2						
8	1	26366-080002	NUT, M8	2	2						

Fig.34. FUEL PIPE

(A)=4JH45  
(B)=4JH57  
(C)=

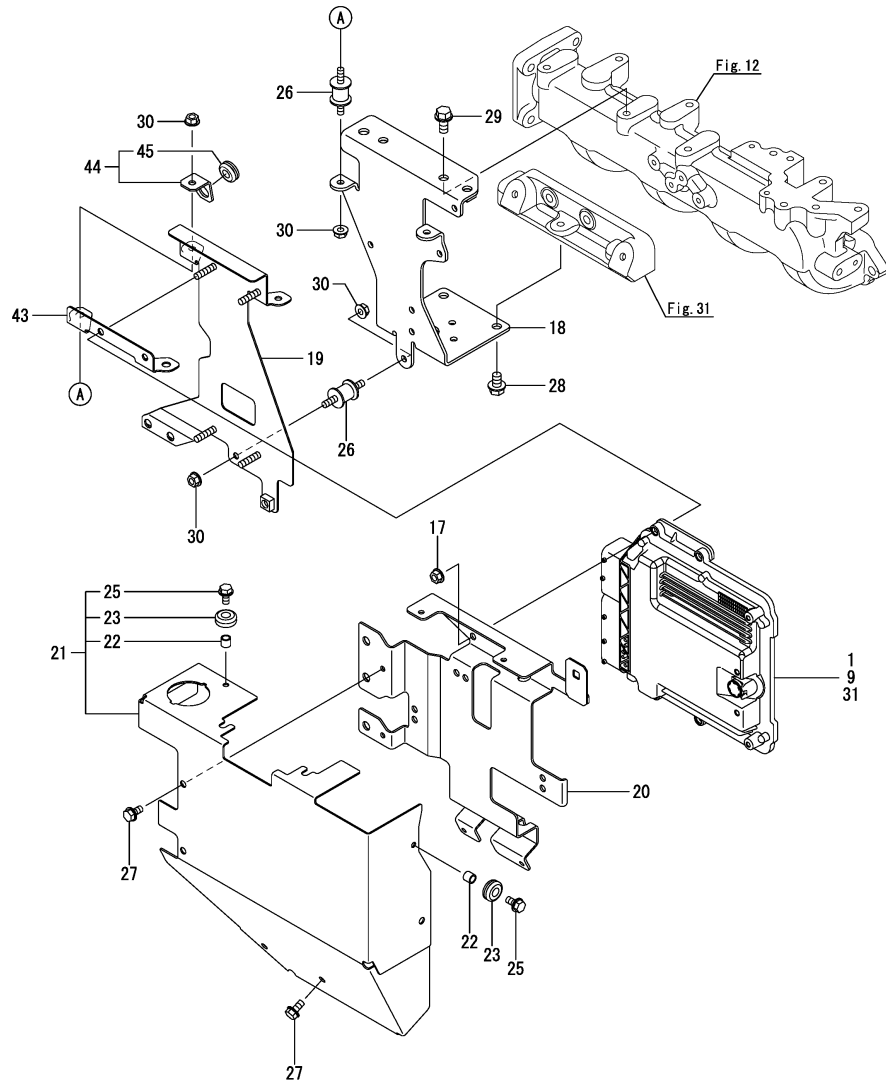
(D)=  
(E)=  
(F)=



No.	Lev.	Parts No.	Description	Q'ty						I	R
				(A)	(B)	(C)	(D)	(E)	(F)		
1	1	129677-59500	PIPE ASSY, RETURN	1	1						
1-1	1	129677-59501	PIPE ASSY, RETURN	1	1						N
		(A=E10314) (B=E10314)									
3	2	23080-007000	CLAMP, 7	1	1						
4	1	129677-59090	PIPE ASSY, RETURN	1	1						
5	2	119802-49730	RETAINER, PIPE	1	1						
7	1	129677-59220	HOSE, FUEL RETURN	1	1						
8	1	129677-59230	HOSE, FUEL RETURN	1	1						
9	1	23000-013000	CLAMP, 13	2	2						
10	1	23000-019000	CLAMP, 19	2	2						
11	1	26106-060122	BOLT, M6X 12 PLATED	1	1						
14	1	129677-59010	HOSE ASSY, FO HPP-IN	1	1						
14-1	1	129677-59011	HOSE ASSY, FUEL	1	1						N
		(A=E10815) (B=E10638)									
17	1	23000-016000	CLAMP, 16	2	2						
18	1	129677-59400	HOSE, FUEL L=6000	1	1						1

Remarks  
(1)For hull side piping(Optional parts.)

Fig.35. ELECTRONIC CONTROL UNIT(ECU) & BRACKET



(A)=4JH45  
(B)=4JH57  
(C)=

(D)=  
(E)=  
(F)=

No.	Lev.	Parts No.	Description	Q'ty						I	R
				(A)	(B)	(C)	(D)	(E)	(F)		
1	1	129674-75010	ECU ASSY, 4JH45	1							1
9	1	129675-75010	ECU ASSY, 4JH57		1						1
17	1	26366-060002	NUT, M6	4	4						
18	1	129677-77720	BRACKET, ECU BASE	1	1						
18-1	1	129677-77721	BRACKET, ECU BASE	1	1						N
		(A=E11515) (B=E11522)									
19	1	129677-77740	BRACKET, ECU HOLDER	1	1						
20	1	129677-77770	PLATE, ECU	1	1						
21	1	129677-77790	COVER ASSY, ECU	1	1						
22	2	128990-77441	COLLAR, M6	2	2						
23	2	128990-77600	GROMMET, M6	2	2						
25	2	26106-060122	BOLT, M6X 12 PLATED	2	2						
26	1	119175-91050	RUBBER, SENSOR	3	3						
27	1	26106-060122	BOLT, M6X 12 PLATED	4	4						
28	1	26106-080122	BOLT, M8X 12 PLATED	2	2						
29	1	26106-080162	BOLT, M8X 16 PLATED	1	1						
30	1	26366-060002	NUT, M6	6	6						
31	1	129A00-75940	ECU ASSY,SERVICE YMR	1	1						2
43	1	129677-77750	BRACE, ECU BRACKET	1	1						W
		(A=E11515) (B=E11522)									
44	1	129677-77930	STOPPER ASSY, ECU	2	2						W
		(A=E10815) (B=E10638)									
45	2	128990-77600	GROMMET, M6	2	2						W
		(A=E10815) (B=E10638)									

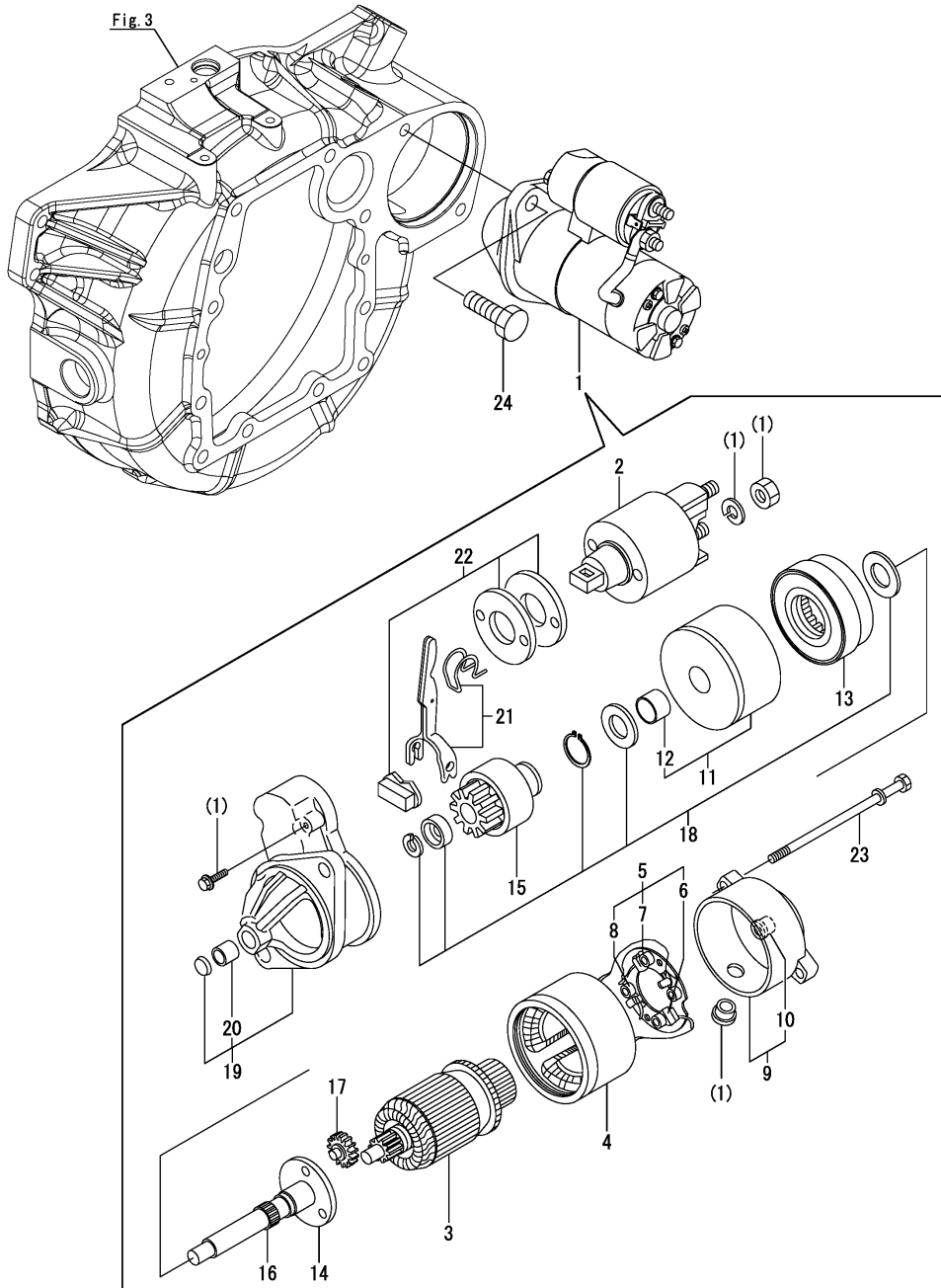
Remarks

(1)Follow the FIE procedure.  
(2)Service ECU  
If the proper information is not installed, the engine will not operate.  
To install proper information, go to an authorized distributor.

Fig.36. STARTER MOTOR

(A)=4JH45  
(B)=4JH57  
(C)=

(D)=  
(E)=  
(F)=

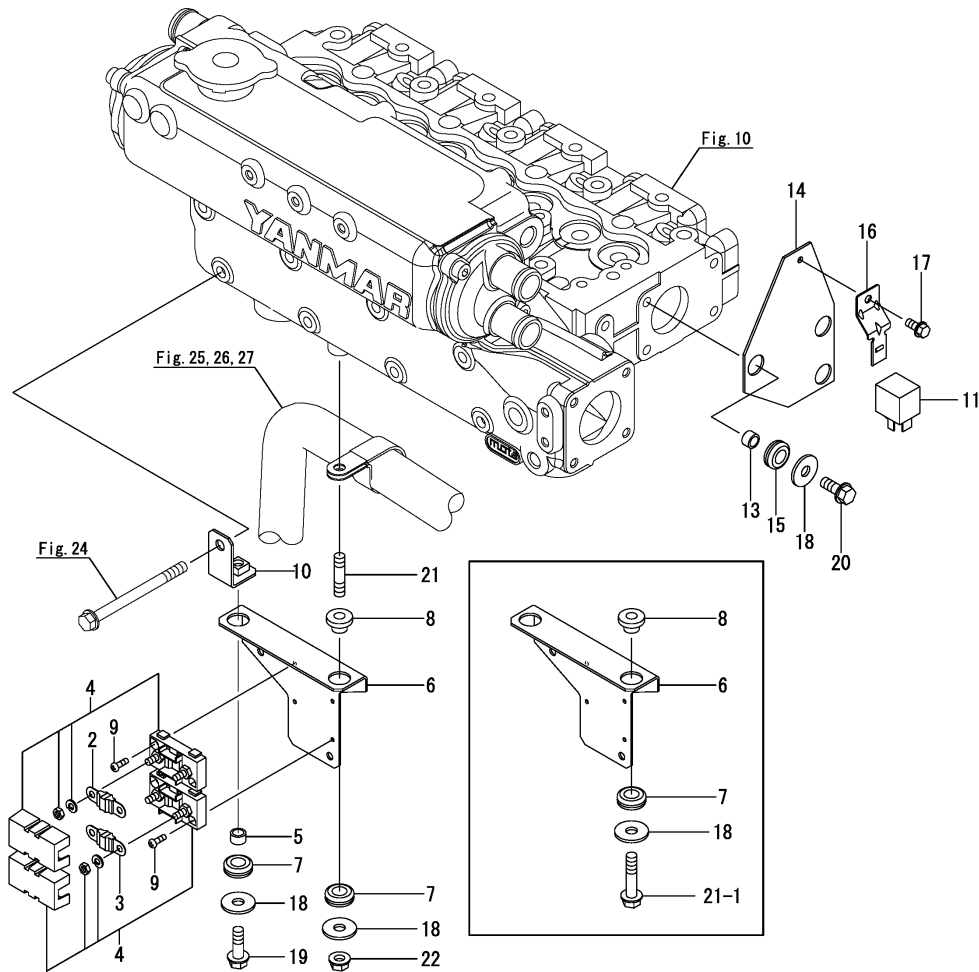


No.	Lev.	Parts No.	Description	Q'ty						I	R
				(A)	(B)	(C)	(D)	(E)	(F)		
1	1	129608-77010	STARTER ASSY	1	1						
2	2	129698-77020	SWITCH ASSY, MAGNET	1	1						
3	2	129698-77101	ARMATURE ASSY	1	1						
4	2	129698-77110	YOKE ASSY	1	1						
5	2	129698-77120	HOLDER ASSY, BRUSH	1	1						
6	3	129698-77130	BRUSH	2	2						
7	3	129698-77140	BRUSH SET	1	1						
8	3	129698-77150	SPRING, BRUSH	4	4						
9	2	129698-77161	COVER ASSY, STARTER	1	1						
10	3	129698-77170	BEARING, REAR COVER	1	1						
11	2	129698-77180	BRACKET, CENTER P	1	1						
12	3	129698-77190	BRACKET, CENTER	1	1						
13	2	129698-77200	GEAR, INTERNAL	1	1						
14	2	129698-77210	BRACKET, CENTER A	1	1						
15	2	129698-77220	PINION ASSY	1	1						
16	2	129698-77230	SHAFT, PINION	1	1						
17	2	129698-77240	GEAR, PLANETARY	3	3						
18	2	129698-77250	WASHER SET	1	1						
19	2	129698-77260	CASE ASSY, GEAR	1	1						
20	3	X2114535200	METAL, STARTER	1	1						
21	2	129698-77270	LEVER SET, SHIFT	1	1						
22	2	129698-77280	COVER KIT, DUST	1	1						
23	2	124195-77770	BOLT, THROUGH	2	2						
24	1	26116-120302	BOLT, M12X 30 PLATED	2	2						

Fig.37. RELAY

(A)=4JH45  
(B)=4JH57  
(C)=

(D)=  
(E)=  
(F)=

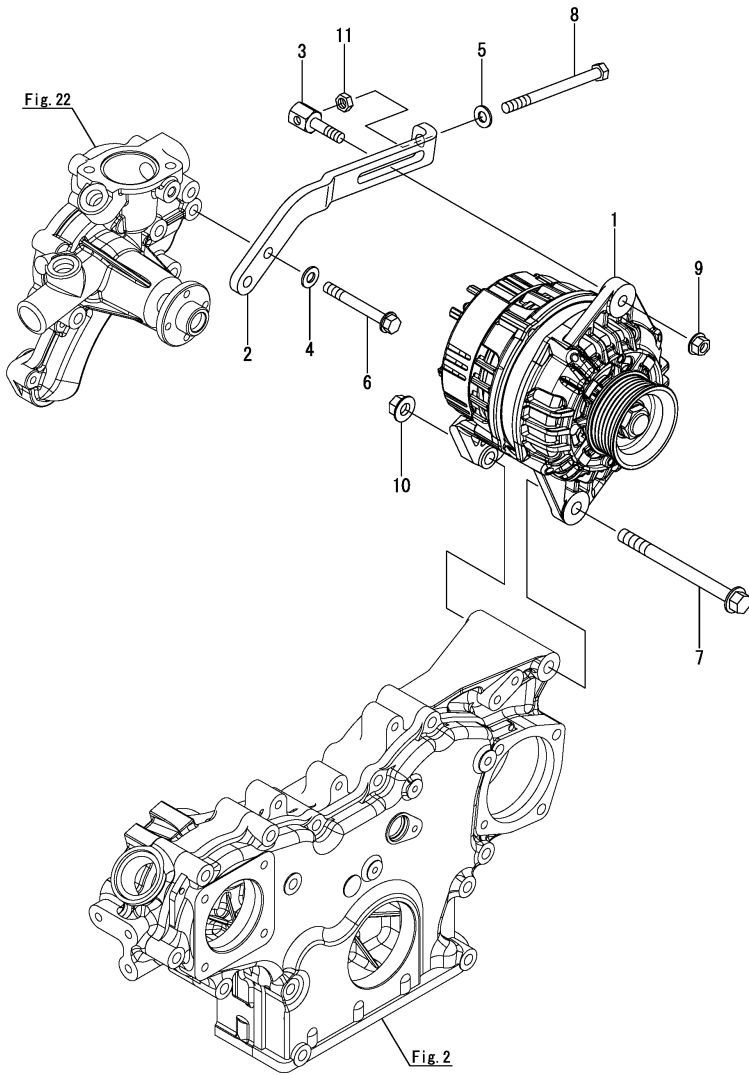


No.	Lev.	Parts No.	Description	Q'ty						I	R
				(A)	(B)	(C)	(D)	(E)	(F)		
2	1	127677-77060	FUSE, 32V-200A	1	1						
3	1	119578-77080	FUSE, 32V-50A	1	1						
4	1	119578-77200	HOLDER, FUSE	2	2						
5	1	128990-77430	COLLAR, BRACKET	1	1						
6	1	129675-77580	BRACKET,FUSE	1	1						
7	1	128990-77610	GROMMET, M8	2	2						
8	1	127677-77760	BUSH	1	1						
9	1	26557-040122	SCREW, M4X12	4	4						
10	1	129675-77590	SUPPORT, BRACKET	1	1						
11	1	129927-77920	RELAY, ISO 70A	1	1						
13	1	128990-77430	COLLAR, BRACKET	3	3						
14	1	129675-77560	BRACKET,RELAY	1	1						
15	1	128990-77610	GROMMET, M8	3	3						
16	1	129927-77910	BRACKET, CONNECTOR	1	1						
17	1	26106-060122	BOLT, M6X 12 PLATED	1	1						
17-1	1	26106-060102	BOLT, M6X 10 PLATED	1	1						R
		(A=*2017.10.) (B=*2017.10.)									
18	1	22157-080000	WASHER, 8	5	5						
19	1	26106-080202	BOLT, M8X 20 PLATED	1	1						
20	1	26106-080202	BOLT, M8X 20 PLATED	3	3						
21	1	26216-080252	STUD, M8X 25	1	1						
21-1	1	26106-080302	BOLT, M8X 30 PLATED	1	1						N
		(A=E10815) (B=E10638)									
22	1	26366-080002	NUT, M8	1	1						Z
		(A=E10815) (B=E10638)									

Fig.38. ALTERNATOR(EARTH TYPE)

(A)=4JH45  
(B)=4JH57  
(C)=

(D)=  
(E)=  
(F)=



No.	Lev.	Parts No.	Description	Q'ty						I	R
				(A)	(B)	(C)	(D)	(E)	(F)		
1	1	128990-77250	ALTERNATOR, 12V-125A	1	1						1
2	1	129677-77440	ADJUSTER, BELT	1	1						
3	1	129271-77641	BOLT, ADJUSTER	1	1						
4	1	22137-080000	WASHER, 8	1	1						
5	1	22137-080000	WASHER, 8	1	1						
6	1	26106-080652	BOLT, M8X 65 PLATED	1	1						
7	1	26106-101202	BOLT, M10X120 PLATED	1	1						
8	1	26116-081004	BOLT, M8X100 PLATED	1	1						
9	1	26366-080002	NUT, M8	1	1						
10	1	26366-100002	NUT, M10	1	1						
11	1	26756-080002	NUT, LOCK M8	1	1						

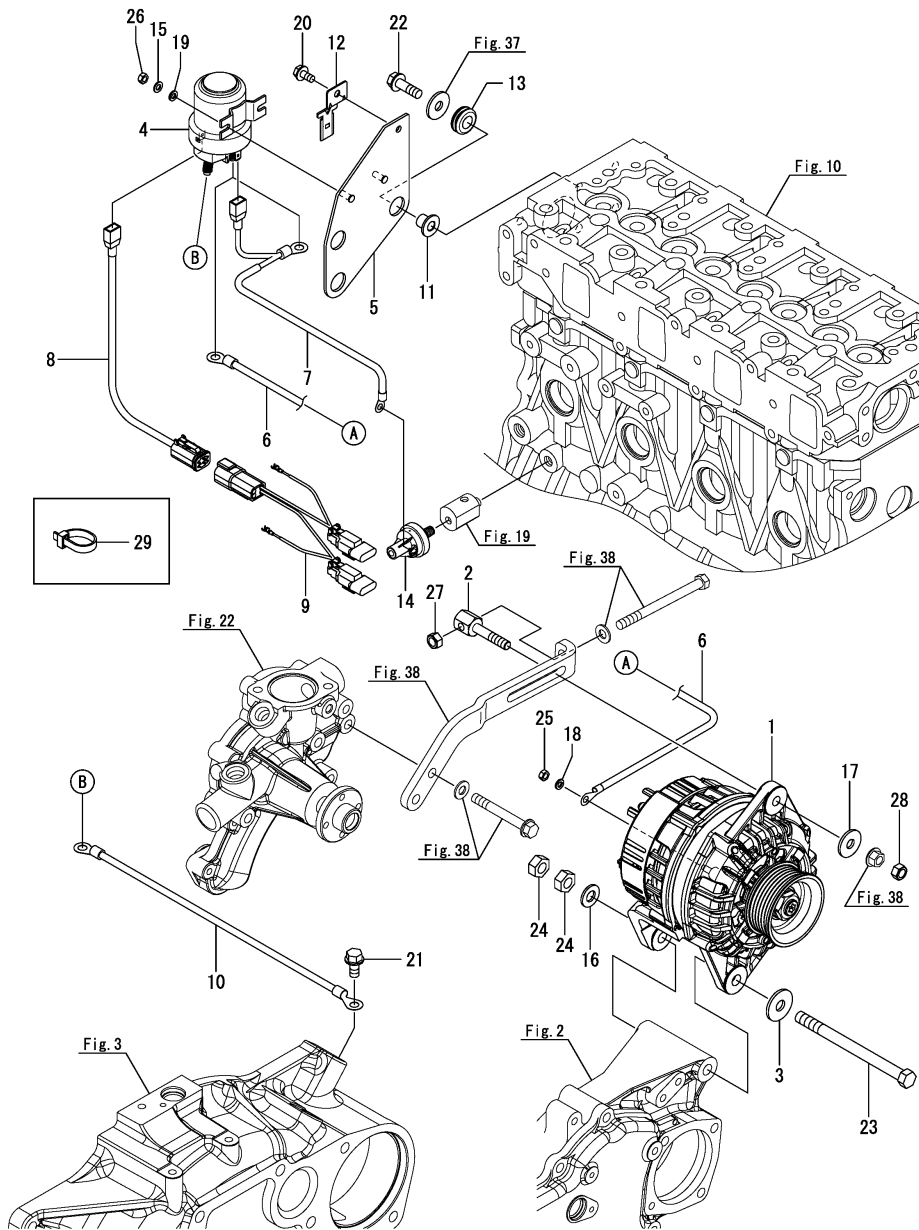
Remarks

(1) Inner parts are shown in Fig.61(39B).

Fig.59. (38A)ALTERNATOR(EARTH FLOAT TYPE REMODEL KIT)(OPTIONAL)

(A)=4JH45  
(B)=4JH57  
(C)=

(D)=  
(E)=  
(F)=



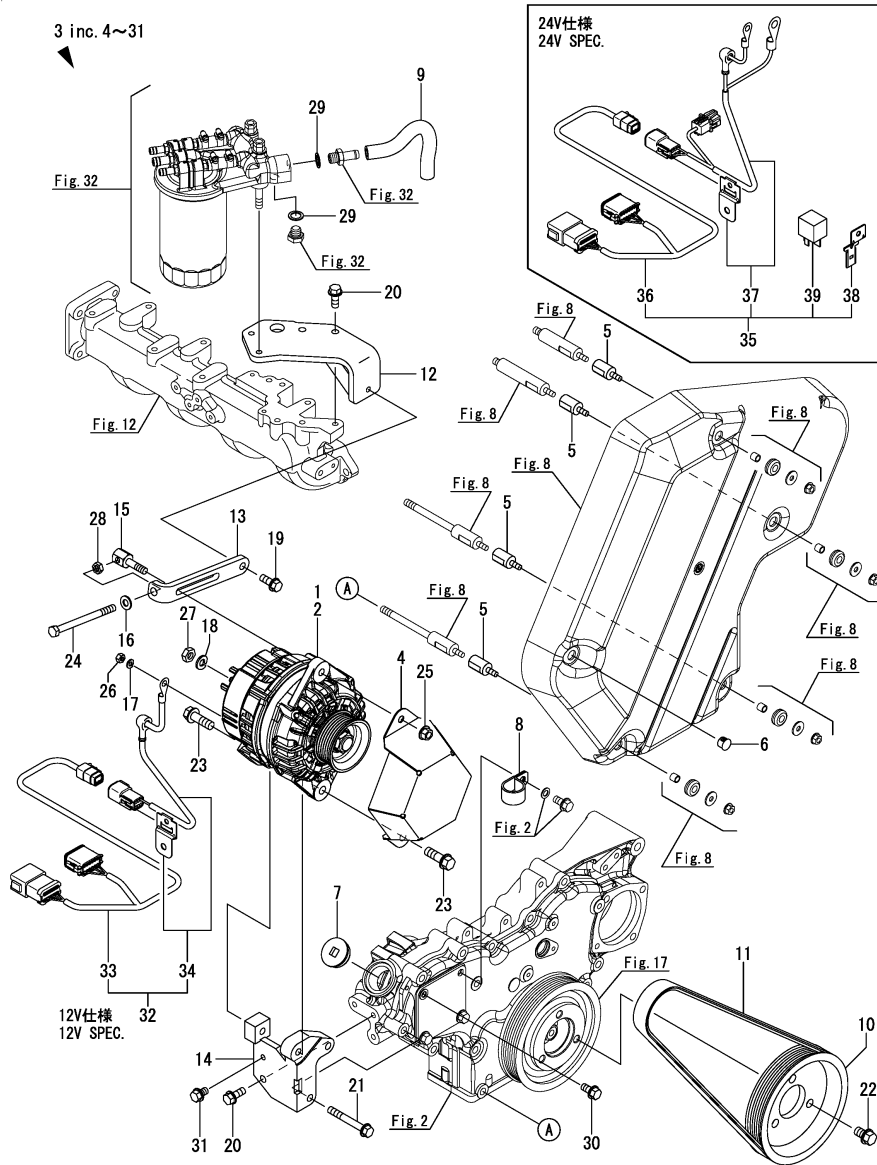
No.	Lev.	Parts No.	Description	Q'ty						I	R
				(A)	(B)	(C)	(D)	(E)	(F)		
1	1	129677-77300	ALTERNATOR,12V-ISOLA	1	1						1
2	1	129677-77350	BOLT,ADJUSTER	1	1						
3	1	129677-77360	WASHER,30/10.5	1	1						
4	1	129677-77370	RELAY, MINUS	1	1						
5	1	129675-77380	BRACKET, RELAY	1	1						
6	1	129677-77390	CABLE,MINUS ALT-RELA	1	1						
7	1	129677-77400	HARNES,MINUS LO SW	1	1						
8	1	129677-77410	HARNES,START PULSE1	1	1						
9	1	129677-77420	HARNES,START PULSE2	1	1						
10	1	129677-77430	CABLE,RELAY-FWH	1	1						
11	1	119578-77680	COLLAR, CONTROLLER	3	3						
12	1	129927-77910	BRACKET, CONNECTOR	1	1						
13	1	119578-91351	RUBBER, CONTROLLER	3	3						
14	1	126630-91601	SWITCH, HYDRAULIC	1	1						
15	1	22137-050000	WASHER, 5	2	2						
16	1	22137-100000	WASHER, 10	1	1						
17	1	22157-080000	WASHER, 8	1	1						
18	1	22217-050000	WASHER, SPRING 5	1	1						
19	1	22217-050000	WASHER, SPRING 5	2	2						
20	1	26106-060122	BOLT, M6X 12 PLATED	1	1						
21	1	26106-080162	BOLT, M8X 16 PLATED	1	1						
22	1	26106-080252	BOLT, M8X 25 PLATED	3	3						
23	1	26116-101302	BOLT, M10X130 PLATED	1	1						
24	1	26706-100002	NUT, M10	2	2						
25	1	26716-050002	NUT, M5	1	1						
26	1	26716-050002	NUT, M5	2	2						
27	1	26716-080002	NUT, M8	1	1						
28	1	26716-080002	NUT, M8	1	1						
29	1	29621-200001	BAND, TR200	4	4						

Remarks

(1)Inner parts are shown in Fig.62(39C).



### Fig.39. ALTERNATOR KIT(2ND)(OPTIONAL)

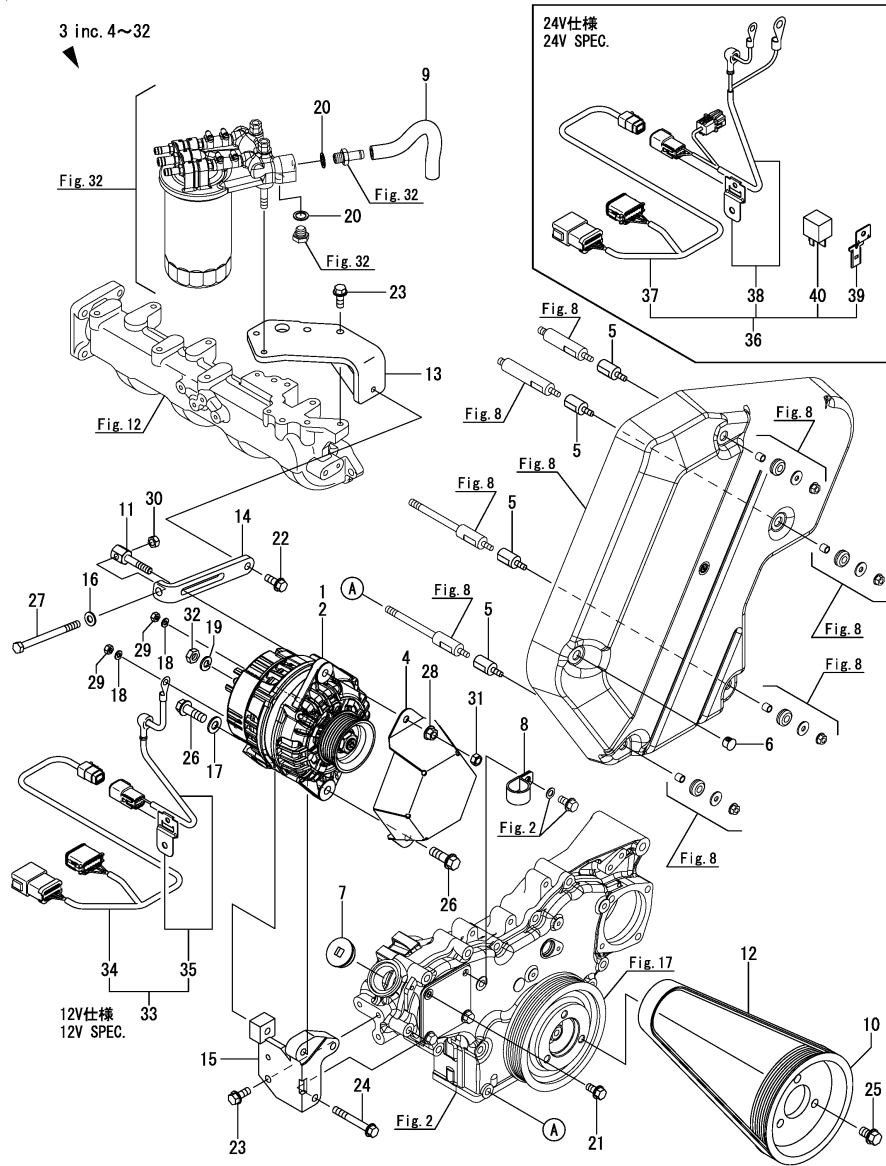


Remarks  
 (1)12V specification(Inner parts are shown in Fig.61(39B)).  
 (2)24V specification(Inner parts are shown in Fig.61(39B)).  
 (3)12V specification.  
 (4)24V specification.

No.	Lev.	Parts No.	Description	Q'ty						I	R
				(A)	(B)	(C)	(D)	(E)	(F)		
1	1	128990-77250	ALTERNATOR, 12V-125A	1	1						1
2	1	129677-77250	ALTERNATOR, 24V-60A	1	1						2
3	1	129677-77600	ALTERNATOR KIT, JHCR	1	1						W
4	2	129677-09130	COVER, BELT	1	1						
5	2	129677-09510	BOLT, SPACER L=25	4	4						
6	2	129677-09600	PLUG, D12.7 HOLE	1	1						
7	2	119807-11770	PLUG, FILLER	1	1						
8	2	121575-49310	RETAINER, PIPE	1	1						
9	2	129677-59270	HOSE, FUEL RETURN	1	1						
10	2	129271-77251	PULLEY, CRANK 6PK	1	1						
11	2	128790-77580	BELT, ALTERNATOR 6PK	1	1						
12	2	129677-77610	BRACKET, FILTER	1	1						
13	2	129677-77620	ADJUSTER, BELT	1	1						
14	2	129677-77630	BRACKET, 2ND	1	1						
15	2	129271-77641	BOLT, ADJUSTER	1	1						
16	2	22137-080000	WASHER, 8	1	1						
17	2	22217-050000	WASHER, SPRING 5	1	1						
18	2	22217-080000	WASHER, SPRING 8	1	1						
19	2	26106-080202	BOLT, M8X 20 PLATED	1	1						
20	2	26106-080202	BOLT, M8X 20 PLATED	3	3						
21	2	26106-080602	BOLT, M8X 60 PLATED	2	2						
22	2	26106-100202	BOLT, M10X 20 PLATED	3	3						
23	2	26106-100302	BOLT, M10X 30 PLATED	2	2						
24	2	26116-081004	BOLT, M8X100 PLATED	1	1						
25	2	26366-080002	NUT, M8	1	1						
26	2	26716-050002	NUT, M5	1	1						
27	2	26756-080002	NUT, LOCK M8	1	1						
28	2	26756-080002	NUT, LOCK M8	1	1						
29	2	23414-120000	GASKET, 12X1.0	2	2						W
30	2	26106-080162	BOLT, M8X 16 PLATED	1	1						W
31	2	26106-080122	BOLT, M8X 12 PLATED	1	1						W
32	1	129677-77650	HARNES KIT,EXCITE12	1	1						W 3
33	2	164000-21350	HARNES, WIRE	1	1						W 3
34	2	129677-77670	HARNES, 2ND ALT 12V	1	1						W 3
35	1	129677-77660	HARNES KIT,EXCITE24	1	1						W 4
36	2	164000-21350	HARNES, WIRE	1	1						W 4
37	2	129677-77680	HARNES, 2ND ALT 24V	1	1						W 4
38	2	129927-77910	BRACKET, CONNECTOR	1	1						W 4
39	2	129927-77920	RELAY, ISO 70A	1	1						W 4

N:Old  $\frac{Yes}{No}$  New, Q:Old  $\frac{No}{Yes}$  New, R:Old  $\frac{Yes}{Yes}$  New, S:Old  $\frac{No}{No}$  New, W:Add, Z:Discontinued, F:Interchangeable by set, K:Q'ty Change  
 Copyright (C) 2018 YANMAR GLOBAL CS CO., LTD. All Rights Reserved.

Fig.60. (39A)ALTERNATOR KIT(2ND)(ISOLATED TYPE)(OPTIONAL)



(A)=4JH45  
(B)=4JH57  
(C)=

(D)=  
(E)=  
(F)=

No.	Lev.	Parts No.	Description	Q'ty						I	R
				(A)	(B)	(C)	(D)	(E)	(F)		
1	1	129677-77300	ALTERNATOR,12V-ISOLA	1	1						1
2	1	129677-77450	ALTERNATOR,24V-ISOLA	1	1						2
3	1	129677-77640	ALTERNATOR KIT,ISOLA	1	1						
4	2	129677-09130	COVER, BELT	1	1						
5	2	129677-09510	BOLT, SPACER L=25	4	4						
6	2	129677-09600	PLUG, D12.7 HOLE	1	1						
7	2	119807-11770	PLUG, FILLER	1	1						
8	2	121575-49310	RETAINER, PIPE	1	1						
9	2	129677-59270	HOSE, FUEL RETURN	1	1						
10	2	129271-77251	PULLEY, CRANK 6PK	1	1						
11	2	129677-77350	BOLT,ADJUSTER	1	1						
12	2	128790-77580	BELT, ALTERNATOR 6PK	1	1						
13	2	129677-77610	BRACKET, FILTER	1	1						
14	2	129677-77620	ADJUSTER, BELT	1	1						
15	2	129677-77630	BRACKET, 2ND	1	1						
16	2	22137-080000	WASHER, 8	1	1						
17	2	22137-100000	WASHER, 10	1	1						
18	2	22217-050000	WASHER, SPRING 5	2	2						
19	2	22217-080000	WASHER, SPRING 8	1	1						
20	2	23414-120000	GASKET, 12X1.0	2	2						
21	2	26106-080162	BOLT, M8X 16 PLATED	1	1						
22	2	26106-080202	BOLT, M8X 20 PLATED	1	1						
23	2	26106-080202	BOLT, M8X 20 PLATED	3	3						
24	2	26106-080602	BOLT, M8X 60 PLATED	2	2						
25	2	26106-100202	BOLT, M10X 20 PLATED	3	3						
26	2	26106-100302	BOLT, M10X 30 PLATED	2	2						
27	2	26116-081004	BOLT, M8X100 PLATED	1	1						
28	2	26366-080002	NUT, M8	1	1						
29	2	26716-050002	NUT, M5	2	2						
30	2	26716-080002	NUT, M8	1	1						
31	2	26716-080002	NUT, M8	1	1						
32	2	26756-080002	NUT, LOCK M8	1	1						
33	1	129677-77650	HARNESS KIT,EXCITE12	1	1						3
34	2	164000-21350	HARNESS, WIRE	1	1						3
35	2	129677-77670	HARNESS, 2ND ALT 12V	1	1						3
36	1	129677-77660	HARNESS KIT,EXCITE24	1	1						4
37	2	164000-21350	HARNESS, WIRE	1	1						4
38	2	129677-77680	HARNESS, 2ND ALT 24V	1	1						4
39	2	129927-77910	BRACKET, CONNECTOR	1	1						4
40	2	129927-77920	RELAY, ISO 70A	1	1						4

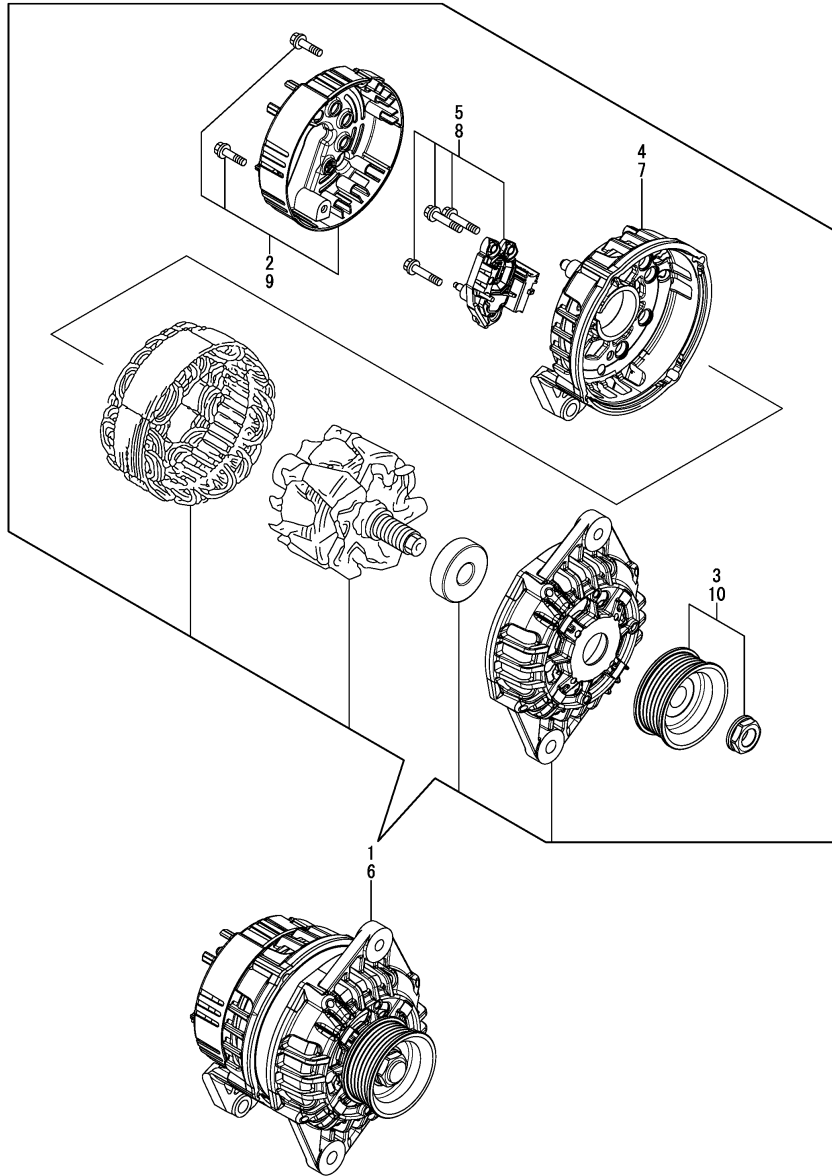
Remarks

- (1)12V specification(Inner parts are shown in Fig.62(39C)).
- (2)24V specification(Inner parts are shown in Fig.62(39C)).
- (3)12V specification.
- (4)24V specification.

Fig.61. (39B)ALTERNATOR(INNER PARTS)

(A)=4JH45  
(B)=4JH57  
(C)=

(D)=  
(E)=  
(F)=

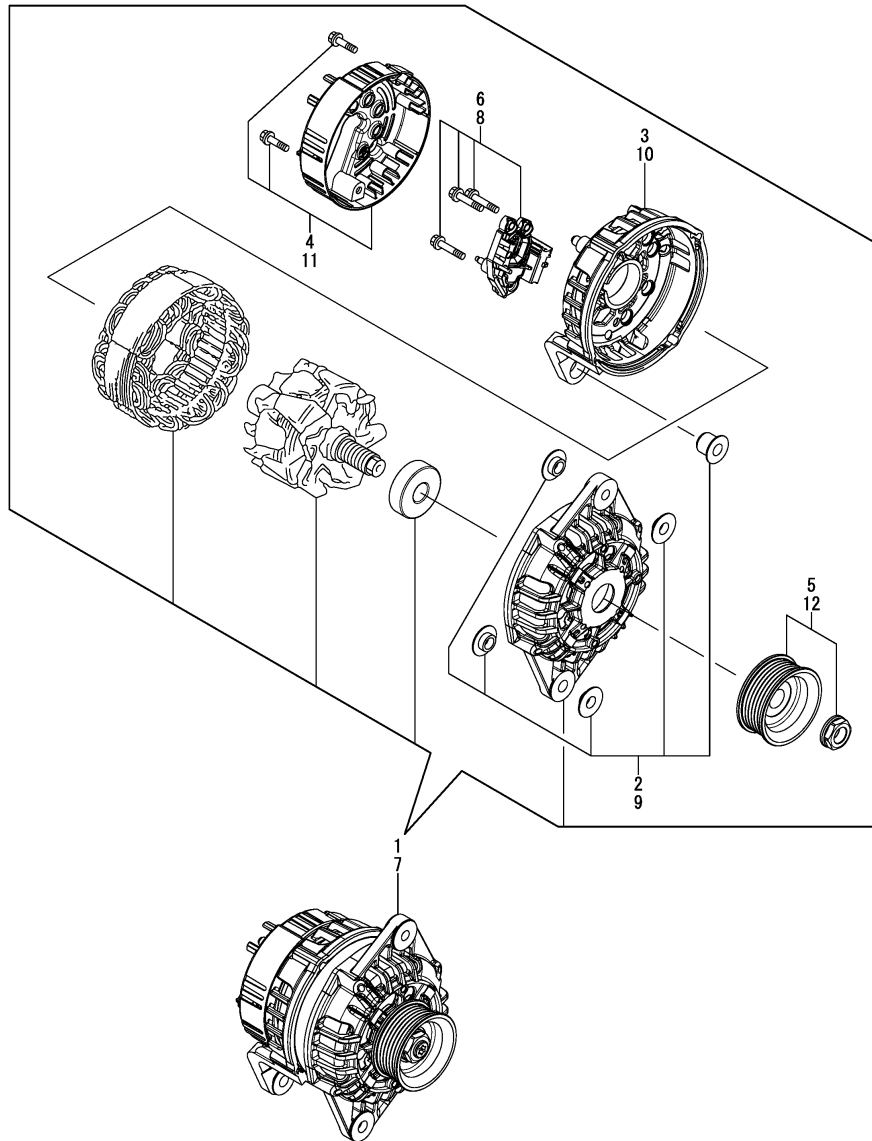


No.	Lev.	Parts No.	Description	Q'ty						I	R
				(A)	(B)	(C)	(D)	(E)	(F)		
1	1	128990-77250	ALTERNATOR, 12V-125A	1	1						1
2	2	128990-77700	COVER, REAR	1	1						1
3	2	128990-77730	PULLEY	1	1						1
4	2	128990-77770	RECTIFIER, 12V BRACKE	1	1						1
5	2	128990-77780	REGULATOR, 12V SCREW	1	1						1
6	1	129677-77250	ALTERNATOR, 24V-60A	1	1						2
7	2	129677-77280	RECTIFIER, 24V BRACKE	1	1						2
8	2	129677-77290	REGULATOR, 24V SCREWS	1	1						2
9	2	128990-77700	COVER, REAR	1	1						2
10	2	128990-77730	PULLEY	1	1						2

Remarks

- (1)12V specification.
- (2)24V specification.

Fig.62. (39C)ALTERNATOR(INNER PARTS)(ISOLATED TYPE)



(A)=4JH45  
(B)=4JH57  
(C)=

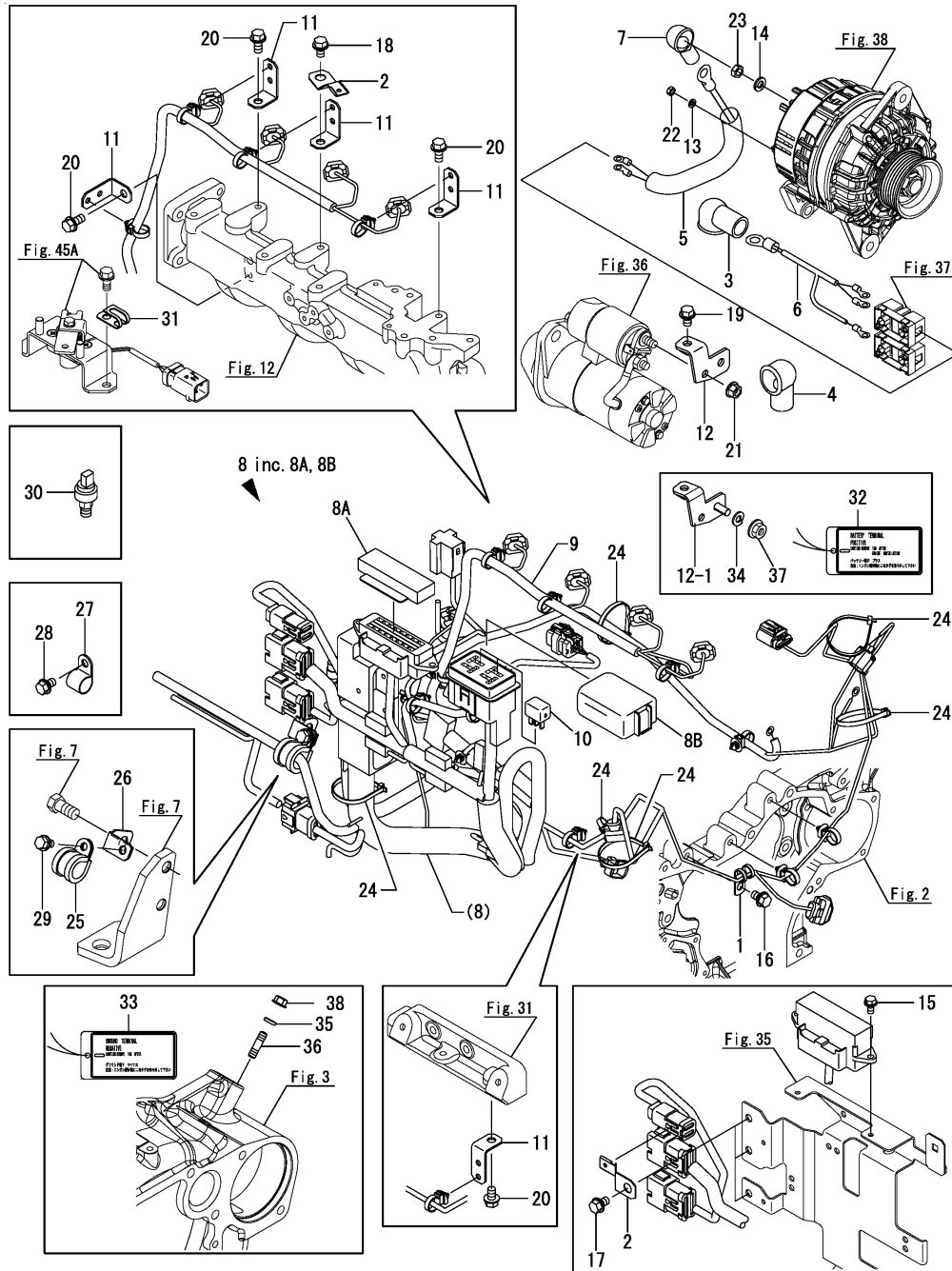
(D)=  
(E)=  
(F)=

No.	Lev.	Parts No.	Description	Q'ty						I	R
				(A)	(B)	(C)	(D)	(E)	(F)		
1	1	129677-77300	ALTERNATOR,12V-ISOLA	1	1						1
2	2	129677-77310	BUSH ASSY,ISOLATION	1	1						1
3	2	129677-77330	RECTIFIER,12V ISOLAT	1	1						1
4	2	128990-77700	COVER, REAR	1	1						1
5	2	128990-77730	PULLEY	1	1						1
6	2	128990-77780	REGULATOR,12V SCREW	1	1						1
7	1	129677-77450	ALTERNATOR,24V-ISOLA	1	1						2
8	2	129677-77290	REGULATOR,24V SCREWS	1	1						2
9	2	129677-77310	BUSH ASSY,ISOLATION	1	1						2
10	2	129677-77340	RECTIFIER,24V ISOLAT	1	1						2
11	2	128990-77700	COVER, REAR	1	1						2
12	2	128990-77730	PULLEY	1	1						2

Remarks

- (1)12V specification.
- (2)24V specification.

Fig.40. WIRE HARNESS



(A)=4JH45  
(B)=4JH57  
(C)=

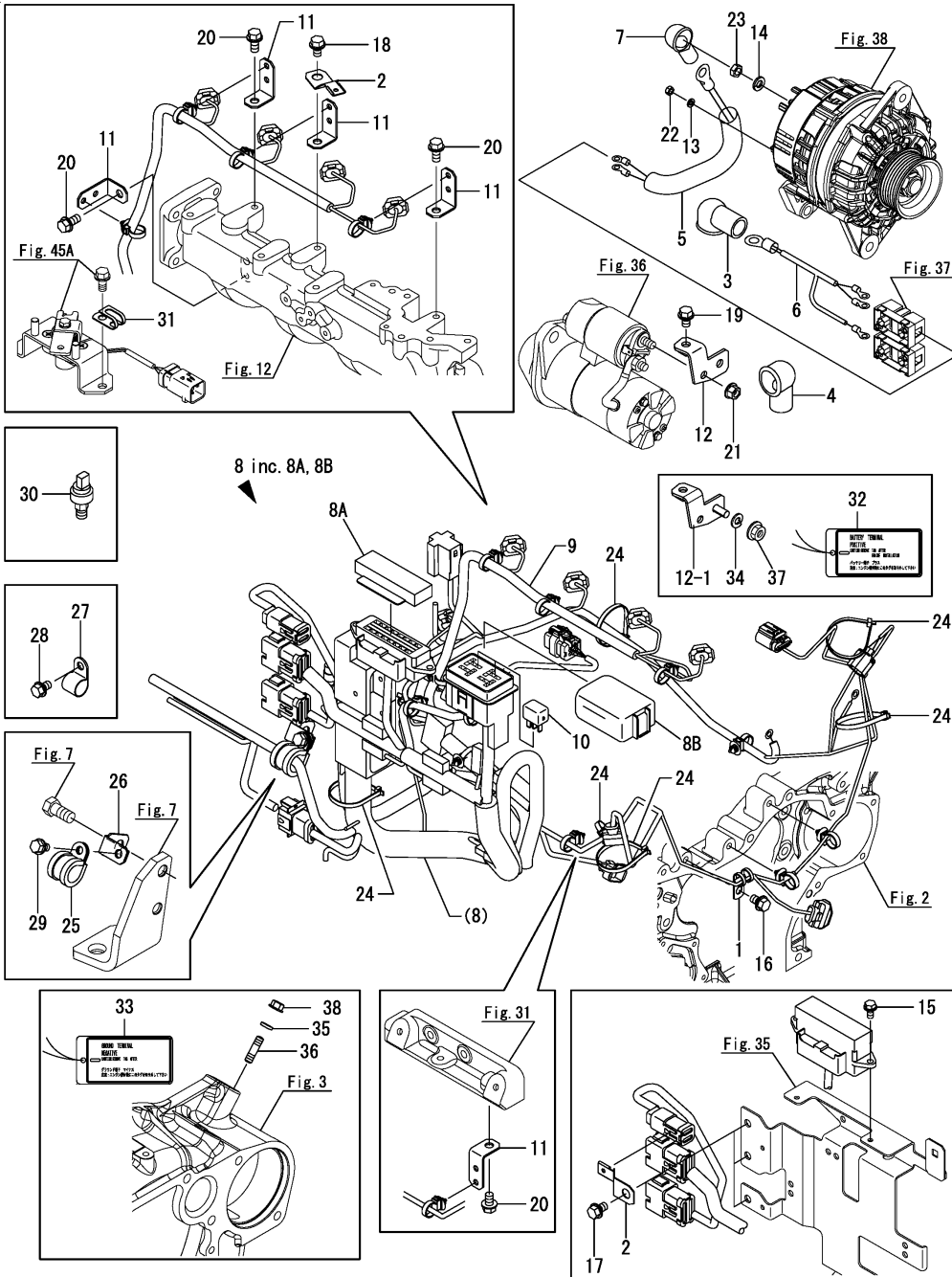
(D)=  
(E)=  
(F)=

No.	Lev.	Parts No.	Description	Q'ty						I	R
				(A)	(B)	(C)	(D)	(E)	(F)		
1	1	194440-51620	CLAMP, B	1	1						
2	1	119578-75610	CLIP, CONNECTOR	4	4						
3	1	119773-77030	COVER, TERMINAL	1	1						
4	1	119773-77030	COVER, TERMINAL	1	1						
5	1	129677-77030	HARNESS, WIRE A	1	1						
6	1	129677-77040	HARNESS, WIRE B	1	1						
7	1	129677-77060	COVER, TERMINAL	1	1						
8	1	129677-77110	HARNESS, ECU K	1	1						
8A	2	129677-77150	COVER,FUSEBOX	1	1						W
		(A=*2015.08.) (B=*2015.08.)									
8B	2	129677-77160	COVER,RELAISBOX	1	1						W
		(A=*2015.08.) (B=*2015.08.)									
9	1	129677-77130	HARNESS, ECU A	1	1						
10	1	127677-77330	RELAY, MAIN	2	2						
11	1	129677-77550	BRACKET, HARNESS	5	5						
12	1	129675-77570	TERMINAL, BATTERY	1	1						
12-1	1	129675-77571	TERMINAL, BATTERY	1	1						N
		(A=*2018.08) (B=*2018.08)									
13	1	22217-050000	WASHER, SPRING 5	1	1						
14	1	22217-080000	WASHER, SPRING 8	1	1						
15	1	26106-060122	BOLT, M6X 12 PLATED	2	2						
15-1	1	26106-060162	BOLT, M6X 16 PLATED	2	2						N
		(A=E/#10815) (B=E/#10638)									
16	1	26106-080122	BOLT, M8X 12 PLATED	1	1						
17	1	26106-080122	BOLT, M8X 12 PLATED	3	3						
18	1	26106-080122	BOLT, M8X 12 PLATED	1	1						
19	1	26106-080122	BOLT, M8X 12 PLATED	1	1						
20	1	26106-080162	BOLT, M8X 16 PLATED	4	4						
21	1	26366-080002	NUT, M8	1	1						
22	1	26716-050002	NUT, M5	1	1						
23	1	26756-080002	NUT, LOCK M8	1	1						
24	1	29621-200001	BAND, TR200	13	13						
25	1	129672-49050	RETAINER, PIPE	1	1						
26	1	129677-77710	BRACKET, HARNESS	1	1						
27	1	23297-180081	CLAMP, A18X 8	1	1						Z
		(A=E/#10815) (B=E/#10638)									
28	1	26106-080122	BOLT, M8X 12 PLATED	1	1						Z
		(A=E/#10815) (B=E/#10638)									
29	1	26106-080122	BOLT, M8X 12 PLATED	1	1						
30	1	119578-91300	SENSOR, PRESSURE	1	1						
31	1	194440-51620	CLAMP, B	1	1						W
		(A=E/#10815) (B=E/#10638)									
32	1	129677-07450	LABEL, BATTERY+	1	1						W
		(A=*2018.08) (B=*2018.08)									
33	1	129677-07460	LABEL, GROUND-	1	1						W
		(A=*2018.08) (B=*2018.08)									
34	1	22217-080000	WASHER, SPRING 8	1	1						W
		(A=*2018.08) (B=*2018.08)									
35	1	22217-080000	WASHER, SPRING 8	1	1						W
		(A=*2018.08) (B=*2018.08)									
36	1	26216-080202	STUD, M8X 20	1	1						W

Fig.40. WIRE HARNESS

(A)=4JH45  
(B)=4JH57  
(C)=

(D)=  
(E)=  
(F)=

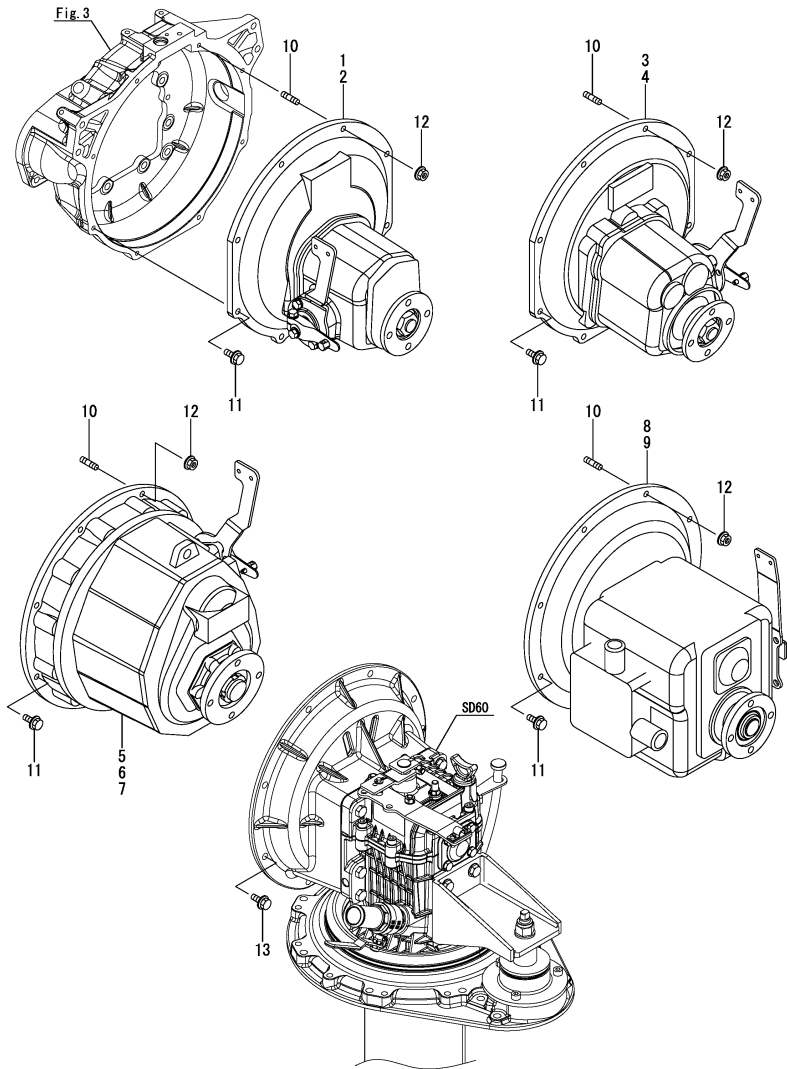


No.	Lev.	Parts No.	Description	Q'ty						I	R
				(A)	(B)	(C)	(D)	(E)	(F)		
37	1	(A)=*2018.08	(B)=*2018.08								
		26366-080002	NUT, M8	1	1						W
38	1	(A)=*2018.08	(B)=*2018.08								
		26366-080002	NUT, M8	1	1						W

Fig.42. CLUTCH(OPTIONAL)

(A)=4JH45  
(B)=4JH57  
(C)=

(D)=  
(E)=  
(F)=

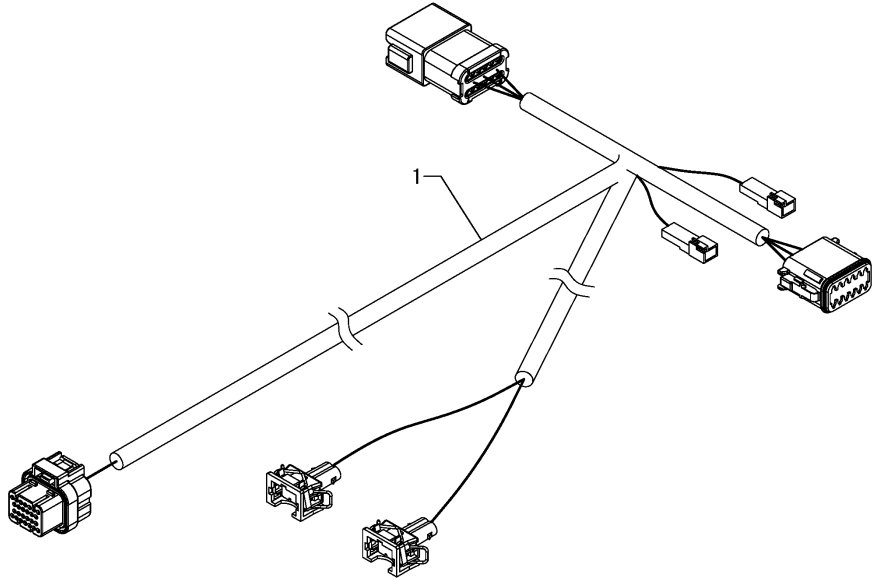


No.	Lev.	Parts No.	Description	Q'ty						I	R
				(A)	(B)	(C)	(D)	(E)	(F)		
1	1	129270-81110	CLUTCH, KM35P I=2.36	1	1						1
2	1	129270-81120	CLUTCH, I=2.61	1	1						1
3	1	129670-81200	CLUTCH, I=2.33	1	1						2
4	1	129670-81210	CLUTCH, I=2.64	1	1						2
5	1	129670-81040	CLUTCH, I=1.47	1	1						3
6	1	129670-81050	CLUTCH, I=2.14	1	1						3
7	1	129670-81060	CLUTCH, I=2.63	1	1						3
8	1	129670-81100	GEAR, MARINE I=2.15	1	1						4
9	1	129670-81110	GEAR, MARINE I=2.7	1	1						4
10	1	129670-13600	STUD, M8X20	2	2						5
11	1	26106-080202	BOLT, M8X 20 PLATED	6	6						5
12	1	26366-080002	NUT, M8	2	2						5
13	1	26106-080182	BOLT, M8X 18 PLATED	8	8						6
14	1	129675-81500	CLUTCH ASSY,ZF25A193	1	1						W 7
		(A=*2017.03.)	(B=*2017.03.)								
15	1	129675-81510	CLUTCH ASSY,ZF25A229	1	1						W 7
		(A=*2017.03.)	(B=*2017.03.)								
16	1	129675-81520	CLUTCH ASSY,ZF25A248	1	1						W 7
		(A=*2017.03.)	(B=*2017.03.)								
17	1	129675-81530	CLUTCH ASSY,ZF25A271	1	1						W 7
		(A=*2017.03.)	(B=*2017.03.)								
18	1	129675-81540	CLUTCH ASSY,ZF25A193	1	1						W 7
		(A=*2017.03.)	(B=*2017.03.)								
19	1	129675-81550	CLUTCH ASSY,ZF25A229	1	1						W 7
		(A=*2017.03.)	(B=*2017.03.)								
20	1	129675-81560	CLUTCH ASSY,ZF25A248	1	1						W 7
		(A=*2017.03.)	(B=*2017.03.)								
21	1	129675-81570	CLUTCH ASSY,ZF25A271	1	1						W 7
		(A=*2017.03.)	(B=*2017.03.)								
22	1	129675-81580	CLUTCH ASSY,ZF25197M	1	1						W 8
		(A=*2017.03.)	(B=*2017.03.)								
23	1	129675-81590	CLUTCH ASSY,ZF25280M	1	1						W 8
		(A=*2017.03.)	(B=*2017.03.)								
24	1	129675-81600	CLUTCH ASSY,ZF25197E	1	1						W 8
		(A=*2017.03.)	(B=*2017.03.)								
25	1	129675-81610	CLUTCH ASSY,ZF25280E	1	1						W 8
		(A=*2017.03.)	(B=*2017.03.)								

Remarks

- (1)KM35P.
- (2)KM35A2.
- (3)KM4A1.
- (4)ZF30M.
- (5)For KM35A2, KM35P, KM4A1, ZF25, ZF25A, ZF30M connecting.
- (6)For SD60 connecting.
- (7)ZF25A(Not illustrated).
- (8)ZF25(Not illustrated).

Fig.56. (42A)SHIFT HARNESS(FOR ZF25, ZF25A SOLENOID SHIFT)



(A)=4JH45  
(B)=4JH57  
(C)=

(D)=  
(E)=  
(F)=

No.	Lev.	Parts No.	Description	Q'ty						I	R
				(A)	(B)	(C)	(D)	(E)	(F)		
1	1	164000-21460	HARNESS,WIRE SHIFT	1	1						

---

---

---

---

---

---

---

---

---

---

---

---

---

---

---

---

---

---

---

---

---

---

---

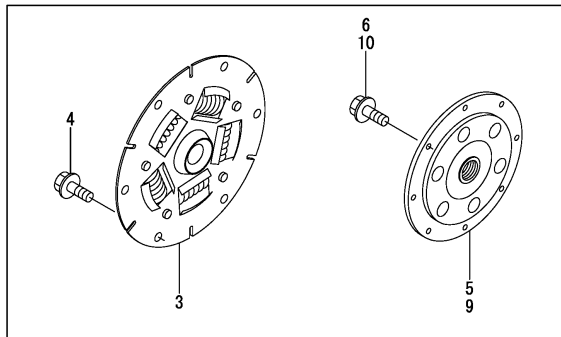
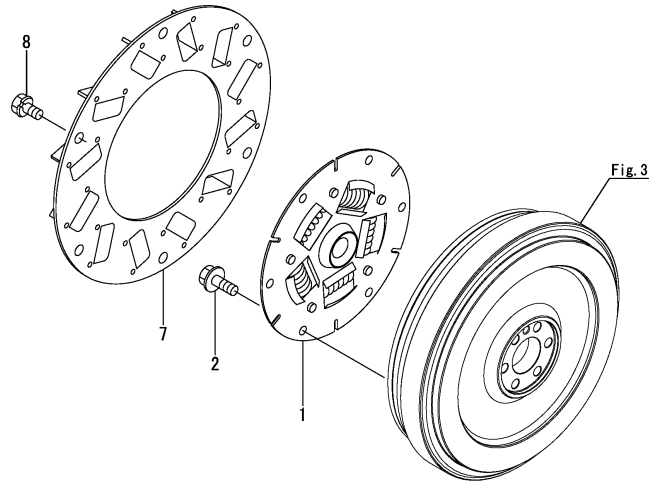
---

---

---



Fig.43. DAMPER DISC(OPTIONAL)



(A)=4JH45  
(B)=4JH57  
(C)=

(D)=  
(E)=  
(F)=

No.	Lev.	Parts No.	Description	Q'ty						I	R
				(A)	(B)	(C)	(D)	(E)	(F)		
1	1	177090-03500	DISK, DAMPER D190	1	1						1
2	1	26106-080162	BOLT, M8X 16 PLATED	6	6						1
3	1	177070-03520	DISK, DAMPER D190	1	1						2
4	1	26106-080162	BOLT, M8X 16 PLATED	6	6						2
5	1	129673-81250	DISK, DAMPER	1	1						3
6	1	26106-080252	BOLT, M8X 25 PLATED	6	6						3
7	1	129670-81850	FAN, FLYWHEEL	1	1						2
8	1	26013-080142	BOLT, M8X 14	6	6						2
9	1	129673-81150	DISK, DAMPER	1	1						W 4
		(A=*2017.03.) (B=*2017.03.)									
10	1	26106-080202	BOLT, M8X 20 PLATED	6	6						W 4
		(A=*2017.03.) (B=*2017.03.)									

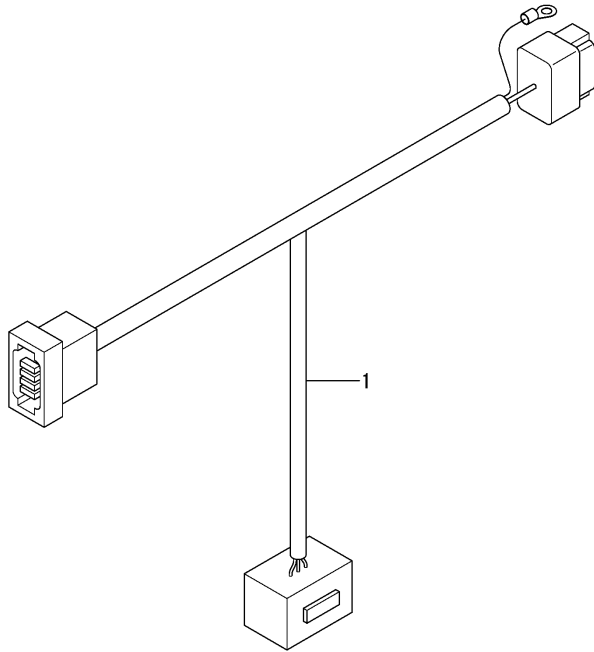
Remarks

- (1)For KM4A1, SD60.
- (2)For KM35A2, KM35P.
- (3)For ZF30M.
- (4)For ZF25, ZF25A.

Fig.44. ELECTRIC PARTS(FOR SD60)

(A)=4JH45  
(B)=4JH57  
(C)=

(D)=  
(E)=  
(F)=



No.	Lev.	Parts No.	Description	Q'ty						I	R
				(A)	(B)	(C)	(D)	(E)	(F)		
1	1	196420-02790	AMP	1	1						

---



---



---



---



---



---



---



---



---



---



---



---



---



---



---



---



---



---



---



---



---

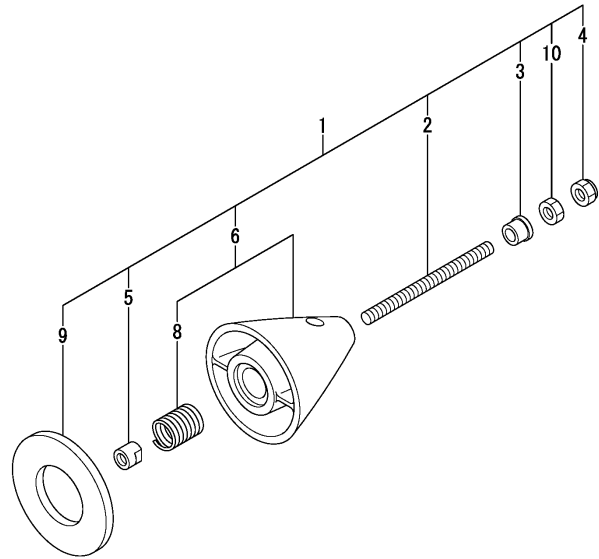


---

Fig.63. (44A)PROPELLER NUT(FOR SD60)(OPTIONAL)

(A)=4JH45  
(B)=4JH57  
(C)=

(D)=  
(E)=  
(F)=

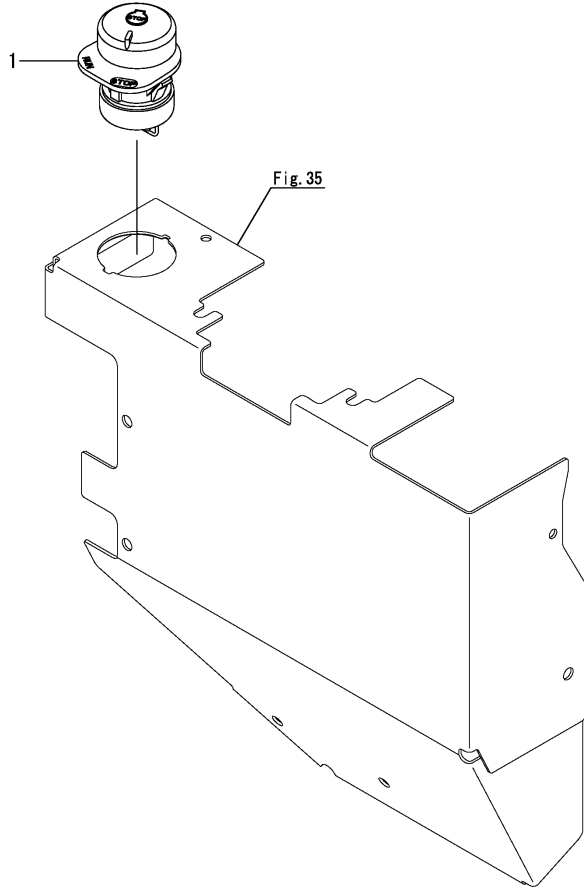


No.	Lev.	Parts No.	Description	Q'ty						I	R
				(A)	(B)	(C)	(D)	(E)	(F)		
1	1	796450-09200	NUT ASSY, PROPELLER	1	1						
2	2	196440-09150	BOLT, M8X105	1	1						
3	2	196440-09160	SPACER	1	1						
4	2	196440-09170	NUT, NYLON	1	1						
5	2	196440-09180	NUT, M8	1	1						
6	2	196440-09200	NUT ASSY, PROPELLER	1	1						
8	3	196440-09220	INSERT, 20X2.0X1.0D	1	1						
9	2	196420-09220	WASHER, PROPELLER	1	1						
10	2	26793-080002	NUT, LOCK M8	1	1						

Fig.45. EMERGENCY STOP SWITCH

(A)=4JH45  
 (B)=4JH57  
 (C)=

(D)=  
 (E)=  
 (F)=



No.	Lev.	Parts No.	Description	Q'ty						I	R
				(A)	(B)	(C)	(D)	(E)	(F)		
1	1	129677-91101	SWITCH, EMERGENCY	1	1						

---

---

---

---

---

---

---

---

---

---

---

---

---

---

---

---

---

---

---

---

---

---

---

---

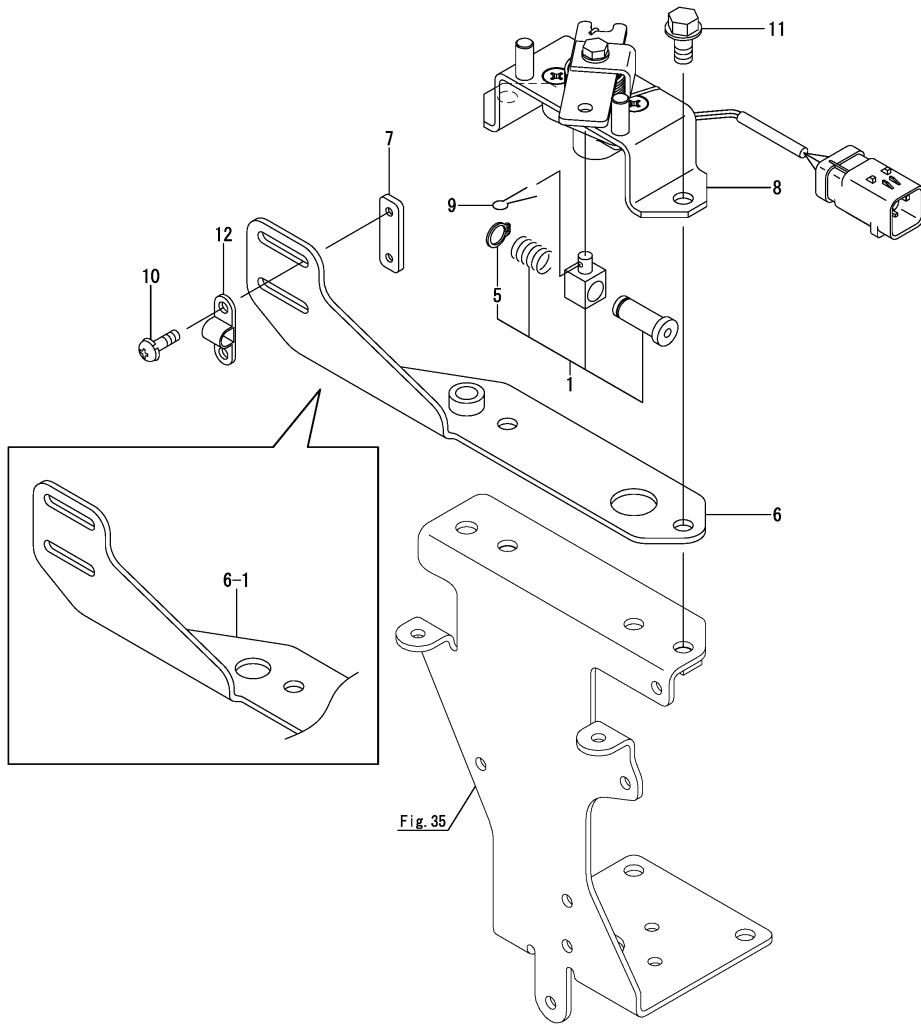
---

---

Fig.48. (45A)SENSOR(THROTTLE)(FOR A15, B25, C35 PANEL)

(A)=4JH45  
(B)=4JH57  
(C)=

(D)=  
(E)=  
(F)=



No.	Lev.	Parts No.	Description	Q'ty						I	R
				(A)	(B)	(C)	(D)	(E)	(F)		
1	1	105311-67200	RETAINER ASSY	1	1						
5	2	22242-000100	RING, 10	1	1						
6	1	129677-77760	BRACKET, SENSOR	1	1						
6-1	1	129677-77761 (A=E10815) (B=E10638)	BRACKET, SENSOR	1	1						S 1
7	1	121574-86320	RETAINER	1	1						
8	1	129677-91851	SENSOR ASSY, ACCEL.	1	1						
9	1	22414-250150	PIN, COTTER 2.5X15	1	1						
10	1	26022-050162	SCREW, M5X16	2	2						
11	1	26106-080162	BOLT, M8X 16 PLATED	2	2						
12	1	41710-000410	CLAMP	1	1						

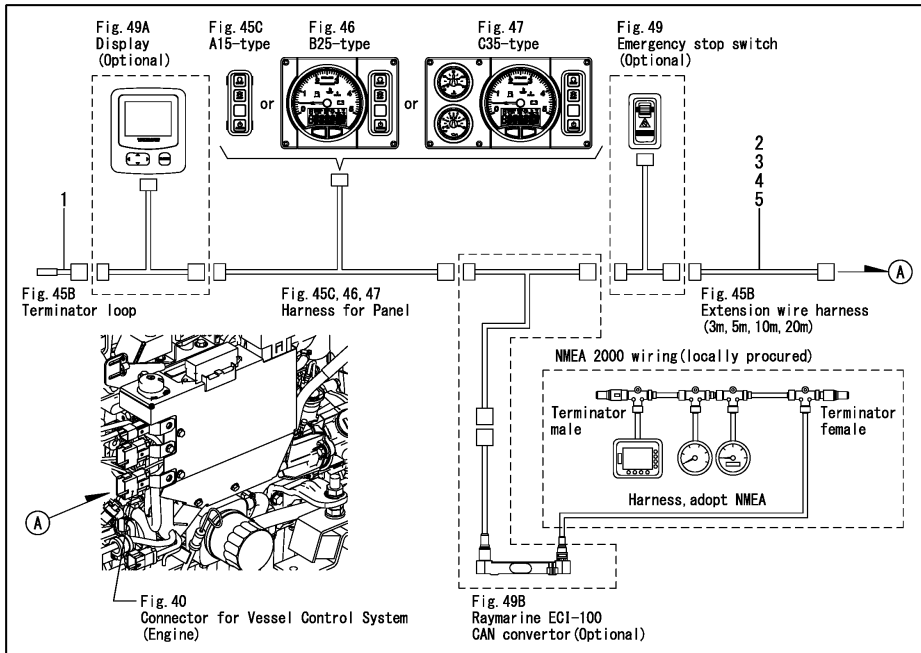
Fig.35

Remarks  
(1)Fig.9 No.11 interchangeable by set.

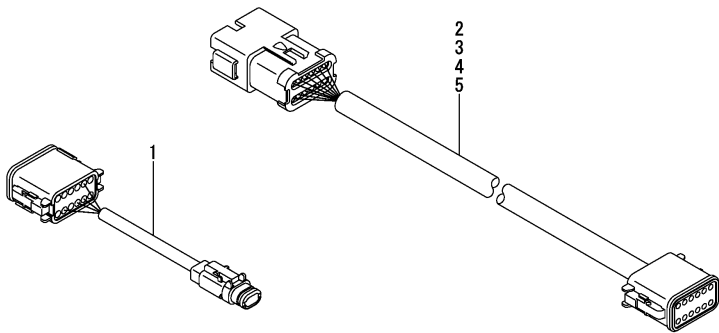
Fig.41. (45B)TERMINAL ADAPTER & EXTENSION HARNESS(FOR A15, B25, C35 PANEL)

(A)=4JH45  
(B)=4JH57  
(C)=

(D)=  
(E)=  
(F)=



No.	Lev.	Parts No.	Description	Q'ty						I	R
				(A)	(B)	(C)	(D)	(E)	(F)		
1	1	164000-29000	ADAPTER, TERMINAL	1	1						
2	1	164000-22210	HARNESS, WIRE 3M	1	1						1
2-1	1	164000-22211	HARNESS, EXT 3M	1	1						N 1
3	1	164000-22220	HARNESS, WIRE 5M	1	1						1
3-1	1	164000-22221	HARNESS, EXT 5M	1	1						N 1
4	1	164000-22230	HARNESS, WIRE 10M	1	1						1
4-1	1	164000-22231	HARNESS, EXT 10M	1	1						N 1
5	1	164000-22240	HARNESS, WIRE 20M	1	1						1
5-1	1	164000-22241	HARNESS, EXT 20M	1	1						N 1

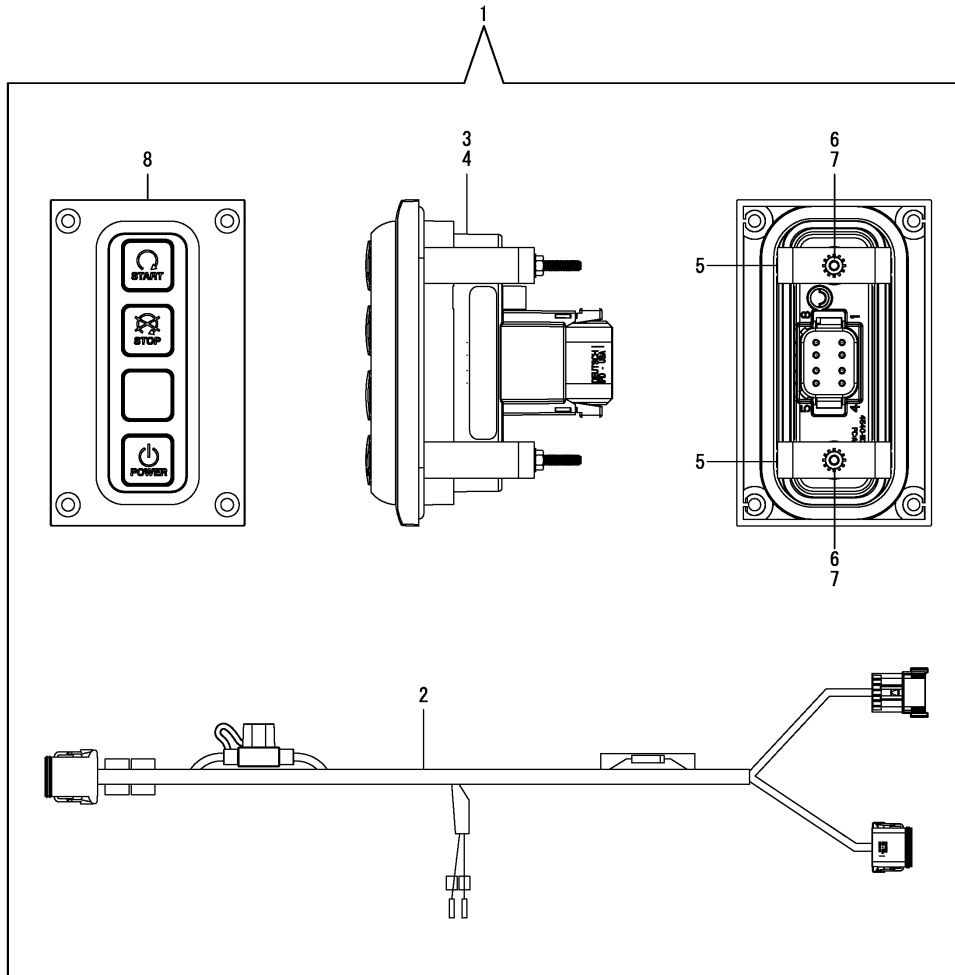


Remarks  
(1) Selective parts.

Fig.64. (45C)INSTRUMENT PANEL(A15)(MEDALLION)

(A)=4JH45  
(B)=4JH57  
(C)=

(D)=  
(E)=  
(F)=

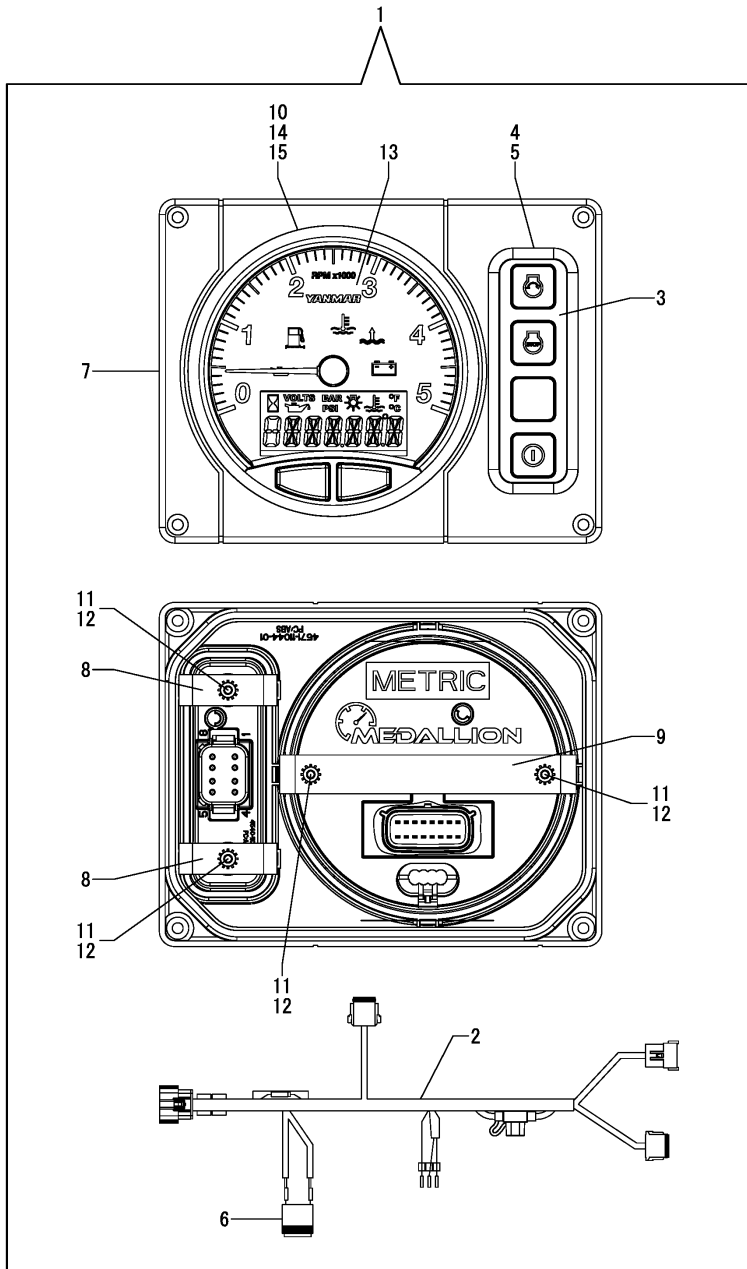


No.	Lev.	Parts No.	Description	Q'ty						I	R
				(A)	(B)	(C)	(D)	(E)	(F)		
1	1	164100-30410	PANEL ASSY, A15	1	1						
1-1	1	164100-30411	PANEL ASSY, A15	1	1						N
		(A=*2016.06.) (B=*2016.06.)									
1-2	1	164100-30412	PANEL ASSY, A15	1	1						N
		(A=E/#17023) (B=E/#17019)									
2	2	164100-21130	HARNES, PANEL EL A	1	1						
3	2	164100-31110	SWITCH, PANEL EL	1	1						
3-1	2	164100-31111	SWITCH, PANEL EL	1	1						N
		(A=*2016.06.) (B=*2016.06.)									
4	2	164100-31150	GASKET, SWITCH MD	1	1						
5	2	164100-39120	BRACKET, SWITCH MD	2	2						
6	2	164100-39180	WASHER, LOCK MD	2	2						
7	2	164100-39190	NUT, M3.5 MD	2	2						
8	2	164100-39400	FRAME	1	1						W
		(A=E/#17023) (B=E/#17019)									

Fig.46. INSTRUMENT PANEL(B25)(MEDALLION)

(A)=4JH45  
(B)=4JH57  
(C)=

(D)=  
(E)=  
(F)=



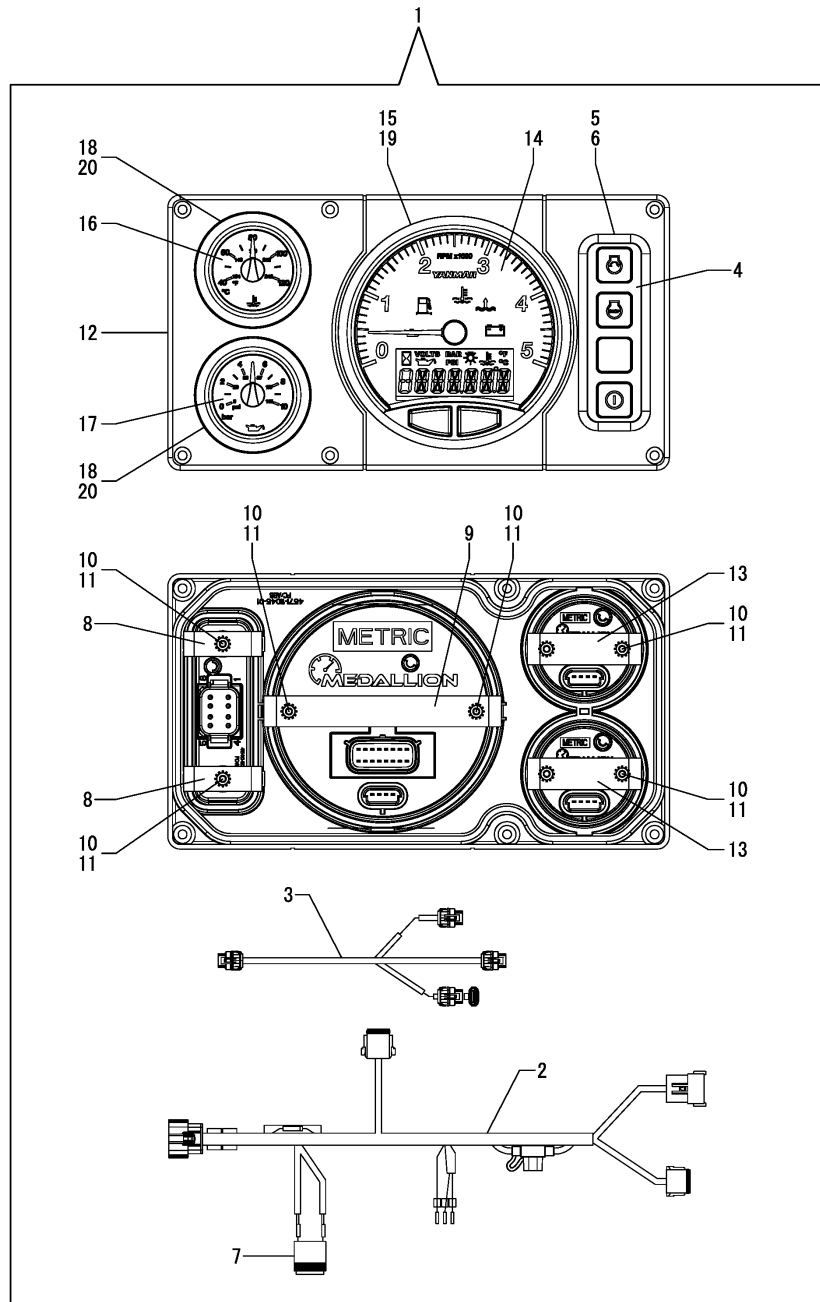
No.	Lev.	Parts No.	Description	Q'ty						I	R
				(A)	(B)	(C)	(D)	(E)	(F)		
1	1	164100-30110	PANEL ASSY, B25	1	1						
1-1	1	164100-30111	PANEL ASSY, B25	1	1						N
		(A=E/#10622) (B=E/#12004)									
1-2	1	164100-30112	PANEL ASSY, B25	1	1						N
		(A=E/#14190) (B=E/#14183)									
1-3	1	164100-30113	PANEL ASSY, B25	1	1						N
		(A=E/#18064) (B=E/#18057)									
2	2	164100-21110	HARNES, PANEL EL	1	1						
3	2	164100-31110	SWITCH, PANEL EL	1	1						
3-1	2	164100-31111	SWITCH, PANEL EL	1	1						N
		(A=E/#10622) (B=E/#12004)									
4	2	164100-31150	GASKET, SWITCH MD	1	1						
5	2	164100-31900	BEZEL, SWITCH BK MD	1	1						
6	2	164100-36100	BUZZER, PANEL	1	1						
7	2	164100-39100	FRAME, PANEL B	1	1						
8	2	164100-39120	BRACKET, SWITCH MD	2	2						
9	2	164100-39131	BRACKET, GAUGE 5 MD	1	1						
10	2	164100-39150	CAP, GAUGE TERMINAL	1	1						
11	2	164100-39180	WASHER, LOCK MD	4	4						
12	2	164100-39190	NUT, M3.5 MD	4	4						
13	2	164100-53110	GAUGE, TACHOMETER	1	1						
13-1	2	164100-53111	GAUGE, TACH LCD 5 EL	1	1						N
		(A=E/#14190) (B=E/#14183)									
13-2	2	164100-53112	GAUGE, TACH LCD 5 EL	1	1						N
		(A=E/#18064) (B=E/#18057)									
14	2	164100-53150	GASKET, GAUGE 5 MD	1	1						
15	2	164100-53900	BEZEL, GAUGE 5 BK MD	1	1						



Fig.47. INSTRUMENT PANEL(C35)(MEDALLION)

(A)=4JH45  
(B)=4JH57  
(C)=

(D)=  
(E)=  
(F)=

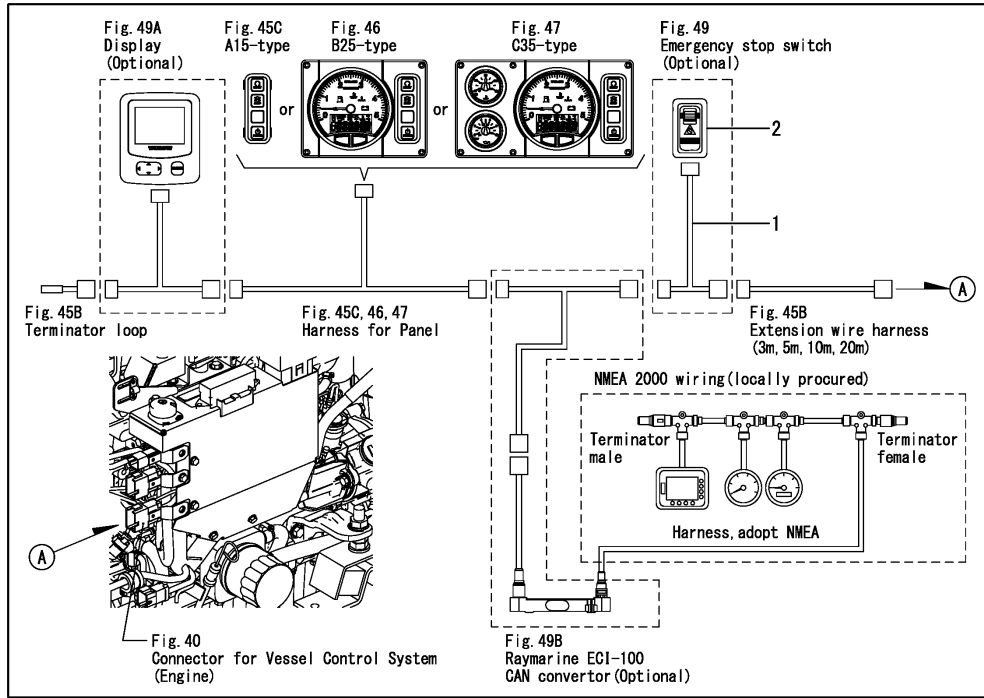


No.	Lev.	Parts No.	Description	Q'ty						I	R
				(A)	(B)	(C)	(D)	(E)	(F)		
1	1	164100-30310	PANEL ASSY, C35	1	1						
1-1	1	164100-30311	PANEL ASSY, C35	1	1						N
		(A=E/#12175) (B=E/#12176)									
1-2	1	164100-30312	PANEL ASSY, C35	1	1						N
		(A=E/#14190) (B=E/#14183)									
1-3	1	164100-30313	PANEL ASSY, C35	1	1						N
		(A=E/#18064) (B=E/#18057)									
2	2	164100-21110	HARNESS, PANEL EL	1	1						
3	2	164100-21200	HARNESS, GAUGE 2	1	1						
4	2	164100-31110	SWITCH, PANEL EL	1	1						
4-1	2	164100-31111	SWITCH, PANEL EL	1	1						N
		(A=E/#12175) (B=E/#12176)									
5	2	164100-31150	GASKET, SWITCH MD	1	1						
6	2	164100-31900	BEZEL, SWITCH BK MD	1	1						
7	2	164100-36100	BUZZER, PANEL	1	1						
8	2	164100-39120	BRACKET, SWITCH MD	2	2						
9	2	164100-39131	BRACKET, GAUGE 5 MD	1	1						
10	2	164100-39180	WASHER, LOCK MD	8	8						
11	2	164100-39190	NUT, M3.5 MD	8	8						
12	2	164100-39200	FRAME, PANEL C	1	1						
13	2	164100-39230	BRACKET, GAUGE 2 MD	2	2						
14	2	164100-53110	GAUGE, TACHOMETER	1	1						
14-1	2	164100-53111	GAUGE, TACH LCD 5 EL	1	1						N
		(A=E/#14190) (B=E/#14183)									
14-2	2	164100-53112	GAUGE, TACH LCD 5 EL	1	1						N
		(A=E/#18064) (B=E/#18057)									
15	2	164100-53150	GASKET, GAUGE 5 MD	1	1						
16	2	164100-53200	GAUGE, TEMPERATURE	1	1						
17	2	164100-53210	GAUGE, 2 MD	1	1						
18	2	164100-53250	GASKET, GAUGE 2 MD	2	2						
19	2	164100-53900	BEZEL, GAUGE 5 BK MD	1	1						
20	2	164100-53920	BEZEL, GAUGE 2 BK MD	2	2						

Fig.49. EMERGENCY STOP SWITCH(FOR A15, B25, C35 PANEL)(OPTIONAL)

(A)=4JH45  
(B)=4JH57  
(C)=

(D)=  
(E)=  
(F)=



No.	Lev.	Parts No.	Description	Q'ty						I	R
				(A)	(B)	(C)	(D)	(E)	(F)		
1	1	164000-21301	HARNES, WIRE E-STOP	1	1						
1-1	1	164000-21302	HARNES, WIRE E-STOP	1	1						N
				(A=*2016.11.)		(B=*2016.11.)					
2	1	164100-31500	PANEL,E-STOP	1	1						

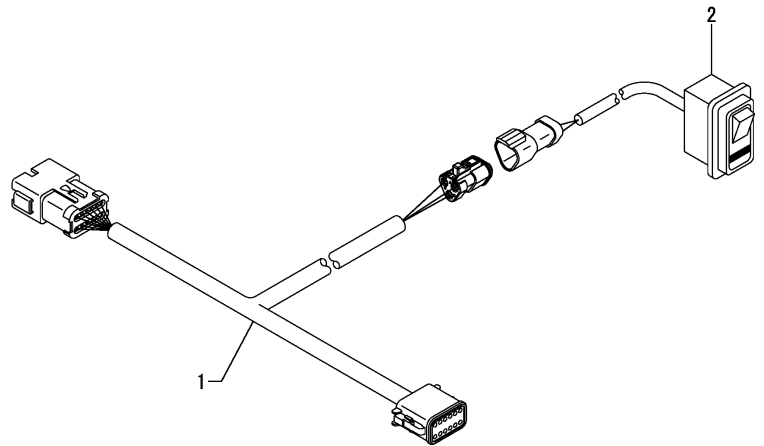
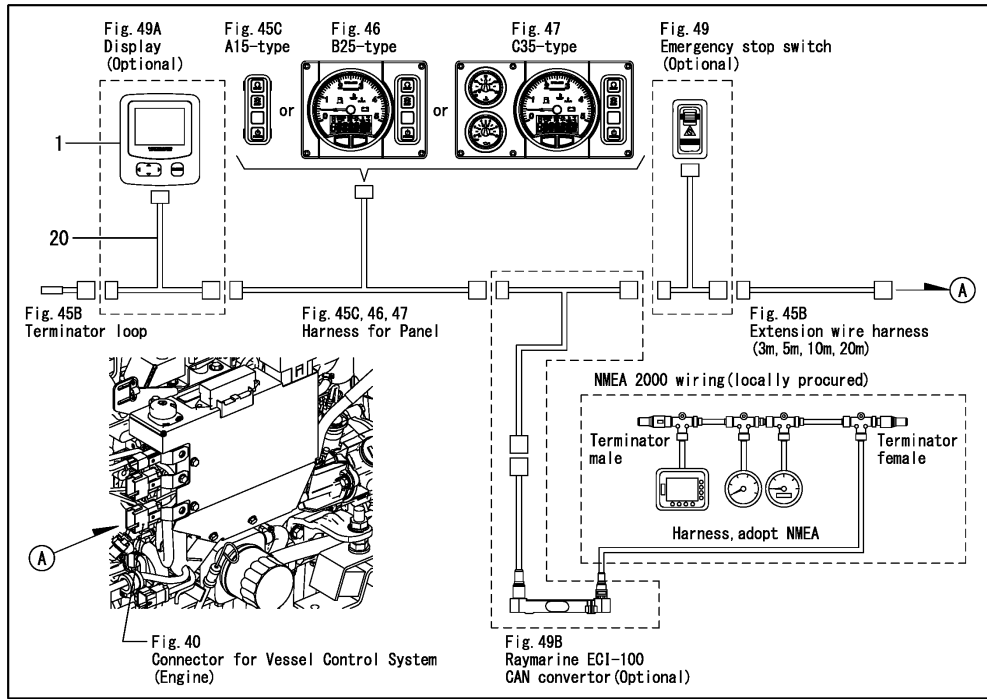


Fig.65. (49A)DISPLAY(FOR A15, B25, C35 PANEL)(OPTIONAL)

(A)=4JH45  
(B)=4JH57  
(C)=

(D)=  
(E)=  
(F)=



No.	Lev.	Parts No.	Description	Q'ty						I	R
				(A)	(B)	(C)	(D)	(E)	(F)		
1	1	164000-51047	DISPLAY ASSY,VC10-2	1	1						
1-1	1	164000-51048	DISPLAY ASSY,VC10-2	1	1						N
(A=*2018.09)											
1-2	1	164000-51049	DISPLAY ASSY,VC10-2	1	1						N
(A=E/#15805) (B=E/#15724)											
1-3	1	164000-51070	DISPLAY ASSY,VC10-2	1	1						N
(A=E/#17326) (B=E/#17504)											
2	2	164000-37360	NUT, PLASTIC M4	4	4						
3	2	164000-51020	DISPLAY ASSY, VC10	1	1						
16	2	164000-51031	COVER,DISPLAY	1	1						
17	2	164000-51110	GASKET, SPACER	1	1						
18	2	164000-51211	SPACER, DISPLAY	1	1						
19	2	164000-51310	STUD, M4X50	4	4						
20	1	164000-21340	HARNESS, WIRE	1	1						

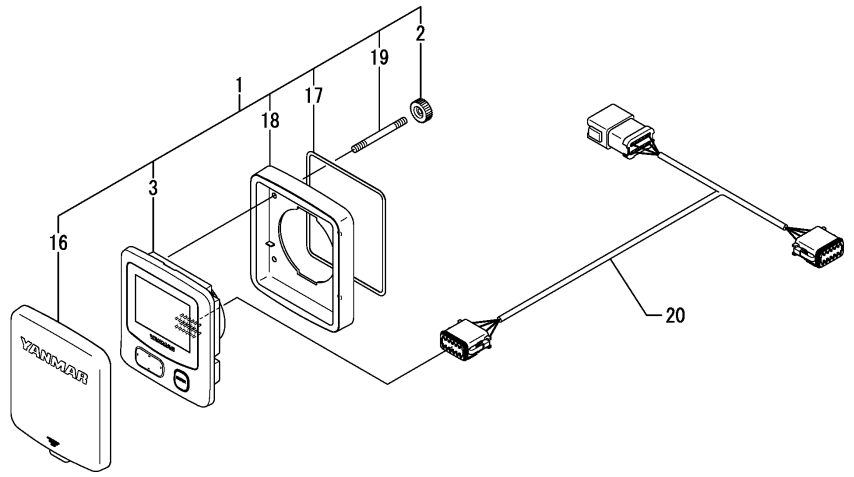
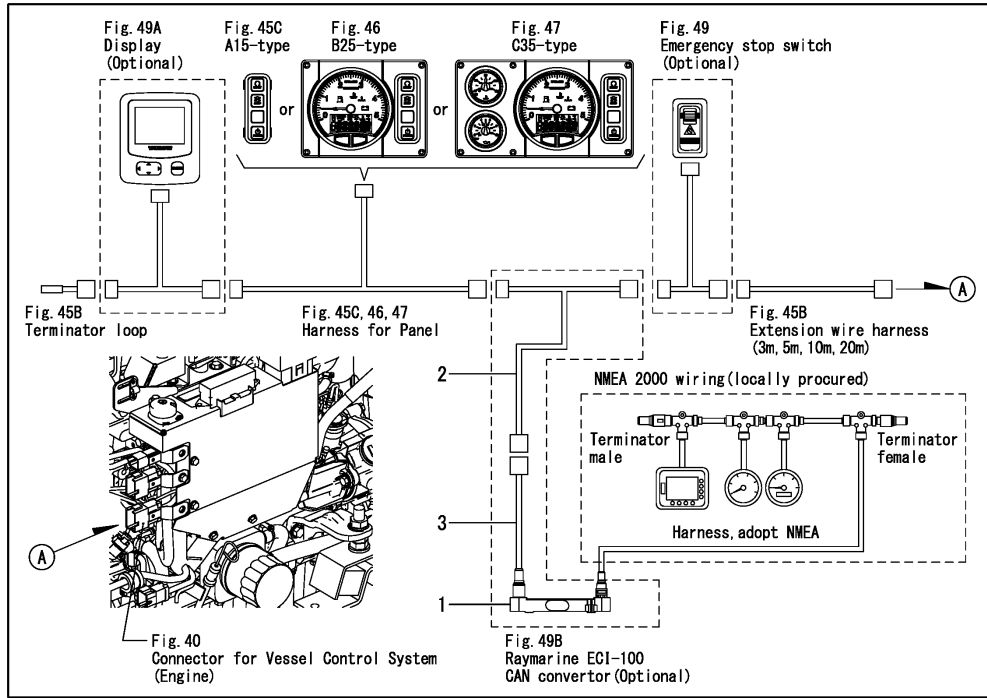


Fig.66. (49B)CAN CONVERTOR(FOR A15, B25, C35 PANEL)(OPTIONAL)

(A)=4JH45  
(B)=4JH57  
(C)=

(D)=  
(E)=  
(F)=



No.	Lev.	Parts No.	Description	Q'ty						I	R
				(A)	(B)	(C)	(D)	(E)	(F)		
1	1	164000-17000	CONVERTER, CAN	1	1						
2	1	164000-21350	HARNES, WIRE	1	1						
3	1	164000-24801	CABLE,CAN A	1	1						

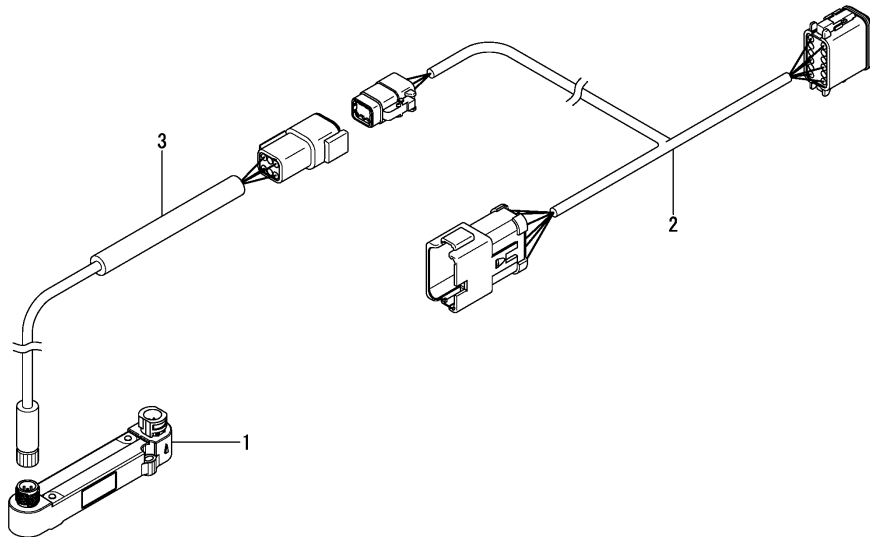
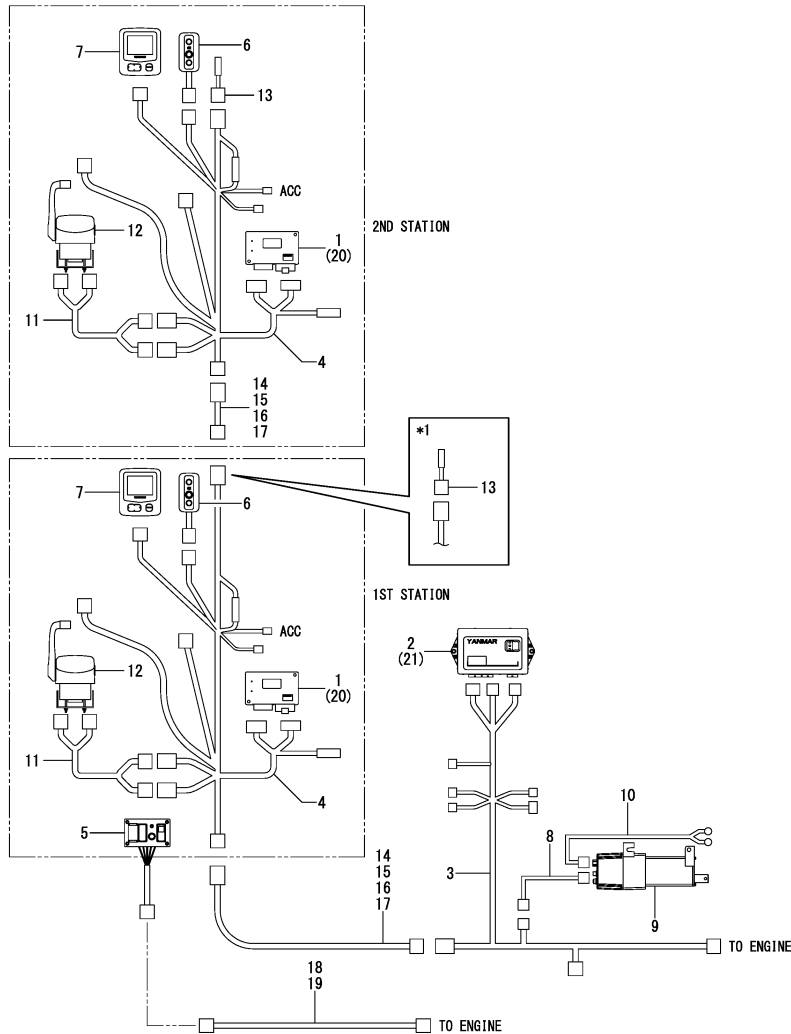


Fig.67. (49C)VC10(SINGLE ENGINE)(OPTIONAL)

(A)=4JH45  
(B)=4JH57  
(C)=

(D)=  
(E)=  
(F)=



No.	Lev.	Parts No.	Description	Q'ty						I	R
				(A)	(B)	(C)	(D)	(E)	(F)		
1	1	164000-10000	CONTROLLER ASSY	2	2						1
2	1	164000-10830	CONTROLLER ASSY,JH	1	1						1
3	1	164000-21321	HARNESS,WIRE DRIVE C	1	1						
4	1	164000-21501	HARNESS,HELM EPS	2	2						
5	1	164000-30012	PANEL ASSY,BACK UP	1	1						3
6	1	164000-37011	PANEL, SWITCH	2	2						3
7	1	164000-51047	DISPLAY ASSY,VC10-2	2	2						3
7-1	1	164000-51048	DISPLAY ASSY,VC10-2	1	1						N 3
		(A=*2018.09) (B=*2018.09)									
7-2	1	164000-51049	DISPLAY ASSY,VC10-2	1	1						N 3
		(A=E/#15805) (B=E/#15724)									
7-3	1	164000-51070	DISPLAY ASSY,VC10-2	1	1						N 3
		(A=E/#17326) (B=E/#17504)									
8	1	164000-24801	CABLE,CAN A	1	1						
9	1	164000-44000	ACTUATOR, SHIFT	1	1						
10	1	164000-21400	HARNESS,SHIFTACT PWR	1	1						
11	1	164000-21220	HARNESS, WIRE	2	2						
12	1	164000-41010	HEAD, CONTROL	2	2						
13	1	164000-29000	ADAPTER, TERMINAL	1	1						
14	1	164000-22211	HARNESS, EXT 3M	2	2						4
15	1	164000-22221	HARNESS, EXT 5M	2	2						4
16	1	164000-22231	HARNESS, EXT 10M	2	2						4
17	1	164000-22241	HARNESS, EXT 20M	2	2						4
18	1	164000-22260	HARNESS, WIRE 5M	1	1						4
19	1	164000-22270	HARNESS, WIRE 10M	1	1						4
20	1	164000-10210	CONTROLLER ASSY	2	2						2
21	1	164000-10200	CONTROLLER ASSY	1	1						2

Remarks

\*1. For single station, be sure to connect No.16 Adapter, terminal here.

(1)Eco Controller

This part cannot be ordered.

Spare the part using a Service Controller with the proper engine information installed.

(2)Service Controller

If the proper information is not installed, the engine will not operate.

To install proper information, go to an authorized distributor.

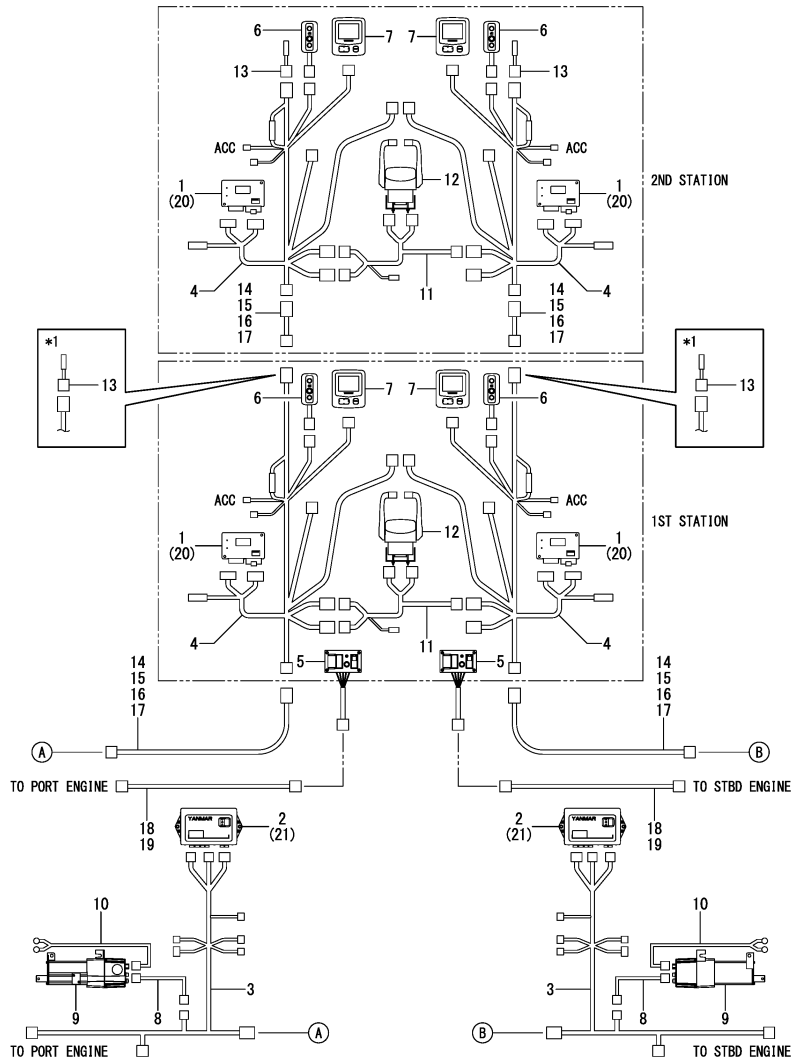
(3)Inner parts are shown in Fig.69(49E).

(4)Selective parts.

Fig.68. (49D)VC10(TWIN ENGINE)(OPTIONAL)

(A)=4JH45  
(B)=4JH57  
(C)=

(D)=  
(E)=  
(F)=



No.	Lev.	Parts No.	Description	Q'ty						I	R
				(A)	(B)	(C)	(D)	(E)	(F)		
1	1	164000-10000	CONTROLLER ASSY	4	4						1
2	1	164000-10830	CONTROLLER ASSY,JH	2	2						1
3	1	164000-21321	HARNESS,WIRE DRIVE C	2	2						
4	1	164000-21501	HARNESS,HELM EPS	4	4						
5	1	164000-30012	PANEL ASSY,BACK UP	2	2						3
6	1	164000-37011	PANEL, SWITCH	4	4						3
7	1	164000-51047	DISPLAY ASSY,VC10-2	4	4						3
7-1	1	164000-51048	DISPLAY ASSY,VC10-2	1	1						N 3
		(A=*2018.09) (B=*2018.09)									
7-2	1	164000-51049	DISPLAY ASSY,VC10-2	1	1						N 3
		(A=E/#15805) (B=E/#15724)									
7-3	1	164000-51070	DISPLAY ASSY,VC10-2	1	1						N 3
		(A=E/#17326) (B=E/#17504)									
8	1	164000-24801	CABLE,CAN A	2	2						
9	1	164000-44000	ACTUATOR, SHIFT	2	2						
10	1	164000-21400	HARNESS,SHIFTACT PWR	2	2						
11	1	164000-21212	HARNESS,WIRE CH	2	2						
12	1	164000-41030	HEAD, CONTROL	2	2						
13	1	164000-29000	ADAPTER, TERMINAL	2	2						
14	1	164000-22211	HARNESS, EXT 3M	4	4						4
15	1	164000-22221	HARNESS, EXT 5M	4	4						4
16	1	164000-22231	HARNESS, EXT 10M	4	4						4
17	1	164000-22241	HARNESS, EXT 20M	4	4						4
18	1	164000-22260	HARNESS, WIRE 5M	2	2						4
19	1	164000-22270	HARNESS, WIRE 10M	2	2						4
20	1	164000-10210	CONTROLLER ASSY	4	4						2
21	1	164000-10200	CONTROLLER ASSY	2	2						2

Remarks

\*1. For single station, be sure to connect No.16 Adapter, terminal here.

(1)Eco Controller

This part cannot be ordered.

Spare the part using a Service Controller with the proper engine information installed.

(2)Service Controller

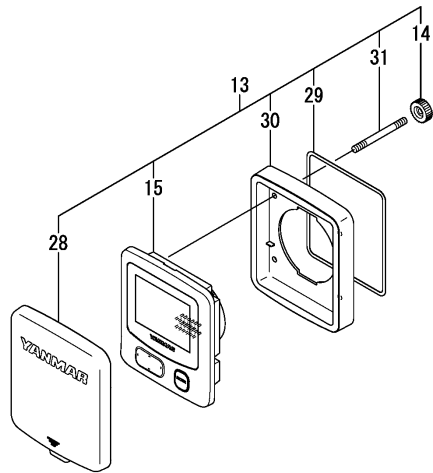
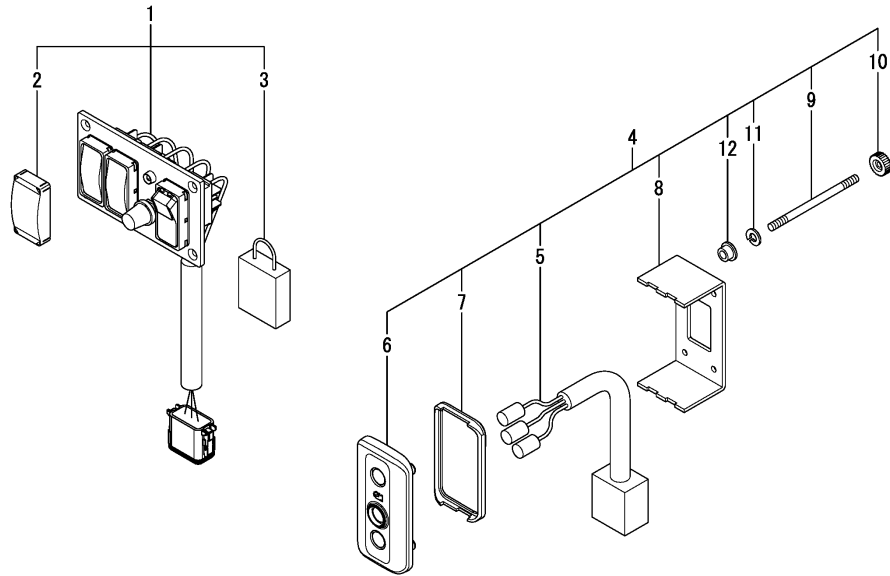
If the proper information is not installed, the engine will not operate.

To install proper information, go to an authorized distributor.

(3)Inner parts are shown in Fig.69(49E).

(4)Selective parts.

Fig.69. (49E)VC10(DISPLAY & PANEL)(INNER PARTS)



(A)=4JH45  
(B)=4JH57  
(C)=

(D)=  
(E)=  
(F)=

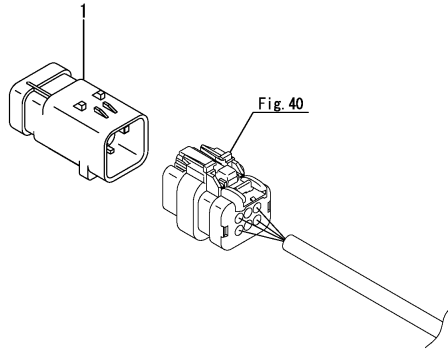
No.	Lev.	Parts No.	Description	Q'ty						I	R
				(A)	(B)	(C)	(D)	(E)	(F)		
1	1	164000-30012	PANEL ASSY,BACK UP	1	1						
2	2	164000-29020	COVER, SWITCH	1	1						
3	2	164000-29050	JUMPER, STOP	1	1						
4	1	164000-37011	PANEL, SWITCH	1	1						
5	2	164000-29010	HARNESS, WIRE	1	1						
6	2	164000-37021	FRAME, SWITCH PANEL	1	1						
7	2	164000-37110	GASKET, SWITCH PANEL	1	1						
8	2	164000-37210	RETAINER, PANEL	1	1						
9	2	164000-37310	STUD, M4X70	4	4						
10	2	164000-37360	NUT, PLASTIC M4	4	4						
11	2	164000-37410	WASHER, SPRING 4	4	4						
12	2	164000-37460	COLLAR, PLASTIC 4	4	4						
13	1	164000-51047	DISPLAY ASSY,VC10-2	1	1						
13-1	1	164000-51048	DISPLAY ASSY,VC10-2	1	1						N
		(A=*2018.09)	(B=*2018.09)								
13-2	1	164000-51049	DISPLAY ASSY,VC10-2	1	1						N
		(A=E/#15805)	(B=E/#15724)								
13-3	1	164000-51070	DISPLAY ASSY,VC10-2	1	1						N
		(A=E/#17326)	(B=E/#17504)								
14	2	164000-37360	NUT, PLASTIC M4	4	4						
15	2	164000-51020	DISPLAY ASSY, VC10	1	1						
28	2	164000-51031	COVER,DISPLAY	1	1						
29	2	164000-51110	GASKET, SPACER	1	1						
30	2	164000-51211	SPACER, DISPLAY	1	1						
31	2	164000-51310	STUD, M4X50	4	4						

Fig.70. (49F)CAP(THROTTLE CONNECTOR)(FOR VC10)

(A)=4JH45  
(B)=4JH57  
(C)=

(D)=  
(E)=  
(F)=

No.	Lev.	Parts No.	Description	Q'ty						I	R
				(A)	(B)	(C)	(D)	(E)	(F)		
1	1	129677-77170	CONNECTOR ASSY	1	1						1



Remarks

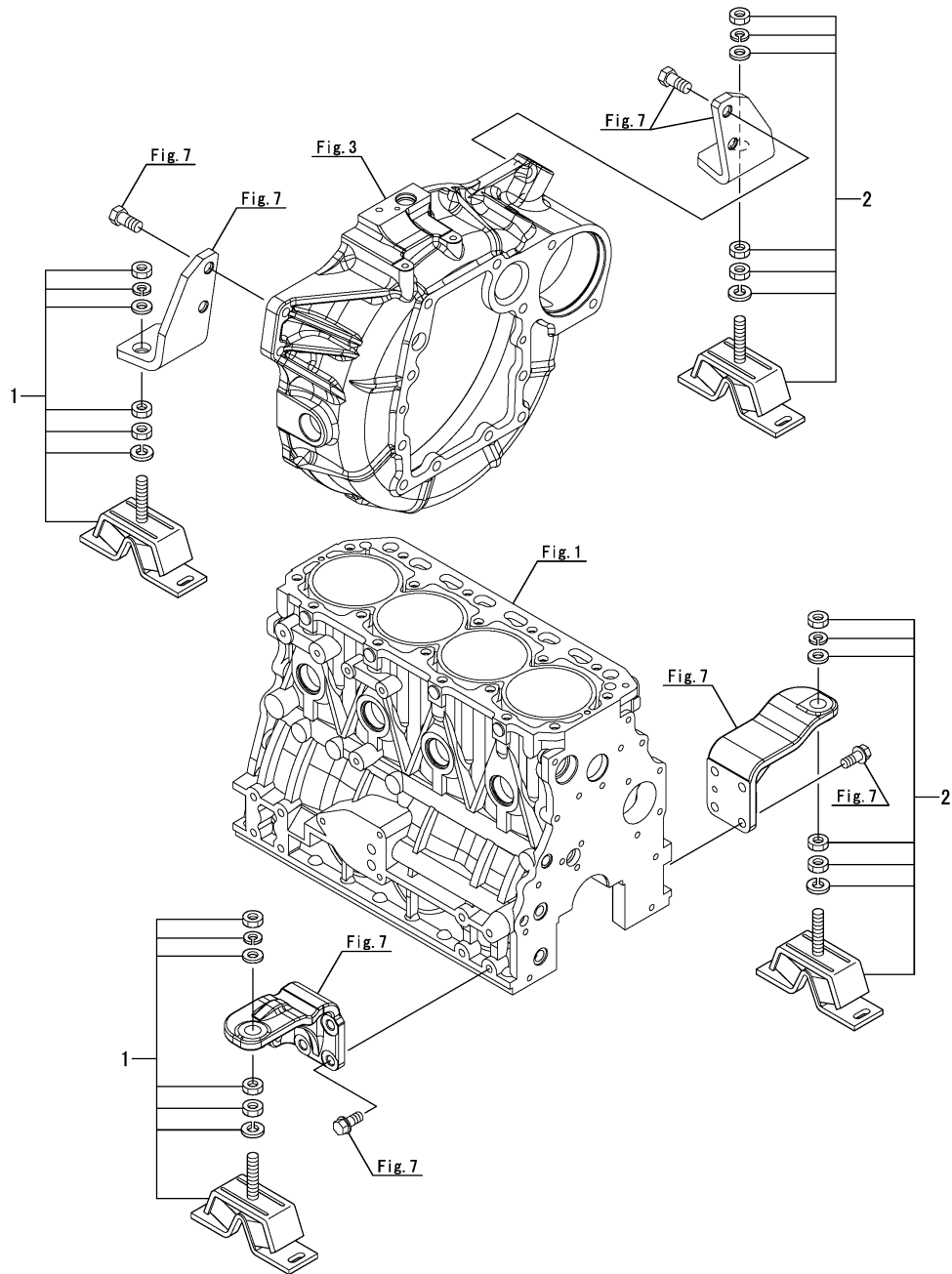
(1) Since the throttle sensor in Fig.48(45A) is not used in the VC10 specification, this part is attached as a waterproof cap of the throttle sensor connector of Fig.40 No.8 wire harness.



Fig.71. (49G)FLEXIBLE MOUNT(FOR KM4A1, KM35A2, KM35P, ZF, CLUTCHLESS)

(A)=4JH45  
(B)=4JH57  
(C)=

(D)=  
(E)=  
(F)=



No.	Lev.	Parts No.	Description	Q'ty						I	R
				(A)	(B)	(C)	(D)	(E)	(F)		
1	1	129670-08341	MOUNT, FLEXIBLE 150	2	2						
2	1	129670-08351	MOUNT, FLEXIBLE 200	2	2						

Fig.72. (49H)FLEXIBLE MOUNT(FOR SD60)

(A)=4JH45  
(B)=4JH57  
(C)=

(D)=  
(E)=  
(F)=

No.	Lev.	Parts No.	Description	Q'ty						I	R
				(A)	(B)	(C)	(D)	(E)	(F)		
1	1	129670-08390	MOUNT ASSY, FLEXIBLE	2	2						

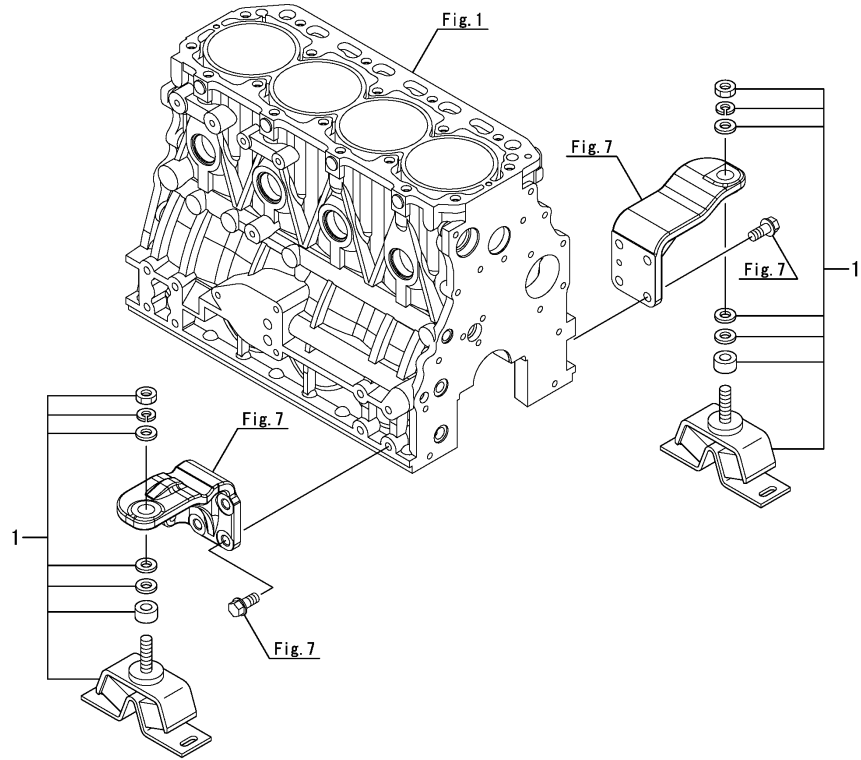


Fig.51. LABEL(SAFETY)(BUNDLED ITEMS)

(A)=4JH45  
(B)=4JH57  
(C)=

(D)=  
(E)=  
(F)=

No.	Lev.	Parts No.	Description	Q'ty						I	R
				(A)	(B)	(C)	(D)	(E)	(F)		
1	1	128377-07190	LABEL, LOOSE PARTS	1	1						
1-1	1	128296-07190	LABEL, LOOSE PARTS	1	1						R
		(A=E10815) (B=E10638)									
2	2	128377-07400	LABEL, DANGER	2	2						
2-1	2	128296-07400	LABEL, DANGER	2	2						R
		(A=E10815) (B=E10638)									
3	2	128377-07420	LABEL, DANGER	1	1						
3-1	2	128296-07420	LABEL, DANGER	1	1						R
		(A=E10815) (B=E10638)									
4	2	128377-07450	LABEL, CAUTION	1	1						
4-1	2	128296-07450	LABEL, CAUTION	1	1						R
		(A=E10815) (B=E10638)									
5	2	128377-07460	LABEL, CAUTION	1	1						
5-1	2	128296-07460	LABEL, OPERATION	1	1						R
		(A=E10815) (B=E10638)									

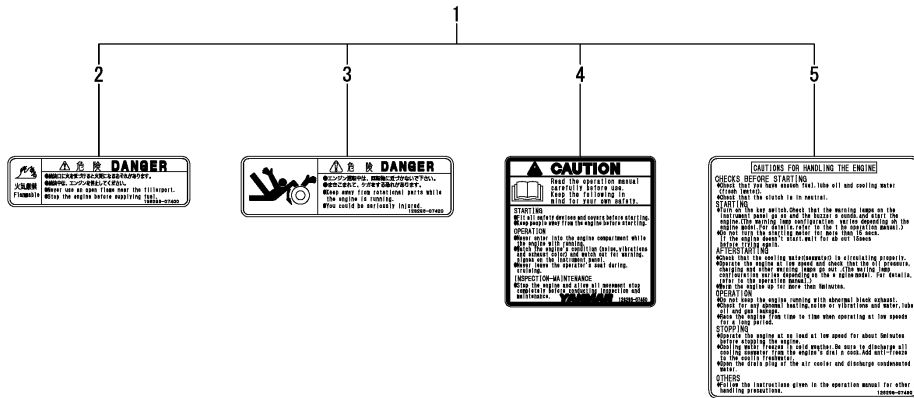
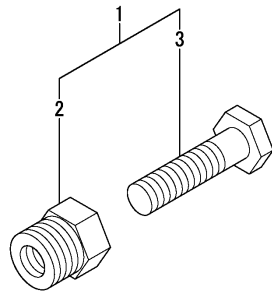


Fig.50. (51A)TOOL

(A)=4JH45  
(B)=4JH57  
(C)=

(D)=  
(E)=  
(F)=



No.	Lev.	Parts No.	Description	Q'ty						I	R
				(A)	(B)	(C)	(D)	(E)	(F)		
1	1	129671-92110	TOOL ASSY, IMPELLER	1	1						
2	2	129671-92120	PULLER	1	1						
3	2	129671-92130	BOLT, M10X40	1	1						

Fig.52. REMOTE CONTROL HEAD(OPTIONAL)

(A)=4JH45  
(B)=4JH57  
(C)=

(D)=  
(E)=  
(F)=

No.	Lev.	Parts No.	Description	Q'ty						I	R
				(A)	(B)	(C)	(D)	(E)	(F)		
1	1	128170-86501	REMOCON HEAD (MN	1	1						
2	1	41730-000681	CONTROL, MT-3	1	1						

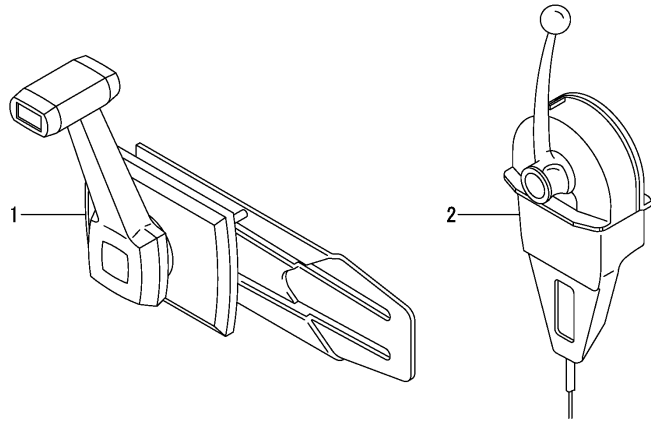
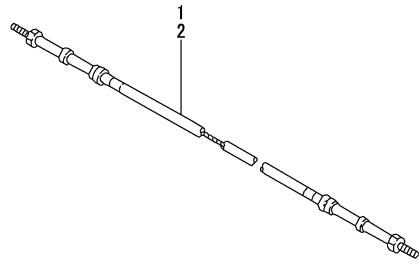


Fig.53. REMOTE CONTROL CABLE(OPTIONAL)

(A)=4JH45  
(B)=4JH57  
(C)=

(D)=  
(E)=  
(F)=

No.	Lev.	Parts No.	Description	Q'ty						I	R
				(A)	(B)	(C)	(D)	(E)	(F)		
1	1	27730-301400	CABLE, REMO-CON	2	2						1
2	1	129470-86500	CABLE, L=7000	2	2						2

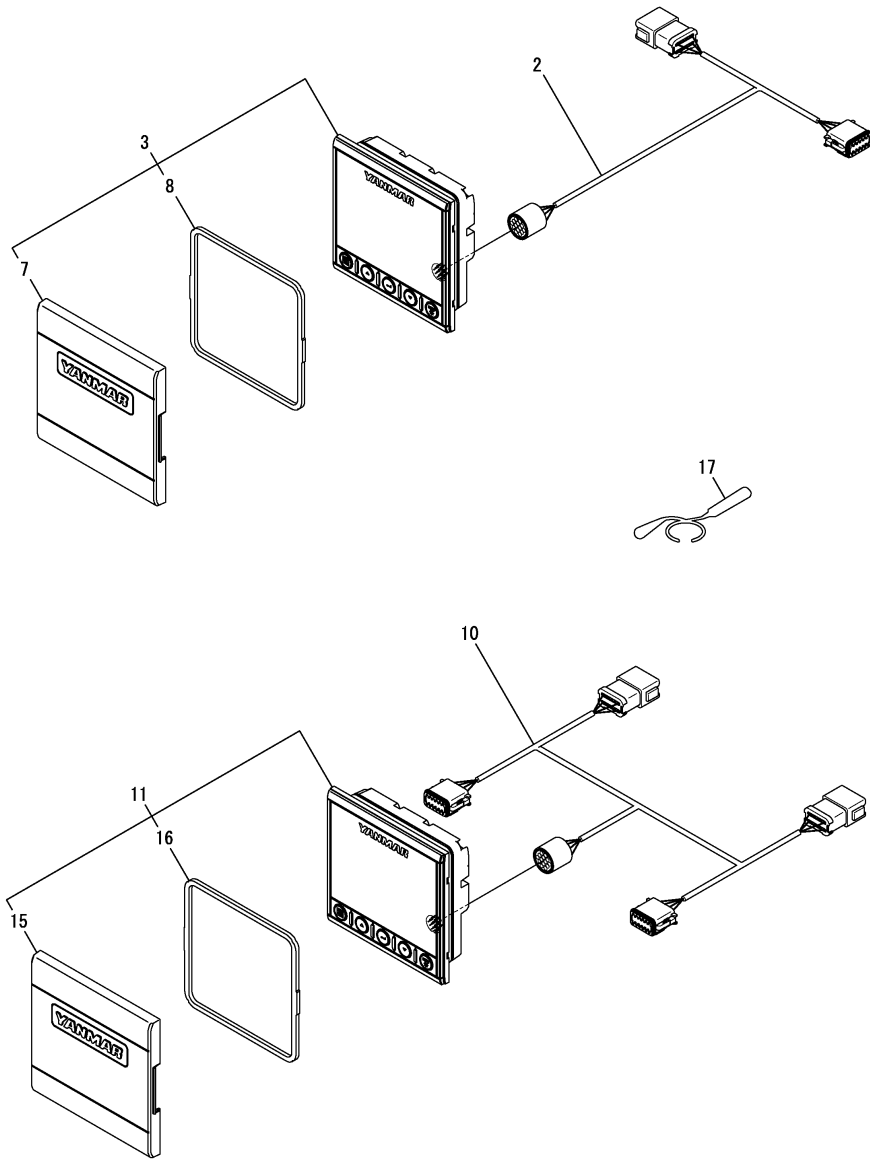


Remarks  
(1)4m.  
(2)7m.

Fig.74. DISPLAY(YD42)

(A)=4JH45  
(B)=4JH57  
(C)=

(D)=  
(E)=  
(F)=

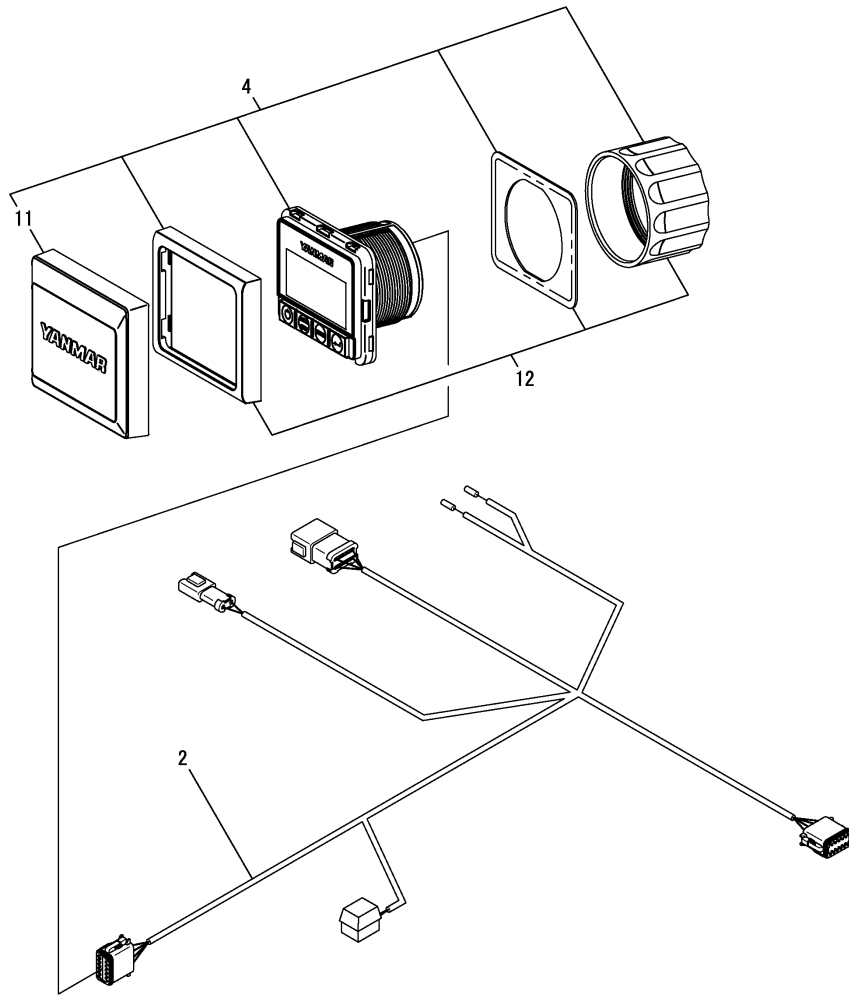


No.	Lev.	Parts No.	Description	Q'ty						I	R
				(A)	(B)	(C)	(D)	(E)	(F)		
2	2	164100-21300	HARNES, YD42 SINGLE	1	1						1
3	2	164100-51400	DISPLAY KIT, YD42	1	1						
7	3	164100-51420	COVER, FRONT	1	1						
8	3	164100-51430	BEZEL, YD42	1	1						
10	2	164100-21310	HARNES, YD42 TWIN	1	1						2
11	2	164100-51400	DISPLAY KIT, YD42	1	1						
15	3	164100-51420	COVER, FRONT	1	1						
16	3	164100-51430	BEZEL, YD42	1	1						
17	1	164100-17000	DEVICE, FUEL DATA M	1	1						

Remarks

- (1) Single engine / twin engine PORT specification.
- (2) Twin engine single display / twin engine STB specification.

Fig.75. DISPLAY(YD25)



(A)=4JH45  
(B)=4JH57  
(C)=

(D)=  
(E)=  
(F)=

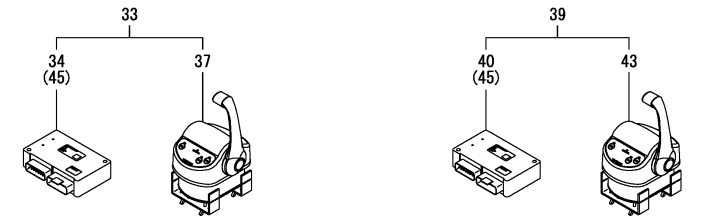
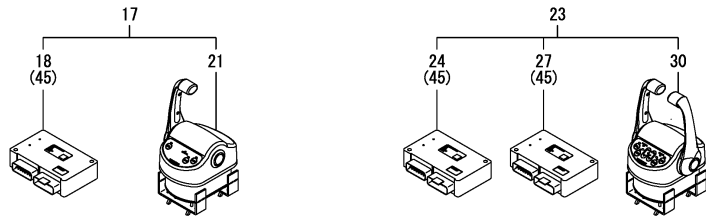
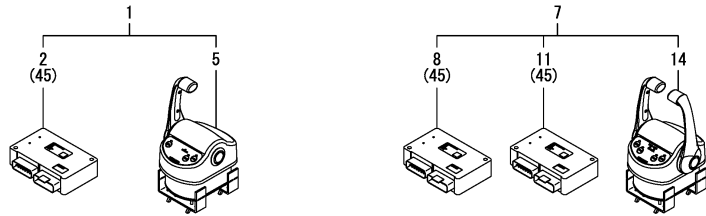
No.	Lev.	Parts No.	Description	Q'ty						I	R
				(A)	(B)	(C)	(D)	(E)	(F)		
2	2	164100-21030	HARNES,YD25	1	1						
4	2	164100-30000	PANEL ASSY,YD25	1	1						
11	3	164100-39040	COVER,YD25	1	1						
12	1	164100-30090	MOUNT KIT,YD25	1	1						



Fig.76. CONTROL HEAD KIT

(A)=4JH45  
(B)=4JH57  
(C)=

(D)=  
(E)=  
(F)=



No.	Lev.	Parts No.	Description	Q'ty						I	R
				(A)	(B)	(C)	(D)	(E)	(F)		
1	1	164000-40010	CONTROL HEAD KIT,IS	1	1						W
		(A=E/#15805) (B=E/#15724)									
2	2	164000-10020	CONTROLLER ASSY	1	1						1
5	2	164000-41010	HEAD, CONTROL	1	1						
7	1	164000-40030	CONTROL HEAD KIT,IT	1	1						W
		(A=E/#15805) (B=E/#15724)									
8	2	164000-10020	CONTROLLER ASSY	1	1						1
11	2	164000-10030	CONTROLLER ASSY	1	1						1
14	2	164000-41030	HEAD, CONTROL	1	1						
17	1	164000-40040	CONTROL HEAD KIT,DS	1	1						W
		(A=E/#15805) (B=E/#15724)									
18	2	164000-10020	CONTROLLER ASSY	1	1						1
21	2	164000-41040	HEAD, CONTROL	1	1						
23	1	164000-40050	CONTROL HEAD KIT,DT	1	1						W
		(A=E/#15805) (B=E/#15724)									
24	2	164000-10020	CONTROLLER ASSY	1	1						1
27	2	164000-10030	CONTROLLER ASSY	1	1						1
30	2	164000-41050	HEAD, CONTROL	1	1						
33	1	164000-40080	CONTROL HEAD KIT,IR	1	1						W
		(A=E/#15805) (B=E/#15724)									
34	2	164000-10020	CONTROLLER ASSY	1	1						1
37	2	164000-41080	CONTROL HEAD, I S T R	1	1						
39	1	164000-40090	CONTROL HEAD KIT,DR	1	1						W
		(A=E/#15805) (B=E/#15724)									
40	2	164000-10020	CONTROLLER ASSY	1	1						1
43	2	164000-41090	CONTROL HEAD,SD S RU	1	1						
45	1	164000-10210	CONTROLLER ASSY	1	1						2

Remarks

(1)Eco Controller.  
This part cannot be ordered.  
Replace the part with a Service Controller with the proper information installed.  
(2)Service Controller.  
If the proper information is not installed, it will not operate.  
To install proper information, go to an authorized distributor.

## Parts No. Index

Parts No.	Fig. No.	Ref. No.
101304-59020	33	12
105311-67200	48	1
105430-67110	12	7
119172-55800	33	3
119172-55801	33	3 -1
119172-55810	33	10
119172-55811	33	10 -1
119175-91050	35	26
119175-91510	73	23
119187-39700	32	2
119578-75610	40	2
119578-77080	37	3
119578-77200	37	4
119578-77680	59	11
119578-91300	40	30
119578-91351	59	13
119609-32040	2	6
119620-01750	3	3
119620-49290	19	40
	24	15
119624-32040	2	7
119640-61400	11	16
119773-42570	21	16
119773-77030	40	3
		4
119802-11260	10	3
119802-11270	10	4
119802-13590	2	26
119802-25071	16	29
119802-49730	34	5
119803-21200	17	5
119807-11770	39	7
	60	7
119865-21600	17	15
119934-01800	2	21
120130-11860	10	40
120270-54410	10	31
120322-33050	24	11
120650-42350	21	21
120650-42380	21	20
120650-42420	21	18
120662-77530	73	21
121111-21501	17	11
121252-39450	19	46
121400-11340	10	25
121450-01560	2	2
	21	1
121550-23200	18	16
121574-86320	48	7
121575-49310	39	8

Parts No.	Fig. No.	Ref. No.
121575-49310	60	8
	73	16
121850-03050	73	3
121850-21680	17	10
121857-55630	33	4
121857-55710	33	8
121857-55730	33	7
121857-55740	33	9
121857-55750	33	5
121857-55760	33	6
122780-59100	31	9
123325-49421	15	5
123682-07852	6	1
123907-03100	11	5
123907-03110	11	6
123907-03120	11	7
123907-03140	11	8
124060-01050	1	12
124085-35350	19	23 -1
124160-01751	2	4
	11	1
124160-01910	1	13
		14
124160-11360	11	21
124195-77770	36	23
124240-01871	2	10
		14
		22
124398-49700	5	2
	73	17
124460-11340	10	26
124976-34850	1	39
126630-91601	59	14
127605-11370	11	13
127610-39350	32	3
127677-77060	37	2
127677-77330	40	10
127677-77760	37	8
127687-39360	32	4
128170-86501	52	1
128296-07190	51	1 -1
128296-07400	51	2 -1
128296-07420	51	3 -1
128296-07450	51	4 -1
128296-07460	51	5 -1
128377-07150	6	4
	13	2
128377-07190	51	1
128377-07350	8	2
128377-07400	51	2

Parts No.	Fig. No.	Ref. No.
128377-07420	51	3
128377-07450	51	4
128377-07460	51	5
128397-44500	24	27
128397-44510	24	29
128790-77580	39	11
	60	12
128990-07270	6	5
128990-07900	6	2
128990-34900	6	7
128990-49320	29	5
128990-49400	29	4
128990-59900	33	16
128990-77250	38	1
	39	1
128990-77430	61	1
	13	6
	37	5
		13
128990-77441	8	4
	9	3
		16
	35	22
128990-77510	8	9
	9	9
		20
128990-77600	8	5
	9	4
		17
	35	23
		45
128990-77610	37	7
		15
128990-77700	61	2
		9
	62	4
		11
128990-77730	61	3
		10
	62	5
		12
128990-77770	61	4
128990-77780	61	5
	62	6
129001-01250	1	5
129001-02931	1	30
129004-03010	11	3
129004-11650	10	6
129005-11100	10	21
129006-35100	19	24

Parts No.	Fig. No.	Ref. No.
129006-35100	19	25
129006-44480	19	30
129008-77800	10	38
129051-49310	29	1
		1 -1
129054-42320	22	3
129100-01580	2	3
	3	1
		7
	17	2
129100-01640	3	8
129100-11112	10	22
129100-23910	18	19
129150-01200	1	28
129150-01881	21	2
129150-02020	1	7
129150-02450	16	4
129150-02871	1	33
129150-02931	1	25
129150-02941	1	36
129150-03070	11	4
129150-11230	10	7
129150-11280	10	5
129150-11370	10	11
129150-11750	10	9
129150-11810	10	41
129150-14200	16	1
129150-14400	16	2
129150-23601	18	17
129150-23611	18	20
129150-35042	19	15
129150-35111	19	27
129150-35153	19	29
129150-35170	19	29 -1
129150-49811	22	13
129150-77511	12	11
129202-22300	18	9
129263-49350	22	4
129270-44501	24	28
129270-81110	42	1
129270-81120	42	2
129271-12311	13	3
129271-12810	13	5
129271-34850	20	1
129271-34890	20	2
129271-42350	22	17
129271-42351	22	17 -1
129271-42502	21	3
129271-42510	21	14
129271-42700	21	22

## Parts No. Index

Parts No.	Fig. No.	Ref. No.
129271-49110	25	2
	26	2
		7
	27	2
	28	1
	57	2
129271-77251	39	10
	60	10
129271-77641	38	3
	39	15
129400-01730	4	5
129410-03990	5	2 -1
129417-33111	19	23
129417-35150	19	26
129466-49300	22	5 A
129470-13541	15	1
129470-49540	22	10
129470-49801	22	12
129470-86500	53	2
129472-13560	15	2
129472-18090	14	2
	15	3
	55	2
129486-01670	3	11
129486-12581	12	10
129486-32020	19	13
129486-42050	22	6
129508-33010	19	21
129508-33031	19	21 -1
129508-33050	19	22
129508-33060	19	22 -1
129508-35100	19	24 -1
129508-35150	19	26 A
129508-49030	19	36
129550-13110	24	1
129601-11241	10	1
129601-11251	10	2
129604-21000	17	1
129608-77010	36	1
129608-77110	36	4
129657-49020	19	31
129657-49180	19	34
129670-01700	4	1
129670-07230	24	3
129670-08220	7	2
129670-08231	7	3
129670-08241	7	4
129670-08341	71	1
129670-08351	71	2
129670-08390	72	1

Parts No.	Fig. No.	Ref. No.
129670-12290	13	1
129670-12360	13	4
129670-12411	13	9
129670-13561	14	1
	55	1
129670-13600	24	4
	42	10
129670-35090	19	16
129670-39600	19	47
129670-42520	21	4
129670-42531	21	5
129670-42540	21	6
129670-42550	21	7
129670-42560	21	8
129670-42570	21	9
129670-42580	21	10
129670-42590	21	22 A
129670-42600	21	22 H
129670-42610	21	22 Q
129670-44150	24	9
129670-44430	24	10
129670-44450	24	13
129670-44460	24	14
129670-44570	24	30
129670-44911	24	2
129670-49020	25	1
	26	1
129670-49090	27	1
129670-49150	14	3
129670-49220	27	4
129670-49230	27	10
129670-49240	27	11
129670-49250	26	9
129670-49270	26	10
129670-49280	15	4
129670-49360	25	4
	26	4
	27	5
	57	5
129670-49390	29	3
129670-49410	27	6
129670-49500	14	4
	15	6
	25	5
	26	5
		11
	27	7
	28	4
	55	3
	57	7

Parts No.	Fig. No.	Ref. No.
129670-49500	58	3
129670-55700	32	20
129670-81040	42	5
129670-81050	42	6
129670-81060	42	7
129670-81100	42	8
129670-81110	42	9
129670-81200	42	3
129670-81210	42	4
129670-81850	43	7
129671-08211	7	1
129671-49110	26	8
129671-49210	28	2
129671-49220	28	3
129671-92110	50	1
129671-92120	50	2
129671-92130	50	3
129672-49050	40	25
129673-44090	24	7
129673-44110	24	6 A
129673-44131	24	8
129673-44150	24	6 B
129673-49410	57	6
	58	2
129673-81150	43	9
129673-81250	43	5
129674-75010	35	1
129675-01620	3	2
129675-01910	73	1
129675-03090	5	1
129675-03140	73	10
129675-11350	11	2
129675-11351	11	2 -1
129675-11700	10	12
129675-12410	73	15
129675-21580	17	12
129675-21800	23	1
129675-21810	23	2
129675-22000	18	1
129675-42000	22	1 -1
129675-42280	23	3
129675-49100	57	1
129675-49110	57	3
129675-49120	25	3
	26	3
	27	3
	57	4
129675-53100	31	1
129675-75010	35	9
129675-77380	59	5

Parts No.	Fig. No.	Ref. No.
129675-77560	37	14
129675-77570	40	12
129675-77571	40	12 -1
129675-77580	37	6
129675-77590	37	10
129675-81500	42	14
129675-81510	42	15
129675-81520	42	16
129675-81530	42	17
129675-81540	42	18
129675-81550	42	19
129675-81560	42	20
129675-81570	42	21
129675-81580	42	22
129675-81590	42	23
129675-81600	42	24
129675-81610	42	25
129677-01500	2	1
129677-01550	2	19
129677-03100	73	2
129677-03110	73	4
129677-03120	73	5
129677-03130	73	6
129677-03150	73	11
129677-07150	6	12
129677-07220	73	19
129677-07450	40	32
129677-07460	40	33
129677-07800	6	8
129677-07810	6	9
129677-07850	6	13
129677-08950	73	13
129677-08960	73	14
129677-09000	8	1
129677-09020	8	1 -1
129677-09130	39	4
	60	4
129677-09201	9	1
129677-09240	54	1
129677-09250	54	2
129677-09270	54	3
129677-09290	9	13
129677-09300	9	12
129677-09310	9	14
129677-09320	9	15
129677-09330	9	18
129677-09340	9	19
129677-09411	8	6
129677-09431	8	7
129677-09451	9	5

## Parts No. Index

Parts No.	Fig. No.	Ref. No.
129677-09461	9	6
129677-09471	9	7
129677-09481	8	8
	9	8
129677-09510	39	5
	60	5
129677-09600	39	6
	60	6
129677-09620	9	11
129677-09621	9	11 -1
129677-09910	54	4
129677-09920	54	5
129677-09930	54	6
129677-12101	12	1
129677-12130	12	6
129677-21600	17	8
129677-33930	58	1
129677-42000	22	1
129677-42310	22	16
129677-49320	29	2
129677-49390	29	3 -1
129677-49950	13	12
	14	6
	15	9
	25	7
	26	14
	27	13
	28	5
	55	5
	57	8
129677-55600	32	8
129677-55610	32	9
129677-55750	58	4
129677-55760	58	5
129677-55850	33	11
129677-57201	31	7
129677-59010	34	14
129677-59011	34	14 -1
129677-59090	34	4
129677-59220	32	21
	34	7
129677-59230	34	8
129677-59240	32	11
129677-59270	39	9
	60	9
129677-59300	32	12
129677-59350	32	15
129677-59400	34	18
129677-59500	34	1
129677-59501	34	1 -1

Parts No.	Fig. No.	Ref. No.
129677-59700	31	11
129677-59810	31	13
129677-59820	31	14
129677-59830	31	15
129677-59840	31	16
129677-59950	58	6
129677-77030	40	5
129677-77040	40	6
129677-77060	40	7
129677-77110	40	8
129677-77130	40	9
129677-77150	40	8 A
129677-77160	40	8 B
129677-77170	70	1
129677-77250	39	2
	61	6
129677-77280	61	7
129677-77290	61	8
	62	8
129677-77300	59	1
	60	1
	62	1
129677-77310	62	2
		9
129677-77330	62	3
129677-77340	62	10
129677-77350	59	2
	60	11
129677-77360	59	3
129677-77370	59	4
129677-77390	59	6
129677-77400	59	7
129677-77410	59	8
129677-77420	59	9
129677-77430	59	10
129677-77440	38	2
129677-77450	60	2
	62	7
129677-77500	73	18
129677-77510	73	20
129677-77550	40	11
129677-77600	39	3
129677-77610	39	12
	60	13
129677-77620	39	13
	60	14
129677-77630	39	14
	60	15
129677-77640	60	3
129677-77650	39	32

Parts No.	Fig. No.	Ref. No.
129677-77650	60	33
129677-77660	39	35
	60	36
129677-77670	39	34
	60	35
129677-77680	39	37
	60	38
129677-77710	40	26
129677-77720	35	18
129677-77721	35	18 -1
129677-77740	35	19
129677-77750	35	43
129677-77760	48	6
129677-77761	48	6 -1
129677-77770	35	20
129677-77790	35	21
129677-77930	35	44
129677-91101	45	1
129677-91851	48	8
129685-01350	1	29
129693-44300	24	26
129698-77020	36	2
129698-77101	36	3
129698-77120	36	5
129698-77130	36	6
129698-77140	36	7
129698-77150	36	8
129698-77161	36	9
129698-77170	36	10
129698-77180	36	11
129698-77190	36	12
129698-77200	36	13
129698-77210	36	14
129698-77220	36	15
129698-77230	36	16
129698-77240	36	17
129698-77250	36	18
129698-77260	36	19
129698-77270	36	21
129698-77280	36	22
129795-01780	3	10
129795-01950	2	5
129795-02412	1	10
129795-11120	10	23
129795-11180	10	24
129795-21661	17	9
129795-49551	22	11
129900-07900	10	36
129916-49740	22	5
129927-44900	22	7

Parts No.	Fig. No.	Ref. No.
129927-77910	37	16
	39	38
	59	12
	60	39
129927-77920	37	11
	39	39
	60	40
129978-11871	10	29
129978-12700	11	14 -1
129A00-11330	11	12
129A00-11900	10	30
129A00-12703	11	14
129A00-12780	11	15
129A00-14100	16	7
129A00-14700	16	9
129A00-14701	16	9 -1
129A00-14710	16	12
129A00-21710	3	13
129A00-22500	18	3
129A00-25050	16	14
129A00-25060	16	22
129A00-25080	16	30
129A00-25110	16	15
129A00-25120	16	23
129A00-25200	16	26
129A00-25210	16	27
129A00-25900	16	19
129A00-51000	30	1
129A00-51100	30	2
129A00-51110	30	3
129A00-51120	30	4
129A00-51130	30	5
129A00-51200	30	6
129A00-51900	30	7
129A00-53200	31	2
129A00-55800	32	10
129A00-55810	32	10 -1
129A00-57100	31	4
129A00-57200	31	5
129A00-57210	31	6
129A00-75940	35	31
129C00-01560	1	1
129C00-11310	11	11
129C00-14580	16	3
129C00-32000	19	1
129C00-57000	31	3
129C00-77820	10	39
129C26-01890	2	11
		15
129C28-51000	30	1 -1

## Parts No. Index

Parts No.	Fig. No.	Ref. No.
164000-10000	67	1
	68	1
164000-10020	76	2
		8
		18
		24
		34
		40
164000-10030	76	11
		27
164000-10200	67	21
	68	21
164000-10210	67	20
	68	20
	76	45
164000-10830	67	2
	68	2
164000-17000	66	1
164000-21212	68	11
164000-21220	67	11
164000-21301	49	1
164000-21302	49	1 -1
164000-21321	67	3
	68	3
164000-21340	65	20
164000-21350	39	33
		36
	60	34
		37
	66	2
164000-21400	67	10
	68	10
164000-21460	56	1
164000-21501	67	4
	68	4
164000-22210	41	2
164000-22211	41	2 -1
	67	14
	68	14
164000-22220	41	3
164000-22221	41	3 -1
	67	15
	68	15
164000-22230	41	4
164000-22231	41	4 -1
	67	16
	68	16
164000-22240	41	5
164000-22241	41	5 -1
	67	17

Parts No.	Fig. No.	Ref. No.
164000-22241	68	17
164000-22260	67	18
	68	18
164000-22270	67	19
	68	19
164000-24801	66	3
	67	8
	68	8
164000-29000	41	1
	67	13
	68	13
164000-29010	69	5
164000-29020	69	2
164000-29050	69	3
164000-30012	67	5
	68	5
	69	1
164000-37011	67	6
	68	6
	69	4
164000-37021	69	6
164000-37110	69	7
164000-37210	69	8
164000-37310	69	9
164000-37360	65	2
	69	10
		14
164000-37410	69	11
164000-37460	69	12
164000-40010	76	1
164000-40030	76	7
164000-40040	76	17
164000-40050	76	23
164000-40080	76	33
164000-40090	76	39
164000-41010	67	12
	76	5
164000-41030	68	12
	76	14
164000-41040	76	21
164000-41050	76	30
164000-41080	76	37
164000-41090	76	43
164000-44000	67	9
	68	9
164000-51020	65	3
	69	15
164000-51031	65	16
	69	28
164000-51047	65	1

Parts No.	Fig. No.	Ref. No.
164000-51047	67	7
	68	7
	69	13
164000-51048	65	1 -1
	67	7 -1
	68	7 -1
	69	13 -1
164000-51049	65	1 -2
	67	7 -2
	68	7 -2
	69	13 -2
164000-51070	65	1 -3
	67	7 -3
	68	7 -3
	69	13 -3
164000-51110	65	17
	69	29
164000-51211	65	18
	69	30
164000-51310	65	19
	69	31
164100-17000	74	17
164100-21030	75	2
164100-21110	46	2
	47	2
164100-21130	64	2
164100-21200	47	3
164100-21300	74	2
164100-21310	74	10
164100-30000	75	4
164100-30090	75	12
164100-30110	46	1
164100-30111	46	1 -1
164100-30112	46	1 -2
164100-30113	46	1 -3
164100-30310	47	1
164100-30311	47	1 -1
164100-30312	47	1 -2
164100-30313	47	1 -3
164100-30410	64	1
164100-30411	64	1 -1
164100-30412	64	1 -2
164100-31110	46	3
	47	4
	64	3
164100-31111	46	3 -1
	47	4 -1
	64	3 -1
164100-31150	46	4
	47	5

Parts No.	Fig. No.	Ref. No.
164100-31150	64	4
164100-31500	49	2
164100-31900	46	5
	47	6
164100-36100	46	6
	47	7
164100-39040	75	11
164100-39100	46	7
164100-39120	46	8
	47	8
	64	5
164100-39131	46	9
	47	9
164100-39150	46	10
164100-39180	46	11
	47	10
	64	6
164100-39190	46	12
	47	11
	64	7
164100-39200	47	12
164100-39230	47	13
164100-39400	64	8
164100-51400	74	3
		11
164100-51420	74	7
		15
164100-51430	74	8
		16
164100-53110	46	13
	47	14
164100-53111	46	13 -1
	47	14 -1
164100-53112	46	13 -2
	47	14 -2
164100-53150	46	14
	47	15
164100-53200	47	16
164100-53210	47	17
164100-53250	47	18
164100-53900	46	15
	47	19
164100-53920	47	20
171008-03990	19	32
		37
171051-01921	1	6
177070-03520	43	3
177073-02431	6	10
177088-02430	6	3
		11

## Parts No. Index

Parts No.	Fig. No.	Ref. No.
177090-03500	43	1
194256-04820	33	2
194440-51620	32	26
	40	1
		31
196420-02790	44	1
196420-09220	63	9
196440-09150	63	2
196440-09160	63	3
196440-09170	63	4
196440-09180	63	5
196440-09200	63	6
196440-09220	63	8
196630-12980	6	6
1A8060-65250	8	5 A
22137-050000	59	15
22137-080000	15	7
	38	4
		5
	39	16
	60	16
22137-100000	59	16
	60	17
22157-080000	37	18
	59	17
22190-080002	2	16
		23
		24
22190-120002	22	8
	32	18 -1
	33	13
22190-140002	20	3
22217-050000	39	17
	40	13
	59	18
		19
22217-080000	60	18
	39	18
	40	14
		34
		35
	60	19
22217-100000	20	4
22217-180000	16	20
22242-000100	48	5
22252-000260	18	10
22351-060012	10	32
22414-250150	48	9
22512-070140	16	8
	17	6

Parts No.	Fig. No.	Ref. No.
22857-500100	11	17
		18
23000-013000	32	16
	34	9
23000-016000	32	22
	34	17
23000-019000	34	10
23000-022000	27	12
23000-048000	13	7
23000-060000	13	8
		10
23010-013000	24	31
23061-070300	19	50
	24	22
23080-007000	34	3
23080-012000	11	19
23080-015000	19	35
		39
23297-180081	40	27
23414-100000	32	17
23414-100014	32	6
23414-120000	32	18
	39	29
	60	20
23414-140000	4	3
23414-170000	24	19
23857-080000	20	5
23871-030000	24	23
23875-010000	19	48
23875-030000	1	40
23876-005000	12	4
23887-120002	32	19
23887-140002	4	4
23887-180002	3	4
23894-030002	24	20
24190-070001	32	7
24190-280001	73	7
24311-000120	11	22
24311-000320	2	8
	11	23
	73	8
24341-000400	73	9
26013-080142	43	8
26022-050162	48	10
26106-060102	16	10
	37	17 -1
	54	7
26106-060122	34	11
	35	25
		27

Parts No.	Fig. No.	Ref. No.
26106-060122	37	17
	40	15
	59	20
26106-060162	40	15 -1
26106-060202	22	18
26106-080122	12	8
	25	6
	26	6
		12
		12 -1
	27	8
	35	28
	39	31
	40	16
		17
		18
		19
		28
		29
	57	9
	73	24
		25
26106-080142	2	17
	16	11
26106-080162	2	9
		12
		25
	4	7
	10	37
	13	11
	27	9
	35	29
	39	30
	40	20
	43	2
		4
	48	11
	59	21
	60	21
26106-080182	42	13
26106-080202	12	9
		12
	19	45
	31	8
	33	14
	37	19
		20
	39	19
		20
	42	11

Parts No.	Fig. No.	Ref. No.
26106-080202	43	10
	58	7
	60	22
		23
26106-080222	54	8
26106-080252	4	8
	10	33
	22	14
	23	4
	43	6
	59	22
26106-080302	30	8
	33	15
	37	21 -1
	54	9
26106-080352	2	18
	3	12
	10	34
	19	20
	21	23
	22	15
26106-080402	2	27
	16	28
	23	5
	54	10
26106-080452	4	9
	16	18
26106-080502	4	10
	10	35
26106-080552	22	9
26106-080602	2	28
	39	21
	60	24
26106-080652	38	6
26106-080852	2	29
26106-080902	23	6
26106-081002	24	24
26106-100162	20	6
26106-100202	39	22
	60	25
26106-100222	7	5
26106-100302	39	23
	60	26
26106-100452	23	7
26106-101202	38	7
26116-081004	38	8
	39	24
	60	27
26116-101302	59	23
26116-120252	7	6

## Parts No. Index

Parts No.	Fig. No.	Ref. No.
26116-120302	36	24
26206-100252	3	5
26206-100302	3	6
26216-060202	12	5
26216-080202	40	36
26216-080252	37	21
26216-080602	32	23
26226-080182	10	10
26306-080002	2	13
26366-060002	8	10
	9	10
		21
	31	17
	35	17
		30
26366-080002	21	24
	24	25
	26	13
	32	24
	37	22
	38	9
	39	25
	40	21
		37
		38
	42	12
	58	8
	60	28
26366-100002	38	10
26450-060162	3	14
	11	20
	16	13
26450-060252	19	14
26450-080162	24	21
26557-040122	37	9
26703-080002	14	5
	15	8
	55	4
26706-100002	59	24
26716-050002	39	26
	40	22
	59	25
		26
	60	29
26716-080002	59	27
		28
	60	30
		31
26756-080002	32	25
	38	11

Parts No.	Fig. No.	Ref. No.
26756-080002	39	27
		28
	40	23
	60	32
26776-180002	16	21
26793-080002	63	10
27241-120000	1	15
27241-300000	1	11
27241-400000	10	20
27310-080001	10	27
27730-301400	53	1
29621-200001	32	27
	40	24
	54	11
	59	29
41710-000410	48	12
41730-000681	52	2
729402-23100	18	11
796450-09200	63	1
X0146531	21	13
X0505526	21	15
X0508129	21	17
X0529105	21	19
X2114535200	36	20

Parts No.	Fig. No.	Ref. No.
-----------	----------	----------

Parts No.	Fig. No.	Ref. No.
-----------	----------	----------