

OCR10-M32504EN

Introduction

1. This parts catalog for 4LH-TE, 4LH-HTE, 4LH-DTE, 4LH-STE engine & KM5A clutch is published as a last edition.

	Parts catalog No.	Date of issue	Remarks
First edition	000Y00R3251	July,1990	No need
1st revised edition	000Y00R3252	Aug.,1995	No need
2nd revised edition	000Y00R3253	June,2001	No need
Last edition	0CR10-G32504	June,2012	

2. Standard finish color.

Yanmar ecole silver Metallic

Parts No. 977620-10070 1L(Packed in a can)

Parts No. 977620-40070 4L(Packed in a can)

Parts No. TOR-94800250 Spray(1 piece)

3. This parts catalog does not contain the technical data needed for maintenance service.

4. The illustrations used in this parts catalog have been simplified for clarity.

5. The contents of this parts catalog are subject to change without notice.

6. Be sure to use only Yanmar genuine part for repairs. If imitation parts are used, it may cause engine defects.

Contents

OCR10-M32504

Fig. No.	Fig. Name	Fig. No.	Fig. Name
4LH-TE/-DTE/-HTE/-STE		24.	AIR COOLER(4LH-STE)
1.	CYLINDER BLOCK	25.	AIR DUCT
2.	GEAR HOUSING	26.	AIR DUCT(4LH-STE)
3.	FLYWHEEL HOUSING	27.	CRANKSHAFT & FLYWHEEL
4.	LUB. OIL SUMP	28.	PISTON & CONNECTING ROD
5.	OIL SEAL HOUSING	29.	LUB. OIL PUMP
6.	LABEL	30.	LUB. OIL COOLER
7.	ENGINE BRACKET	31.	LUB. OIL COOLER HOUSINGG
8.	CYLINDER HEAD	32.	LUB. OIL SYSTEM(4LH-TE,HTE)
9.	BONNET & BREATHER	33.	LUB. OIL SYSTEM(4LH-DTE,STE)
10.	SUCTION MANIFOLD	34.	LUB. OIL PIPE(TURBOCHARGER)
11.	MIXING ELBOW	35.	OIL SUCTION/DRAIN PUMP
12.	CAMSHAFT	36.	BILGE PUMP(OPTIONAL)(UP TO EXXXXX)
13.	TURBOCHARGER(4LH-TE,HTE)	37.	BILGE PUMP(STD,OPTIONAL)(UP TO EXXXXX)
14.	TURBOCHARGER COMPONENT PARTS(4LH-TE,HTE)	38.	BILGE PUMP(DX,OPTIONAL)(UP TO EXXXXX)
15.	TURBOCHARGER COMPONENT PARTS(4LH-HTE)	99.	(38A)BILGE PUMP(OPTIONAL)(FROM EXXXXX)
16.	TURBOCHARGER COMPONENT PARTS(4LH-HTE)	39.	COOLING FRESH WATER PUMP
17.	TURBOCHARGER(4LH-DTE)	40.	COOLING SEA WATER PUMP
18.	TURBOCHARGER COMPONENT PARTS(4LH-DTE)	41.	COOLING FRESH WATER COOLER
19.	TURBOCHARGER COMPONENT PARTS(4LH-DTE)	42.	COOLING FRESH WATER COOLER(4LH-STE)
20.	TURBOCHARGER(4LH-STE)	43.	COOLING SEA WATER PIPE
21.	TURBOCHARGER COMPONENT PARTS(4LH-STE)	44.	COOLING SEA WATER PIPE(4LH-STE)
22.	TURBOCHARGER COMPONENT PARTS(4LH-STE)	45.	COOLING FRESH WATER COOLER PIPE
23.	AIR COOLER(4LH-HTE,DTE)	46.	COOLING FRESH WATER PIPE(TURBOCHARGER)
95.	(23A)AIR COOLER COMPONENT PARTS(4LH-HTE,DTE)	47.	THERMOSTAT

Contents

OCR10-M32504

Fig. No. Fig. Name

- 48. COOLING SEA WATER STRAINER(OPTIONAL)
- 49. FUEL INJECTION PUMP(4LH-TE,HTE)
- 50. FUEL INJECTION PUMP(4LH-DTE,ST
- 51. GOVERNOR(4LH-DTE)(UP TO EXXXXX)
- 52. GOVERNOR(4LH-DTE)(FROM EXXXXX)
- 53. GOVERNOR(4LH-STE)
- 54. FUEL FEED PUMP
- 55. TIME & FUEL INJECTION PUMP DRIVING DEVICE
- 56. FUEL INJECTION VALVE
- 57. FUEL INJECTION PIPE
- 58. FUEL PIPE
- 59. FUEL RETURN PIPE(4LH-TE,HTE)
- 60. FUEL RETURN PIPE(4LH-DTE)
- 61. FUEL RETURN PIPE(4LH-STE)
- 62. FUEL STRAINER
- 63. OIL/WATER SEPARATER(OPTIONAL)
- 64. ENGINE STOP DEVICE
- 65. SINGLE LEVER CONTROL(OPTIONAL)
- 66. STARTING MOTOR
- 67. STARTING MOTOR
- 68. GENERATOR
- 96. (68A)GENERATOR COMPONENT PARTS
- 69. GENERATOR(80A,OPTIONAL)(UP TO EXXXXX)
- 70. GENERATOR(80A,OPTIONAL)(FROM EXXXXX)
- 71. CLUTCH

Fig. No. Fig. Name

- 72. STRAIGHT COUPLING(OPTIONAL)
- 73. WIRE HARNESS
- 74. EXTENSION WIRE(OPTIONAL)
- 75. SENSOR
- 76. SAFETY SWITCH(OPTIONAL)
- 77. INSTRUMENT PANEL(B-TYPE,OPTIONAL)
- 78. INSTRUMENT PANEL(C-TYPE,OPTIONAL)(UP TO EXXXXX)
- 79. INSTRUMENT PANEL(D-TYPE,OPTIONAL)
- 97. (78A)INSTRUMENT PANEL(C-TYPE,OPTIONAL)(FROM EXXXXX)
- 80. INSTRUMENT PANEL(E-TYPE,OPTIONAL)
- 81. INSTRUMENT PANEL(B-TYPE,OPTIONAL)
- 82. INSTRUMENT PANEL(C-TYPE,OPTIONAL)(UP TO EXXXXX)
- 98. (82A)INSTRUMENT PANEL(C-TYPE,OPTIONAL)(FROM EXXXXX)
- 83. INSTRUMENT PANEL(D-TYPE,OPTIONAL)
- 84. TOOL
- 85. GASKET SET(OPTIONAL)

KM5A

- 86. CLUTCH HOUSING
- 87. INPUT SHAFT
- 88. CLUTCH SHAFT
- 89. SUPPORT SHAFT
- 90. OUTPUT SHAFT
- 91. LUB. OIL COOLER(CLUTCH)
- 92. REMOTE CONTROL DEVICE

Contents

OCR10-M32504

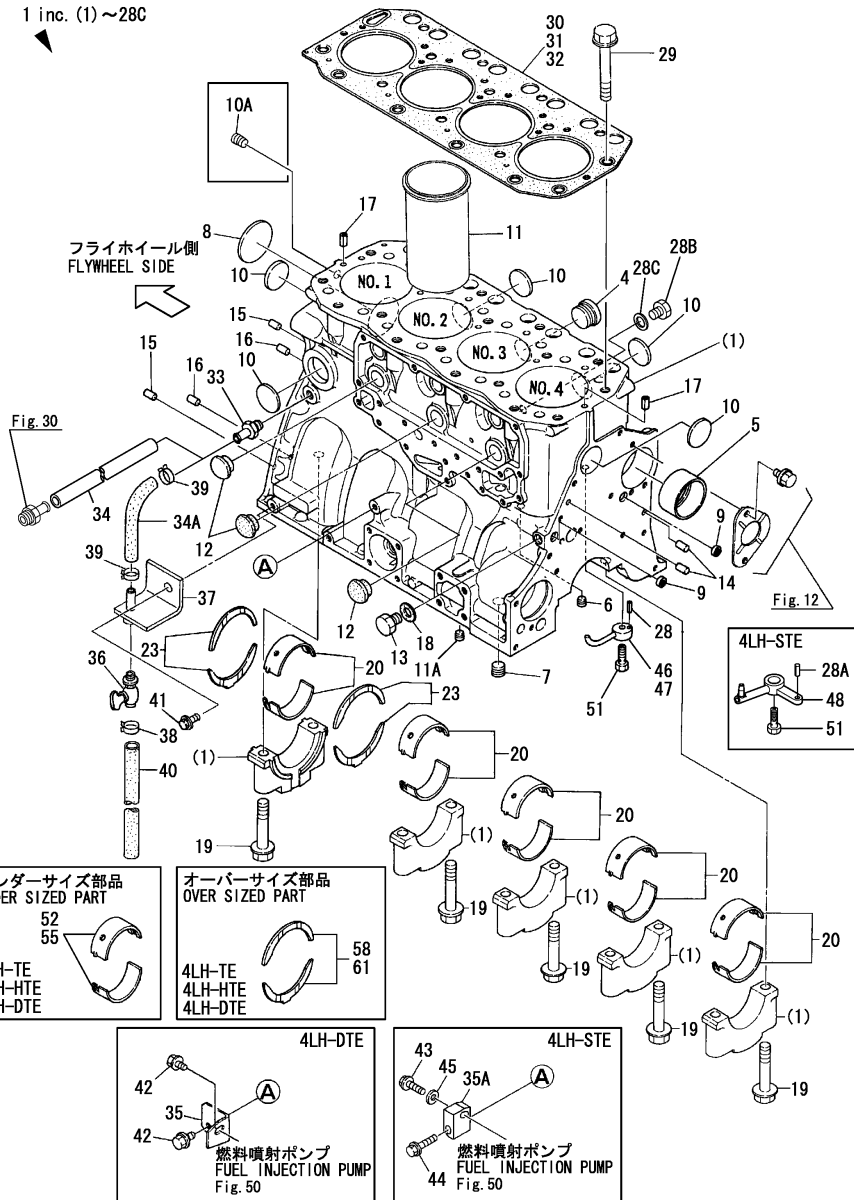
Fig. No. Fig. Name

93. REMOTE CONTROL PASSIVE UNIT

94. SAFETY SWITCH STAY(OPTIONAL)

Fig. No. Fig. Name

Fig.1. CYLINDER BLOCK



(A)=4LH-TE
(B)=4LH-HTE
(C)=4LH-DTE

(D)=4LH-STE
(E)=
(F)=

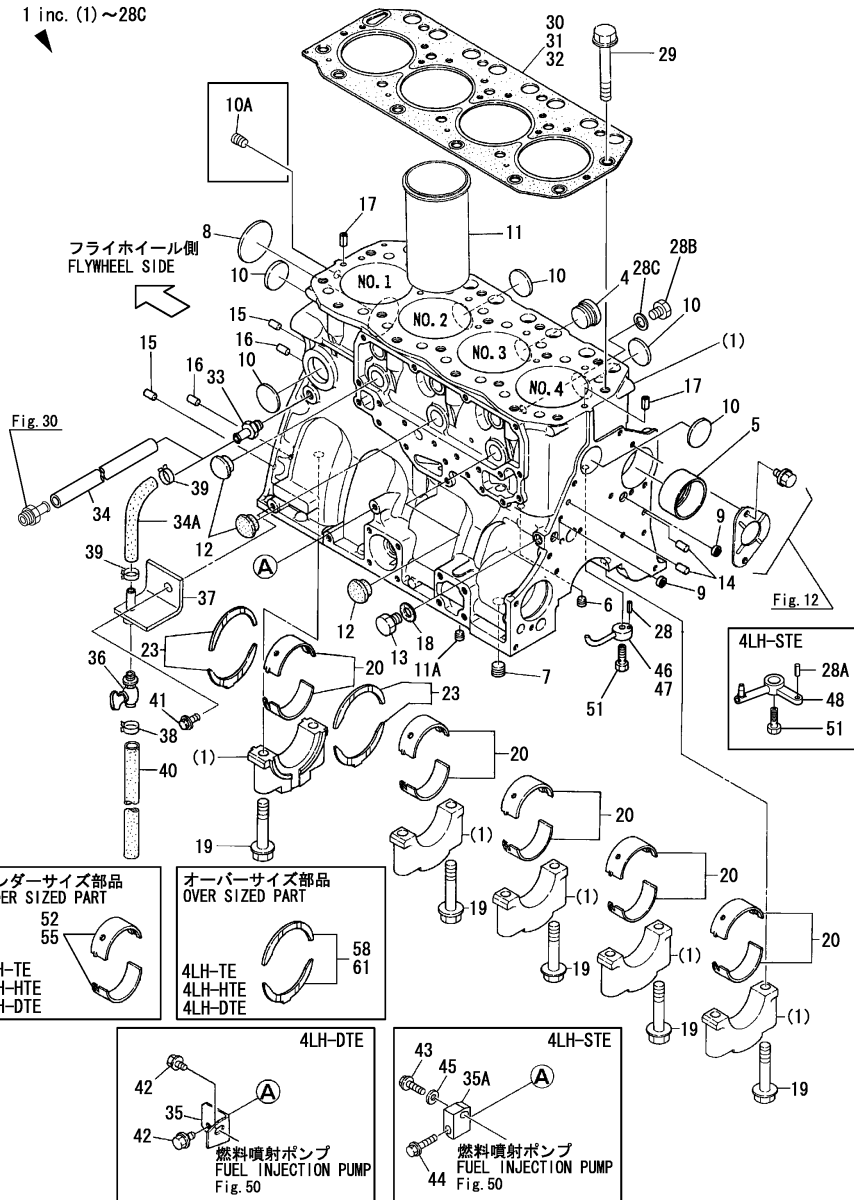
No.	Lev.	Parts No.	Description	Q'ty						I	R
				(A)	(B)	(C)	(D)	(E)	(F)		
1	1	719171-01560	BLOCK ASSY, CYLINDER	1	1						
1-1	1	719182-01560	BLOCK ASSY, CYLINDER	1	1	1	1				N
		(A=*1988.11) (B=*1988.11)									
4	3	171051-01921	PLUG, NPTF1	1	1	1	1				
5	3	119000-02410	BUSH, CAMSHAFT	1	1	1	1				
6	3	23876-010000	PLUG, R01	1	1	1	1				
6-1	3	124060-01050	PLUG, PT1/8	1	1	1	1				N
		(A=EXXXXX) (B=EXXXXX) (C=EXXXXX) (D=EXXXXX)									
7	3	23876-030000	PLUG, R03	1	1	1	1				
8	3	27231-600000	PLUG, 60	1	1	1	1				
9	3	27241-140000	PLUG, 14	2	2	2	2				
10	3	27241-400000	PLUG, 40	5	5	5	5				
10-1	3	119593-01870	PLUG	5	5	5	5				N
		(A=E10777) (B=E21584) (C=E22396) (D=*1994.09)									
10A	3	23871-020000	PLUG, R02	1	1						W
		(A=*1988.11) (B=*1988.11)									
10A-1	3	23871-020000	PLUG, R02	1	1	1					Z
		(A=*1990.05) (B=*1990.05) (C=*1990.05)									
11	2	119171-01100	SLEEVE, CYLINDER	4	4						
11-1	2	119171-01101	LINER, CYLINDER	4	4	4	4				N
		(A=*1987.08) (B=*1987.08)									
11A	2	119000-01880	SCREW	1	1	1	1				W
		(A=E10882) (B=E21711) (C=E22679) (D=E50101)									
12	2	119000-01840	PLUG, RUBBER	3	3	3	3				
13	2	135602-34390	RETAINER	1	1	1	1				
14	2	22312-080160	PIN, PARALLEL M8X16	2	2	2	2				
14-1	2	129100-01580	PIN, M8X16	2	2	2	2				R
		(A=E11028) (B=E22082) (C=E23489) (D=E51377)									
15	2	22312-080160	PIN, PARALLEL M8X16	2	2	2	2				
15-1	2	129100-01580	PIN, M8X16	2	2	2	2				R
		(A=E11028) (B=E22082) (C=E23489) (D=E51377)									
16	2	22312-080160	PIN, PARALLEL M8X16	2	2	2	2				
16-1	2	129100-01580	PIN, M8X16	2	2	2	2				R
		(A=E11028) (B=E22082) (C=E23489) (D=E51377)									
17	2	22351-080016	PIN, SPRING 8.0X16	2	2	2	2				
18	2	23414-140000	GASKET, 14X1.0	1	1	1	1				
19	2	119000-02020	BOLT, METAL CAP	10	10	10	10				
20	2	719000-02800	BEARING, MAIN	5	5	5	5				
23	2	719000-02930	BEARING, THRUST	2	2	2	2				
28	2	22351-030010	PIN, SPRING 3.0X10	4	4	4					
28A	2	22351-040008	PIN, SPRING 4.0X 8								4
28B	2	135400-01790	PLUG	1	1	1	1				W
		(A=*1988.04) (B=*1988.04)									
28C	2	23414-100000	GASKET, 10X1.0	1	1	1	1				W
		(A=*1988.04) (B=*1988.04)									
29	1	119000-01200	BOLT, HEAD	18	18	18					
29A	1	119174-01200	BOLT, HEAD								18
30	1	119171-01340	GASKET, HEAD T=1.3	1	1						
30-1	1	119171-01310	GASKET, HEAD T=1.3	1	1						R
		(A=*1988.04) (B=*1988.04)									
30-2	1	119173-01340	GASKET, HEAD	1	1	1	1				R

Remarks
(1)For adjustment.

Fig.1. CYLINDER BLOCK

(A)=4LH-TE
(B)=4LH-HTE
(C)=4LH-DTE

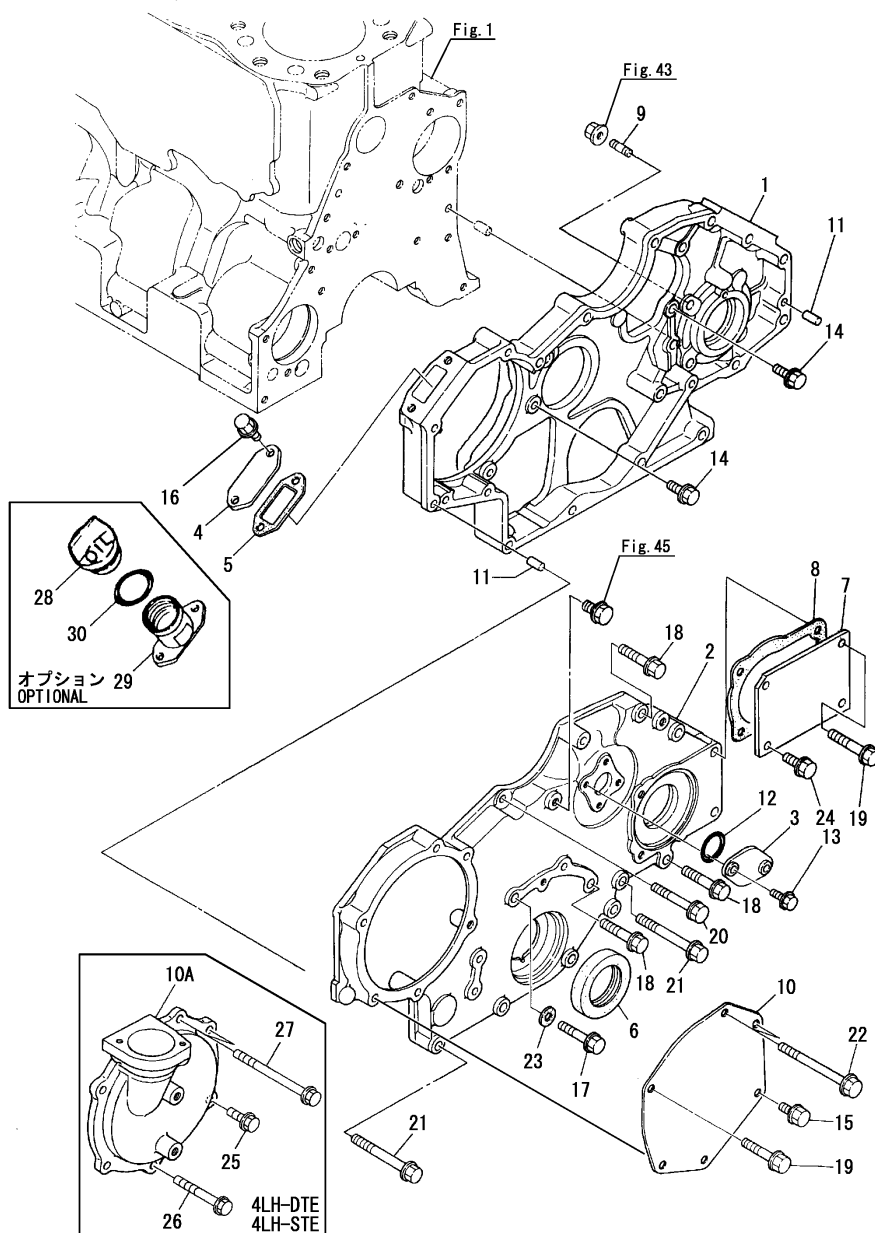
(D)=4LH-STE
(E)=
(F)=



No.	Lev.	Parts No.	Description	Q'ty						I	R
				(A)	(B)	(C)	(D)	(E)	(F)		
30-3	1	119174-01340	GASKET, HEAD T=1.3	1	1	1	1				R
31	1	119171-01330	GASKET, HEAD	1	1						1
31-1	1	119171-01300	GASKET, HEAD	1	1						R 1
31-2	1	119173-01330	GASKET, HEAD	1	1	1	1				R 1
31-3	1	119174-01330	GASKET, HEAD T=1.2	1	1	1	1				R 1
32	1	119171-01350	GASKET, HEAD	1	1						1
32-1	1	119171-01320	GASKET, HEAD	1	1						R 1
32-2	1	119173-01350	GASKET, HEAD	1	1	1	1				R 1
32-3	1	119174-01350	GASKET, HEAD T=1.4	1	1	1	1				R 1
33	1	121550-49111	JOINT, PT1/4	1	1	1	1				
34	1	119171-49160	PIPE, WATER	1	1						
34A	1	119173-49160	PIPE, WATER			1	1				
35	1	119100-01980	RETAINER, PUMP			1					
35A	1	119181-01990	RETAINER, PUMP					1			
36	1	128695-44090	COCK			1	1				
36-1	1	129670-49290	COCK ASSY, R1/8			1	1				N
37	1	119173-49170	BRACKET			1	1				
38	1	124460-77680	RETAINER			1	1				
39	1	23000-016000	CLAMP, 16			2	2				
39-1	1	119172-48130	CLIP, HOSE 13			2	2				R
40	1	23061-070300	PIPE, 7X 300			1	1				
41	1	26106-080122	BOLT, M8X 12 PLATED			1	1				
42	1	26106-080162	BOLT, M8X 16 PLATED			2					
43	1	26106-080352	BOLT, M8X 35 PLATED					1			
44	1	26106-080402	BOLT, M8X 40 PLATED					1			
45	1	106100-55800	WASHER					1			
46	1	119000-39650	NOZZLE	4	4						
47	1	119187-39650	NOZZLE, COOLING				4				
48	1	119174-39560	NOZZLE ASSY, COOLING					4			
51	1	23857-030000	BOLT, JOINT 3	4	4	4	4				
52	1	719000-02870	BEARING, 0.25 US	5	5	5					
55	1	119172-02210	METAL, MAIN 0.50 US	5	5	5					
58	1	719000-02940	BEARING, THRUST 0.25	2	2	2					
61	1	119172-02310	BEARING, THRUST 0.50	2	2	2					

Remarks
(1)For adjustment.

Fig.2. GEAR HOUSING



(A)=4LH-TE
(B)=4LH-HTE
(C)=4LH-DTE

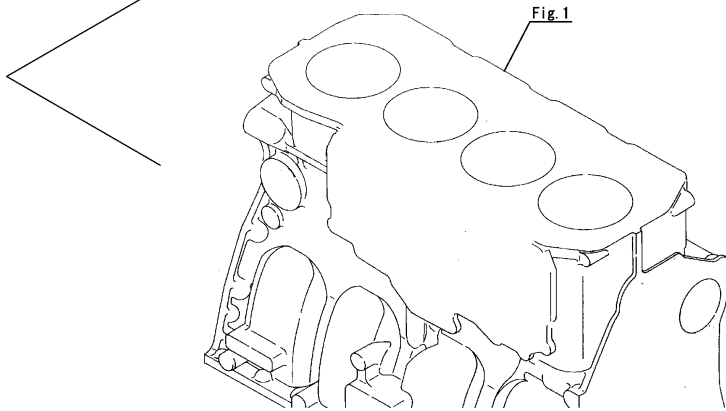
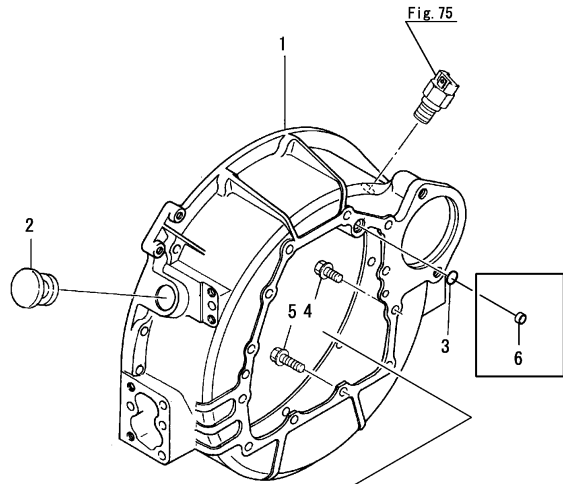
(D)=4LH-STE
(E)=
(F)=

No.	Lev.	Parts No.	Description	Q'ty						I	R
				(A)	(B)	(C)	(D)	(E)	(F)		
1	1	119000-01500	CASE, GEAR	1	1	1	1				
2	1	119000-01520	COVER, GEAR CASE	1	1	1	1				
3	1	121023-01550	COVER	1	1	1	1				
3-1	1	121023-01551	COVER (A=EXXXXX) (B=EXXXXX) (C=EXXXXX) (D=EXXXXX)	1	1	1	1				R
4	1	119000-01740	COVER	1	1	1	1				
5	1	119000-01770	GASKET	1	1	1					
5-1	1	119000-01771	GASKET (A=*1990.08) (B=*1990.08) (C=*1990.08)	1	1	1	1				N
6	1	121850-01800	SEAL, OIL	1	1	1	1				
7	1	124610-01851	COVER	1	1						
8	1	124610-01861	GASKET	1	1						
8-1	1	124610-01862	GASKET (A=*1990.08) (B=*1990.08)	1	1						N
9	1	121850-01920	STUD, 2D8X22	2	2	2	2				
10	1	119000-01930	COVER	1	1						
10-1	1	119000-01931	COVER (A=EZZZZZ) (B=EZZZZZ)	1	1						S
10A	1	119187-01930	COVER			1	1				
11	1	22312-080160	PIN, PARALLEL M8X16	2	2	2	2				
11-1	1	129100-01580	PIN, M8X16 (A=E11028) (B=E22082) (C=E23489) (D=E51377)	2	2	2	2				R
12	1	24341-000240	O-RING, 1AS24.0	1	1	1	1				
13	1	26106-060182	BOLT, M6X 18 PLATED	2	2	2	2				
14	1	26106-080202	BOLT, M8X 20 PLATED	5	5	5	5				
15	1	26106-080202	BOLT, M8X 20 PLATED	1	1						
16	1	26106-080202	BOLT, M8X 20 PLATED	2	2	2	2				
17	1	26106-080402	BOLT, M8X 40 PLATED	1	1	1	1				
18	1	26106-080452	BOLT, M8X 45 PLATED	5	5	5	5				
19	1	26106-080502	BOLT, M8X 50 PLATED	5	5						
20	1	26106-080552	BOLT, M8X 55 PLATED	1	1	1	1				
21	1	26106-080752	BOLT, M8X 75 PLATED	4	4	4	4				
22	1	26106-080902	BOLT, M8X 90 PLATED	2	2						
23	1	43400-500420	SEAL WASHER 8	1	1	1					
23-1	1	22190-080003	WASHER, SEAL 8 (A=E10722) (B=E21478) (C=E22111)	1	1	1	1				R
24	1	26106-080202	BOLT, M8X 20 PLATED	2	2						
25	1	26106-080252	BOLT, M8X 25 PLATED			1	1				
26	1	26106-080552	BOLT, M8X 55 PLATED			3	3				
27	1	26106-080952	BOLT, M8X 95 PLATED			2	2				
28	1	124160-01751	COVER, FILLER	1	1	1					
29	1	119000-01760	FLANGE	1	1	1					
30	1	24311-000320	O-RING, 1AP32.0	1	1	1					

Fig.3. FLYWHEEL HOUSING

(A)=4LH-TE
(B)=4LH-HTE
(C)=4LH-DTE

(D)=4LH-STE
(E)=
(F)=



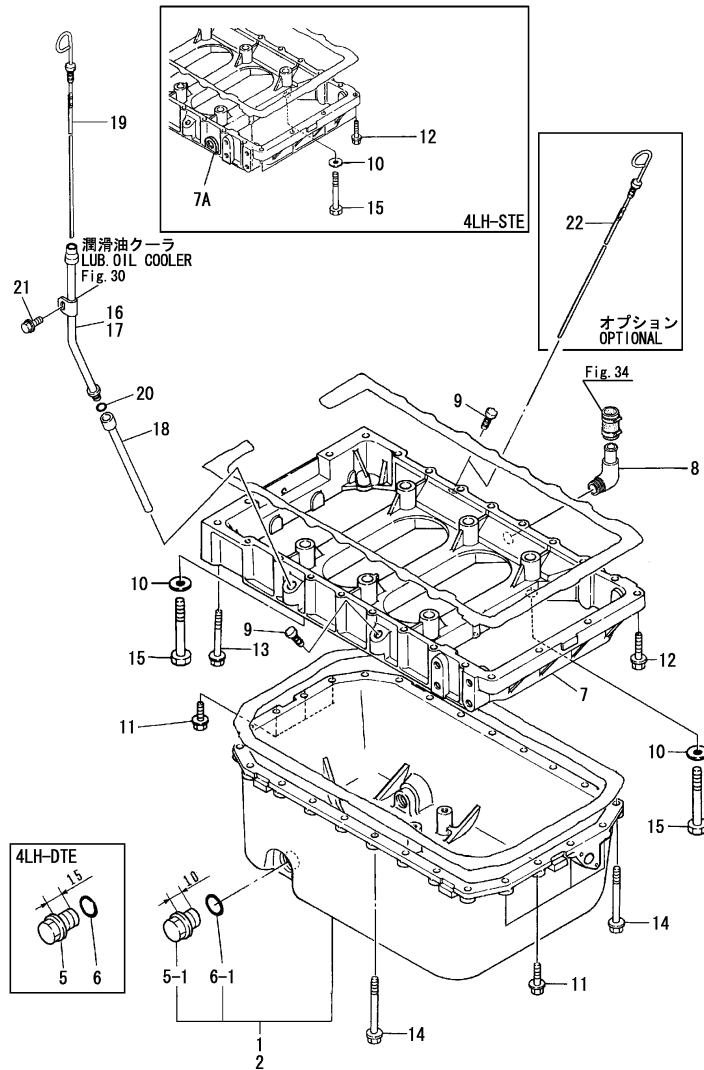
No.	Lev.	Parts No.	Description	Q'ty						I	R
				(A)	(B)	(C)	(D)	(E)	(F)		
1	1	119171-01600	HOUSING, FLYWHEEL	1	1	1	1				
1-1	1	119171-01601	HOUSING, FLYWHEEL	1	1	1	1			S	1
		(A=*2007.10)	(B=*2007.10)	(C=*2007.10)	(D=*2007.10)						
2	1	119620-01750	CAP	1	1	1	1				
2-1	1	119575-01750	CAP	1	1	1	1				R
		(A=EXXXXX)	(B=EXXXXX)	(C=EXXXXX)	(D=EXXXXX)						
3	1	24311-000140	O-RING, 1AP14.0	1	1	1	1				
3-1	1	24311-000160	O-RING, 1AP16.0	1	1	1	1			S	
		(A=*2007.10)	(B=*2007.10)	(C=*2007.10)	(D=*2007.10)						
4	1	26106-100252	BOLT, M10X 25 PLATED	8	8	8	8				
5	1	26106-100302	BOLT, M10X 30 PLATED	4	4	4	4				
6	1	119175-39730	BUSH, OIL GALLERY	1	1	1	1				Z
		(A=*2007.10)	(B=*2007.10)	(C=*2007.10)	(D=*2007.10)						

Remarks
(1)Interchangeable by simultaneous replacement with Ref.No.1-1,3-1.

Fig.4. LUB. OIL SUMP

(A)=4LH-TE
(B)=4LH-HTE
(C)=4LH-DTE

(D)=4LH-STE
(E)=
(F)=



No.	Lev.	Parts No.	Description	Q'ty						I	R
				(A)	(B)	(C)	(D)	(E)	(F)		
1	1	119100-01770	SUMP ASSY, OIL	1	1						
2	1	719187-01540	SUMP ASSY, OIL			1	1				
5	2	171301-01640	PLUG, 22	1	1	1					
5-1	2	119640-01640	PLUG, DRAIN M22 (C=E22232)			1	1				S 2
6	2	24341-000240	O-RING, 1AS24.0	1	1	1					
6-1	2	22190-220002	WASHER, SEAL 22 (C=E22232)			1	1				S 2
7	1	119100-01730	SPACER	1	1	1					
7A	1	119184-01730	SPACER, OIL SUMP						1		
8	1	124070-13300	ELBOW, PT3/8	1	1	1	1				
9	1	124976-34850	CAP	2	2	2	2				
10	1	22117-120000	WASHER, 12	6	6	6	6				
11	1	26106-080252	BOLT, M8X 25 PLATED	8	8	8	8				
12	1	26106-080352	BOLT, M8X 35 PLATED	4	4	4	4				
13	1	26106-080702	BOLT, M8X 70 PLATED	2	2	2	2				
14	1	26106-080802	BOLT, M8X 80 PLATED	18	18	18	18				
15	1	26116-120852	BOLT, M12X 85 PLATED	6	6	6	6				
16	1	119171-34810	GUIDE, DIPSTICK	1	1						
17	1	119173-34810	GUIDE, DIPSTICK			1	1				
18	1	119171-34820	GUIDE, DIPSTICK	1	1	1	1				
19	1	129470-34850	DIPSTICK, OIL	1	1	1	1				
20	1	24341-000100	O-RING, 1AS10.0	1	1	1	1				
21	1	26106-080162	BOLT, M8X 16 PLATED	1	1	1	1				
22	1	119171-34850	DIPSTICK, OIL	1	1	1	1				1

Remarks
(1)Optional.
(2)Interchangeable by simultaneous replacement with Ref.No5-1,6-1.

Fig.5. OIL SEAL HOUSING

(A)=4LH-TE
(B)=4LH-HTE
(C)=4LH-DTE

(D)=4LH-STE
(E)=
(F)=

No.	Lev.	Parts No.	Description	Qty						I	R
				(A)	(B)	(C)	(D)	(E)	(F)		
1	1	119100-01640	CASE ASSY, OIL SEAL	1	1	1	1				
2	2	119000-01650	CASE, OIL SEAL	1	1	1	1				
3	2	124411-01780	SEAL, HTC95X115X12	1	1	1	1				
4	1	26106-080252	BOLT, M8X 25 PLATED	8	8	8	8				

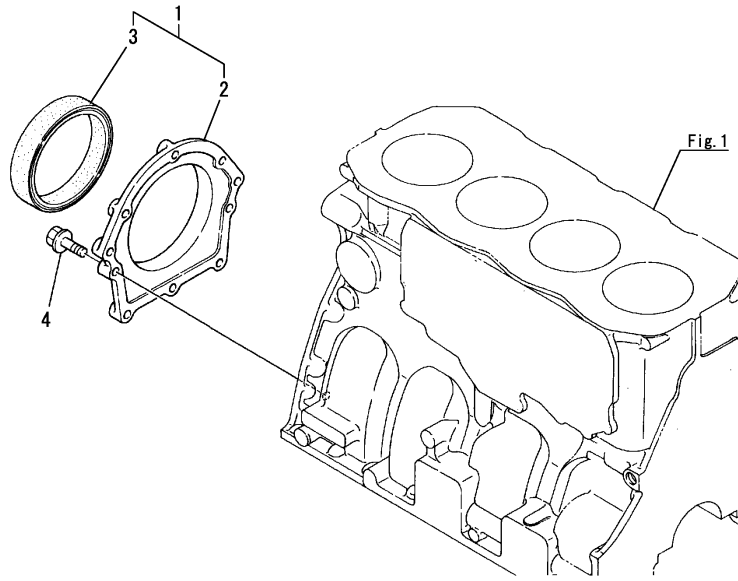
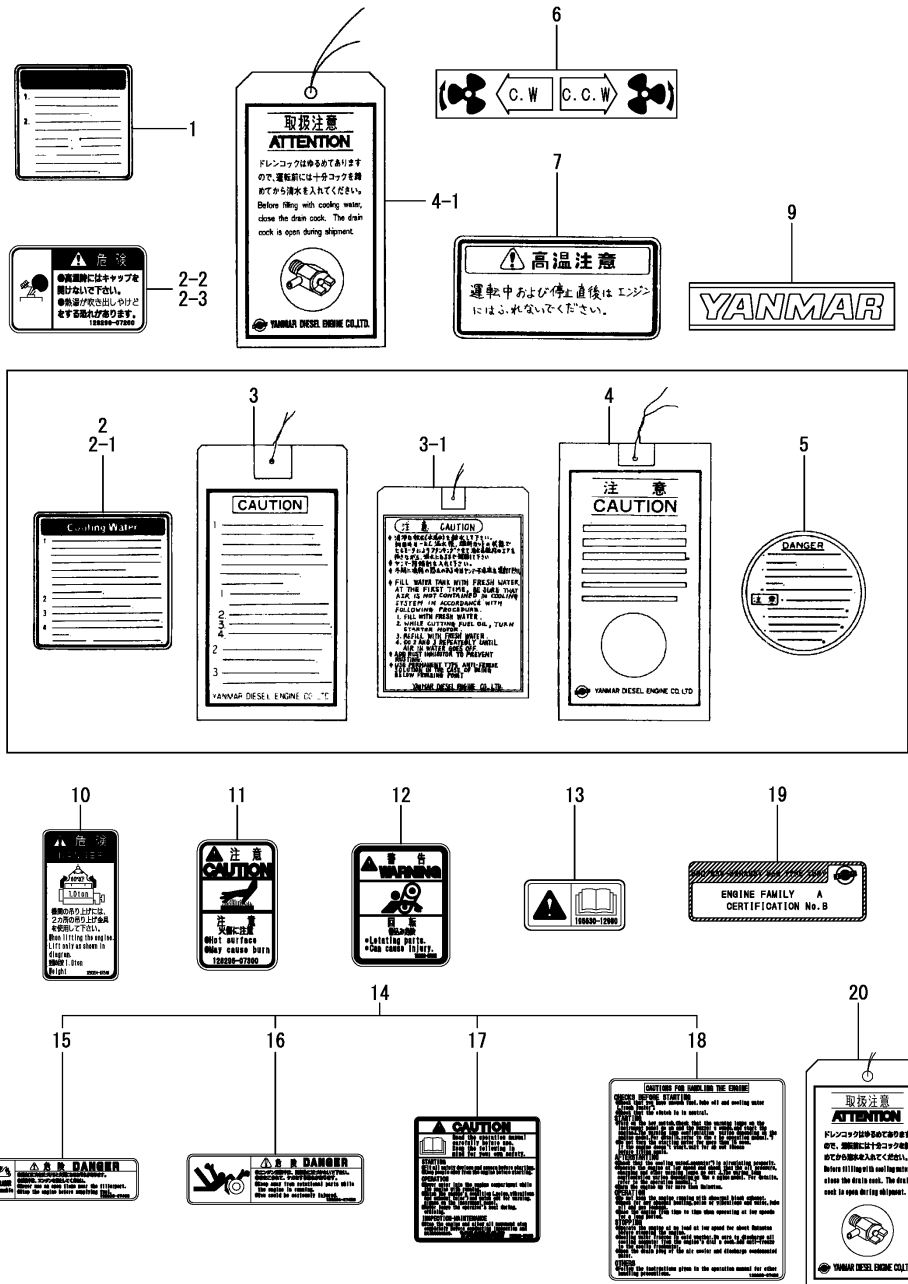


Fig.6. LABEL

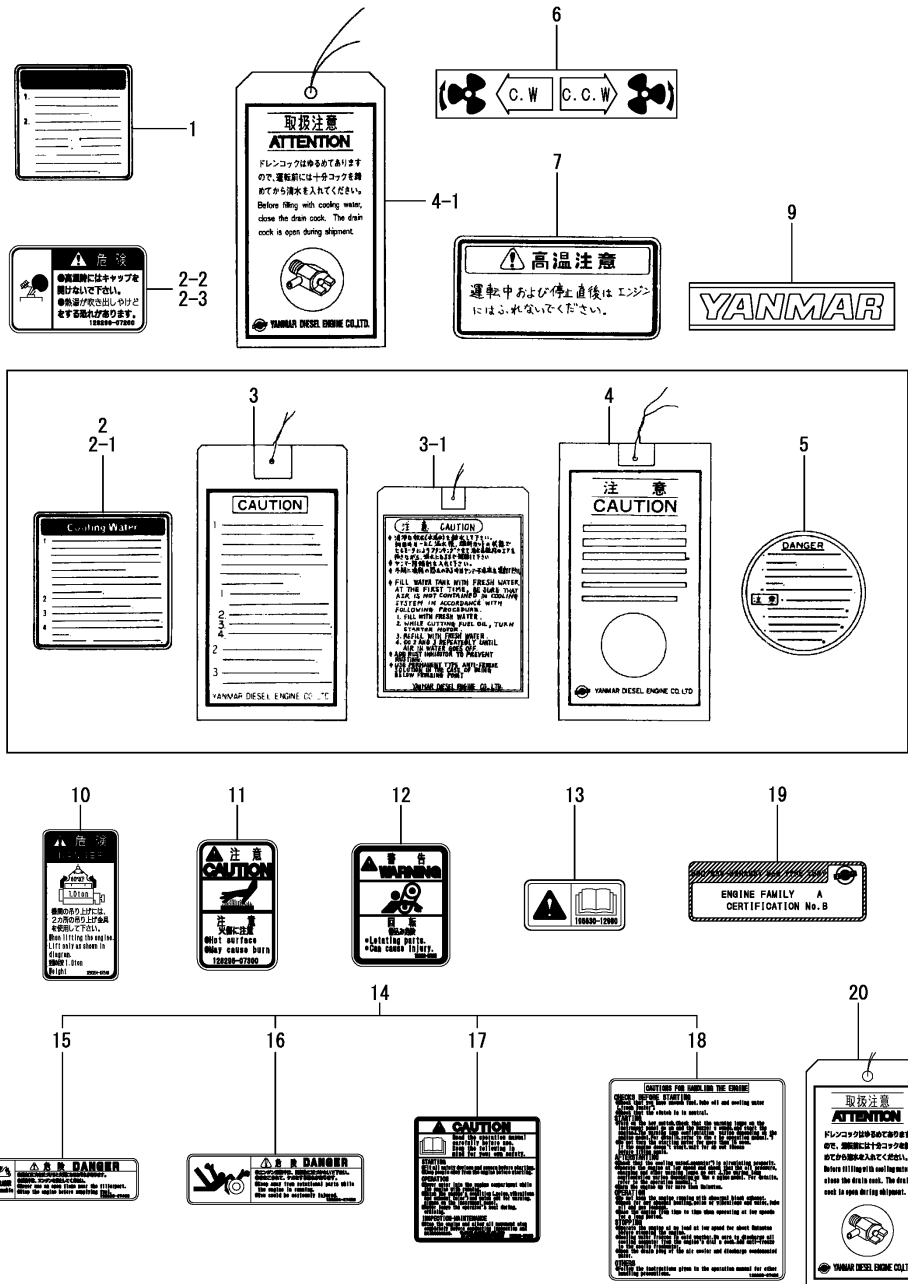


(A)=4LH-TE
(B)=4LH-HTE
(C)=4LH-DTE

(D)=4LH-STE
(E)=
(F)=

No.	Lev.	Parts No.	Description	Q'ty						I	R
				(A)	(B)	(C)	(D)	(E)	(F)		
1	1	135665-07210	LABEL, WATER PUMP (A=E10960) (B=E21952) (C=E23158) (D=E50957)	1	1	1	1				Z
2	1	127611-07350	LABEL	1	1						
2-1	1	129198-07350	LABEL, TANK (A=EXXXXX) (B=EXXXXX)	1	1	1					N
2-2	1	128296-07250	LABEL, CAUTION (A=E10886) (B=E21719) (C=E22687)	1	1	1	1				N
2-3	1	128296-07260	LABEL, DANGER (A=E10960) (B=E21952) (C=E23158) (D=E50957)	1	1	1	1				N
3	1	126630-07370	LABEL	1	1	1					
3-1	1	129198-07360	LABEL, CAUTION TAG (A=E10724) (B=E21492) (C=E22147)	1	1	1					N
3-2	1	129198-07360	LABEL, CAUTION TAG (A=E10886) (B=E21719) (C=E22687)	1	1	1					Z
4	1	123682-07850	LABEL, CAUTION	1	1	1					
4-1	1	123682-07851	LABEL, CAUTION (A=E10886) (B=E21719) (C=E22687)	1	1	1	1				N
5	1	120445-44620	LABEL, CAUTION (A=E10886) (B=E21719) (C=E22687)	1	1	1					Z
6	1	177073-02430	LABEL (A=*1987.09) (B=*1987.09)	1	1	1	1				W
6-1	1	177073-02431	LABEL, DIRECTION (A=E10897) (B=E21749) (C=E22718) (D=E50208)	1	1	1	1				N
7	1	119370-07100	LABEL (C=EXXXXX)			1					Z
9	1	194170-65891	LABEL, SEAT	1	1	1	1				
10	1	120324-07240	LABEL, DANGER (A=E10960) (B=E21952) (C=E23158) (D=E50957)	1	1	1	1				W
11	1	128296-07300	LABEL, DANGER (A=E10960) (B=E21952) (C=E23158) (D=E50957)	1	1	1	1				W
12	1	128296-07350	LABEL, DANGER (A=E10960) (B=E21952) (C=E23158) (D=E50957)	1	1	1	1				W
13	1	196630-12980	LABEL, CAUTION (A=E10960) (B=E21952) (C=E23158) (D=E50957)	1	1	1	1				W
14	1	128296-07190	LABEL, LOOSE PARTS (A=E10984) (B=E21907) (C=E23055) (D=E50808)	1	1	1	1				W
15	2	128296-07400	LABEL, DANGER (A=E10984) (B=E21907) (C=E23055) (D=E50808)	2	2	2	2				W
16	2	128296-07420	LABEL, DANGER (A=E10984) (B=E21907) (C=E23055) (D=E50808)	1	1	1	1				W
17	2	128296-07450	LABEL, DANGER (A=E10984) (B=E21907) (C=E23055) (D=E50808)	1	1	1	1				W
18	2	128296-07460	LABEL, DANGER (A=E10984) (B=E21907) (C=E23055) (D=E50808)	1	1	1	1				W
19	1	119171-07500	LABEL, BSO (A=E10692)	1							W
19-1	1	119171-07501	LABEL, BSO (A=E10921)	1							N
19A	1	119172-07500	LABEL, BSO (B=E21442)		1						W
19A-1	1	119172-07501	LABEL, BSO		1						N

Fig.6. LABEL

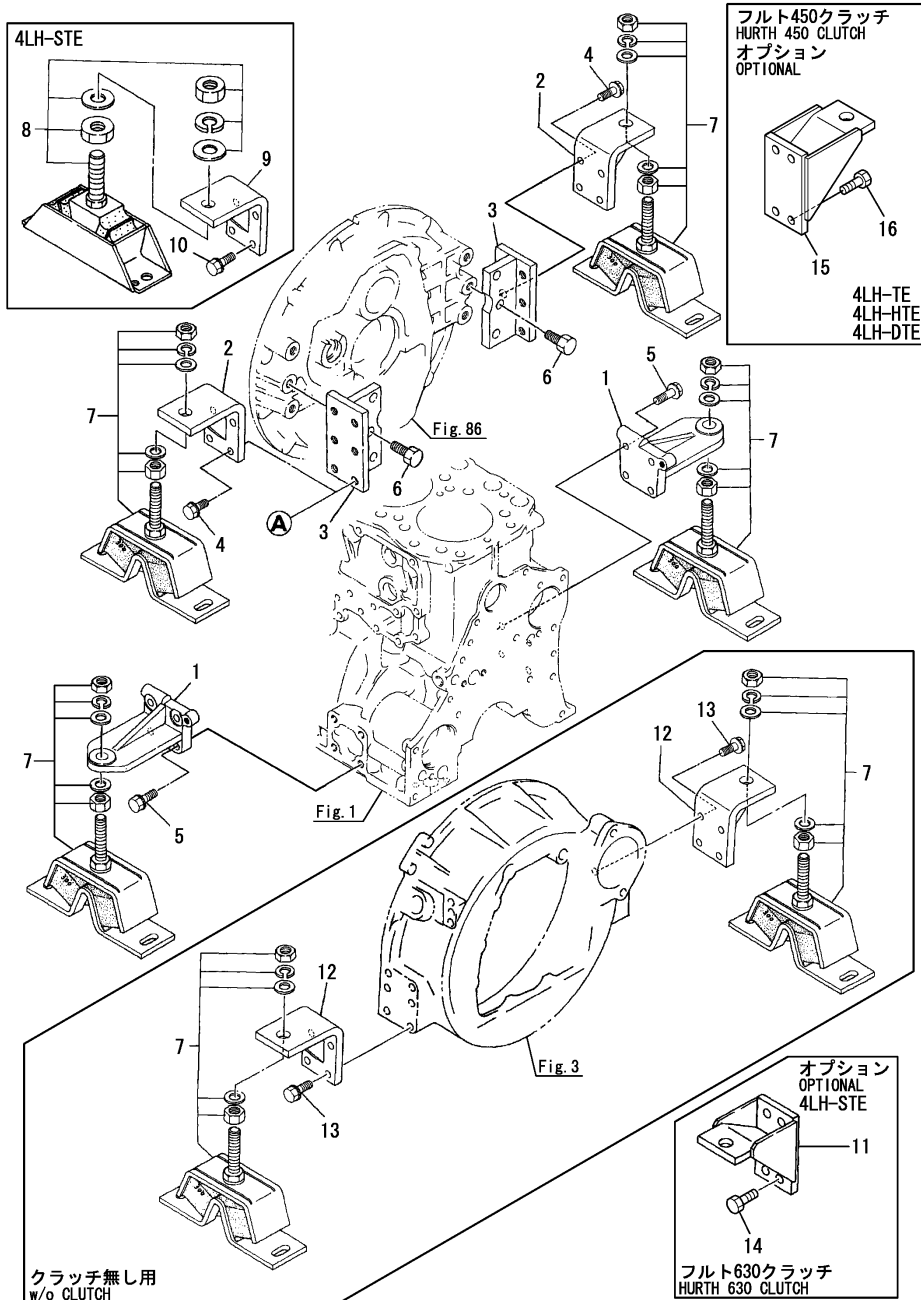


(A)=4LH-TE
(B)=4LH-HTE
(C)=4LH-DTE

(D)=4LH-STE
(E)=
(F)=

No.	Lev.	Parts No.	Description	Q'ty						I	R
				(A)	(B)	(C)	(D)	(E)	(F)		
			(B=E21833)								
19B	1	119173-07500	LABEL, BSO (C=E21876)			1					W
19C	1	119175-07500	LABEL, BSO (D=E50808)				1				W
20	1	123682-07852	LABEL, CAUTION (A=EXXXXX) (B=EXXXXX) (C=EXXXXX) (D=EXXXXX)	1	1	1	1				W

Fig.7. ENGINE BRACKET

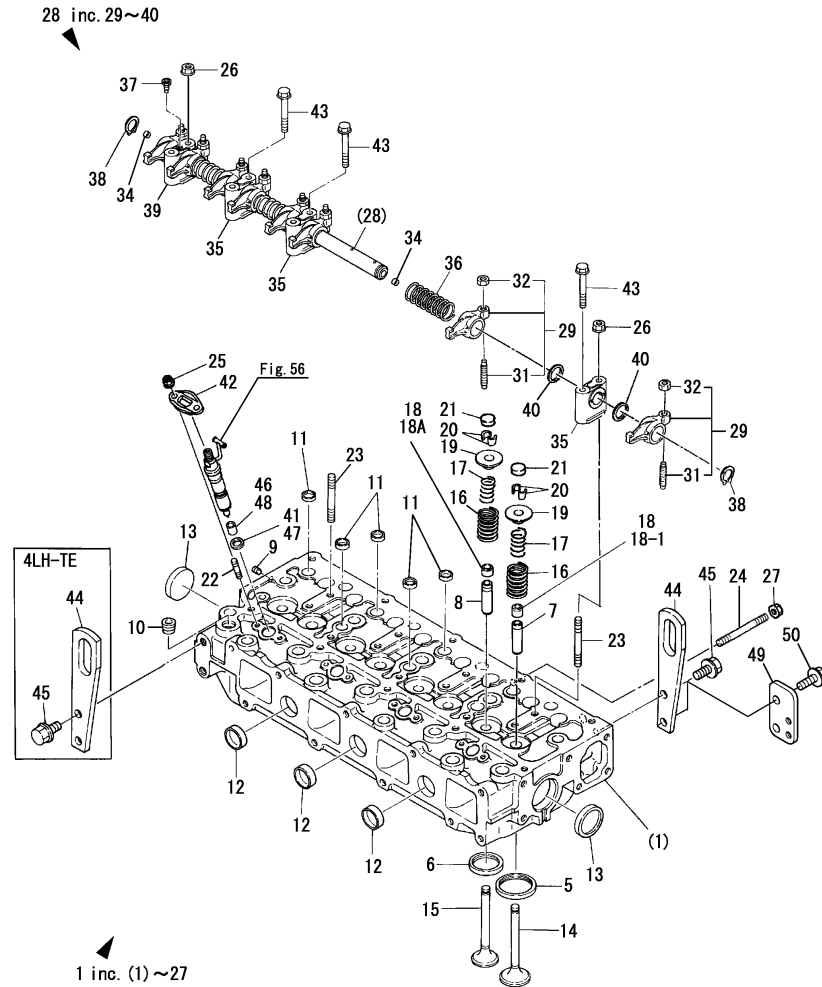


(A)=4LH-TE
(B)=4LH-HTE
(C)=4LH-DTE

(D)=4LH-STE
(E)=
(F)=

No.	Lev.	Parts No.	Description	Qty						I	R
				(A)	(B)	(C)	(D)	(E)	(F)		
1	1	119171-08100	FOOT, MOUNTING	2	2	2					
1-1	1	119173-08100	FOOT, MOUNTING	2	2	2	2				N
		(A=*1991.06) (B=*1991.06) (C=*1991.06)									
2	1	119171-08110	FOOT, MOUNTING	2	2	2					
2-1	1	119171-08111	FOOT, MOUNTING	2	2	2					N
		(A=E10758) (B=E21542) (C=E22234)									
3	1	119171-08130	BRACKET	2	2	2					
3-1	1	119171-08131	BRACKET	2	2	2					N
		(A=E10803) (B=E21610) (C=E22489)									
4	1	26106-100252	BOLT, M10X 25 PLATED	8	8	8	8				
5	1	26106-100302	BOLT, M10X 30 PLATED	8	8	8	8				
6	1	26116-120302	BOLT, M12X 30 PLATED	6	6	6	6				
7	1	119171-08440	MOUNT, FLEXIBLE 300	4	4						
7-1	1	119173-08440	MOUNT, FLEXIBLE 300	4	4	4					S
		(A=*1989.06) (B=*1989.06)									
8	1	119173-08330	ABSORBER					4			W
9	1	119181-08110	FOOT, MOUNTING					2			
9-1	1	119175-08120	FOOT, MOUNTING					2			N
		(D=E52595)									
10	1	26106-100302	BOLT, M10X 30 PLATED					8			
10-1	1	26106-100352	BOLT, M10X 35 PLATED					8			N
		(D=EXXXXX)									
11	1	119175-08110	FOOT, MOUNTING					2			
11-1	1	119175-08111	FOOT, MOUNTING					2			R
		(D=E52973)									
12	1	119182-08110	FOOT, MOUNTING	2	2	2					W
		(A=*1990.08) (B=*1990.08) (C=*1990.08)									
13	1	26106-100302	BOLT, M10X 30 PLATED	8	8	8					W
		(A=*1990.08) (B=*1990.08) (C=*1990.08)									
14	1	26116-120352	BOLT, M12X 35 PLATED					8			
15	1	119173-08110	FOOT, MOUNTING	2	2	2					W
		(A=E11028) (B=E22082) (C=E23491)									
16	1	26116-120352	BOLT, M12X 35 PLATED	8	8	8					W
		(A=E11028) (B=E22082) (C=E23491)									

Fig.8. CYLINDER HEAD



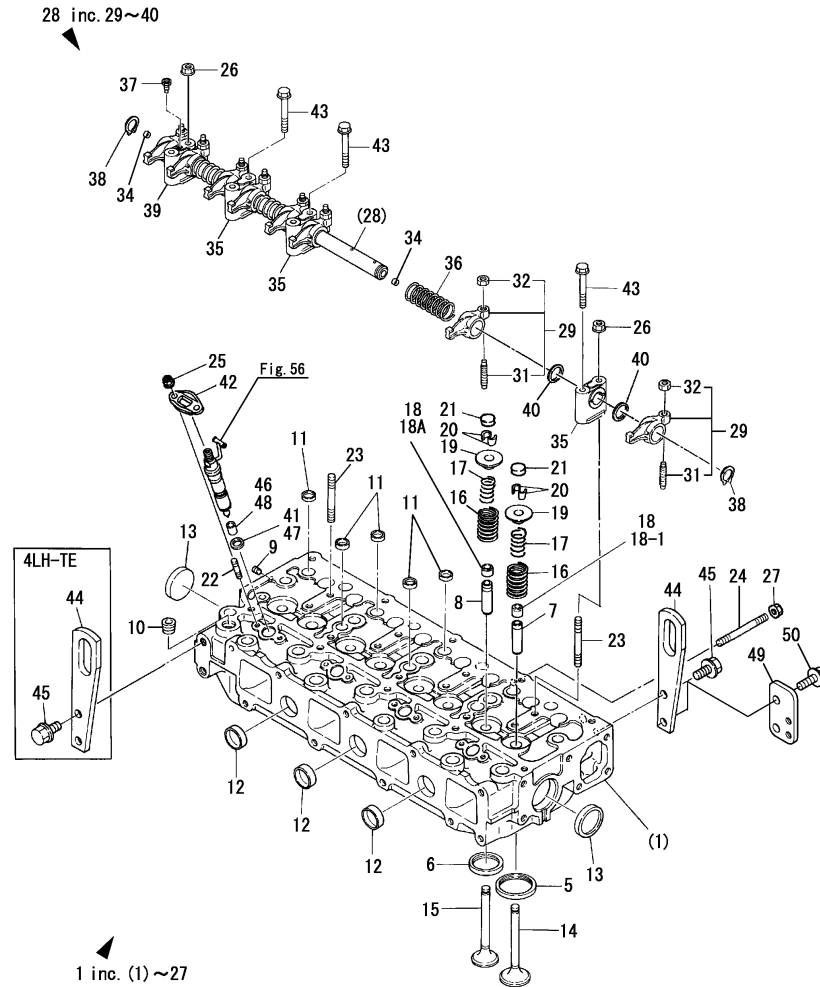
(A)=4LH-TE
(B)=4LH-HTE
(C)=4LH-DTE

(D)=4LH-STE
(E)=
(F)=

No.	Lev.	Parts No.	Description	Q'ty						I	R
				(A)	(B)	(C)	(D)	(E)	(F)		
1	1	719171-11700	HEAD ASSY, CYLINDER	1	1						
1A	1	719173-11700	HEAD ASSY, CYLINDER			1					
1A-1	1	719173-11701	HEAD ASSY, CYLINDER			1					N
1B	1	719195-11700	HEAD ASSY, CYLINDER						1		
5	3	119100-11080	SEAT, INTAKE VALVE	4	4						
5A	3	119173-11080	SEAT, INTAKE VALVE			4	4				
6	3	119100-11090	SEAT, EXHAUST VALVE	4	4						
6A	3	119173-11090	SEAT, EXHAUST VALVE			4	4				
6A-1	3	119173-11091	SEAT, VALVE			4	4				N
7	3	121850-11160	GUIDE, VALVE	4	4	4	4				
8	3	119000-11170	GUIDE, VALVE	4	4	4	4				
9	3	23876-005000	PLUG, R005	1	1	1	1				
10	3	23876-030000	PLUG, R03	1	1	1	1				
11	3	27241-160000	PLUG, 16	7	7	7	4				
11-1	3	119000-11990	PLUG, 16	7	7	7	4				N
12	3	27241-280000	PLUG, 28	3	3	3	3				
12-1	3	119100-11990	PLUG, 28	3	3	3	3				N
13	3	27241-400000	PLUG, 40	2	2	2	2				
13-1	3	119885-01990	PLUG, 40	2	2	2	2				N
14	2	121850-11100	VALVE, INTAKE	4	4						
14A	2	119173-11100	VALVE, INTAKE			4					
14A-1	2	119173-11101	VALVE, INTAKE			4	4				S 1
15	2	119101-11110	VALVE, EXHAUST	4	4						
15-1	2	119171-11110	VALVE, EXHAUST	4	4						N
15A	2	119173-11110	VALVE, EXHAUST			4					
15B	2	119593-11110	VALVE, EXHAUST				4				
16	2	124617-11120	SPRING, VALVE OUTER	8	8	8	8				
17	2	124617-11130	SPRING, VALVE INNER	8	8	8	8				
18	2	121850-11150	SEAL, VALVE STEM	8	8						
18-1	2	121850-11150	SEAL, VALVE STEM	4	4	4	4				K
18A	2	119171-11150	SEAL, VALVE STEM	4	4	4	4				W
19	2	124411-11180	RETAINER, SPRING	8	8	8	8				
20	2	124250-11190	COTTER	8	8	8					
20-1	2	124250-11190	COTTER	16	16	16					K
20-2	2	27310-090001	COTTER, 9	8	8	8	8				N
21	2	119171-11370	CAP, VALVE	8	8	8	8				
22	2	26216-060252	STUD, M6X 25	8	8	8					
22-1	2	119593-11910	BOLT	8	8	8	8				R
22-2	2	119175-11910	BOLT	8	8	8	8				N

Remarks
(1)Interchangeable by simultaneous replacement with Fig.28 No.1A-1.

Fig.8. CYLINDER HEAD



(A)=4LH-TE
(B)=4LH-HTE
(C)=4LH-DTE

(D)=4LH-STE
(E)=
(F)=

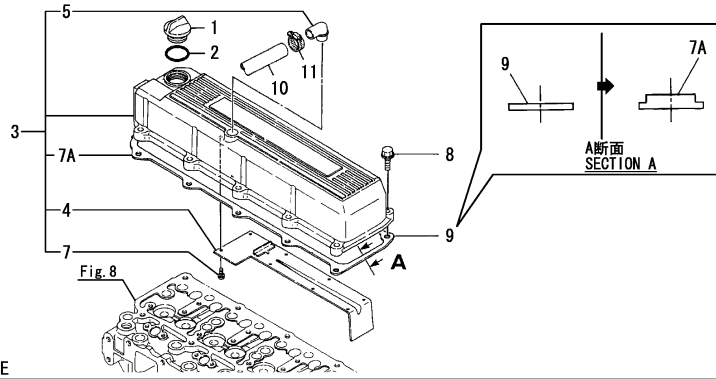
No.	Lev.	Parts No.	Description	Q'ty						I	R
				(A)	(B)	(C)	(D)	(E)	(F)		
		(A=E11104) (B=E22452) (C=E24005) (D=E51968)									
23	2	26216-080602	STUD, M8X 60	2	2						
23-1	2	26216-080652	STUD, M8X 65	2	2	2	2				N
		(A=*1987.09) (B=*1987.09)									
24	2	26216-081052	STUD, M8X105	2	2	2					
24-1	2	26216-081102	STUD, M8X110	2	2	2					N
		(A=EXXXXX) (B=EXXXXX) (C=EXXXXX)									
24A	2	26216-081402	STUD, M8X140						2		
25	2	26366-060002	NUT, M6	8	8	8	8				
26	2	26366-080002	NUT, M8	2	2	2	2				
26-1	2	26306-080002	NUT, M8	2	2	2	2				N
		(A=EXXXXX) (B=EXXXXX) (C=EXXXXX) (D=EXXXXX)									
27	2	26366-080002	NUT, M8	2	2	2	2				
27-1	2	26306-080002	NUT, M8	2	2	2	2				N
		(A=EXXXXX) (B=EXXXXX) (C=EXXXXX) (D=EXXXXX)									
28	1	119100-11240	SHAFT ASSY, ROCKER	1	1						
28-1	1	119100-11230	SHAFT ASSY, ROCKER	1	1						N
		(A=*1992.01) (B=*1992.01)									
28A	1	119173-11240	SHAFT ASSY, ROCKER				1	1			
29	2	719129-11650	ARM ASSY, ROCKER	8	8	8					
29-1	2	719129-11660	ARM ASSY, ROCKER	8	8	8	8				N
		(A=*1992.01) (B=*1992.01) (C=*1992.01)									
31	3	129150-11230	SCREW, VALVE ADJUST	8	8						
31-1	3	119000-11230	SCREW, VALVE ADJUST	8	8	8	8				N
		(A=*1987.12) (B=*1987.12)									
32	3	129150-11750	NUT, M8	8	8	8	8				
34	3	27241-100000	PLUG, 10	2	2	2	2				
35	2	119000-11270	SUPPORT, ROCKER ARM	3	3	3	3				
36	2	119000-11280	SPRING	3	3	3	3				
37	2	119000-11290	BOLT	1	1	1	1				
38	2	22242-000180	RING, 18	2	2	2	2				
39	2	119000-11260	SUPPORT, ROCKER ARM	1	1	1	1				
40	2	119173-11350	SPACER				8	8			
41	1	119625-11880	SEAT, NOZZLE	4	4	4					
42	1	119625-11900	RETAINER, NOZZLE	4	4	4	4				
43	1	26106-080652	BOLT, M8X 65 PLATED	6	6	6	6				
44	1	119000-07200	LIFTER	2	1	1	1				
45	1	26106-100202	BOLT, M10X 20 PLATED	4	2	2	2				
46	1	119593-11870	INSULATOR						4		
47	1	119593-11880	SEAT, VALVE							4	
48	1	119625-11870	PROTECTOR, NOZZLE	4	4	4					
49	1	119172-77160	SUPPORT	1	1	1	1				W
		(A=E11219) (B=E22835) (C=E24537) (D=E52458)									
50	1	26106-100252	BOLT, M10X 25 PLATED	2	2	2	2				W
		(A=E11219) (B=E22835) (C=E24537) (D=E52458)									

Remarks
(1)Interchangeable by simultaneous replacement with Fig.28 No.1A-1.

Fig.9. BONNET & BREATHER

(A)=4LH-TE
(B)=4LH-HTE
(C)=4LH-DTE

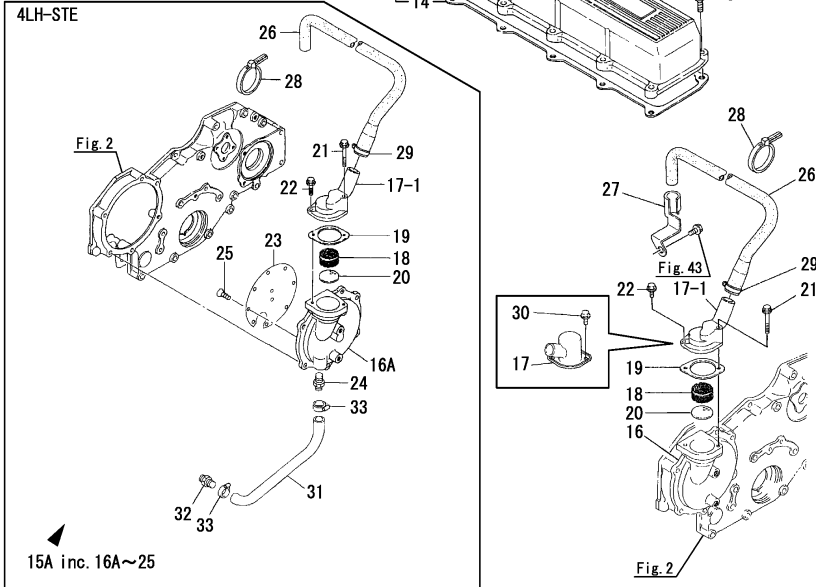
(D)=4LH-STE
(E)=
(F)=



4LH-TE
4LH-HTE
4LH-DTE
4LH-STE

15 inc. 16~22

4LH-STE



15A inc. 16A~25

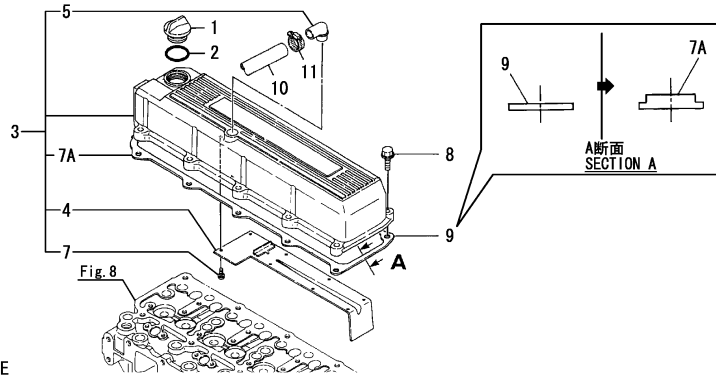
No.	Lev.	Parts No.	Description	Q'ty						I	R
				(A)	(B)	(C)	(D)	(E)	(F)		
1	1	124160-01751	COVER, FILLER	1	1	1	1				
2	1	121420-01760	O-RING	1	1						
2-1	1	24311-000320	O-RING, 1AP32.0	1	1	1	1				N
3	1	(A=*1988.04) (B=*1988.04) 119100-11310	BONNET ASSY, HEAD	1	1						
3-1	1	119100-11311	BONNET ASSY, HEAD	1	1						N
4	2	(A=*1990.02) (B=*1990.02) 119100-03200	COVER	1	1						
5	2	119100-11330	ELBOW	1	1						
7	2	26022-050122	SCREW, M5X12	11	11						
7-1	2	26476-050102	SCREW, TAPPING M5X10	11	11						R
7A	2	(A=E11276) (B=E23249) 119100-11320	GASKET, BONNET	1	1						W 1
8	1	26106-080252	BOLT, M8X 25 PLATED	10	10	10	10				
9	1	119100-11360	GASKET, BONNET	1	1						Z
10	1	(A=*1990.02) (B=*1990.02) 119171-03091	HOSE, BREATHER	1	1						
10-1	1	(A=*1993.01) (B=*1993.01) 119171-03100	HOSE, BREATHER	1	1						N
11	1	23000-025000	CLAMP, 25	2	2						
11-1	1	23010-025000	CLAMP, 25	1	1						R
11-2	1	(A=*1990.02) (B=*1990.02) 23010-025000	CLAMP, 25	2	2						K
12	1	(A=*1993.01) (B=*1993.01) 119173-11300	BONNET ASSY, HEAD			1	1				
14	2	119100-11320	GASKET, BONNET			1	1				
15	1	119173-03020	COVER ASSY (C=EXXXXX)			1					W
15A	1	119175-03021	COVER ASSY				1				
16	2	119187-01930	COVER (C=EXXXXX)			1					W
16A	2	119174-01932	COVER				1				
17	2	124411-03030	COVER, BREATHER	1							
17-1	2	119173-03030	COVER, BREATHER (C=*1990.07)	1	1						S 1
18	2	121850-03050	FILTER, BREATHER			1	1				
19	2	124411-03050	GASKET			1					
19-1	2	124411-03051	GASKET			1	1				N
20	2	(C=*1991.01) 121750-03080	PLATE, BAFFLE	1	1						
21	2	26106-060452	BOLT, M6X 45 PLATED (C=*1990.07)	1	1						W 1
22	2	26106-060182	BOLT, M6X 18 PLATED (C=*1990.07)	1	1						W 1
23	2	119174-03192	PLATE, BAFFLE				1				
24	2	129466-49110	JOINT, PT1/4				1				
24-1	2	129122-44480	JOINT				1				R
25	2	26557-040062	SCREW, M4X 6 (D=E52090)				9				
26	1	119173-03090	HOSE, BREATHER				1				

Remarks
(1)Interchangeable by simultaneous replacement with Ref.No.17-1, 21,22,26-1.

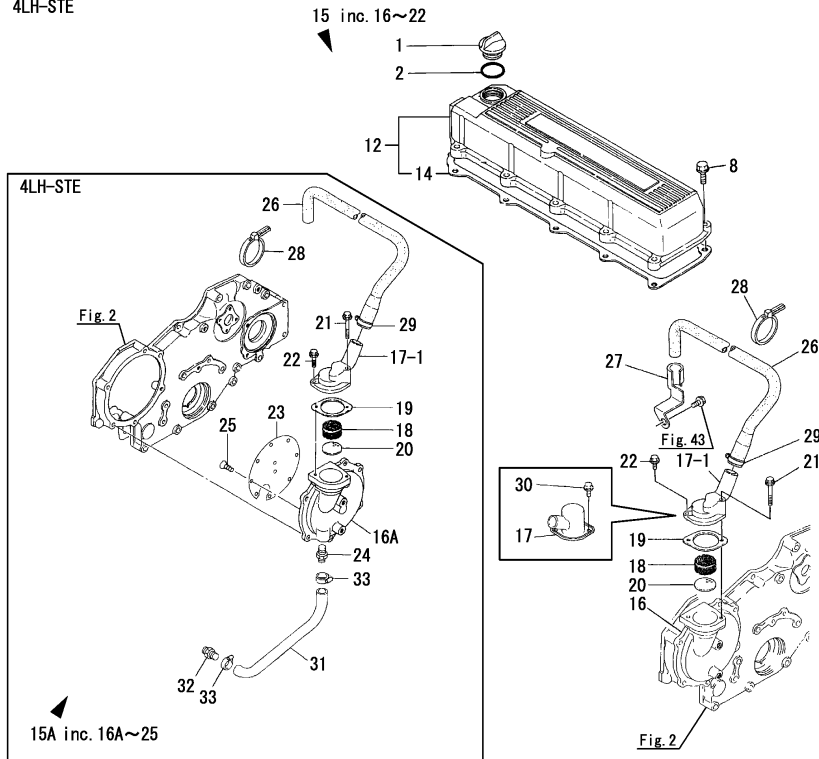
Fig.9. BONNET & BREATHER

(A)=4LH-TE
(B)=4LH-HTE
(C)=4LH-DTE

(D)=4LH-STE
(E)=
(F)=



4LH-TE
4LH-HTE
4LH-DTE
4LH-STE



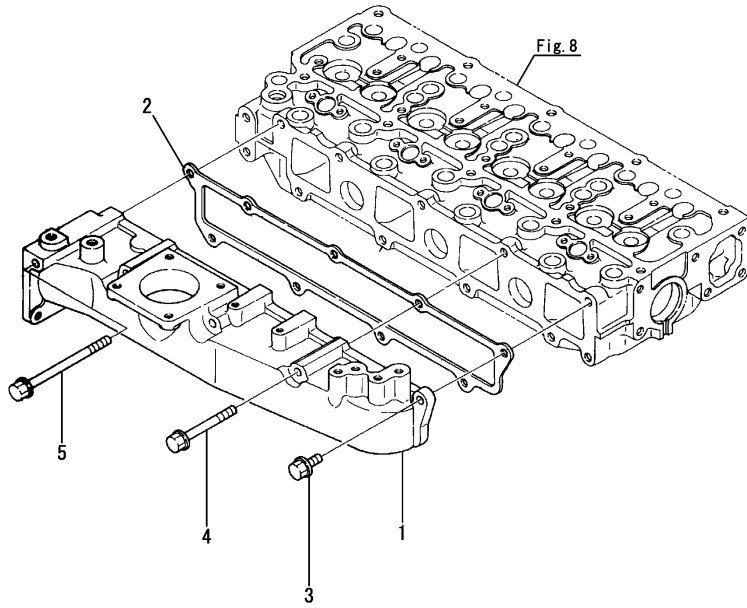
No.	Lev.	Parts No.	Description	Q'ty						I	R	
				(A)	(B)	(C)	(D)	(E)	(F)			
26-1	1	119173-03100	HOSE, BREATHER (C=*1990.07)			1					S	1
26-2	1	119173-03110	HOSE, BREATHER (C=*1993.01)			1	1					N
27	1	119182-03100	SUPPORT (C=*1993.01)			1						Z
28	1	121750-59890	BAND, 140			1	2					
29	1	23000-035000	CLAMP, 35			1	1					
30	1	26106-060122	BOLT, M6X 12 PLATED (C=*1990.07)			2	2					Z
31	1	119174-39700	HOSE, RUBBER					1				
32	1	129466-49110	JOINT, PT1/4					1				
33	1	23000-022000	CLAMP, 22					2				

Remarks
(1)Interchangeable by simultaneous replacement with Ref.No.17-1, 21,22,26-1.

Fig.10. SUCTION MANIFOLD

(A)=4LH-TE
(B)=4LH-HTE
(C)=4LH-DTE

(D)=4LH-STE
(E)=
(F)=



No.	Lev.	Parts No.	Description	Q'ty						I	R
				(A)	(B)	(C)	(D)	(E)	(F)		
1	1	119100-12100	MANIFOLD, AIR INTAKE	1	1	1	1				
2	1	119100-12110	GASKET, MANIFOLD	1	1	1					
2-1	1	119100-12112	GASKET, MANIFOLD	1	1	1	1				R
2-2	1	119100-12113	GASKET, MANIFOLD	1	1	1	1				N
		(A=*1990.07) (A=E11167)	(B=*1990.07) (B=E22606)	(C=*1990.07) (C=E24300)	(D=E52232)						
3	1	26106-080202	BOLT, M8X 20 PLATED	5	5	5	5				
4	1	26106-080702	BOLT, M8X 70 PLATED	3	3	3	3				
5	1	26106-081152	BOLT, M8X115 PLATED	1	1	1	1				

Fig.11. MIXING ELBOW

(A)=4LH-TE
(B)=4LH-HTE
(C)=4LH-DTE

(D)=4LH-STE
(E)=
(F)=

No.	Lev.	Parts No.	Description	Q'ty						I	R
				(A)	(B)	(C)	(D)	(E)	(F)		
1	1	119173-13500	ELBOW			1					
1-1	1	119173-13501	ELBOW (C=*1989.09)			1					S
2	1	119171-13490	ELBOW ASSY	1	1						
4	2	27233-250000	PLUG	1	1						
5	1	26366-080002	NUT (C=*1989.09)	3	3	4	3				W
5-1	1	26306-080002 (A=*2001.03) (B=*2001.03)	NUT (C=*2001.03) (D=*2001.03)	3	3	4	3				N
6	1	119173-49010	HOSE (C=*1992.06)			1	1				W
7	1	23000-048000	CLAMP, HOSE (C=E21968)			2	2				W
8	1	26216-080202 (C=*1989.09)	STUD			4	3				W
9	1	119181-13500	ELBOW						1		
10	1	119171-13510	GASKET	1	1	1	1				
11	1	119171-13530	ELBOW	1	1	1					
13	2	27233-250000 (A=*1987.08) (B=*1987.08)	PLUG	1	1						Z
14	1	26366-080002	NUT	3	3						
14-1	1	26306-080002 (A=*2001.03) (B=*2001.03)	NUT	3	3						N
15	1	119171-13550 (A=*1987.08) (B=*1987.08)	SUPPORT	1	1						W
16	1	26106-080162 (A=*1987.08) (B=*1987.08)	BOLT	6	6	6					W
17	1	119171-13510	GASKET	1	1		1				
18	1	119173-18810	GASKET				1				
18-1	1	119173-18811	GASKET (C=*1989.09)				1				S
19	1	119183-13550	SUPPORT				1				
20	1	119183-13560	SPACER				1				
21	1	119183-49010	HOSE				1				
22	1	26450-080252	BOLT				4				
23	1	26216-080202	STUD				3				
24	1	26366-080002	NUT				3				
24-1	1	26306-080002 (C=*2001.03)	NUT				3				N
25	1	119174-13501	ELBOW						1		
26	1	119174-13553	SUPPORT						1		
27	1	119171-49010	PIPE						1		
28	1	26106-080202	BOLT						4		
29	1	26106-080162	BOLT						2		
30	1	119173-18710 (C=*1989.09)	V-CLAMP				1				Z

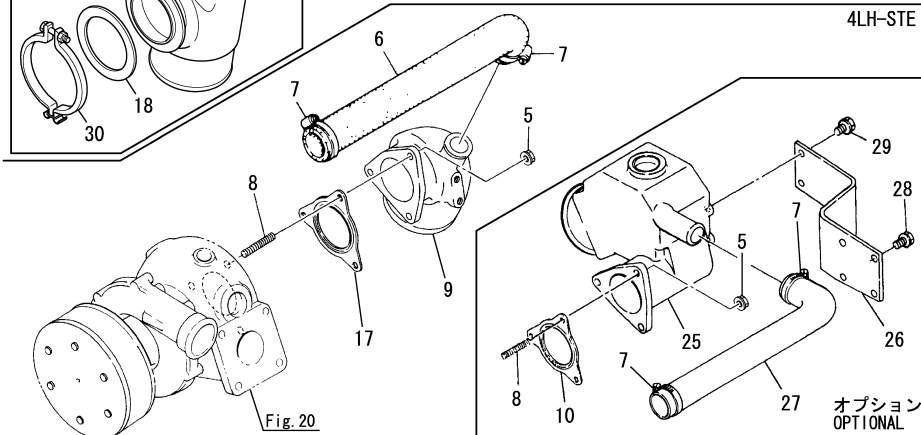
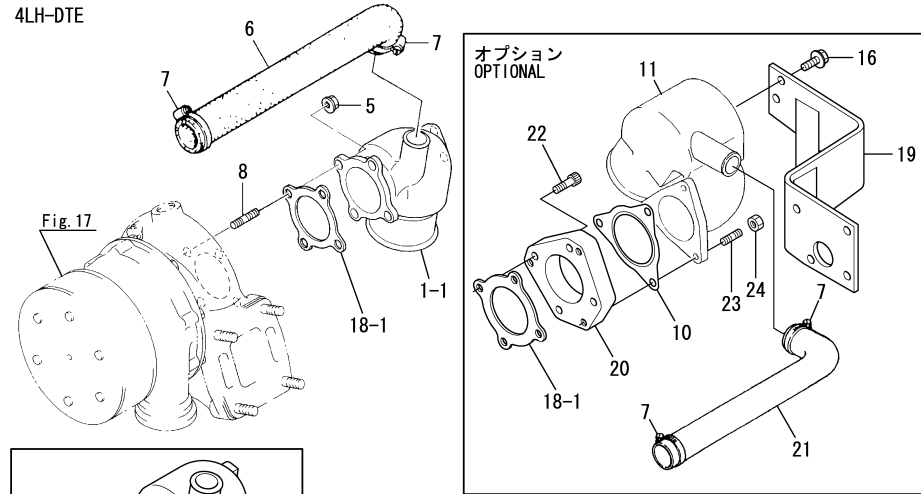
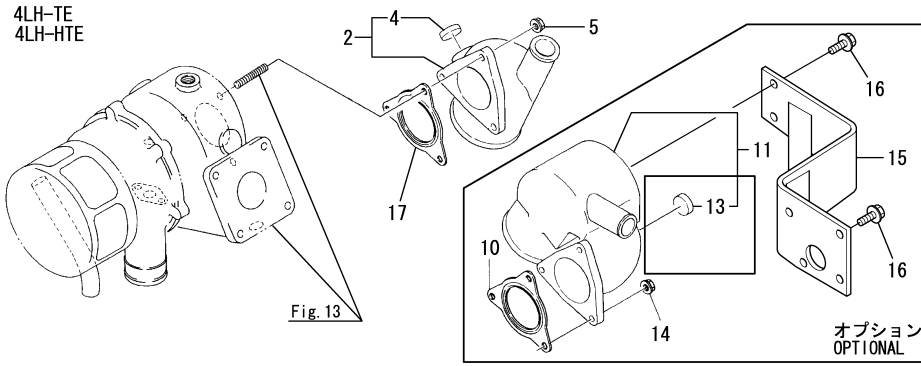


Fig.12. CAMSHAFT

(A)=4LH-TE
(B)=4LH-HTE
(C)=4LH-DTE

(D)=4LH-STE
(E)=
(F)=

No.	Lev.	Parts No.	Description	Q'ty						I	R
				(A)	(B)	(C)	(D)	(E)	(F)		
1	1	119171-14000	CAMSHAFT ASSY	1	1	1					
1A	1	119195-14000	CAMSHAFT ASSY						1		
2	2	119000-02450	BEARING, THRUST	1	1	1	1				
4	2	119000-14100	GEAR, CAMSHAFT Z=48	1	1	1	1				
5	2	22512-070140	KEY, 7X 14	1	1	1	1				
6	1	119000-14200	TAPPET	8	8	8	8				
7	1	129150-14400	ROD, PUSH L=178	8	8						
7-1	1	119171-14400	ROD, PUSH L=178	8	8	8	8				N
		(A=*1987.11)	(B=*1987.11)								
8	1	26106-080162	BOLT, M8X 16 PLATED	2	2	2	2				
9	1	119000-25050	SHAFT, IDLE GEAR	1	1	1	1				
10	1	119000-25100	GEAR ASSY, IDLE Z=51	1	1	1	1				
12	2	119000-25060	BUSH, IDLE GEAR	1	1	1	1				
13	1	119174-25060	BOLT, M8X45	2	2	2	2				

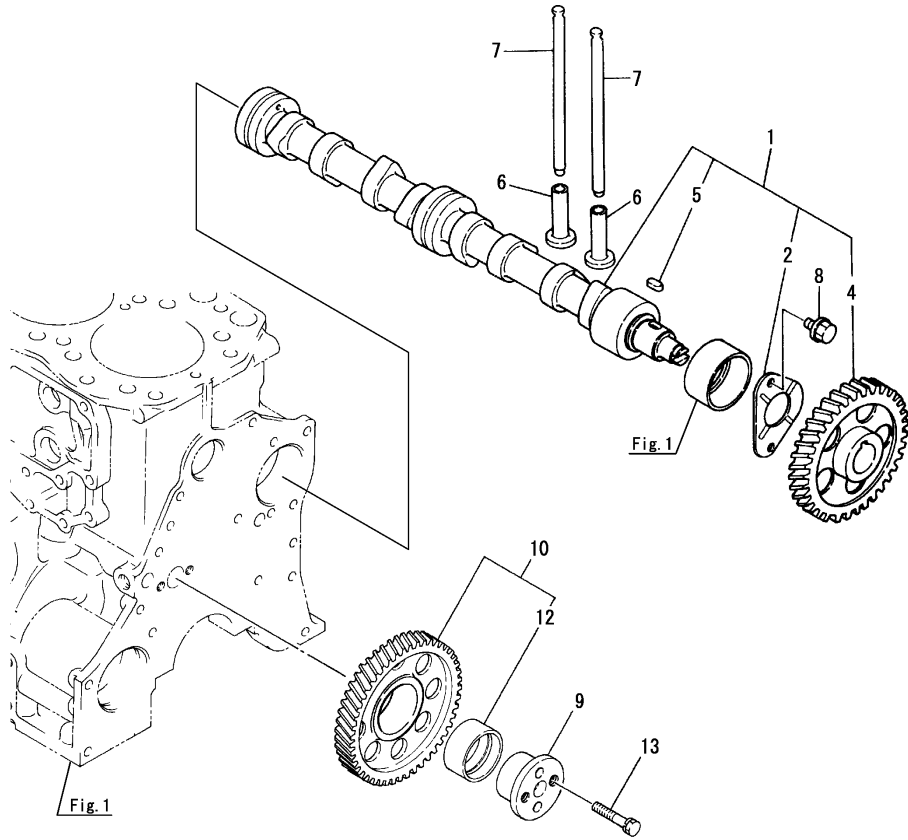
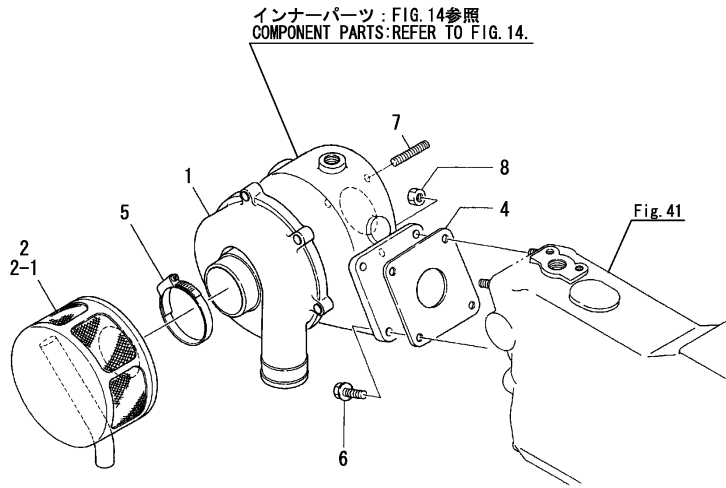


Fig.13. TURBOCHARGER(4LH-TE,HTE)

(A)=4LH-TE
(B)=4LH-HTE
(C)=4LH-DTE

(D)=4LH-STE
(E)=
(F)=

4LH-TE



No.	Lev.	Parts No.	Description	Q'ty						I	R
				(A)	(B)	(C)	(D)	(E)	(F)		
1	1	119171-18010	TURBINE, RHC61W	1	1						
1-1	1	119172-18010	TURBINE, RHC61W (B=E21806)		1						N
1-2	1	119172-18011	TURBINE, RHC61W (B=E22847)		1						N
2	1	119171-12300	SILENCER ASSY	1	1						
2-1	1	119171-12301	SILENCER ASSY (A=*1993.01) (B=*1993.01)	1	1						N
2-2	1	119173-18860	SILENCER (B=E21806)		1						S
3	2	119173-18880	FILTER, 55MM (B=E21806)		1						W
4	1	128300-13230	GASKET, SILENCER	1	1						
5	1	23000-070000	CLAMP, 70	1	1						
5-1	1	23000-080000	CLAMP, 80 (B=E21806)		1						S
6	1	26106-100302	BOLT, M10X 30 PLATED	2	2						
6-1	1	26203-100302	BOLT, M10X 30 PLATED (A=*1987.08) (B=*1987.08)	2	2						N
7	1	26216-080202	STUD, M8X 20	3	3						
8	1	26366-100002	NUT, M10	2	2						
8-1	1	26703-100002	NUT, M10 (A=*1987.08) (B=*1987.08)	2	2						N

4LH-HTE

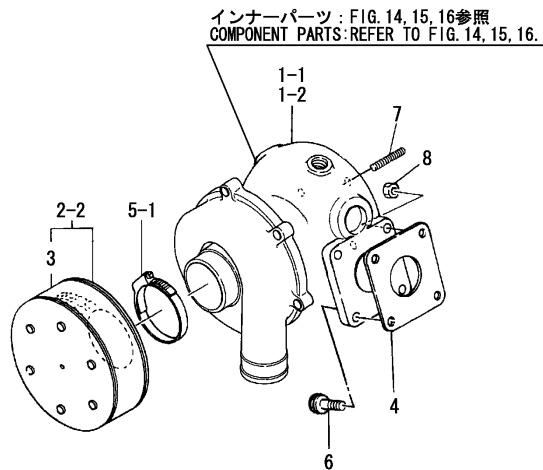
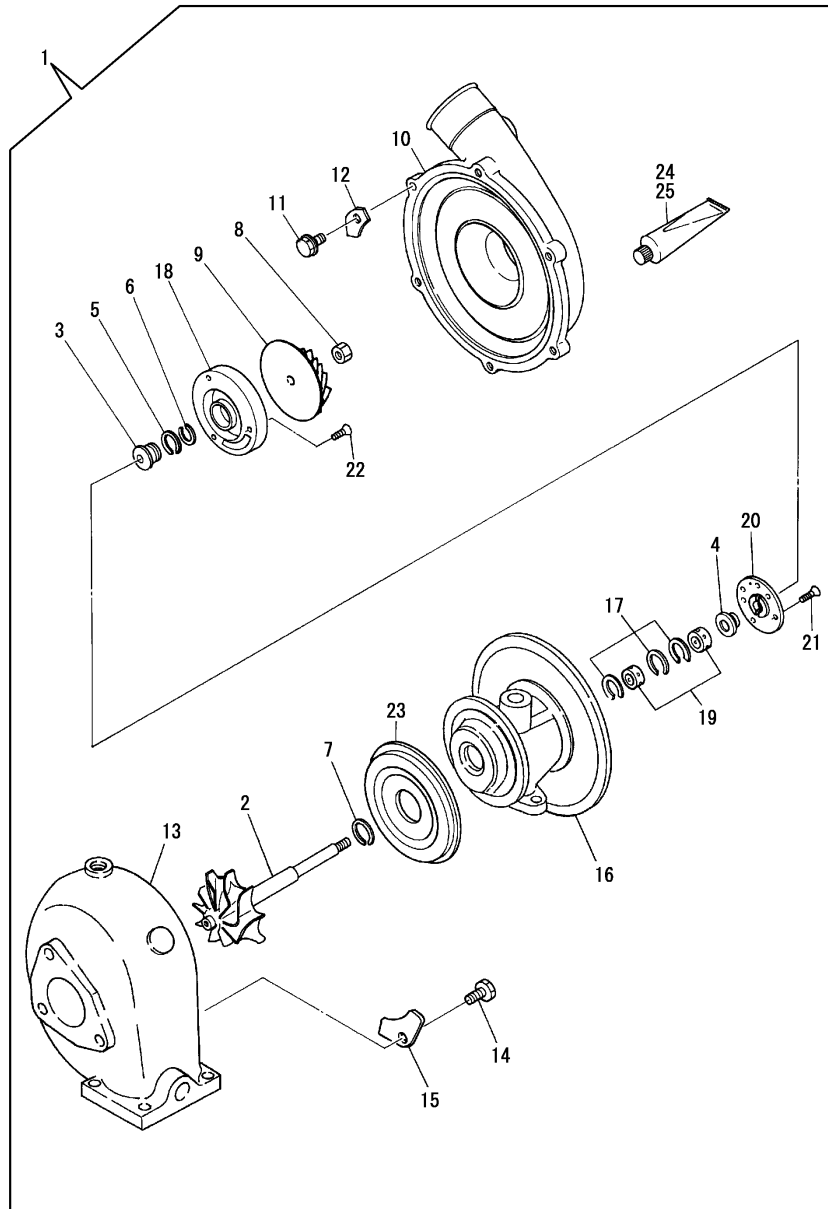


Fig.14. TURBOCHARGER COMPONENT PARTS(4LH-TE,HTE)



(A)=4LH-TE
(B)=4LH-HTE
(C)=4LH-DTE

(D)=4LH-STE
(E)=
(F)=

No.	Lev.	Parts No.	Description	Q'ty						I	R
				(A)	(B)	(C)	(D)	(E)	(F)		
1	1	119171-18010	TURBINE, RHC61W	1	1						
2	2	XNH161300	ROTOR PARTS SET	1	1						
3	2	XNN191113	OIL DRIP	1	1						
4	2	XNN971005	BUSH	1	1						
5	2	XNN171006	SEAL RING	1	1						
6	2	XNN131008	SEAL RING,BLOW.SIDE	1	1						
7	2	XNN971007	SEAL RING	1	1						
8	2	XNN191109	LOCK NUT	1	1						
9	2	XNH165203	WHEEL BR504A	1	1						
10	2	XNE964530	HOUSING, BLOWER	1	1						
11	2	XNH164105	BOLT M6	6	6						
12	2	XNH164106	BRACKET	6	6						
13	2	XNE967160	HOUSING, TURBO.	1	1						
14	2	XNN196103	BOLT	6	6						
15	2	XNN197404	RETAINER	6	6						
16	2	XNH163150	HOUSING	1	1						
17	2	XNN977003	RETAINING RING	3	3						
18	2	XNN193012	PLATE, SEAL	1	1						
19	2	XNN973503	BEARING,FLO.JOURNAL	2	2						
20	2	XNN193502	BERRING, THRUST	1	1						
21	2	XNN977006	SCREW	4	4						
22	2	XNN977008	SCREW M4	3	3						
23	2	XNN193315	HEAT PROTECTOR	1	1						
24	2	XNN193653	GASKET, RIQUID	1	1						
25	2	XNN193655	BONDO	1	1						

Fig.15. TURBOCHARGER COMPONENT PARTS(4LH-HTE)

(A)=4LH-TE
(B)=4LH-HTE
(C)=4LH-DTE

(D)=4LH-STE
(E)=
(F)=

No.	Lev.	Parts No.	Description	Qty						I	R
				(A)	(B)	(C)	(D)	(E)	(F)		
1	1	119172-18010	TURBINE, RHC61W		1						
2	2	XNH261120	TURBIN SHAFT ASSY		1						
3	2	XNH261081	BUSH		1						
4	2	XNH261082	COVER		1						
5	2	XNN131008	SEAL RING,BLOW.SIDE		1						
6	2	XNN171006	SEAL RING		1						
7	2	XNN971007	SEAL RING		1						
8	2	XNH261107	NUT,SHAFT END		1						
9	2	XNH265520	IMPELLER,COMPRESSOR		1						
10	2	XNN193012	PLATE, SEAL		1						
11	2	XNH263501	METAL,FLOATING		2						
12	2	XNH263502	BEARING, THRUST		1						
13	2	XNH264962	HOUSING		1						
14	2	XNH164106	BRACKET		6						
15	2	XNH164105	BOLT M6		6						
16	2	XNE967440	HOUSING,TURBINE		1						
17	2	XNH163329	INSULATOR, SILENCER		1						
18	2	XNH137423	RETAINER		5						
19	2	XNN137007	BOLT, M8		5						
20	2	XNB133206	SCREW		4						
21	2	XNH163006	SCREW M4		3						
22	2	XNH163331	HOUSING, BEARING		1						
23	2	XNN977003	RETAINING RING		3						

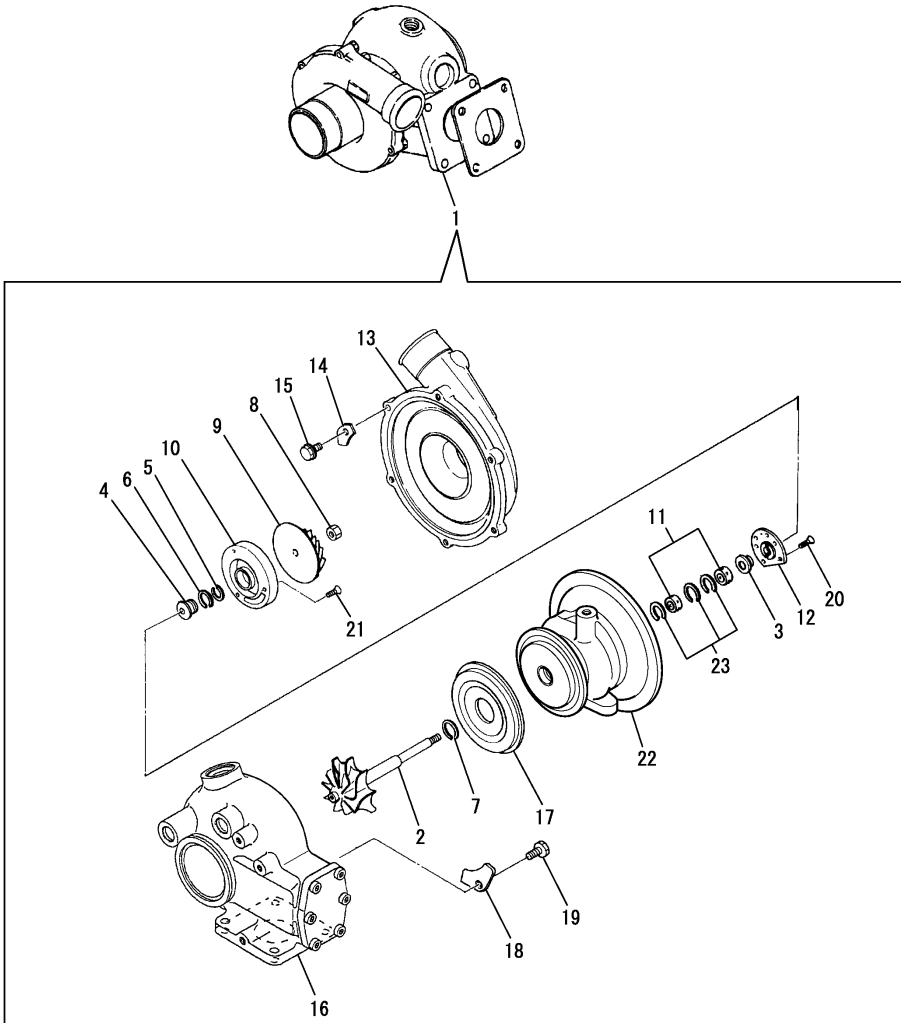
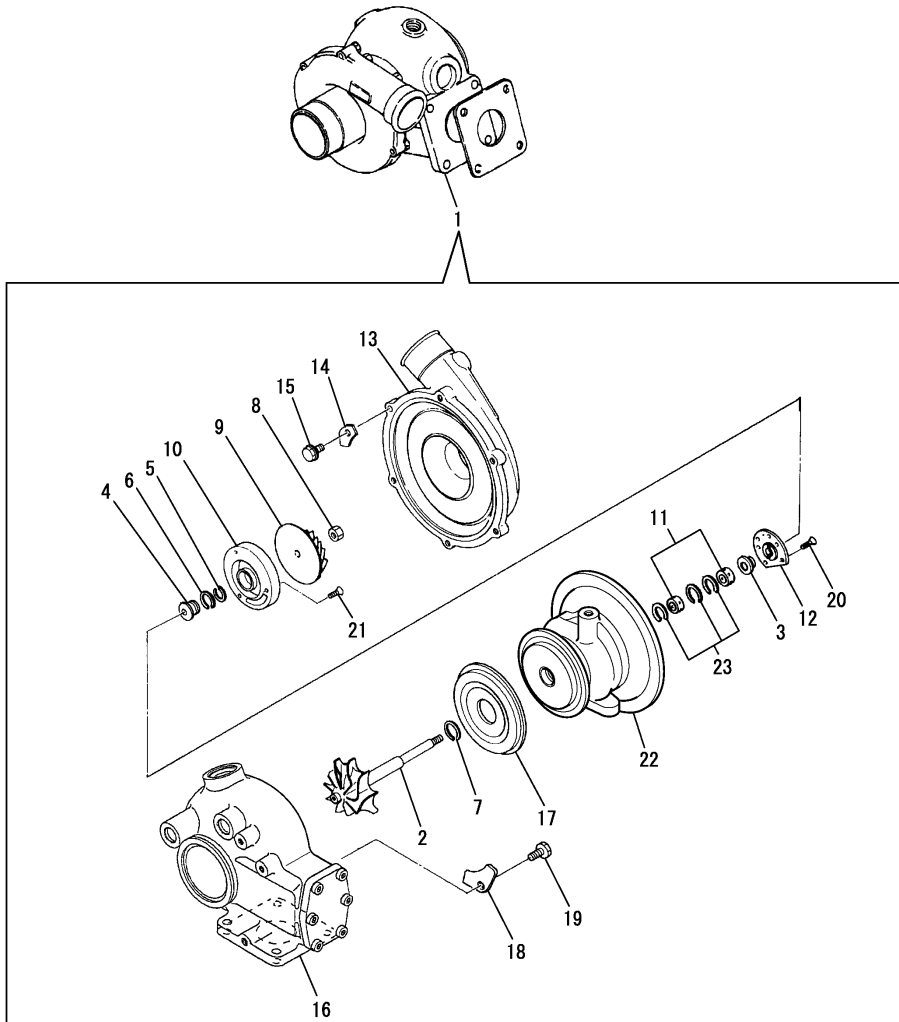


Fig.16. TURBOCHARGER COMPONENT PARTS(4LH-HTE)

(A)=4LH-TE
(B)=4LH-HTE
(C)=4LH-DTE

(D)=4LH-STE
(E)=
(F)=

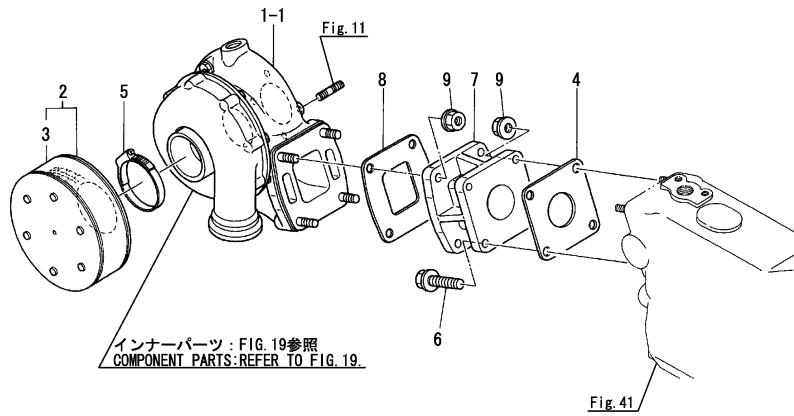
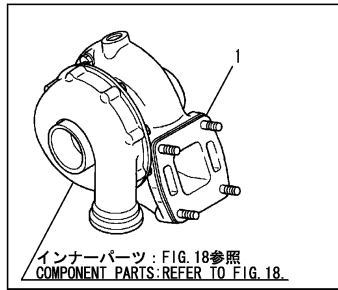


No.	Lev.	Parts No.	Description	Qty						I	R
				(A)	(B)	(C)	(D)	(E)	(F)		
1	1	119172-18011	TURBINE, RHC61W		1						
2	2	XNH261101	TURBIN SHAFT ASSY		1						
3	2	XNH261081	BUSH		1						
4	2	XNH261082	COVER		1						
5	2	XNN131008	SEAL RING,BLOW.SIDE		1						
6	2	XNN171006	SEAL RING		1						
7	2	XNN971007	SEAL RING		1						
8	2	XNH261107	NUT,SHAFT END		1						
9	2	XNH265520	IMPELLER,COMPRESSOR		1						
10	2	XNN193012	PLATE, SEAL		1						
11	2	XNH263501	METAL,FLOATING		2						
12	2	XNH263502	BEARING, THRUST		1						
13	2	XNH264962	HOUSING		1						
14	2	XNH164106	BRACKET		6						
15	2	XNH164105	BOLT M6		6						
16	2	XNH167606	HOUSING,TURBINE		1						
17	2	XNH163329	INSULATOR, SILENCER		1						
18	2	XNH137423	RETAINER		5						
19	2	XNN137007	BOLT, M8		5						
20	2	XNB133206	SCREW		4						
21	2	XNH163006	SCREW M4		3						
22	2	XNH163376	HOUSING, BEARING		1						
23	2	XNN977003	RETAINING RING		3						

Fig.17. TURBOCHARGER(4LH-DTE)

(A)=4LH-TE
(B)=4LH-HTE
(C)=4LH-DTE

(D)=4LH-STE
(E)=
(F)=



No.	Lev.	Parts No.	Description	Q'ty						I	R	
				(A)	(B)	(C)	(D)	(E)	(F)			
1	1	119173-18010	TURBINE, KKK			1						
1-1	1	119173-18011	TURBINE, K26 (C=*1989.09)			1					S	1
2	1	119173-18850	SILENCER			1						
2-1	1	119173-18860	SILENCER (C=*1993.01)			1					N	
3	2	XN199611	FILTER, INLET			1						
3-1	2	119173-18880	FILTER, 55MM (C=FROM 1ST)			1					N	
4	1	128300-13230	GASKET, SILENCER			1						
5	1	23000-080000	CLAMP, 80			1						
6	1	26203-100302	BOLT, M10X 30 PLATED			2						
7	1	119173-18900	BRACKET			1						
8	1	119173-18940	GASKET			1						
9	1	26703-100002	NUT, M10			6						

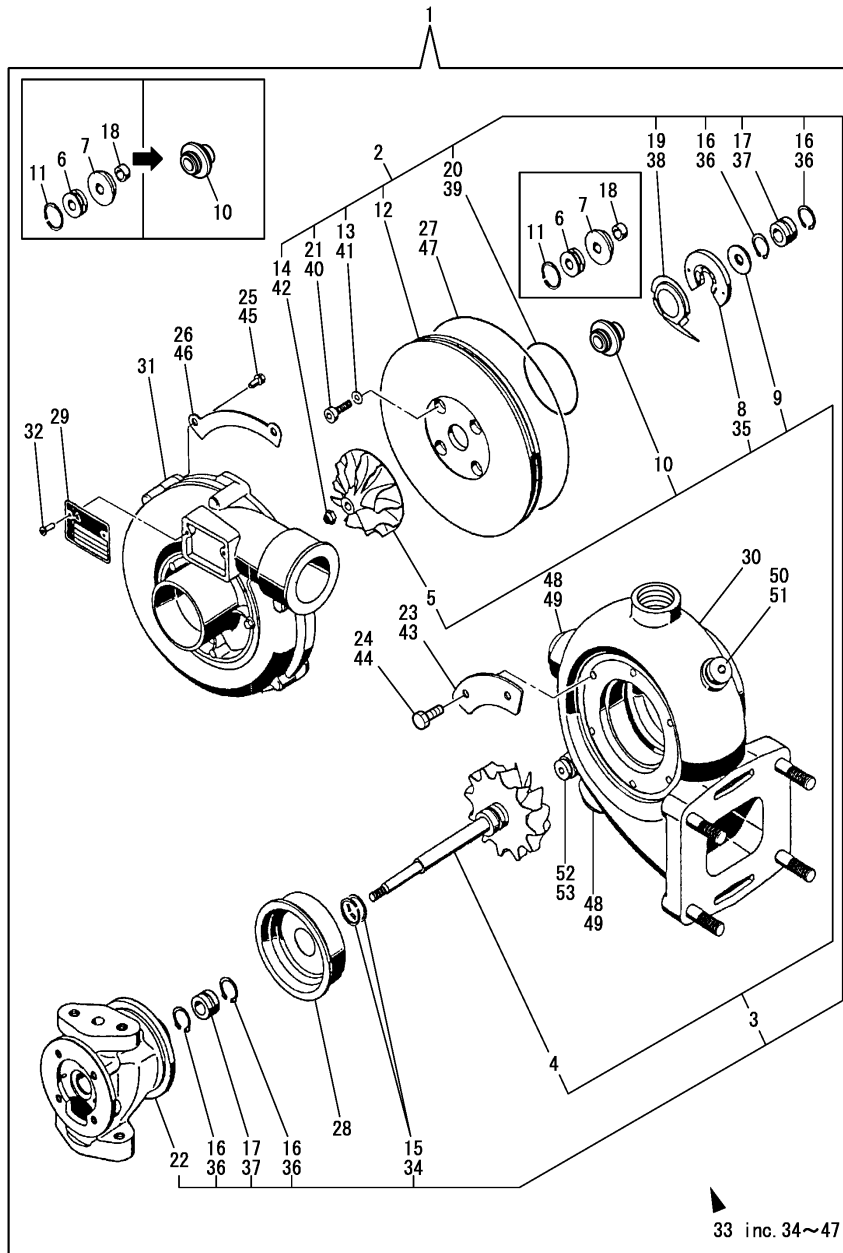
Remarks

(1)Interchangeable by simultaneous replacement with Fig.11 No.1-1,5, 8,18-1.

Fig.18. TURBOCHARGER COMPONENT PARTS(4LH-DTE)

(A)=4LH-TE
(B)=4LH-HTE
(C)=4LH-DTE

(D)=4LH-STE
(E)=
(F)=



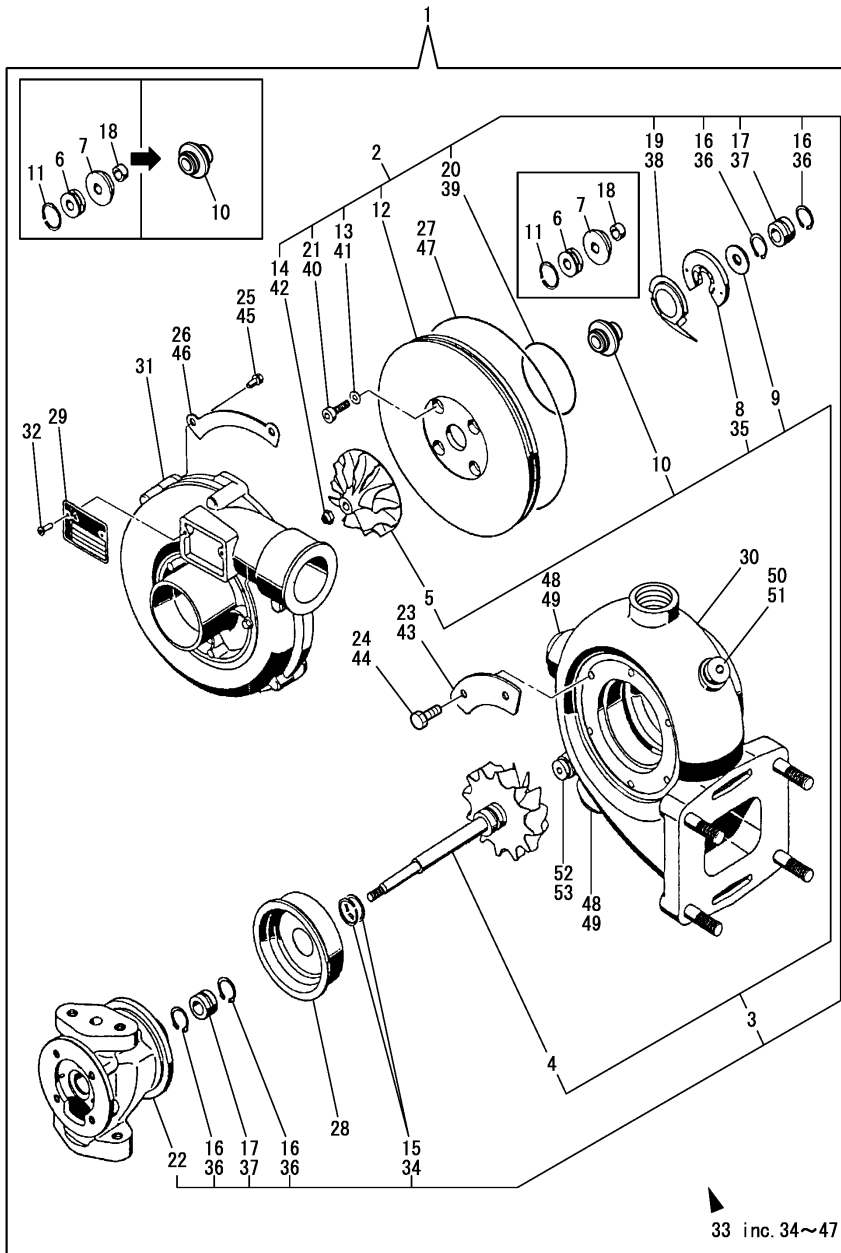
33 inc. 34~47

No.	Lev.	Parts No.	Description	Qty						I	R
				(A)	(B)	(C)	(D)	(E)	(F)		
1	1	119173-18010	TURBINE, KKK			1					
2	2	X3267100058	CORE ASSY			1					
3	3	X3267101126	ROTOR ASSY			1					
4	4	X3261202124	SHAFT, M7 L179			1					
5	4	X3271232035	WHEEL			1					
6	4	X3271270401	SLEEVE			1					Z
			(C=EXXXXX)								
7	4	X3271271000	RING			1					Z
			(C=EXXXXX)								
8	4	X3261551305	BEARING, THRUST			1					
9	4	X3261240000	RING, THRUST			1					
10	4	X3261270407	SLEEVE			1					W
			(C=EXXXXX)								
11	3	X3261270103	RING, PISTON			1					Z
			(C=EXXXXX)								
12	3	X3271515739	PLATE			1					
13	3	X3281593300	WASHER			4					
14	3	X3271280205	NUT, LOCK			1					
15	3	X3271270100	RING			2					
16	3	X3261570400	RING, SNAP			4					
17	3	X3261551003	BUSH			2					
18	3	X3261270500	SPACER			1					Z
			(C=EXXXXX)								
19	3	X3261560800	DEFLECTOR			1					
20	3	X2221580501	O-RING			1					
21	3	X0035192601	BOLT, M6X16			4					
22	3	X3241500004	HOUSING, BEARING			1					
23	2	X3261095805	PLATE			3					
24	2	X0035360328	BOLT, M8X14			6					
25	2	X0035355222	BOLT			8					
26	2	X3271095801	PLATE			4					
27	2	X3271580500	O-RING			1					
28	2	X3261652005	SHIELD, HEAT			1					
29	2	X2227010001	LABEL, NAME PLATE			1					
30	2	X3261006422	HOUSING, TURBINE			1					
31	2	X3271015226	HOUSING, GOVERNOR			1					
32	2	X0036051051	RIVET			2					
33	2	X3267110018	OVERHAUL KIT			1					
34	3	X3271270100	RING			2					
35	3	X3261551305	BEARING, THRUST			1					
36	3	X3261570400	RING, SNAP			4					
37	3	X3261551003	BUSH			2					
38	3	X3261560800	DEFLECTOR			1					
39	3	X2221580501	O-RING			1					
40	3	X0035192601	BOLT, M6X16			4					
41	3	X3281593300	WASHER			4					
42	3	X3271280205	NUT, LOCK			1					
43	3	X3261095805	PLATE			3					
44	3	X0035360328	BOLT, M8X14			6					
45	3	X0035355222	BOLT			8					
46	3	X3271095801	PLATE			4					

Fig.18. TURBOCHARGER COMPONENT PARTS(4LH-DTE)

(A)=4LH-TE
(B)=4LH-HTE
(C)=4LH-DTE

(D)=4LH-STE
(E)=
(F)=

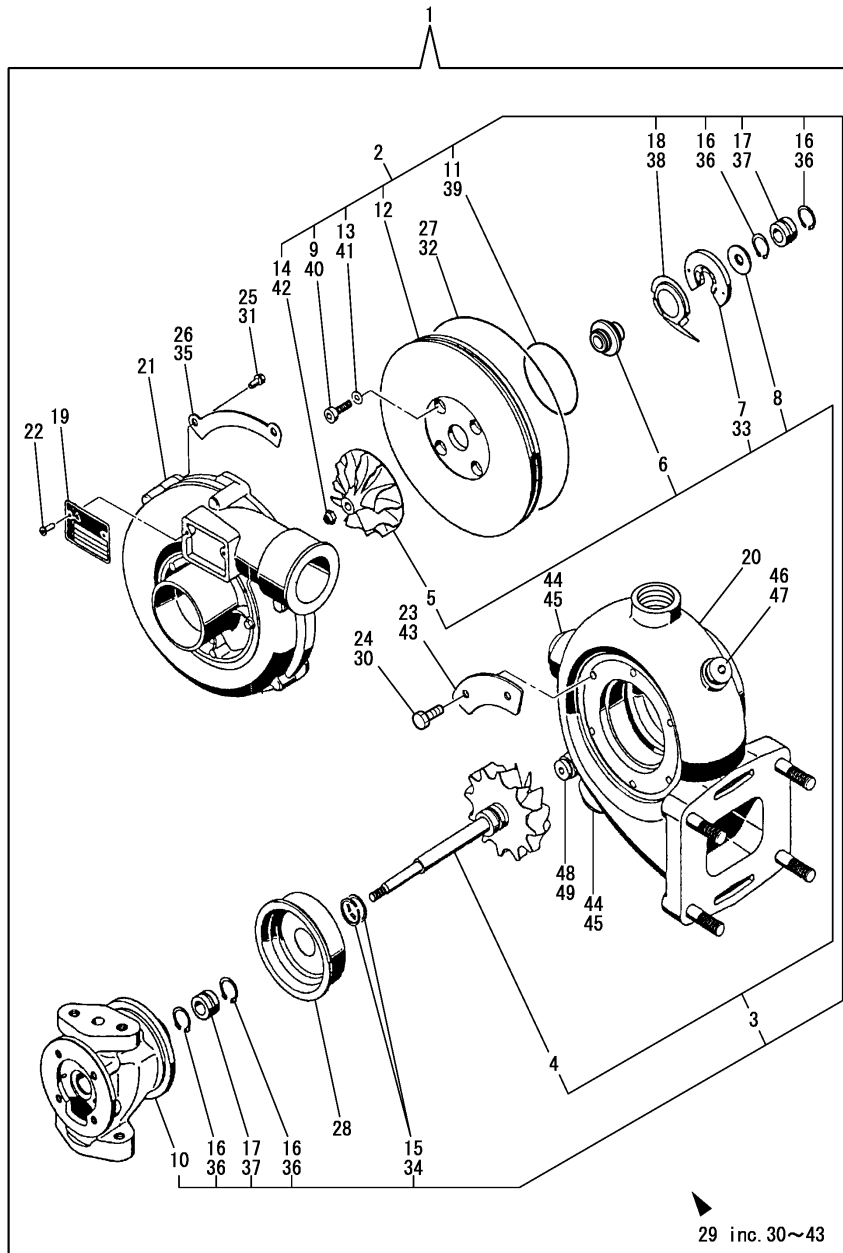


No.	Lev.	Parts No.	Description	Qty						I	R
				(A)	(B)	(C)	(D)	(E)	(F)		
47	3	X3271580500	O-RING			1					
48	2	X9999900001	PLUG, M22XP2 (C=FROM 1ST)			2					W
49	2	X9999900004	WASHER, RING 27X22.5 (C=FROM 1ST)			2					W
50	2	X9999900002	PLUG, M13XP2 (C=FROM 1ST)			1					W
51	2	X9999900005	WASHER, 18X14 (C=FROM 1ST)			1					W
52	2	X9999900003	PLUG, M10XP2 (C=FROM 1ST)			1					W
53	2	X9999900006	WASHER, 15X10 (C=FROM 1ST)			1					W

Fig.19. TURBOCHARGER COMPONENT PARTS(4LH-DTE)

(A)=4LH-TE
(B)=4LH-HTE
(C)=4LH-DTE

(D)=4LH-STE
(E)=
(F)=

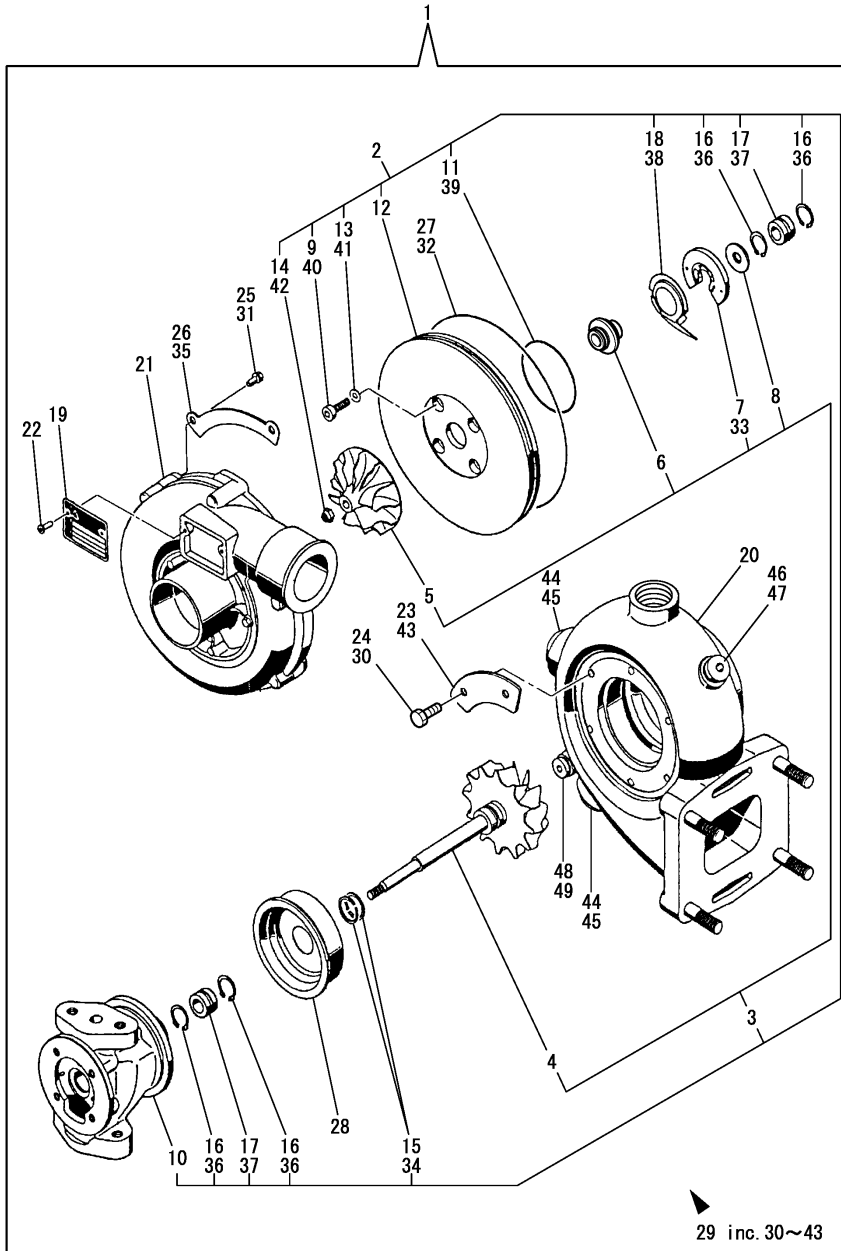


No.	Lev.	Parts No.	Description	Q'ty						I	R
				(A)	(B)	(C)	(D)	(E)	(F)		
1	1	119173-18011	TURBINE, K26			1					
2	2	X3267100058	CORE ASSY			1					
3	3	X3267101126	ROTOR ASSY			1					
4	4	X3261205001	SHAFT, M7 L179			1					
5	4	X3271232227	WHEEL			1					
6	4	X3261270407	SLEEVE			1					
7	4	X3261551305	BEARING, THRUST			1					
8	4	X3261240000	RING, THRUST			1					
9	3	X0035192601	BOLT, M6X16			4					
10	3	X3241500004	HOUSING, BEARING			1					
11	3	X2221580501	O-RING			1					
12	3	X3271515739	PLATE			1					
13	3	X3281593300	WASHER			4					
14	3	X3261285000	NUT, M17			1					
15	3	X3271270100	RING			2					
16	3	X3261570400	RING, SNAP			4					
17	3	X3261551003	BUSH			2					
18	3	X3261560800	DEFLECTOR			1					
19	2	X2227010001	LABEL, NAME PLATE			1					
20	2	X3261006423	HOUSING, TURBINE			1					
21	2	X3271015333	HOUSING, GOVERNOR			1					
22	2	X0036051051	RIVET			2					
23	2	X3261095805	PLATE			3					
24	2	X0035360328	BOLT, M8X14			6					
25	2	X0035355222	BOLT			8					
26	2	X3271095801	PLATE			4					
27	2	X3271580500	O-RING			1					
28	2	X3261652005	SHIELD, HEAT			1					
29	2	X3267110039	OVERHAUL KIT			1					
30	3	X0035360328	BOLT, M8X14			6					
31	3	X0035355222	BOLT			8					
32	3	X3271580500	O-RING			1					
33	3	X3261551305	BEARING, THRUST			1					
34	3	X3271270100	RING			2					
35	3	X3271095801	PLATE			4					
36	3	X3261570400	RING, SNAP			4					
37	3	X3261551003	BUSH			2					
38	3	X3261560800	DEFLECTOR			1					
39	3	X2221580501	O-RING			1					
40	3	X0035192601	BOLT, M6X16			4					
41	3	X3281593300	WASHER			4					
42	3	X3261285000	NUT, M17			1					
43	3	X3261095805	PLATE			3					
44	2	X9999900001	PLUG, M22XP2 (C=FROM 1ST)			2					W
45	2	X9999900004	WASHER, RING 27X22.5 (C=FROM 1ST)			2					W
46	2	X9999900002	PLUG, M13XP2 (C=FROM 1ST)			1					W
47	2	X9999900005	WASHER, 18X14 (C=FROM 1ST)			1					W

Fig.19. TURBOCHARGER COMPONENT PARTS(4LH-DTE)

(A)=4LH-TE
(B)=4LH-HTE
(C)=4LH-DTE

(D)=4LH-STE
(E)=
(F)=



No.	Lev.	Parts No.	Description	Q'ty						I	R
				(A)	(B)	(C)	(D)	(E)	(F)		
48	2	X9999900003	PLUG, M10XP2 (C=FROM 1ST)			1					W
49	2	X9999900006	WASHER, 15X10 (C=FROM 1ST)			1					W

Fig.20. TURBOCHARGER(4LH-STE)

(A)=4LH-TE
(B)=4LH-HTE
(C)=4LH-DTE

(D)=4LH-STE
(E)=
(F)=

No.	Lev.	Parts No.	Description	Q'ty						I	R
				(A)	(B)	(C)	(D)	(E)	(F)		
1	1	119195-18030	TURBINE, RHC61W				1				
1-1	1	119195-18031	TURBINE, RHC61W				1				N
				(D=E52497)							
2	1	119195-18860	SILENCER				1				
3	2	XN199611	FILTER, INLET				1				
3-1	2	119195-18880	FILTER, 58MM				1				N
				(D=FROM 1ST)							
4	1	128300-13230	GASKET, SILENCER				1				
5	1	26203-100302	BOLT, M10X 30 PLATED				2				
6	1	119174-18061	BRACKET				1				
6-1	1	119174-18062	BRACKET				1				N
				(D=E50101)							
7	1	119174-18070	GASKET				1				
8	1	127687-18910	CLIP, HOSE				1				
9	1	23414-170000	GASKET, 17X1.0				1				
10	1	23894-030002	PLUG, G3/8				1				
11	1	26223-100252	STUD, M10X 25				2				
12	1	26703-100002	NUT, M10				2				
13	1	26703-100002	NUT, M10				4				

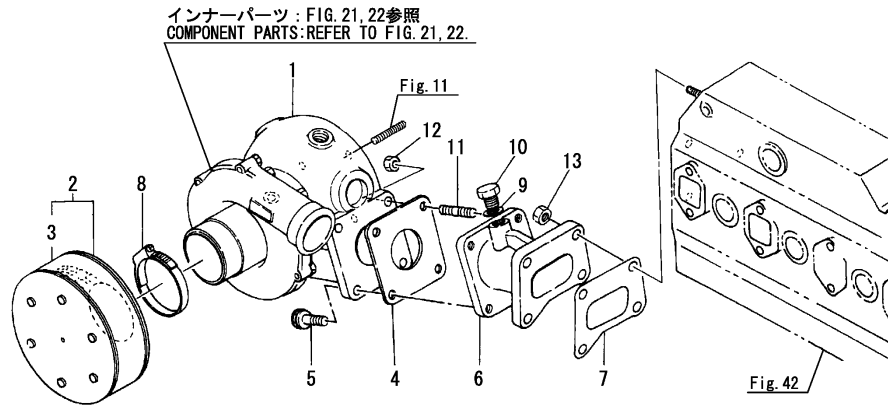


Fig.21. TURBOCHARGER COMPONENT PARTS(4LH-STE)

(A)=4LH-TE
(B)=4LH-HTE
(C)=4LH-DTE

(D)=4LH-STE
(E)=
(F)=

No.	Lev.	Parts No.	Description	Qty						I	R
				(A)	(B)	(C)	(D)	(E)	(F)		
1	1	119195-18030	TURBINE, RHC61W				1				
2	2	XNH261320	SHAFT,TURBINE				1				
3	2	XNH261081	BUSH				1				
4	2	XNH261082	COVER				1				
5	2	XNN131576	RING, SEAL				1				
6	2	XNN171006	SEAL RING				1				
7	2	XNN971007	SEAL RING				1				
8	2	XNH261107	NUT,SHAFT END				1				
9	2	XNH265520	IMPELLER,COMPRESSOR				1				
10	2	XNN193012	PLATE, SEAL				1				
11	2	XNN263501	BEARING				2				
12	2	XNH263502	BEARING, THRUST				1				
13	2	XNH264962	HOUSING				1				
14	2	XNH164106	BRACKET				6				
15	2	XNH164105	BOLT M6				6				
16	2	XNE967430	HOUSING, TURBINE				1				
17	2	XNH163329	INSULATOR, SILENCER				1				
18	2	XNN137423	RETAINER				5				
19	2	XNN137007	BOLT, M8				5				
20	2	XNB133206	SCREW				4				
21	2	XNH163006	SCREW M4				3				
22	2	XNH163376	HOUSING, BEARING				1				
23	2	XNN977003	RETAINING RING				3				

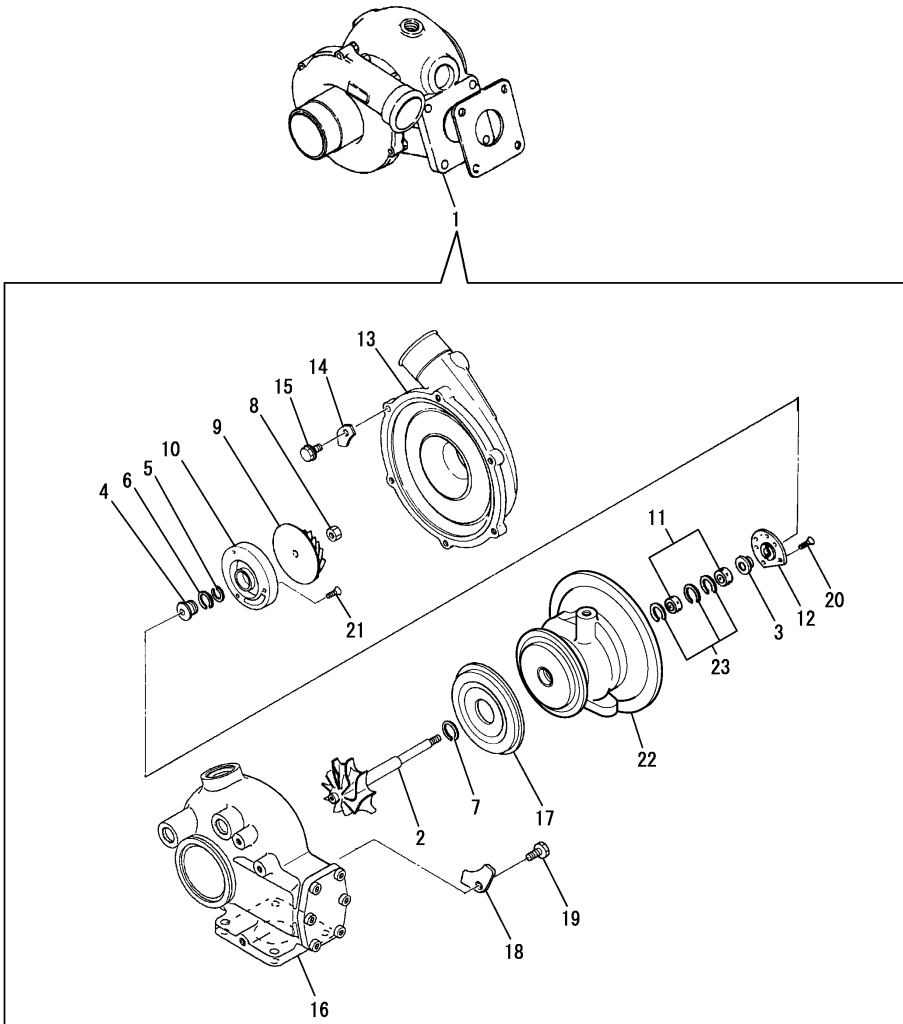


Fig.22. TURBOCHARGER COMPONENT PARTS(4LH-STE)

(A)=4LH-TE
(B)=4LH-HTE
(C)=4LH-DTE

(D)=4LH-STE
(E)=
(F)=

No.	Lev.	Parts No.	Description	Q'ty						I	R
				(A)	(B)	(C)	(D)	(E)	(F)		
1	1	119195-18031	TURBINE, RHC61W				1				
2	2	XNH261301	TURBIN SHAFT ASSY				1				
3	2	XNH261081	BUSH				1				
4	2	XNH261082	COVER				1				
5	2	XNN131008	SEAL RING,BLOW.SIDE				1				
6	2	XNN171006	SEAL RING				1				
7	2	XNN971007	SEAL RING				1				
8	2	XNH261107	NUT,SHAFT END				1				
9	2	XNH265520	IMPELLER,COMPRESSOR				1				
10	2	XNN193012	PLATE, SEAL				1				
11	2	XNH263501	METAL,FLOATING				2				
12	2	XNH263502	BEARING, THRUST				1				
13	2	XNH264962	HOUSING				1				
14	2	XNH164106	BRACKET				6				
15	2	XNH164105	BOLT M6				6				
16	2	XNH167606	HOUSING,TURBINE				1				
17	2	XNH163329	INSULATOR, SILENCER				1				
18	2	XNH137423	RETAINER				5				
19	2	XNN137007	BOLT, M8				5				
20	2	XNB133206	SCREW				4				
21	2	XNH163006	SCREW M4				3				
22	2	XNH163376	HOUSING, BEARING				1				
23	2	XNN977003	RETAINING RING				3				

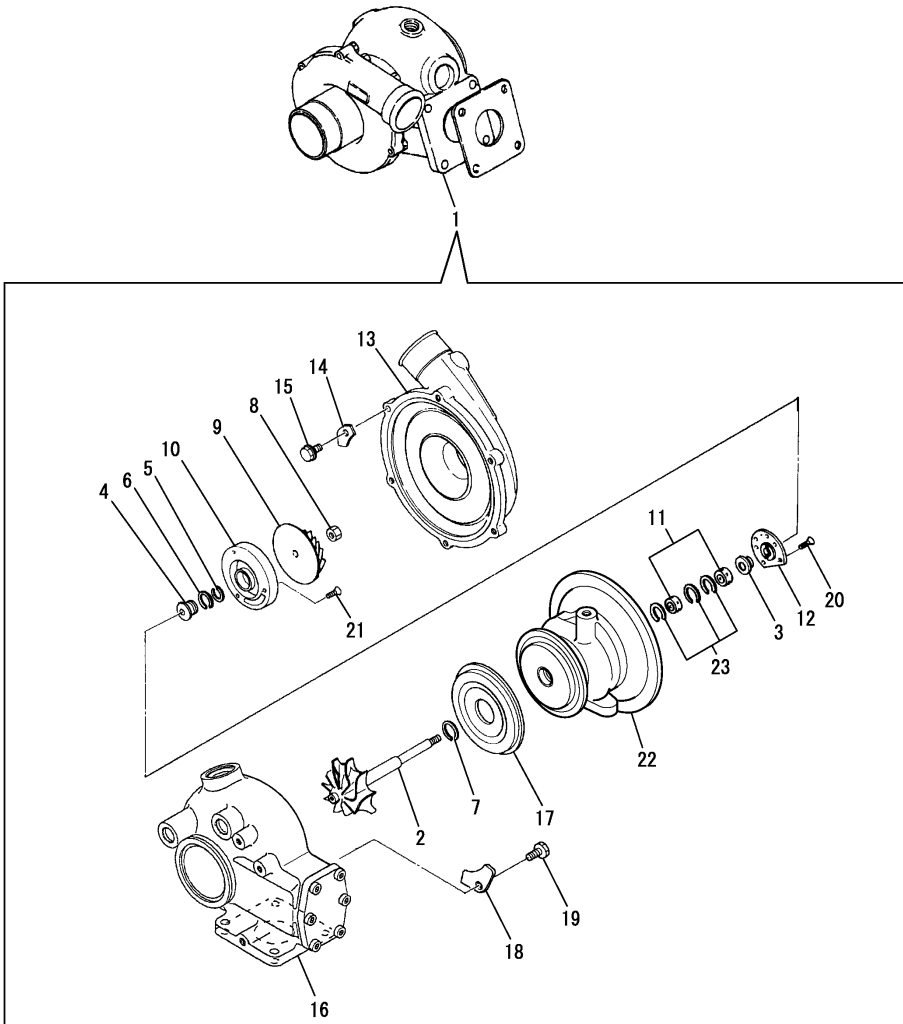
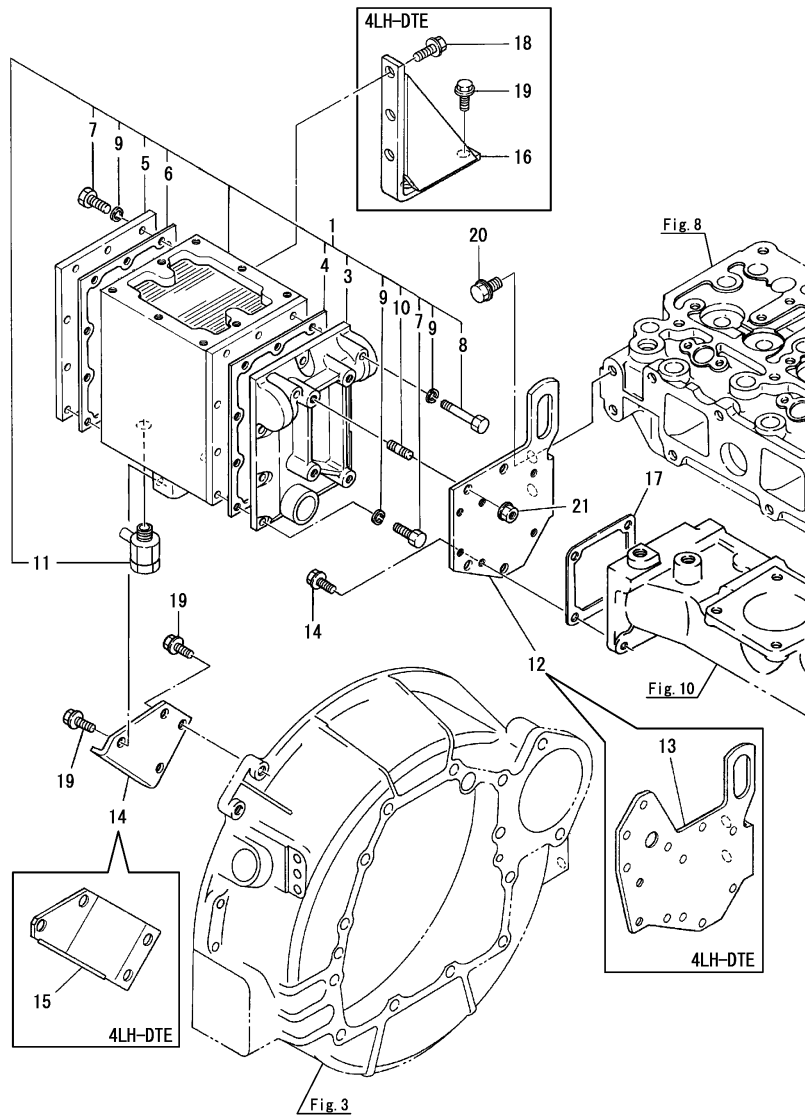


Fig.23. AIR COOLER(4LH-HTE,DTE)

(A)=4LH-TE
(B)=4LH-HTE
(C)=4LH-DTE

(D)=4LH-STE
(E)=
(F)=



No.	Lev.	Parts No.	Description	Qty						I	R
				(A)	(B)	(C)	(D)	(E)	(F)		
1	1	119172-18100	COOLER ASSY, INTER		1						
1-1	1	119172-18101	COOLER ASSY, INTER (B=EXXXXX)		1						N
1-2	1	119172-18102	COOLER ASSY, INTER (B=EXXXXX)		1						N 1
1A	1	119173-18100	COOLER ASSY, INTER			1					
1A-1	1	119173-18101	COOLER ASSY, INTER (C=EXXXXX)			1					N
1A-2	1	119173-18102	COOLER ASSY, INTER (C=EXXXXX)			1					N 1
3	2	119172-18210	TANK		1	1					
4	2	119172-18220	GASKET		1	1					
4-1	2	119172-18221	GASKET (B=EXXXXX) (C=EXXXXX)		1	1					N
5	2	119172-18230	TANK		1						
5A	2	119173-18230	TANK			1					
6	2	119172-18240	GASKET		1	1					
6-1	2	119172-18241	GASKET (B=EXXXXX) (C=EXXXXX)		1	1					N
7	2	26116-060352	BOLT, M6X 35 PLATED		18						
7-1	2	26116-060352	BOLT, M6X 35 PLATED (B=*1989.08)		19	19					K
7-2	2	119172-18270	BOLT, M6X35 (B=*2001.06) (C=*2001.06)		19	19					N
8	2	119172-18250	BOLT, M6X65		2						
8-1	2	119172-18250	BOLT, M6X65 (B=*1989.08)		1	1					K
9	2	22217-060000	WASHER, SPRING 6		20	20					
9-1	2	119172-18260	WASHER, SPRING 6 (B=*2001.06) (C=*2001.06)		20	20					N
10	2	26216-080162	STUD, M8X 16		2	4					
11	2	120130-49350	COCK, 1/4			1					
11-1	2	119620-49290	COCK ASSY, 1/4 (C=E24537)			1					N
12	1	119172-18500	BRACKET		1						
13	1	119173-18500	BRACKET			1					
13-1	1	119173-18501	BRACKET (C=E22467)			1					N
14	1	119172-18550	SUPPORT		1						
15	1	119173-18550	SUPPORT			1					
16	1	119173-18560	SUPPORT			1					
16-1	1	119173-18561	SUPPORT (C=E22584)			1					N
16-2	1	119173-18562	SUPPORT (C=E22819)			1					N
17	1	121850-77020	GASKET		1	1					
17-1	1	121850-77021	GASKET (B=EXXXXX) (C=EXXXXX)		1	1					N
18	1	26106-080162	BOLT, M8X 16 PLATED		4	4					
19	1	26106-080202	BOLT, M8X 20 PLATED		4	6					
20	1	26106-100202	BOLT, M10X 20 PLATED		2	2					

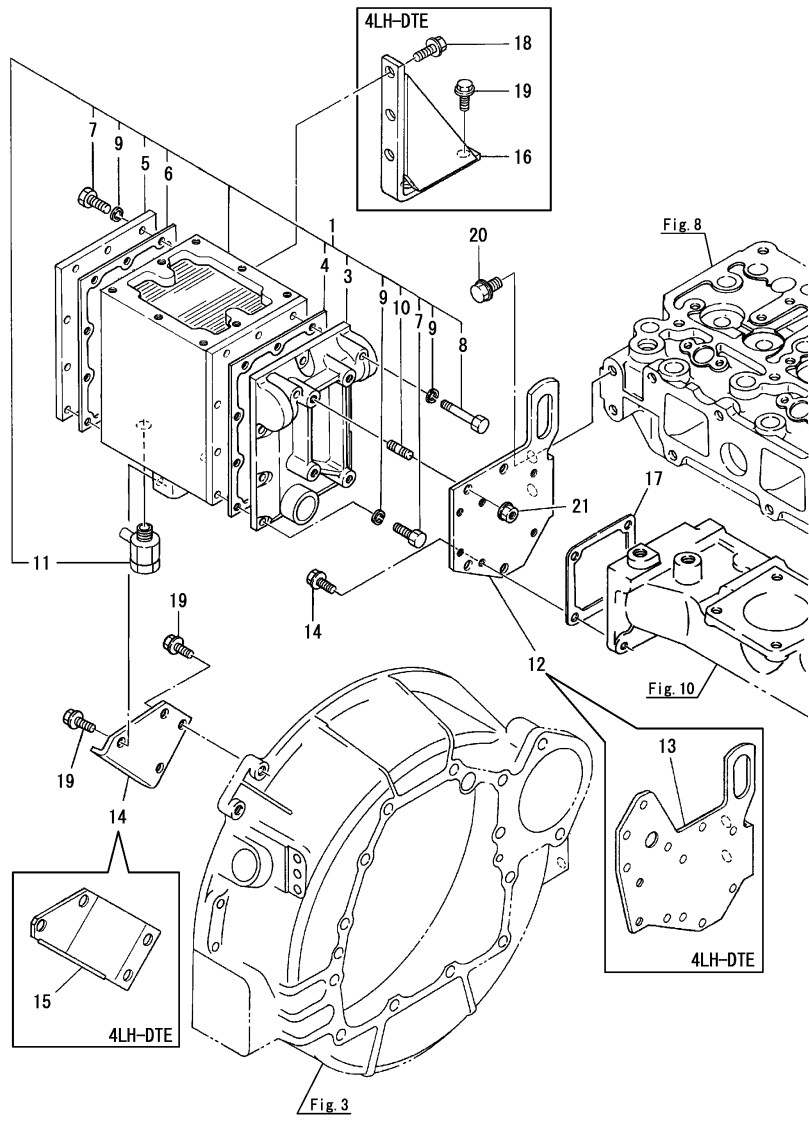
Remarks

(1)Component parts:Refer to Fig.(23A)

Fig.23. AIR COOLER(4LH-HTE,DTE)

(A)=4LH-TE
(B)=4LH-HTE
(C)=4LH-DTE

(D)=4LH-STE
(E)=
(F)=



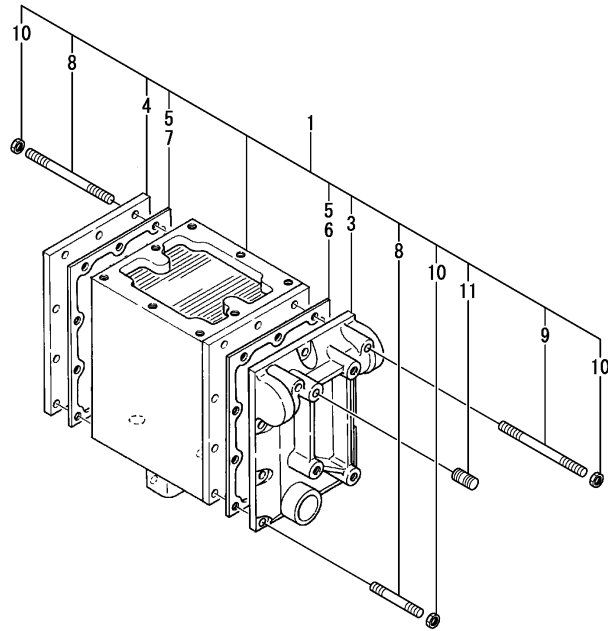
No.	Lev.	Parts No.	Description	Q'ty						I	R
				(A)	(B)	(C)	(D)	(E)	(F)		
21	1	26366-080002	NUT, M8		2	4					
21-1	1	26306-080002	NUT, M8		2	4					N
		(B=EXXXXX)	(C=EXXXXX)								

Remarks
(1)Component parts:Refer to Fig.(23A)

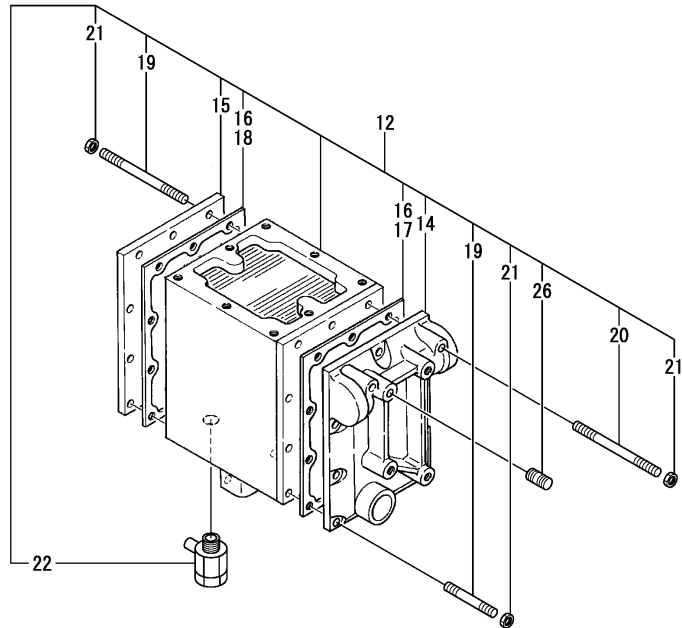
Fig.95. (23A)AIR COOLER COMPONENT PARTS(4LH-HTE,DTE)

(A)=4LH-TE
(B)=4LH-HTE
(C)=4LH-DTE

(D)=4LH-STE
(E)=
(F)=



4LH-HTE
4LH-DTE

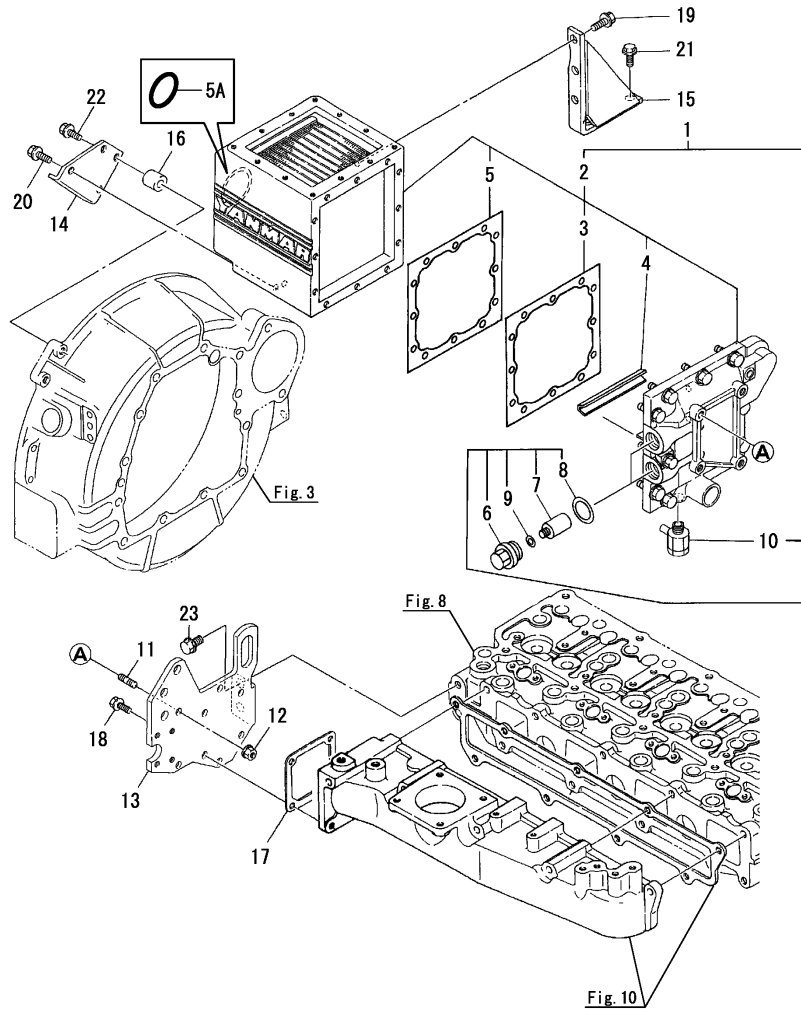


No.	Lev.	Parts No.	Description	Qty						I	R	
				(A)	(B)	(C)	(D)	(E)	(F)			
1	1	119172-18102	COOLER ASSY, INTER		1							
3	2	119172-18210	TANK		1							
4	2	119172-18230	TANK		1							
5	2	119172-18280	SPACER		2							
6	2	119172-18290	GASKET		1							
7	2	119172-18300	GASKET		1							
8	2	127492-18460	STUD, M6X45		19							
9	2	127492-18470	STUD, M6X75		1							
10	2	127492-18480	NUT, M6		20							
11	2	26216-080162	STUD, M8X 16		2							
12	1	119173-18102	COOLER ASSY, INTER			1						
14	2	119172-18210	TANK			1						
15	2	119172-18230	TANK			1						
16	2	119172-18280	SPACER			2						
17	2	119172-18290	GASKET			1						
18	2	119172-18300	GASKET			1						
19	2	127492-18460	STUD, M6X45			19						
20	2	127492-18470	STUD, M6X75			1						
21	2	127492-18480	NUT, M6			20						
22	2	119620-49290	COCK ASSY, 1/4			1						
26	2	26216-080162	STUD, M8X 16			4						

Fig.24. AIR COOLER(4LH-STE)

(A)=4LH-TE
(B)=4LH-HTE
(C)=4LH-DTE

(D)=4LH-STE
(E)=
(F)=

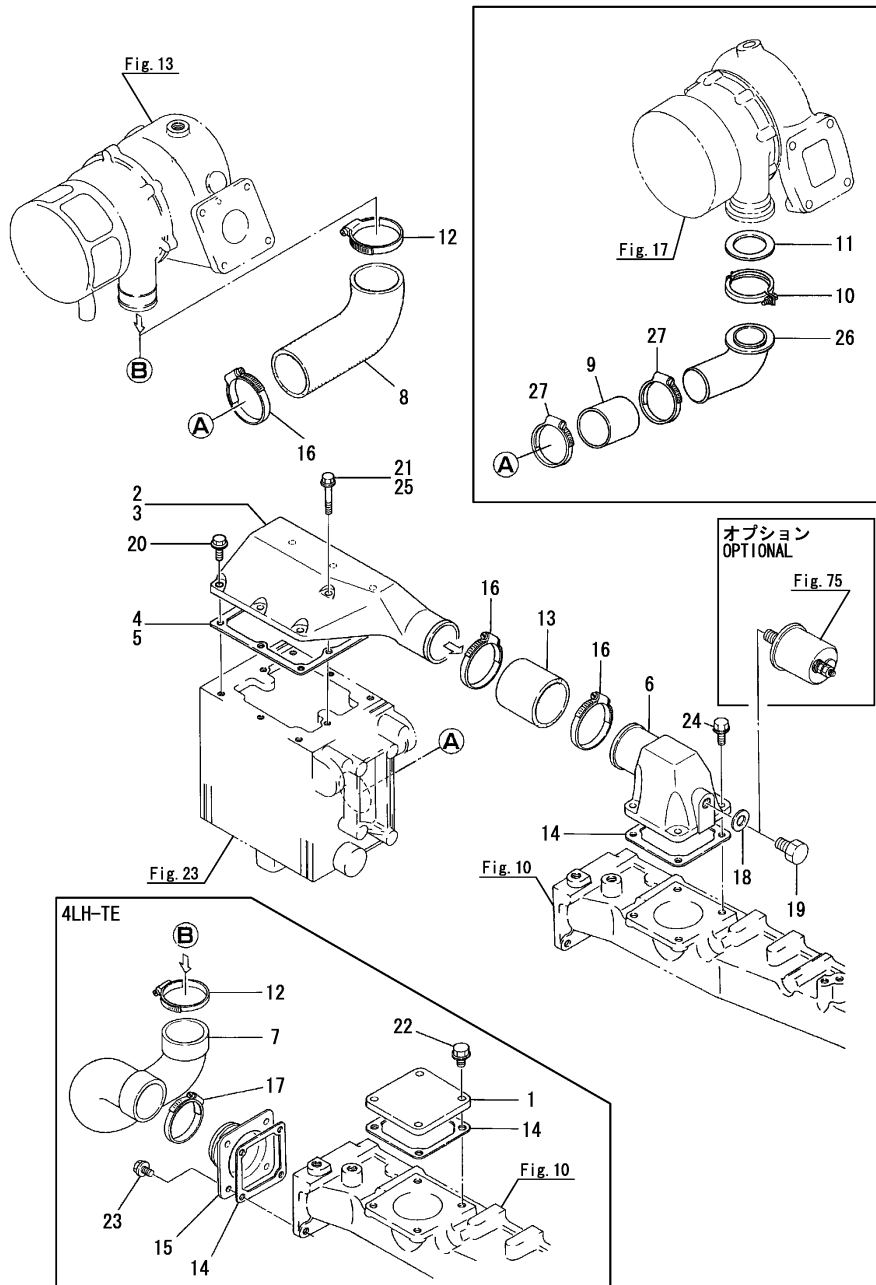


No.	Lev.	Parts No.	Description	Q'ty						I	R
				(A)	(B)	(C)	(D)	(E)	(F)		
1	1	719174-18200	COOLER ASSY, INTER				1				
2	2	119174-18102	COOLER ASSY, INTER				1				
3	3	119174-18240	GASKET				1				W
4	3	119174-18250	GASKET				1				W
5	3	119174-18260	GASKET				1				W
5A	3	119174-18270	O-RING, 4D P58				1				W
6	2	119593-18370	PLUG				2				
7	2	177301-54900	ZINC, ANTI-CORROSIVE				2				
8	2	23414-240000	GASKET, 24X1.0				2				
9	2	123210-09310	GASKET				2				
10	2	120130-49350	COCK, 1/4				1				
10-1	2	119620-49290	COCK ASSY, 1/4				1				N
11	1	26216-080162	STUD, M8X 16				4				
12	1	26366-080002	NUT, M8				4				
12-1	1	26306-080002	NUT, M8				4				N
13	1	119173-18501	BRACKET				1				
14	1	119172-18550	SUPPORT				1				
15	1	119173-18561	SUPPORT				1				
15-1	1	119173-18562	SUPPORT				1				N
16	1	119187-18810	SPACER				2				
17	1	121850-77021	GASKET				1				
18	1	26106-080162	BOLT, M8X 16 PLATED				4				
19	1	26106-080162	BOLT, M8X 16 PLATED				3				
20	1	26106-080202	BOLT, M8X 20 PLATED				2				
21	1	26106-080202	BOLT, M8X 20 PLATED				2				
22	1	26106-080452	BOLT, M8X 45 PLATED				2				
23	1	26106-100202	BOLT, M10X 20 PLATED				2				

Fig.25. AIR DUCT

(A)=4LH-TE
(B)=4LH-HTE
(C)=4LH-DTE

(D)=4LH-STE
(E)=
(F)=

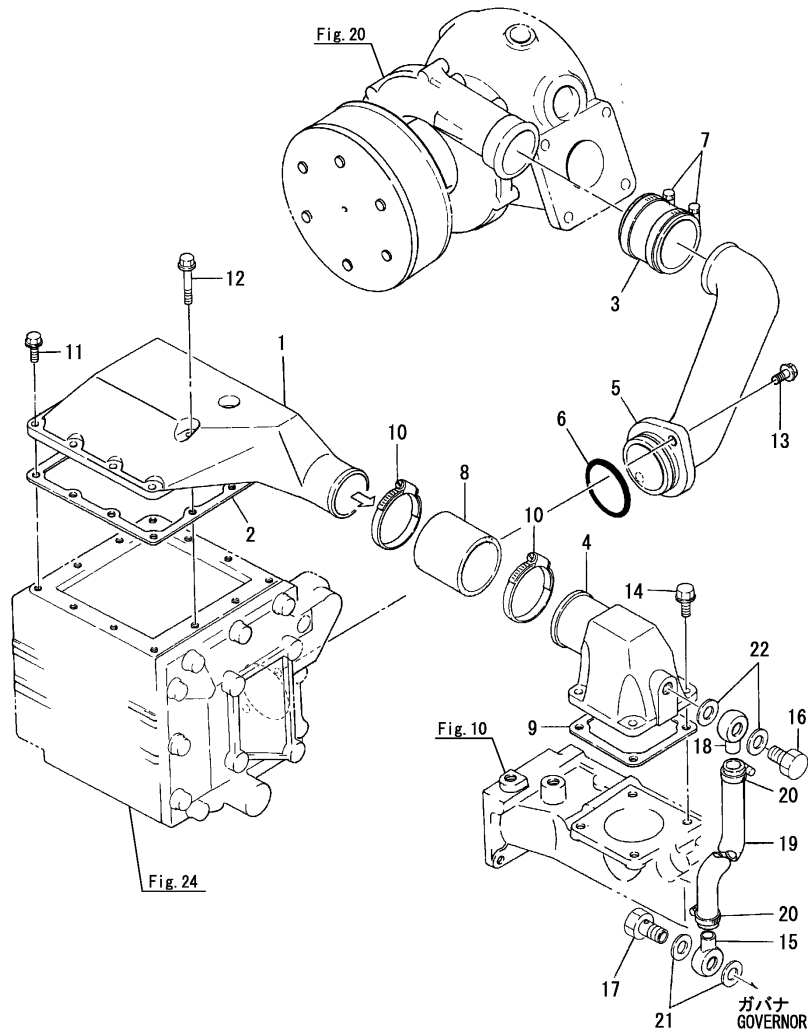


No.	Lev.	Parts No.	Description	Q'ty						I	R
				(A)	(B)	(C)	(D)	(E)	(F)		
1	1	119100-12120	COVER, MANIFOLD	1							
2	1	119172-18110	DUCT, AIR		1						
3	1	119173-18110	DUCT, AIR			1					
4	1	119172-18120	GASKET		1						
4-1	1	119172-18121 (B=*1991.01)	GASKET		1						N
5	1	119173-18120	GASKET, COOLER			1					
5-1	1	119173-18121 (C=*1991.01)	GASKET, COOLER			1					N
6	1	119172-18140	DUCT, AIR		1	1					
7	1	119171-18150	HOSE, RUBBER	1							
8	1	119172-18150	HOSE, RUBBER		1						
9	1	119173-18130	HOSE, RUBBER			1					
10	1	119173-18700	BAND, 73			1					
11	1	119173-18800	GASKET			1					
12	1	127488-18910	CLIP, HOSE	1	1						
13	1	127610-49430	JOINT, RUBBER		1	1					
14	1	121850-77020	GASKET	2	1	1					
14-1	1	121850-77021 (A=*1990.08) (B=*1990.08) (C=*1990.08)	GASKET	2	1	1					N
15	1	121850-77100	CAPSULE	1							
16	1	23000-060000	CLAMP, 60		3	2					
17	1	23000-080000	CLAMP, 80	1							
18	1	23414-120000	GASKET, 12X1.0		1	1					
19	1	23887-120002	PLUG, 12		1	1					
20	1	26106-060202	BOLT, M6X 20 PLATED		7	9					
21	1	26106-060452	BOLT, M6X 45 PLATED		1						
22	1	26106-080142	BOLT, M8X 14 PLATED	4							
23	1	26106-080142	BOLT, M8X 14 PLATED	4							
24	1	26106-080202	BOLT, M8X 20 PLATED		4	4					
25	1	26106-060552	BOLT, M6X 55 PLATED			1					
26	1	119173-18160	DUCT, AIR			1					
27	1	23000-070000	CLAMP, 70			2					

Fig.26. AIR DUCT(4LH-STE)

(A)=4LH-TE
(B)=4LH-HTE
(C)=4LH-DTE

(D)=4LH-STE
(E)=
(F)=

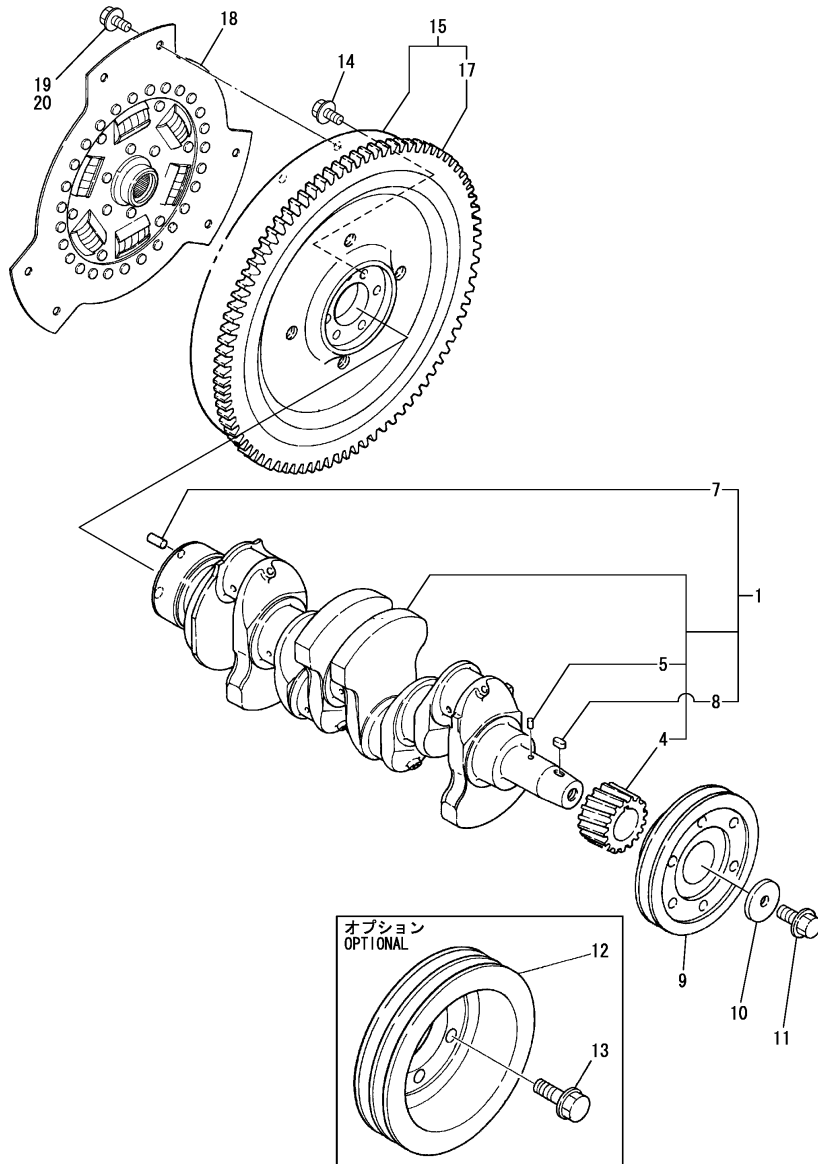


No.	Lev.	Parts No.	Description	Q'ty						I	R
				(A)	(B)	(C)	(D)	(E)	(F)		
1	1	119174-18110	DUCT, AIR				1				
2	1	119174-18120	GASKET, COOLER				1				
3	1	119174-18130	HOSE, AIR DUCT				1				
4	1	119172-18140	DUCT, AIR				1				
5	1	119174-18160	DUCT, AIR				1				
6	1	119174-18170	O-RING				1				
7	1	127488-18910	CLIP, HOSE				2				
8	1	127610-49430	JOINT, RUBBER				1				
9	1	121850-77021	GASKET				1				
10	1	23000-060000	CLAMP, 60				2				
11	1	26106-060202	BOLT, M6X 20 PLATED				10				
12	1	26106-060502	BOLT, M6X 50 PLATED				2				
12-1	1	26106-080452	BOLT, M8X 45 PLATED				2			N	
			(D=EXXXXX)								
13	1	26106-080202	BOLT, M8X 20 PLATED				2				
14	1	26106-080202	BOLT, M8X 20 PLATED				4				
15	1	129590-18520	JOINT				1				
16	1	103854-39140	BOLT, PIPE JOINT				1				
17	1	124160-39140	BOLT, PIPE JOINT M10				1				
18	1	104264-59020	JOINT				1				
19	1	119370-59040	PIPE, FUEL				1				
19-1	1	119174-18040	JOINT, RUBBER				1			N	
			(D=EXXXXX)								
20	1	23000-013000	CLAMP, 13				2				
20-1	1	124766-59050	CLIP, HOSE 12				2			R	
			(D=EXXXXX)								
21	1	23414-100000	GASKET, 10X1.0				2				
22	1	23414-120000	GASKET, 12X1.0				2				

Fig.27. CRANKSHAFT & FLYWHEEL

(A)=4LH-TE
(B)=4LH-HTE
(C)=4LH-DTE

(D)=4LH-STE
(E)=
(F)=



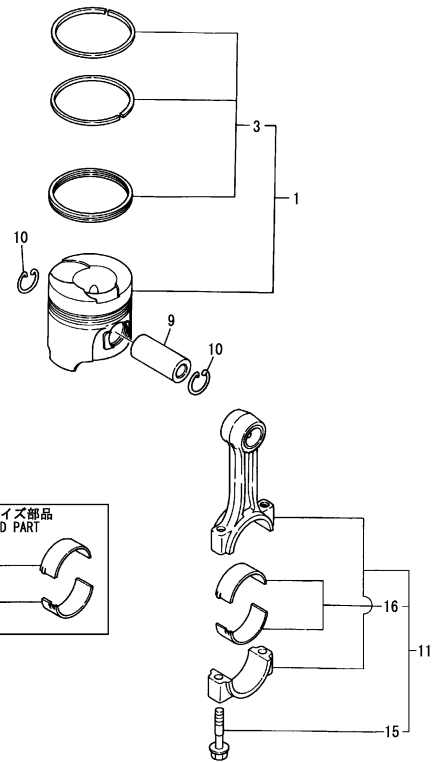
No.	Lev.	Parts No.	Description	Qty						I	R
				(A)	(B)	(C)	(D)	(E)	(F)		
1	1	719171-21700	CRANKSHAFT ASSY	1	1	1					
1-1	1	719171-21701	CRANKSHAFT ASSY	1	1	1					N
		(A=*1993.02) (B=*1993.02) (C=*1993.02)									
1A	1	719184-21700	CRANKSHAFT ASSY								1
4	3	121850-21200	GEAR, CRANKSHAFT	1	1	1	1				
5	3	121850-21290	PIN	1	1	1	1				
7	2	121850-21920	PIN, M10X22	1	1	1	1				
8	2	22512-070140	KEY, 7X 14	1	1	1	1				
9	1	119000-21650	V-PULLEY	1	1	1	1				
10	1	121850-21660	WASHER	1	1	1	1				
11	1	121850-21680	BOLT	1	1	1	1				
12	1	119171-21650	V-PULLEY, D=180A-2	1	1	1	1				W 1
		(A=*1987.10) (B=*1987.10)									
13	1	26106-100302	BOLT, M10X 30 PLATED	6	6	6	6				W 1
		(A=*1987.10) (B=*1987.10)									
14	1	121850-21130	BOLT, FLYWHEEL	6	6	6	6				
15	1	119171-21590	FLYWHEEL ASSY	1	1	1	1				
15-1	1	119171-21591	FLYWHEEL ASSY	1	1	1	1				R
		(A=E11255) (B=E23027) (C=E24833) (D=E52679)									
17	2	124550-21600	GEAR, RING	1	1	1	1				
18	1	177074-03511	DISK, DAMPER	1	1						
18-1	1	177074-03950	DISK, DAMPER	1	1	1					N
		(A=*1987.12) (B=*1987.12)									
18-2	1	177074-03951	DISK, DAMPER	1	1	1					R
		(A=*1991.01) (B=*1991.01) (C=*1991.01)									
19	1	26106-100202	BOLT, M10X 20 PLATED	6	6	6					W 2
20	1	26106-100252	BOLT, M10X 25 PLATED						6		
		(D=E50367)									
20-1	1	26106-100222	BOLT, M10X 22 PLATED						6		N 2
		(D=*2001.05)									

Remarks
(1)Optional.
(2)Hurth clutch, Optional.

Fig.28. PISTON & CONNECTING ROD

(A)=4LH-TE
(B)=4LH-HTE
(C)=4LH-DTE

(D)=4LH-STE
(E)=
(F)=



No.	Lev.	Parts No.	Description	Q'ty						I	R
				(A)	(B)	(C)	(D)	(E)	(F)		
1	1	119171-22000	PISTON ASSY	4	4						
1-1	1	119171-22001	PISTON ASSY	4	4					S	5
		(A=E10217) (B=E20484)									
1A	1	119173-22000	PISTON ASSY			4					
1A-1	1	119173-22001	PISTON ASSY			4				S	6
		(C=*1989.10)									
1B	1	119181-22080	PISTON ASSY					4			
1B-1	1	119181-22081	PISTON ASSY					4			N
		(D=E53043)									
3	2	719000-22500	RING SET, PISTON	4	4						
3-1	2	719187-22501	RING SET, PISTON	4	4	4				S	5
		(A=E10217) (B=E20484)									
3-2	2	719187-22502	RING SET, PISTON	4	4	4	4				N
		(A=*1992.02) (B=*1992.02) (C=*1992.02)									
9	1	119000-22300	PIN, PISTON	4	4						
9A	1	119173-22300	PIN, PISTON					4	4		
10	1	22252-000340	RING, 34	8	8						
10A	1	22252-000370	RING, 37			8	8				
11	1	719171-23100	ROD ASSY, CONNECTING	4	4						
11-1	1	719171-23101	ROD ASSY, CONNECTING	4	4						N 4
		(A=E10823) (B=E21638)									
11A	1	719173-23100	ROD ASSY, CONNECTING					4			
11A-1	1	719174-23100	ROD ASSY, CONNECTING					4	4		S 3
		(C=*1991.08)									
15	2	121850-23200	BOLT, CONNECTING ROD	8	8	8	8				
16	2	719000-23600	BEARING, CRANK PIN	4	4						
16A	2	719173-23600	BEARING, CRANK PIN					4			
16A-1	2	719174-23600	BEARING, CRANK PIN					4	4		S 3
		(C=*1991.08)									
16A-2	2	719174-23601	CRANK-PIN METAL					4	4		R 3
		(C=EXXXXX) (D=EXXXXX)									
18	1	719000-23610	BEARING ASSY, 0.25	4	4						1
20	1	719172-23610	METAL ASSY, 0.25					4			1
22	1	119172-23400	METAL ASSY, 0.50	4	4						2
24	1	119172-23310	METAL ASSY, 0.50					4			2

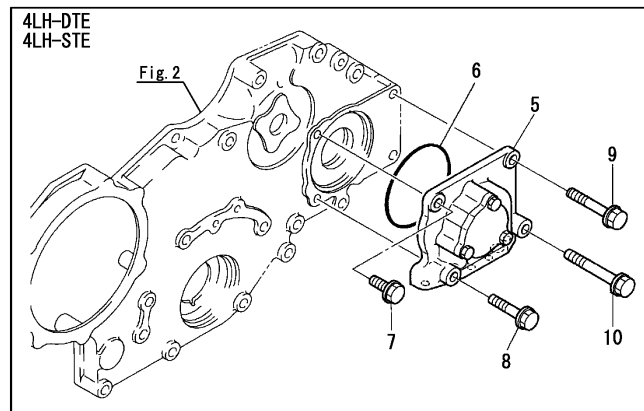
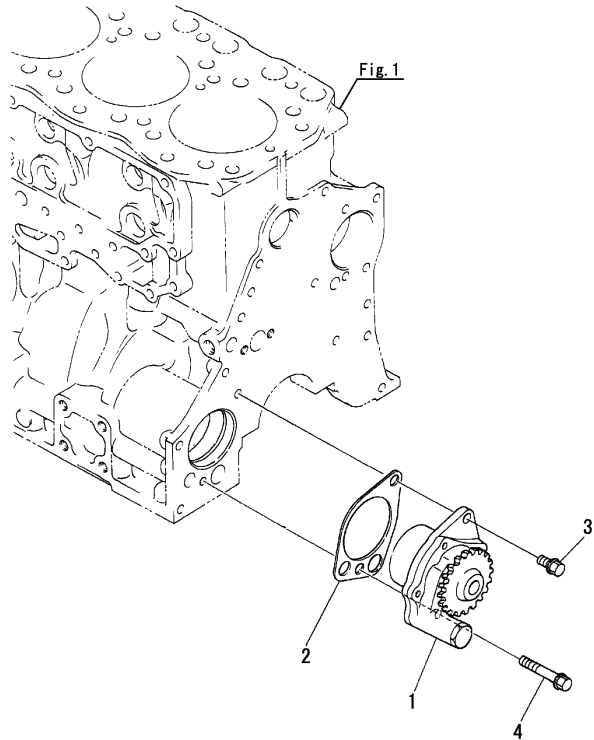
Remarks

- (1) Under sized(U.S.=0.25)parts.
- (2) Under sized(U.S.=0.50)parts.
- (3) When replacing the four cylinders, they must all be replaced at the same time, in order to be used as replacements for the old parts.
- (4) Changed piston pin metal.
- (5) Interchangeable by simultaneous replacement with Ref.No.1-1,3-1.
- (6) Interchangeable by simultaneous replacement with Fig.8 No.14A-1.

Fig.29. LUB. OIL PUMP

(A)=4LH-TE
(B)=4LH-HTE
(C)=4LH-DTE

(D)=4LH-STE
(E)=
(F)=

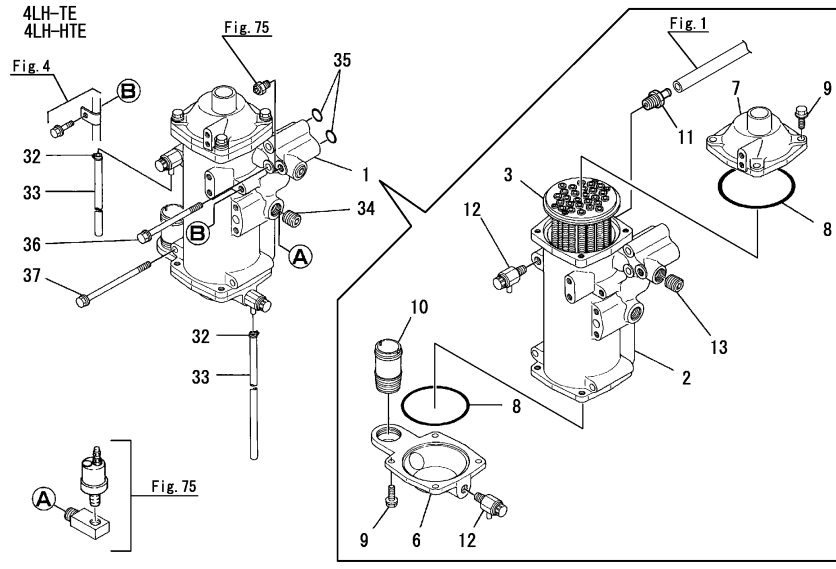


No.	Lev.	Parts No.	Description	Q'ty						I	R
				(A)	(B)	(C)	(D)	(E)	(F)		
1	1	119000-32000	PUMP ASSY, OIL	1	1						
1-1	1	119000-32001	PUMP ASSY, OIL	1	1	1	1				N
		(A=*1987.07)	(B=*1987.07)								
2	1	119000-32020	GASKET, PUMP	1	1	1	1				
3	1	26106-080162	BOLT, M8X 16 PLATED	1	1	1	1				
4	1	26106-080502	BOLT, M8X 50 PLATED	1	1	1	1				
5	1	119187-32000	PUMP ASSY, OIL				1	1			
6	1	24341-000800	O-RING, 1AS80.0				1	1			
7	1	26106-080252	BOLT, M8X 25 PLATED				1	1			
8	1	26106-080452	BOLT, M8X 45 PLATED				1	1			
9	1	26106-080552	BOLT, M8X 55 PLATED				1	1			
10	1	26106-080702	BOLT, M8X 70 PLATED				1	1			

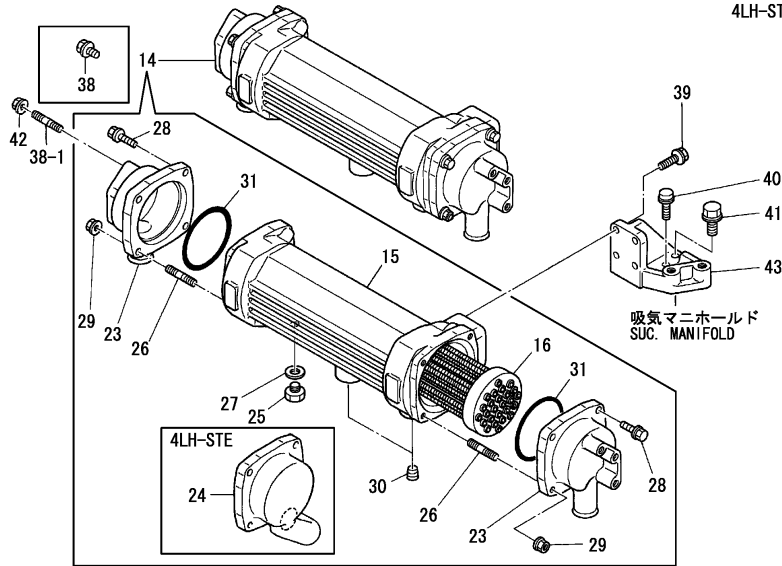
Fig.30. LUB. OIL COOLER

(A)=4LH-TE
(B)=4LH-HTE
(C)=4LH-DTE

(D)=4LH-STE
(E)=
(F)=



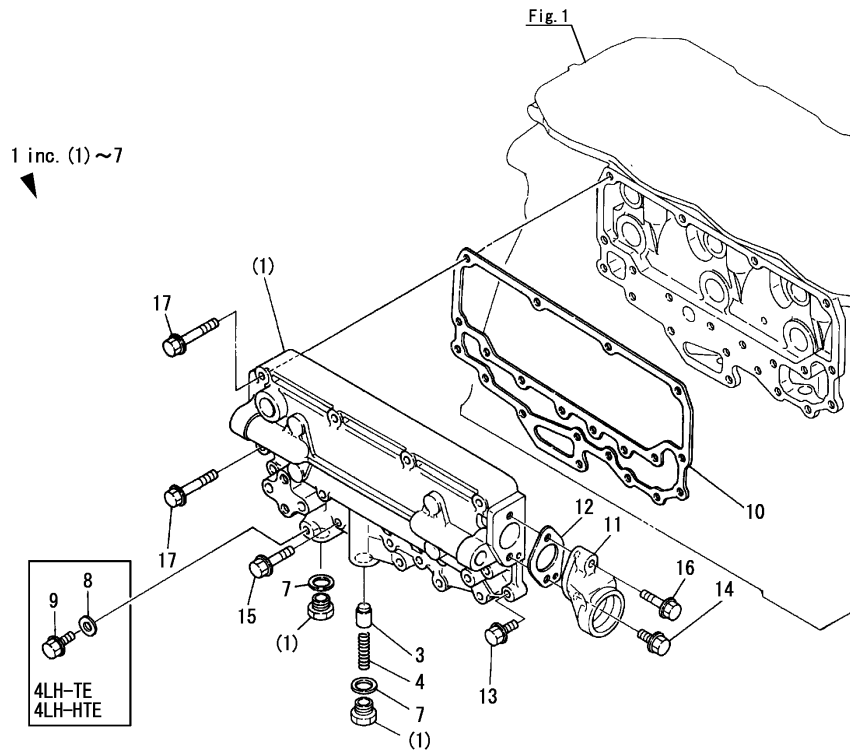
4LH-DTE
4LH-STE



No.	Lev.	Parts No.	Description	Qty						I	R
				(A)	(B)	(C)	(D)	(E)	(F)		
1	1	119182-33000	COOLER ASSY, OIL	1	1						
2	2	119171-33020	BODY, OIL COOLER	1	1						
3	2	119171-33050	CORE ASSY	1	1						
6	2	119171-33100	COVER	1	1						
7	2	119171-33160	COVER	1	1						
8	2	24311-000900	O-RING, 1AP90.0	2	2						
9	2	26106-080222	BOLT, M8X 22 PLATED	8	8						
10	2	123678-49421	JOINT, PIPE	1	1						
11	2	121550-49111	JOINT, PT1/4	1	1						
12	2	120130-49350	COCK, 1/4	2	2						
13	2	23875-030000	PLUG, R03	1	1						
14	1	719173-33700	COOLER ASSY, OIL						1		
14A	1	719184-33700	COOLER ASSY, OIL						1		
15	2	119173-33010	BODY, OIL COOLER			1	1				
16	2	127487-33190	PIPE ASSY, COOLING			1	1				
23	2	119173-33100	COVER, COOLER			2	1				
24	2	119174-33100	COVER, COOLER						1		
25	2	135400-01790	PLUG						1	1	
26	2	121850-01920	STUD, 2D8X22			4	4				
27	2	23414-100000	GASKET, 10X1.0			1	1				
28	2	26106-080252	BOLT, M8X 25 PLATED			4	4				
29	2	26366-080002	NUT, M8			4	4				
29-1	2	26306-080002	NUT, M8			4	4				N
			(C=EXXXXX) (D=EXXXXX)								
30	2	23876-040000	PLUG, R04			2	2				
31	2	24311-000900	O-RING, 1AP90.0			2	2				
32	1	124460-77680	RETAINER			2	2				
33	1	23061-070300	PIPE, 7X 300			2	2				
34	1	23875-030000	PLUG, R03			1	1				
35	1	24311-000180	O-RING, 1AP18.0			2	2				
36	1	26106-081002	BOLT, M8X100 PLATED			2	2				
37	1	26106-081202	BOLT, M8X120 PLATED			2	2				
38	1	26106-080202	BOLT, M8X 20 PLATED						3		
38-1	1	26212-080162	STUD M 8X 16			3	3				F 1
			(C=*1992.02)								
39	1	26106-080252	BOLT, M8X 25 PLATED			4	4				
40	1	26106-080252	BOLT, M8X 25 PLATED			2	2				
41	1	26106-100252	BOLT, M10X 25 PLATED			1	1				
42	1	26366-080002	NUT, M8			3	3				W
			(C=*1992.02)								
43	1	119173-33150	BRACKET			1	1				

Remarks
(1)Interchangeable by simultaneous replacement with Ref.No.42.

Fig.31. LUB. OIL COOLER HOUSINGG

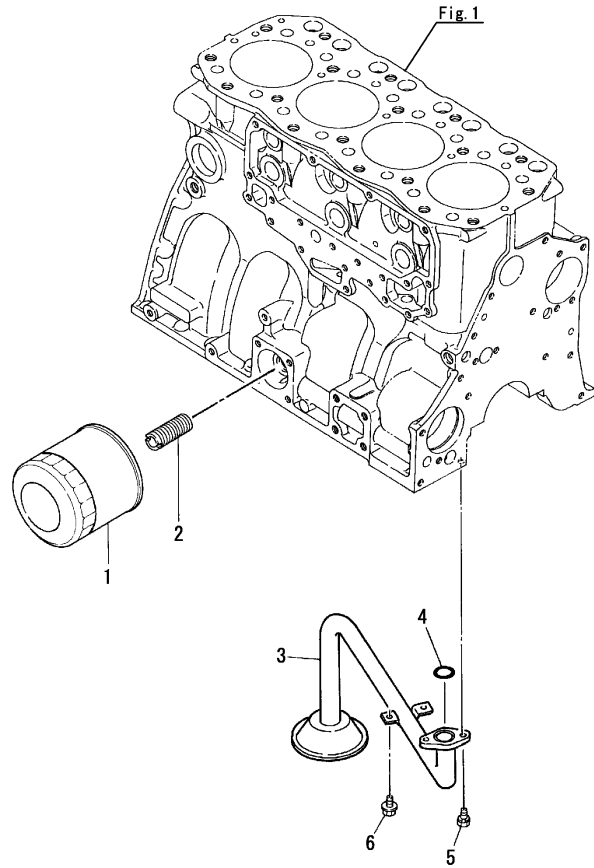


(A)=4LH-TE
(B)=4LH-HTE
(C)=4LH-DTE

(D)=4LH-STE
(E)=
(F)=

No.	Lev.	Parts No.	Description	Q'ty						I	R
				(A)	(B)	(C)	(D)	(E)	(F)		
1	1	719171-33100	CASE ASSY, COOLER	1	1	1	1				
3	2	119000-34030	VALVE, CONTROL	1	1	1	1				
4	2	124411-35520	SPRING	1	1	1	1				
7	2	23414-180000	GASKET, 18X1.0	2	2	2	2				
8	1	23414-080000	GASKET, 8X1.0	1	1						
9	1	26106-080122	BOLT, M8X 12 PLATED	1	1						
10	1	119000-33020	GASKET	1	1	1					
10-1	1	119000-33021	GASKET	1	1	1					N
		(A=EXXXXX) (B=EXXXXX) (C=EXXXXX)									
10-2	1	119000-33022	GASKET	1	1	1	1				N
		(A=E10724) (B=E21492) (C=E22147)									
11	1	119000-33030	BEND	1	1	1	1				
12	1	119000-33040	GASKET	1	1	1					
12-1	1	119000-33041	GASKET	1	1	1	1				N
		(A=*1990.09) (B=*1990.09) (C=*1990.09)									
13	1	26106-080202	BOLT, M8X 20 PLATED	3	3	3	3				
14	1	26106-080202	BOLT, M8X 20 PLATED	1	1	1	1				
15	1	26106-080352	BOLT, M8X 35 PLATED	8	8	8	8				
16	1	26106-080352	BOLT, M8X 35 PLATED	1	1	1	1				
17	1	26106-080502	BOLT, M8X 50 PLATED	10	10	10	10				

Fig.32. LUB. OIL SYSTEM(4LH-TE,HTE)



(A)=4LH-TE
(B)=4LH-HTE
(C)=4LH-DTE

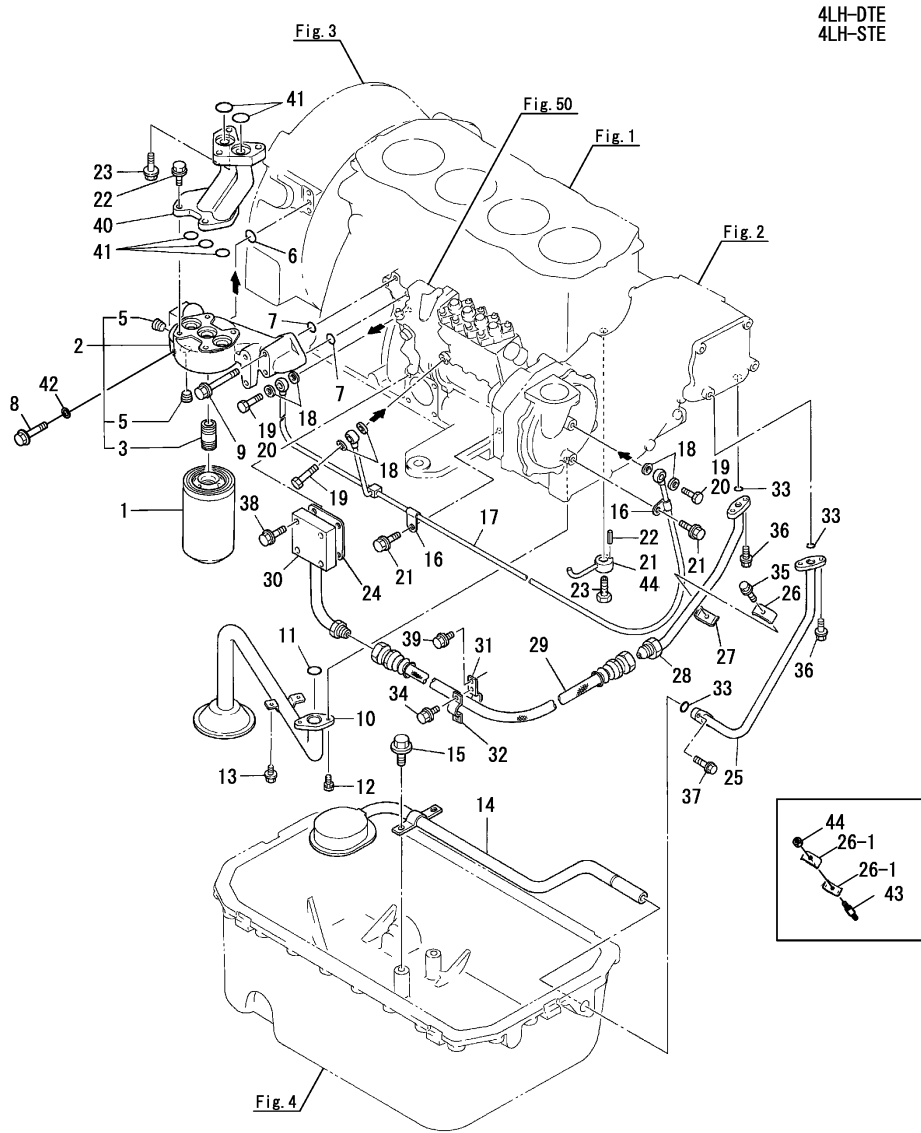
(D)=4LH-STE
(E)=
(F)=

No.	Lev.	Parts No.	Description	Q'ty						I	R
				(A)	(B)	(C)	(D)	(E)	(F)		
1	1	119100-35100	FILTER, OIL	1	1						
1-1	1	119005-35100	FILTER, D80X100L	1	1						R
		(A=*1991.05)	(B=*1991.05)								
1-2	1	119005-35160	FILTER, OIL 80X100L	1	1						R
		(A=EXXXXX)	(B=EXXXXX)								
2	1	119000-35140	BOLT, FILTER	1	1						
3	1	119100-35090	PIPE ASSY, OIL INLET	1	1						
4	1	24311-000220	O-RING, 1AP22.0	1	1						
5	1	26013-080162	BOLT, M8X 16	2	2						
6	1	26106-080162	BOLT, M8X 16 PLATED	2	2						

Fig.33. LUB. OIL SYSTEM(4LH-DTE,STE)

(A)=4LH-TE
(B)=4LH-HTE
(C)=4LH-DTE

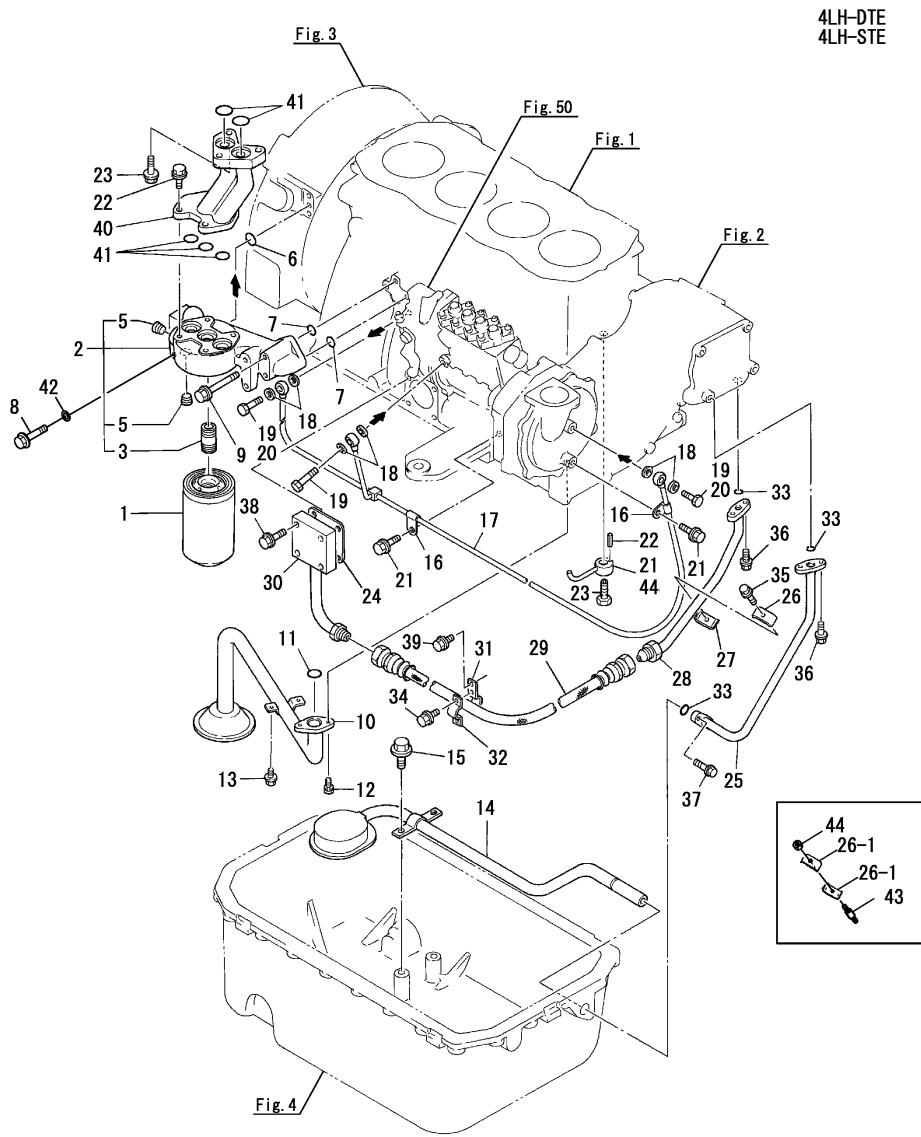
(D)=4LH-STE
(E)=
(F)=



4LH-DTE
4LH-STE

No.	Lev.	Parts No.	Description	Q'ty						I	R
				(A)	(B)	(C)	(D)	(E)	(F)		
1	1	127488-35150	FILTER, OIL			1					
1-1	1	127695-35150	FILTER, OIL (C=*1990.07)			1	1				R
2	1	119173-35140	BRACKET, FILTER			1	1				
3	2	124610-35140	BRACKET			1	1				
5	2	23876-030000	PLUG, R03			2	2				
6	1	24311-000120	O-RING, 1AP12.0			1	1				
7	1	24311-000180	O-RING, 1AP18.0			2	2				
8	1	26106-080452	BOLT, M8X 45 PLATED			2	2				
8-1	1	26106-080502	BOLT, M8X 50 PLATED (C=EXXXXX) (D=EXXXXX)			2	2				N
9	1	26106-080702	BOLT, M8X 70 PLATED			2	2				
9-1	1	26106-081102	BOLT, M8X110 PLATED (C=EXXXXX) (D=EXXXXX)			2	2				N
10	1	119100-35090	PIPE ASSY, OIL INLET			1	1				
11	1	24311-000220	O-RING, 1AP22.0			1	1				
12	1	26013-080162	BOLT, M8X 16			2	2				
13	1	26106-080162	BOLT, M8X 16 PLATED			2	2				
14	1	119187-35100	PIPE ASSY, OIL INLET			1	1				
15	1	26106-060122	BOLT, M6X 12 PLATED			2	2				
16	1	124450-39240	RETAINER, PIPE			2	2				
16-1	1	23297-060081	CLAMP, A6X 8 (C=*1992.02)			2	2				N
17	1	119187-39400	PIPE ASSY, OIL			1					
17A	1	119181-39400	PIPE ASSY, OIL				1				
17A-1	1	119181-39401	PIPE ASSY, OIL (D=E52679)				1				N
18	1	23414-080000	GASKET, 8X1.0			6					
18A	1	22190-080002	WASHER, SEAL 6				6				
19	1	23857-030000	BOLT, JOINT 3			3	3				
19-1	1	23857-030000	BOLT, JOINT 3 (C=E24667) (D=E52547)			1	1				K
20	1	129198-59540	BOLT, PIPE JOINT M8 (C=E24667) (D=E52547)			2	2				W
21	1	26106-080122	BOLT, M8X 12 PLATED			2	2				
22	1	26013-080252	BOLT, M8X 25			4	4				
22-1	1	26106-080252	BOLT, M8X 25 PLATED (C=*1990.03)			4	4				N
23	1	26106-080302	BOLT, M8X 30 PLATED			3	3				
24	1	119187-35160	GASKET			1	1				
24-1	1	119187-35161	GASKET (C=EXXXXX) (D=EXXXXX)			1	1				N
25	1	119173-39300	PIPE, OIL			1	1				
26	1	119187-39320	CLAMP, PIPE 14			1	1				
26-1	1	119175-39720	CLAMP (C=EXXXXX) (D=EXXXXX)			2	2				N
27	1	119187-39330	CLAMP, PIPE 14 (C=EXXXXX) (D=EXXXXX)			1	1				Z
28	1	119187-39360	PIPE, OIL			1	1				
29	1	119187-39370	HOSE, RUBBER			1	1				
30	1	119173-39380	PIPE, OIL			1	1				

Fig.33. LUB. OIL SYSTEM(4LH-DTE,STE)



4LH-DTE
4LH-STE

(A)=4LH-TE
(B)=4LH-HTE
(C)=4LH-DTE

(D)=4LH-STE
(E)=
(F)=

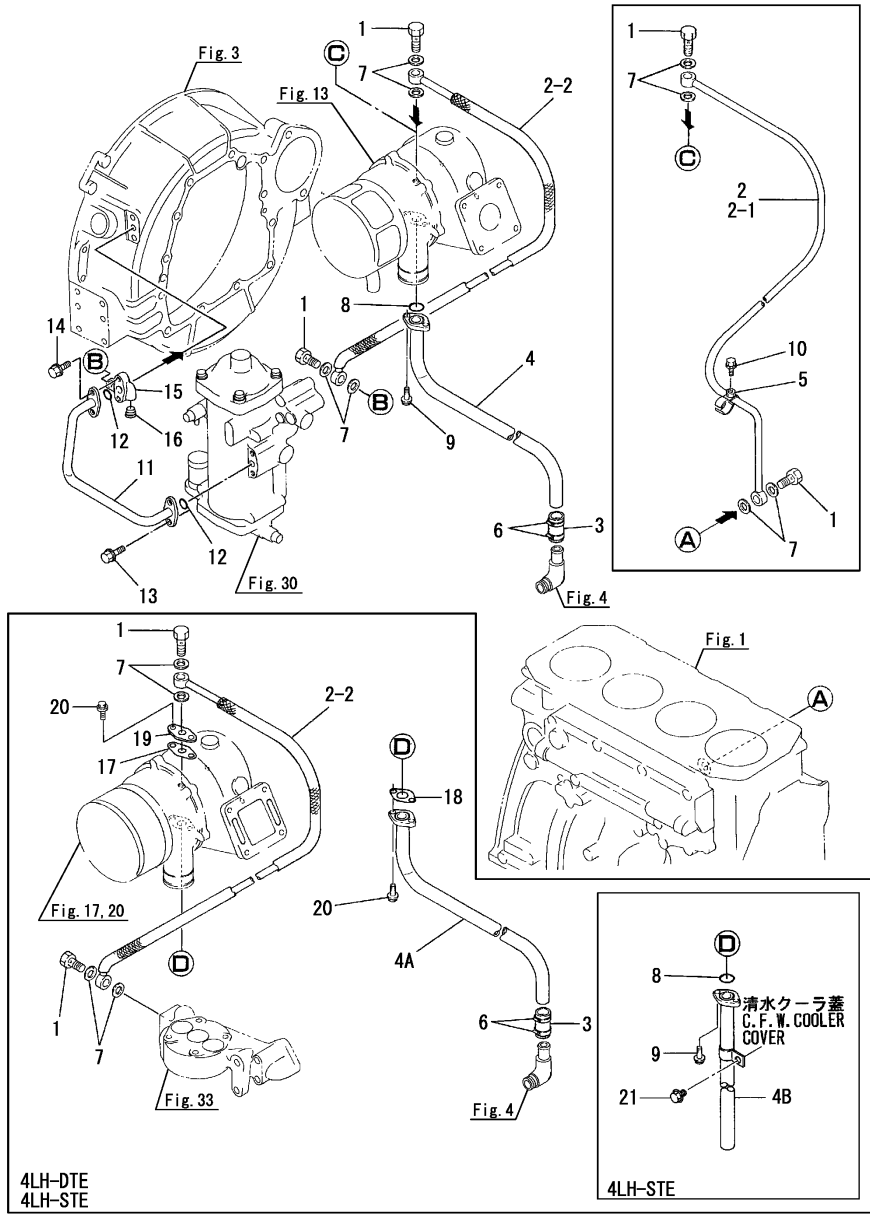
No.	Lev.	Parts No.	Description	Q'ty						I	R
				(A)	(B)	(C)	(D)	(E)	(F)		
30-1	1	119175-39350	PIPE, OIL (C=EXXXXX) (D=EXXXXX)			1	1				R
31	1	119173-39500	RETAINER			1					
31-1	1	119181-39500	RETAINER (C=E22633)			1	1				N
32	1	119173-39510	RETAINER			1	1				
33	1	24311-000120	O-RING, 1AP12.0			3	3				
34	1	26106-060122	BOLT, M6X 12 PLATED			2	2				
35	1	26106-060202	BOLT, M6X 20 PLATED			1	1				
36	1	26106-080162	BOLT, M8X 16 PLATED			4	4				
37	1	26013-080252	BOLT, M8X 25			2	2				
38	1	26106-080302	BOLT, M8X 30 PLATED			4	4				
39	1	26106-100162	BOLT, M10X 16 PLATED			1	1				
40	1	119173-39350	PIPE			1	1				
41	1	24321-000250	O-RING, 1AG25.0			5	5				
42	1	22137-080000	WASHER, 8 (C=EXXXXX) (D=EXXXXX)			2	2				W
43	1	119175-39710	BOLT (C=EXXXXX) (D=EXXXXX)			1	1				W
44	1	26366-080002	NUT, M8 (C=EXXXXX) (D=EXXXXX)			2	2				W

Fig.34. LUB. OIL PIPE(TURBOCHARGER)

4LH-TE
4LH-HTE

(A)=4LH-TE
(B)=4LH-HTE
(C)=4LH-DTE

(D)=4LH-STE
(E)=
(F)=



No.	Lev.	Parts No.	Description	Q'ty						I	R
				(A)	(B)	(C)	(D)	(E)	(F)		
1	1	121252-39150	BOLT, JOINT M10X1.5	2	2	2	2				
2	1	119171-39600	PIPE, OIL	1	1						
2-1	1	119187-39600	PIPE, OIL	1	1						S
2-2	1	119187-39610	PIPE, OIL	1	1	1	1				S
3	1	129792-39610	JOINT, RUBBER	1	1	1	1				
4	1	119171-39650	PIPE, OIL	1	1						
4A	1	119173-39750	PIPE, OIL			1					
4B	1	119184-39650	PIPE, OIL				1				
5	1	119171-39670	CLAMP, PIPE	1	1						Z
6	1	23000-025000	CLAMP, 25	2	2	2	2				
6-1	1	23000-022000	CLAMP, 22	2	2	2	2				N
7	1	23414-100000	GASKET, 10X1.0	4	4	4	4				
8	1	24311-000200	O-RING, 1AP20.0	1	1		1				
8-1	1	24316-000200	O-RING, 4DP20.0				1				N
9	1	26106-060162	BOLT, M6X 16 PLATED	2	2		2				
10	1	26106-060162	BOLT, M6X 16 PLATED	1	1						Z
11	1	119171-39350	PIPE, OIL	1	1						
11-1	1	119171-39351	PIPE, OIL	1	1						S
12	1	24311-000120	O-RING, 1AP12.0	2	2						
13	1	26106-080162	BOLT, M8X 16 PLATED	2	2						
14	1	26106-080202	BOLT, M8X 20 PLATED	2	2						
14-1	1	26106-080502	BOLT, M8X 50 PLATED	2	2						S
15	1	119187-39441	SPACER	1	1						W
16	1	23871-020000	PLUG, R02	1	1						W
17	1	123688-39720	GASKET				1				
17-1	1	123688-39721	GASKET				1				N
18	1	123688-39790	GASKET				1				
18-1	1	123688-39791	GASKET				1				N
19	1	119173-39900	FLANGE				1				
20	1	26106-080202	BOLT, M8X 20 PLATED				4				
21	1	26106-060122	BOLT, M6X 12 PLATED						1		

Fig.35. OIL SUCTION/DRAIN PUMP

(A)=4LH-TE
(B)=4LH-HTE
(C)=4LH-DTE

(D)=4LH-STE
(E)=
(F)=

No.	Lev.	Parts No.	Description	Q'ty						I	R
				(A)	(B)	(C)	(D)	(E)	(F)		
1	1	124413-39100	PUMP ASSY, WASTE	1	1	1	1				
2	1	43720-001220	PIPE	1	1	1	1				
2-1	1	120130-39990	HOSE,OIL DRAIN 3M	1	1	1	1				N

(A=EXXXXX) (B=EXXXXX) (C=EXXXXX) (D=EXXXXX)

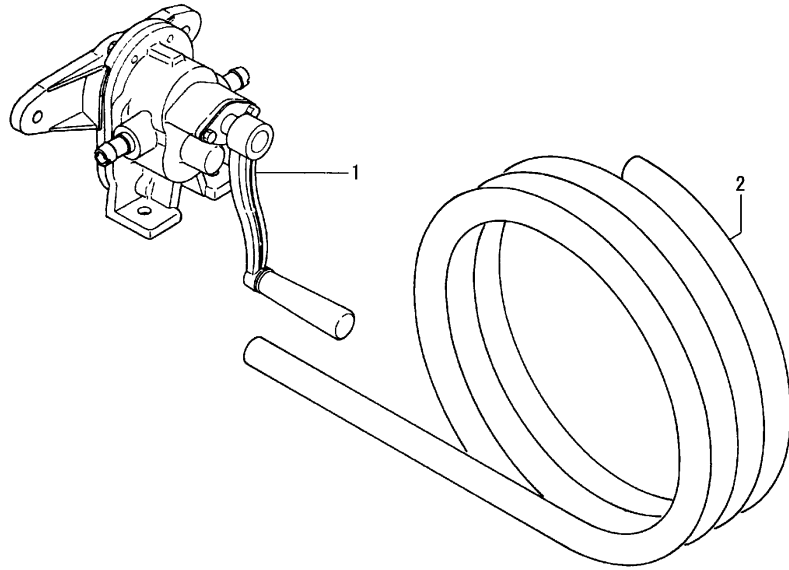
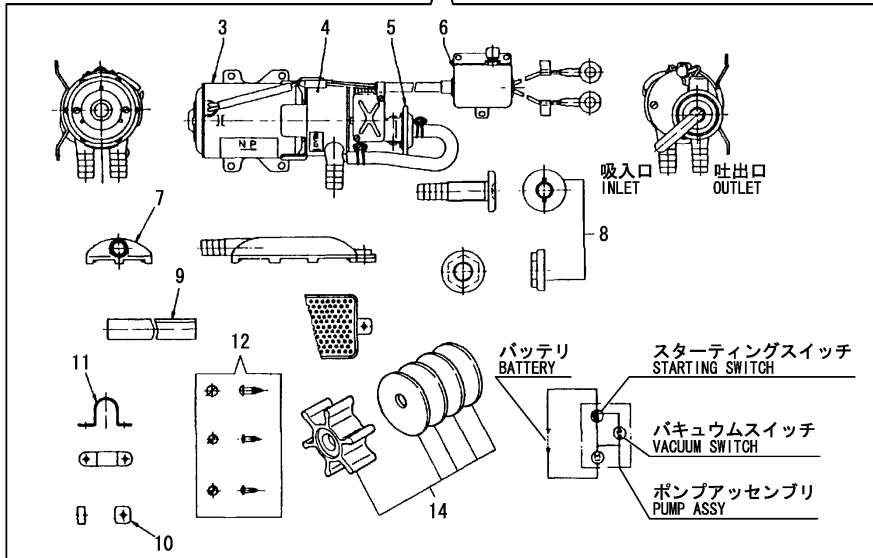
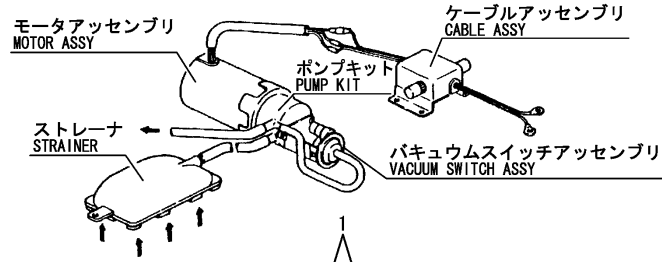


Fig.36. BILGE PUMP(OPTIONAL)(UP TO EXXXXX)

(A)=4LH-TE
(B)=4LH-HTE
(C)=4LH-DTE

(D)=4LH-STE
(E)=
(F)=

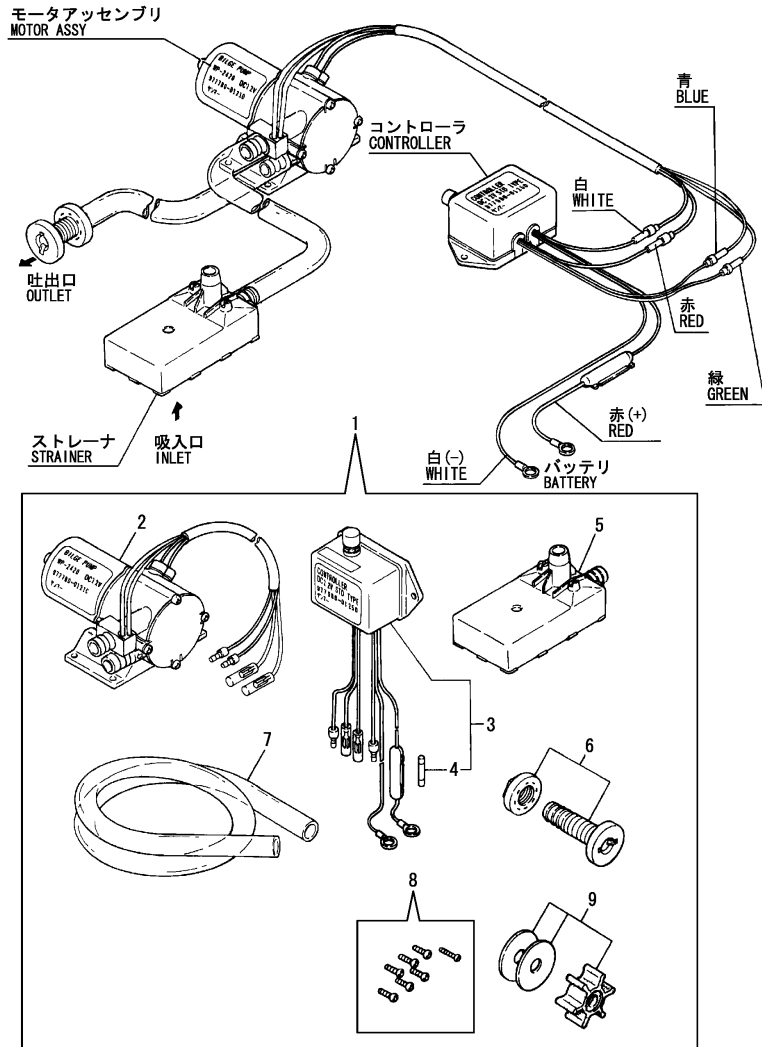


No.	Lev.	Parts No.	Description	Qty						I	R
				(A)	(B)	(C)	(D)	(E)	(F)		
1	1	977782-00121	PUMP ASSY, W/TIMMER	1	1	1					
3	2	XBP1902200	MOTER ASSY	1	1	1					
4	2	XBP1901300	PUMP SET	1	1	1					
5	2	XBP1902400	VACUUM SWITCH ASSY	1	1	1					
6	2	XBP1905500	CABLE ASSY.	1	1	1					
7	2	XBP1902810	STRAINER	1	1	1					
8	2	XBP1901820	OUTLET	1	1	1					
9	2	XBP1901830	HOSE	1	1	1					
10	2	XBP1901910	SPACER	1	1	1					
11	2	XBP1901920	CLAMP	1	1	1					
12	2	XBP1901950	SCREW SET	1	1	1					
14	2	947859-20010	IMPELLER	1	1	1					

Fig.37. BILGE PUMP(STD,OPTIONAL)(UP TO EXXXXX)

(A)=4LH-TE
(B)=4LH-HTE
(C)=4LH-DTE

(D)=4LH-STE
(E)=
(F)=



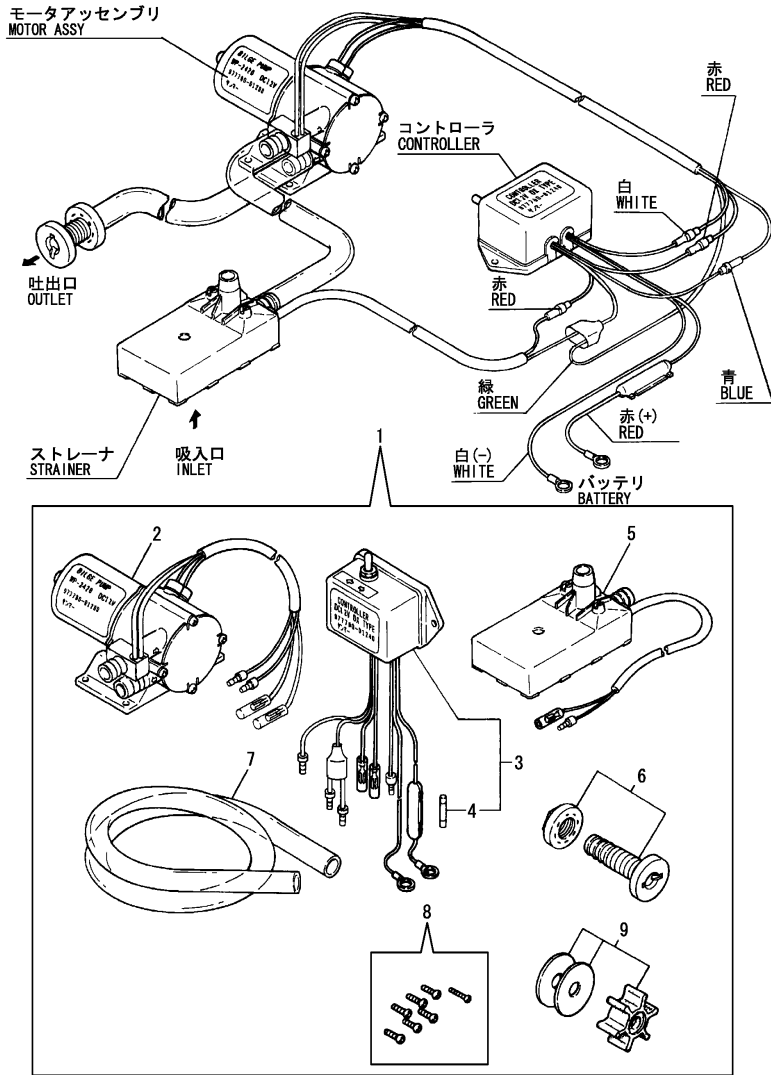
No.	Lev.	Parts No.	Description	Qty						I	R
				(A)	(B)	(C)	(D)	(E)	(F)		
1	1	977780-01210	PUMP(12V).BILGE	1	1	1	1				
1-1	1	977780-01211	PUMP,BILGE (12V	1	1	1	1				N 1
		(A=EXXXXX) (B=EXXXXX) (C=EXXXXX) (D=EXXXXX)									
2	2	977780-01230	MOTOR ASSY(BILG PUMP	1	1	1	1				
3	2	977780-01250	CONTROLLER	1	1	1	1				
4	3	X8636008003	FUSE	1	1	1	1				
5	2	X179100021X	STRAINER	1	1	1	1				
6	2	X179100100X	PIPE ASSY	1	1	1	1				
7	2	X0044021509	HOSE A	1	1	1	1				
8	2	X199903800X	SCREW KIT	1	1	1	1				
9	2	977780-03000	INPELLER	1	1	1	1				

Remarks
(1)Component parts:Refer to Fig.(38A)

Fig.38. BILGE PUMP(DX,OPTIONAL)(UP TO EXXXXX)

(A)=4LH-TE
(B)=4LH-HTE
(C)=4LH-DTE

(D)=4LH-STE
(E)=
(F)=



No.	Lev.	Parts No.	Description	Q'ty						I	R
				(A)	(B)	(C)	(D)	(E)	(F)		
1	1	977780-01200	PUMP(12V).BILGE	1	1	1	1				
1-1	1	977780-01211	PUMP,BILGE (12V	1	1	1	1				N 1
		(A=EXXXXX) (B=EXXXXX) (C=EXXXXX) (D=EXXXXX)									
2	2	977780-01230	MOTOR ASSY(BILG PUMP	1	1	1	1				
3	2	977780-01240	CONTROLLER	1	1	1	1				
4	3	X8636008003	FUSE	1	1	1	1				
5	2	X179100011X	STRAINER	1	1	1	1				
6	2	X179100100X	PIPE ASSY	1	1	1	1				
7	2	X0044021509	HOSE A	1	1	1	1				
8	2	X199903800X	SCREW KIT	1	1	1	1				
9	2	977780-03000	INPELLER	1	1	1	1				

Remarks
(1)Component parts:Refer to Fig.(38A)

Fig.99. (38A)BILGE PUMP(OPTIONAL)(FROM EXXXXX)

(A)=4LH-TE
(B)=4LH-HTE
(C)=4LH-DTE

(D)=4LH-STE
(E)=
(F)=

No.	Lev.	Parts No.	Description	Q'ty						I	R
				(A)	(B)	(C)	(D)	(E)	(F)		
1	1	977780-01211	PUMP,BILGE (12V	1	1	1	1				
2	2	X0318101004	MOTOR ASSY, BILGE	1	1	1	1				
3	2	X158606410X	SWITH	1	1	1	1				
4	3	X8636015001	FUSE	1	1	1	1				
5	2	X179100022X	STRAINER	1	1	1	1				
6	2	X179100100X	PIPE ASSY	1	1	1	1				
7	2	X0044021509	HOSE A	1	1	1	1				
8	2	X199906101X	SCREW SET	1	1	1	1				
9	2	977780-03000	INPELLER	1	1	1	1				

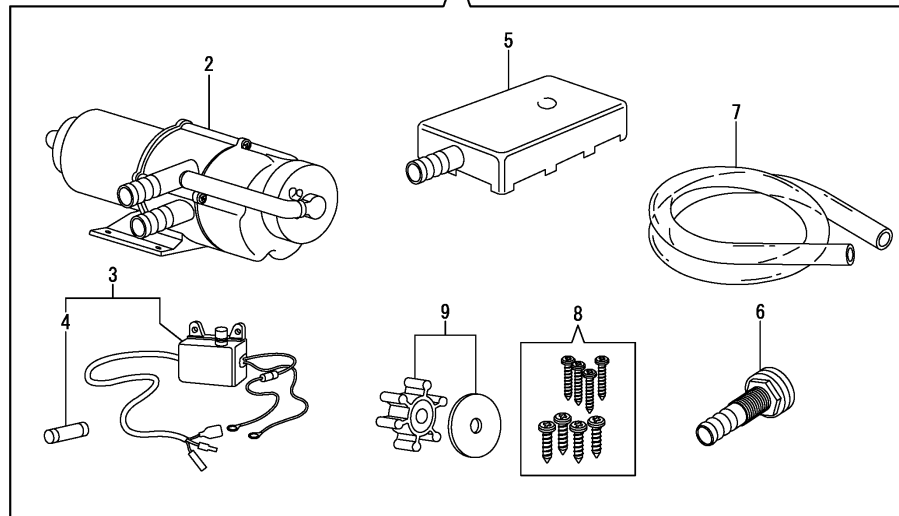
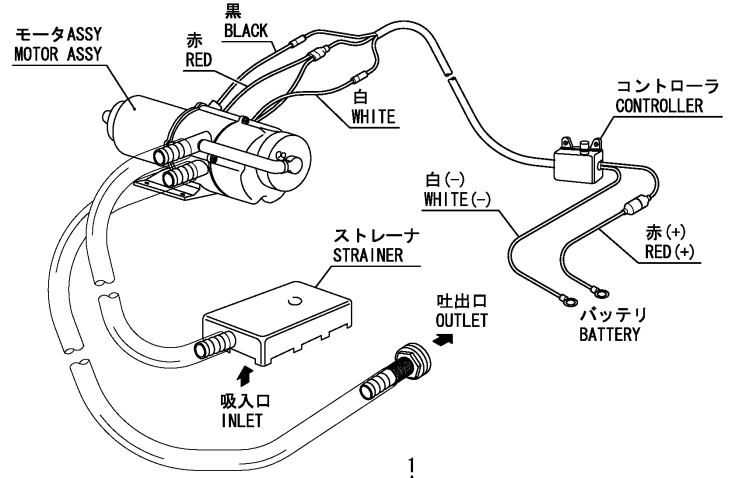
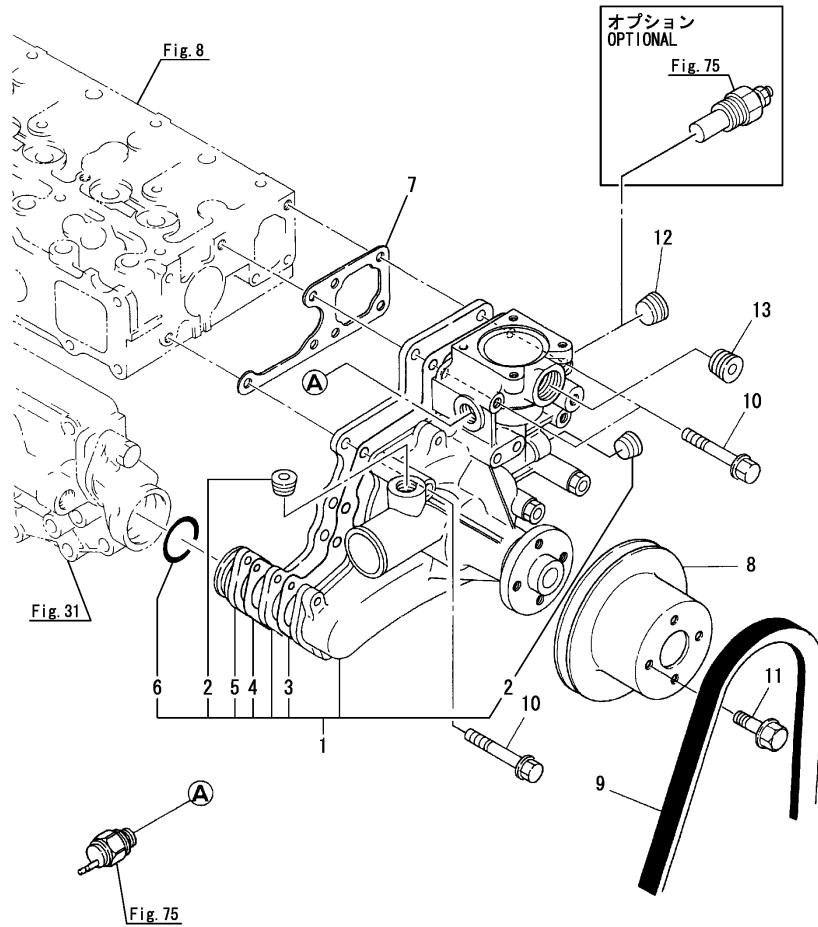


Fig.39. COOLING FRESH WATER PUMP

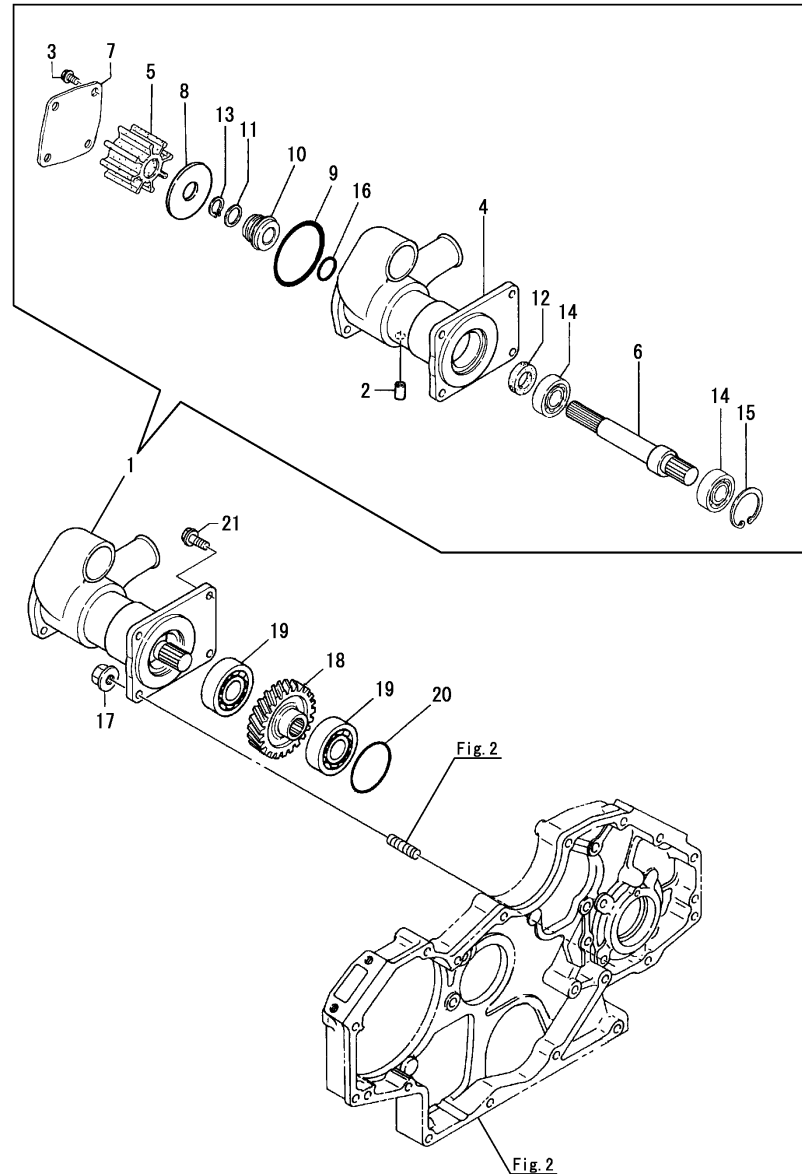
(A)=4LH-TE
(B)=4LH-HTE
(C)=4LH-DTE

(D)=4LH-STE
(E)=
(F)=



No.	Lev.	Parts No.	Description	Q'ty						I	R
				(A)	(B)	(C)	(D)	(E)	(F)		
1	1	119171-42000	PUMP ASSY, WATER	1	1	1					
1-1	1	119171-42001	PUMP ASSY, WATER	1	1	1	1				N
		(A=*1991.09) (B=*1991.09) (C=*1991.09)									
1-2	1	119171-42002	PUMP ASSY, WATER	1	1	1	1				R
		(A=E11269) (B=E23165) (C=E24888) (D=E52738)									
1-3	1	119171-42003	PUMP ASSY, WATER	1	1	1	1				R
		(A=EXXXXX) (B=EXXXXX) (C=EXXXXX) (D=EXXXXX)									
2	2	23871-030000	PLUG, R03	1	1	1	1				
3	2	119000-42051	GASKET, WATER PUMP	1	1	1	1				
4	2	119000-42150	GASKET, WATER PUMP	1	1	1	1				
4-1	2	119000-42151	GASKET, WATER PUMP	1	1	1	1				R
		(A=E11269) (B=E23165) (C=E24888) (D=E52738)									
5	2	119000-42141	FLANGE	1	1	1	1				
6	2	24311-000360	O-RING, 1AP36.0	1	1	1	1				
6-1	2	119171-42300	O-RING	1	1	1	1				R
		(A=E11269) (B=E23165) (C=E24888) (D=E52738)									
7	1	119000-42020	GASKET, WATER PUMP	1	1	1					
7-1	1	119000-42021	GASKET, WATER PUMP	1	1	1	1				N
		(A=*1990.08) (B=*1990.08) (C=*1990.08)									
8	1	121850-42250	V-PULLEY	1	1	1	1				
9	1	121850-42280	V-BELT, A46	1	1	1	1				
10	1	26106-080652	BOLT, M8X 65 PLATED	5	5	5	5				
11	1	26106-080102	BOLT, M8X 10 PLATED	4	4	4	4				
12	1	23871-030000	PLUG, R03	1	1	1	1				
13	1	23871-040000	PLUG, R04	1	1	1	1				W
		(A=*1988.11) (B=*1988.11)									

Fig.40. COOLING SEA WATER PUMP



(A)=4LH-TE
(B)=4LH-HTE
(C)=4LH-DTE

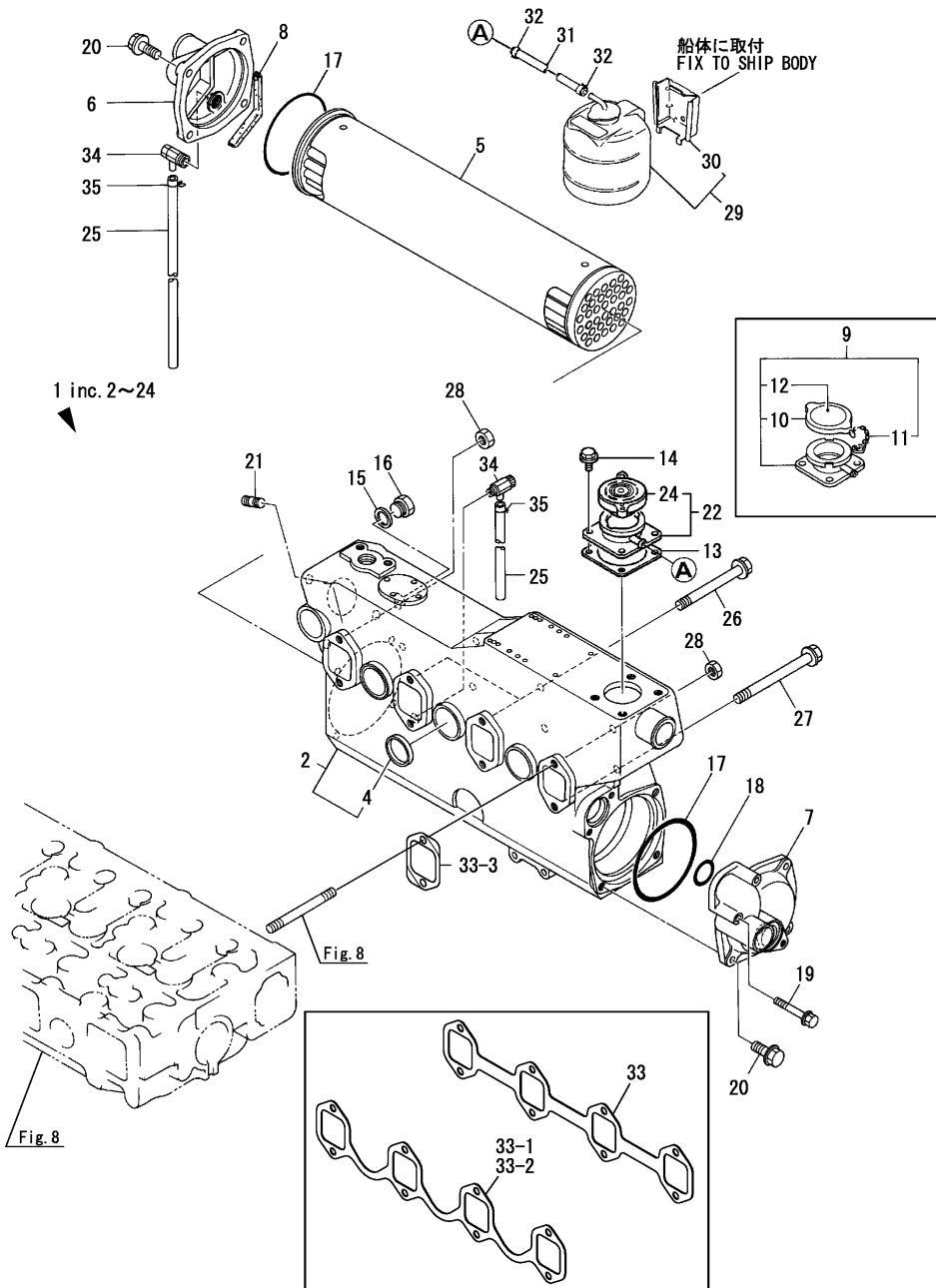
(D)=4LH-STE
(E)=
(F)=

No.	Lev.	Parts No.	Description	Qty						I	R
				(A)	(B)	(C)	(D)	(E)	(F)		
1	1	119171-42500	PUMP ASSY, WATER	1	1	1					
1-1	1	119171-42501	PUMP ASSY, WATER	1	1	1					N
		(A=EXXXXX) (B=EXXXXX) (C=EXXXXX)									
1A	1	119174-42500	PUMP ASSY, WATER								1
1A-1	1	119174-42501	PUMP ASSY, WATER								1
		(D=EXXXXX)									
2	2	126650-42301	JOINT, DRAIN	1	1	1	1				
3	2	26113-060102	BOLT, M6X 10	4	4	4	4				
4	2	119171-42510	BODY, WATER PUMP	1	1	1					
4A	2	XKFD4LH4251	BODY, PUMP								1
5	2	123325-42020	IMPELLER	1	1	1	1				
5-1	2	123325-42021	IMPELLER	1	1	1	1				N
		(A=EXXXXX) (B=EXXXXX) (C=EXXXXX) (D=EXXXXX)									
6	2	119171-42520	SHAFT, IMPELLER	1	1	1	1				
7	2	119171-42530	COVER	1	1	1	1				
8	2	119171-42540	PLATE	1	1	1					
8A	2	XKFD4LH4255	PLATE								1
9	2	24321-000700	O-RING, 1AG70.0	1	1	1	1				
10	2	123472-42060	SEAL, MECHANICAL	1	1	1	1				
11	2	123472-42090	COLLAR	1	1	1					
11A	2	XKFEM420210	COLLAR								1
12	2	123472-42150	SEAL, TC203508	1	1	1	1				
13	2	123472-42140	CIRCLIP	1	1	1	1				
14	2	24104-062044	BEARING, BALL 6204UU	2	2	2	2				
15	2	22252-000470	RING, 47	1	1	1	1				
16	2	24313-000200	O-RING 20P	1	1	1	1				
17	1	26366-080002	NUT, M8	2	2	2	2				
17-1	1	26306-080002	NUT, M8	2	2	2	2				N
		(A=EXXXXX) (B=EXXXXX) (C=EXXXXX) (D=EXXXXX)									
18	1	119100-26200	GEAR, PUMP	1	1	1	1				
19	1	24101-060064	BEARING, BALL 6006	2	2	2	2				
20	1	24341-000800	O-RING, 1AS80.0	1	1	1	1				
21	1	26106-080202	BOLT, M8X 20 PLATED	2	2	2	2				

Fig.41. COOLING FRESH WATER COOLER

(A)=4LH-TE
(B)=4LH-HTE
(C)=4LH-DTE

(D)=4LH-STE
(E)=
(F)=



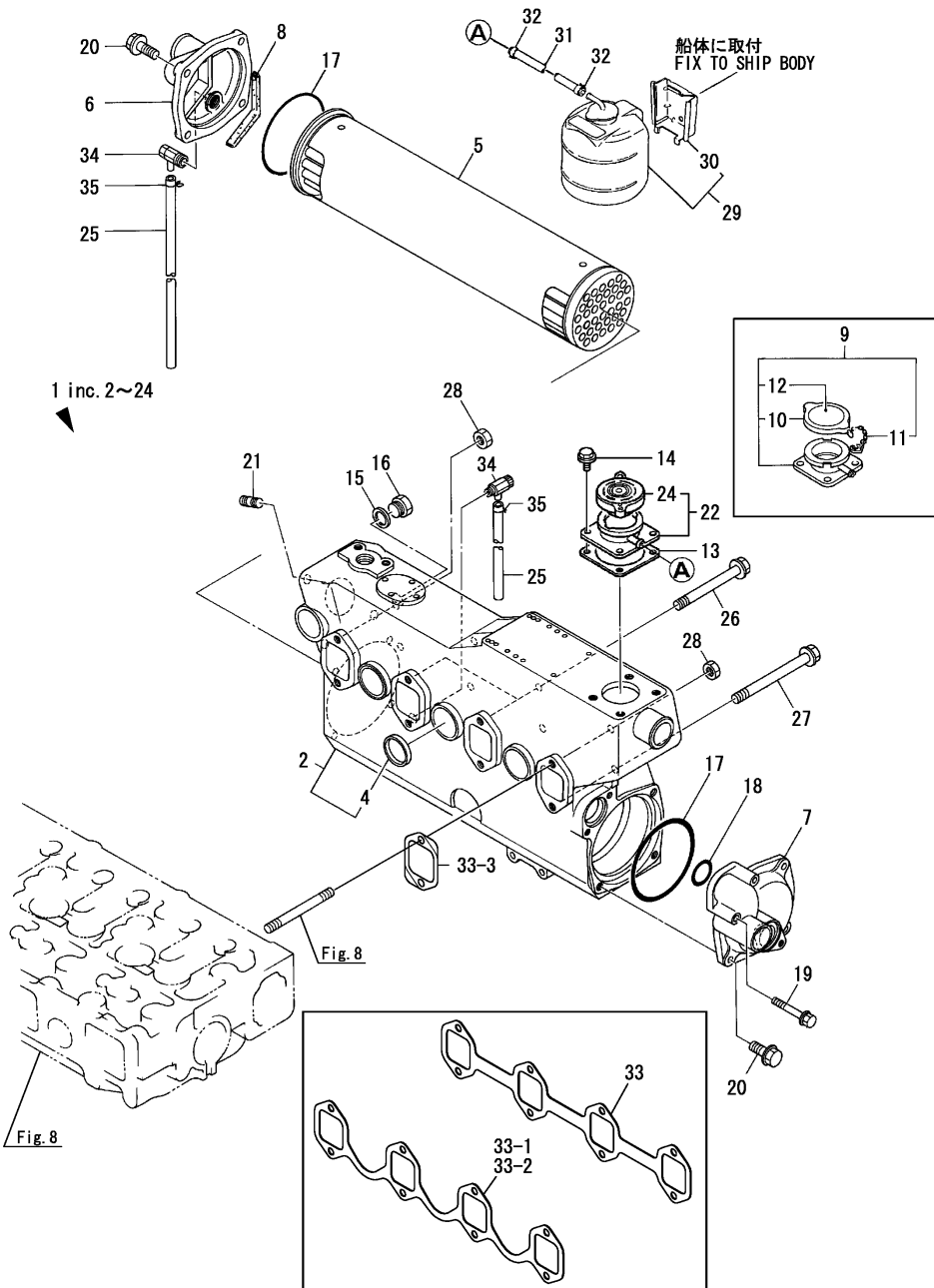
No.	Lev.	Parts No.	Description	Qty						I	R
				(A)	(B)	(C)	(D)	(E)	(F)		
1	1	719171-44500	CORE ASSY, COOLER	1	1	1					
2	2	119171-44000	COOLER ASSY, WATER	1	1	1					
4	3	27241-280000	PLUG, 28	4	4	4					
4-1	3	119773-13160 (A=*2003.09)	PLUG, 28 (B=*2003.09)	4	4	4					N
5	2	119171-44110	CORE ASSY, COOLER (C=*2003.09)	1	1	1					
6	2	119187-44440	COVER, COOLER	1	1	1					
7	2	119171-44450	COVER, COOLER	1	1	1					
8	2	119171-44470	GASKET	1	1	1					
9	2	120445-44600	FILLER ASSY (A=E11243)	1	1	1					Z
10	3	123682-44210 (A=E11243)	CAP, RADIATOR (B=E22991)	1	1	1					Z
11	3	123682-44220 (A=E11243)	CHAIN (B=E22991)	1	1	1					Z
12	3	120445-44620 (A=E11243)	LABEL, CAUTION (B=E22991)	1	1	1					Z
13	2	120445-44640	GASKET (C=E24806)	1	1	1					
14	2	26106-080142	BOLT, M8X 14 PLATED	4	4	4					
15	2	23414-170000	GASKET, 17X1.0	1	1	1					
16	2	23893-030002	PLUG, G3/8	1	1	1					
16-1	2	23894-030002 (A=*1988.09)	PLUG, G3/8 (B=*1988.09)	1	1	1					R
17	2	24311-001000	O-RING, 1AP100.0	2	2	2					
18	2	24321-000300	O-RING, 1AG30.0	1	1	1					
19	2	26106-060502	BOLT, M6X 50 PLATED	2	2	2					
20	2	26106-080252	BOLT, M8X 25 PLATED	7	7	7					
21	2	26226-100252	STUD, M10X 25	2	2	2					
21-1	2	26223-100252 (A=*1987.08)	STUD, M10X 25 (B=*1987.08)	2	2	2					R
22	2	129171-44600 (A=E11243)	FILLER ASSY (B=E22991)	1	1	1					W
24	3	129107-44590 (A=E11243)	CAP, RADIATOR (B=E22991)	1	1	1					W
25	1	23061-070300	PIPE, 7X 300 (C=E24806)	2	2	2					
26	1	26106-081052	BOLT, M8X105 PLATED	2	2	2					
27	1	26106-081202	BOLT, M8X120 PLATED	4	4	4					
28	1	26306-080002	NUT, M8	2	2	2					
29	1	720445-44200	TANK ASSY, SUB	1	1	1					
29-1	1	120445-44530 (A=*1988.07)	TANK, SUB (B=*1988.07)	1	1	1					R
30	2	120445-44540	SUPPORT	1	1	1					
31	1	124790-44560	PIPE, WATER L=1000	1	1	1					
32	1	23010-013000	CLAMP 13	2	2	2					
33	1	119101-13200	GASKET	1	1	1					
33-1	1	119171-13200 (A=E10886)	GASKET, COOLER (B=E21719)	1	1	1					N
33-2	1	119174-13201 (A=*2001.06)	GASKET, COOLER (B=E23431)	1	1	1					N
33-3	1	119595-13200 (A=*2003.09)	GASKET (B=*2003.09)	4	4	4					N
			(C=*2003.09)								

N:Old $\begin{matrix} \leftarrow \text{Yes} \\ \text{No} \end{matrix}$ New, Q:Old $\begin{matrix} \leftarrow \text{No} \\ \text{Yes} \end{matrix}$ New, R:Old $\begin{matrix} \leftarrow \text{Yes} \\ \text{Yes} \end{matrix}$ New, S:Old $\begin{matrix} \leftarrow \text{No} \\ \text{No} \end{matrix}$ New, W:Add, Z:Discontinued, F:Interchangeable by set, K:Qty Change
++ CONTINUE ++
Copyright (C) YANMAR CO., LTD. All Rights Reserved.

Fig.41. COOLING FRESH WATER COOLER

(A)=4LH-TE
(B)=4LH-HTE
(C)=4LH-DTE

(D)=4LH-STE
(E)=
(F)=

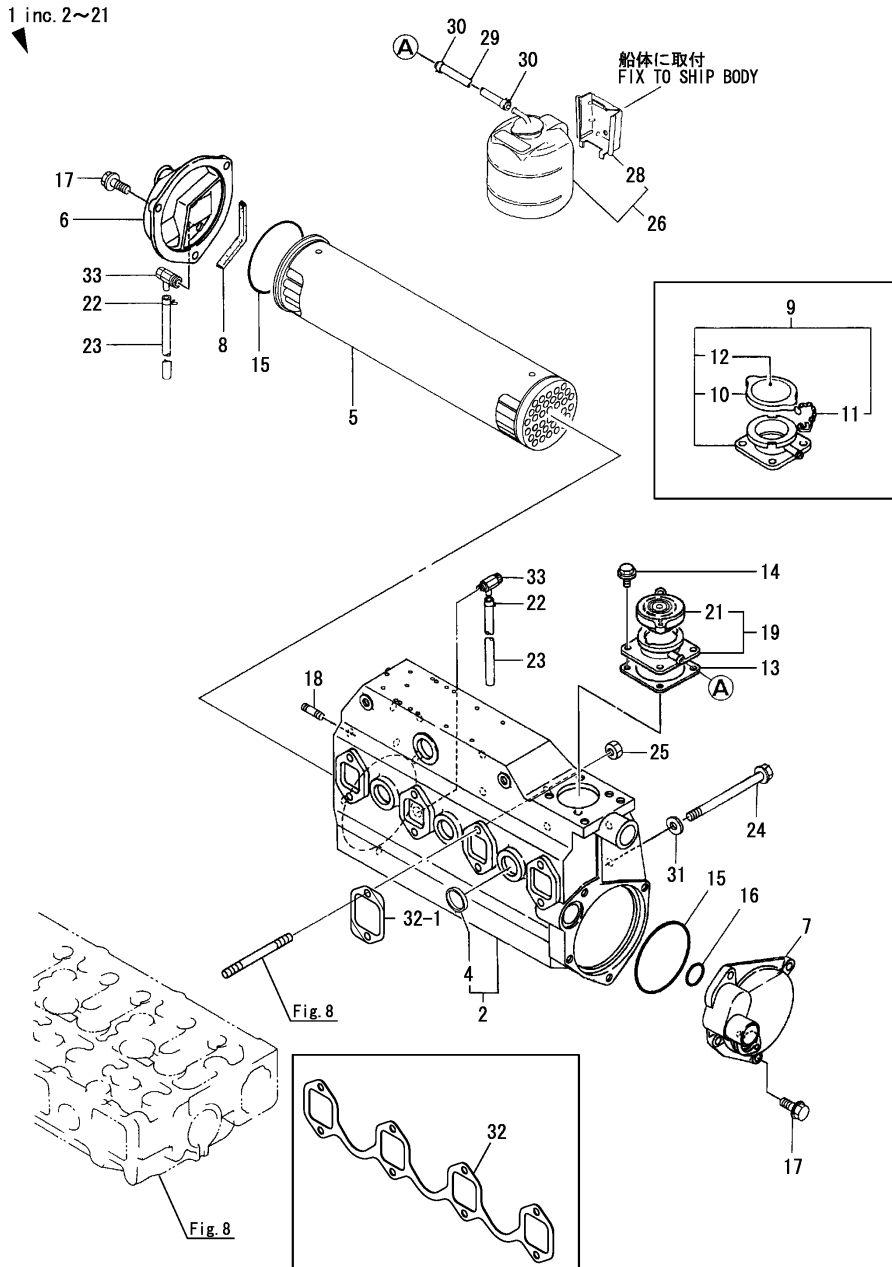


No.	Lev.	Parts No.	Description	Qty						I	R
				(A)	(B)	(C)	(D)	(E)	(F)		
34	1	120130-49350	COCK, 1/4	2	2	2					
34-1	1	119620-49290	COCK ASSY, 1/4	2	2	2					N
		(A=E11219) (B=E22835) (C=E24537)									
35	1	124460-77680	RETAINER	2	2	2					

Fig.42. COOLING FRESH WATER COOLER(4LH-STE)

(A)=4LH-TE
(B)=4LH-HTE
(C)=4LH-DTE

(D)=4LH-STE
(E)=
(F)=

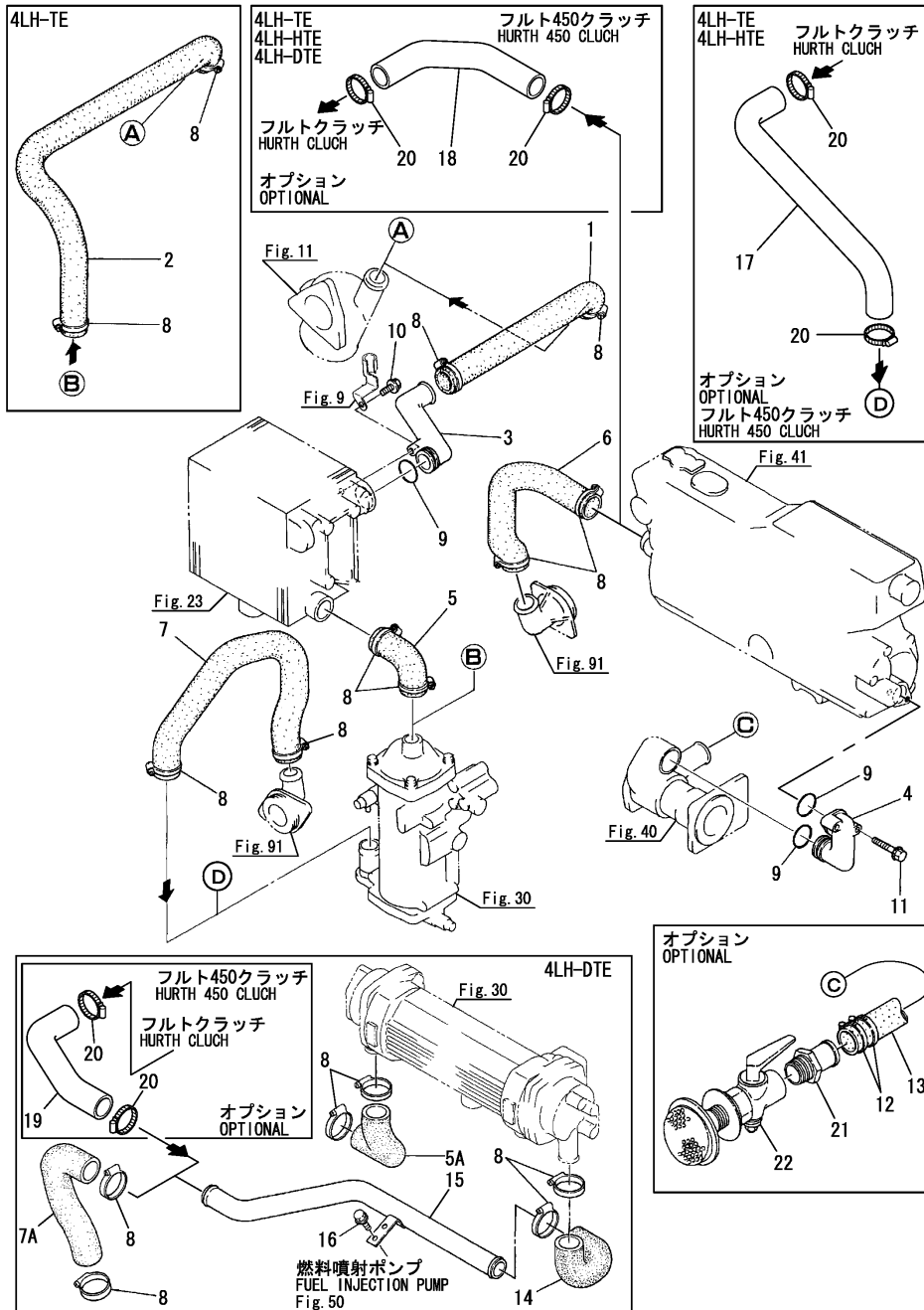


No.	Lev.	Parts No.	Description	Q'ty						I	R
				(A)	(B)	(C)	(D)	(E)	(F)		
1	1	719174-44501	CORE ASSY, COOLER				1				
2	2	119174-44001	COOLER ASSY, WATER				1				
2-1	2	119174-44002	COOLER ASSY, WATER				1				N
				(D=E52516)							
4	3	27241-280000	PLUG, 28				4				
4-1	3	119773-13160	PLUG, 28				4				N
				(D=EXXXXX)							
5	2	119181-44110	CORE ASSY, COOLER				1				
6	2	119174-44440	COVER, COOLER				1				
7	2	119174-44450	COVER, COOLER				1				
8	2	119174-44470	GASKET				1				
9	2	120445-44600	FILLER ASSY				1				Z
				(D=E52640)							
10	3	123682-44210	CAP, RADIATOR				1				Z
				(D=E52640)							
11	3	123682-44220	CHAIN				1				Z
				(D=E52640)							
12	3	120445-44620	LABEL, CAUTION				1				Z
				(D=E52640)							
13	2	120445-44640	GASKET				1				
14	2	26106-080142	BOLT, M8X 14 PLATED				4				
15	2	24311-001200	O-RING, 1AP120.0				2				
16	2	24321-000300	O-RING, 1AG30.0				1				
17	2	26106-080252	BOLT, M8X 25 PLATED				7				
18	2	26223-100252	STUD, M10X 25				4				
19	2	129171-44600	FILLER ASSY				1				W
				(D=E52640)							
21	3	129107-44590	CAP, RADIATOR				1				W
				(D=E52640)							
22	1	124460-77680	RETAINER				2				
23	1	23061-070300	PIPE, 7X 300				2				
24	1	26116-081402	BOLT, M8X140 PLATED				6				
25	1	26366-080002	NUT, M8				2				
25-1	1	26306-080002	NUT, M8				2				N
				(D=EXXXXX)							
26	1	720445-44200	TANK ASSY, SUB				1				
28	2	120445-44540	SUPPORT				1				
29	1	124790-44560	PIPE, WATER L=1000				1				
30	1	23010-013000	CLAMP 13				2				
31	1	22137-080000	WASHER, 8				6				
32	1	119174-13201	GASKET, COOLER				1				
32-1	1	119595-13200	GASKET				4				N
				(D=EXXXXX)							
33	1	120130-49350	COCK, 1/4				2				
33-1	1	119620-49290	COCK ASSY, 1/4				2				N
				(D=E52458)							

Fig.43. COOLING SEA WATER PIPE

(A)=4LH-TE
(B)=4LH-HTE
(C)=4LH-DTE

(D)=4LH-STE
(E)=
(F)=

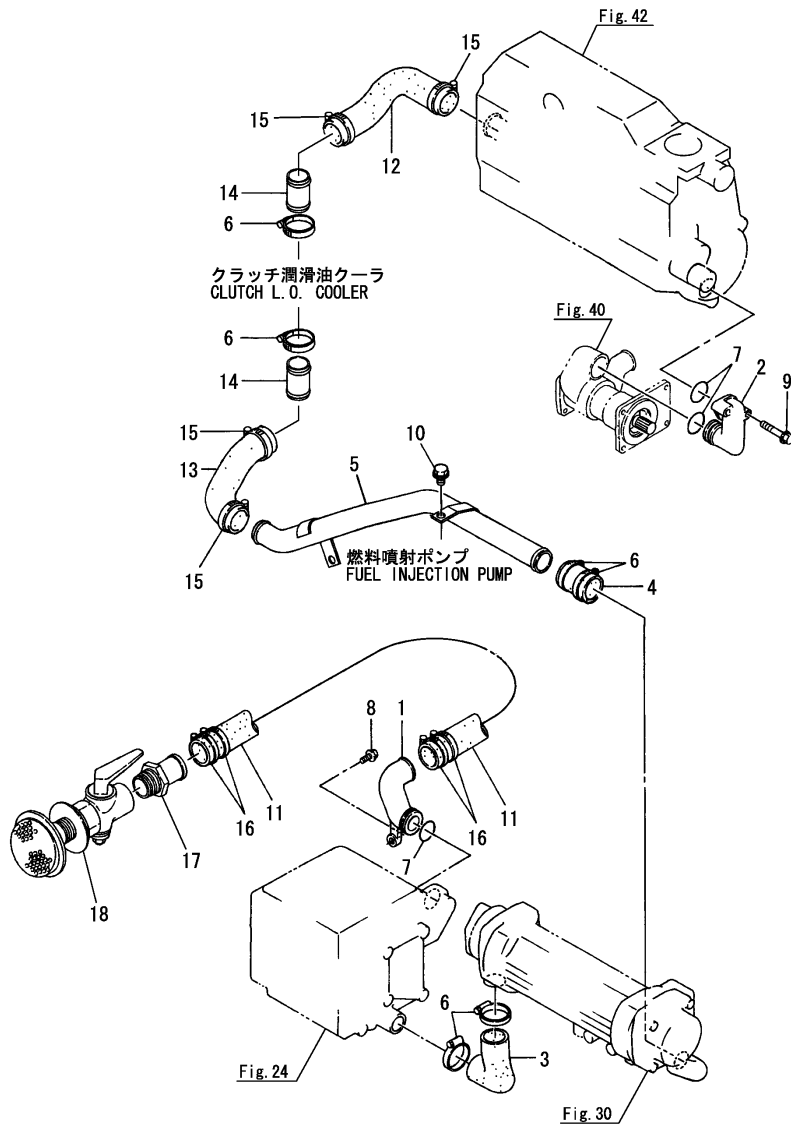


No.	Lev.	Parts No.	Description	Qty						I	R		
				(A)	(B)	(C)	(D)	(E)	(F)				
1	1	119173-49010	HOSE, COOLER										
1A	1	119171-49010	PIPE, WATER										
2	1	119171-49030	PIPE, WATER										
3	1	119172-49060	BEND										
4	1	119171-49070	BEND										
5	1	119171-49110	JOINT, RUBBER 32										
5A	1	119173-49110	JOINT, RUBBER										
5A-1	1	119174-49110	JOINT, RUBBER (C=E22343)										N
6	1	119171-49700	HOSE, CLUTCH										
7	1	119171-49710	HOSE, CLUTCH										
7A	1	119173-49730	HOSE, CLUTCH										
8	1	23000-048000	CLAMP, 48										
9	1	24321-000300	O-RING, 1AG30.0										
10	1	26106-060202	BOLT, M6X 20 PLATED										
11	1	26106-060352	BOLT, M6X 35 PLATED										
12	1	23000-048000	CLAMP, 48										
13	1	23072-122000	HOSE, 12X2000										
14	1	119173-49710	JOINT, RUBBER										
15	1	119173-49720	PIPE, WATER										
16	1	26106-080122	BOLT, M8X 12 PLATED										
17	1	119172-49750	HOSE, CLUTCH (A=E11022) (B=E22057)										W
18	1	119173-49740	HOSE, CLUTCH (A=E11022) (B=E22057) (C=E23412)										W
19	1	119173-49750	HOSE, CLUTCH (C=E23412)										W
20	1	23000-048000	CLAMP, 48 (A=E11022) (B=E22057) (C=E23412)										W
21	1	43530-500580	JOINT, PIPE 25A										
22	1	43662-025030	COCK ASSY, KINGSTON										

Fig.44. COOLING SEA WATER PIPE(4LH-STE)

(A)=4LH-TE
(B)=4LH-HTE
(C)=4LH-DTE

(D)=4LH-STE
(E)=
(F)=

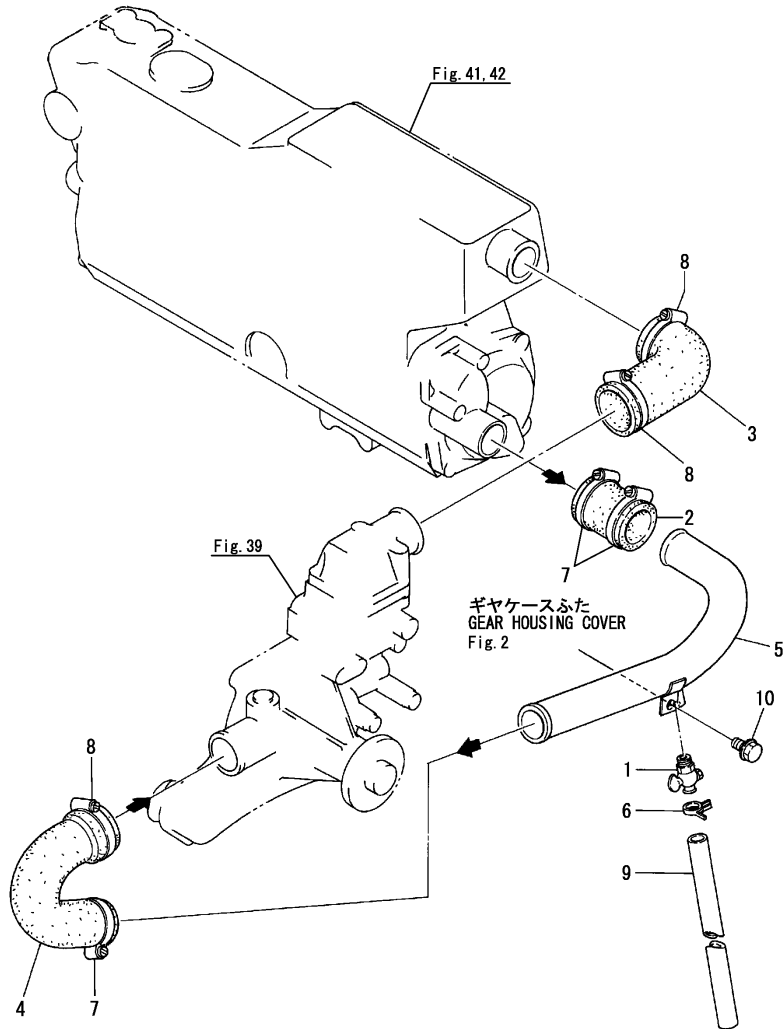


No.	Lev.	Parts No.	Description	Qty						I	R
				(A)	(B)	(C)	(D)	(E)	(F)		
1	1	119174-49060	BEND				1				
2	1	119171-49070	BEND				1				
3	1	119174-49110	JOINT, RUBBER				1				
4	1	120445-49150	JOINT, RUBBER				1				
5	1	119181-49720	PIPE, WATER				1				
5-1	1	119181-49721	PIPE, WATER				1				N
			(D=E50246)								
5-2	1	119181-49722	PIPE, WATER				1				N
			(D=E51497)								
6	1	23000-048000	CLAMP, 48				6				
7	1	24321-000300	O-RING, 1AG30.0				3				
8	1	26106-060202	BOLT, M6X 20 PLATED				1				
9	1	26106-060352	BOLT, M6X 35 PLATED				2				
10	1	26106-080122	BOLT, M8X 12 PLATED				1				
11	1	127610-49010	PIPE, WATER				1				
12	1	119181-49700	HOSE, CLUTCH				1				
13	1	119181-49710	HOSE, CLUTCH				1				
14	1	119181-49740	JOINT				2				
14-1	1	119181-49741	JOINT				2				N
			(D=E50246)								
15	1	23000-048000	CLAMP, 48				4				
16	1	23000-054000	CLAMP, 54				4				
17	1	43530-500610	JOINT, PIPE 30A				1				
18	1	43662-030030	COCK ASSY, KINGSTON				1				
18-1	1	43662-030031	COCK ASSY, KINGSTON				1				R
			(D=EXXXXX)								

Fig.45. COOLING FRESH WATER COOLER PIPE

(A)=4LH-TE
(B)=4LH-HTE
(C)=4LH-DTE

(D)=4LH-STE
(E)=
(F)=

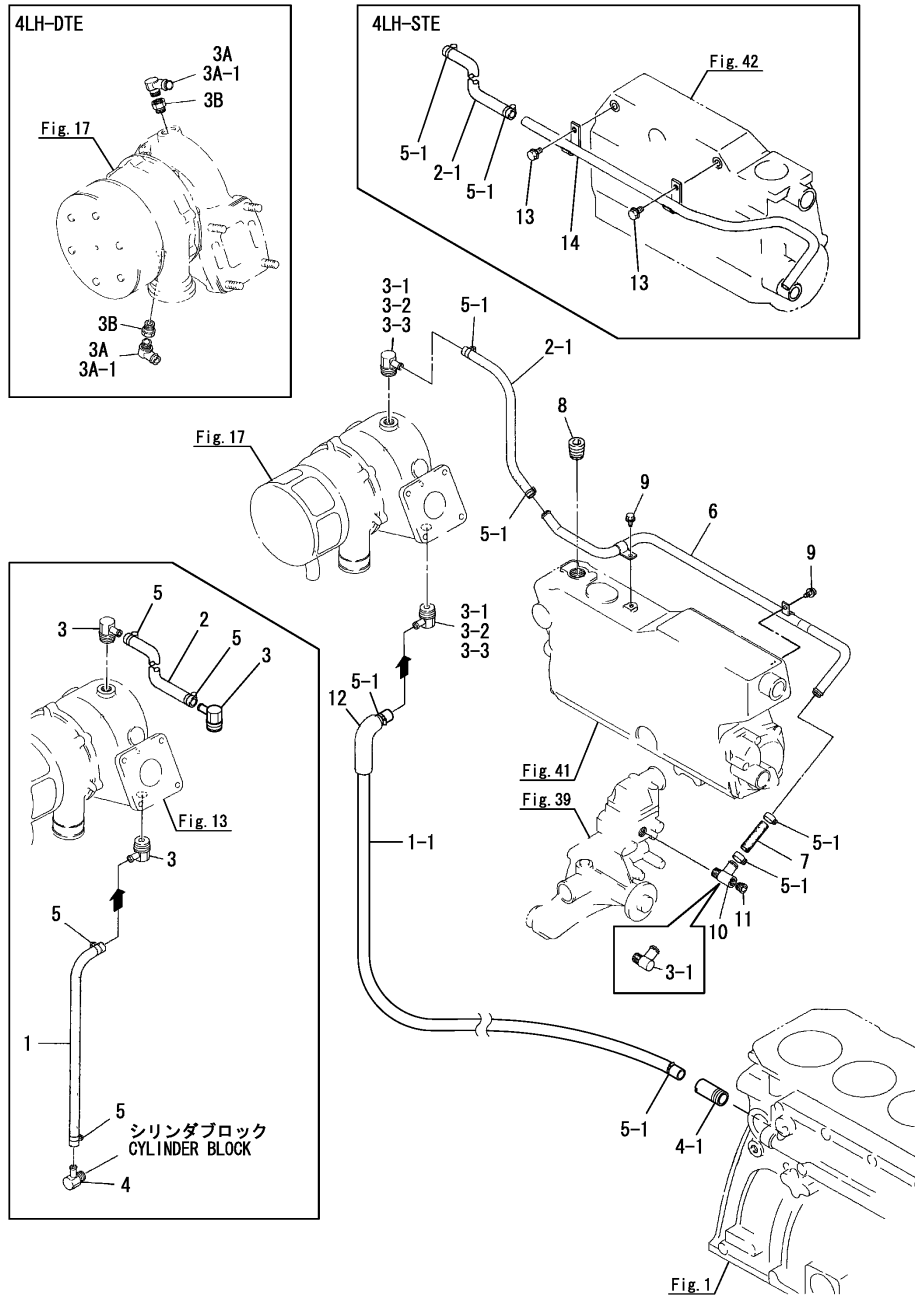


No.	Lev.	Parts No.	Description	Q'ty						I	R
				(A)	(B)	(C)	(D)	(E)	(F)		
1	1	128695-44090	COCK	1	1	1	1				
1-1	1	129670-49290	COCK ASSY, R1/8	1	1	1	1				N
		(A=E11232) (B=E22947) (C=E24708) (D=E52563)									
2	1	120445-49150	JOINT, RUBBER	1	1	1	1				
3	1	119171-49200	JOINT, RUBBER 38	1	1	1					
3A	1	119174-49250	JOINT, RUBBER 38							1	
4	1	119171-49240	JOINT, RUBBER 32/38	1	1	1	1				
5	1	119171-49250	PIPE, WATER	1	1	1	1				
6	1	124460-77680	RETAINER	1	1	1	1				
7	1	23000-048000	CLAMP, 48	3	3	3	3				
7-1	1	119172-48480	CLIP, HOSE 48	3	3	3	3				R
		(A=EXXXXX) (B=EXXXXX) (C=EXXXXX) (D=EXXXXX)									
8	1	23000-054000	CLAMP, 54	3	3	3	3				
8-1	1	119172-48540	CLIP, HOSE 54	3	3	3	3				R
		(A=EXXXXX) (B=EXXXXX) (C=EXXXXX) (D=EXXXXX)									
9	1	23061-070300	PIPE, 7X 300	1	1	1	1				
10	1	26106-080162	BOLT, M8X 16 PLATED	1	1	1	1				

Fig.46. COOLING FRESH WATER PIPE(TURBOCHARGER)

(A)=4LH-TE
(B)=4LH-HTE
(C)=4LH-DTE

(D)=4LH-STE
(E)=
(F)=

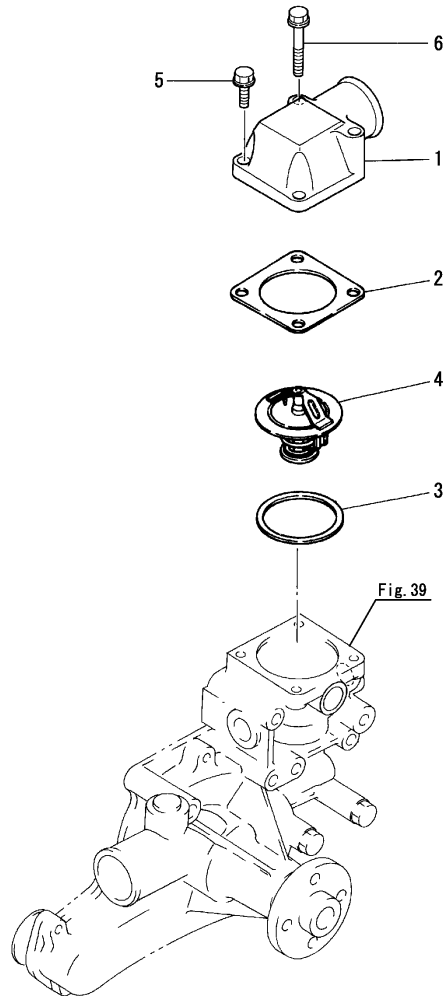


No.	Lev.	Parts No.	Description	Q'ty						I	R
				(A)	(B)	(C)	(D)	(E)	(F)		
1	1	119171-49300	PIPE, WATER	1	1						
1-1	1	119187-49300	HOSE, RUBBER	1	1		1				S
		(A=*1988.11) (B=*1988.11)									
1A	1	119173-49300	HOSE, RUBBER				1				
2	1	119171-49310	PIPE, WATER	1	1						
2-1	1	119187-49350	HOSE, RUBBER	1	1			1			S
		(A=*1988.11) (B=*1988.11)									
2A	1	119173-49350	HOSE, RUBBER					1			
3	1	119171-49320	JOINT	3	3						
3-1	1	119187-49320	JOINT	3	3						S
		(A=*1988.11) (B=*1988.11)									
3-2	1	119187-49320	JOINT	2	2						K
		(A=*1990.01) (B=*1990.01)									
3-3	1	119187-49321	JOINT	2	2			2			N
		(A=E10758) (B=E21542)									
3A	1	119173-49910	JOINT					2			
3A-1	1	119173-49911	JOINT					2			N
		(C=E22232)									
3B	1	119173-49320	PLUG					2			
4	1	119171-49330	JOINT	1	1						
4-1	1	104407-44480	JOINT	1	1	1	1				S
		(A=*1988.11) (B=*1988.11)									
5	1	23000-016000	CLAMP, 16	4	4						
5-1	1	23000-025000	CLAMP, 25	6	6	6	6				S
		(A=*1988.11) (B=*1988.11)									
5-2	1	119172-48250	CLIP, HOSE 25	6	6	6	6				R
		(A=EXXXXX) (B=EXXXXX) (C=EXXXXX) (D=EXXXXX)									
6	1	119187-49340	PIPE, WATER	1	1	1					W
		(A=*1988.11) (B=*1988.11)									
7	1	119187-49360	HOSE, RUBBER	1	1	1	1				W
		(A=*1988.11) (B=*1988.11)									
8	1	23876-040000	PLUG, R04	1	1	1	1				W
		(A=*1988.11) (B=*1988.11)									
9	1	26106-060122	BOLT, M6X 12 PLATED	2	2	2					W
		(A=*1988.11) (B=*1988.11)									
10	1	119187-49330	JOINT	1	1	1					W
		(A=*1990.01) (B=*1990.01)									
10-1	1	119187-49331	JOINT	1	1	1	1				N
		(A=E10765) (B=E21560) (C=E22322)									
11	1	23871-030000	PLUG, R03	1	1	1	1				W
		(A=*1990.01) (B=*1990.01)									
11-1	1	23875-030000	PLUG, R03	1	1	1	1				R
		(A=E11201) (B=E22728) (C=E24444) (D=E52372)									
12	1	119174-49310	PROTECTOR					1			
13	1	26106-080162	BOLT, M8X 16 PLATED					2			
14	1	119174-49341	PIPE, WATER					1			

Fig.47. THERMOSTAT

(A)=4LH-TE
(B)=4LH-HTE
(C)=4LH-DTE

(D)=4LH-STE
(E)=
(F)=

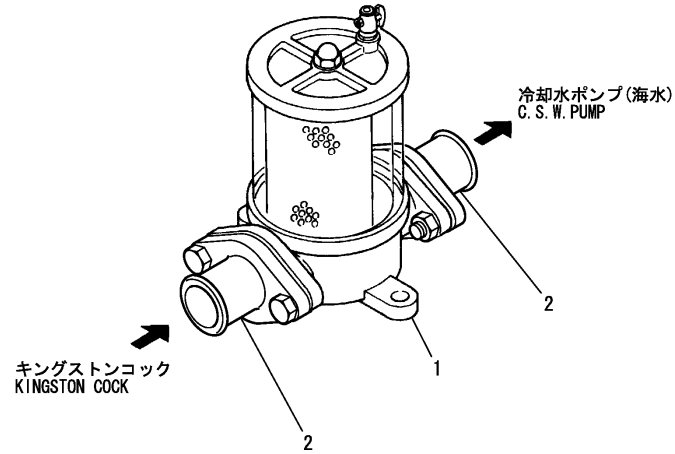


No.	Lev.	Parts No.	Description	Q'ty						I	R
				(A)	(B)	(C)	(D)	(E)	(F)		
1	1	119171-49530	COVER, THERMOSTAT	1	1	1	1				
2	1	121850-49540	GASKET, THERMOSTAT	1	1	1	1				
3	1	121850-49550	GASKET, THERMOSTAT	1	1	1	1				
4	1	121850-49810	THERMOSTAT, 71	1	1	1	1				
4-1	1	121850-49811	THERMOSTAT	1	1	1	1				N
		(A=EXXXXX) (B=EXXXXX) (C=EXXXXX) (D=EXXXXX)									
5	1	26106-060202	BOLT, M6X 20 PLATED	2	2	2	2				
6	1	26106-060452	BOLT, M6X 45 PLATED	2	2	2	2				

Fig.48. COOLING SEA WATER STRAINER(OPTIONAL)

(A)=4LH-TE
(B)=4LH-HTE
(C)=4LH-DTE

(D)=4LH-STE
(E)=
(F)=

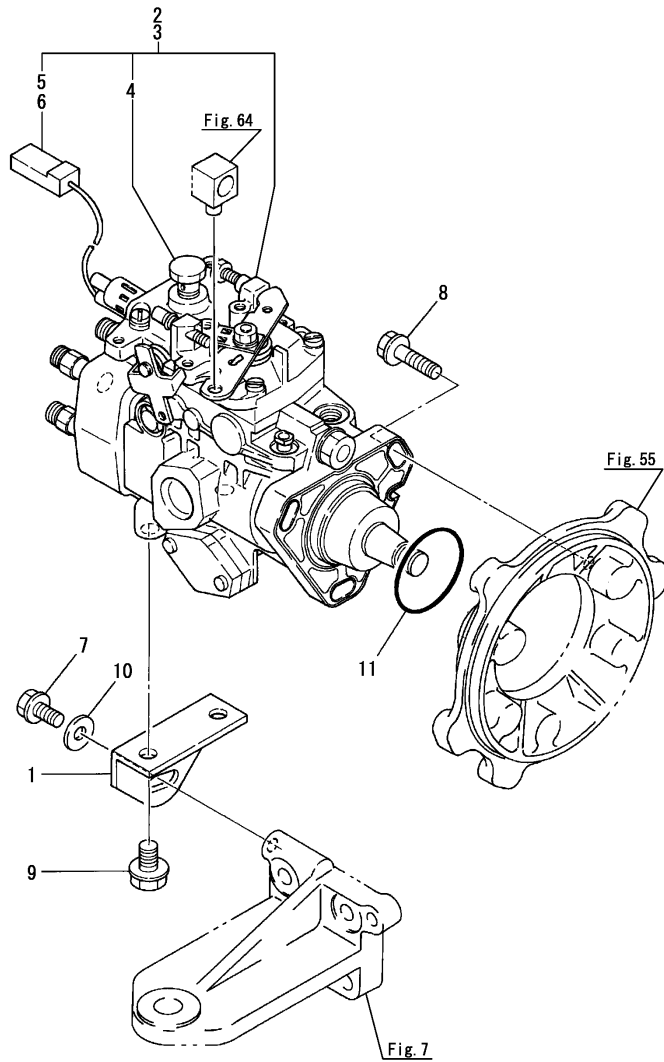


No.	Lev.	Parts No.	Description	Q'ty						I	R
				(A)	(B)	(C)	(D)	(E)	(F)		
1	1	127611-48600	STRAINER	1	1	1	1				
2	1	119171-48610	JOINT, PIPE	2	2	2	2				

Fig.49. FUEL INJECTION PUMP(4LH-TE,HTE)

(A)=4LH-TE
(B)=4LH-HTE
(C)=4LH-DTE

(D)=4LH-STE
(E)=
(F)=

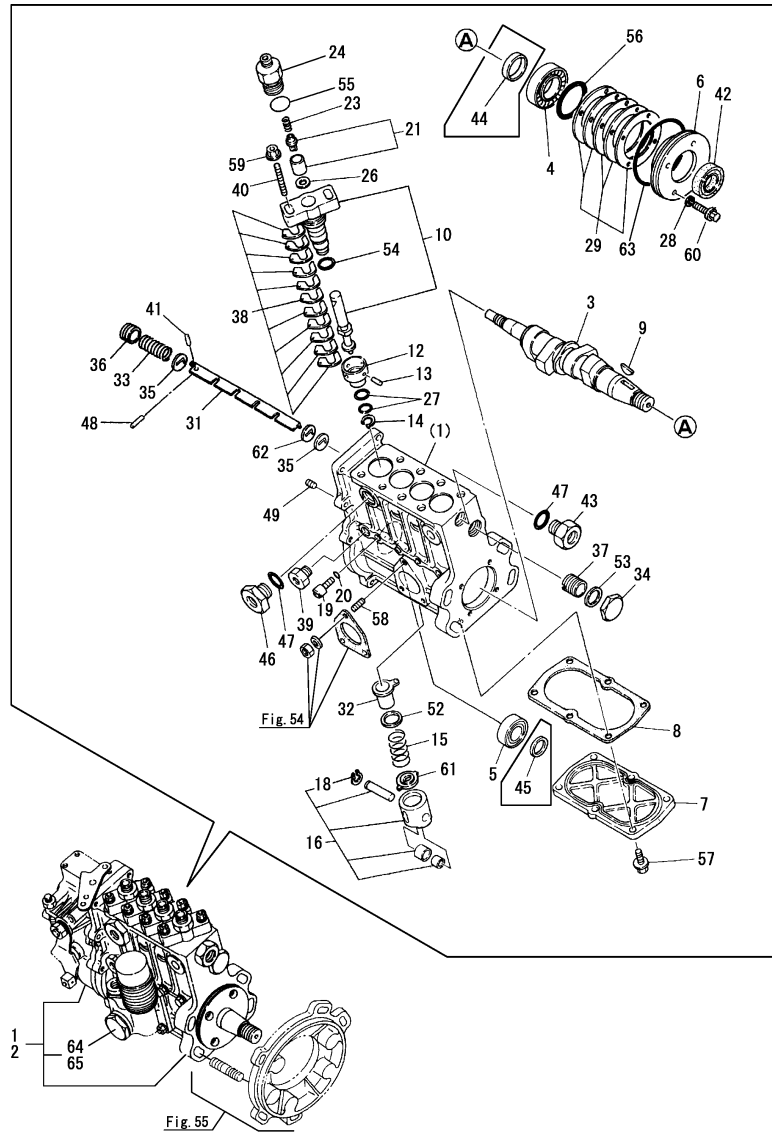


No.	Lev.	Parts No.	Description	Q'ty						I	R
				(A)	(B)	(C)	(D)	(E)	(F)		
1	1	119171-01980	RETAINER, PUMP	1	1						
2	1	119171-51900	PUMP ASSY, INJECTION	1							
3	1	119172-51901	PUMP ASSY, INJECTION			1					
3-1	1	119172-51902	PUMP ASSY, F.INJECT. (B=E21833)			1					N
4	2	119171-59200	BOLT, PIPE JOINT	1	1						
5	2	119171-67200	SOLENOID, MAGNETIC	1	1						
6	2	X1466584820	WIRE	1	1						
7	1	26106-080162	BOLT, M8X 16 PLATED	1	1						
8	1	26106-080302	BOLT, M8X 30 PLATED	3	3						
9	1	26106-100162	BOLT, M10X 16 PLATED	2	2						
10	1	106100-55800	WASHER	1	1						W
11	1	24341-000500	O-RING, 1AS50.0 (A=*1989.04) (B=*1989.04)	1	1						

Fig.50. FUEL INJECTION PUMP(4LH-DTE,ST)

(A)=4LH-TE
(B)=4LH-HTE
(C)=4LH-DTE

(D)=4LH-STE
(E)=
(F)=



No.	Lev.	Parts No.	Description	Qty						I	R	
				(A)	(B)	(C)	(D)	(E)	(F)			
1	1	719173-51300	PUMP ASSY, INJECTION			1					1	
2	1	719175-51300	PUMP ASSY, INJECTION				1				W	1
				(D=FROM 1ST)								
3	2	119187-51030	CAMSHAFT			1						
3-1	2	119175-51030	CAMSHAFT			1						R
				(C=E23724)								
3A	2	119175-51030	CAMSHAFT						1			
4	2	119000-51050	BEARING, HR32005XJ			1	1					
5	2	122710-51050	BEARING, HR30203J			1	1					
6	2	119000-51060	SUPPORT, BEARING A			1	1					
7	2	119100-51080	COVER			1						
7-1	2	119100-51081	COVER			1	1					N
				(C=*1990.08)								
8	2	119100-51090	GASKET			1						
8-1	2	119100-51091	GASKET			1	1					N
				(C=*1990.08)								
9	2	144626-51090	KEY, 5X19			1	1					
10	2	119100-51101	PLUNGER ASSY			4						
10A	2	119593-51100	PLUNGER ASSY				4					
12	3	119000-51150	DEFLECTOR			4						
12-1	3	119000-51151	DEFLECTOR			4	4					F 2
				(C=*1989.12)								
13	3	119000-51430	PIN			4	4					
14	3	22242-000200	RING, 20			4	4					W
				(C=*1989.12)								
15	2	119000-51161	SPRING, PLUNGER			4	4					
16	2	119000-51201	TAPPET ASSY			4						
16A	2	119573-51200	TAPPET ASSY				4					
18	3	119000-51250	CIRCLIP			4	4					
19	2	129155-51270	STOPPER, TAPPET			4	4					
19-1	2	158600-51270	STOPPER, TAPPET			4	4					R
				(C=EXXXXX) (D=EXXXXX)								
20	2	129155-51280	O-RING, S6			4	4					
21	2	128400-51300	VALVE ASSY, DELIVERY			4						
21A	2	119593-51300	VALVE ASSY, DELIVERY				4					
23	2	119000-51330	SPRING, DELIVERY			4	4					
24	2	119187-51341	VALVE ASSY, DELIVERY			4						
24A	2	119175-51340	VALVE ASSY, DELIVERY				4					
26	2	122710-51350	GASKET			4	4					
27	2	119000-51410	O-RING, S18			8	8					
27-1	2	119000-51411	O-RING			8	8					N
				(C=EXXXXX) (D=EXXXXX)								
28	2	22190-060000	WASHER, SEAL 6			4	4					
29	2	119000-51450	SHIM SET, CAMSHAFT			1	1					
31	2	119100-51500	RACK, CONTROL			1	1					
31-1	2	119187-51500	RACK, CONTROL			1	1					N
				(C=*1991.07) (D=*1991.07)								
32	2	119000-51510	SLEEVE, CONTROL			4	4					
32-1	2	119000-51511	SLEEVE, CONTROL			4	4					R
				(C=E24300) (D=E52232)								
33	2	119000-51530	SPRING, RACK			1						

Remarks

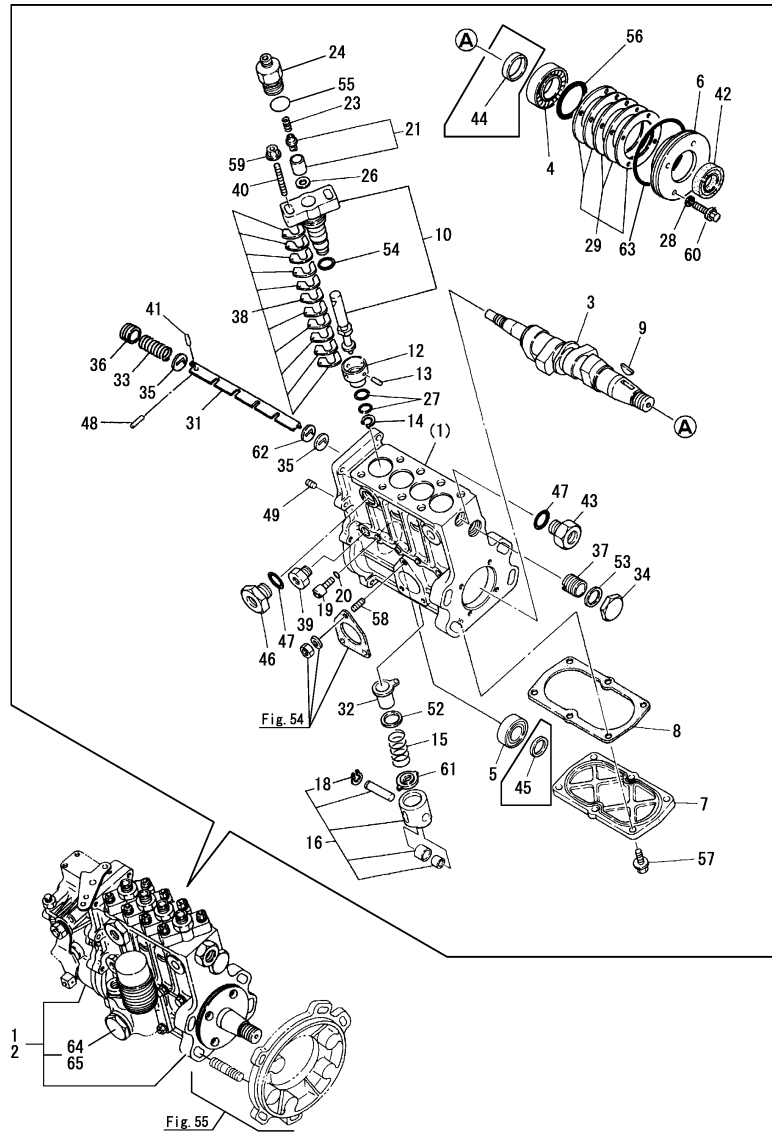
(1)Governor assy & feed pump assy are incorporated in this fuel injection pump assy.

(2)Interchangeable by simultaneous replacement with Ref.No.14.

Fig.50. FUEL INJECTION PUMP(4LH-DTE,ST)

(A)=4LH-TE
(B)=4LH-HTE
(C)=4LH-DTE

(D)=4LH-STE
(E)=
(F)=



No.	Lev.	Parts No.	Description	Q'ty						I	R
				(A)	(B)	(C)	(D)	(E)	(F)		
33A	2	119593-51530	SPRING, RACK				1				
34	2	119000-51550	COVER				1		1		
35	2	119000-51570	GUIDE, RACK				2		2		
36	2	119000-51580	SCREW				1		1		
37	2	119000-51590	SCREW				1		1		
38	2	119000-51650	SHIM SET, ADJUSTING				8		8		
39	2	121850-51700	BUSH				1		1		
40	2	119000-51800	BOLT				8		8		
41	2	22351-02008	PIN, SPRING 2.0X 8				1		1		W
			(C=*1991.06) (D=*1991.06)								
42	2	119000-51900	SEAL, AC1290E0				1		1		
43	2	121952-51900	PLUG				1		1		
44	2	119000-51911	SPACER, CAMSHAFT (C=EXXXXX)				1				Z
45	2	122710-51920	SPACER (C=EXXXXX)				1				Z
46	2	144626-51940	PLUG				1				
46A	2	121952-51900	PLUG						1		
47	2	144626-51950	O-RING, 1016				2		2		
48	2	22351-020012	PIN, SPRING 2.0X12 (C=*1991.06) (D=*1991.06)				1		1		W
49	2	137600-53900	SCREW, M6X6				1		1		
52	2	119000-51170	SEAT, SPRING A				4		4		
53	2	23414-220029	GASKET, 22X1.0				1		1		
54	2	24341-000260	O-RING, 1AS26.0				4		4		
54-1	2	158563-51662	O-RING, 4D S26 (C=EXXXXX) (D=EXXXXX)				4		4		N
55	2	24352-010160	O-RING				4		4		
55-1	2	24356-190160	O-RING, 4D19016 (C=EZZZZZ) (D=EZZZZZ)				4		4		N
55-2	2	24356-190150	O-RING, 4D19015 (C=EZZZZZ) (D=EZZZZZ)				4		4		N
56	2	24341-000500	O-RING, 1AS50.0				1		1		
57	2	26106-060182	BOLT, M6X 18 PLATED				6		6		
58	2	26216-060162	STUD, M6X 16				3		3		
58-1	2	129155-51020	STUD (C=EXXXXX) (D=EXXXXX)				3		3		N
59	2	26366-080002	NUT, M8				8		8		
60	2	26106-060202	BOLT, M6X 20 PLATED				4		4		
60-1	2	119175-51070	BOLT, M6X20 (C=EXXXXX) (D=E51468)				4		4		N
61	2	119000-51181	SEAT, SPRING B				4		4		
62	2	119593-51520	WASHER (C=*1991.06)				1		1		W
63	2	124410-51960	O-RING (C=EXXXXX) (D=EXXXXX)				1		1		W
64	2	119000-52000	PUMP ASSY, FUEL FEED				1				
65	2	119593-52000	PUMP ASSY, FUEL FEED						1		

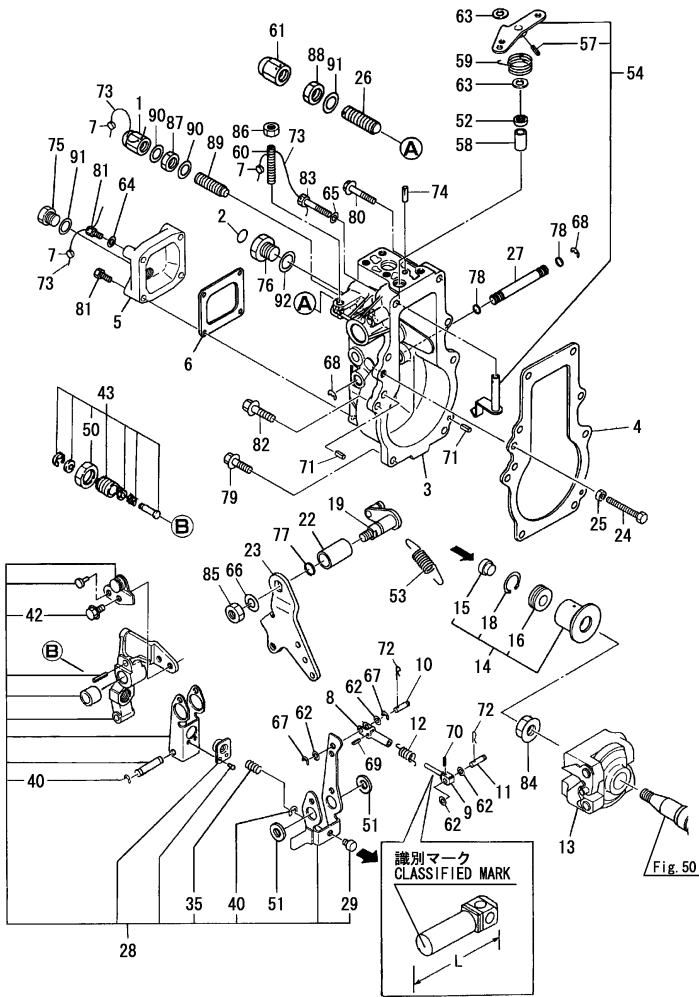
Remarks

- (1)Governor assy & feed pump assy are incorporated in this fuel injection pump assy.
- (2)Interchangeable by simultaneous replacement with Ref.No.14.

Fig.51. GOVERNOR(4LH-DTE)(UP TO EXXXXX)

(A)=4LH-TE
(B)=4LH-HTE
(C)=4LH-DTE

(D)=4LH-STE
(E)=
(F)=



No.	Lev.	Parts No.	Description	Q'ty						I	R
				(A)	(B)	(C)	(D)	(E)	(F)		
1	1	152623-51560	NUT			1					
2	1	124610-51970	LABEL			1					
3	1	119000-61011	CASE, GOVERNOR (C=EXXXXX)			1					Z
4	1	119000-61050	GASKET			1					
4-1	1	119000-61051	GASKET (C=*1990.09)			1					N
5	1	119187-61071	COVER, GOVERNOR CASE			1					
6	1	120323-61070	GASKET			1					
7	1	135210-61090	LEAD			3					
8	1	119000-61120	LINK			1					
9	1	119000-61090	LINK, MARK-A L=41			1					1
9A	1	119000-61100	LINK, MARK-B L=43			1					1
9B	1	119000-61110	LINK, MARK-4 L=45			1					1
9C	1	119000-61140	LINK, MARK-1 L=40			1					1
9D	1	119000-61150	LINK, MARK-2 L=42			1					1
9E	1	119000-61160	LINK, MARK-3 L=44			1					1
10	1	119000-61170	PIN, LINK			1					
11	1	119000-61180	PIN, LINK			1					
12	1	119187-61190	SPRING			1					
13	1	119173-61200	WEIGHT ASSY,GOVERNOR			1					
14	1	119187-61300	SLEEVE ASSY			1					
15	2	119000-61310	SHIFTER			1					2
15A	2	119192-61310	SHIFTER			1					2
15B	2	119192-61320	SHIFTER			1					2
15C	2	119192-61330	SHIFTER			1					
16	2	119000-61320	BEARING, THRUST			1					
18	2	22262-000260	RING, R-26			1					
19	1	119000-61400	SHAFT ASSY			1					
22	1	119000-61430	BUSH			1					
23	1	119187-61440	LEVER, CONTROL			1					
24	1	129470-61450	BOLT, LIMITER			1					
25	1	119000-61470	NUT, M6			1					
26	1	120323-61470	BOLT, CONTROL			1					
27	1	119000-61490	SHAFT			1					
28	1	119187-61500	LEVER ASSY, GOVERNOR			1					
29	2	119187-61310	SHIFTER			1					
35	2	119187-61612	SPRING, FUEL CONTROL			1					
40	2	22272-000040	RING, E- 4			5					
42	2	26106-060122	BOLT, M6X 12 PLATED			1					
43	1	119187-61551	ANGLEICH ASSY			1					
50	2	124616-61580	NUT, LOCK			1					
51	1	119000-61630	SHIM SET			1					
52	1	148616-61650	SEAL, VC081404			1					
53	1	120323-61710	SPRING, GOVERNOR			1					
54	1	119100-61771	LEVER ASSY, STOP			1					
57	2	22351-030016	PIN, SPRING 3.0X16			1					
58	1	119000-61841	BUSH			1					
59	1	119100-61860	SPRING, RETURN			1					
60	1	121855-61910	BOLT, LIMITER			1					
61	1	129100-61930	NUT, CAP			1					

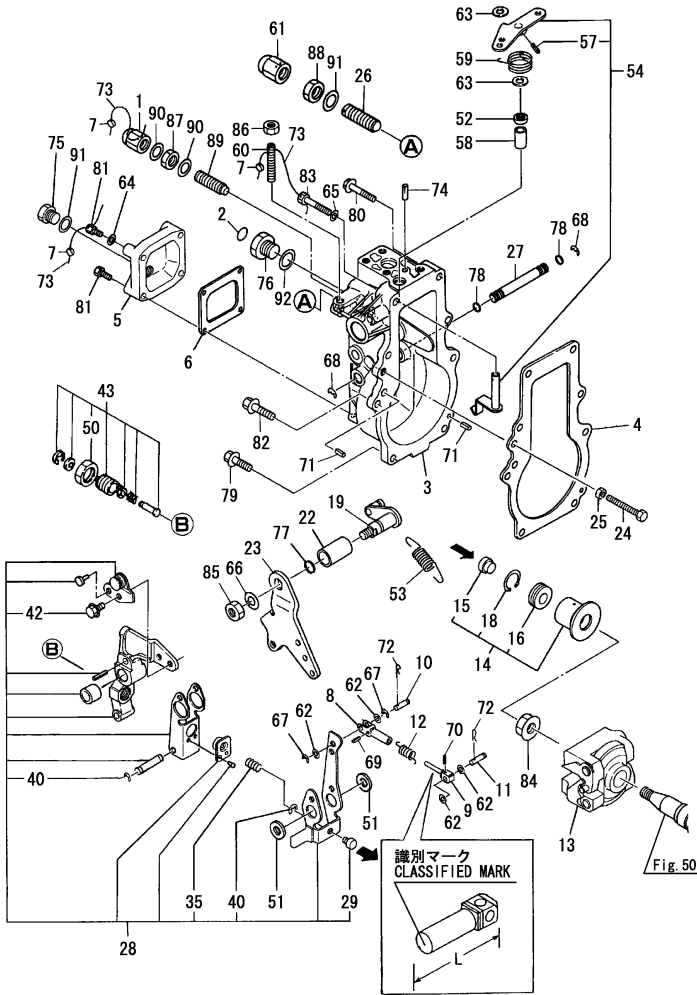
Remarks

- (1) Selective parts: certain the classification mark, then place your order. (Ref. to illustration)
- (2) Selective parts.

Fig.51. GOVERNOR(4LH-DTE)(UP TO EXXXXX)

(A)=4LH-TE
(B)=4LH-HTE
(C)=4LH-DTE

(D)=4LH-STE
(E)=
(F)=



No.	Lev.	Parts No.	Description	Qty						I	R
				(A)	(B)	(C)	(D)	(E)	(F)		
62	1	22117-050000	WASHER, 5			4					
63	1	22137-080000	WASHER, 8			2					
64	1	22217-050000	WASHER, SPRING 5			1					
65	1	22217-060000	WASHER, SPRING 6			2					
66	1	22217-100000	WASHER, SPRING 10			1					
67	1	22272-000040	RING, E- 4			2					
68	1	22272-000080	RING, E- 8			2					
69	1	22351-030016	PIN, SPRING 3.0X16			1					
70	1	22351-030025	PIN, SPRING 3.0X25			1					
71	1	22351-050020	PIN, SPRING 5.0X20			2					
72	1	22372-050000	PIN, SNAP 5			2					
73	1	22451-100000	WIRE, 1.0			2					
74	1	22492-060362	PIN, B6X36			1					
75	1	23887-120002	PLUG, 12			1					
76	1	23887-160002	PLUG, 16			1					
77	1	24311-000110	O-RING, 1AP11.0			1					
78	1	24341-000080	O-RING, 1AS8.0			2					
79	1	26106-060222	BOLT, M6X 22 PLATED			4					
80	1	26106-060352	BOLT, M6X 35 PLATED			1					
81	1	26116-050302	BOLT, M5X 30 PLATED			4					
82	1	26116-060256	BOLT, M6X 25 PLATED			1					
83	1	26116-060356	BOLT, M6X 35 PLATED			1					
84	1	26376-120002	NUT, M12			1					
85	1	26736-100002	NUT, M10			1					
86	1	26757-080002	NUT, LOCK M8			1					
87	1	26757-080002	NUT, LOCK M8			1					
88	1	26777-120002	NUT, LOCK M12			1					
89	1	26911-080322	SCREW, M8X32			1					
90	1	43400-500420	SEAL WASHER 8			2					
91	1	43400-500450	SEAL WASHER 12S			2					
92	1	43400-500500	SEAL WASHER 16			1					

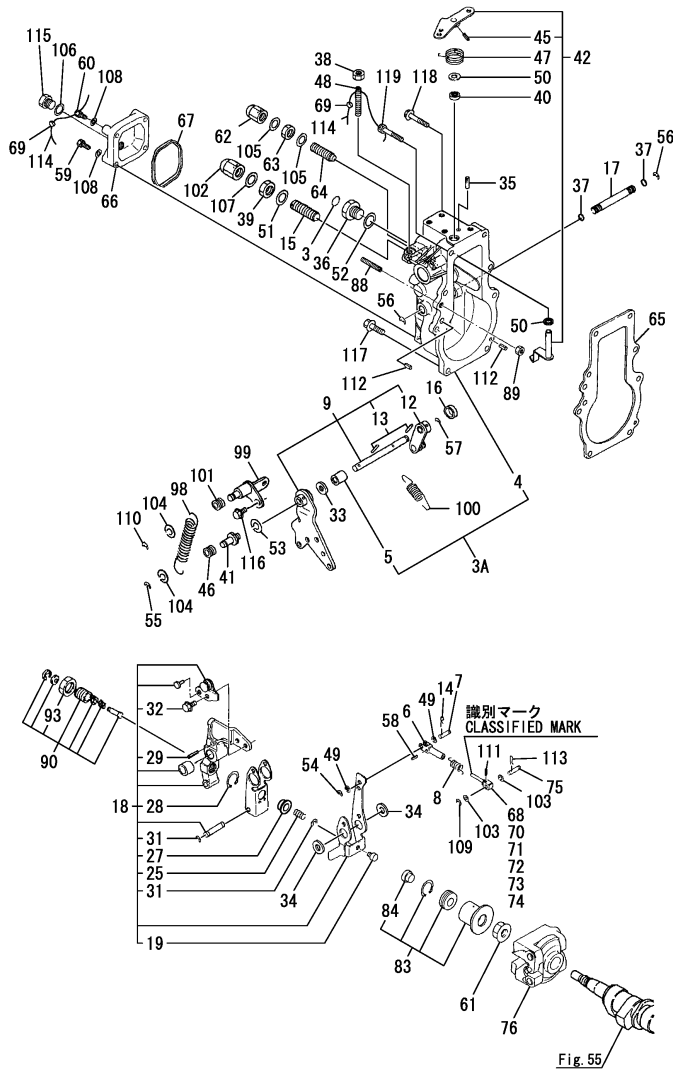
Remarks

- (1) Selective parts: certain the classification mark, then place your order. (Ref. to illustration)
- (2) Selective parts.

Fig.52. GOVERNOR(4LH-DTE)(FROM EXXXXX)

(A)=4LH-TE
(B)=4LH-HTE
(C)=4LH-DTE

(D)=4LH-STE
(E)=
(F)=



No.	Lev.	Parts No.	Description	Q'ty						I	R
				(A)	(B)	(C)	(D)	(E)	(F)		
3	3	124610-51970	LABEL			1					
3A	3	119173-61030	CASE, GOVERNOR (C=EXXXXX)			1					W
4	4	119173-61010	CASE, GOVERNOR (C=EXXXXX)			1					W
5	4	120323-61430	BUSH			2					
6	3	119000-61120	LINK			1					
7	3	119000-61170	PIN, LINK			1					
8	3	119187-61190	SPRING			1					
9	3	119173-61400	LEVER ASSY, CONTROL			1					
12	4	119173-61440	LEVER, CONTROL			1					
13	4	22322-030220	PIN, TAPER 3X22			2					
14	3	22417-120120	PIN, COTTER 1.2X12			1					
15	3	120323-61470	BOLT, CONTROL			1					
16	3	129795-61470	PLUG, 20			1					
17	3	119000-61490	SHAFT			1					
18	3	119187-61500	LEVER ASSY, GOVERNOR			1					
19	4	119187-61310	SHIFTER			1					
25	4	119187-61612	SPRING, FUEL CONTROL			1					
27	4	119187-61911	RETAINER, SPRING			1					
28	4	119187-61920	CIRCLIP			1					
29	4	119187-61930	PIN			1					
31	4	22272-000040	RING, E- 4			5					
32	4	26106-060122	BOLT, M6X 12 PLATED			1					
33	3	120320-61540	SEAL, SC102004			1					
34	3	119000-61630	SHIM SET			1					
35	3	22492-060362	PIN, B6X36			1					
36	3	23887-160002	PLUG, 16			1					
37	3	24341-000080	O-RING, 1AS8.0			2					
38	3	26756-080002	NUT, LOCK M8			1					
39	3	26777-120002	NUT, LOCK M12			1					
40	3	148616-61650	SEAL, VC081404			1					
41	3	121850-61670	BOLT			1					
42	3	119100-61771	LEVER ASSY, STOP			1					
45	4	22351-030016	PIN, SPRING 3.0X16			1					
46	3	144626-61781	PIECE			1					
47	3	119100-61860	SPRING, RETURN			1					
48	3	121855-61910	BOLT, LIMITER			1					
49	3	22117-050000	WASHER, 5			2					
50	3	22137-080000	WASHER, 8			2					
51	3	22190-120002	WASHER, SEAL 12			2					
52	3	22190-160002	WASHER, SEAL 16			1					
53	3	22217-080000	WASHER, SPRING 8			1					
54	3	22272-000040	RING, E- 4			1					
55	3	22272-000060	RING, E- 6			1					
55-1	3	22276-000060	RING, E- 6 (C=EXXXXX)			1					R
56	3	22272-000080	RING, E- 8			2					
57	3	22272-000080	RING, E- 8			1					
58	3	22351-030016	PIN, SPRING 3.0X16			1					
59	2	26116-050302	BOLT, M5X 30 PLATED			3					

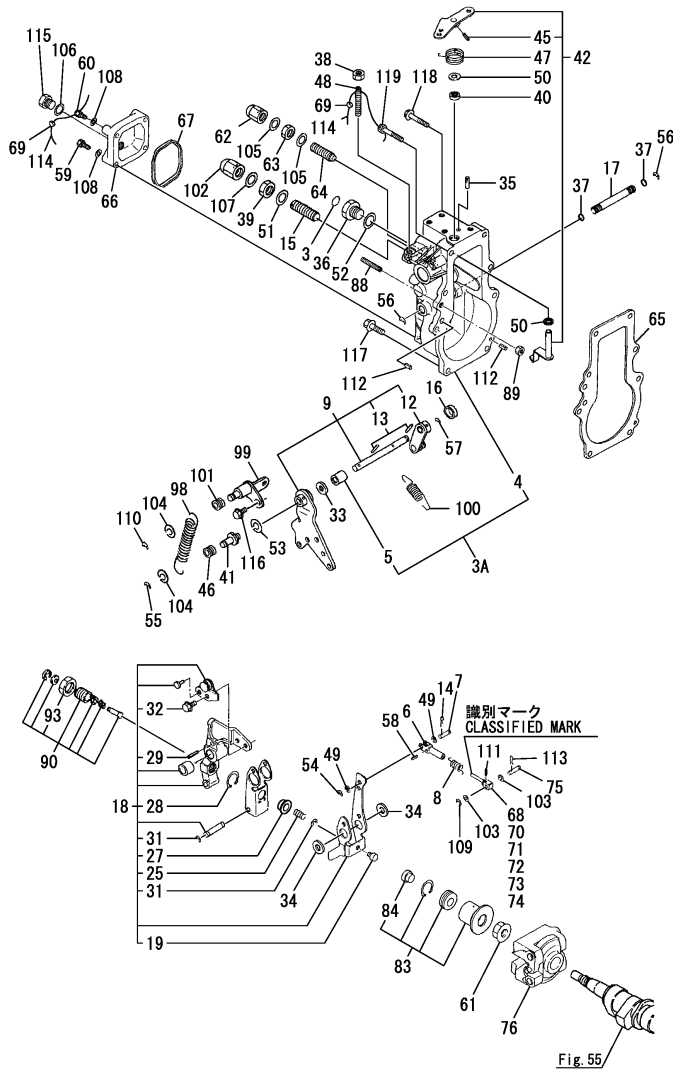
Remarks

- (1) Selective parts: certain the classification mark, then place your order. (Ref. to illustration)
- (2) Selective parts.

Fig.52. GOVERNOR(4LH-DTE)(FROM EXXXXX)

(A)=4LH-TE
(B)=4LH-HTE
(C)=4LH-DTE

(D)=4LH-STE
(E)=
(F)=



No.	Lev.	Parts No.	Description	Q'ty						I	R
				(A)	(B)	(C)	(D)	(E)	(F)		
60	2	26116-050306	BOLT, M5X 30 PLATED			1					
61	2	26376-120002	NUT, M12			1					
62	2	26667-080002	NUT, CAP M8			1					
62-1	2	152623-51560	NUT (C=EXXXXX)			1					R
63	2	26756-080002	NUT, LOCK M8			1					
64	2	26911-080322	SCREW, M8X32			1					
65	2	119000-61052	GASKET			1					
66	2	119187-61071	COVER, GOVERNOR CASE			1					
67	2	120323-61070	GASKET			1					
68	2	119000-61090	LINK, MARK-A L=41			1					1
69	2	135210-61090	LEAD			2					
69-1	2	114780-61090	TIN (C=EXXXXX)			2					N
70	2	119000-61100	LINK, MARK-B L=43			1					1
71	2	119000-61110	LINK, MARK-4 L=45			1					1
72	2	119000-61140	LINK, MARK-1 L=40			1					1
73	2	119000-61150	LINK, MARK-2 L=42			1					1
74	2	119000-61160	LINK, MARK-3 L=44			1					1
75	2	119000-61180	PIN, LINK			1					
76	2	119173-61200	WEIGHT ASSY,GOVERNOR			1					
83	2	119187-61300	SLEEVE ASSY			1					
84	3	119000-61310	SHIFTER			1					2
84A	3	119192-61310	SHIFTER			1					2
84B	3	119593-61310	SHIFTER			1					2
84C	3	119192-61320	SHIFTER			1					2
84D	3	119192-61330	SHIFTER			1					2
88	2	129155-61460	BOLT, IDLE			1					
89	2	119000-61470	NUT, M6			1					
90	2	119187-61551	ANGLEICH ASSY			1					
93	3	124616-61580	NUT, LOCK			1					
98	2	119173-61651	SPRING			1					
99	2	119173-61660	SUPPORT, SPRING			1					
100	2	120323-61710	SPRING, GOVERNOR			1					
101	2	144626-61781	PIECE			1					
102	2	129100-61930	NUT, CAP			1					
103	2	22117-050000	WASHER, 5			2					
104	2	22117-080000	WASHER, 8			2					
105	2	22190-080002	WASHER, SEAL 6			2					
106	2	22190-120002	WASHER, SEAL 12			1					
107	2	22190-120002	WASHER, SEAL 12			1					
108	2	22217-050000	WASHER, SPRING 5			4					
109	2	22272-000040	RING, E- 4			1					
110	2	22272-000060	RING, E- 6			1					
110-1	2	22276-000060	RING, E- 6 (C=EXXXXX)			1					R
111	2	22351-030025	PIN, SPRING 3.0X25			1					
112	2	22351-050020	PIN, SPRING 5.0X20			2					
113	2	22372-050000	PIN, SNAP 5			1					
114	2	22453-060000	WIRE, 0.6			2					
114-1	2	120325-61100	WIRE, 1.0			2					N

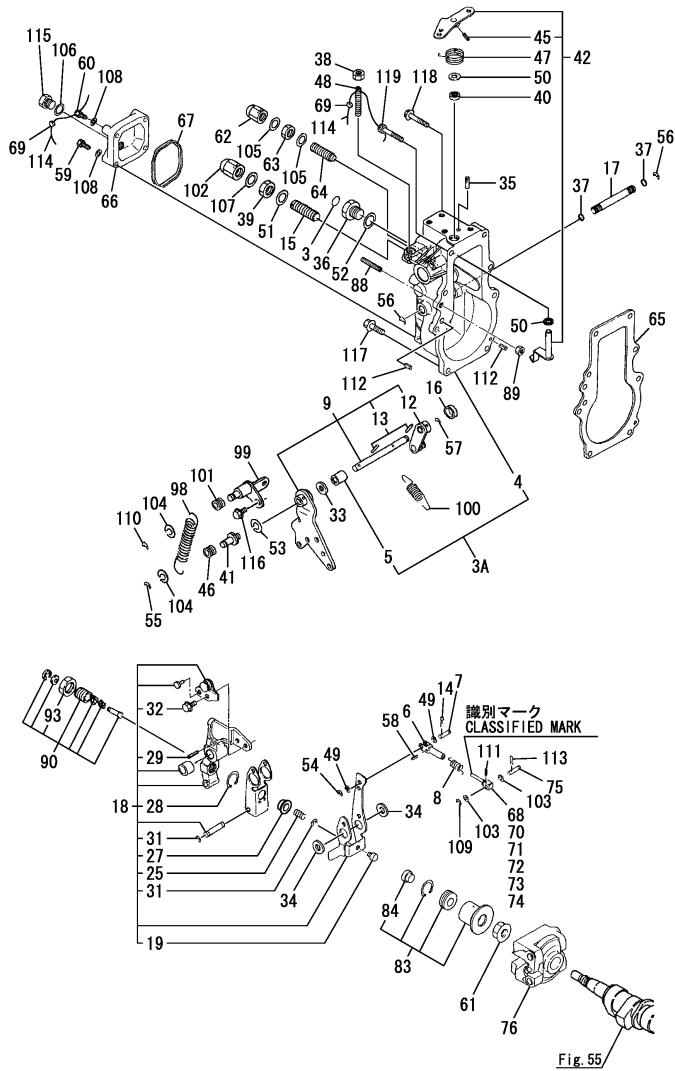
Remarks

- (1) Selective parts: certain the classification mark, then place your order. (Ref. to illustration)
- (2) Selective parts.

Fig.52. GOVERNOR(4LH-DTE)(FROM EXXXXX)

(A)=4LH-TE
(B)=4LH-HTE
(C)=4LH-DTE

(D)=4LH-STE
(E)=
(F)=

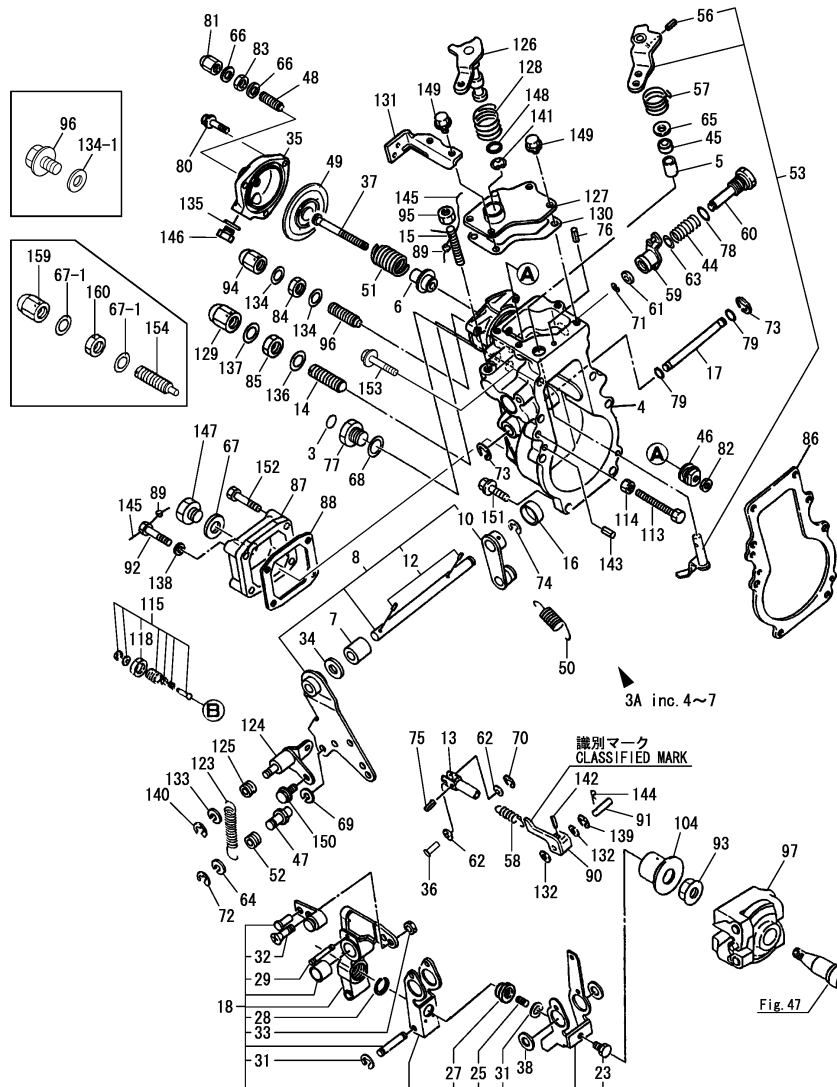


No.	Lev.	Parts No.	Description	Q'ty						I	R
				(A)	(B)	(C)	(D)	(E)	(F)		
(C=EXXXXX)											
115	2	23887-120002	PLUG, 12			1					
116	2	26106-060122	BOLT, M6X 12 PLATED			1					
117	2	26106-060222	BOLT, M6X 22 PLATED			6					
118	2	26106-060352	BOLT, M6X 35 PLATED			1					
119	2	26106-060402	BOLT, M6X 40 PLATED			1					

Remarks

- (1) Selective parts: certain the classification mark, then place your order. (Ref. to illustration)
- (2) Selective parts.

Fig.53. GOVERNOR(4LH-STE)



(A)=4LH-TE
(B)=4LH-HTE
(C)=4LH-DTE

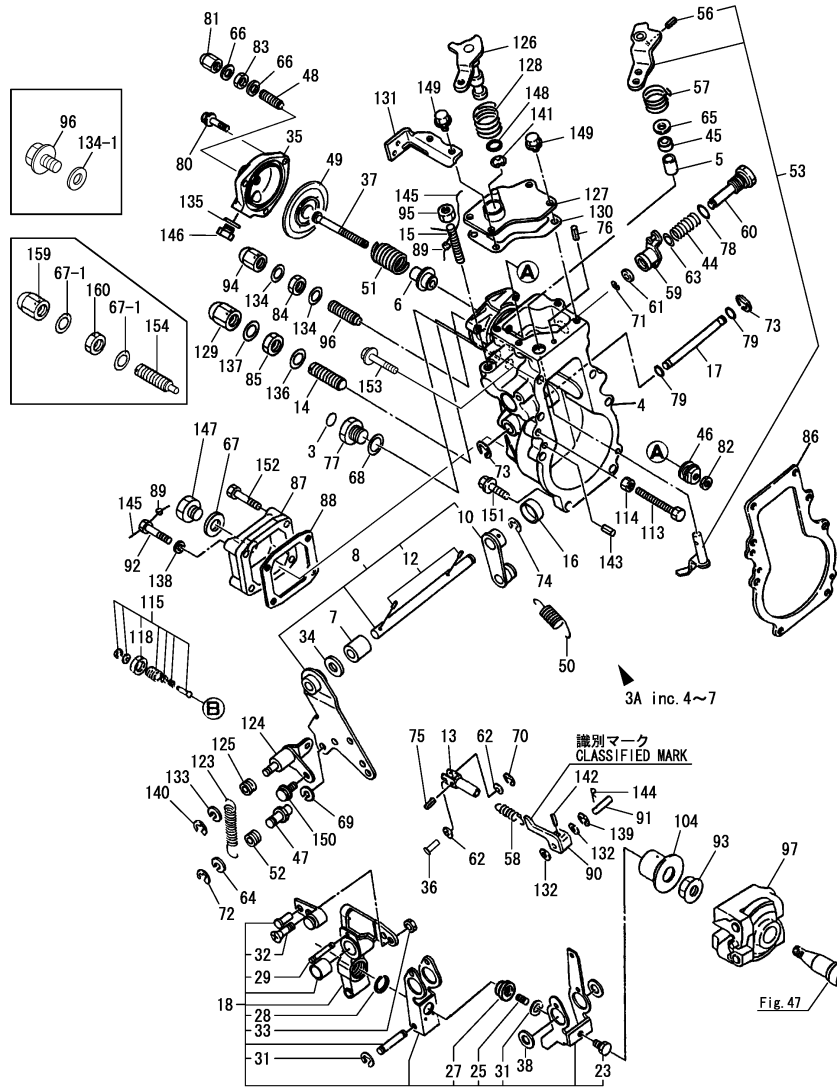
(D)=4LH-STE
(E)=
(F)=

No.	Lev.	Parts No.	Description	Q'ty						I	R
				(A)	(B)	(C)	(D)	(E)	(F)		
3	3	124610-51970	LABEL				1				
3A	3	119573-61030	CASE, GOVERNOR				1				W
(D=EXXXXX)											
4	4	119573-61010	CASE, GOVERNOR				1				
5	4	127695-61840	BUSH				1				
6	4	129595-61610	BUSH				1				
7	4	120323-61430	BUSH				2				
8	3	119173-61400	LEVER ASSY, CONTROL				1				
10	4	120323-61420	LEVER, GOVERNOR				1				
12	4	22322-030220	PIN, TAPER 3X22				2				
13	3	119000-61120	LINK				1				
14	3	127695-61450	BOLT, CONTROL				1				
15	3	121850-61470	BOLT, LIMITER				1				
16	3	129795-61470	PLUG, 20				1				
17	3	119000-61490	SHAFT				1				
18	3	119174-61500	LEVER ASSY, GOVERNOR				1				
23	4	127495-61540	SHIFTER				1				
25	4	120130-61600	SPRING, FUEL CONTROL				1				
27	4	119187-61911	RETAINER, SPRING				1				
28	4	119187-61920	CIRCLIP				1				
29	4	119187-61930	PIN				1				
31	4	22272-000040	RING, E- 4				5				
32	4	26577-060162	SCREW, M6X16				1				
33	4	26716-060002	NUT, M6				1				
34	3	120320-61540	SEAL, SC102004				1				
35	3	129595-61600	CASE				1				
36	3	119595-61170	PIN, LINK				1				
37	3	129595-61620	ROD, SLIDER				1				
38	3	119000-61630	SHIM SET				1				
44	3	119593-61650	SPRING				1				
45	3	148616-61650	SEAL, VC081404				1				
46	3	127495-61660	RING				1				
47	3	121850-61670	BOLT				1				
48	3	129595-61670	BOLT, ADJUSTER				1				
48-1	3	129595-61671	BOLT, ADJUSTING				1				N
(D=EXXXXX)											
49	3	129595-61680	DIAPHRAGM				1				
49-1	3	129595-61681	DIAPHRAGM ASSY				1				N
(D=EXXXXX)											
50	3	119588-61700	SPRING, GOVERNOR				1				
51	3	119593-61760	SPRING, DIAPHRAGM				1				
52	3	144626-61781	PIECE				1				
53	3	119593-61800	LEVER ASSY, STOP				1				
56	4	22351-030016	PIN, SPRING 3.0X16				1				
57	3	119593-61830	SPRING, RETURN				1				
58	3	119187-61190	SPRING				1				
59	3	119594-61850	LEVER				1				
60	3	119593-61860	SHAFT				1				
61	3	119593-61890	SPACER				1				
62	3	22117-050000	WASHER, 5				2				
63	3	22117-080000	WASHER, 8				1				

Remarks

- (1)Pitch 51
- (2)Pitch 52
- (3)Pitch 53
- (4)Pitch 51.5
- (5)Pitch 52.5
- (6)Pitch 53.5

Fig.53. GOVERNOR(4LH-STE)



(A)=4LH-TE
(B)=4LH-HTE
(C)=4LH-DTE

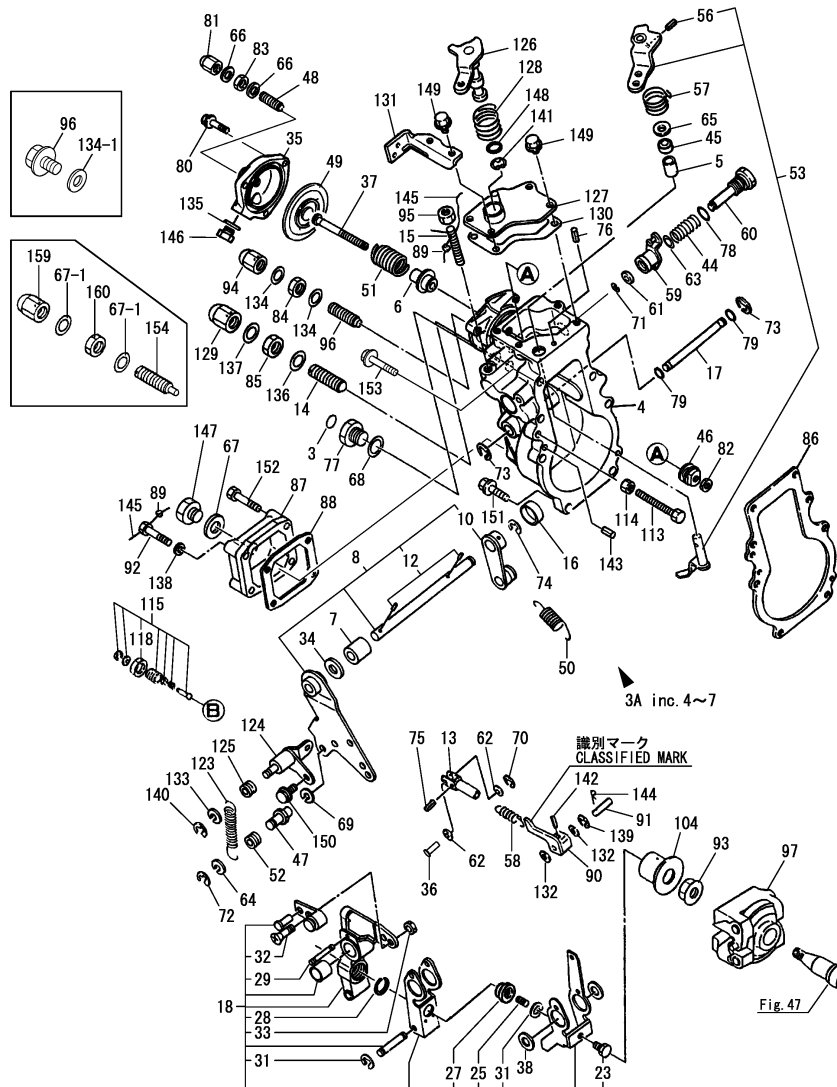
(D)=4LH-STE
(E)=
(F)=

No.	Lev.	Parts No.	Description	Q'ty						I	R
				(A)	(B)	(C)	(D)	(E)	(F)		
64	3	22117-080000	WASHER, 8				1				
65	3	22137-080000	WASHER, 8				1				
66	3	22190-080000	WASHER, SEAL 8				2				
66-1	3	22190-080002	WASHER, SEAL 6				2				N
			(D=EXXXXX)								
67	3	22190-120002	WASHER, SEAL 12				1				
67-1	3	22190-120002	WASHER, SEAL 12				2				K
			(D=EXXXXX)								
68	3	22190-160002	WASHER, SEAL 16				1				
69	3	22217-080000	WASHER, SPRING 8				1				
70	3	22272-000040	RING, E- 4				1				
71	3	22272-000060	RING, E- 6				1				
72	3	22272-000060	RING, E- 6				1				
72-1	3	22276-000060	RING, E- 6				1				R
			(D=EXXXXX)								
73	3	22272-000080	RING, E- 8				2				
74	3	22272-000080	RING, E- 8				1				
75	3	22351-030016	PIN, SPRING 3.0X16				1				
76	3	22492-060362	PIN, B6X36				1				
77	3	23887-160002	PLUG, 16				1				
78	3	24311-000120	O-RING, 1AP12.0				1				
79	3	24341-000080	O-RING, 1AS8.0				2				
80	3	26106-060182	BOLT, M6X 18 PLATED				3				
81	3	26667-080002	NUT, CAP M8				1				
82	3	26756-060002	NUT, LOCK M6				1				
82-1	3	26716-060002	NUT, M6				1				R
			(D=EXXXXX)								
83	3	26756-080002	NUT, LOCK M8				1				
84	3	26756-080002	NUT, LOCK M8				1				Z
			(D=EXXXXX)								
85	3	26777-120002	NUT, LOCK M12				1				
86-1	2	119000-61052	GASKET				1				R
87	2	119187-61071	COVER, GOVERNOR CASE				1				
88	2	127695-61071	GASKET				1				
89	2	135210-61090	LEAD				3				
89-1	2	114780-61090	TIN				3				N
			(D=EXXXXX)								
90	2	119593-61100	LINK				1				1
90A	2	119593-61110	LINK				1				2
90B	2	119593-61120	LINK				1				3
90C	2	119593-61130	LINK, 10.5				1				4
90D	2	119593-61140	LINK, 11.5				1				5
90E	2	119593-61150	LINK, 12.5				1				6
91	2	119000-61180	PIN, LINK				1				
92	2	26116-060306	BOLT, M6X 30 PLATED				1				
93	2	26376-120002	NUT, M12				1				
94	2	26667-080002	NUT, CAP M8				1				Z
			(D=EXXXXX)								
95	2	26756-080002	NUT, LOCK M8				1				
96	2	26911-080402	SCREW, M8X40				1				
96-1	2	26106-080122	BOLT, M8X 12 PLATED				1				R

Remarks

- (1)Pitch 51
- (2)Pitch 52
- (3)Pitch 53
- (4)Pitch 51.5
- (5)Pitch 52.5
- (6)Pitch 53.5

Fig.53. GOVERNOR(4LH-STE)



(A)=4LH-TE
(B)=4LH-HTE
(C)=4LH-DTE

(D)=4LH-STE
(E)=
(F)=

No.	Lev.	Parts No.	Description	Q'ty						I	R
				(A)	(B)	(C)	(D)	(E)	(F)		
			(D=EXXXXX)								
97	2	119173-61200	WEIGHT ASSY,GOVERNOR				1				
104	2	119187-61300	SLEEVE ASSY				1				
113	2	171353-61460	BOLT, IDLE				1				
114	2	119000-61470	NUT, M6				1				
115	2	119174-61550	ANGLEICH ASSY				1				
118	3	124616-61580	NUT, LOCK				1				
123	2	119173-61651	SPRING				1				
124	2	119173-61660	SUPPORT, SPRING				1				
125	2	144626-61781	PIECE				1				
126	2	119593-61900	LEVER				1				
127	2	119593-61910	COVER				1				
128	2	119593-61920	SPRING, RETURN				1				
129	2	129100-61930	NUT, CAP				1				
130	2	127695-61961	GASKET				1				
131	2	119593-61990	SUPPORT, WIRE				1				
132	2	22117-050000	WASHER, 5				2				
133	2	22117-080000	WASHER, 8				1				
134	2	22190-080002	WASHER, SEAL 6				2				
134-1	2	22190-080002	WASHER, SEAL 6				1				K
			(D=EXXXXX)								
135	2	22190-100002	WASHER, SEAL 10				1				
136	2	22190-120002	WASHER, SEAL 12				1				
137	2	22190-120002	WASHER, SEAL 12				1				
138	2	22217-060000	WASHER, SPRING 6				1				
139	2	22272-000040	RING, E- 4				1				
140	2	22272-000060	RING, E- 6				1				
140-1	2	22276-000060	RING, E- 6				1				R
			(D=EXXXXX)								
141	2	22272-000100	RING, E-10				1				
141-1	2	22276-000100	RING, E-10				1				R
			(D=EXXXXX)								
142	2	22351-030025	PIN, SPRING 3.0X25				1				
143	2	22351-050020	PIN, SPRING 5.0X20				2				
144	2	22372-050000	PIN, SNAP 5				1				
145	2	22453-060000	WIRE, 0.6				3				
145-1	2	120325-61100	WIRE, 1.0				3				N
			(D=EXXXXX)								
146	2	23887-100002	PLUG, 10				1				
147	2	23887-120002	PLUG, 12				1				
148	2	24311-000110	O-RING, 1AP11.0				1				
149	2	26106-060122	BOLT, M6X 12 PLATED				4				
150	2	26106-060122	BOLT, M6X 12 PLATED				1				
151	2	26106-060222	BOLT, M6X 22 PLATED				6				
152	2	26106-060302	BOLT, M6X 30 PLATED				3				
153	2	26106-060402	BOLT, M6X 40 PLATED				1				
154	2	127695-61551	IDLE ASSY				1				W
			(D=EXXXXX)								
159	2	129100-61930	NUT, CAP				1				W
			(D=EXXXXX)								
160	2	26777-120002	NUT, LOCK M12				1				W

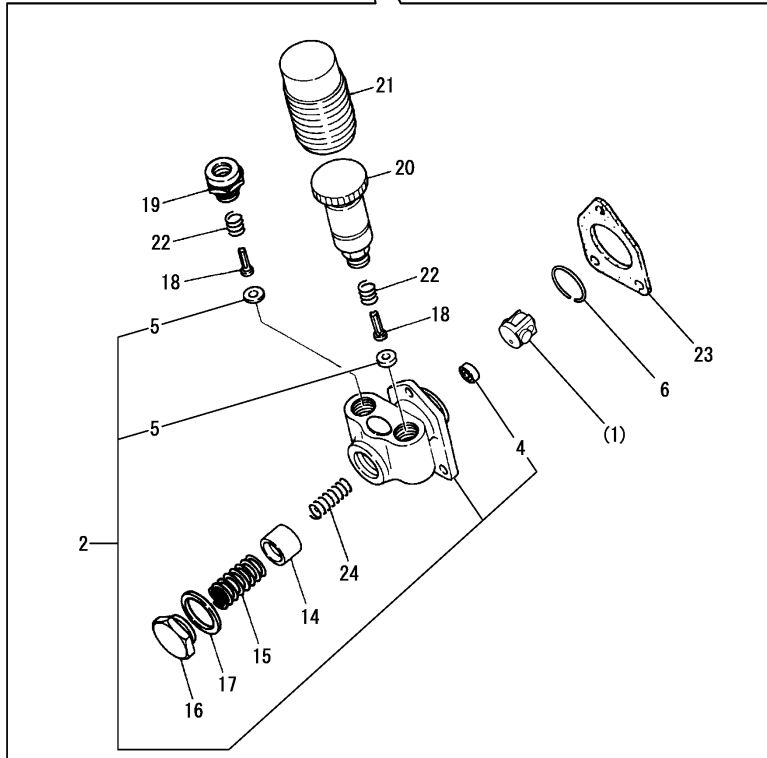
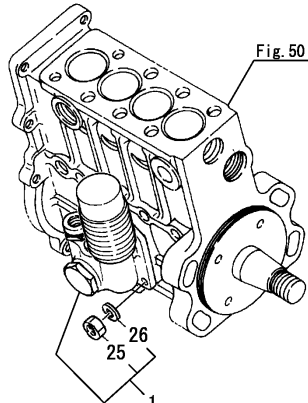
Remarks

- (1)Pitch 51
- (2)Pitch 52
- (3)Pitch 53
- (4)Pitch 51.5
- (5)Pitch 52.5
- (6)Pitch 53.5

Fig.54. FUEL FEED PUMP

(A)=4LH-TE
(B)=4LH-HTE
(C)=4LH-DTE

(D)=4LH-STE
(E)=
(F)=

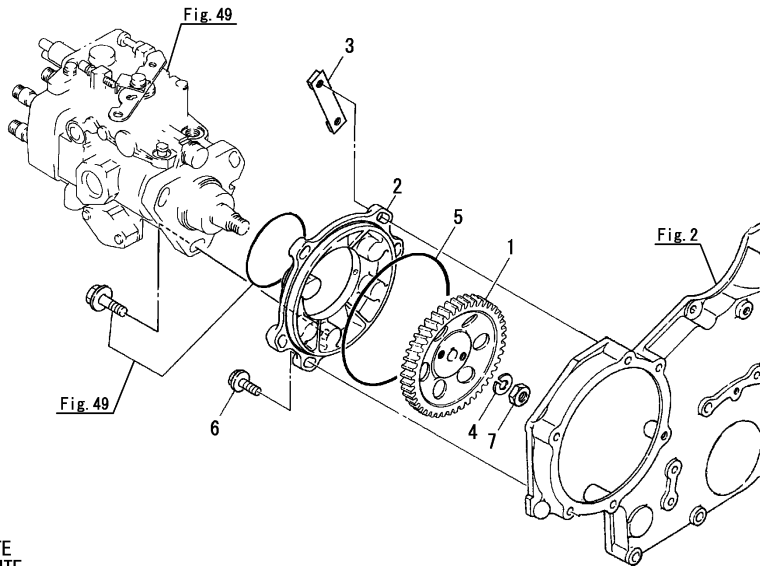


No.	Lev.	Parts No.	Description	Qty						I	R
				(A)	(B)	(C)	(D)	(E)	(F)		
1	1	119000-52000	PUMP ASSY, FUEL FEED			1					
1A	1	119593-52000	PUMP ASSY, FUEL FEED				1				
2	2	121820-52020	BODY ASSY, PUMP			1	1				
4	3	121820-52040	SEAL, OIL			1	1				
5	3	121820-52050	GASKET			2	2				
6	2	121820-52070	PIN			1	1				
14	2	121820-52170	PISTON			1					
14A	2	135200-52170	PISTON				1				
15	2	121820-52180	SPRING, VALVE			1					
15A	2	119593-52180	SPRING, VALVE					1			
16	2	121820-52190	RETAINER, SPRING			1					
16A	2	119588-52190	RETAINER, SPRING					1			
17	2	121820-52200	GASKET, 25			1	1				
18	2	121820-52210	VALVE			2	2				
19	2	121820-52230	RETAINER, SPRING			1	1				
20	2	121820-52300	PUMP, PRIMING			1	1				
21	2	121820-52400	COVER			1	1				Z
			(C=E23619) (D=E51549)								
22	2	121820-52510	SPRING, VALVE			2	2				
23	2	124410-51860	GASKET			1	1				
23-1	2	124410-51861	GASKET			1	1				N
			(C=*1992.09) (D=*1992.09)								
24	2	119588-52180	SPRING, VALVE					1			
25	2	26716-060002	NUT, M6			3	3				
26	2	22217-060000	WASHER, SPRING 6			3	3				

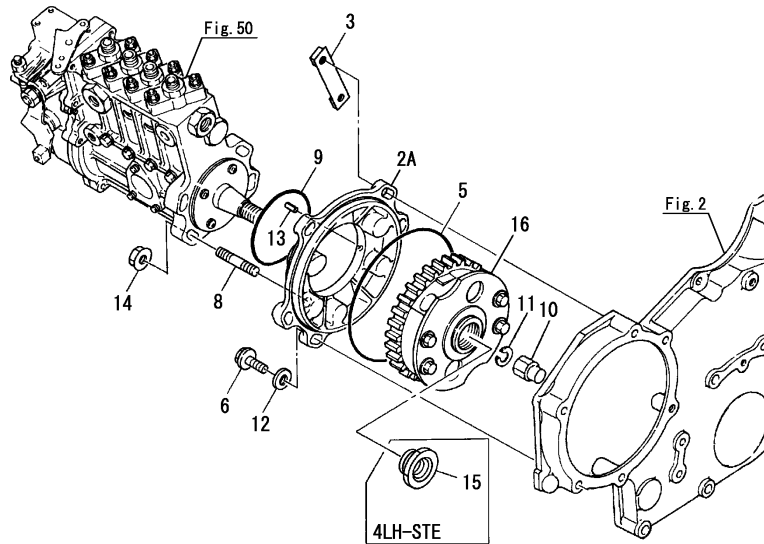
Fig.55. TIME & FUEL INJECTION PUMP DRIVING DEVICE

(A)=4LH-TE
(B)=4LH-HTE
(C)=4LH-DTE

(D)=4LH-STE
(E)=
(F)=



4LH-TE
4LH-HTE
4LH-DTE
4LH-STE

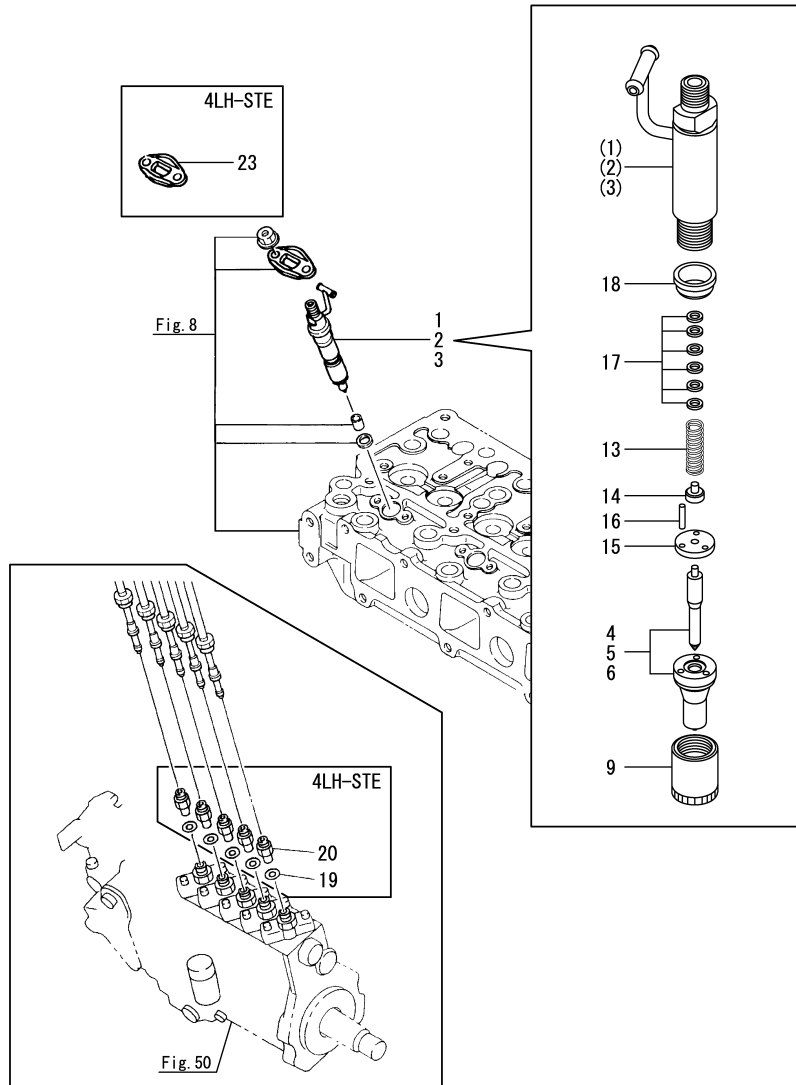


No.	Lev.	Parts No.	Description	Q'ty						I	R
				(A)	(B)	(C)	(D)	(E)	(F)		
1	1	119171-25900	GEAR, PUMP	1	1						
1-1	1	119171-25920	GEAR, PUMP	1	1						N
		(A=E10921) (B=E21806)									
2	1	119171-25910	BRACKET, PUMP	1	1						
2A	1	119000-25910	BRACKET, PUMP			1	1				
3	1	119000-25920	RETAINER	1	1	1	1				
4	1	22217-140000	WASHER, SPRING 14	1	1						
5	1	24341-001350	O-RING, 1AS135.0	1	1	1	1				
6	1	26106-080252	BOLT, M8X 25 PLATED	3	3	3	3				
7	1	26776-140002	NUT, LOCK M14	1	1						
8	1	121850-01900	STUD, SB10X32			4	4				
8-1	1	26226-100322	STUD, M10X 32			4	4				R
		(C=EXXXXX) (D=EXXXXX)									
9	1	124410-51960	O-RING			1	1				
10	1	144606-54900	NUT, CAP			1	1				
11	1	144606-54910	WASHER			1	1				
12	1	106100-55800	WASHER			3	3				
13	1	22351-050012	PIN, SPRING 5.0X12			1	1				
14	1	26366-100002	NUT, M10			4	4				
14-1	1	26306-100002	NUT, M10			4	4				N
		(C=EXXXXX) (D=EXXXXX)									
15	1	119175-54580	BOLT					1			
16	1	719192-54800	TIMER ASSY			1					
16-1	1	719173-54100	TIMER ASSY			1					R
		(C=EXXXXX)									
16A	1	719175-54800	TIMER ASSY					1			
16A-1	1	719175-54801	TIMER ASSY					1			N
		(D=E52595)									
16A-2	1	719175-54102	TIMER ASSY(4LH-STE)					1			R
		(D=EXXXXX)									

Fig.56. FUEL INJECTION VALVE

(A)=4LH-TE
(B)=4LH-HTE
(C)=4LH-DTE

(D)=4LH-STE
(E)=
(F)=

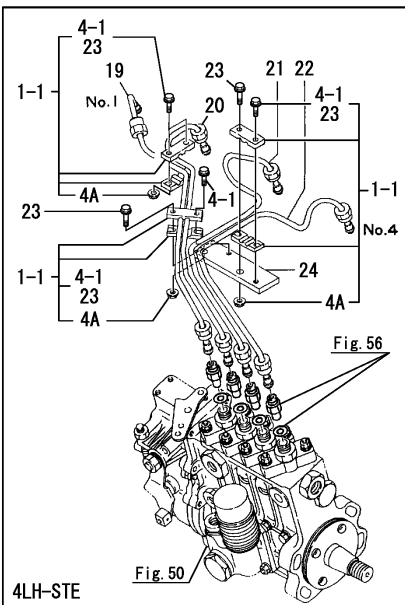
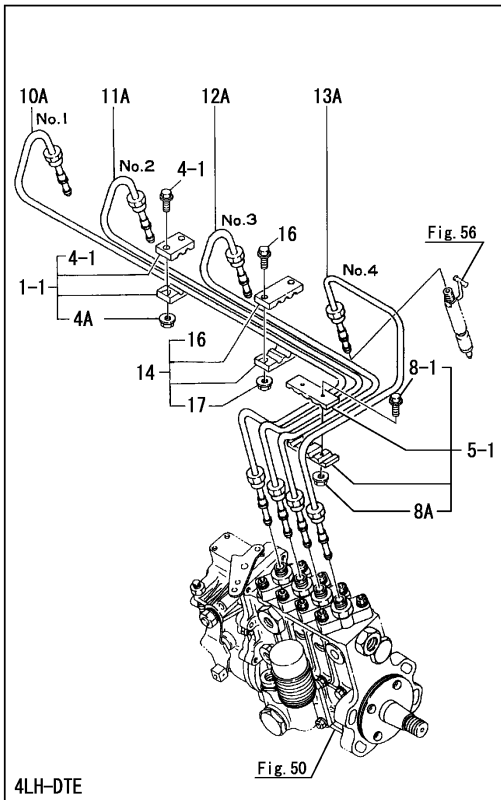
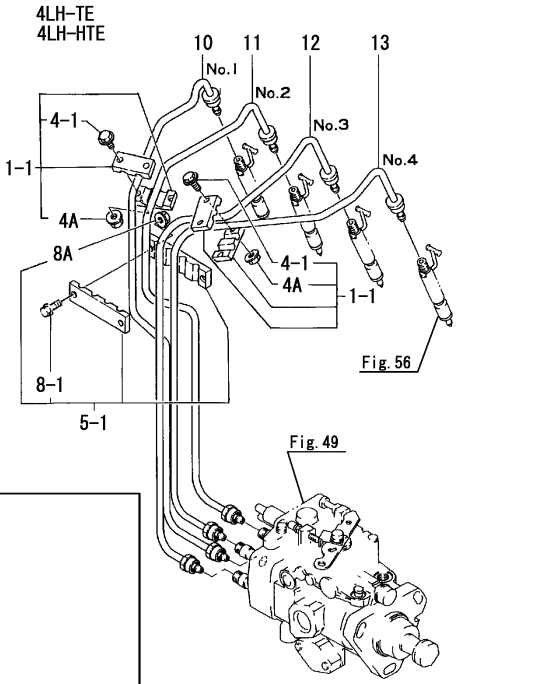
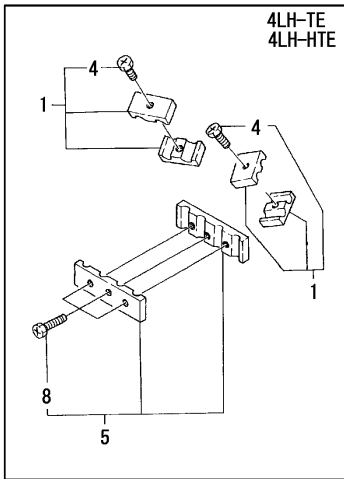


No.	Lev.	Parts No.	Description	Q'ty						I	R
				(A)	(B)	(C)	(D)	(E)	(F)		
1	1	719171-53100	VALVE ASSY,INJECTION	4							
2	1	719172-53100	VALVE ASSY,INJECTION		4						
2-1	1	719171-53100	VALVE ASSY,INJECTION		4						N
			(B=E21833)								
3	1	719173-53100	VALVE ASSY,INJECTION			4					
3A	1	719175-53100	VALVE ASSY,INJECTION						4		
4	2	119171-53000	VALVE ASSY,INJECTION	4							
5	2	119172-53000	VALVE ASSY,INJECTION		4						
5-1	2	119171-53000	VALVE ASSY,INJECTION		4						N
			(B=E21833)								
6	2	119173-53001	VALVE ASSY,INJECTION			4					
6A	2	119175-53000	VALVE ASSY,INJECTION						4		
9	2	114250-53080	NUT, NOZZLE D16.95	4	4	4					
9A	2	119593-53080	NUT, NOZZLE						4		
13	2	114250-53120	SPRING, NOZZLE	4	4	4					
13A	2	119593-53120	SPRING, NOZZLE						4		
14	2	114250-53130	SEAT, SPRING	4	4	4					
14A	2	119593-53130	SEAT, SPRING						4		
15	2	114250-53140	PLATE	4	4	4					
15A	2	119593-53140	PLATE						4		
16	2	114250-53210	PIN	8	8	8	8				
17	2	114250-53400	SHIM SET	4	4	4	4				
18	2	129120-11920	COVER	4	4	4	4				
18-1	2	129470-11920	GASKET	4	4	4	4				N
			(A=*1991.03.) (B=*1991.03.) (C=*1991.03.)								
18-2	2	129685-11930	GASKET, NOZZLE	4	4	4					R
			(A=*2005.09.) (B=*2005.09.) (C=*2005.09.)								
19	2	119594-53290	GASKET						4		
20	2	119175-53300	JOINT ASSY						4		
23	2	119625-11900	RETAINER, NOZZLE						4		

Fig.57. FUEL INJECTION PIPE

(A)=4LH-TE
(B)=4LH-HTE
(C)=4LH-DTE

(D)=4LH-STE
(E)=
(F)=

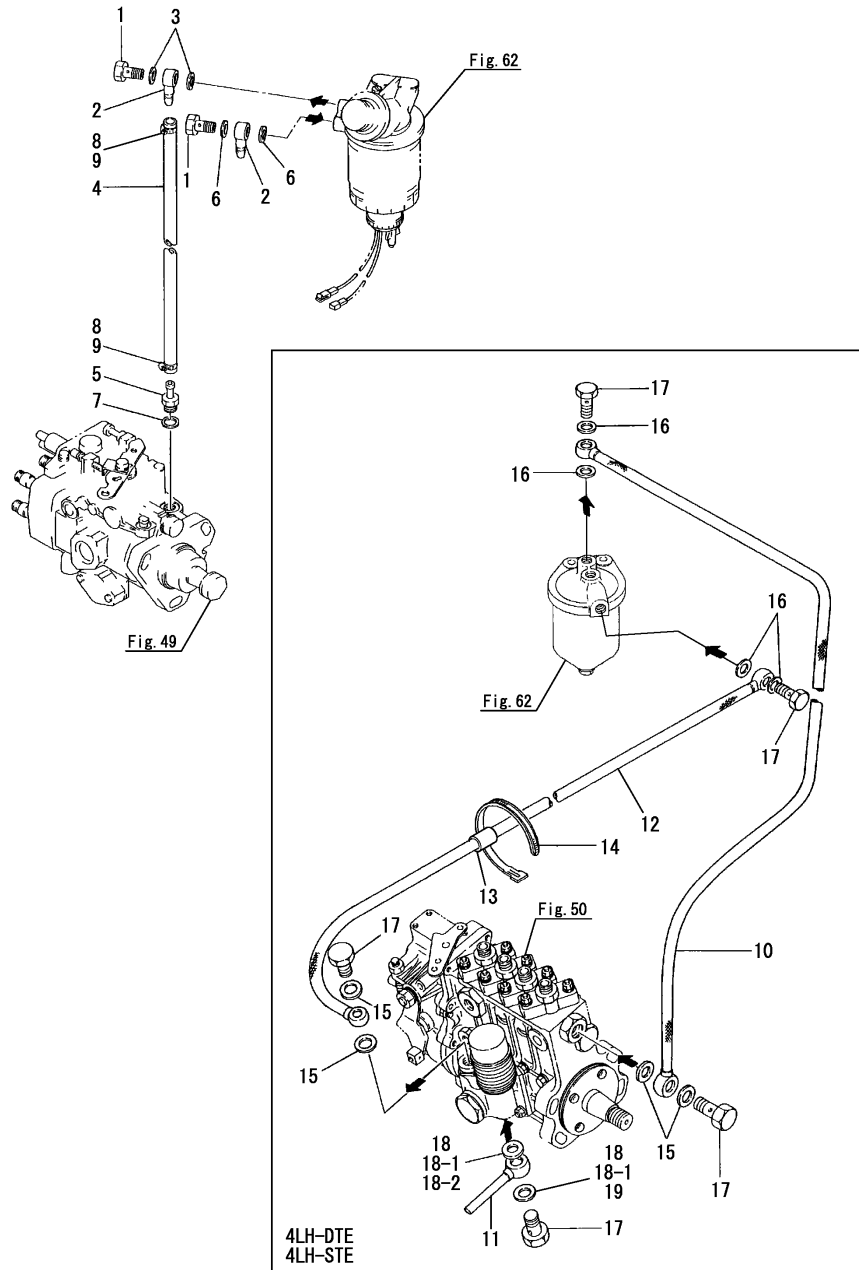


No.	Lev.	Parts No.	Description	Q'ty						I	R
				(A)	(B)	(C)	(D)	(E)	(F)		
1	1	129150-59120	RETAINER, PIPE	2	2						
1-1	1	122780-59080	RETAINER ASSY	2	2	1	3				S
		(A=*1987.08) (B=*1987.08)									
4	2	129150-59130	BOLT, M4X12	2	2						
4-1	2	26106-060202	BOLT, M6X 20 PLATED	4	4	2	6				N
		(A=*1987.08) (B=*1987.08)									
4A	2	26366-060002	NUT, M6	4	4	2	6				W
		(A=*1987.08) (B=*1987.08)									
5	1	129550-59120	RETAINER, PIPE	2	2						
5-1	1	123472-59090	RETAINER ASSY	1	1	1					S
		(A=*1987.08) (B=*1987.08)									
8	2	129150-59130	BOLT, M4X12	2	2						
8-1	2	26106-060202	BOLT, M6X 20 PLATED	2	2	2					S
		(A=*1987.08) (B=*1987.08)									
8A	2	26366-060002	NUT, M6	2	2	2					W
		(A=*1987.08) (B=*1987.08)									
10	1	119171-59810	PIPE ASSY, INJECTION	1	1						
10A	1	119100-59810	PIPE ASSY, INJECTION			1					
11	1	119171-59820	PIPE ASSY, INJECTION	1	1						
11A	1	119100-59820	PIPE ASSY, INJECTION			1					
12	1	119171-59830	PIPE ASSY, INJECTION	1	1						
12A	1	119100-59830	PIPE ASSY, INJECTION			1					
13	1	119171-59840	PIPE ASSY, INJECTION	1	1						
13A	1	119100-59840	PIPE ASSY, INJECTION			1					
14	1	123372-59080	RETAINER			1					
16	2	26106-060202	BOLT, M6X 20 PLATED			2					
17	2	26366-060002	NUT, M6			2					
19	1	119181-59810	PIPE ASSY, INJECTION					1			
19-1	1	119181-59811	PIPE ASSY, INJECTION					1			N
		(D=E50102)									
20	1	119181-59820	PIPE ASSY, INJECTION					1			
20-1	1	119181-59821	PIPE ASSY, INJECTION					1			N
		(D=E50102)									
21	1	119181-59830	PIPE ASSY, INJECTION					1			
21-1	1	119181-59831	PIPE ASSY, INJECTION					1			N
		(D=E50102)									
22	1	119181-59840	PIPE ASSY, INJECTION					1			
22-1	1	119181-59841	PIPE ASSY, INJECTION					1			N
		(D=E50102)									
23	1	26106-060252	BOLT, M6X 25 PLATED			4					
24	1	119181-59120	BRACKET			1					

Fig.58. FUEL PIPE

(A)=4LH-TE
(B)=4LH-HTE
(C)=4LH-DTE

(D)=4LH-STE
(E)=
(F)=

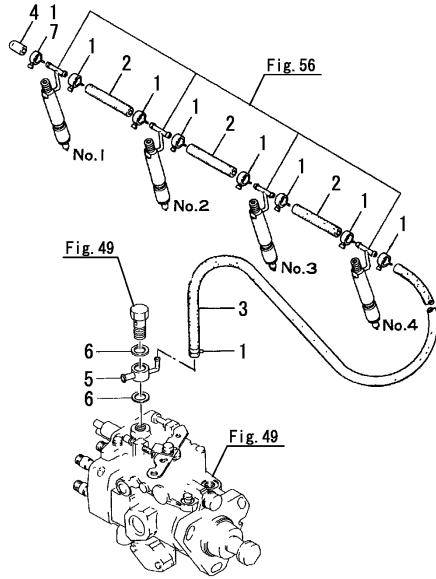


No.	Lev.	Parts No.	Description	Q'ty						I	R
				(A)	(B)	(C)	(D)	(E)	(F)		
1	1	194256-04820	BOLT, JOINT M6	2	2						
2	1	104264-59020	JOINT	2	2						
2-1	1	101304-59020	JOINT, PIPE 12	2	2						N
3	1	(A=*1987.09) 22190-120002 (B=*1987.09)	WASHER, SEAL 12	2	2						
4	1	129470-59540	PIPE, FUEL	1	1						
4-1	1	119172-59201	PIPE, FUEL	1	1						N
5	1	(A=E11193) 119171-59910 (B=E22695)	JOINT, PIPE	1	1						
6	1	22190-120002	WASHER, SEAL 12	2	2						
7	1	22190-120002	WASHER, SEAL 12	1	1						
8	1	23000-016000	CLAMP, 16	2	2						Z
9	1	(A=*1987.09) 23000-019000 (B=*1987.09)	CLAMP, 19	2	2						W
10	1	(A=E11193) 119187-59020 (B=E22695)	PIPE, FUEL			1	1				
10-1	1	119187-59021	PIPE, FUEL			1	1				R
10-2	1	119187-59022	PIPE, FUEL L=365 (C=E24806) (D=E52640)			1	1				N
11	1	123325-59420	PIPE ASSY, FUEL (C=EXXXXX) (D=EXXXXX)			1	1				
12	1	119187-59011	PIPE, FUEL			1	1				
12-1	1	119187-59012	PIPE, FUEL (C=E24806) (D=E52640)			1	1				R
12-2	1	119187-59013	PIPE, FUEL (C=EXXXXX) (D=EXXXXX)			1	1				N
13	1	124770-77940	PROTECTOR (C=E24806) (D=E52640)			1	1				W
14	1	121750-59890	BAND, 140			1	1				
15	1	22190-140002	WASHER, SEAL 14	4	4						
16	1	22190-140002	WASHER, SEAL 14	4	4						
17	1	23857-080000	BOLT, JOINT 8	5	5						
18	1	23414-140000	GASKET, 14X1.0	2	2						
18-1	1	22190-140002	WASHER, SEAL 14 (C=EXXXXX) (D=EXXXXX)	2	2						N
18-2	1	124450-01980	GASKET (C=EXXXXX) (D=EXXXXX)	1	1						N
19	1	23414-140018	GASKET, 14X1.0 (C=EXXXXX) (D=EXXXXX)	1	1						W

Fig.59. FUEL RETURN PIPE(4LH-TE,HTE)

(A)=4LH-TE
(B)=4LH-HTE
(C)=4LH-DTE

(D)=4LH-STE
(E)=
(F)=

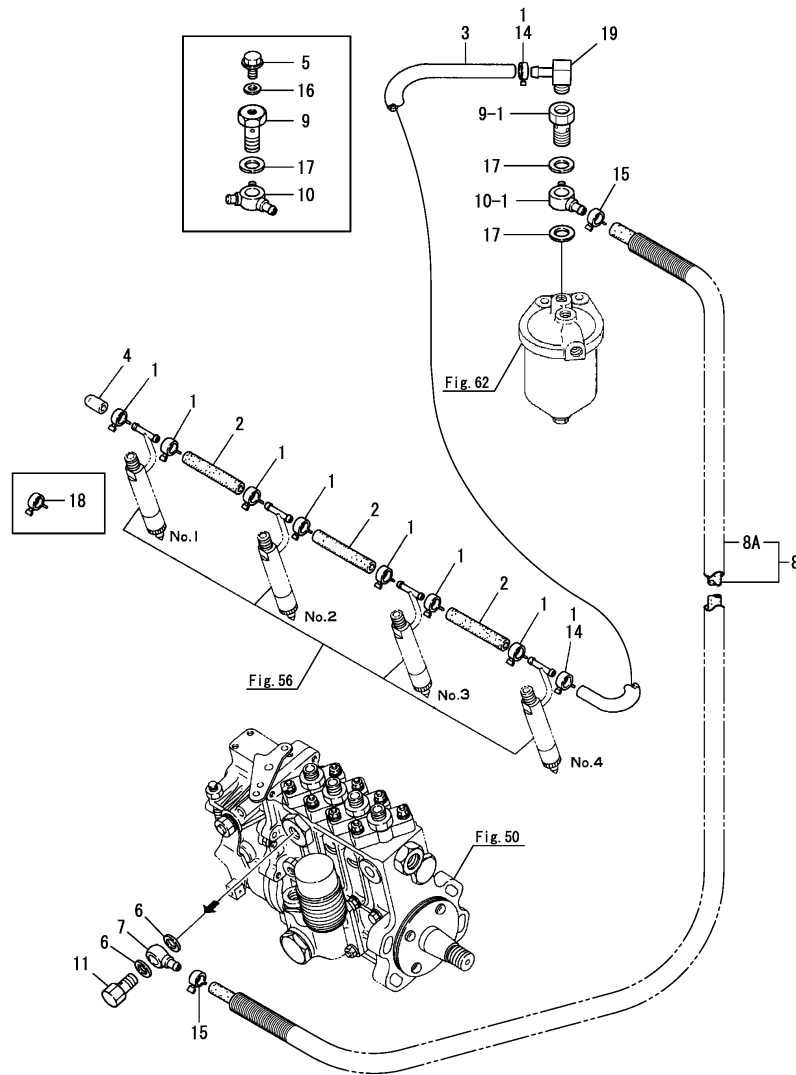


No.	Lev.	Parts No.	Description	Q'ty						I	R
				(A)	(B)	(C)	(D)	(E)	(F)		
1	1	124066-59100	CLIP, HOSE 8	9	9						
1-1	1	124066-59100	CLIP, HOSE 8	8	8						K
		(A=E11033) (B=E22138)									
1-2	1	23000-016000	CLAMP, 16	8	8						N
		(A=E11139) (B=E22566)									
1-3	1	23000-016000	CLAMP, 16	9	9						K
		(A=E11193) (B=E22695)									
2	1	119000-59550	PIPE, FUEL RETURN	3	3						
2-1	1	129495-59552	PIPE, FUEL	3	3						N
		(A=E11139) (B=E22566)									
2-2	1	129495-59553	PIPE, FUEL	3	3						N
		(A=E11193) (B=E22695)									
3	1	129100-59560	PIPE, FUEL RETURN	1	1						
3-1	1	119182-59561	PIPE, FUEL RETURN	1	1						N
		(A=E11139) (B=E22566)									
3-2	1	119182-59562	PIPE, FUEL	1	1						N
		(A=E11193) (B=E22695)									
4	1	129150-59580	CAP	1	1						
4-1	1	119593-59580	CAP	1	1						N
		(A=E11033) (B=E22138)									
4-2	1	129270-59580	CAP	1	1						N
		(A=E11193) (B=E22695)									
5	1	119171-59990	JOINT, PIPE	1	1						
5-1	1	129901-59580	JOINT, PIPE	1	1						N
		(A=E11193) (B=E22695)									
6	1	22190-120002	WASHER, SEAL 12	2	2						
7	1	119593-59590	BAND	1	1						W
		(A=E11033) (B=E22138)									
7-1	1	119593-59590	BAND	1	1						Z
		(A=E11193) (B=E22695)									

Fig.60. FUEL RETURN PIPE(4LH-DTE)

(A)=4LH-TE
(B)=4LH-HTE
(C)=4LH-DTE

(D)=4LH-STE
(E)=
(F)=



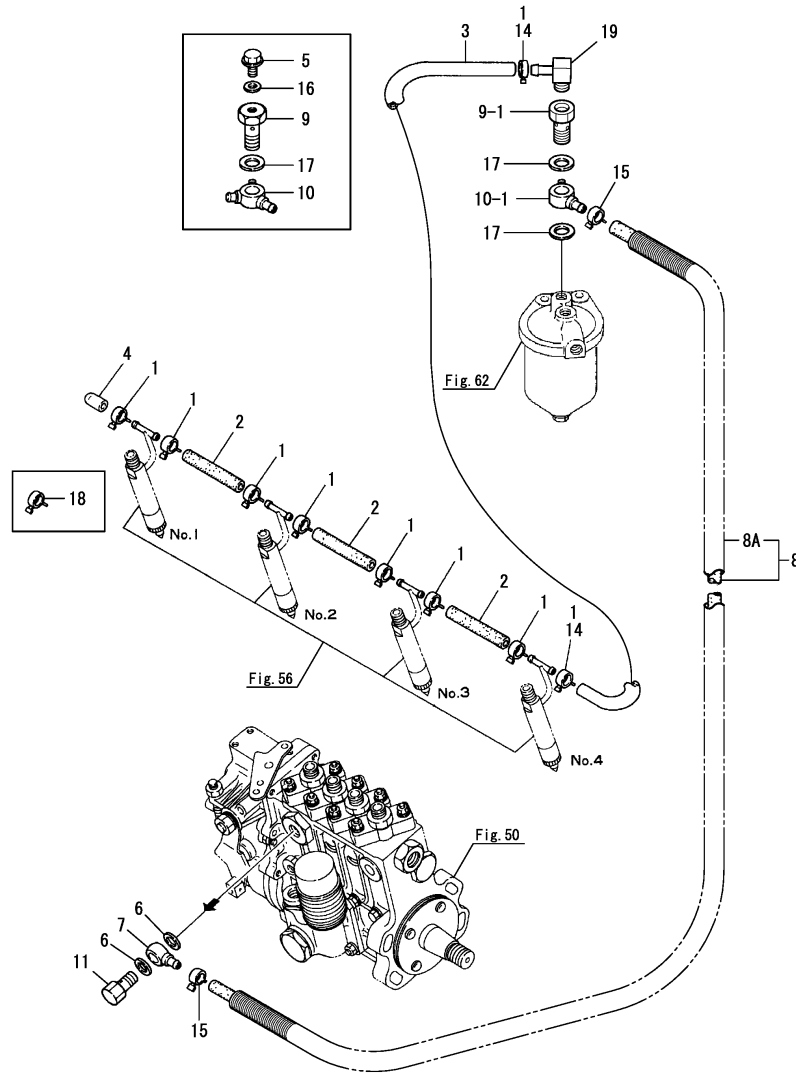
No.	Lev.	Parts No.	Description	Qty						I	R
				(A)	(B)	(C)	(D)	(E)	(F)		
1	1	124066-59100	CLIP, HOSE 8			7					
1-1	1	124066-59100	CLIP, HOSE 8 (C=E23618)			6					K
1-2	1	23000-016000	CLAMP, 16 (C=E24189)			8					N
1-3	1	23000-016000	CLAMP, 16 (C=E24440)			9					K
2	1	119000-59550	PIPE, FUEL RETURN			3					
2-1	1	129495-59552	PIPE, FUEL (C=E24189)			3					N
2-2	1	129495-59553	PIPE, FUEL (C=E24440)			3					N
3	1	129495-59561	PIPE, FUEL L=190			1					
3-1	1	129495-59562	PIPE, FUEL L=190 (C=E24189)			1					N
3-2	1	129495-59563	PIPE, FUEL (C=E24440)			1					N
4	1	129150-59580	CAP			1					
4-1	1	119593-59580	CAP (C=E23618)			1					N
4-2	1	129270-59580	CAP (C=E24440)			1					N
5	1	26106-080102	BOLT, M8X 10 PLATED (C=E23618)			1					Z
6	1	22190-120002	WASHER, SEAL 12			2					
7	1	101304-59020	JOINT, PIPE 12			1					
8	1	119173-59120	PIPE, FUEL			1					
8-1	1	119173-59121	PIPE, FUEL (C=E24189)			1					N
8-2	1	119173-59122	PIPE, FUEL (C=E24440)			1					N
8-3	1	119173-59540	PIPE ASSY, RETURN (C=E24708)			1					N
8A	2	119173-59460	TUBE, CORRUGATED 19 (C=E24708)			1					W
9	1	129495-59300	BOLT, PIPE JOINT			1					
9-1	1	119593-59920	VALVE ASSY, CHECK (C=E23618)			1					F 1
10	1	129470-59530	JOINT, PIPE			1					
10-1	1	119593-59980	JOINT, PIPE (C=E23618)			1					F 1
10-2	1	119574-59980	JOINT, PIPE (C=E24833)			1					R
11	1	119187-59950	VALVE ASSY, CHECK			1					
11-1	1	119194-59950	VALVE ASSY, CHECK (C=EXXXXX)			1					N
14	1	23000-013000	CLAMP, 13 (C=E24189)			2					Z
15	1	23000-016000	CLAMP, 16			2					
16	1	23414-080000	GASKET, 8X1.0 (C=E23618)			1					Z

Remarks
(1)Interchangeable by simultaneous replacement with Ref.No.9-1,10-1, 19.

Fig.60. FUEL RETURN PIPE(4LH-DTE)

(A)=4LH-TE
(B)=4LH-HTE
(C)=4LH-DTE

(D)=4LH-STE
(E)=
(F)=



No.	Lev.	Parts No.	Description	Q'ty						I	R
				(A)	(B)	(C)	(D)	(E)	(F)		
17	1	22190-140002	WASHER, SEAL 14			2					
18	1	119593-59590	BAND (C=E23618)			1					W
18-1	1	119593-59590	BAND (C=E24440)			1					Z
19	1	119593-59960	ELBOW, PT1/8 (C=E23618)			1					W

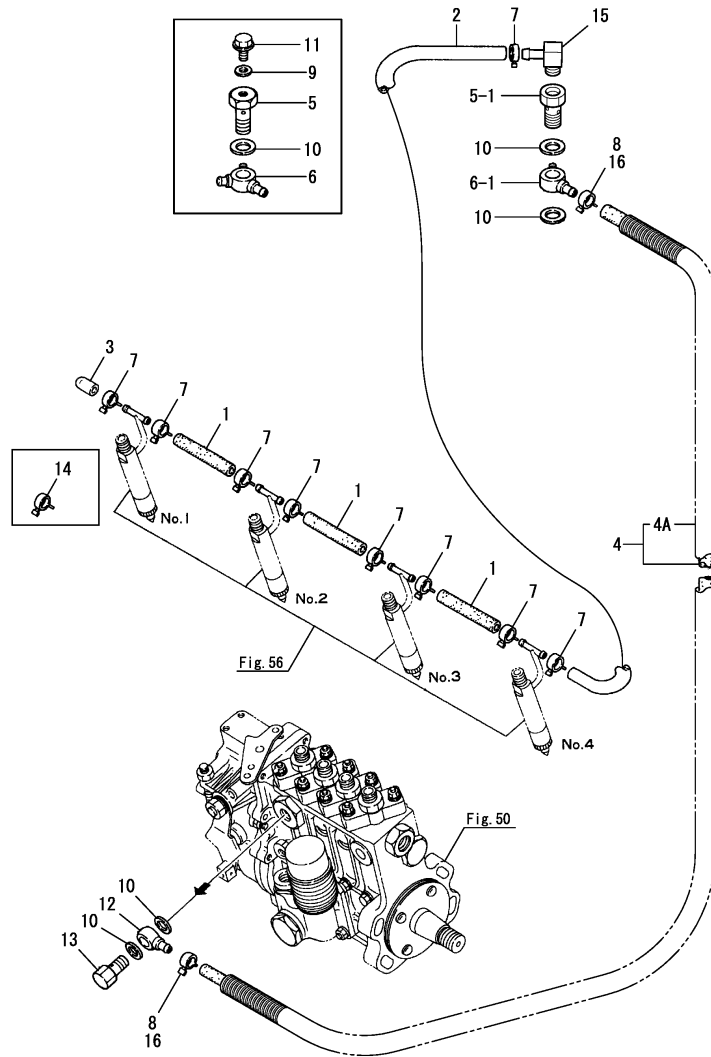
Remarks

(1)Interchangeable by simultaneous replacement with Ref.No.9-1,10-1, 19.

Fig.61. FUEL RETURN PIPE(4LH-STE)

(A)=4LH-TE
(B)=4LH-HTE
(C)=4LH-DTE

(D)=4LH-STE
(E)=
(F)=



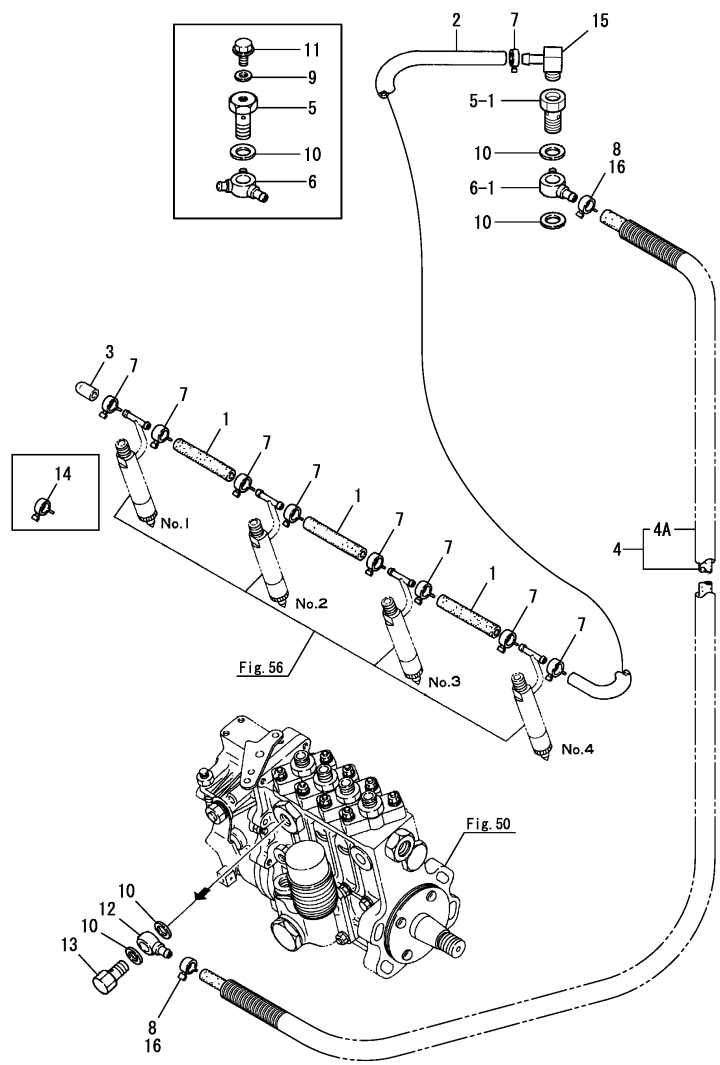
No.	Lev.	Parts No.	Description	Q'ty						I	R	
				(A)	(B)	(C)	(D)	(E)	(F)			
1	1	129495-59551	PIPE, FUEL RETURN				3					
1-1	1	129495-59552	PIPE, FUEL				3					N
			(D=E52090)									
1-2	1	129495-59553	PIPE, FUEL				3					N
			(D=E52336)									
2	1	129495-59561	PIPE, FUEL L=190				1					
2-1	1	129495-59562	PIPE, FUEL L=190				1					N
			(D=E52090)									
2-2	1	129495-59563	PIPE, FUEL				1					N
			(D=E52336)									
3	1	129150-59580	CAP				1					
3-1	1	129270-59580	CAP				1					N
			(D=E52336)									
4	1	119187-59530	PIPE, 7.3X13.0X500				1					
4-1	1	128370-59101	PIPE, 7.3X13.0X500				1					N
			(D=E52090)									
4-2	1	119187-59531	PIPE, 7.3X13.0X500				1					N
			(D=E52090)									
4-3	1	119187-59532	PIPE, FUEL				1					N
			(D=E52336)									
4-4	1	119173-59540	PIPE ASSY, RETURN				1					N
			(D=E52563)									
4A	2	119173-59460	TUBE, CORRUGATED 19				1					W
			(D=E52563)									
5	1	129495-59300	BOLT, PIPE JOINT				1					
5-1	1	119593-59920	VALVE ASSY, CHECK				1					F 1
			(D=E51549)									
6	1	129470-59530	JOINT, PIPE				1					
6-1	1	119593-59980	JOINT, PIPE				1					F 1
			(D=E51549)									
6-2	1	119574-59980	JOINT, PIPE				1					R
			(D=E52679)									
7	1	23000-013000	CLAMP, 13				9					
7-1	1	23000-013000	CLAMP, 13				8					K
			(D=E51549)									
7-2	1	23000-016000	CLAMP, 16				8					N
			(D=E52090)									
7-3	1	23000-016000	CLAMP, 16				9					K
			(D=E52336)									
8	1	23000-013000	CLAMP, 13				2					Z
			(D=E52090)									
9	1	23414-080000	GASKET, 8X1.0				1					Z
			(D=E51549)									
10	1	22190-140002	WASHER, SEAL 14				4					
11	1	26106-080102	BOLT, M8X 10 PLATED				1					Z
			(D=E51549)									
12	1	121750-59910	JOINT				1					
13	1	119181-59950	VALVE ASSY, CHECK				1					
13-1	1	119595-59950	VALVE ASSY, CHECK				1					N
			(D=EXXXXX)									
14	1	119593-59590	BAND				1					W

Remarks
(1)Interchangeable by simultaneous replacement with Ref.No.5-1,6-1, 15.

Fig.61. FUEL RETURN PIPE(4LH-STE)

(A)=4LH-TE
(B)=4LH-HTE
(C)=4LH-DTE

(D)=4LH-STE
(E)=
(F)=



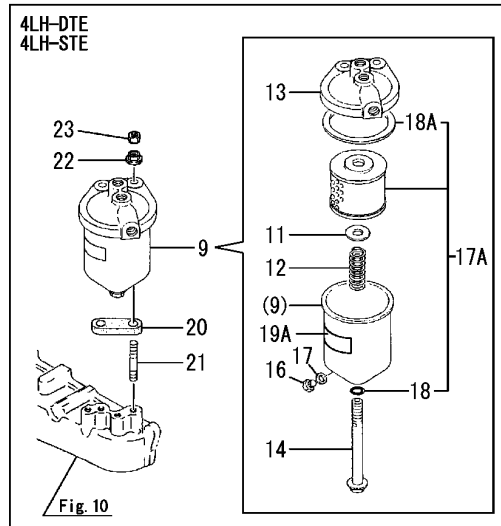
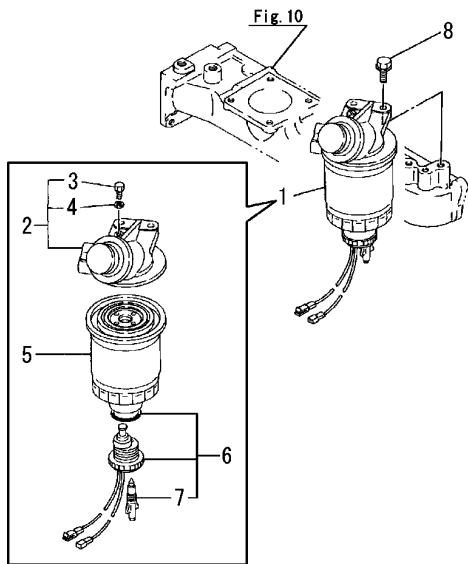
No.	Lev.	Parts No.	Description	Q'ty						I	R
				(A)	(B)	(C)	(D)	(E)	(F)		
14-1	1	119593-59590	BAND				1				Z
			(D=E51549)								
			(D=E52336)								
15	1	119593-59960	ELBOW, PT1/8				1				W
			(D=E51549)								
16	1	23000-019000	CLAMP, 19				2				W
			(D=E52336)								

Remarks
(1)Interchangeable by simultaneous replacement with Ref.No.5-1,6-1, 15.

Fig.62. FUEL STRAINER

(A)=4LH-TE
(B)=4LH-HTE
(C)=4LH-DTE

(D)=4LH-STE
(E)=
(F)=

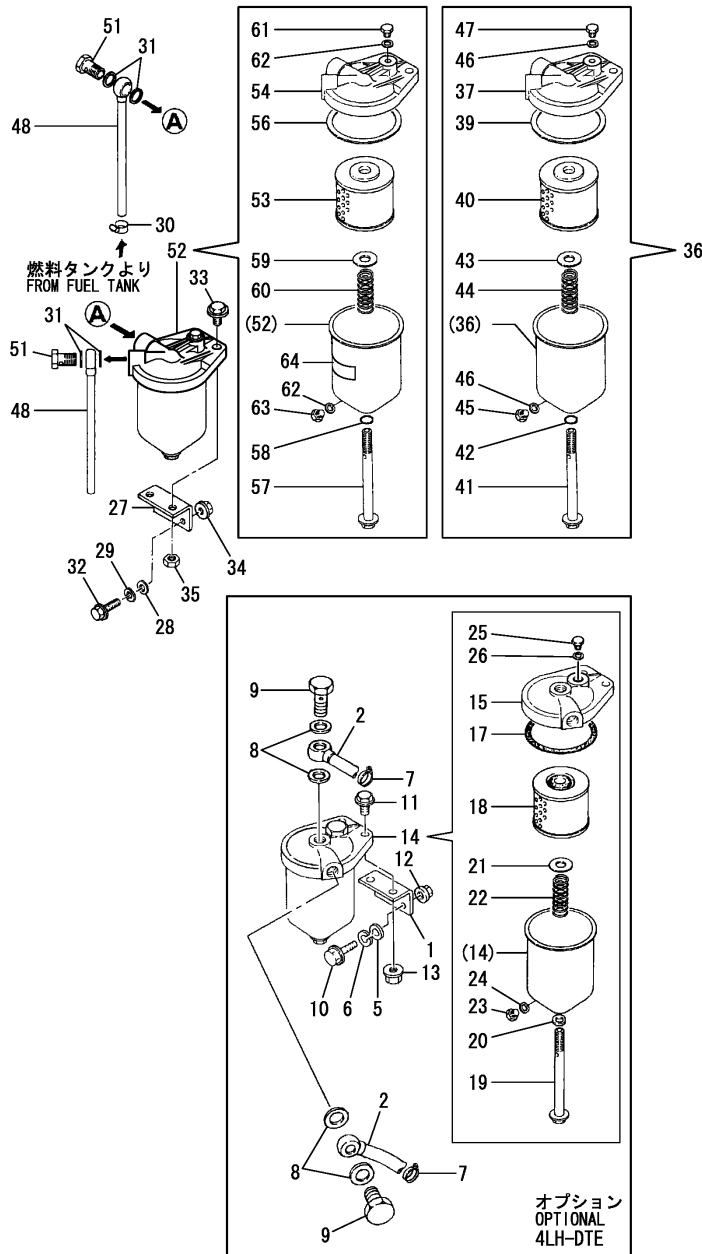


No.	Lev.	Parts No.	Description	Q'ty						I	R
				(A)	(B)	(C)	(D)	(E)	(F)		
1	1	121857-55800	SEPARATOR ASSY,WATER	1	1						
2	2	121857-55630	BODY ASSY, STRAINER	1	1						
3	3	121857-55750	PLUG	1	1						
4	3	121857-55760	WASHER	1	1						
5	2	121857-55710	FILTER, FUEL	1	1						
6	2	121857-55730	SENSOR	1	1						
7	3	121857-55740	PLUG	1	1						
8	1	26106-080252	BOLT, M8X 25 PLATED	2	2						
9	1	129495-55600	FILTER ASSY, FUEL			1	1				
10	2	123325-35140	GASKET (C=2013.11.) (D=2013.11.)			1	1				Z
11	2	123325-35160	WASHER			1	1				
12	2	123325-35170	SPRING			1	1				
13	2	129495-55610	BODY, STRAINER			1	1				
14	2	129495-55620	BOLT			1	1				
16	2	123672-55750	PLUG, DRAIN M8			1	1				
17	2	123672-55760	GASKET			1	1				
17A	2	41650-502320	ELEMENT ASSY(D72XL90) (C=2013.11.) (D=2013.11.)			1	1				W
18	3	24311-000120	O-RING, 1AP12.0			1	1				
18A	3	123325-35140	GASKET (C=2013.11.) (D=2013.11.)			1	1				W
19A	2	41650-501180	LABEL, CAUTION (C=EXXXXX) (D=EXXXXX)			1	1				W
20	1	119173-55700	RUBBER			1	1				
21	1	26216-100402	STUD, M10X 40			2	2				
22	1	26366-100002	NUT, M10			2	2				
22-1	1	26306-100002	NUT, M10 (C=EXXXXX) (D=EXXXXX)			2	2				N
23	1	26756-100002	NUT, LOCK M10			2	2				

Fig.63. OIL/WATER SEPARATER(OPTIONAL)

(A)=4LH-TE
(B)=4LH-HTE
(C)=4LH-DTE

(D)=4LH-STE
(E)=
(F)=

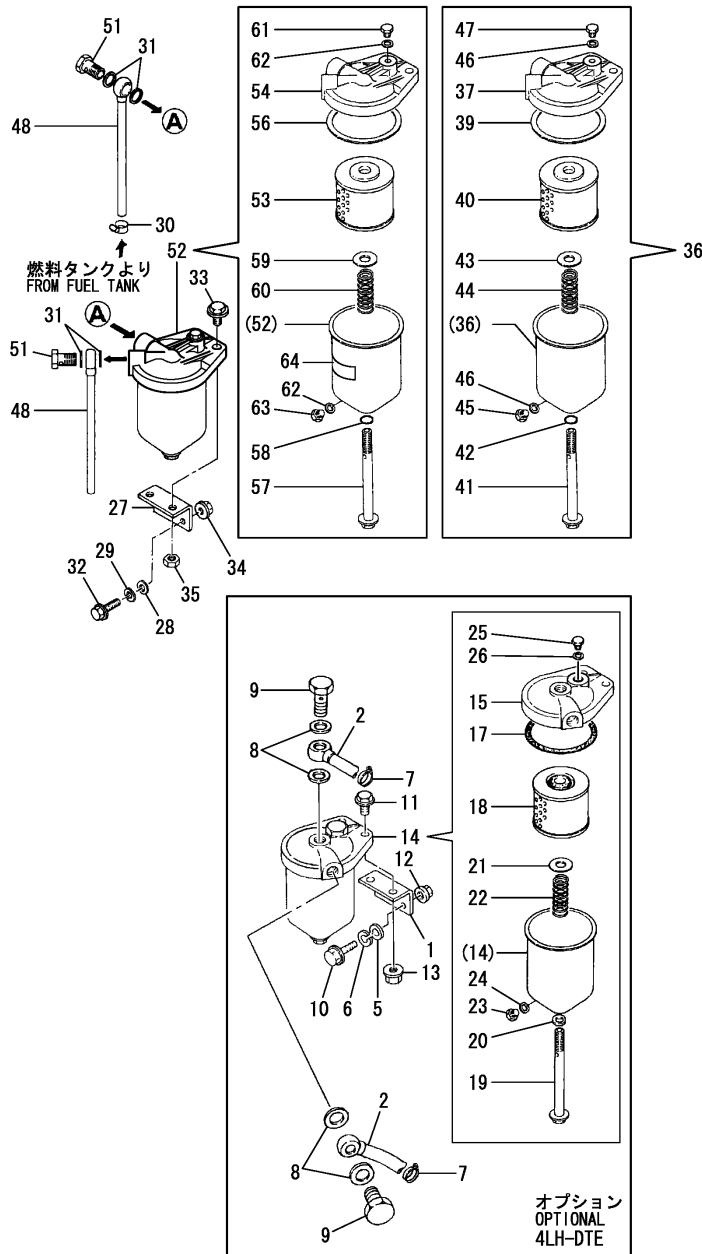


No.	Lev.	Parts No.	Description	Q'ty						I	R
				(A)	(B)	(C)	(D)	(E)	(F)		
1	1	123672-55811	BRACKET			1					
2	1	123325-59420	PIPE ASSY, FUEL			2					
5	1	22137-080000	WASHER, 8			2					
6	1	22217-080000	WASHER, SPRING 8			2					
7	1	23000-016000	CLAMP, 16			2					
8	1	23414-140000	GASKET, 14X1.0			4					
9	1	23857-080000	BOLT, JOINT 8			2					
10	1	26106-080302	BOLT, M8X 30 PLATED			2					
11	1	26106-100302	BOLT, M10X 30 PLATED			2					
12	1	26366-080002	NUT, M8			2					
13	1	26366-100002	NUT, M10			2					
14	1	43623-500040	SEPARATOR ASSY. O/W (C=E22147)			1					Z
15	2	123678-55700	COVER			1					
17	2	123678-55850	GASKET			1					
18	2	42430-500070	ELEMENT			1					
19	2	123678-55770	BOLT			1					
20	2	123678-55870	GASKET			1					
21	2	123678-55860	SEAT, SPRING D30/16			1					
22	2	X0600190922	SPRING			1					
23	2	23887-080002	PLUG 8			1					
24	2	123678-55890	GASKET			1					
25	2	123678-55880	PLUG, M14			1					
26	2	23414-080000	GASKET, 8X1.0			1					
27	1	123672-55811	BRACKET			1	1				
28	1	22137-080000	WASHER, 8			2	2				
29	1	22217-080000	WASHER, SPRING 8			2	2				
30	1	23000-016000	CLAMP, 16			2	2				
31	1	23414-140000	GASKET, 14X1.0			4	4				
32	1	26106-080402	BOLT, M8X 40 PLATED			2	2				
33	1	26106-100202	BOLT, M10X 20 PLATED			2	2				
34	1	26306-080002	NUT, M8			2	2				
35	1	26706-100002	NUT, M10			2	2				
36	1	43623-500030	SEPARATOR (C=E22147) (D=*1993.10)			1	1				W
36-1	1	43623-500030	SEPARATOR (C=E22562) (D=*1995.02)			1	1				Z
37	2	X2740134001	COVER ASSY			1	1				
39	2	X0582810173	GASKET			1	1				
40	2	42430-550061	ELEMENT, FUEL OIL			1	1				
41	2	X0311120810	BOLT			1	1				
42	2	X0580121073	O-RING, 1A P 12.0			1	1				
43	2	X0300120414	SEAT, SPRING			1	1				
44	2	X0600160122	SPRING			1	1				
45	2	X0313080110	BOLT			1	1				
46	2	X0588080273	WASHER			2	2				
47	2	X0314080110	PLUG			1	1				
48	1	123325-59420	PIPE ASSY, FUEL			2	2				
51	1	23857-080000	BOLT, JOINT 8			2	2				
52	1	120324-55750	SEPARATOR ASSY (C=E22562) (D=*1995.02)			1	1				W

Fig.63. OIL/WATER SEPARATER(OPTIONAL)

(A)=4LH-TE
(B)=4LH-HTE
(C)=4LH-DTE

(D)=4LH-STE
(E)=
(F)=

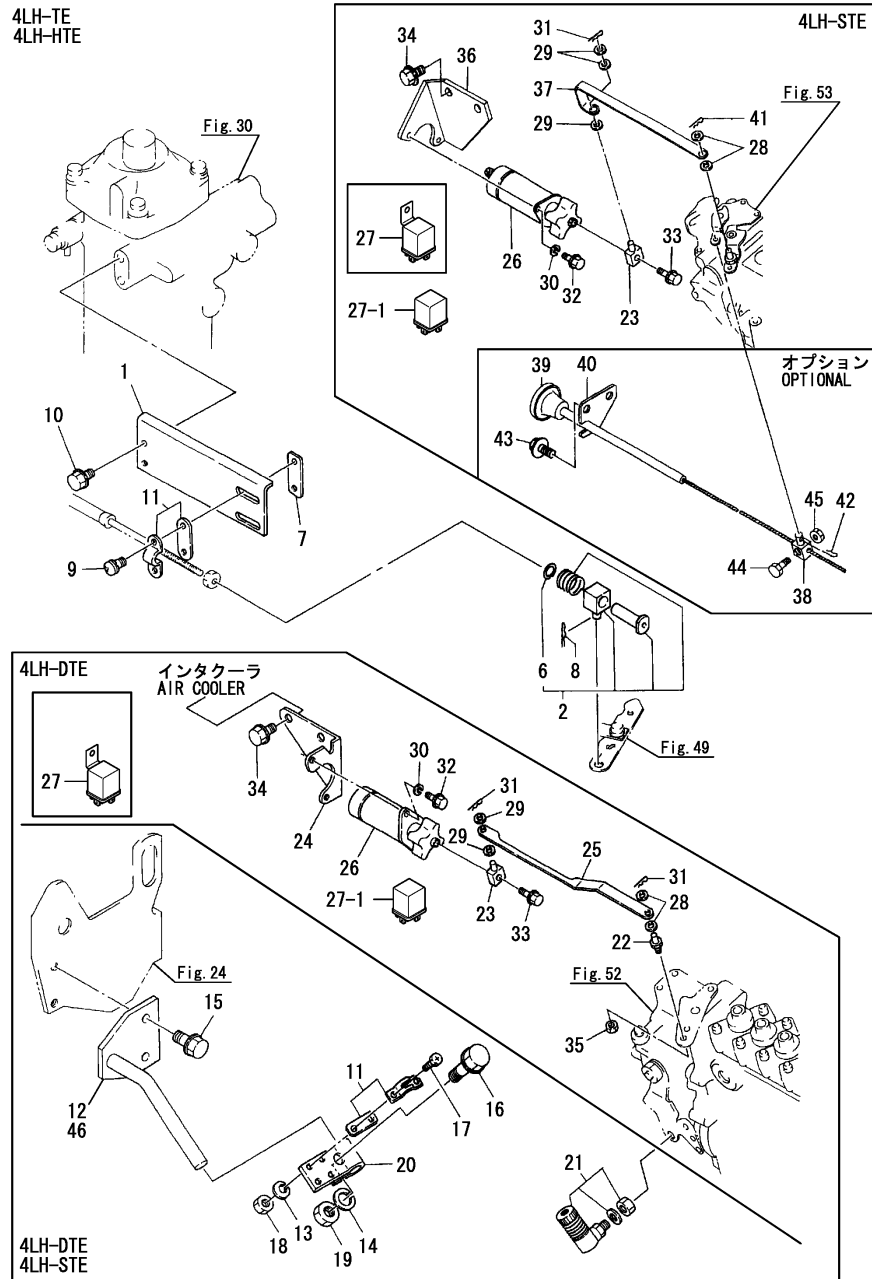


No.	Lev.	Parts No.	Description	Q'ty						I	R
				(A)	(B)	(C)	(D)	(E)	(F)		
52-1	1	120324-55751	SEPARATOR ASSY (C=EXXXXX) (D=EXXXXX)			1	1				N
53	2	120324-55760	ELEMENT			1	1				
54	2	X2740134001	COVER ASSY			1	1				Z
54-1	2	X2740134002	COVER ASSY (C=EXXXXX) (D=EXXXXX)			1	1				W
56	2	X0582810173	GASKET			1	1				
57	2	X0311121522	BOLT			1	1				
58	2	X0580121073	O-RING, 1A P 12.0			1	1				
59	2	X0300120414	SEAT, SPRING			1	1				
60	2	X0600160122	SPRING			1	1				
61	2	X0314080110	PLUG			1	1				
62	2	X0588080273	WASHER			2	2				
63	2	X0313080110	BOLT			1	1				Z
63-1	2	X0313080922	BOLT			1	1				W
64	2	X0993071171	LABEL, CAUTION (C=EXXXXX) (D=EXXXXX)			1	1				W

Fig.64. ENGINE STOP DEVICE

(A)=4LH-TE
(B)=4LH-HTE
(C)=4LH-DTE

(D)=4LH-STE
(E)=
(F)=



No.	Lev.	Parts No.	Description	Q'ty						I	R
				(A)	(B)	(C)	(D)	(E)	(F)		
1	1	119171-67100	BRACKET, CABLE	1	1						
2	1	105311-67200	RETAINER ASSY	1	1						
6	2	22242-000100	RING, 10	1	1						
7	1	121574-86320	RETAINER	1	1						
8	1	22414-250150	PIN, COTTER 2.5X15	1	1						
9	1	26022-050122	SCREW, M5X12	2	2						
10	1	26106-060122	BOLT, M6X 12 PLATED	2	2						
11	1	41710-000410	CLAMP	1	1	1	1				
12	1	119187-67150	BRACKET, CABLE			1	1				
12-1	1	119181-67160	BRACKET ASSY (C=EXXXXX) (D=EXXXXX)			1	1				N
13	1	22217-050000	WASHER, SPRING 5			2	2				
14	1	22217-080000	WASHER, SPRING 8			1	1				
15	1	26106-080122	BOLT, M8X 12 PLATED			2	2				
16	1	26116-080252	BOLT, M8X 25 PLATED			1	1				
17	1	26557-050122	SCREW, M5X12			2	2				
18	1	26716-050002	NUT, M5			2	2				
19	1	26716-080002	NUT, M8			1	1				
20	1	41701-001720	BRACKET			1	1				
21	1	41710-001300	JOINT, BALL			1	1				
22	1	120220-66250	PIN			1					
23	1	171078-66551	PIN			1	1				
24	1	129573-67300	BRACKET, SOLENOID			1					
25	1	119173-67310	LINK			1					
26	1	129470-67320	SOLENOID, STOP 12V			1	1				
27	1	124617-91850	RELAY			1	1				
27-1	1	119773-91850	RELAY			1	1				R
			(C=E24888) (D=E52738)								
28	1	22117-060000	WASHER, 6			2	2				
29	1	22117-080000	WASHER, 8			3	3				
30	1	22217-060000	WASHER, SPRING 6			2	2				
31	1	22360-080000	SNAP PIN 8			2	1				
32	1	26106-060102	BOLT, M6X 10 PLATED			2	2				
33	1	26106-060202	BOLT, M6X 20 PLATED			1	1				
34	1	26106-080122	BOLT, M8X 12 PLATED			2	2				
35	1	26366-060002	NUT, M6			1					
36	1	119174-67300	BRACKET, SOLENOID				1				
37	1	119174-67310	LINK				1				
38	1	129590-67310	RETAINER				1				
39	1	119174-67450	WIRE				1				
40	1	119174-67900	BRACKET				1				
41	1	22360-050000	SNAP PIN 5				1				
42	1	22360-060000	PIN, SNAP 6				1				
43	1	26106-080122	BOLT, M8X 12 PLATED				2				
44	1	26116-050142	BOLT, M5X 14 PLATED				1				
45	1	26756-050002	NUT, LOCK M5				1				
46	1	119181-67150	BRACKET, CABLE				1				
46-1	1	119181-67160	BRACKET ASSY				1				R
			(D=EXXXXX)								

Fig.65. SINGLE LEVER CONTROL(OPTIONAL)

(A)=4LH-TE
(B)=4LH-HTE
(C)=4LH-DTE

(D)=4LH-STE
(E)=
(F)=

No.	Lev.	Parts No.	Description	Qty						I	R
				(A)	(B)	(C)	(D)	(E)	(F)		
1	1	128170-86500	CONTROLLER	1	1	1	1				
2	1	41730-000680	HEAD, REMOTE-CONTROL	1	1	1					
2-1	1	41730-000681	MT-3 REMO-CON	1	1	1	1				S
				(A=*1992.06)	(B=*1992.06)	(C=*1992.06)					

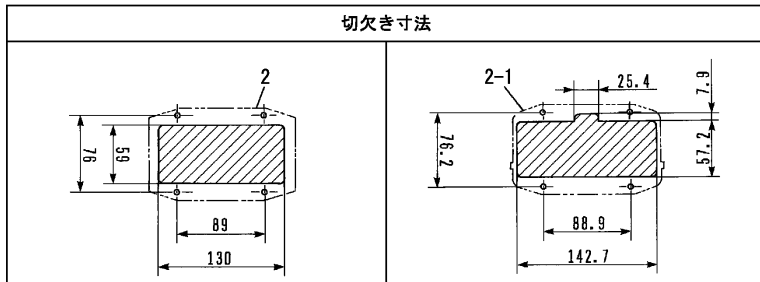
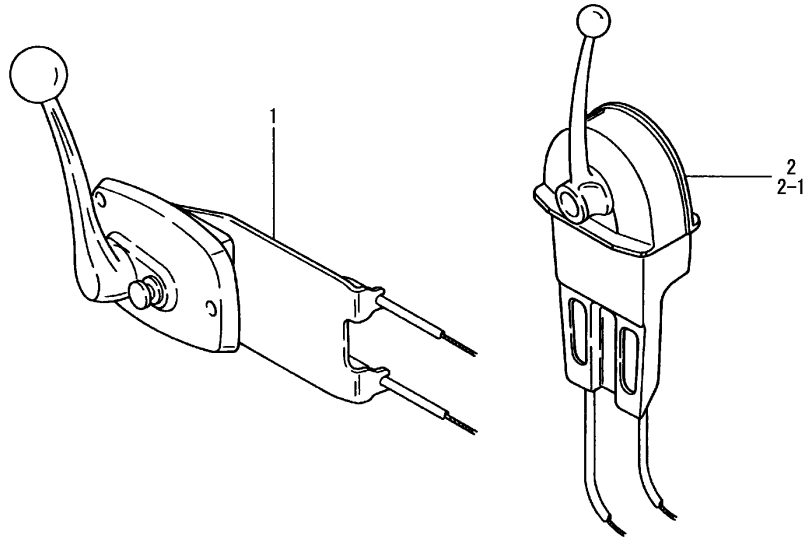
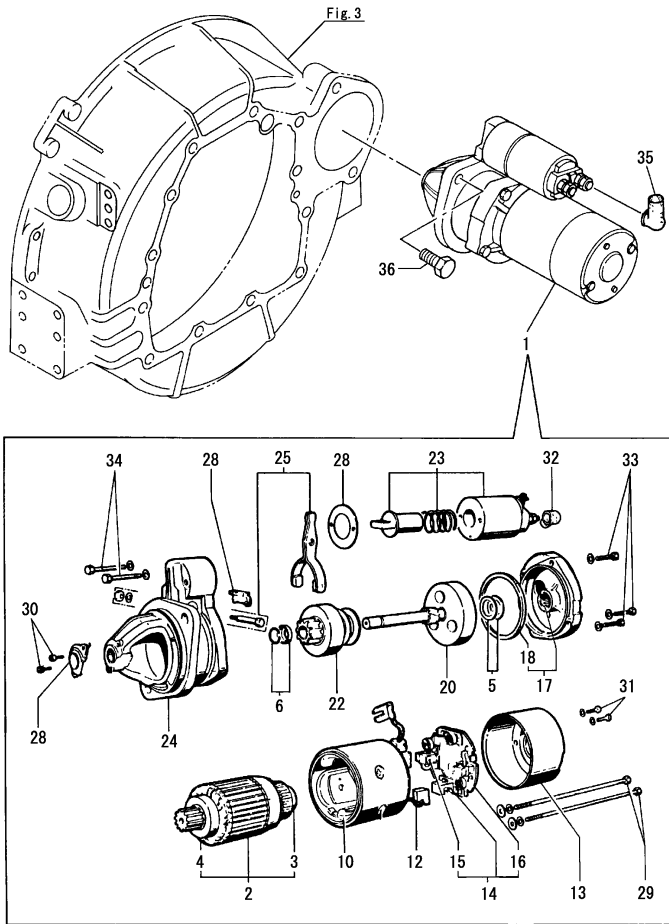


Fig.66. STARTING MOTOR

(A)=4LH-TE
(B)=4LH-HTE
(C)=4LH-DTE

(D)=4LH-STE
(E)=
(F)=



No.	Lev.	Parts No.	Description	Qty						I	R
				(A)	(B)	(C)	(D)	(E)	(F)		
1	1	121254-77011	STARTER, S13-41A	1	1	1					
1-1	1	121254-77012	STARTING MOTOR(DC12V	1	1	1	1				N
		(A=*1990.09)	(B=*1990.09)	(C=*1990.09)							
1-2	1	121254-77019	STARTING MOTOR(DC12V	1	1	1	1				N 1
		(A=E11276)	(B=E23259)	(C=E25030)	(D=E52901)						
2	2	121254-77400	ARMATURE ASSY	1	1	1					
2-1	2	121254-77401	ARMATURE ASSY	1	1	1	1				N
		(A=*1990.09)	(B=*1990.09)	(C=*1990.09)							
3	3	121254-77410	BALL BEARING	1	1	1	1				
4	3	121254-77420	BALL BEARING	1	1	1	1				
5	2	121254-77430	WASHER KIT, THRUST	1	1	1	1				
6	2	121254-77480	STOPPER KIT, PINION	1	1	1	1				
10	2	121254-77520	COIL ASSY, FIELD	1	1	1	1				
12	3	121254-77540	BRUSH(+)	2	2	2	2				
13	2	121254-77550	COVER ASSY, REAR	1	1	1	1				
14	2	121254-77570	HOLDER ASSY, BRUSH	1	1	1	1				
15	3	121254-77580	BRUSH (-)	2	2	2	2				
16	3	121254-77590	SPRING	4	4	4	4				
17	2	121254-77600	BEARING ASSY, CENTER	1	1	1	1				
18	3	121254-77610	SEAL, OIL	1	1	1	1				
20	2	121254-77640	SHAFT ASSY, GEAR	1	1	1	1				
22	2	121254-77661	PINION ASSY	1	1	1	1				
23	2	121254-77670	SWITCH, MAGNETIC	1	1	1	1				
24	2	121254-77681	CASE ASSY, GEAR	1	1	1	1				
25	2	121254-77700	LEVER SET, SHIFT	1	1	1	1				
28	2	121254-77730	DUST COVER SET	1	1	1	1				
29	2	121254-77770	BOLT, THROUGH	2	2	2	2				
30	2	121254-77780	SCREW 5	2	2						
30-1	2	26450-050122	BOLT, M5X 12	2	2	2	2				N
		(A=*1988.11)	(B=*1988.11)								
31	2	121254-77790	SCREW 4	2	2	2	2				
32	2	121254-77810	COVER, TERMINAL	1	1	1	1				
33	2	26106-060302	BOLT, M6X 30 PLATED	3	3	3	3				
34	2	26106-060452	BOLT, M6X 45 PLATED	2	2	2	2				
35	1	124550-77030	COVER, TERMINAL	1	1	1	1				
36	1	26116-120302	BOLT, M12X 30 PLATED	2	2	2	2				

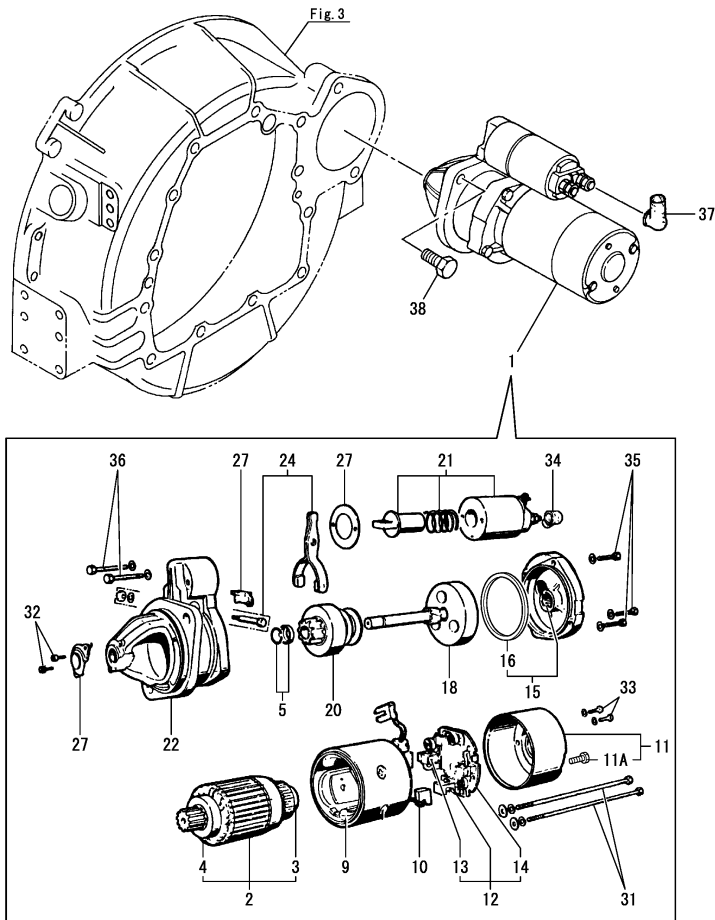
Remarks

*Parts of this figure are executed to the following engine number.
 *(A)=E11276 (B)=E23259 (C)=E25030
 *(D)=E52901
 (1)Please refer to Fig.67 since above-mentioned engine number.

Fig.67. STARTING MOTOR

(A)=4LH-TE
(B)=4LH-HTE
(C)=4LH-DTE

(D)=4LH-STE
(E)=
(F)=



No.	Lev.	Parts No.	Description	Q'ty						I	R
				(A)	(B)	(C)	(D)	(E)	(F)		
1	1	121254-77019	STARTING MOTOR(DC12V	1	1	1	1				
2	2	121254-77402	ARMATURE ASSY	1	1	1	1				
3	3	121254-77410	BALL BEARING	1	1	1	1				
4	3	121254-77420	BALL BEARING	1	1	1	1				
5	2	121254-77480	STOPPER KIT, PINION	1	1	1	1				
9	2	121254-77521	COIL ASSY, FIELD	1	1	1	1				
10	3	121254-77541	BRUSH (+)	2	2	2	2				
11	2	121254-77550	COVER ASSY, REAR	1	1	1	1				
11A	3	121254-77560	BOLT	1	1	1	1				
12	2	121254-77571	HOLDER ASSY	1	1	1	1				
13	3	121254-77581	BRUSH, -	2	2	2	2				
14	3	121254-77590	SPRING	4	4	4	4				
15	2	121254-77600	BEARING ASSY, CENTER	1	1	1	1				
16	3	119129-77210	SEAL, OIL	1	1	1	1				
18	2	121254-77640	SHAFT ASSY, GEAR	1	1	1	1				
20	2	121254-77661	PINION ASSY	1	1	1	1				
21	2	121254-77671	SWITCH, MAGNETIC	1	1	1	1				
22	2	121254-77681	CASE ASSY, GEAR	1	1	1	1				
24	2	121254-77700	LEVER SET, SHIFT	1	1	1	1				
27	2	121254-77730	DUST COVER SET	1	1	1	1				
31	2	121254-77770	BOLT, THROUGH	2	2	2	2				
32	2	26450-050122	BOLT, M5X 12	2	2	2	2				
33	2	121254-77790	SCREW 4	2	2	2	2				
34	2	121254-77810	COVER, TERMINAL	1	1	1	1				
35	2	26106-060302	BOLT, M6X 30 PLATED	3	3	3	3				
36	2	26106-060452	BOLT, M6X 45 PLATED	2	2	2	2				
37	1	124550-77030	COVER, TERMINAL	1	1	1	1				
37-1	1	119773-77030	COVER	1	1	1	1				R
		(A=EXXXXX) (B=EXXXXX) (C=EXXXXX) (D=EXXXXX)									
38	1	26116-120302	BOLT, M12X 30 PLATED	2	2	2	2				

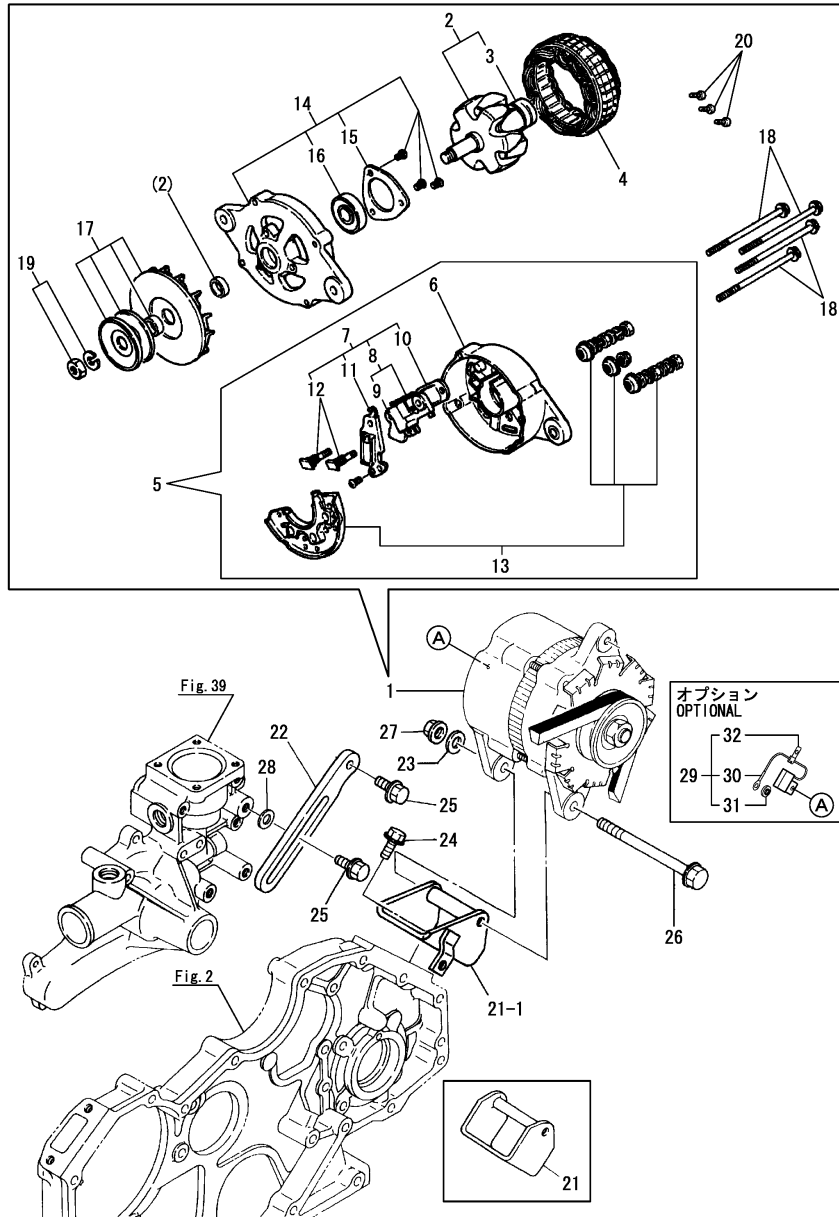
Remarks

*Parts of this figure are executed since the following engine number.
 *(A)=E11277 (B)=E23260 (C)=E25031
 *(D)=E52902
 *Please refer to Fig.66 before above-mentioned engine number.

Fig.68. GENERATOR

(A)=4LH-TE
(B)=4LH-HTE
(C)=4LH-DTE

(D)=4LH-STE
(E)=
(F)=



No.	Lev.	Parts No.	Description	Q'ty						I	R
				(A)	(B)	(C)	(D)	(E)	(F)		
1	1	129772-77200	GENERATOR(12V-55A)	1	1	1	1				
1-1	1	128271-77200	GENERATOR, 12V-60A	1	1	1	1				R 1
		(A=EXXXXX) (B=EXXXXX) (C=EXXXXX) (D=EXXXXX)									
2	2	XL15571001	ROTOR ASSY	1	1	1	1				
3	3	X6201SD	BALL BEARING	1	1	1	1				
4	2	XL15542001	STATOR ASSY	1	1	1	1				
5	2	XL15553002	COVER ASSY, REAR	1	1	1	1				
6	3	XL22553012	COVER, REAR	1	1	1	1				
7	3	XL1556315	REGULATOR ASSY,BRUSH	1	1	1	1				
8	4	XL2255330	BRUSH ASSY	1	1	1	1				
9	5	XL12013262	BRUSH	2	2	2	2				
10	4	XTR1Z63	REGULATOR	1	1	1	1				
11	4	XL2251318	CONDENSER ASSY	1	1	1	1				
12	4	XL13513134	BOLT M5	2	2	2	2				
13	3	XL2253320	DIODE ASSY	1	1	1	1				
14	2	XL2253400	FRONT COVER ASSY	1	1	1	1				
15	3	XL15014042	BEARING RETAINER	1	1	1	1				
16	3	X6203BM	BALL BEARING	1	1	1	1				
17	2	XL22555001	PULLEY ASSY	1	1	1	1				
18	2	XL15018015	BOLT, THROUGH	4	4	4	4				
19	2	XL1501810	NUT ASSY, PULLEY	1	1	1	1				
20	2	XL15028001	SCREW ASSY	1	1	1	1				
21	1	119000-77250	BRACKET, GENERATOR	1	1	1					
21-1	1	119171-77250	BRACKET, GENERATOR	1	1	1	1				N
		(A=*1992.07) (B=*1992.07) (C=E21660)									
21-2	1	119175-77270	BRACKET, GENERATOR	1	1	1	1				R
		(A=E11227) (B=E22868) (C=E24598) (D=E52516)									
22	1	121522-77330	ADJUSTER	1	1	1					
22-1	1	119171-77330	ADJUSTER, BELT	1	1	1	1				R
		(A=*1991.04) (B=*1991.04) (C=*1991.04)									
23	1	22137-100000	WASHER, 10	1	1	1	1				
24	1	26106-080202	BOLT, M8X 20 PLATED	2	2	2					
24-1	1	26106-080202	BOLT, M8X 20 PLATED	4	4	4	4				K
		(A=*1992.07) (B=*1992.07) (C=*1992.07)									
25	1	26106-080202	BOLT, M8X 20 PLATED	2	2	2					
25-1	1	119005-77350	BOLT, M8X25	2	2	2	2				N
		(A=*1991.04) (B=*1991.04) (C=*1991.04)									
26	1	26116-101202	BOLT, M10X120 PLATED	1	1	1	1				
27	1	26366-100002	NUT, M10	1	1	1	1				
28	1	106100-55800	WASHER	1	1	1					W
		(A=*1987.10) (B=*1987.10)									
28-1	1	121236-77340	SPACER	1	1	1	1				N
		(A=*1991.02) (B=*1991.02) (C=*1991.02)									
29	1	129772-77250	CONDENSER ASSY	1	1	1	1				W
		(A=E11027) (B=E22073) (C=E23458) (D=E51301)									
30	2	129772-77260	CONDENSER	1	1	1	1				W
		(A=E11027) (B=E22073) (C=E23458) (D=E51301)									
31	2	129772-77270	BUSH	2	2	2	2				W
		(A=E11027) (B=E22073) (C=E23458) (D=E51301)									
32	2	129772-77280	CLAMP	1	1	1	1				W
		(A=E11027) (B=E22073) (C=E23458) (D=E51301)									

Remarks

(1)Component parts:Refer to Fig.(68A)

N:Old $\frac{Yes}{No}$ New, Q:Old $\frac{No}{Yes}$ New, R:Old $\frac{Yes}{Yes}$ New, S:Old $\frac{No}{No}$ New, W:Add, Z:Discontinued, F:Interchangeable by set, K:Q'ty Change

Fig.96. (68A)GENERATOR COMPONENT PARTS

(A)=4LH-TE
 (B)=4LH-HTE
 (C)=4LH-DTE

(D)=4LH-STE
 (E)=
 (F)=

No.	Lev.	Parts No.	Description	Qty						I	R
				(A)	(B)	(C)	(D)	(E)	(F)		
1	1	128271-77200	GENERATOR, 12V-60A	1	1	1	1				
2	2	123900-77700	ROTOR ASSY	1	1	1	1				
3	2	123900-77730	BRACKET ASSY	1	1	1	1				
4	2	128271-77730	BRACKET(STATOR+REGUL	1	1	1	1				
5	2	128271-77740	PULLEY	1	1	1	1				
6	2	128271-77750	SCREW KIT	1	1	1	1				
7	2	129900-77810	BEARING, BALL	1	1	1	1				

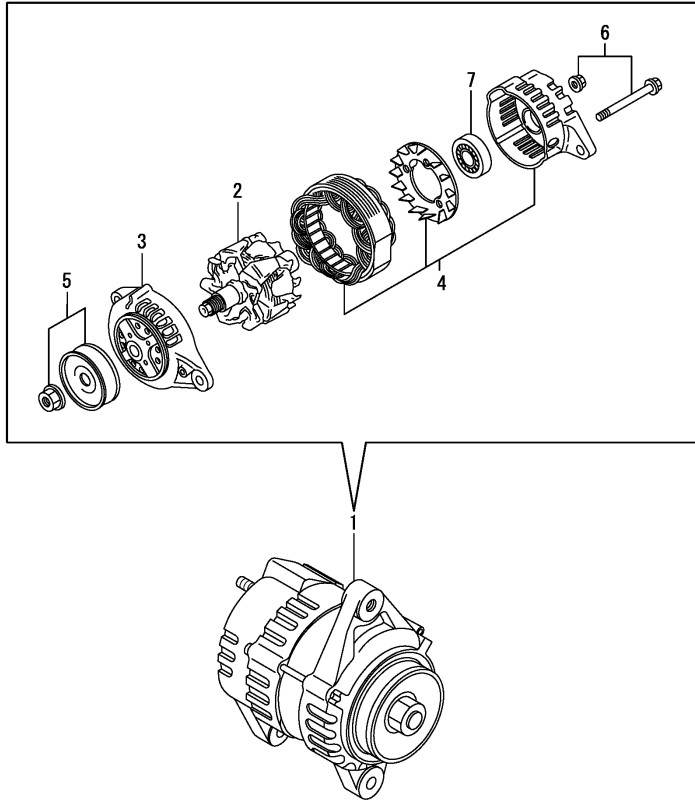
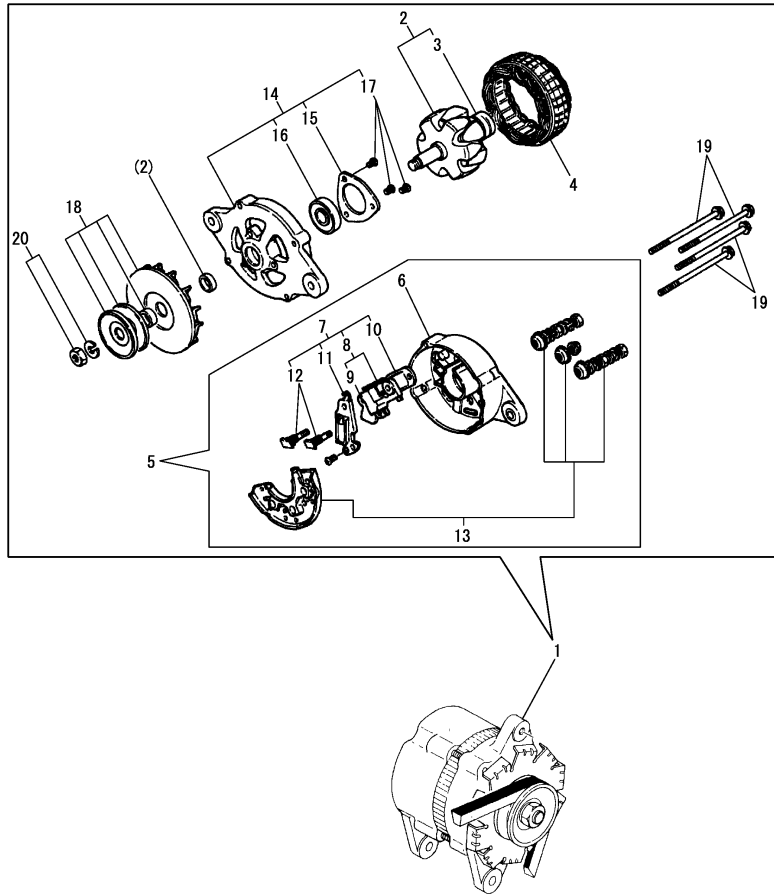


Fig.69. GENERATOR(80A,OPTIONAL)(UP TO EXXXXX)

(A)=4LH-TE
(B)=4LH-HTE
(C)=4LH-DTE

(D)=4LH-STE
(E)=
(F)=



No.	Lev.	Parts No.	Description	Q'ty						I	R
				(A)	(B)	(C)	(D)	(E)	(F)		
1	1	129470-77200	GENERATOR	1	1	1					
1-1	1	119573-77200 (A=E10853)	GENERATOR (12V-80A) (B=E21660) (C=E22589)	1	1	1	1				N
1-2	1	119573-77201 (A=E11027)	ALTERNATER(12V-80A) (B=E22073) (C=E23458) (D=E51301)	1	1	1	1				N 1
2	2	XL1805100	ROTOR ASY	1	1	1	1				
3	3	X6201NC	BALL BEARING	1	1	1	1				
4	2	XL1801200	STATOR ASY	1	1	1	1				
5	2	XL1809300	COVER ASSY, REAR	1	1	1	1				
6	3	XL1805301	COVER, REAR	1	1	1	1				
7	3	XL1556315	REGULATOR ASSY,BRUSH	1	1	1	1				
8	4	XL2255320	DIODE L225-5320	1	1	1	1				
9	5	XL1801335	BRUSH	2	2	2	2				
10	4	XTR1Z63	REGULATOR	1	1	1	1				
11	4	XL2251318	CONDENCER ASSY	1	1	1	1				
12	4	XL13513134	BOLT M5	2	2	2	2				
13	3	XL1808320	DIODE ASY	1	1	1	1				
14	2	XL23534011	COVER ASSY, FRONT	1	1	1	1				
15	3	XL150M14041	RETAINER	1	1	1	1				
16	3	X6303BM	BALL BEARING 6303B	1	1	1	1				
17	3	XL15028001	SCREW ASSY	1	1	1	1				
18	2	XL1805500	PULLEY ASSY	1	1	1	1				
19	2	XL18018015	THROUGH BOLT	4	4	4	4				
20	2	XL1501810	NUT ASSY, PULLEY	1	1	1	1				

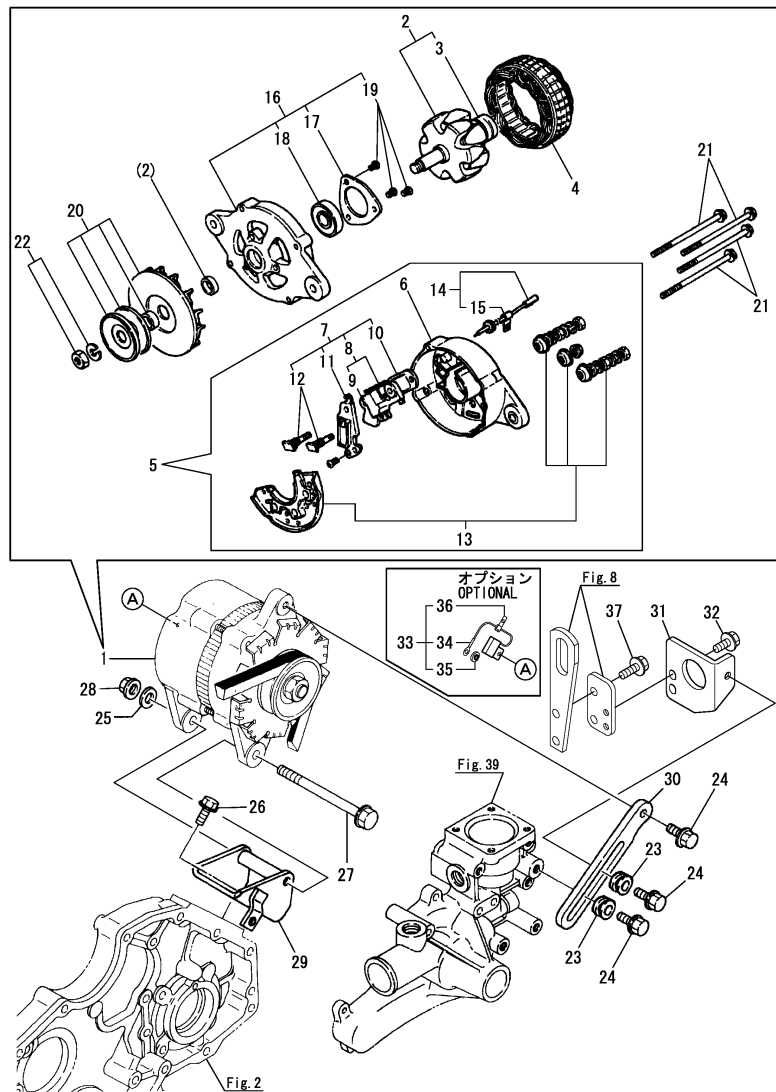
Remarks

*Parts of this figure are executed to the following engine number.
 *(A)=E11027 (B)=E22073 (C)=E23458
 *(D)=E51301
 (1)Please refer to Fig.70 since above-mentioned engine number.

Fig.70. GENERATOR(80A,OPTIONAL)(FROM EXXXXX)

(A)=4LH-TE
(B)=4LH-HTE
(C)=4LH-DTE

(D)=4LH-STE
(E)=
(F)=



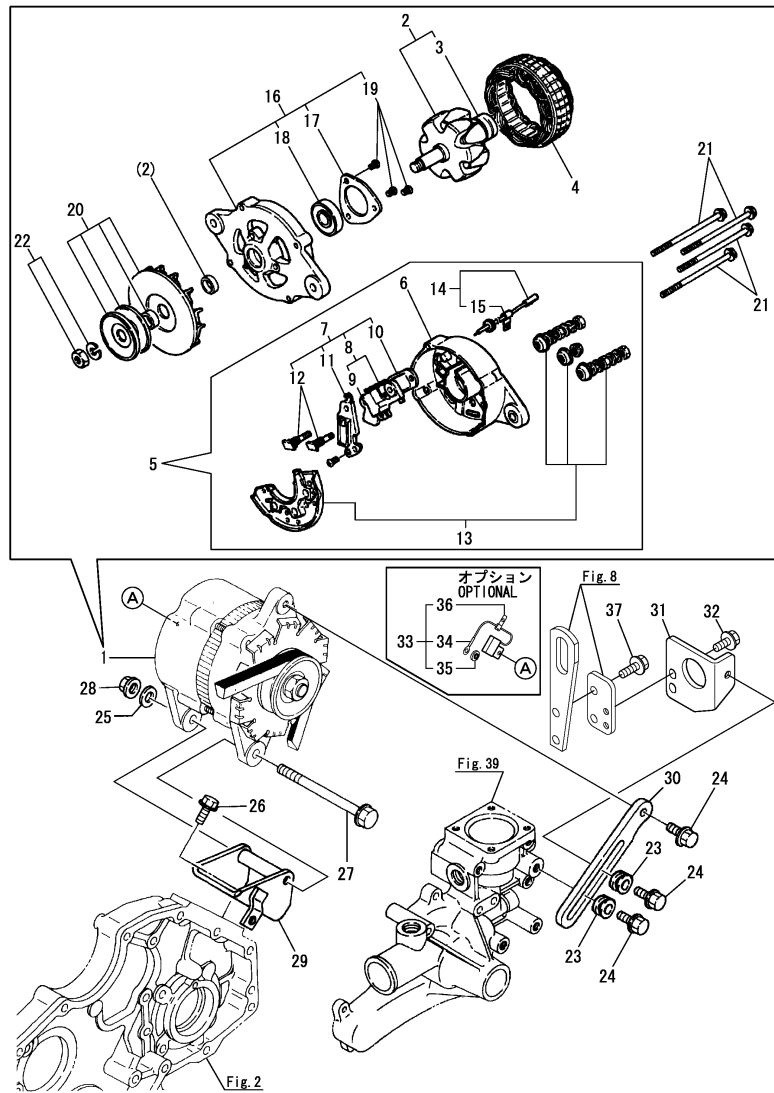
No.	Lev.	Parts No.	Description	Qty						I	R
				(A)	(B)	(C)	(D)	(E)	(F)		
1	1	119573-77201 (A=E11027) (B=E22073) (C=E23458) (D=E51301)	ALTERNATER(12V-80A)	1	1	1	1				W
2	2	XL180G61000	ROTOR ASSY	1	1	1	1				
3	3	119129-77320	BALL BEARING	1	1	1	1				
4	2	XL180120000	STATOR ASSY	1	1	1	1				
5	2	XL180G63006	COVER ASSY, REAR	1	1	1	1				
6	3	XL180G13012	COVER, REAR	1	1	1	1				
7	3	XL180G43150	BRUSH ASSY,REGULATOR	1	1	1	1				
8	4	XL155G1330	BRUSH ASSY	1	1	1	1				
9	5	XL225G1325	BRUSH SET	2	2	2	2				
10	4	124080-77390	REGULATOR ASSY	1	1	1	1				
11	4	XL225431800	CONDENSER ASSY	1	1	1	1				
12	4	124080-77520	BOLT M5	2	2	2	2				
13	3	XL180832000	DIODE ASSY	1	1	1	1				
14	3	119129-77250	WIRE, LEAD	1	1	1	1				
15	4	119129-77260	CLAMP	1	1	1	1				
16	2	XL235340110	COVER ASSY, FRONT	1	1	1	1				
17	3	XL150M14041	RETAINER	1	1	1	1				
18	3	X6303BM0000	BEARING, BALL	1	1	1	1				
19	3	119129-77930	SCREW KIT	1	1	1	1				
20	2	XL180G85001	PULLEY ASSY	1	1	1	1				
21	2	119129-77890	BOLT, THROUGH	4	4	4	4				
22	2	119129-77900	NUT ASSY, PULLEY	1	1	1	1				
23	1	121236-77340	SPACER	1	1	1	1				
23-1	1	121236-77340 (A=E11219) (B=E22835) (C=E24537) (D=E52458)	SPACER	2	2	2	2				K
24	1	119005-77350	BOLT, M8X25	2	2	2	2				
24-1	1	119005-77350 (A=E11219) (B=E22835) (C=E24537) (D=E52458)	BOLT, M8X25	3	3	3	3				K
25	1	22137-100000	WASHER, 10	1	1	1	1				
26	1	26106-080202	BOLT, M8X 20 PLATED	4	4	4	4				
27	1	26116-101202	BOLT, M10X120 PLATED	1	1	1	1				
28	1	26366-100002	NUT, M10	1	1	1	1				
28-1	1	26306-100002 (A=EXXXXX) (B=EXXXXX) (C=EXXXXX) (D=EXXXXX)	NUT, M10	1	1	1	1				N
29	1	119171-77250	BRACKET, GENERATOR	1	1	1	1				
29-1	1	119175-77270 (A=E11227) (B=E22868) (C=E24598) (D=E52516)	BRACKET, GENERATOR	1	1	1	1				R
30	1	119171-77330	ADJUSTER, BELT	1	1	1	1				
31	1	119172-77150 (A=E11219) (B=E22835) (C=E24537) (D=E52458)	SUPPORT	1	1	1	1				W
32	1	26106-080142 (A=E11219) (B=E22835) (C=E24537) (D=E52458)	BOLT, M8X 14 PLATED	2	2	2	2				W
33	1	119573-77250 (A=E11027) (B=E22073) (C=E23458) (D=E51301)	CONDENSER ASSY	1	1	1	1				W
34	2	119573-77260 (A=E11027) (B=E22073) (C=E23458) (D=E51301)	CONDENSER	1	1	1	1				W
35	2	119573-77270 (A=E11027) (B=E22073) (C=E23458) (D=E51301)	BUSH	2	2	2	2				W
36	2	129772-77280 (A=E11027) (B=E22073) (C=E23458) (D=E51301)	CLAMP	1	1	1	1				W

Remarks
*Parts of this figure are executed since the following engine number.
*(A)=E11028 (B)=E22074 (C)=E23459
*(D)=51302
*Please refer to Fig.69 before above -mentioned engine number.

Fig.70. GENERATOR(80A,OPTIONAL)(FROM EXXXXX)

(A)=4LH-TE
(B)=4LH-HTE
(C)=4LH-DTE

(D)=4LH-STE
(E)=
(F)=



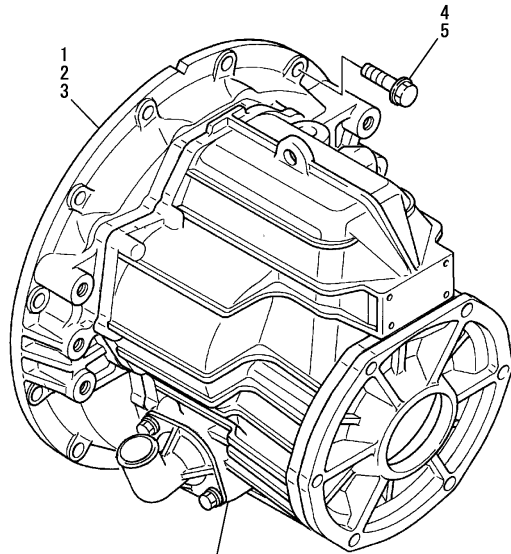
No.	Lev.	Parts No.	Description	Q'ty						I	R
				(A)	(B)	(C)	(D)	(E)	(F)		
37	1	26106-100252	BOLT, M10X 25 PLATED	2	2	2	2			W	
		(A=EXXXXX)	(B=EXXXXX)	(C=EXXXXX)	(D=EXXXXX)						

Remarks
 *Parts of this figure are executed since the following engine number.
 *(A)=E11028 (B)=E22074 (C)=E23459
 *(D)=51302
 *Please refer to Fig.69 before above-mentioned engine number.

Fig.71. CLUTCH

(A)=4LH-TE
(B)=4LH-HTE
(C)=4LH-DTE

(D)=4LH-STE
(E)=
(F)=



インナーパーツ : FIG. 86~94参照
COMPONENT PARTS:REFER TO FIG. 86~94.

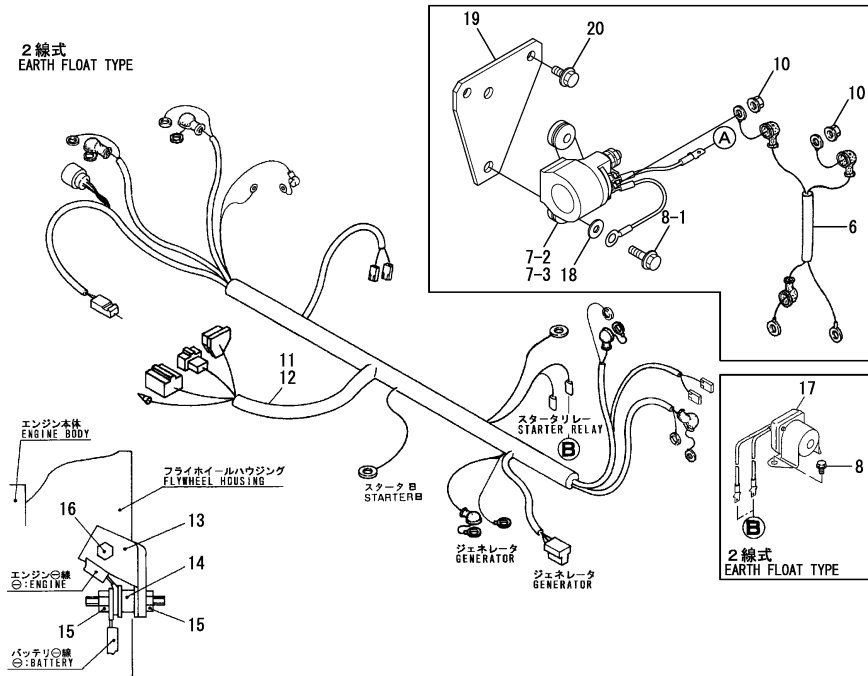
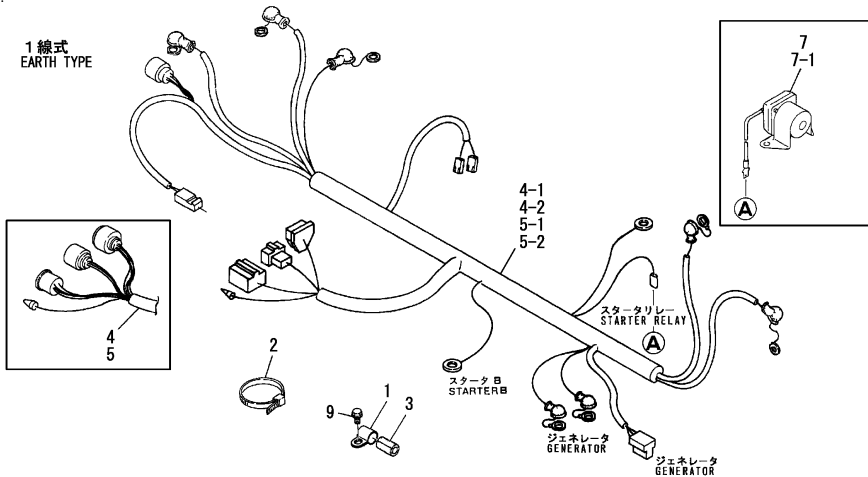
No.	Lev.	Parts No.	Description	Q'ty						I	R
				(A)	(B)	(C)	(D)	(E)	(F)		
1	1	119171-81100	CLUTCH ASSY, 1.46	1	1	1					
2	1	119171-81110	CLUTCH ASSY, 2.07	1	1	1					
3	1	119171-81120	CLUTCH, KM5A I=2.57	1	1	1					
4	1	26106-100302	BOLT, M10X 30 PLATED	12	12	12					
5	1	26106-100252	BOLT, M10X 25 PLATED						12		W 1
(D=E50367)											

Remarks
(1)Hurth clutch, Optional.

Fig.73. WIRE HARNESS

(A)=4LH-TE
(B)=4LH-HTE
(C)=4LH-DTE

(D)=4LH-STE
(E)=
(F)=



Remarks
(1)Optional : Earth float type.
(2)Interchangeable by simultaneous replacement with No.7-2,8-1,18,19, 20.

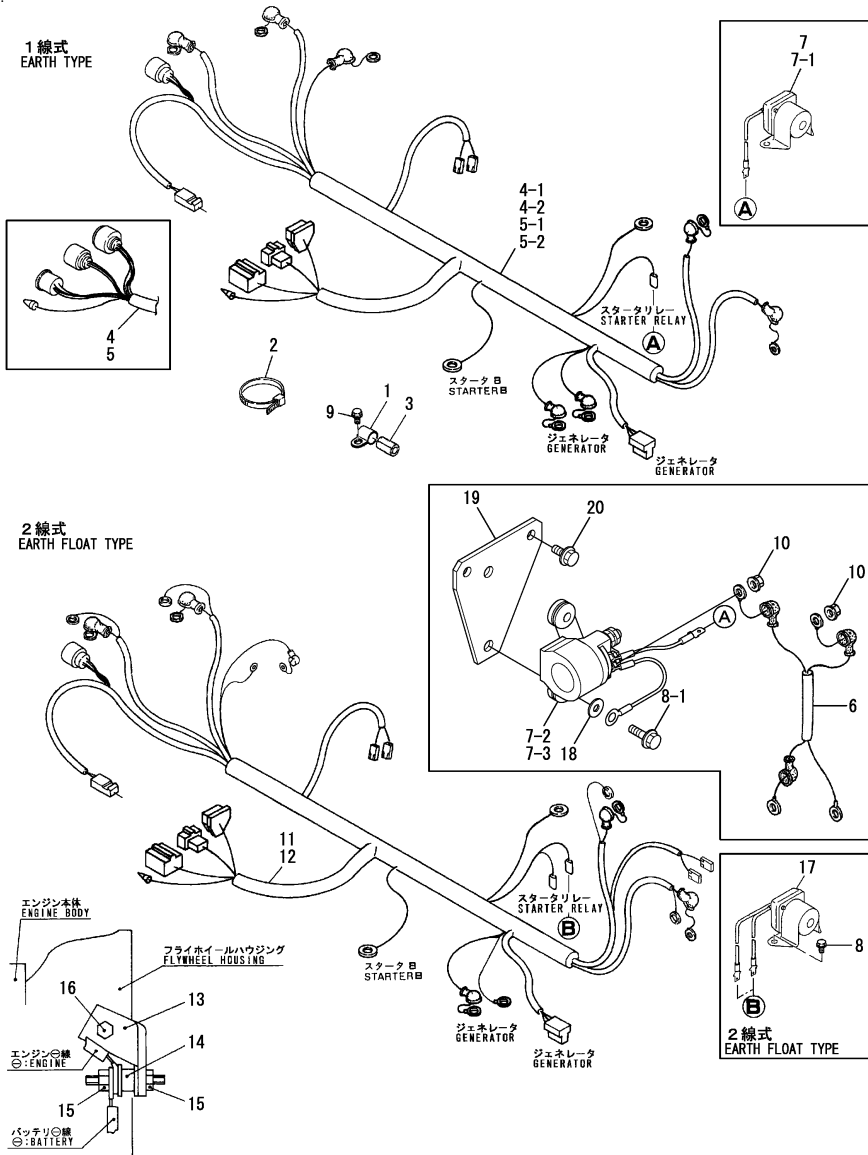
No.	Lev.	Parts No.	Description	Qty						I	R
				(A)	(B)	(C)	(D)	(E)	(F)		
1	1	124770-49310	RETAINER	1	1	1	1				
1-1	1	124070-77950	CLAMP			1	1				R
			(C=E24374) (D=E52295)								
2	1	121750-59890	BAND, 140	1	1	1	1				
3	1	123682-77710	PROTECTOR	1	1	1	1				
3-1	1	124770-77940	PROTECTOR			1	1				R
			(C=E24374) (D=E52295)								
4	1	119171-77811	HARNESS, WIRE	1	1						
4-1	1	119171-77812	HARNESS, WIRE	1	1						S
			(A=E10677) (B=E21417)								
4-2	1	119171-77813	HARNESS, WIRE	1	1						R
			(A=E11034) (B=E22194)								
4-3	1	119171-77814	HARNESS, WIRE	1	1						S
			(A=EZZZZZ) (B=EZZZZZ)								
5	1	119173-77810	HARNESS, WIRE					1			
5-1	1	119173-77811	HARNESS, WIRE			1	1				S
			(C=E21741)								
5-2	1	119173-77812	HARNESS, WIRE			1	1				R
			(C=E23675) (D=E51614)								
5-3	1	119173-77813	HARNESS, WIRE			1	1				S
			(C=EZZZZZ) (D=EZZZZZ)								
6	1	119171-77850	HARNESS, WIRE	1	1	1	1				
7	1	129100-77910	RELAY, MAGNETIC	1	1	1	1				
7-1	1	129490-77910	RELAY, STARTER	1	1	1	1				N
			(A=E11139) (B=E22566) (C=E24189) (D=E52090)								
7-2	1	119575-77510	RELAY, STARTER	1	1	1	1				F 2
			(A=EZZZZZ) (B=EZZZZZ) (C=EZZZZZ) (D=EZZZZZ)								
7-3	1	119575-77511	RELAY, STARTER	1	1	1	1				N
			(A=EXXXXX) (B=EXXXXX) (C=EXXXXX) (D=EXXXXX)								
8	1	26106-060122	BOLT, M6X 12 PLATED	2	2	2	2				
8-1	1	26106-060202	BOLT, M6X 20 PLATED	2	2	2	2				F 2
			(A=EZZZZZ) (B=EZZZZZ) (C=EZZZZZ) (D=EZZZZZ)								
9	1	26106-080162	BOLT, M8X 16 PLATED	1	1	1	1				
10	1	26756-060002	NUT, LOCK M6	2	2	2	2				
11	1	119171-77820	HARNESS, WIRE	1	1						W 1
			(A=E10758) (B=E21542)								
12	1	119173-77820	HARNESS, WIRE			1	1				W 1
			(C=E22232)								
13	1	129590-59200	RETAINER, PIPE	1	1	1	1				W 1
			(A=E10758) (B=E21542) (C=E22232)								
14	1	194555-62750	RUBBER, ABSORBER	1	1	1	1				W 1
			(A=E10758) (B=E21542) (C=E22232)								
15	1	26716-080002	NUT, M8	2	2	2	2				W 1
			(A=E10758) (B=E21542) (C=E22232)								
16	1	26106-080162	BOLT, M8X 16 PLATED	2	2	2	2				W 1
			(A=E10758) (B=E21542) (C=E22232)								
17	1	129570-77920	RELAY, STARTER	1	1	1	1				W 1
			(A=E10758) (B=E21542) (C=E22232)								
18	1	183350-55130	WASHER	2	2	2	2				W 2
			(A=EZZZZZ) (B=EZZZZZ) (C=EZZZZZ) (D=EZZZZZ)								
19	1	119575-77200	BRACKET, RELAY	1	1	1	1				W 2

Fig.73. WIRE HARNESS

(A)=4LH-TE
(B)=4LH-HTE
(C)=4LH-DTE

(D)=4LH-STE
(E)=
(F)=

No.	Lev.	Parts No.	Description	Q'ty						I	R			
				(A)	(B)	(C)	(D)	(E)	(F)					
20	1	26106-060142	BOLT, M6X 14 PLATED	(A=EZZZZZ)	(B=EZZZZZ)	(C=EZZZZZ)	(D=EZZZZZ)							
								2	2	2	2		W	2
				(A=EZZZZZ)	(B=EZZZZZ)	(C=EZZZZZ)	(D=EZZZZZ)							

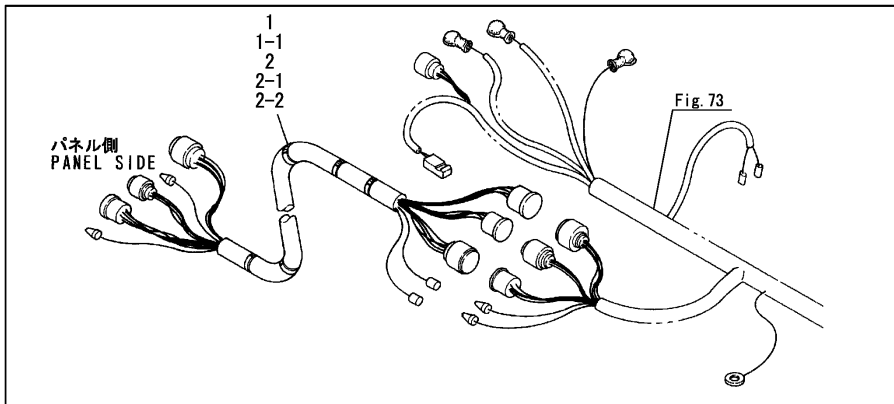
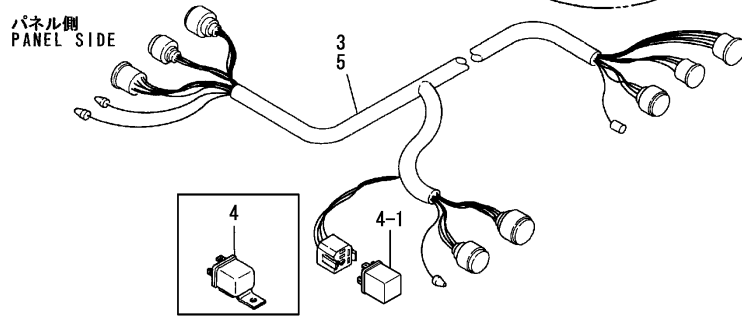
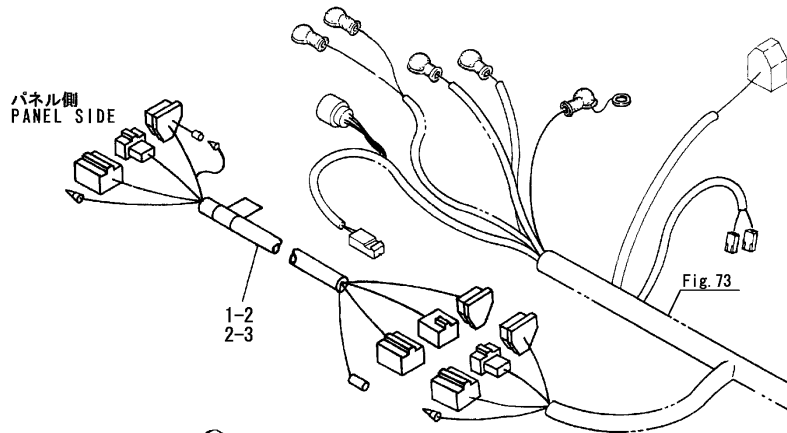


Remarks
 (1)Optional : Earth float type.
 (2)Interchangeable by simultaneous replacement with No.7-2,8-1,18,19, 20.

Fig.74. EXTENSION WIRE(OPTIONAL)

(A)=4LH-TE
(B)=4LH-HTE
(C)=4LH-DTE

(D)=4LH-STE
(E)=
(F)=



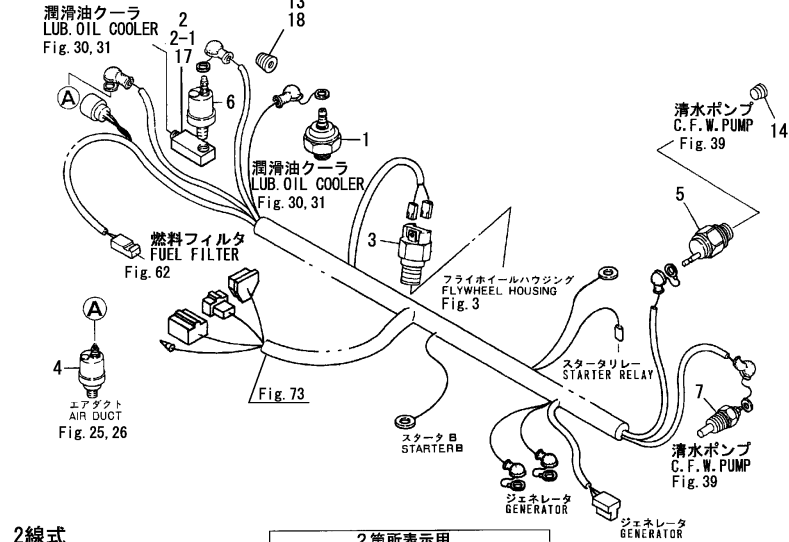
No.	Lev.	Parts No.	Description	Q'ty						I	R
				(A)	(B)	(C)	(D)	(E)	(F)		
1	1	119171-77700	CORD, EXTENSION 6000	1	1						
1-1	1	119171-77701	HARNESS, WIRE 6M	1	1	1					N
		(A=*1988.03) (B=*1988.03)									
1-2	1	129574-77720	HARNESS, WIRE 6M	1	1	1	1				S
		(A=E10677) (B=E21417) (C=E21741)									
2	1	127610-77710	HARNESS, WIRE 3.8M	1	1						
2-1	1	119171-77710	HARNESS, WIRE 4M	1	1	1					N
		(A=*1988.03) (B=*1988.03)									
2-2	1	127610-77710	HARNESS, WIRE 3.8M	1	1	1					N
		(A=E10639) (B=E21288) (C=E21618)									
2-3	1	129574-77710	HARNESS, WIRE 4M	1	1	1	1				S
		(A=E10677) (B=E21417) (C=E21741)									
3	1	119171-77980	HARNESS, WIRE	1	1	1	1				
4	1	124617-91850	RELAY	1	1	1	1				
4-1	1	119773-91850	RELAY	1	1	1	1				R
		(A=E11269) (B=E23165) (C=E24888) (D=E52738)									
5	1	129574-77980	HARNESS, WIRE	1	1	1	1				W
		(A=*1993.01) (B=*1993.01) (C=*1993.01)									

Fig.75. SENSOR

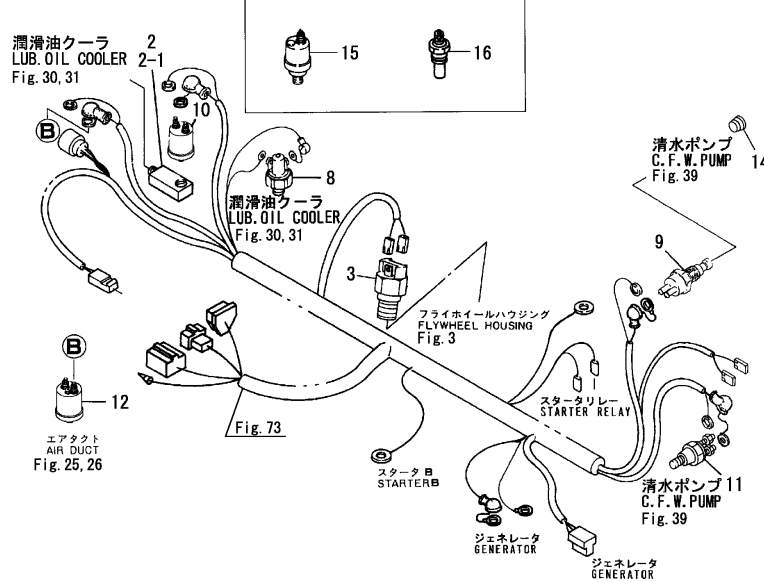
(A)=4LH-TE
(B)=4LH-HTE
(C)=4LH-DTE

(D)=4LH-STE
(E)=
(F)=

1線式
EARTH



2線式
EARTH FLOAT TYPE



No.	Lev.	Parts No.	Description	Q'ty						I	R
				(A)	(B)	(C)	(D)	(E)	(F)		
1	1	124060-39451	SWITCH, 0.2KG	1	1	1	1				
1-1	1	124060-39452	SWITCH, 0.2KG	1	1	1	1				N
		(A=E11269) (B=E23165) (C=E24888) (D=E52738)									
2	1	123482-39680	DAMPER	1	1						
2-1	1	123482-39670	DAMPER	1	1						S
		(A=*1988.04) (B=*1988.04)									
3	1	128170-91160	SENSOR	1	1	1	1				
4	1	124413-91300	SENSOR	1	1	1	1				
4-1	1	124413-91301	SENSOR	1	1	1	1				N
		(A=*2001.04) (B=*2001.04) (C=*2001.04) (D=*2001.04)									
5	1	127610-91350	SWITCH, 95	1	1	1	1				
6	1	144626-91560	SENSOR	1	1	1	1				
6-1	1	119773-91500	SENDER	1	1	1	1				N
		(A=E11028) (B=E22082) (C=E23489) (D=E51377)									
6-2	1	119773-91501	SENSOR	1	1	1	1				N
		(A=E11312) (B=E23308) (C=E25107) (D=E52973)									
7	1	144626-91570	SENDER UNIT	1	1	1	1				
8	1	126630-91591	SWITCH,OIL PRESSURE	1	1	1	1				W 1
		(A=E10758) (B=E21542) (C=E22232)									
9	1	126630-91350	SWITCH, THERMO	1	1	1	1				W 1
		(A=E10758) (B=E21542) (C=E22232)									
10	1	126630-91560	SENDER UNIT	1	1	1	1				W 1
		(A=E10758) (B=E21542) (C=E22232)									
11	1	126630-91570	SENDER UNIT	1	1	1	1				W 1
		(A=E10758) (B=E21542) (C=E22232)									
12	1	46150-504360	SENSOR	1	1	1	1				W 1
		(A=E10758) (B=E21542) (C=E22232)									
13	1	23876-030000	PLUG, R03	1	1						
13-1	1	23876-020000	PLUG, R02	1	1						S
		(A=*1988.04) (B=*1988.04)									
14	1	23876-030000	PLUG, R03	1	1	1	1				
15	1	129574-91560	SENSOR	1	1	1	1				W
		(A=E10713) (B=E21467) (C=E22046)									
15-1	1	129574-91561	SENSOR	1	1	1	1				N
		(A=EXXXXX) (B=EXXXXX) (C=EXXXXX) (D=EXXXXX)									
16	1	129574-91570	SENSOR	1	1	1	1				W
		(A=E10713) (B=E21467) (C=E22046)									
17	1	123482-39680	DAMPER					1	1		
18	1	23876-030000	PLUG, R03					1	1		

Remarks

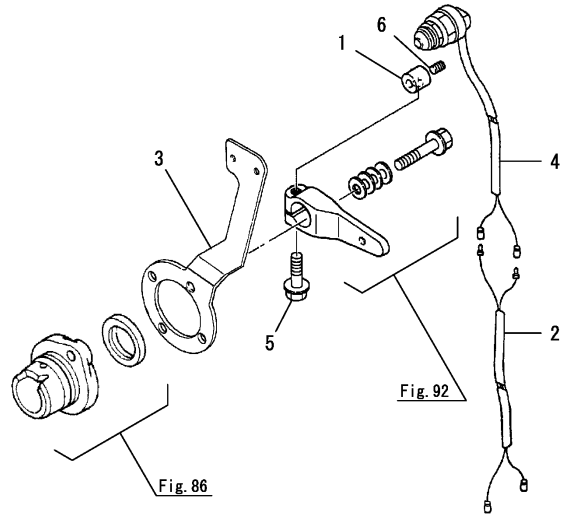
(1)Optional : Earth float type.

N:Old $\xrightarrow{\text{Yes}}$ New, Q:Old $\xrightarrow{\text{No}}$ New, R:Old $\xrightarrow{\text{Yes}}$ New, S:Old $\xrightarrow{\text{No}}$ New, W:Add, Z:Discontinued, F:Interchangeable by set, K:Q'ty Change

Fig.76. SAFETY SWITCH(OPTIONAL)

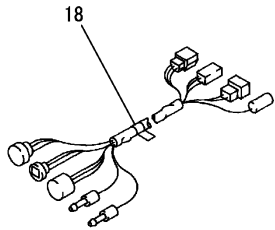
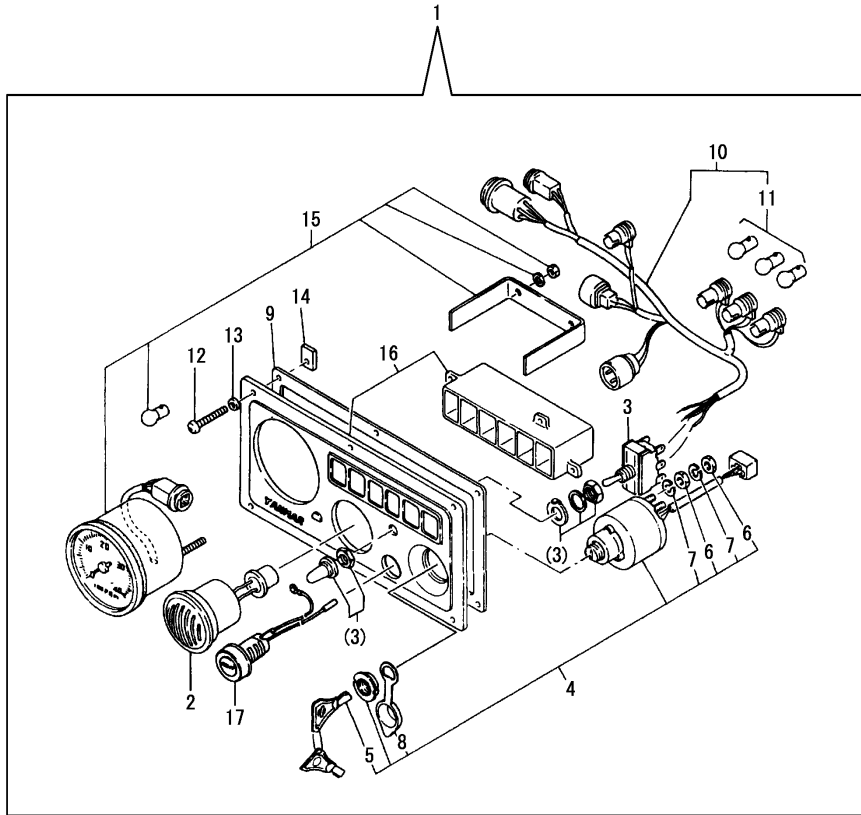
(A)=4LH-TE
(B)=4LH-HTE
(C)=4LH-DTE

(D)=4LH-STE
(E)=
(F)=



No.	Lev.	Parts No.	Description	Q'ty						I	R
				(A)	(B)	(C)	(D)	(E)	(F)		
1	1	177074-06300	CONTACT	1	1	1					
2	1	177074-06350	HARNESS, WIRE	1	1	1					
3	1	177074-06600	STAY	1	1	1					
4	1	120270-77101	SWITCH, SAFETY	1	1	1					
5	1	26106-080302	BOLT, M8X 30 PLATED	1	1	1					
6	1	26979-040082	SCREW, M4X 8	1	1	1					

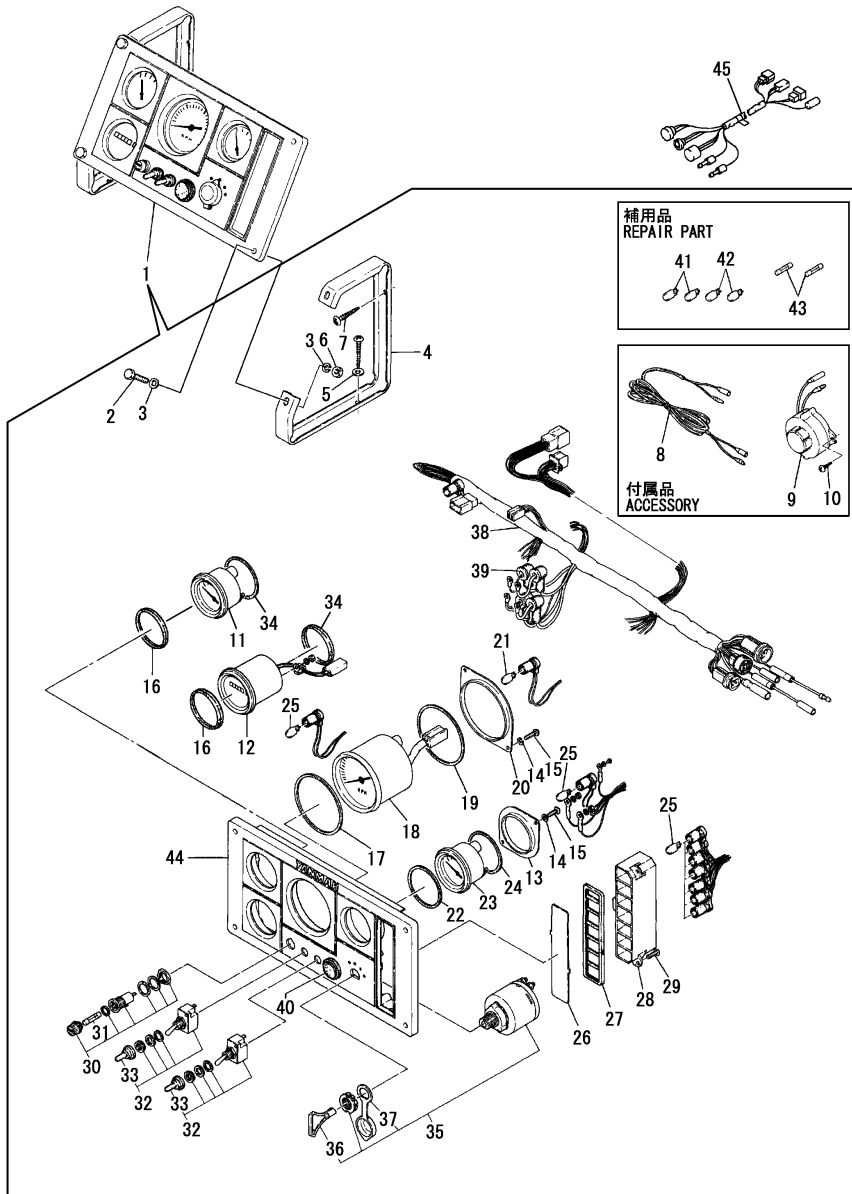
Fig.77. INSTRUMENT PANEL(B-TYPE,OPTIONAL)



No.	Lev.	Parts No.	Description	Q'ty						I	R
				(A)	(B)	(C)	(D)	(E)	(F)		
1	1	124411-91190	PANEL ASSY	1	1	1	1				
2	2	104271-91351	BUZZER	1	1	1	1				
3	2	128170-91310	SWITCH	1	1	1	1				
4	2	127412-91250	SWITCH, KEY	1	1	1	1				
5	3	123482-91291	KEY	1	1	1	1				
6	3	26716-050002	NUT, M5	10	10	10	10				
7	3	22217-050000	WASHER, SPRING 5	10	10	10	10				
8	3	127620-91820	COVER	1	1	1	1				
9	2	128170-91020	GASKET	1	1	1	1				
10	2	128170-91031	HARNES, WIRE	1	1	1	1				
11	3	194151-55820	BULB, 12V3.4W	3	3	3	3				
12	2	128170-91810	SCREW, M5X35	6	6	6	6				
13	2	128170-91820	WASHER, 5	6	6	6	6				
14	2	128170-91830	NUT, M5	6	6	6	6				
15	2	128696-91100	TACHOMETER	1	1	1	1				
16	2	124411-91010	BODY, PANEL	1	1	1	1				
17	2	129470-91190	SWITCH, STOP	1	1	1	1				
18	1	129574-77860	HARNES, WIRE	1	1	1	1				W

(A=*1992.12) (B=*1992.12) (C=*1992.12) (D=*1992.12)

Fig.78. INSTRUMENT PANEL(C-TYPE,OPTIONAL)(UP TO EXXXXX)



(A)=4LH-TE
(B)=4LH-HTE
(C)=4LH-DTE

(D)=4LH-STE
(E)=
(F)=

No.	Lev.	Parts No.	Description	Q'ty						I	R
				(A)	(B)	(C)	(D)	(E)	(F)		
1	1	129470-91100	PANEL ASSY	1	1	1	1				
1-1	1	129470-91101	PANEL ASSY, C	1	1	1	1				S
		(A=E11243) (B=E22999) (C=E24826) (D=E52640)									
1-2	1	129470-91102	PANEL ASSY, C	1	1	1	1				S 1
		(A=EXXXXX) (B=EXXXXX) (C=EXXXXX) (D=EXXXXX)									
2	2	127620-91500	SCREW	4	4	4	4				
3	2	127620-91510	WASHER	8	8	8	8				
4	2	127410-91680	BRACKET, PANEL	2	2	2	2				
5	2	127620-91560	WASHER	4	4	4	4				
6	2	127620-91550	NUT	4	4	4	4				
7	2	127620-91570	SCREW	4	4	4	4				
8	2	127620-91580	HARNESS, WIRE	1	1	1	1				
9	2	124617-91900	BUZZER	1	1	1	1				
10	2	22717-410160	SCREW, 4.1X16	2	2	2	2				
11	2	129470-91160	GAUGE	1	1	1	1				
11-1	2	129470-91161	METER	1	1	1	1				S
		(A=E11243) (B=E22999) (C=E24826) (D=E52640)									
12	2	157854-04300	HOUR METER	1	1	1	1				
13	2	127410-91510	BRACKET	3	3	3	3				
14	2	127410-91520	WASHER	8	8	8	8				
15	2	127410-91530	SCREW	8	8	8	8				
16	2	127410-91580	GASKET	2	2	2	2				
17	2	127410-91550	GASKET	1	1	1	1				
18	2	129470-91170	TACHOMETER	1	1	1	1				
19	2	127410-91560	GASKET	1	1	1	1				
20	2	127410-91570	BRACKET	1	1	1	1				
21	2	124617-91920	BULB, 12V-3W	1	1	1	1				
22	2	127410-91580	GASKET	1	1	1	1				
23	2	124617-91840	THERMOMETER, WATER	1	1	1	1				
24	2	127410-91590	GASKET	1	1	1	1				
25	2	124617-91980	BULB, 12V-1.7W	6	6	6	6				
26	2	127410-91600	LENS	1	1	1	1				
27	2	127410-91610	RETAINER	1	1	1	1				
28	2	127410-91620	BODY	1	1	1	1				
29	2	127410-91630	SCREW	3	3	3	3				
30	2	46150-003610	BOX(WITH OUT FUSE	1	1	1	1				
31	3	124617-91990	FUSE	3	3	3	3				
32	2	127620-91790	SWITCH	2	2	2	2				
33	3	127620-91780	CAP, RUBBER	2	2	2	2				
34	2	127410-91590	GASKET	2	2	2	2				
35	2	121575-91250	SWITCH, KEY	1	1	1	1				
36	3	123482-91291	KEY	2	2	2	2				
37	3	127620-91820	COVER	1	1	1	1				
38	2	129470-91150	HARNESS ASSY, WIRE	1	1	1	1				
39	2	127620-91830	CAP, RUBBER	4	4	4	4				
40	2	129470-91190	SWITCH, STOP	1	1	1	1				
41	2	124617-91980	BULB, 12V-1.7W	2	2	2	2				
42	2	124617-91920	BULB, 12V-3W	2	2	2	2				
43	2	124617-91990	FUSE	2	2	2	2				
44	2	129470-91180	BODY, PANEL	1	1	1	1				
45	1	129574-77860	HARNESS, WIRE	1	1	1	1				W

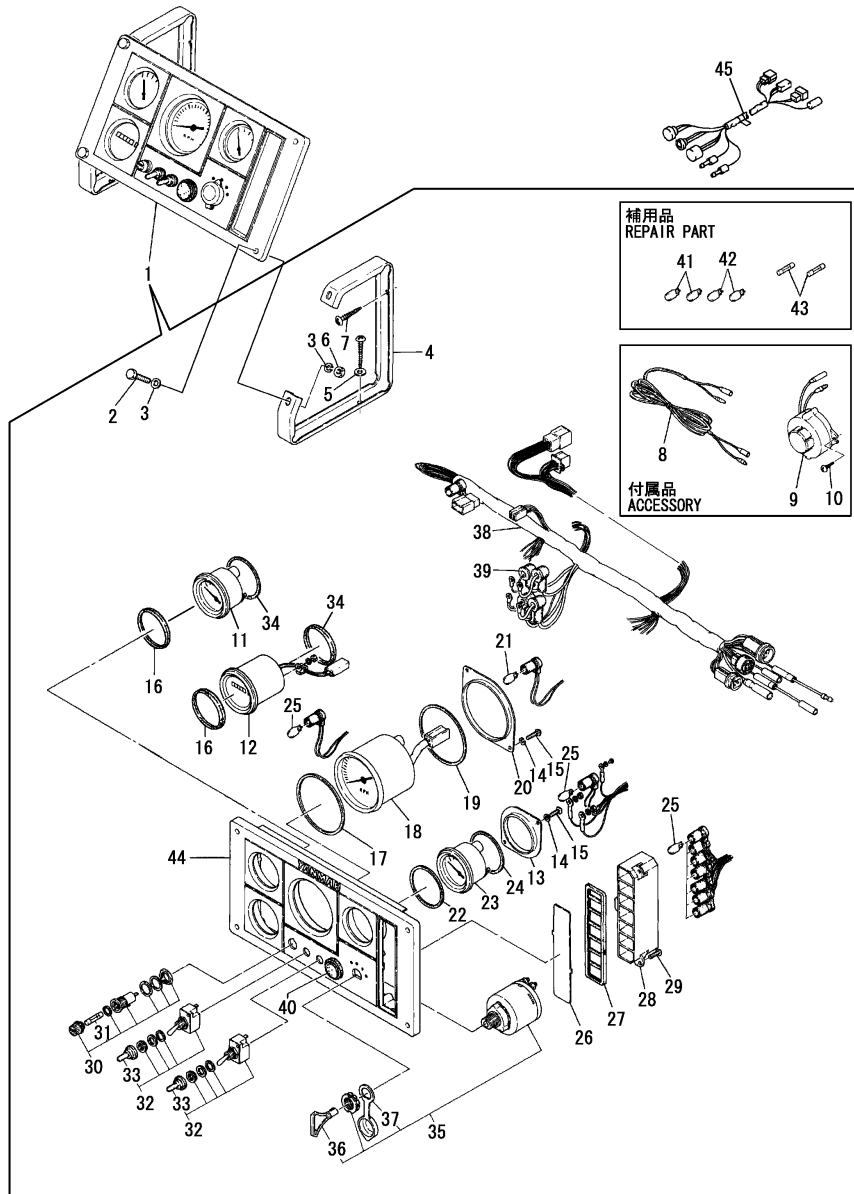
Remarks

(1)Component parts:Refer to Fig.(78A)

Fig.78. INSTRUMENT PANEL(C-TYPE,OPTIONAL)(UP TO EXXXXX)

(A)=4LH-TE
(B)=4LH-HTE
(C)=4LH-DTE

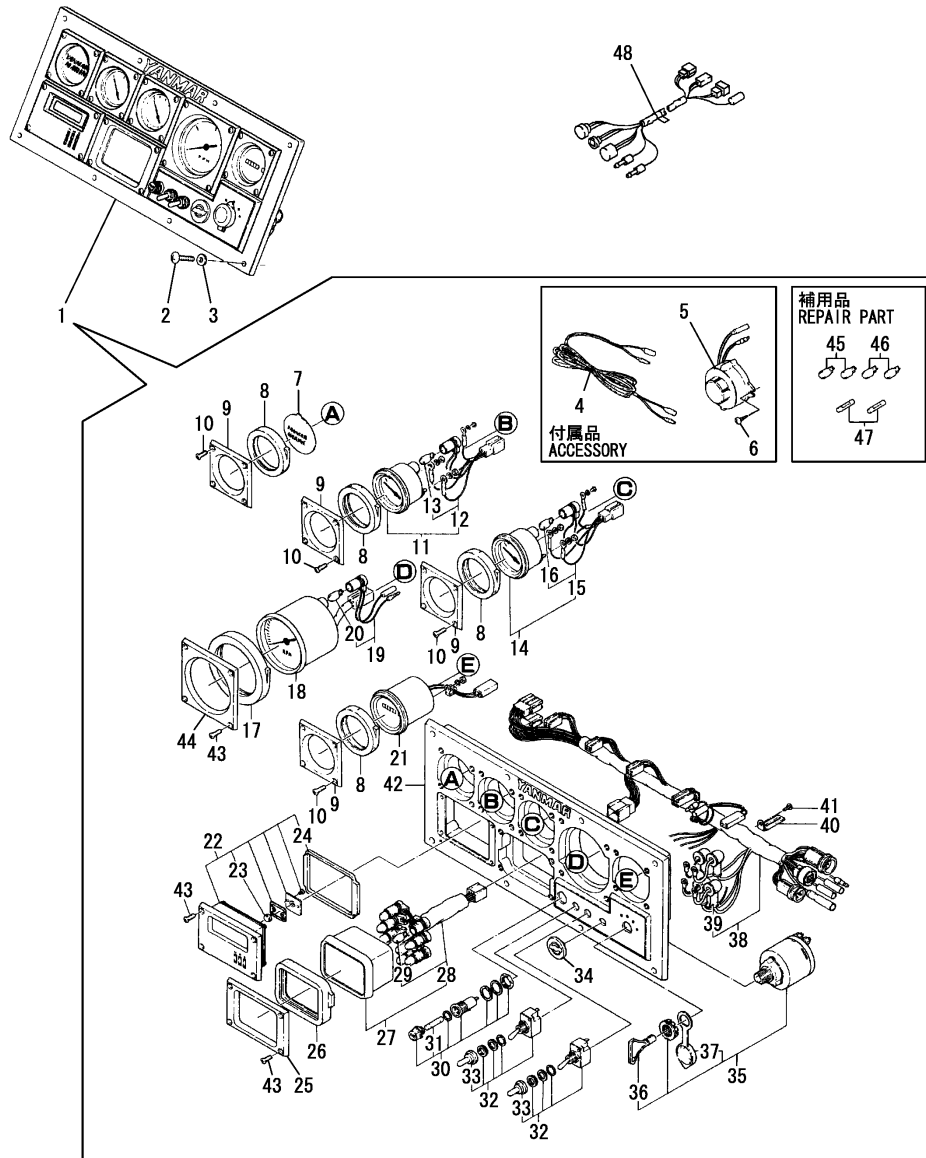
(D)=4LH-STE
(E)=
(F)=



No.	Lev.	Parts No.	Description	Q'ty						I	R	
				(A)	(B)	(C)	(D)	(E)	(F)			
		(A=*1992.12)	(B=*1992.12)	(C=*1992.12)	(D=*1992.12)							

Remarks
(1)Component parts:Refer to Fig.(78A)

Fig.79. INSTRUMENT PANEL(D-TYPE,OPTIONAL)



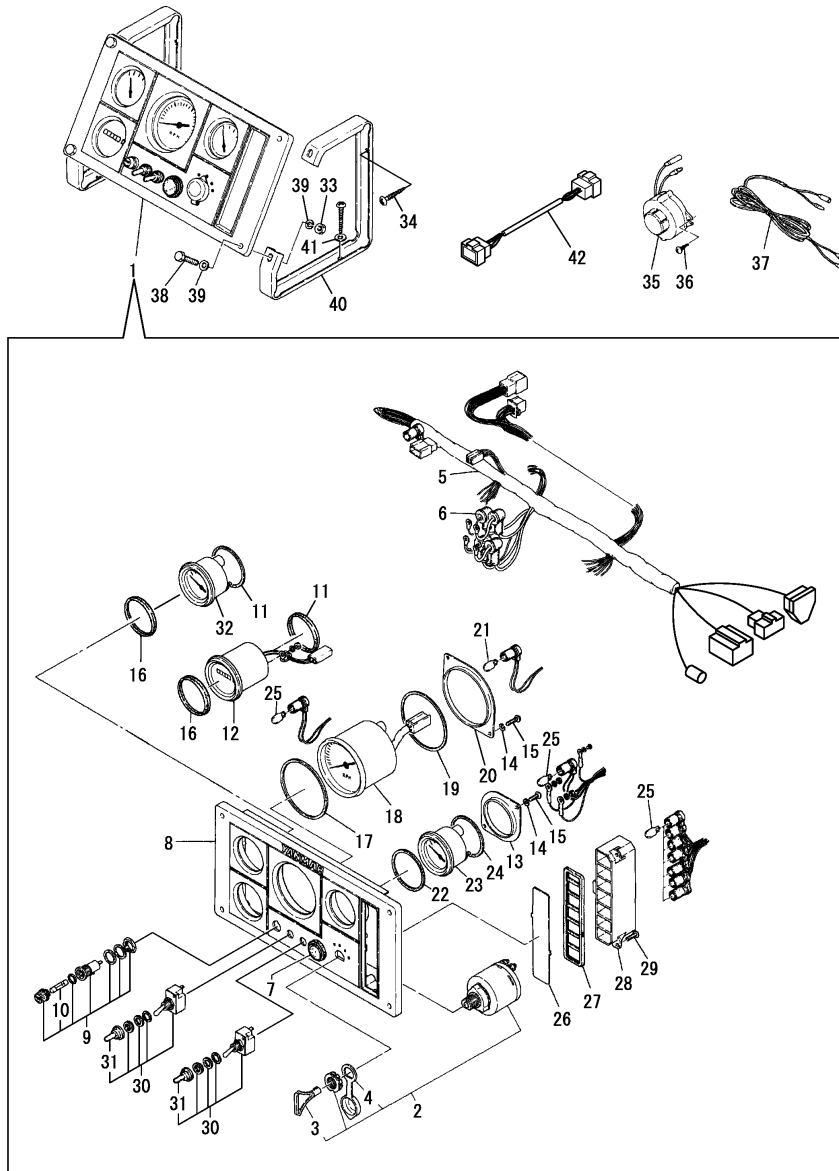
No.	Lev.	Parts No.	Description	Q'ty						I	R
				(A)	(B)	(C)	(D)	(E)	(F)		
1	1	124411-91180	PANEL ASSY	1	1	1	1				
2	2	127620-91500	SCREW	8	8	8	8				
3	2	127620-91510	WASHER	8	8	8	8				
4	2	127620-91580	HARNES, WIRE	1	1	1	1				
5	2	124617-91900	BUZZER	1	1	1	1				
6	2	22717-410160	SCREW, 4.1X16	2	2	2	2				
7	2	127620-91600	COVER	1	1	1	1				
8	2	127620-91610	RUBBER	4	4	4	4				
9	2	127620-91620	BRACKET	4	4	4	4				
10	2	127620-91630	SCREW	16	16	16	16				
11	2	124617-91830	GAUGE	1	1	1	1				
12	3	124617-91910	HARNES, WIRE	1	1	1	1				
13	4	124617-91920	BULB, 12V-3W	1	1	1	1				
14	2	124617-91840	THERMOMETER, WATER	1	1	1	1				
15	3	124617-91930	HARNES, WIRE	1	1	1	1				
16	4	124617-91920	BULB, 12V-3W	1	1	1	1				
17	2	127620-91690	RUBBER	1	1	1	1				
18	2	128696-91100	TACHOMETER	1	1	1	1				
19	2	124617-91950	HARNES, WIRE	1	1	1	1				
20	3	124617-91920	BULB, 12V-3W	1	1	1	1				
21	2	124617-91820	METER, HOUR	1	1	1	1				
22	2	127620-91240	TIMER	1	1	1	1				
23	3	127620-91250	CELL	1	1	1	1				
24	3	127620-91720	GASKET	1	1	1	1				
25	2	127620-91730	BRACKET	1	1	1	1				
26	3	127620-91740	RUBBER	1	1	1	1				
27	2	124617-91810	BOX ASSY, PILOT	1	1	1	1				
28	3	124617-91970	HARNES, WIRE	1	1	1	1				
29	4	124617-91980	BULB, 12V-1.7W	8	8	8	8				
30	2	46150-003610	BOX(WITH OUT FUSE	1	1	1	1				
31	3	124617-91990	FUSE	1	1	1	1				
32	2	127620-91790	SWITCH	2	2	2	2				
33	3	127620-91780	CAP, RUBBER	2	2	2	2				
34	2	127620-91810	PLUG	1	1	1	1				
35	2	121575-91250	SWITCH, KEY	1	1	1	1				
36	3	123482-91291	KEY	2	2	2	2				
37	3	127620-91820	COVER	1	1	1	1				
38	2	124617-91940	HARNES, WIRE	1	1	1	1				
39	3	127620-91830	CAP, RUBBER	4	4	4	4				
40	2	127620-91860	RETAINER	1	1	1	1				
41	2	127620-91870	SCREW	1	1	1	1				
42	2	127620-91930	PANEL	1	1	1	1				
43	2	127620-91630	SCREW	12	12	12	12				
44	2	127620-91410	BRACKET	1	1	1	1				
45	2	124617-91980	BULB, 12V-1.7W	2	2	2	2				
46	2	124617-91920	BULB, 12V-3W	2	2	2	2				
47	2	124617-91990	FUSE	2	2	2	2				
48	1	129574-77860	HARNES, WIRE	1	1	1	1				W

(A)=*1992.12) (B)=*1992.12) (C)=*1992.12) (D)=*1992.12)

Fig.97. (78A)INSTRUMENT PANEL(C-TYPE,OPTIONAL)(FROM EXXXXX)

(A)=4LH-TE
(B)=4LH-HTE
(C)=4LH-DTE

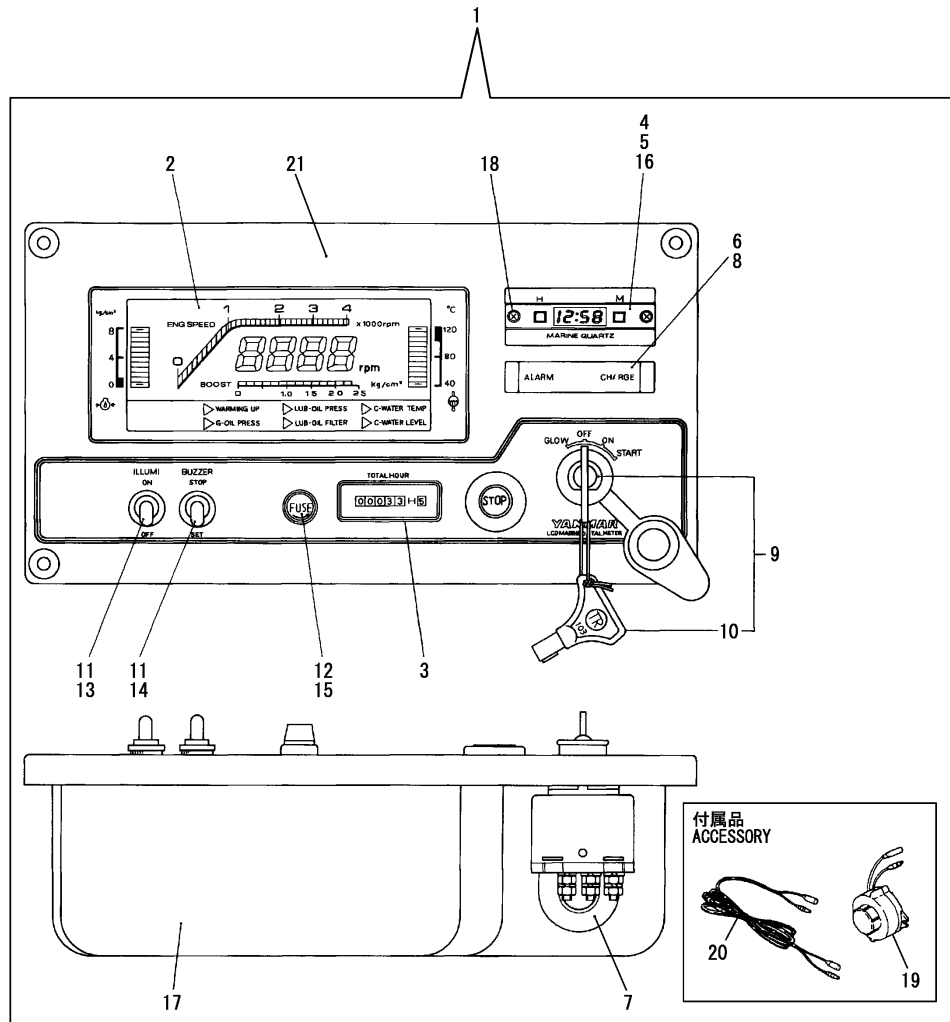
(D)=4LH-STE
(E)=
(F)=



No.	Lev.	Parts No.	Description	Q'ty						I	R
				(A)	(B)	(C)	(D)	(E)	(F)		
1	1	129470-91102	PANEL ASSY, C	1	1	1	1				
1-1	1	129470-91103	PANEL ASSY, C	1	1	1	1			F	1
		(A=EXXXXX) (B=EXXXXX) (C=EXXXXX) (D=EXXXXX)									
2	2	121575-91250	SWITCH, KEY	1	1	1	1				
3	3	123482-91291	KEY	2	2	2	2				
4	3	127620-91820	COVER	1	1	1	1				
5	2	129171-91880	HARNES, WIRE	1	1	1	1				
6	2	127620-91830	CAP, RUBBER	4	4	4	4				
7	2	129470-91190	SWITCH, STOP	1	1	1	1				
8	2	129470-91180	BODY, PANEL	1	1	1	1				
9	2	46150-003620	FUSE	1	1	1	1				
10	3	124617-91990	FUSE	3	3	3	3				
11	2	127410-91590	GASKET	2	2	2	2				
12	2	157854-04300	HOUR METER	1	1	1	1				
13	2	127410-91510	BRACKET	3	3	3	3				
14	2	127410-91520	WASHER	8	8	8	8				
15	2	127410-91530	SCREW	8	8	8	8				
16	2	127410-91580	GASKET	2	2	2	2				
17	2	127410-91550	GASKET	1	1	1	1				
18	2	129470-91170	TACHOMETER	1	1	1	1				
19	2	127410-91560	GASKET	1	1	1	1				
20	2	127410-91570	BRACKET	1	1	1	1				
21	2	124617-91920	BULB, 12V-3W	1	1	1	1				
22	2	127410-91580	GASKET	1	1	1	1				
23	2	124617-91840	THERMOMETER, WATER	1	1	1	1				
24	2	127410-91590	GASKET	1	1	1	1				
25	2	194555-55820	BULB, 12V1.7W	6	6	6	6				
26	2	127410-91600	LENS	1	1	1	1				
27	2	127410-91610	RETAINER	1	1	1	1				
28	2	127410-91620	BODY	1	1	1	1				
29	2	127410-91630	SCREW	3	3	3	3				
30	2	127687-91790	SWITCH	2	2	2	2				
31	3	127620-91780	CAP, RUBBER	2	2	2	2				
32	2	129470-91161	METER	1	1	1	1				
33	1	127620-91550	NUT	4	4	4	4				
34	1	127620-91570	SCREW	4	4	4	4				
35	1	124617-91900	BUZZER	1	1	1	1				
36	1	22717-410160	SCREW, 4.1X16	1	1	1	1				
37	1	127620-91580	HARNES, WIRE	1	1	1	1				
38	1	127620-91500	SCREW	4	4	4	4				
39	1	127620-91510	WASHER	8	8	8	8				
40	1	127410-91680	BRACKET, PANEL	2	2	2	2				
41	1	127620-91560	WASHER	4	4	4	4				
42	1	129670-77990	ADAPTER	1	1	1	1				W
		(A=EXXXXX) (B=EXXXXX) (C=EXXXXX) (D=EXXXXX)									

Remarks
(1)Interchangeable by simultaneous replacement with No.42.

Fig.80. INSTRUMENT PANEL(E-TYPE,OPTIONAL)



(A)=4LH-TE
(B)=4LH-HTE
(C)=4LH-DTE

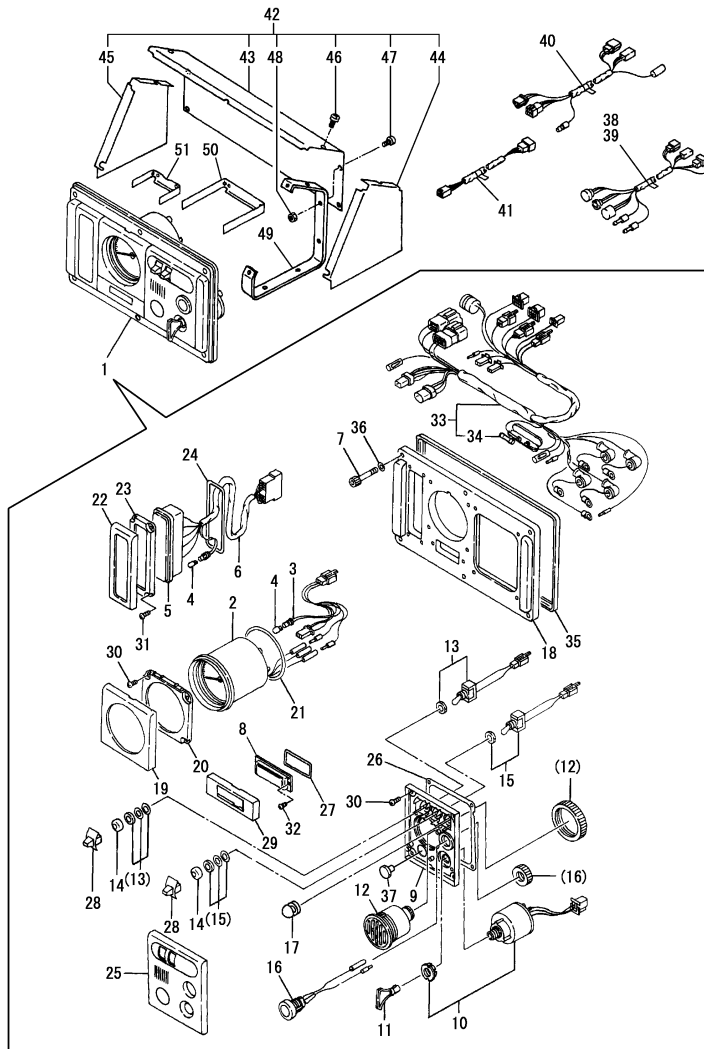
(D)=4LH-STE
(E)=
(F)=

No.	Lev.	Parts No.	Description	Q'ty						I	R
				(A)	(B)	(C)	(D)	(E)	(F)		
1	1	119171-91180	PANNEL ASSY	1	1	1	1				
2	2	127687-91210	LCD ASSY	1	1	1	1				
3	2	120147-91230	HOUR METER	1	1	1	1				
4	2	120147-91760	BULB	1	1	1	1				
5	2	127687-91240	CLOCK ASSY	1	1	1	1				
6	2	127687-91220	PILOT BOX ASSY	1	1	1	1				
7	2	127687-91800	GROMMET	1	1	1	1				
8	2	124617-91920	BULB, 12V-3W	4	4	4	4				
9	2	127412-91250	SWITCH, KEY	1	1	1	1				
10	3	123482-91291	KEY	2	2	2	2				
11	2	127687-91770	CAP	2	2	2	2				
12	2	46150-003610	BOX(WITH OUT FUSE)	1	1	1	1				
13	2	127687-91790	SWITCH	1	1	1	1				
14	2	127687-91780	SWITCH	1	1	1	1				
15	2	46150-003620	FUSE	1	1	1	1				
16	2	127687-91250	GASKET	1	1	1	1				
17	2	127687-91840	COVER	1	1	1	1				
18	2	127687-91890	SCREW	2	2	2	2				
19	2	124617-91900	BUZZER	1	1	1	1				
20	2	127620-91580	HARNES, WIRE	1	1	1	1				
21	2	X5380279A1	PANEL ASSY	1	1	1	1				W
		(A=FROM 1ST) (B=FROM 1ST) (C=FROM 1ST) (D=FROM 1ST)									
22	1	129574-77860	HARNES, WIRE	1	1	1	1				W
		(A=*1992.12) (B=*1992.12) (C=*1992.12) (D=*1992.12)									

Fig.81. INSTRUMENT PANEL(B-TYPE,OPTIONAL)

(A)=4LH-TE
(B)=4LH-HTE
(C)=4LH-DTE

(D)=4LH-STE
(E)=
(F)=



No.	Lev.	Parts No.	Description	Q'ty						I	R
				(A)	(B)	(C)	(D)	(E)	(F)		
1	1	129574-91130	PANEL, INSTRUMENT	1	1	1	1				W
		(A=*1992.12) (B=*1992.12) (C=*1992.12) (D=*1992.12)									
2	2	129574-91200	METER KIT	1	1	1	1				
3	2	129574-91870	HARNESS, WIRE	1	1	1	1				
4	2	124617-91980	BULB, 12V-1.7W	5	5	5	5				
5	2	128391-91260	BOX	1	1	1	1				
6	2	120130-91860	WIRE	1	1	1	1				
7	2	127687-91870	BOLT, M6X35	6	6	6	6				
8	2	129170-91650	COVER	1	1	1	1				
9	2	129574-91410	BRACKET, SWITCH	1	1	1	1				
10	2	121575-91250	SWITCH, KEY	1	1	1	1				
11	2	123482-91291	KEY	1	1	1	1				
12	2	104271-91352	BUZZER	1	1	1	1				
13	2	129170-91800	SWITCH	1	1	1	1				
14	2	129574-91780	CAP, RUBBER	2	2	2	2				
15	2	129574-91790	SWITCH	1	1	1	1				
16	2	129470-91190	SWITCH, STOP	1	1	1	1				
17	2	129170-91810	COVER	1	1	1	1				
18	2	128391-91930	PANEL	1	1	1	1				
19	2	129574-91620	BEZEL	1	1	1	1				
20	2	129574-91420	BRACKET	1	1	1	1				
21	2	129574-91720	GASKET	1	1	1	1				
22	2	128391-91640	BEZEL	1	1	1	1				
23	2	128391-91440	PLATE	1	1	1	1				
24	2	128391-91740	GASKET	1	1	1	1				
25	2	129170-91610	BEZEL	1	1	1	1				
26	2	129574-91710	GASKET	1	1	1	1				
27	2	129574-91750	GASKET	1	1	1	1				
28	2	129574-91770	KNOB	2	2	2	2				
29	2	129574-91650	BEZEL	1	1	1	1				
30	2	127692-91410	SCREW	8	8	8	8				
31	2	127692-91440	SCREW	4	4	4	4				
32	2	127692-91450	SCREW	2	2	2	2				
33	2	129570-91850	HARNESS, WIRE	1	1	1	1				
34	3	124617-91990	FUSE	1	1	1	1				
35	2	128391-91700	GASKET	1	1	1	1				
36	2	127687-91880	WASHER	6	6	6	6				
37	2	129574-91760	COVER	1	1	1	1				
38	1	129574-77850	HARNESS, WIRE	1	1	1	1				1
39	1	129574-77860	HARNESS, WIRE	1	1	1	1				2
40	1	127692-91700	HARNESS, WIRE	1	1	1	1				
41	1	127692-91710	HARNESS, WIRE	1	1	1	1				
42	1	129574-91900	COVER ASSY	1	1	1	1				
43	2	129574-91950	COVER, PANEL	1	1	1	1				
44	2	129574-91960	COVER, PANEL	1	1	1	1				
45	2	129574-91970	COVER, PANEL	1	1	1	1				
46	2	26559-060122	SCREW, M6X12	2	2	2	2				
47	2	26556-060122	SCREW M 6X12	4	4	4	4				3
48	2	26716-060002	NUT, M6	4	4	4	4				3
49	1	129574-91530	BRACKET, PANEL	2	2	2	2				
50	1	129574-91540	BRACKET	1	1	1	1				

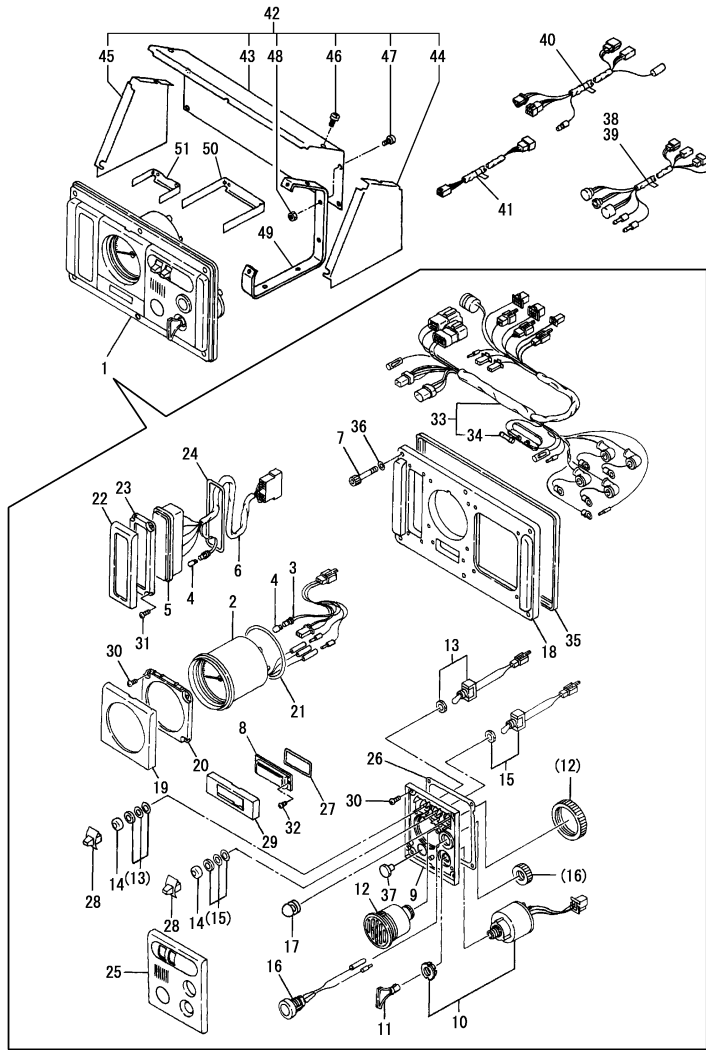
Remarks

- (1)Use it when mounting the new type panel on the (previous type) wire harness for engine.
- (2)Use it when mounting the previous type panel on the (new type) wire harness for engine.
- (3)Not needed when mounting on the side.

Fig.81. INSTRUMENT PANEL(B-TYPE,OPTIONAL)

(A)=4LH-TE
(B)=4LH-HTE
(C)=4LH-DTE

(D)=4LH-STE
(E)=
(F)=



No.	Lev.	Parts No.	Description	Q'ty						I	R
				(A)	(B)	(C)	(D)	(E)	(F)		
51	1	129574-91550	BRACKET	1	1	1	1				

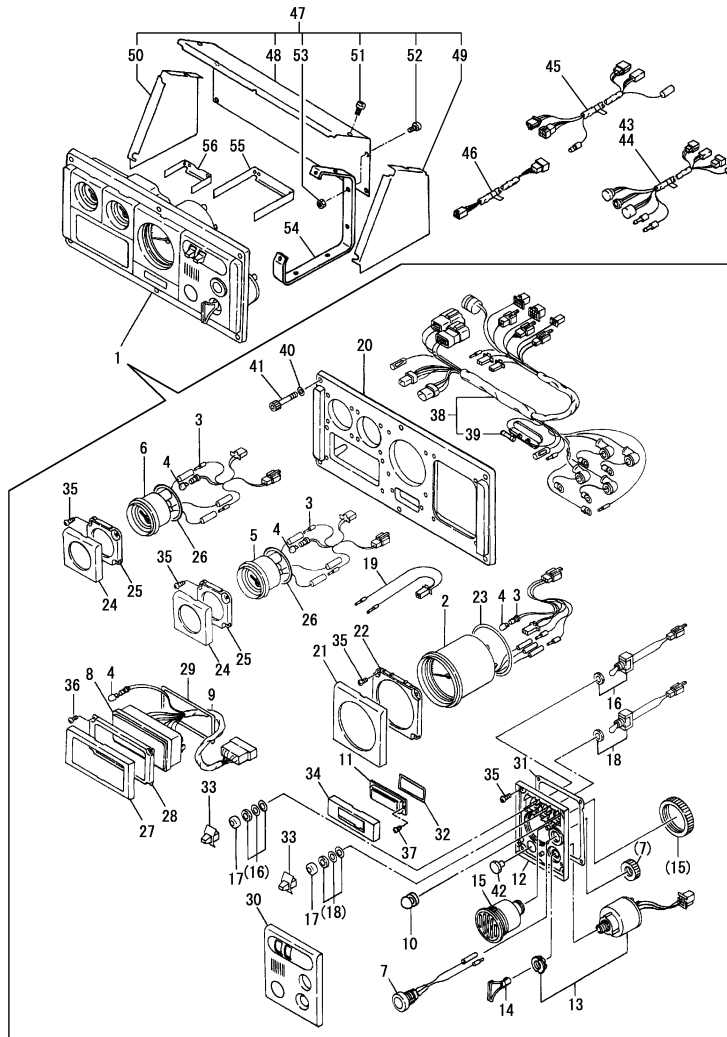
Remarks

- (1) Use it when mounting the new type panel on the (previous type) wire harness for engine.
- (2) Use it when mounting the previous type panel on the (new type) wire harness for engine.
- (3) Not needed when mounting on the side.

Fig.82. INSTRUMENT PANEL(C-TYPE,OPTIONAL)(UP TO EXXXXX)

(A)=4LH-TE
(B)=4LH-HTE
(C)=4LH-DTE

(D)=4LH-STE
(E)=
(F)=



Remarks

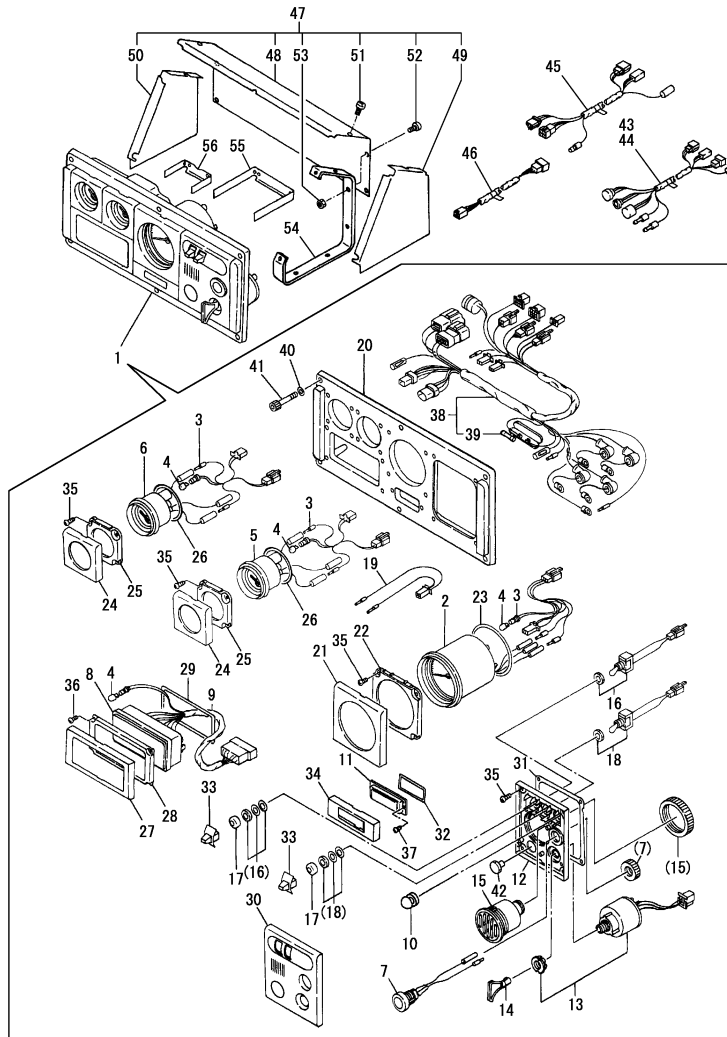
- (1)Use it when mounting the new type panel on the (previous type) wire harness for engine.
- (2)Use it when mounting the previous type panel on the (new type) wire harness for engine.
- (3)Not needed when mounting on the side.
- (4)Component parts:Refer to Fig.(82A)

No.	Lev.	Parts No.	Description	Qty						I	R
				(A)	(B)	(C)	(D)	(E)	(F)		
1	1	129574-91160	PANEL ASSY, INSTRUM	1	1	1	1			W	
		(A=*1992.12) (B=*1992.12) (C=*1992.12) (D=*1992.12)									
1-1	1	129574-91161	PANEL ASSY, C	1	1	1	1			S	
		(A=E11243) (B=E22999) (C=E24826) (D=E52640)									
1-2	1	129574-91162	PANEL ASSY, C	1	1	1	1			N 4	
		(A=EXXXXX) (B=EXXXXX) (C=EXXXXX) (D=EXXXXX)									
2	2	129574-91200	METER KIT	1	1	1	1				
3	2	129574-91870	HARNESS, WIRE	3	3	3	3				
4	2	124617-91980	BULB, 12V-1.7W	8	8	8	8				
5	2	129574-91210	METER	1	1	1	1				
6	2	129574-91220	METER	1	1	1	1				
6-1	2	129574-91221	METER	1	1	1	1			S	
		(A=E11243) (B=E22999) (C=E24826) (D=E52640)									
7	2	129470-91190	SWITCH, STOP	1	1	1	1				
8	2	129170-91260	BOX	1	1	1	1				
9	2	129170-91860	HARNESS, WIRE	1	1	1	1				
10	2	129170-91810	COVER	1	1	1	1				
11	2	129170-91650	COVER	1	1	1	1				
12	2	129574-91410	BRACKET, SWITCH	1	1	1	1				
13	2	121575-91250	SWITCH, KEY	1	1	1	1				
14	2	123482-91291	KEY	1	1	1	1				
15	2	104271-91352	BUZZER	1	1	1	1				
16	2	129170-91800	SWITCH	1	1	1	1				
17	2	129574-91780	CAP, RUBBER	2	2	2	2				
18	2	129574-91790	SWITCH	1	1	1	1				
19	2	129170-91890	HARNESS, WIRE	1	1	1	1				
20	2	129170-91930	PANEL	1	1	1	1				
21	2	129574-91620	BEZEL	1	1	1	1				
22	2	129574-91420	BRACKET	1	1	1	1				
23	2	129574-91720	GASKET	1	1	1	1				
24	2	129574-91630	BEZEL	2	2	2	2				
25	2	129574-91430	BRACKET	2	2	2	2				
26	2	129574-91730	GASKET	2	2	2	2				
27	2	129574-91640	BEZEL	1	1	1	1				
28	2	129574-91440	BRACKET	1	1	1	1				
29	2	129574-91740	GASKET	1	1	1	1				
30	2	129170-91610	BEZEL	1	1	1	1				
31	2	129574-91710	GASKET	1	1	1	1				
32	2	129574-91750	GASKET	1	1	1	1				
33	2	129574-91770	KNOB	2	2	2	2				
34	2	129574-91650	BEZEL	1	1	1	1				
35	2	127692-91410	SCREW	16	16	16	16				
36	2	127692-91440	SCREW	4	4	4	4				
37	2	127692-91450	SCREW	2	2	2	2				
38	2	129170-91850	HARNESS, WIRE	1	1	1	1				
39	3	124617-91990	FUSE	1	1	1	1				
40	2	127687-91880	WASHER	6	6	6	6				
41	2	127687-91870	BOLT, M6X35	6	6	6	6				
42	2	129574-91760	COVER	1	1	1	1				
43	1	129574-77850	HARNESS, WIRE	1	1	1	1			1	
44	1	129574-77860	HARNESS, WIRE	1	1	1	1			2	

Fig.82. INSTRUMENT PANEL(C-TYPE,OPTIONAL)(UP TO EXXXXX)

(A)=4LH-TE
(B)=4LH-HTE
(C)=4LH-DTE

(D)=4LH-STE
(E)=
(F)=

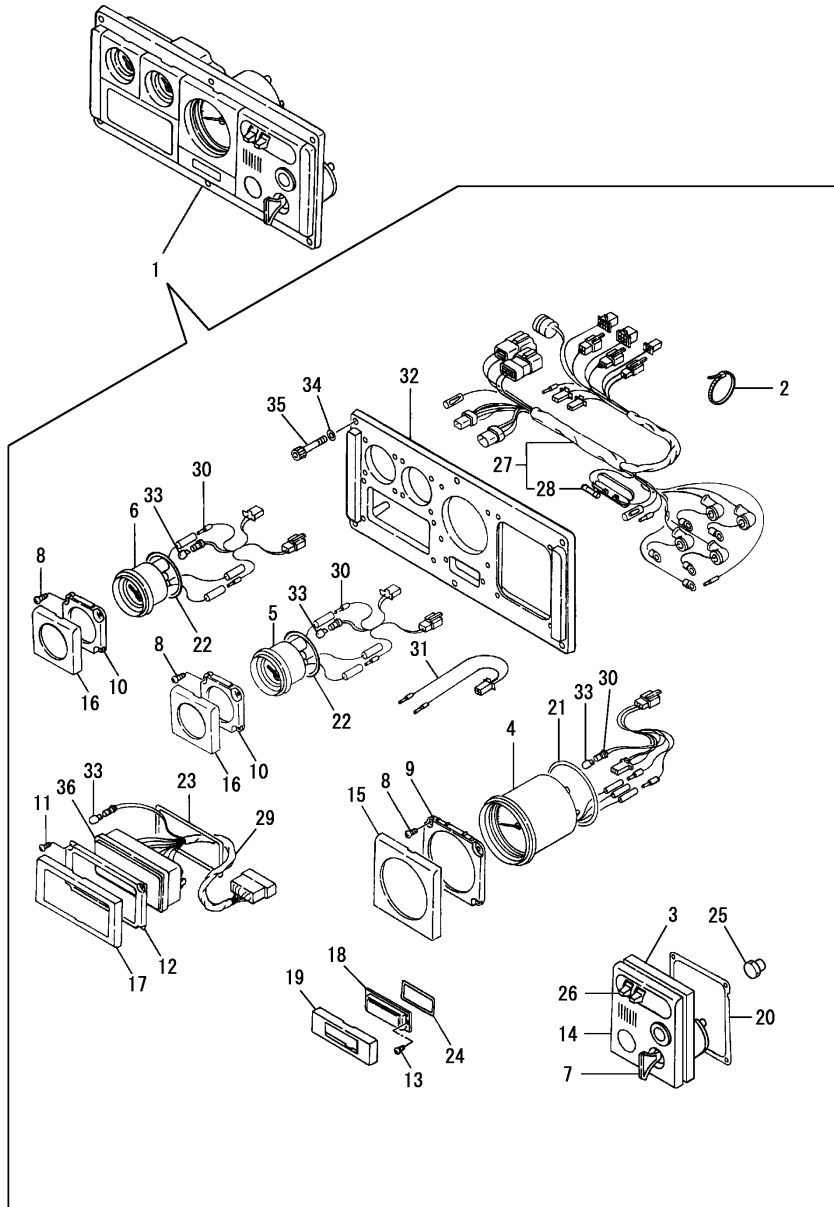


No.	Lev.	Parts No.	Description	Q'ty						I	R
				(A)	(B)	(C)	(D)	(E)	(F)		
45	1	127692-91700	HARNESS, WIRE	1	1	1	1				
46	1	127692-91710	HARNESS, WIRE	1	1	1	1				
47	1	120324-91900	COVER, PANEL	1	1	1	1				
48	2	120324-91950	COVER	1	1	1	1				
49	2	129574-91960	COVER, PANEL	1	1	1	1				
50	2	129574-91970	COVER, PANEL	1	1	1	1				
51	2	26559-060122	SCREW, M6X12	2	2	2	2				
52	2	26556-060122	SCREW M 6X12	4	4	4	4				3
53	2	26716-060002	NUT, M6	4	4	4	4				3
54	1	129574-91530	BRACKET, PANEL	2	2	2	2				
55	1	129574-91540	BRACKET	1	1	1	1				
56	1	129574-91550	BRACKET	1	1	1	1				

Remarks

- (1) Use it when mounting the new type panel on the (previous type) wire harness for engine.
- (2) Use it when mounting the previous type panel on the (new type) wire harness for engine.
- (3) Not needed when mounting on the side.
- (4) Component parts: Refer to Fig.(82A)

Fig.98. (82A)INSTRUMENT PANEL(C-TYPE,OPTIONAL)(FROM EXXXXX)



(A)=4LH-TE
(B)=4LH-HTE
(C)=4LH-DTE

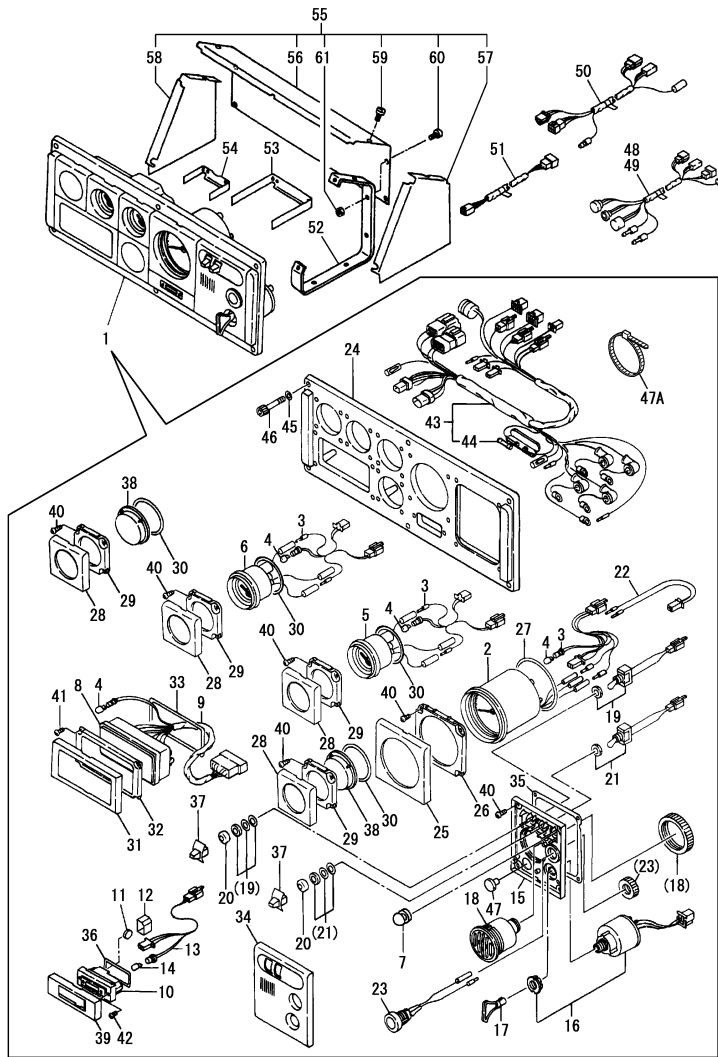
(D)=4LH-STE
(E)=
(F)=

No.	Lev.	Parts No.	Description	Q'ty						I	R
				(A)	(B)	(C)	(D)	(E)	(F)		
1	1	129574-91162	PANEL ASSY, C	1	1	1	1				
2	2	198451-78680	CLAMP, CORD	2	2	2	2				
3	2	129470-91191	BOX ASSY	1	1	1	1				
4	2	129574-91200	METER KIT	1	1	1	1				
5	2	129574-91210	METER	1	1	1	1				
6	2	129574-91222	METER	1	1	1	1				
7	2	123482-91291	KEY	1	1	1	1				
8	2	127692-91410	SCREW	16	16	16	16				
9	2	129574-91420	BRACKET	1	1	1	1				
10	2	129574-91430	BRACKET	2	2	2	2				
11	2	127692-91440	SCREW	4	4	4	4				
12	2	129574-91440	BRACKET	1	1	1	1				
13	2	127692-91450	SCREW	2	2	2	2				
14	2	129170-91610	BEZEL	1	1	1	1				
15	2	129574-91620	BEZEL	1	1	1	1				
16	2	129574-91630	BEZEL	2	2	2	2				
17	2	129574-91640	BEZEL	1	1	1	1				
18	2	129170-91650	COVER	1	1	1	1				
19	2	129574-91650	BEZEL	1	1	1	1				
20	2	129574-91710	GASKET	1	1	1	1				
21	2	129574-91720	GASKET	1	1	1	1				
22	2	129574-91730	GASKET	2	2	2	2				
23	2	129574-91740	GASKET	1	1	1	1				
24	2	129574-91750	GASKET	1	1	1	1				
25	2	129574-91760	COVER	1	1	1	1				
26	2	129574-91770	KNOB	2	2	2	2				
27	2	129170-91850	HARNES, WIRE	1	1	1	1				
28	3	124617-91990	FUSE	1	1	1	1				
29	2	129170-91860	HARNES, WIRE	1	1	1	1				
30	2	129574-91870	HARNES, WIRE	1	1	1	1				
31	2	129170-91890	HARNES, WIRE	1	1	1	1				
32	2	129170-91930	PANEL	1	1	1	1				
33	2	124617-91980	BULB, 12V-1.7W	7	7	7	7				
34	2	127687-91880	WASHER	6	6	6	6				
35	2	127687-91870	BOLT, M6X35	6	6	6	6				
36	2	XYM0234001N	BOX, ALARM	1	1	1	1				

Fig.83. INSTRUMENT PANEL(D-TYPE,OPTIONAL)

(A)=4LH-TE
(B)=4LH-HTE
(C)=4LH-DTE

(D)=4LH-STE
(E)=
(F)=



No.	Lev.	Parts No.	Description	Q'ty						I	R
				(A)	(B)	(C)	(D)	(E)	(F)		
1	1	129574-91190	PANEL, INSTRUMENT D	1	1	1	1			W	
		(A=*1992.12) (B=*1992.12) (C=*1992.12) (D=*1992.12)									
1-1	1	129574-91191	PANEL ASSY, D	1	1	1	1			S	
		(A=E11243) (B=E22999) (C=E24826) (D=E52640)									
1-2	1	129574-91192	PANEL ASSY, D	1	1	1	1			N	
		(A=EXXXXX) (B=EXXXXX) (C=EXXXXX) (D=EXXXXX)									
2	2	129574-91200	METER KIT	1	1	1	1				
3	2	129574-91870	HARNESS, WIRE	3	3	3	3				
4	2	124617-91980	BULB, 12V-1.7W	8	8	8	8				
5	2	129574-91210	METER	1	1	1	1				
6	2	129574-91220	METER	1	1	1	1				
6-1	2	129574-91221	METER	1	1	1	1			S	
		(A=E11243) (B=E22999) (C=E24826) (D=E52640)									
6-2	2	129574-91222	METER	1	1	1	1			N	
		(A=EXXXXX) (B=EXXXXX) (C=EXXXXX) (D=EXXXXX)									
7	2	129170-91810	COVER	1	1	1	1				
8	2	129574-91260	BOX	1	1	1	1				
9	2	129574-91860	WIRE	1	1	1	1				
10	2	129574-91240	CLOCK	1	1	1	1				
11	2	127620-91250	CELL	1	1	1	1				
12	2	129574-91490	HOLDER	1	1	1	1				
13	2	129574-91880	HARNESS, WIRE	1	1	1	1				
14	2	120147-91760	BULB	1	1	1	1				
15	2	129574-91410	BRACKET, SWITCH	1	1	1	1				
16	2	121575-91250	SWITCH, KEY	1	1	1	1				
17	2	123482-91291	KEY	1	1	1	1				
18	2	104271-91352	BUZZER	1	1	1	1				
19	2	129170-91800	SWITCH	1	1	1	1				
20	2	129574-91780	CAP, RUBBER	2	2	2	2				
21	2	129574-91790	SWITCH	1	1	1	1				
22	2	129574-91890	HARNESS, WIRE	1	1	1	1				
23	2	129470-91190	SWITCH, STOP	1	1	1	1				
24	2	129574-91930	PANEL	1	1	1	1				
25	2	129574-91620	BEZEL	1	1	1	1				
26	2	129574-91420	BRACKET	1	1	1	1				
27	2	129574-91720	GASKET	1	1	1	1				
28	2	129574-91630	BEZEL	4	4	4	4				
29	2	129574-91430	BRACKET	4	4	4	4				
30	2	129574-91730	GASKET	4	4	4	4				
31	2	129574-91640	BEZEL	1	1	1	1				
32	2	129574-91440	BRACKET	1	1	1	1				
33	2	129574-91740	GASKET	1	1	1	1				
34	2	129170-91610	BEZEL	1	1	1	1				
35	2	129574-91710	GASKET	1	1	1	1				
36	2	129574-91750	GASKET	1	1	1	1				
37	2	129574-91770	KNOB	2	2	2	2				
38	2	129574-91600	COVER	2	2	2	2				
39	2	129574-91650	BEZEL	1	1	1	1				
40	2	127692-91410	SCREW	24	24	24	24				
41	2	127692-91440	SCREW	4	4	4	4				
42	2	127692-91450	SCREW	2	2	2	2				

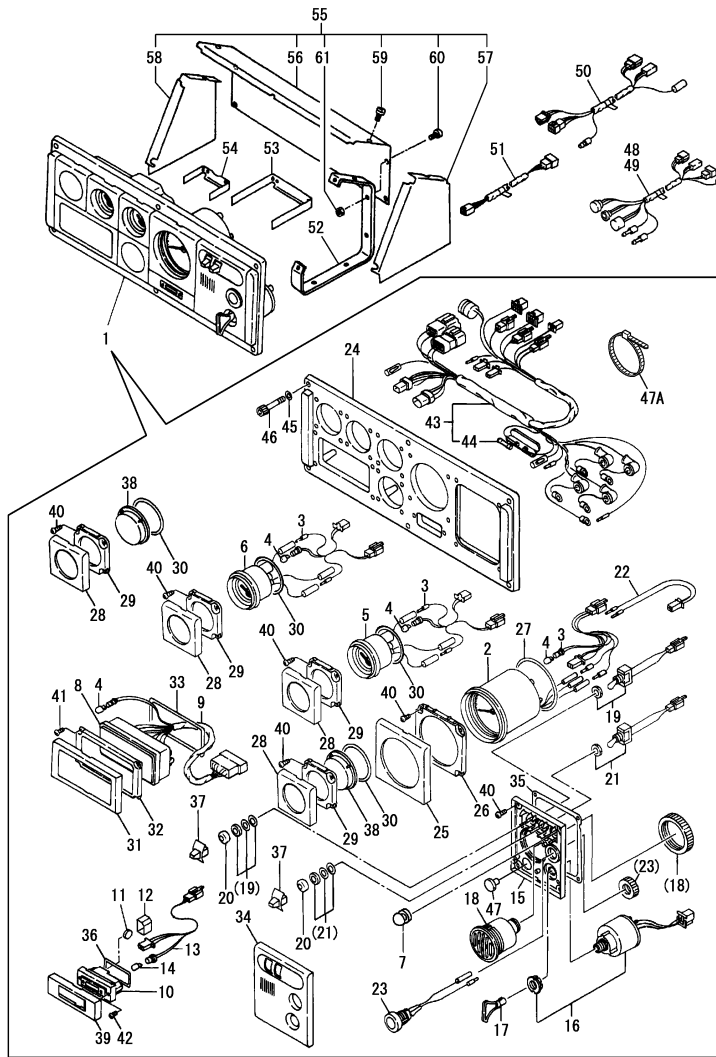
Remarks

- (1)Use it when mounting the new type panel on the (previous type) wire harness for engine.
- (2)Use it when mounting the previous type panel on the (new type) wire harness for engine.
- (3)Not needed when mounting on the side.

Fig.83. INSTRUMENT PANEL(D-TYPE,OPTIONAL)

(A)=4LH-TE
(B)=4LH-HTE
(C)=4LH-DTE

(D)=4LH-STE
(E)=
(F)=

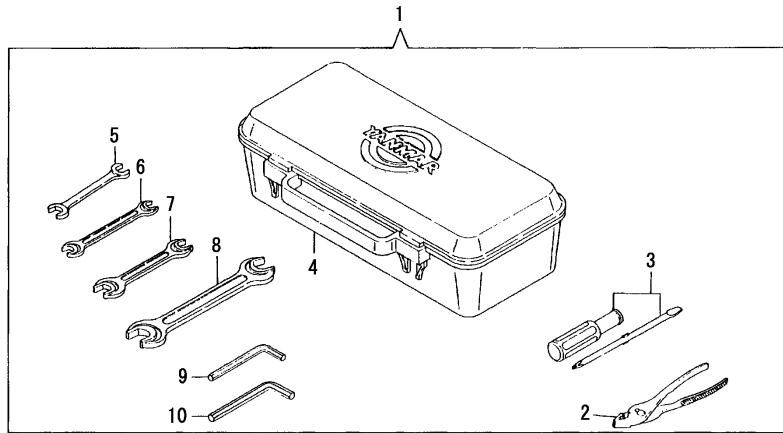


No.	Lev.	Parts No.	Description	Q'ty						I	R
				(A)	(B)	(C)	(D)	(E)	(F)		
43	2	129574-91850	HARNESS, WIRE	1	1	1	1				
44	3	124617-91990	FUSE	1	1	1	1				
45	2	127687-91880	WASHER	6	6	6	6				
46	2	127687-91870	BOLT, M6X35	6	6	6	6				
47	2	129574-91760	COVER	1	1	1	1				
47A	2	198451-78680	CLAMP, CORD	3	3	3	3				W
		(A=EXXXXX)	(B=EXXXXX)	(C=EXXXXX)	(D=EXXXXX)						
48	1	129574-77850	HARNESS, WIRE	1	1	1	1				1
49	1	129574-77860	HARNESS, WIRE	1	1	1	1				2
50	1	127692-91700	HARNESS, WIRE	1	1	1	1				
51	1	127692-91710	HARNESS, WIRE	1	1	1	1				
52	1	129574-91530	BRACKET, PANEL	2	2	2	2				
53	1	129574-91540	BRACKET	1	1	1	1				
54	1	129574-91550	BRACKET	1	1	1	1				
55	1	127692-91900	COVER, PANEL	1	1	1	1				
56	2	127692-91950	COVER, PANEL	1	1	1	1				
57	2	129574-91960	COVER, PANEL	1	1	1	1				
58	2	129574-91970	COVER, PANEL	1	1	1	1				
59	2	26559-060122	SCREW, M6X12	2	2	2	2				
60	2	26556-060122	SCREW M 6X12	4	4	4	4				3
61	2	26716-060002	NUT, M6	4	4	4	4				3

Remarks

- (1)Use it when mounting the new type panel on the (previous type) wire harness for engine.
- (2)Use it when mounting the previous type panel on the (new type) wire harness for engine.
- (3)Not needed when mounting on the side.

Fig.84. TOOL



(A)=4LH-TE
(B)=4LH-HTE
(C)=4LH-DTE

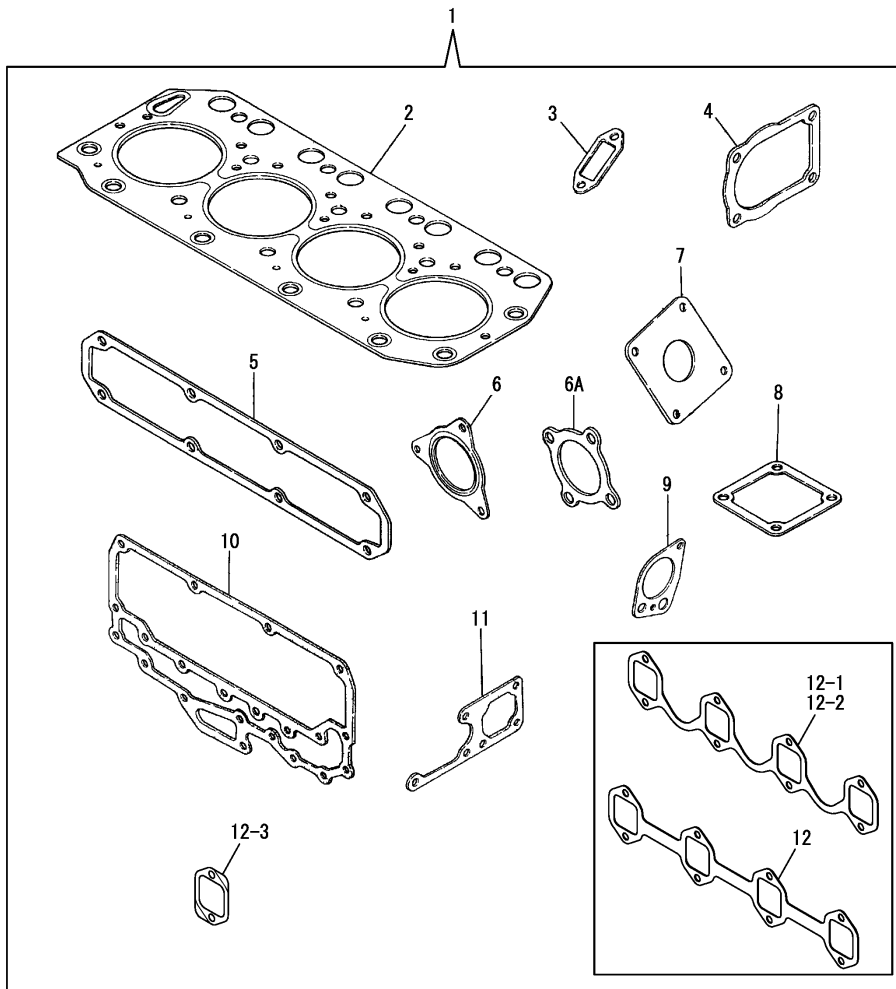
(D)=4LH-STE
(E)=
(F)=

No.	Lev.	Parts No.	Description	Q'ty						I	R
				(A)	(B)	(C)	(D)	(E)	(F)		
1	1	705311-92100	BOX ASSY, TOOL	1	1	1	1				
2	2	189010-92020	PLIER	1	1	1	1				
3	2	104200-92350	DRIVER, SCREW	1	1	1	1				
4	2	104200-92600	BOX, TOOL	1	1	1	1				
5	2	28110-100130	SPANNER, 10X13	1	1	1	1				
6	2	28110-120140	SPANNER, 12X14	1	1	1	1				
7	2	28110-170190	SPANNER, 17X19	1	1	1	1				
8	2	28110-220240	SPANNER, 22X24	1	1	1	1				
9	2	28150-050000	WRENCH, BAR 5	1	1	1	1				
10	2	28150-060000	WRENCH, BAR 6	1	1	1	1				

Fig.85. GASKET SET(OPTIONAL)

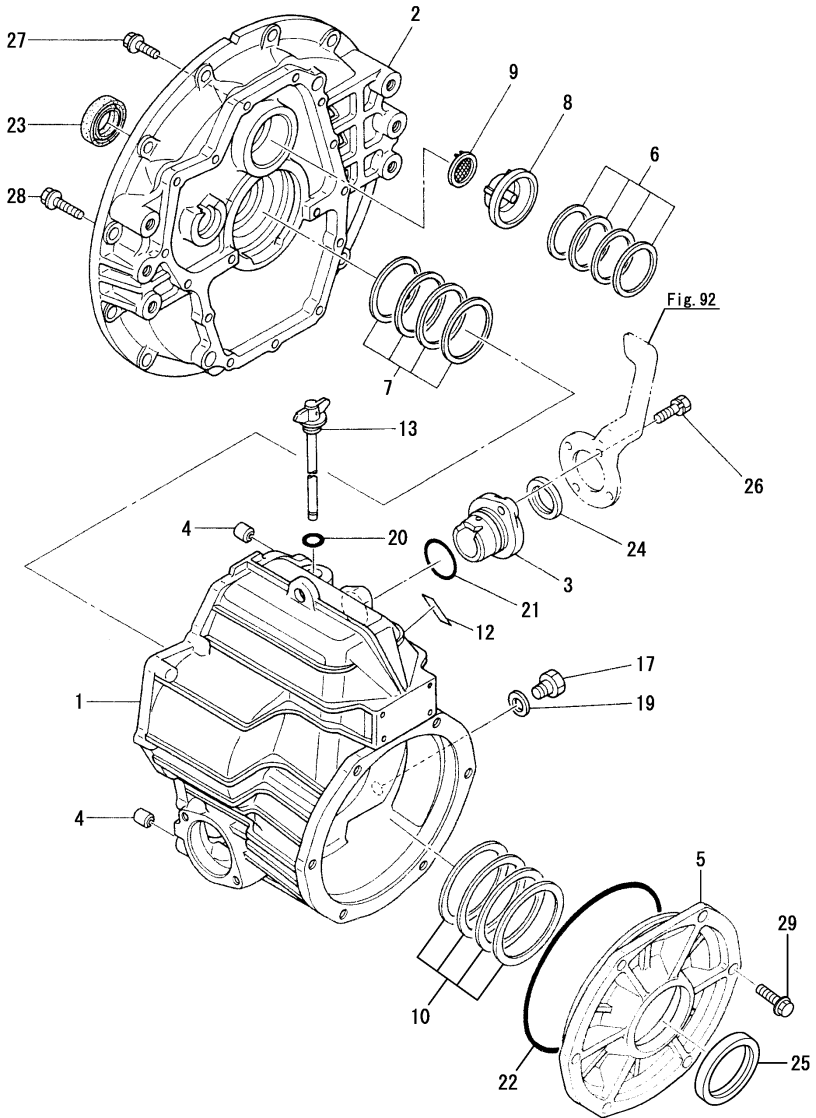
(A)=4LH-TE
(B)=4LH-HTE
(C)=4LH-DTE

(D)=4LH-STE
(E)=
(F)=



No.	Lev.	Parts No.	Description	Q'ty						I	R
				(A)	(B)	(C)	(D)	(E)	(F)		
1	1	719171-92600	GASKET SET	1	1						
1-1	1	719171-92601	GASKET SET	1	1						R
		(A=*1988.04) (B=*1988.04)									
1-2	1	719171-92602	GASKET SET	1	1						R
		(A=*1990.02) (B=*1990.02)									
1A	1	719173-92600	GASKET SET			1	1				
2	2	119171-01340	GASKET, HEAD T=1.3	1	1						
2-1	2	119171-01310	GASKET, HEAD T=1.3	1	1						R
		(A=*1988.04) (B=*1988.04)									
2-2	2	119173-01340	GASKET, HEAD	1	1	1	1				R
		(A=*1990.02) (B=*1990.02)									
2-3	2	119174-01340	GASKET, HEAD T=1.3	1	1	1	1				R
		(A=*1991.12) (B=*1991.12) (C=*1991.12) (D=*1991.12)									
3	2	119000-01770	GASKET	1	1	1					
3-1	2	119000-01771	GASKET	1	1	1	1				N
		(A=*1990.08) (B=*1990.08) (C=*1990.08)									
4	2	124610-01861	GASKET	1	1						
4-1	2	124610-01862	GASKET	1	1						N
		(A=*1990.08) (B=*1990.08)									
5	2	119100-12110	GASKET, MANIFOLD	1	1	1					
5-1	2	119100-12112	GASKET, MANIFOLD	1	1	1	1				R
		(A=*1990.07) (B=*1990.07) (C=*1990.07)									
5-2	2	119100-12113	GASKET, MANIFOLD	1	1	1	1				N
		(A=E11167) (B=E22606) (C=E24300) (D=E52232)									
6	2	119171-13510	GASKET	1	1		1				
6A	2	119173-18811	GASKET				1				
7	2	128300-13230	GASKET, SILENCER	1	1	1	1				
8	2	121850-77020	GASKET	2	1	1					
8-1	2	121850-77021	GASKET	2	1	1	1				N
		(A=*1990.08) (B=*1990.08) (C=*1990.08)									
9	2	119000-32020	GASKET, PUMP	1	1	1	1				
10	2	119000-33020	GASKET	1	1	1					
10-1	2	119000-33021	GASKET	1	1	1					N
		(A=EXXXXX) (B=EXXXXX) (C=EXXXXX)									
10-2	2	119000-33022	GASKET	1	1	1	1				N
		(A=E10724) (B=E21492) (C=E22147)									
11	2	119000-42020	GASKET, WATER PUMP	1	1	1	1				
11-1	2	119000-42021	GASKET, WATER PUMP	1	1	1	1				N
		(A=*1990.08) (B=*1990.08) (C=*1990.08) (D=*1990.08)									
12	2	119101-13200	GASKET	1	1	1					
12-1	2	119171-13200	GASKET, COOLER	1	1	1					N
		(A=E10886) (B=E21719) (C=E22687)									
12-2	2	119174-13201	GASKET, COOLER	1	1	1	1				N
		(A=*2001.06) (B=E23431) (C=E25221)									
12-3	2	119595-13200	GASKET	4	4	4	4				N
		(A=*2003.09) (B=*2003.09) (C=*2003.09) (D=*2003.09)									

Fig.86. CLUTCH HOUSING



(A)=KM5A
(B)=
(C)=

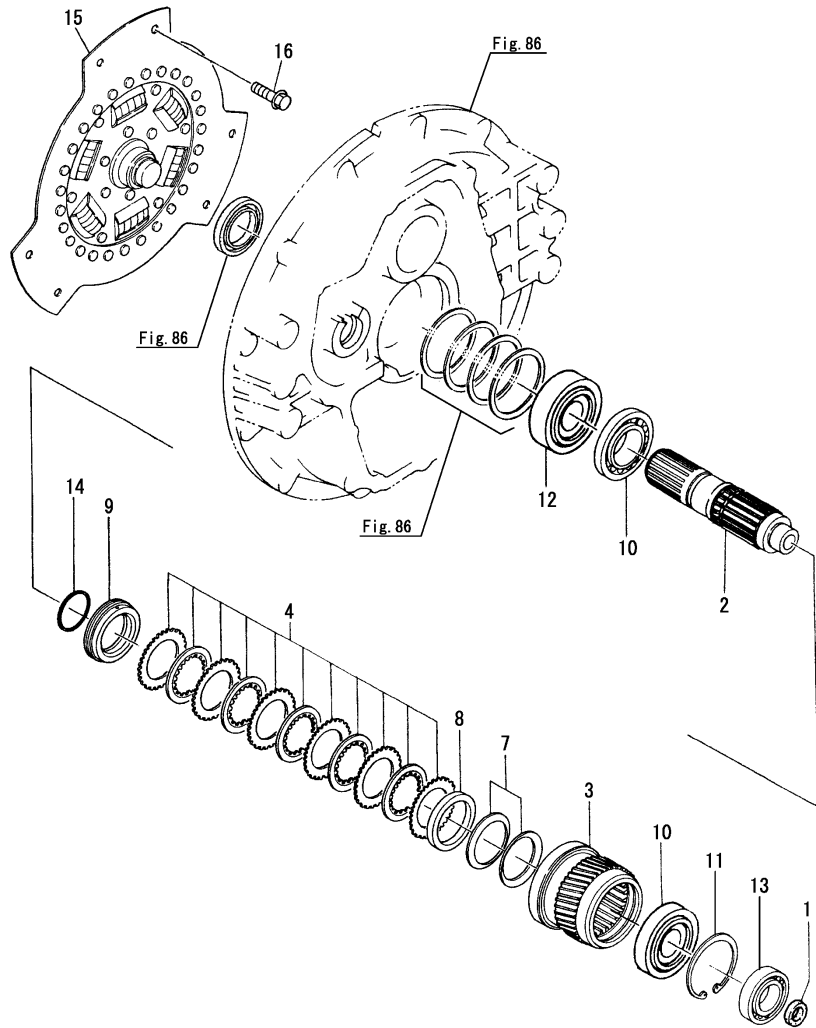
(D)=
(E)=
(F)=

No.	Lev.	Parts No.	Description	Q'ty						I	R
				(A)	(B)	(C)	(D)	(E)	(F)		
1	1	177074-02011	CASE	1							
2	1	177074-02051	FLANGE, #4	1							
3	1	177088-02120	COVER	1							
4	1	177099-02130	PIN, PARALLEL	2							
5	1	177074-02151	COVER	1							
6	1	177075-02150	SHIM SET	2							
7	1	177095-02150	SHIM SET	1							
8	1	177074-02251	CASE, STRAINER	1							
9	1	177073-02261	STRAINER	1							
10	1	177074-02350	SHIM SET	1							
12	1	177073-02430	LABEL	1							
12-1	1	177073-02431	LABEL, DIRECTION	1							N
(A=*1995.07)											
13	1	177074-02500	DIPSTICK ASSY	1							
17	1	177035-02920	PLUG, MAGNET M16X1.5	1							
19	1	23414-160000	GASKET, 16X1.0	1							
20	1	24311-000180	O-RING, 1AP18.0	1							
21	1	24321-000400	O-RING, 1AG40.0	1							
21-1	1	24321-000350	O-RING, 1AG35.0	1							N
(A=EXXXXX)											
22	1	24321-001900	O-RING, 1AG190.0	1							
23	1	24413-355208	SEAL, OIL SC355208	1							
24	1	24421-284008	SEAL, OIL TC284008	1							
25	1	24421-608209	SEAL TC60829, OIL	1							
26	1	26016-080302	BOLT, M8X 30	2							
26-1	1	26013-080302	BOLT, M8X 30	2							R
(A=*1994.12)											
27	1	26016-080352	BOLT, M8X 35	14							
28	1	26016-080502	BOLT M 8X 50	2							
29	1	26016-100352	BOLT, M10X 35	6							

Fig.87. INPUT SHAFT

(A)=KM5A
(B)=
(C)=

(D)=
(E)=
(F)=

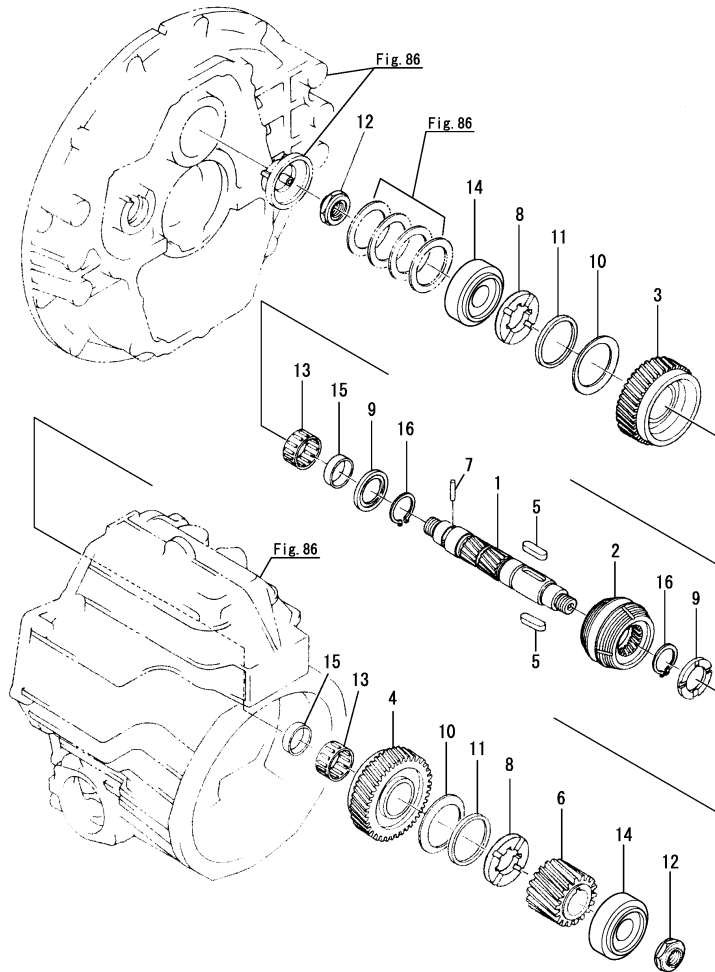


No.	Lev.	Parts No.	Description	Q'ty						I	R
				(A)	(B)	(C)	(D)	(E)	(F)		
1	1	177095-02980	SEAL, OIL	1							
2	1	177074-03011	SHAFT, INPUT	1							
3	1	177074-03031	GEAR, Z=38	1							
4	1	177074-03040	PLATE ASSY	1							
7	1	177074-03090	SPRING	2							
8	1	177074-03100	PLATE	1							
9	1	177074-03111	NUT, LOCK	1							
9-1	1	177074-03112	NUT, LOCK	1							R
(A=EXXXXX)											
10	1	177074-03850	BALL BEARING	2							
11	1	22252-000750	RING, 75	1							
12	1	24142-302070	BEARING, 30207H	1							
13	1	24141-320070	BEARING, 32007	1							
14	1	24311-000440	O-RING, 1AP44.0	1							
15	1	177074-03511	DISK, DAMPER	1							
15-1	1	177074-03950	DISK, DAMPER	1							N
(A=*1988.02)											
15-2	1	177074-03951	DISK, DAMPER	1							R
(A=*1991.01)											
16	1	26106-100202	BOLT, M10X 20 PLATED	6							

Fig.88. CLUTCH SHAFT

(A)=KM5A
(B)=
(C)=

(D)=
(E)=
(F)=



No.	Lev.	Parts No.	Description	Q'ty						I	R
				(A)	(B)	(C)	(D)	(E)	(F)		
1	1	177074-03151	SHAFT, CLUTCH	1							
2	1	177074-03170	CONE, DRIVE	1							
3	1	177074-03200	GEAR, A Z=39	1							
4	1	177074-03230	GEAR, B Z=41	1							
5	1	177090-03230	KEY	2							
6	1	177074-03261	GEAR, Z=25 l=2.57	1							1
6A	1	177074-03271	GEAR, Z=29 l=2.07	1							2
6B	1	177074-03290	GEAR, Z=36	1							3
7	1	177088-03290	PIN	1							
8	1	177074-03311	COLLAR, THRUST	2							
9	1	177074-03321	COLLAR, THRUST	2							
10	1	177074-03330	SPRING	2							
11	1	177074-03340	RETAINER	2							
12	1	177074-03401	NUT, LOCK	2							
13	1	177074-03860	NEEDLE BEARING	2							
14	1	24142-322060	BEARING, 32206H	2							
15	1	24163-320200	RING, INNER 324020	2							
16	1	24164-000322	CIRCLIP, 32	2							

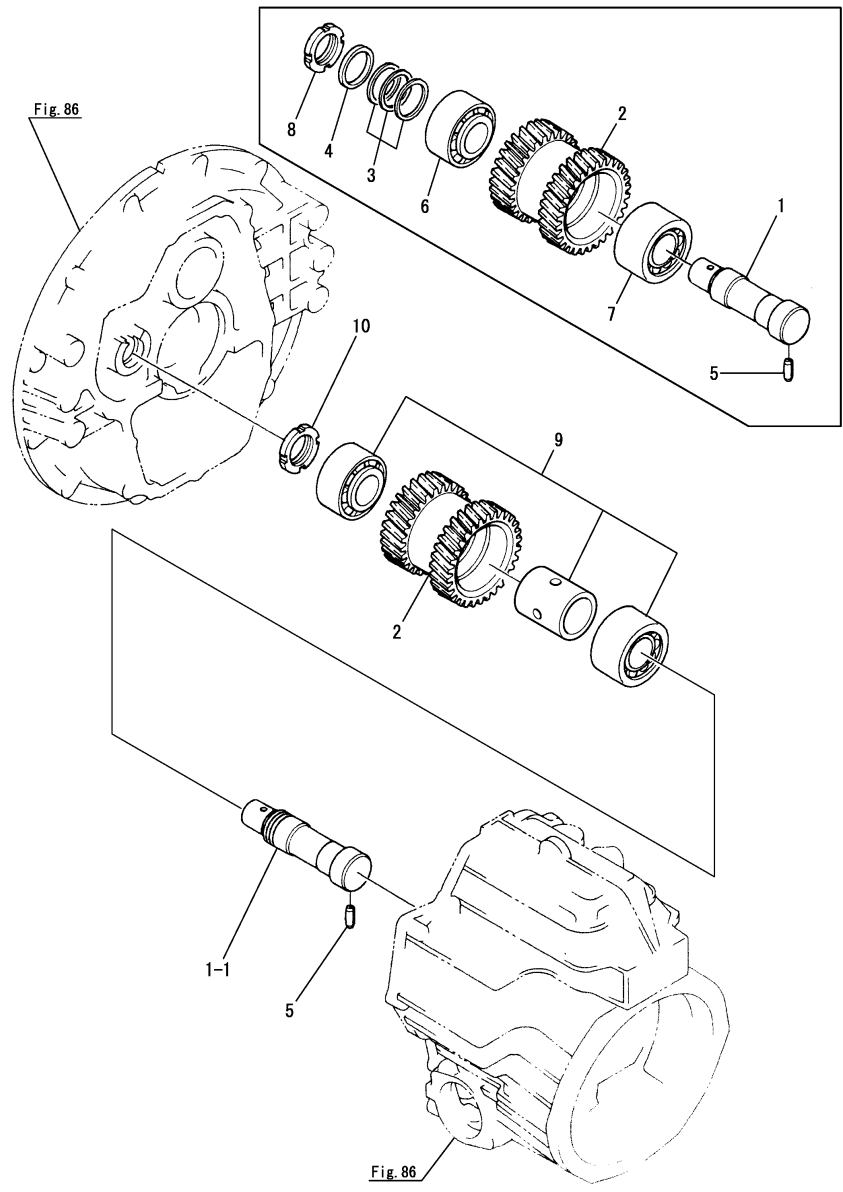
Remarks

- (1)l=2.57
- (2)l=2.07
- (3)l=1.46

Fig.89. SUPPORT SHAFT

(A)=KM5A
(B)=
(C)=

(D)=
(E)=
(F)=



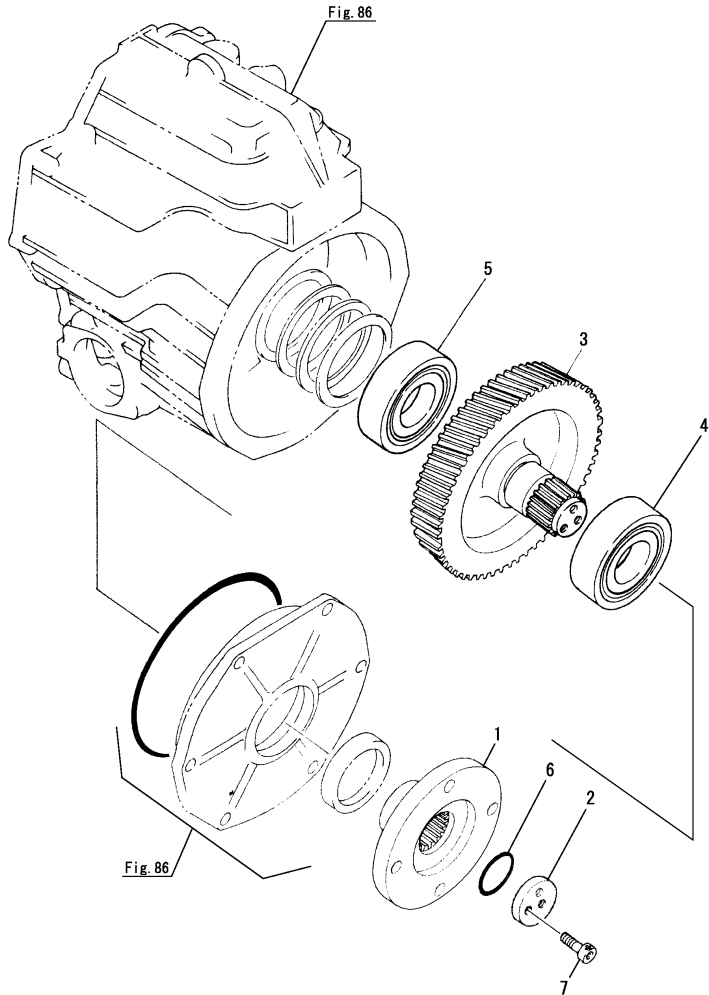
No.	Lev.	Parts No.	Description	Q'ty						I	R
				(A)	(B)	(C)	(D)	(E)	(F)		
1	1	177074-03360	SHAFT	1							
1-1	1	177074-03361	SHAFT	1							S 1
(A=*1987.11)											
2	1	177074-03380	GEAR, IDLE 38-40	1							
3	1	177074-03410	SHIM SET	1							Z
(A=*1987.11)											
4	1	194250-25520	SPACER, 35X45X2	1							Z
(A=*1987.11)											
5	1	22351-080016	PIN, SPRING 8.0X16	1							
6	1	24141-302070	BEARING, 30207	1							Z
(A=*1987.11)											
7	1	24142-322070	BEARING, 32207H	1							Z
(A=*1987.11)											
8	1	24211-030002	NUT, BEARING 30	1							Z
(A=*1987.11)											
9	1	177074-03420	BEARING	1							W 1
(A=*1987.11)											
10	1	24211-035002	NUT, BEARING 35	1							W 1
(A=*1987.11)											

Remarks
(1)Interchangeable by simultaneous replacement with Ref.No.No.9,10.

Fig.90. OUTPUT SHAFT

(A)=KM5A
(B)=
(C)=

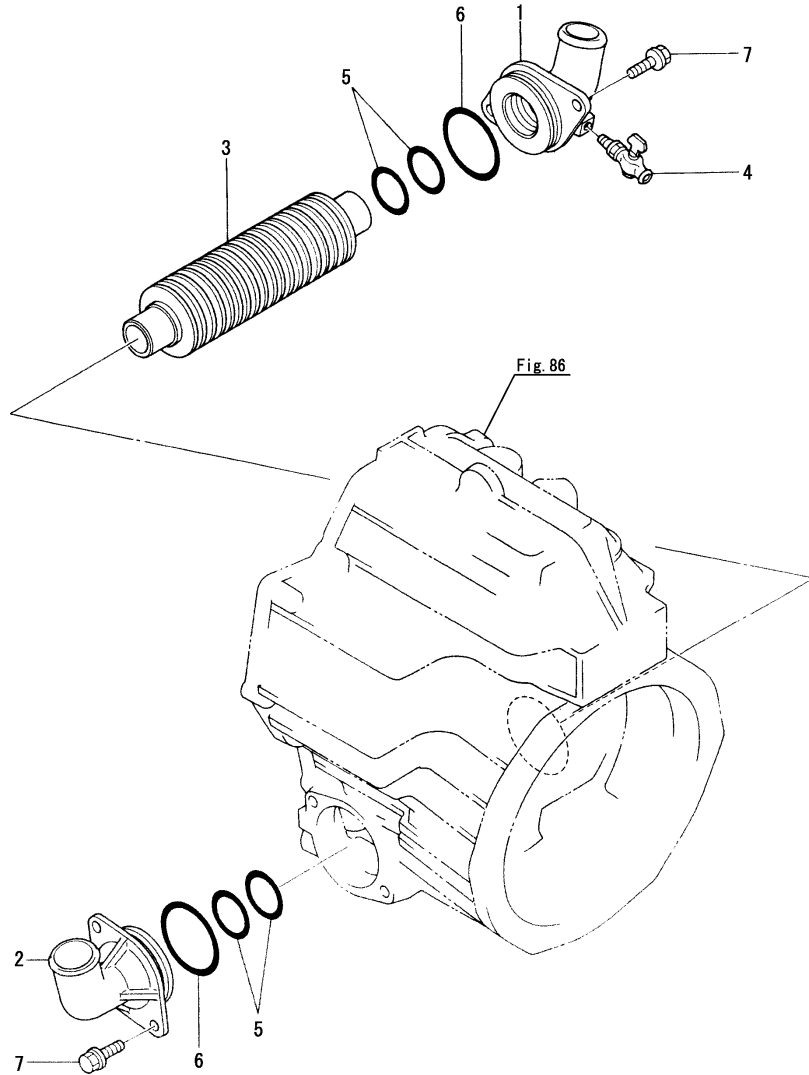
(D)=
(E)=
(F)=



No.	Lev.	Parts No.	Description	Q'ty						I	R
				(A)	(B)	(C)	(D)	(E)	(F)		
1	1	177074-03500	COUPLING	1							
2	1	177074-03540	PLATE	1							
3	1	177074-03611	SHAFT, Z=61 l=2.57	1							1
3A	1	177074-03621	SHAFT, Z=57 l=2.07	1							2
3B	1	177074-03640	SHAFT, Z=50 l=1.46	1							3
4	1	24142-303090	BEARING, 30309H	1							
5	1	24144-303090	BEARING, 30309DH	1							
6	1	24321-000400	O-RING, 1AG40.0	1							
7	1	26450-100202	BOLT, M10X 20	3							

Remarks
(1)l=2.57
(2)l=2.07
(3)l=1.46

Fig.91. LUB. OIL COOLER(CLUTCH)



(A)=KM5A
(B)=
(C)=

(D)=
(E)=
(F)=

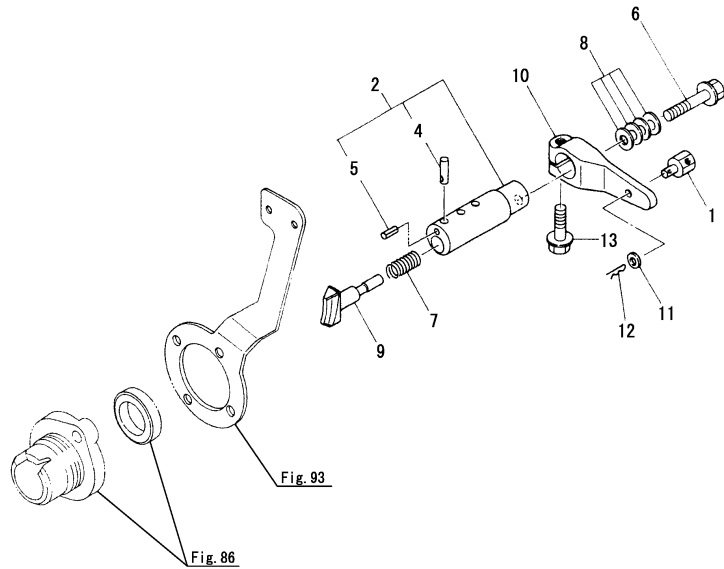
No.	Lev.	Parts No.	Description	Q'ty						I	R
				(A)	(B)	(C)	(D)	(E)	(F)		
1	1	177074-04020	COVER(R)	1							
2	1	177074-04030	COVER(L)	1							
3	1	177074-04051	TUBE, FIN	1							
4	1	128695-44090	COCK	1							
5	1	24311-000340	O-RING, 1AP34.0	4							
6	1	24321-000550	O-RING, 1AG55.0	2							
7	1	26016-080252	BOLT, M8X 25	4							
7-1	1	26016-080202	BOLT, M8X 20	4							N

(A=FROM 1ST)

Fig.92. REMOTE CONTROL DEVICE

(A)=KM5A
(B)=
(C)=

(D)=
(E)=
(F)=



No.	Lev.	Parts No.	Description	Q'ty						I	R
				(A)	(B)	(C)	(D)	(E)	(F)		
1	1	177073-06200	PIVOT	1							
1-1	1	177073-06200	PIVOT	1							F 1
(A=*1987.11)											
1-2	1	177073-06210	PIVOT	1							N
(A=*2000.11)											
2	1	177088-06340	SHAFT ASSY	1							
4	2	196322-06610	PIN, PARALLEL 5X18	1							
5	2	22351-020012	PIN, SPRING 2.0X12	1							
6	1	177088-06360	BOLT	1							
7	1	177088-06370	SPRING	1							
8	1	177088-06380	SHIM SET	1							
9	1	177088-06390	SHIFTER	1							
10	1	177088-06400	LEVER	1							
10-1	1	177088-06401	LEVER	1							R
(A=EXXXXX)											
11	1	22137-060000	WASHER, 6	1							
12	1	22417-160120	PIN, COTTER 1.6X12	1							
12-1	1	22417-200120	COTTER PIN 2.0X12	1							S 1
(A=*1987.11)											
12-2	1	22417-250200	PIN, COTTER 2.5X20	1							R
(A=*1994.11)											
13	1	26106-080252	BOLT, M8X 25 PLATED	1							

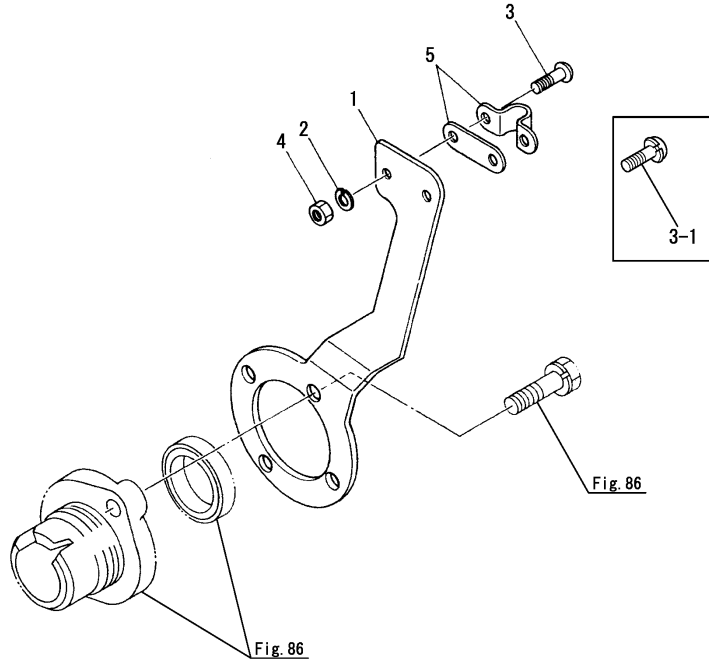
Remarks

(1)Interchangeable by simultaneous replacement with Ref.No.1-1,12-1.
Ref.No.1-1 Rev.1.

Fig.93. REMOTE CONTROL PASSIVE UNIT

(A)=KM5A
(B)=
(C)=

(D)=
(E)=
(F)=

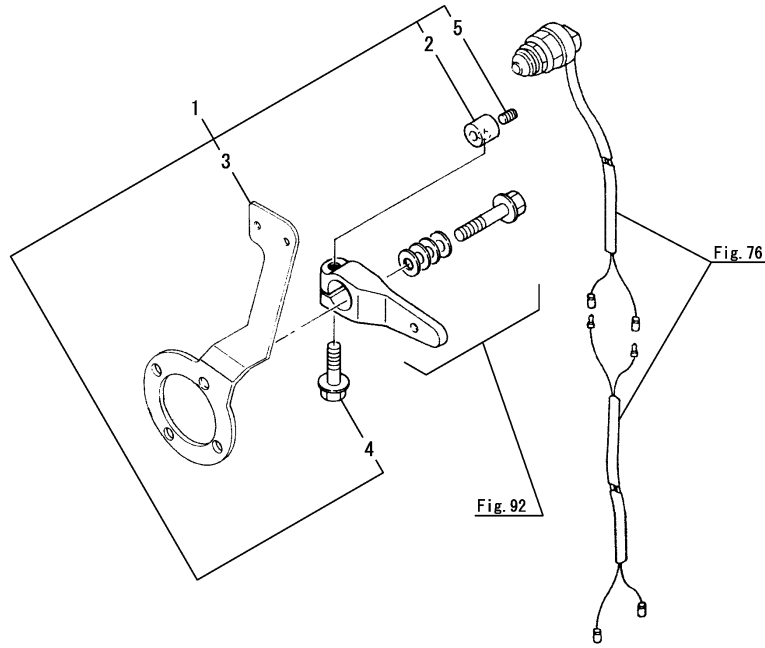


No.	Lev.	Parts No.	Description	Q'ty						I	R
				(A)	(B)	(C)	(D)	(E)	(F)		
1	1	177073-06600	STAY	1							
2	1	22217-050000	WASHER, SPRING 5	2							
2-1	1	22212-050000	WASHER 5	2							R
2-2	1	22212-050000	WASHER 5	2							Z
3	1	26557-050162	SCREW, M5X16	2							
3-1	1	26022-050162	SCREW, M5X16	2							N
4	1	26716-050002	NUT, M5	2							
5	1	41710-000410	CLAMP	1							

Fig.94. SAFETY SWITCH STAY(OPTIONAL)

(A)=KM5A
(B)=
(C)=

(D)=
(E)=
(F)=



No.	Lev.	Parts No.	Description	Q'ty						I	R
				(A)	(B)	(C)	(D)	(E)	(F)		
1	1	177074-06580 (A=*1994.08)	STAY ASSY, SWITCH	1							W
2	2	177074-06300	CONTACT		1						
3	2	177074-06600	STAY		1						
4	2	26116-080302	BOLT, M8X 30 PLATED		1						
5	2	26979-040082	SCREW, M4X 8		1						

Parts No. Index

Parts No.	Fig. No.	Ref. No.
101304-59020	58	2 -1
	60	7
103854-39140	26	16
104200-92350	84	3
104200-92600	84	4
104264-59020	26	18
	58	2
104271-91351	77	2
104271-91352	81	12
	82	15
	83	18
104407-44480	46	4 -1
105311-67200	64	2
106100-55800	1	45
	49	10
	55	12
	68	28
114250-53080	56	9
114250-53120	56	13
114250-53130	56	14
114250-53140	56	15
114250-53210	56	16
114250-53400	56	17
114780-61090	52	69 -1
	53	89 -1
119000-01200	1	29
119000-01500	2	1
119000-01520	2	2
119000-01650	5	2
119000-01740	2	4
119000-01760	2	29
119000-01770	2	5
	85	3
119000-01771	2	5 -1
	85	3 -1
119000-01840	1	12
119000-01880	1	11 A
119000-01930	2	10
119000-01931	2	10 -1
119000-02020	1	19
119000-02410	1	5
119000-02450	12	2
119000-07200	8	44
119000-11170	8	8
119000-11230	8	31 -1
119000-11260	8	39
119000-11270	8	35
119000-11280	8	36
119000-11290	8	37
119000-11990	8	11 -1

Parts No.	Fig. No.	Ref. No.
119000-14100	12	4
119000-14200	12	6
119000-21650	27	9
119000-22300	28	9
119000-25050	12	9
119000-25060	12	12
119000-25100	12	10
119000-25910	55	2 A
119000-25920	55	3
119000-32000	29	1
119000-32001	29	1 -1
119000-32020	29	2
	85	9
119000-33020	31	10
	85	10
119000-33021	31	10 -1
	85	10 -1
119000-33022	31	10 -2
	85	10 -2
119000-33030	31	11
119000-33040	31	12
119000-33041	31	12 -1
119000-34030	31	3
119000-35140	32	2
119000-39650	1	46
119000-42020	39	7
	85	11
119000-42021	39	7 -1
	85	11 -1
119000-42051	39	3
119000-42141	39	5
119000-42150	39	4
119000-42151	39	4 -1
119000-51050	50	4
119000-51060	50	6
119000-51150	50	12
119000-51151	50	12 -1
119000-51161	50	15
119000-51170	50	52
119000-51181	50	61
119000-51201	50	16
119000-51250	50	18
119000-51330	50	23
119000-51410	50	27
119000-51411	50	27 -1
119000-51430	50	13
119000-51450	50	29
119000-51510	50	32
119000-51511	50	32 -1
119000-51530	50	33

Parts No.	Fig. No.	Ref. No.
119000-51550	50	34
119000-51570	50	35
119000-51580	50	36
119000-51590	50	37
119000-51650	50	38
119000-51800	50	40
119000-51900	50	42
119000-51911	50	44
119000-52000	50	64
	54	1
119000-59550	59	2
	60	2
119000-61011	51	3
119000-61050	51	4
119000-61051	51	4 -1
119000-61052	52	65
	53	86 -1
119000-61090	51	9
	52	68
119000-61100	51	9 A
	52	70
119000-61110	51	9 B
	52	71
119000-61120	51	8
	52	6
	53	13
119000-61140	51	9 C
	52	72
119000-61150	51	9 D
	52	73
119000-61160	51	9 E
	52	74
119000-61170	51	10
	52	7
119000-61180	51	11
	52	75
	53	91
119000-61310	51	15
	52	84
119000-61320	51	16
119000-61400	51	19
119000-61430	51	22
119000-61470	51	25
	52	89
	53	114
119000-61490	51	27
	52	17
	53	17
119000-61630	51	51
	52	34

Parts No.	Fig. No.	Ref. No.
119000-61630	53	38
119000-61841	51	58
119000-77250	68	21
119005-35100	32	1 -1
119005-35160	32	1 -2
119005-77350	68	25 -1
	70	24
		24 -1
119100-01640	5	1
119100-01730	4	7
119100-01770	4	1
119100-01980	1	35
119100-03200	9	4
119100-11080	8	5
119100-11090	8	6
119100-11230	8	28 -1
119100-11240	8	28
119100-11310	9	3
119100-11311	9	3 -1
119100-11320	9	7 A
		14
119100-11330	9	5
119100-11360	9	9
119100-11990	8	12 -1
119100-12100	10	1
119100-12110	10	2
	85	5
119100-12112	10	2 -1
	85	5 -1
119100-12113	10	2 -2
	85	5 -2
119100-12120	25	1
119100-26200	40	18
119100-35090	32	3
	33	10
119100-35100	32	1
119100-51080	50	7
119100-51081	50	7 -1
119100-51090	50	8
119100-51091	50	8 -1
119100-51101	50	10
119100-51500	50	31
119100-59810	57	10 A
119100-59820	57	11 A
119100-59830	57	12 A
119100-59840	57	13 A
119100-61771	51	54
	52	42
119100-61860	51	59
	52	47

Parts No. Index

Parts No.	Fig. No.	Ref. No.
119101-11110	8	15
119101-13200	41	33
	85	12
119129-77210	67	16
119129-77250	70	14
119129-77260	70	15
119129-77320	70	3
119129-77890	70	21
119129-77900	70	22
119129-77930	70	19
119171-01100	1	11
119171-01101	1	11 -1
119171-01300	1	31 -1
119171-01310	1	30 -1
	85	2 -1
119171-01320	1	32 -1
119171-01330	1	31
119171-01340	1	30
	85	2
119171-01350	1	32
119171-01600	3	1
119171-01601	3	1 -1
119171-01980	49	1
119171-03091	9	10
119171-03100	9	10 -1
119171-07500	6	19
119171-07501	6	19 -1
119171-08100	7	1
119171-08110	7	2
119171-08111	7	2 -1
119171-08130	7	3
119171-08131	7	3 -1
119171-08440	7	7
119171-11110	8	15 -1
119171-11150	8	18 A
119171-11370	8	21
119171-12300	13	2
119171-12301	13	2 -1
119171-13200	41	33 -1
	85	12 -1
119171-13490	11	2
119171-13510	11	10
		17
	85	6
119171-13530	11	11
119171-13550	11	15
119171-14000	12	1
119171-14400	12	7 -1
119171-18010	13	1
	14	1

Parts No.	Fig. No.	Ref. No.
119171-18150	25	7
119171-21590	27	15
119171-21591	27	15 -1
119171-21650	27	12
119171-22000	28	1
119171-22001	28	1 -1
119171-25900	55	1
119171-25910	55	2
119171-25920	55	1 -1
119171-33020	30	2
119171-33050	30	3
119171-33100	30	6
119171-33160	30	7
119171-34810	4	16
119171-34820	4	18
119171-34850	4	22
119171-39350	34	11
119171-39351	34	11 -1
119171-39600	34	2
119171-39650	34	4
119171-39670	34	5
119171-42000	39	1
119171-42001	39	1 -1
119171-42002	39	1 -2
119171-42003	39	1 -3
119171-42300	39	6 -1
119171-42500	40	1
119171-42501	40	1 -1
119171-42510	40	4
119171-42520	40	6
119171-42530	40	7
119171-42540	40	8
119171-44000	41	2
119171-44110	41	5
119171-44450	41	7
119171-44470	41	8
119171-48610	48	2
119171-49010	11	27
	43	1 A
119171-49030	43	2
119171-49070	43	4
	44	2
119171-49110	43	5
119171-49160	1	34
119171-49200	45	3
119171-49240	45	4
119171-49250	45	5
119171-49300	46	1
119171-49310	46	2
119171-49320	46	3

Parts No.	Fig. No.	Ref. No.
119171-49330	46	4
119171-49530	47	1
119171-49700	43	6
119171-49710	43	7
119171-51900	49	2
119171-53000	56	4
		5 -1
119171-59200	49	4
119171-59810	57	10
119171-59820	57	11
119171-59830	57	12
119171-59840	57	13
119171-59910	58	5
119171-59990	59	5
119171-67100	64	1
119171-67200	49	5
119171-77250	68	21 -1
	70	29
119171-77330	68	22 -1
	70	30
119171-77700	74	1
119171-77701	74	1 -1
119171-77710	74	2 -1
119171-77811	73	4
119171-77812	73	4 -1
119171-77813	73	4 -2
119171-77814	73	4 -3
119171-77820	73	11
119171-77850	73	6
119171-77980	74	3
119171-81100	71	1
119171-81110	71	2
119171-81120	71	3
119171-85900	72	1
119171-91180	80	1
119172-02210	1	55
119172-02310	1	61
119172-07500	6	19 A
119172-07501	6	19 A-1
119172-18010	13	1 -1
	15	1
119172-18011	13	1 -2
	16	1
119172-18100	23	1
119172-18101	23	1 -1
119172-18102	23	1 -2
	95	1
119172-18110	25	2
119172-18120	25	4
119172-18121	25	4 -1

Parts No.	Fig. No.	Ref. No.
119172-18140	25	6
	26	4
119172-18150	25	8
119172-18210	23	3
	95	3
		14
119172-18220	23	4
119172-18221	23	4 -1
119172-18230	23	5
	95	4
		15
119172-18240	23	6
119172-18241	23	6 -1
119172-18250	23	8
		8 -1
119172-18260	23	9 -1
119172-18270	23	7 -2
119172-18280	95	5
		16
119172-18290	95	6
		17
119172-18300	95	7
		18
119172-18500	23	12
119172-18550	23	14
	24	14
119172-23310	28	24
119172-23400	28	22
119172-48130	1	39 -1
119172-48250	46	5 -2
119172-48480	45	7 -1
119172-48540	45	8 -1
119172-49060	43	3
119172-49750	43	17
119172-51901	49	3
119172-51902	49	3 -1
119172-53000	56	5
119172-59201	58	4 -1
119172-77150	70	31
119172-77160	8	49
119173-01330	1	31 -2
119173-01340	1	30 -2
	85	2 -2
119173-01350	1	32 -2
119173-03020	9	15
119173-03030	9	17 -1
119173-03090	9	26
119173-03100	9	26 -1
119173-03110	9	26 -2
119173-07500	6	19 B

Parts No. Index

Parts No.	Fig. No.	Ref. No.
119173-08100	7	1 -1
119173-08110	7	15
119173-08330	7	8
119173-08440	7	7 -1
119173-11080	8	5 A
119173-11090	8	6 A
119173-11091	8	6 A-1
119173-11100	8	14 A
119173-11101	8	14 A-1
119173-11110	8	15 A
119173-11240	8	28 A
119173-11300	9	12
119173-11350	8	40
119173-13500	11	1
119173-13501	11	1 -1
119173-18010	17	1
	18	1
119173-18011	17	1 -1
	19	1
119173-18100	23	1 A
119173-18101	23	1 A-1
119173-18102	23	1 A-2
	95	12
119173-18110	25	3
119173-18120	25	5
119173-18121	25	5 -1
119173-18130	25	9
119173-18160	25	26
119173-18230	23	5 A
119173-18500	23	13
119173-18501	23	13 -1
	24	13
119173-18550	23	15
119173-18560	23	16
119173-18561	23	16 -1
	24	15
119173-18562	23	16 -2
	24	15 -1
119173-18700	25	10
119173-18710	11	30
119173-18800	25	11
119173-18810	11	18
119173-18811	11	18 -1
	85	6 A
119173-18850	17	2
119173-18860	13	2 -2
	17	2 -1
119173-18880	13	3
	17	3 -1
119173-18900	17	7

Parts No.	Fig. No.	Ref. No.
119173-18940	17	8
119173-22000	28	1 A
119173-22001	28	1 A-1
119173-22300	28	9 A
119173-33010	30	15
119173-33100	30	23
119173-33150	30	43
119173-34810	4	17
119173-35140	33	2
119173-39300	33	25
119173-39350	33	40
119173-39380	33	30
119173-39500	33	31
119173-39510	33	32
119173-39750	34	4 A
119173-39900	34	19
119173-49010	11	6
	43	1
119173-49110	43	5 A
119173-49160	1	34 A
119173-49170	1	37
119173-49300	46	1 A
119173-49320	46	3 B
119173-49350	46	2 A
119173-49710	43	14
119173-49720	43	15
119173-49730	43	7 A
119173-49740	43	18
119173-49750	43	19
119173-49910	46	3 A
119173-49911	46	3 A-1
119173-53001	56	6
119173-55700	62	20
119173-59120	60	8
119173-59121	60	8 -1
119173-59122	60	8 -2
119173-59460	60	8 A
	61	4 A
119173-59540	60	8 -3
	61	4 -4
119173-61010	52	4
119173-61030	52	3 A
119173-61200	51	13
	52	76
	53	97
119173-61400	52	9
	53	8
119173-61440	52	12
119173-61651	52	98
	53	123

Parts No.	Fig. No.	Ref. No.
119173-61660	52	99
	53	124
119173-67310	64	25
119173-77810	73	5
119173-77811	73	5 -1
119173-77812	73	5 -2
119173-77813	73	5 -3
119173-77820	73	12
119174-01200	1	29 A
119174-01330	1	31 -3
119174-01340	1	30 -3
	85	2 -3
119174-01350	1	32 -3
119174-01932	9	16 A
119174-03192	9	23
119174-13201	41	33 -2
	42	32
	85	12 -2
119174-13501	11	25
119174-13553	11	26
119174-18040	26	19 -1
119174-18061	20	6
119174-18062	20	6 -1
119174-18070	20	7
119174-18102	24	2
119174-18110	26	1
119174-18120	26	2
119174-18130	26	3
119174-18160	26	5
119174-18170	26	6
119174-18240	24	3
119174-18250	24	4
119174-18260	24	5
119174-18270	24	5 A
119174-25060	12	13
119174-33100	30	24
119174-39560	1	48
119174-39700	9	31
119174-42500	40	1 A
119174-42501	40	1 A-1
119174-44001	42	2
119174-44002	42	2 -1
119174-44440	42	6
119174-44450	42	7
119174-44470	42	8
119174-49060	44	1
119174-49110	43	5 A-1
	44	3
119174-49250	45	3 A
119174-49310	46	12

Parts No.	Fig. No.	Ref. No.
119174-49341	46	14
119174-61500	53	18
119174-61550	53	115
119174-67300	64	36
119174-67310	64	37
119174-67450	64	39
119174-67900	64	40
119175-03021	9	15 A
119175-07500	6	19 C
119175-08110	7	11
119175-08111	7	11 -1
119175-08120	7	9 -1
119175-11910	8	22 -2
119175-39350	33	30 -1
119175-39710	33	43
119175-39720	33	26 -1
119175-39730	3	6
119175-51030	50	3 -1
		3 A
119175-51070	50	60 -1
119175-51340	50	24 A
119175-53000	56	6 A
119175-53300	56	20
119175-54580	55	15
119175-77270	68	21 -2
	70	29 -1
119181-01990	1	35 A
119181-08110	7	9
119181-13500	11	9
119181-22080	28	1 B
119181-22081	28	1 B-1
119181-39400	33	17 A
119181-39401	33	17 A-1
119181-39500	33	31 -1
119181-44110	42	5
119181-49700	44	12
119181-49710	44	13
119181-49720	44	5
119181-49721	44	5 -1
119181-49722	44	5 -2
119181-49740	44	14
119181-49741	44	14 -1
119181-59120	57	24
119181-59810	57	19
119181-59811	57	19 -1
119181-59820	57	20
119181-59821	57	20 -1
119181-59830	57	21
119181-59831	57	21 -1
119181-59840	57	22

Parts No. Index

Parts No.	Fig. No.	Ref. No.
119181-59841	57	22 -1
119181-59950	61	13
119181-67150	64	46
119181-67160	64	12 -1
		46 -1
119182-03100	9	27
119182-08110	7	12
119182-33000	30	1
119182-59561	59	3 -1
119182-59562	59	3 -2
119183-13550	11	19
119183-13560	11	20
119183-49010	11	21
119184-01730	4	7 A
119184-39650	34	4 B
119187-01930	2	10 A
	9	16
119187-18810	24	16
119187-32000	29	5
119187-35100	33	14
119187-35160	33	24
119187-35161	33	24 -1
119187-39320	33	26
119187-39330	33	27
119187-39360	33	28
119187-39370	33	29
119187-39400	33	17
119187-39441	34	15
119187-39600	34	2 -1
119187-39610	34	2 -2
119187-39650	1	47
119187-44440	41	6
119187-49300	46	1 -1
119187-49320	46	3 -1
		3 -2
119187-49321	46	3 -3
119187-49330	46	10
119187-49331	46	10 -1
119187-49340	46	6
119187-49350	46	2 -1
119187-49360	46	7
119187-51030	50	3
119187-51341	50	24
119187-51500	50	31 -1
119187-59011	58	12
119187-59012	58	12 -1
119187-59013	58	12 -2
119187-59020	58	10
119187-59021	58	10 -1
119187-59022	58	10 -2

Parts No.	Fig. No.	Ref. No.
119187-59530	61	4
119187-59531	61	4 -2
119187-59532	61	4 -3
119187-59950	60	11
119187-61071	51	5
	52	66
	53	87
119187-61190	51	12
	52	8
	53	58
119187-61300	51	14
	52	83
	53	104
119187-61310	51	29
	52	19
119187-61440	51	23
119187-61500	51	28
	52	18
119187-61551	51	43
	52	90
119187-61612	51	35
	52	25
119187-61911	52	27
	53	27
119187-61920	52	28
	53	28
119187-61930	52	29
	53	29
119187-67150	64	12
119192-61310	51	15 A
	52	84 A
119192-61320	51	15 B
	52	84 C
119192-61330	51	15 C
	52	84 D
119194-59950	60	11 -1
119195-14000	12	1 A
119195-18030	20	1
	21	1
119195-18031	20	1 -1
	22	1
119195-18860	20	2
119195-18880	20	3 -1
119370-07100	6	7
119370-59040	26	19
119573-51200	50	16 A
119573-61010	53	4
119573-61030	53	3 A
119573-77200	69	1 -1
119573-77201	69	1 -2

Parts No.	Fig. No.	Ref. No.
119573-77201	70	1
119573-77250	70	33
119573-77260	70	34
119573-77270	70	35
119574-59980	60	10 -2
	61	6 -2
119575-01750	3	2 -1
119575-77200	73	19
119575-77510	73	7 -2
119575-77511	73	7 -3
119588-52180	54	24
119588-52190	54	16 A
119588-61700	53	50
119593-01870	1	10 -1
119593-11110	8	15 B
119593-11870	8	46
119593-11880	8	47
119593-11910	8	22 -1
119593-18370	24	6
119593-51100	50	10 A
119593-51300	50	21 A
119593-51520	50	62
119593-51530	50	33 A
119593-52000	50	65
	54	1 A
119593-52180	54	15 A
119593-53080	56	9 A
119593-53120	56	13 A
119593-53130	56	14 A
119593-53140	56	15 A
119593-59580	59	4 -1
	60	4 -1
119593-59590	59	7
		7 -1
	60	18
		18 -1
	61	14
		14 -1
119593-59920	60	9 -1
	61	5 -1
119593-59960	60	19
	61	15
119593-59980	60	10 -1
	61	6 -1
119593-61100	53	90
119593-61110	53	90 A
119593-61120	53	90 B
119593-61130	53	90 C
119593-61140	53	90 D
119593-61150	53	90 E

Parts No.	Fig. No.	Ref. No.
119593-61310	52	84 B
119593-61650	53	44
119593-61760	53	51
119593-61800	53	53
119593-61830	53	57
119593-61860	53	60
119593-61890	53	61
119593-61900	53	126
119593-61910	53	127
119593-61920	53	128
119593-61990	53	131
119594-53290	56	19
119594-61850	53	59
119595-13200	41	33 -3
	42	32 -1
	85	12 -3
119595-59950	61	13 -1
119595-61170	53	36
119620-01750	3	2
119620-49290	23	11 -1
	24	10 -1
	41	34 -1
	42	33 -1
	95	22
119625-11870	8	48
119625-11880	8	41
119625-11900	8	42
	56	23
119640-01640	4	5 -1
119773-13160	41	4 -1
	42	4 -1
119773-77030	67	37 -1
119773-91500	75	6 -1
119773-91501	75	6 -2
119773-91850	64	27 -1
	74	4 -1
119885-01990	8	13 -1
120130-39990	35	2 -1
120130-49350	23	11
	24	10
	30	12
	41	34
	42	33
120130-61600	53	25
120130-91860	81	6
120147-91230	80	3
120147-91760	80	4
	83	14
120220-66250	64	22
120270-77101	76	4

Parts No. Index

Parts No.	Fig. No.	Ref. No.
120320-61540	52	33
	53	34
120323-61070	51	6
	52	67
120323-61420	53	10
120323-61430	52	5
	53	7
120323-61470	51	26
	52	15
120323-61710	51	53
	52	100
120324-07240	6	10
120324-55750	63	52
120324-55751	63	52 -1
120324-55760	63	53
120324-91900	82	47
120324-91950	82	48
120325-61100	52	114 -1
	53	145 -1
120445-44530	41	29 -1
120445-44540	41	30
	42	28
120445-44600	41	9
	42	9
120445-44620	6	5
	41	12
	42	12
120445-44640	41	13
	42	13
120445-49150	44	4
	45	2
121023-01550	2	3
121023-01551	2	3 -1
121236-77340	68	28 -1
	70	23
		23 -1
121252-39150	34	1
121254-77011	66	1
121254-77012	66	1 -1
121254-77019	66	1 -2
	67	1
121254-77400	66	2
121254-77401	66	2 -1
121254-77402	67	2
121254-77410	66	3
	67	3
121254-77420	66	4
	67	4
121254-77430	66	5
121254-77480	66	6

Parts No.	Fig. No.	Ref. No.
121254-77480	67	5
121254-77520	66	10
121254-77521	67	9
121254-77540	66	12
121254-77541	67	10
121254-77550	66	13
	67	11
121254-77560	67	11 A
121254-77570	66	14
121254-77571	67	12
121254-77580	66	15
121254-77581	67	13
121254-77590	66	16
	67	14
121254-77600	66	17
	67	15
121254-77610	66	18
121254-77640	66	20
	67	18
121254-77661	66	22
	67	20
121254-77670	66	23
121254-77671	67	21
121254-77681	66	24
	67	22
121254-77700	66	25
	67	24
121254-77730	66	28
	67	27
121254-77770	66	29
	67	31
121254-77780	66	30
121254-77790	66	31
	67	33
121254-77810	66	32
	67	34
121420-01760	9	2
121522-77330	68	22
121550-49111	1	33
	30	11
121574-86320	64	7
121575-91250	78	35
	79	35
	81	10
	82	13
	83	16
	97	2
121750-03080	9	20
121750-59890	9	28
	58	14

Parts No.	Fig. No.	Ref. No.
121750-59890	73	2
121750-59910	61	12
121820-52020	54	2
121820-52040	54	4
121820-52050	54	5
121820-52070	54	6
121820-52170	54	14
121820-52180	54	15
121820-52190	54	16
121820-52200	54	17
121820-52210	54	18
121820-52230	54	19
121820-52300	54	20
121820-52400	54	21
121820-52510	54	22
121850-01800	2	6
121850-01900	55	8
121850-01920	2	9
	30	26
121850-03050	9	18
121850-11100	8	14
121850-11150	8	18
		18 -1
121850-11160	8	7
121850-21130	27	14
121850-21200	27	4
121850-21290	27	5
121850-21660	27	10
121850-21680	27	11
121850-21920	27	7
121850-23200	28	15
121850-42250	39	8
121850-42280	39	9
121850-49540	47	2
121850-49550	47	3
121850-49810	47	4
121850-49811	47	4 -1
121850-51700	50	39
121850-61470	53	15
121850-61670	52	41
	53	47
121850-77020	23	17
	25	14
	85	8
121850-77021	23	17 -1
	24	17
	25	14 -1
	26	9
	85	8 -1
121850-77100	25	15

Parts No.	Fig. No.	Ref. No.
121855-61910	51	60
	52	48
121857-55630	62	2
121857-55710	62	5
121857-55730	62	6
121857-55740	62	7
121857-55750	62	3
121857-55760	62	4
121857-55800	62	1
121952-51900	50	43
		46 A
122710-51050	50	5
122710-51350	50	26
122710-51920	50	45
122780-59080	57	1 -1
123210-09310	24	9
123325-35140	62	10
		18 A
123325-35160	62	11
123325-35170	62	12
123325-42020	40	5
123325-42021	40	5 -1
123325-59420	58	11
	63	2
		48
123372-59080	57	14
123472-42060	40	10
123472-42090	40	11
123472-42140	40	13
123472-42150	40	12
123472-59090	57	5 -1
123482-39670	75	2 -1
123482-39680	75	2
		17
123482-91291	77	5
	78	36
	79	36
	80	10
	81	11
	82	14
	83	17
	97	3
	98	7
123672-55750	62	16
123672-55760	62	17
123672-55811	63	1
		27
123678-49421	30	10
123678-55700	63	15
123678-55770	63	19

Parts No. Index

Parts No.	Fig. No.	Ref. No.
123678-55850	63	17
123678-55860	63	21
123678-55870	63	20
123678-55880	63	25
123678-55890	63	24
123682-07850	6	4
123682-07851	6	4 -1
123682-07852	6	20
123682-44210	41	10
	42	10
123682-44220	41	11
	42	11
123682-77710	73	3
123688-39720	34	17
123688-39721	34	17 -1
123688-39790	34	18
123688-39791	34	18 -1
123900-77700	96	2
123900-77730	96	3
124060-01050	1	6 -1
124060-39451	75	1
124060-39452	75	1 -1
124066-59100	59	1
		1 -1
	60	1
		1 -1
124070-13300	4	8
124070-77950	73	1 -1
124080-77390	70	10
124080-77520	70	12
124160-01751	2	28
	9	1
124160-39140	26	17
124250-11190	8	20
		20 -1
124410-51860	54	23
124410-51861	54	23 -1
124410-51960	50	63
	55	9
124411-01780	5	3
124411-03030	9	17
124411-03050	9	19
124411-03051	9	19 -1
124411-11180	8	19
124411-35520	31	4
124411-91010	77	16
124411-91180	79	1
124411-91190	77	1
124413-39100	35	1
124413-91300	75	4

Parts No.	Fig. No.	Ref. No.
124413-91301	75	4 -1
124450-01980	58	18 -2
124450-39240	33	16
124460-77680	1	38
	30	32
	41	35
	42	22
	45	6
124550-21600	27	17
124550-77030	66	35
	67	37
124610-01851	2	7
124610-01861	2	8
	85	4
124610-01862	2	8 -1
	85	4 -1
124610-35140	33	3
124610-51970	51	2
	52	3
	53	3
124616-61580	51	50
	52	93
	53	118
124617-11120	8	16
124617-11130	8	17
124617-91810	79	27
124617-91820	79	21
124617-91830	79	11
124617-91840	78	23
	79	14
	97	23
124617-91850	64	27
	74	4
124617-91900	78	9
	79	5
	80	19
	97	35
124617-91910	79	12
124617-91920	78	21
		42
	79	13
		16
		20
		46
	80	8
	97	21
124617-91930	79	15
124617-91940	79	38
124617-91950	79	19
124617-91970	79	28

Parts No.	Fig. No.	Ref. No.
124617-91980	78	25
		41
	79	29
		45
	81	4
	82	4
	83	4
	98	33
124617-91990	78	31
		43
	79	31
		47
	81	34
	82	39
	83	44
	97	10
	98	28
124766-59050	26	20 -1
124770-49310	73	1
124770-77940	58	13
	73	3 -1
124790-44560	41	31
	42	29
124976-34850	4	9
126630-07370	6	3
126630-91350	75	9
126630-91560	75	10
126630-91570	75	11
126630-91591	75	8
126650-42301	40	2
127410-91510	78	13
	97	13
127410-91520	78	14
	97	14
127410-91530	78	15
	97	15
127410-91550	78	17
	97	17
127410-91560	78	19
	97	19
127410-91570	78	20
	97	20
127410-91580	78	16
		22
	97	16
		22
127410-91590	78	24
		34
	97	11
		24

Parts No.	Fig. No.	Ref. No.
127410-91600	78	26
	97	26
127410-91610	78	27
	97	27
127410-91620	78	28
	97	28
127410-91630	78	29
	97	29
127410-91680	78	4
	97	40
127412-91250	77	4
	80	9
127487-33190	30	16
127488-18910	25	12
	26	7
127488-35150	33	1
127492-18460	95	8
		19
127492-18470	95	9
		20
127492-18480	95	10
		21
127495-61540	53	23
127495-61660	53	46
127610-49010	44	11
127610-49430	25	13
	26	8
127610-77710	74	2
		2 -2
127610-91350	75	5
127611-07350	6	2
127611-48600	48	1
127620-91240	79	22
127620-91250	79	23
	83	11
127620-91410	79	44
127620-91500	78	2
	79	2
	97	38
127620-91510	78	3
	79	3
	97	39
127620-91550	78	6
	97	33
127620-91560	78	5
	97	41
127620-91570	78	7
	97	34
127620-91580	78	8
	79	4

Parts No. Index

Parts No.	Fig. No.	Ref. No.
127620-91580	80	20
	97	37
127620-91600	79	7
127620-91610	79	8
127620-91620	79	9
127620-91630	79	10
		43
127620-91690	79	17
127620-91720	79	24
127620-91730	79	25
127620-91740	79	26
127620-91780	78	33
	79	33
	97	31
127620-91790	78	32
	79	32
127620-91810	79	34
127620-91820	77	8
	78	37
	79	37
	97	4
127620-91830	78	39
	79	39
	97	6
127620-91860	79	40
127620-91870	79	41
127620-91930	79	42
127687-18910	20	8
127687-91210	80	2
127687-91220	80	6
127687-91240	80	5
127687-91250	80	16
127687-91770	80	11
127687-91780	80	14
127687-91790	80	13
	97	30
127687-91800	80	7
127687-91840	80	17
127687-91870	81	7
	82	41
	83	46
	98	35
127687-91880	81	36
	82	40
	83	45
	98	34
127687-91890	80	18
127692-91410	81	30
	82	35
	83	40

Parts No.	Fig. No.	Ref. No.
127692-91410	98	8
127692-91440	81	31
	82	36
	83	41
	98	11
127692-91450	81	32
	82	37
	83	42
	98	13
127692-91700	81	40
	82	45
	83	50
127692-91710	81	41
	82	46
	83	51
127692-91900	83	55
127692-91950	83	56
127695-35150	33	1 -1
127695-61071	53	88
127695-61450	53	14
127695-61551	53	154
127695-61840	53	5
127695-61961	53	130
128170-86500	65	1
128170-91020	77	9
128170-91031	77	10
128170-91160	75	3
128170-91310	77	3
128170-91810	77	12
128170-91820	77	13
128170-91830	77	14
128271-77200	68	1 -1
	96	1
128271-77730	96	4
128271-77740	96	5
128271-77750	96	6
128296-07190	6	14
128296-07250	6	2 -2
128296-07260	6	2 -3
128296-07300	6	11
128296-07350	6	12
128296-07400	6	15
128296-07420	6	16
128296-07450	6	17
128296-07460	6	18
128300-13230	13	4
	17	4
	20	4
	85	7
128370-59101	61	4 -1

Parts No.	Fig. No.	Ref. No.
128391-91260	81	5
128391-91440	81	23
128391-91640	81	22
128391-91700	81	35
128391-91740	81	24
128391-91930	81	18
128400-51300	50	21
128695-44090	1	36
	45	1
	91	4
128696-91100	77	15
	79	18
129100-01580	1	14 -1
		15 -1
		16 -1
	2	11 -1
129100-59560	59	3
129100-61930	51	61
	52	102
	53	129
		159
129100-77910	73	7
129107-44590	41	24
	42	21
129120-11920	56	18
129122-44480	9	24 -1
129150-11230	8	31
129150-11750	8	32
129150-14400	12	7
129150-59120	57	1
129150-59130	57	4
		8
129150-59580	59	4
	60	4
	61	3
129155-51020	50	58 -1
129155-51270	50	19
129155-51280	50	20
129155-61460	52	88
129170-91260	82	8
129170-91610	81	25
	82	30
	83	34
	98	14
129170-91650	81	8
	82	11
	98	18
129170-91800	81	13
	82	16
	83	19

Parts No.	Fig. No.	Ref. No.
129170-91810	81	17
	82	10
	83	7
129170-91850	82	38
	98	27
129170-91860	82	9
	98	29
129170-91890	82	19
	98	31
129170-91930	82	20
	98	32
129171-44600	41	22
	42	19
129171-91880	97	5
129198-07350	6	2 -1
129198-07360	6	3 -1
		3 -2
129198-59540	33	20
129270-59580	59	4 -2
	60	4 -2
	61	3 -1
129466-49110	9	24
		32
129470-11920	56	18 -1
129470-34850	4	19
129470-59530	60	10
	61	6
129470-59540	58	4
129470-61450	51	24
129470-67320	64	26
129470-77200	69	1
129470-91100	78	1
129470-91101	78	1 -1
129470-91102	78	1 -2
	97	1
129470-91103	97	1 -1
129470-91150	78	38
129470-91160	78	11
129470-91161	78	11 -1
	97	32
129470-91170	78	18
	97	18
129470-91180	78	44
	97	8
129470-91190	77	17
	78	40
	81	16
	82	7
	83	23
	97	7

Parts No. Index

Parts No.	Fig. No.	Ref. No.
129470-91191	98	3
129490-77910	73	7 -1
129495-55600	62	9
129495-55610	62	13
129495-55620	62	14
129495-59300	60	9
	61	5
129495-59551	61	1
129495-59552	59	2 -1
	60	2 -1
	61	1 -1
129495-59553	59	2 -2
	60	2 -2
	61	1 -2
129495-59561	60	3
	61	2
129495-59562	60	3 -1
	61	2 -1
129495-59563	60	3 -2
	61	2 -2
129550-59120	57	5
129570-77920	73	17
129570-91850	81	33
129573-67300	64	24
129574-77710	74	2 -3
129574-77720	74	1 -2
129574-77850	81	38
	82	43
	83	48
129574-77860	77	18
	78	45
	79	48
	80	22
	81	39
	82	44
	83	49
129574-77980	74	5
129574-91130	81	1
129574-91160	82	1
129574-91161	82	1 -1
129574-91162	82	1 -2
	98	1
129574-91190	83	1
129574-91191	83	1 -1
129574-91192	83	1 -2
129574-91200	81	2
	82	2
	83	2
	98	4
129574-91210	82	5

Parts No.	Fig. No.	Ref. No.
129574-91210	83	5
	98	5
129574-91220	82	6
	83	6
129574-91221	82	6 -1
	83	6 -1
129574-91222	83	6 -2
	98	6
129574-91240	83	10
129574-91260	83	8
129574-91410	81	9
	82	12
	83	15
129574-91420	81	20
	82	22
	83	26
	98	9
129574-91430	82	25
	83	29
	98	10
129574-91440	82	28
	83	32
	98	12
129574-91490	83	12
129574-91530	81	49
	82	54
	83	52
129574-91540	81	50
	82	55
	83	53
129574-91550	81	51
	82	56
	83	54
129574-91560	75	15
129574-91561	75	15 -1
129574-91570	75	16
129574-91600	83	38
129574-91620	81	19
	82	21
	83	25
	98	15
129574-91630	82	24
	83	28
	98	16
129574-91640	82	27
	83	31
	98	17
129574-91650	81	29
	82	34
	83	39

Parts No.	Fig. No.	Ref. No.
129574-91650	98	19
129574-91710	81	26
	82	31
	83	35
	98	20
129574-91720	81	21
	82	23
	83	27
	98	21
129574-91730	82	26
	83	30
	98	22
129574-91740	82	29
	83	33
	98	23
129574-91750	81	27
	82	32
	83	36
	98	24
129574-91760	81	37
	82	42
	83	47
	98	25
129574-91770	81	28
	82	33
	83	37
	98	26
129574-91780	81	14
	82	17
	83	20
129574-91790	81	15
	82	18
	83	21
129574-91850	83	43
129574-91860	83	9
129574-91870	81	3
	82	3
	83	3
	98	30
129574-91880	83	13
129574-91890	83	22
129574-91900	81	42
129574-91930	83	24
129574-91950	81	43
129574-91960	81	44
	82	49
	83	57
129574-91970	81	45
	82	50
	83	58

Parts No.	Fig. No.	Ref. No.
129590-18520	26	15
129590-59200	73	13
129590-67310	64	38
129595-61600	53	35
129595-61610	53	6
129595-61620	53	37
129595-61670	53	48
129595-61671	53	48 -1
129595-61680	53	49
129595-61681	53	49 -1
129670-49290	1	36 -1
	45	1 -1
129670-77990	97	42
129685-11930	56	18 -2
129772-77200	68	1
129772-77250	68	29
129772-77260	68	30
129772-77270	68	31
129772-77280	68	32
	70	36
129792-39610	34	3
129795-61470	52	16
	53	16
129900-77810	96	7
129901-59580	59	5 -1
135200-52170	54	14 A
135210-61090	51	7
	52	69
	53	89
135400-01790	1	28 B
	30	25
135602-34390	1	13
135665-07210	6	1
137600-53900	50	49
144606-54900	55	10
144606-54910	55	11
144626-51090	50	9
144626-51940	50	46
144626-51950	50	47
144626-61781	52	46
		101
	53	52
		125
144626-91560	75	6
144626-91570	75	7
148616-61650	51	52
	52	40
	53	45
152623-51560	51	1
	52	62 -1

Parts No. Index

Parts No.	Fig. No.	Ref. No.
157854-04300	78	12
	97	12
158563-51662	50	54 -1
158600-51270	50	19 -1
171051-01921	1	4
171078-66551	64	23
171301-01640	4	5
171353-61460	53	113
177035-02920	86	17
177073-02261	86	9
177073-02430	6	6
	86	12
177073-02431	6	6 -1
	86	12 -1
177073-06200	92	1
		1 -1
		1 -2
177073-06210	92	1
177073-06600	93	1
177074-02011	86	1
177074-02051	86	2
177074-02151	86	5
177074-02251	86	8
177074-02350	86	10
177074-02500	86	13
177074-03011	87	2
177074-03031	87	3
177074-03040	87	4
177074-03090	87	7
177074-03100	87	8
177074-03111	87	9
177074-03112	87	9 -1
177074-03151	88	1
177074-03170	88	2
177074-03200	88	3
177074-03230	88	4
177074-03261	88	6
177074-03271	88	6 A
177074-03290	88	6 B
177074-03311	88	8
177074-03321	88	9
177074-03330	88	10
177074-03340	88	11
177074-03360	89	1
177074-03361	89	1 -1
177074-03380	89	2
177074-03401	88	12
177074-03410	89	3
177074-03420	89	9
177074-03500	90	1
177074-03511	27	18

Parts No.	Fig. No.	Ref. No.
177074-03511	87	15
177074-03540	90	2
177074-03611	90	3
177074-03621	90	3 A
177074-03640	90	3 B
177074-03850	87	10
177074-03860	88	13
177074-03950	27	18 -1
	87	15 -1
177074-03951	27	18 -2
	87	15 -2
	91	1
177074-04020	91	2
177074-04030	91	3
177074-04051	91	3
177074-06300	76	1
	94	2
	76	2
177074-06350	94	1
177074-06580	76	3
177074-06600	94	3
	86	6
177075-02150	86	6
177088-02120	86	3
177088-03290	88	7
177088-06340	92	2
177088-06360	92	6
177088-06370	92	7
177088-06380	92	8
177088-06390	92	9
177088-06400	92	10
177088-06401	92	10 -1
177090-03230	88	5
177095-02150	86	7
177095-02980	87	1
177099-02130	86	4
177301-54900	24	7
183350-55130	73	18
189010-92020	84	2
194151-55820	77	11
194170-65891	6	9
194250-25520	89	4
194256-04820	58	1
194555-55820	97	25
194555-62750	73	14
196322-06610	92	4
196630-12980	6	13
198451-78680	83	47 A
	98	2
22117-050000	51	62
	52	49
		103

Parts No.	Fig. No.	Ref. No.
22117-050000	53	62
		132
22117-060000	64	28
22117-080000	52	104
	53	63
		64
		133
	64	29
22117-120000	4	10
22137-060000	92	11
22137-080000	33	42
	42	31
	51	63
	52	50
	53	65
	63	5
		28
22137-100000	68	23
	70	25
22190-060000	50	28
22190-080000	53	66
22190-080002	33	18 A
	52	105
	53	66 -1
		134
		134 -1
22190-080003	2	23 -1
22190-100002	53	135
22190-120002	52	51
		106
		107
	53	67
		67 -1
		136
		137
	58	3
		6
		7
	59	6
	60	6
22190-140002	58	15
		16
		18 -1
	60	17
	61	10
22190-160002	52	52
	53	68
22190-220002	4	6 -1
22212-050000	93	2 -1
		2 -2

Parts No.	Fig. No.	Ref. No.
22217-050000	51	64
	52	108
	64	13
	77	7
	93	2
22217-060000	23	9
	51	65
	53	138
	54	26
	64	30
22217-080000	52	53
	53	69
	63	6
		29
	64	14
22217-100000	51	66
22217-140000	55	4
22242-000100	64	6
22242-000180	8	38
22242-000200	50	14
22252-000340	28	10
22252-000370	28	10 A
22252-000470	40	15
22252-000750	87	11
22262-000260	51	18
22272-000040	51	40
		67
	52	31
		54
		109
	53	31
		70
		139
22272-000060	52	55
		110
	53	71
		72
		140
22272-000080	51	68
	52	56
		57
	53	73
		74
22272-000100	53	141
22276-000060	52	55 -1
		110 -1
	53	72 -1
		140 -1
22276-000100	53	141 -1
22312-080160	1	14

Parts No. Index

Parts No.	Fig. No.	Ref. No.
22312-080160	1	15
		16
	2	11
22322-030220	52	13
	53	12
22351-020008	50	41
22351-020012	50	48
	92	5
22351-030010	1	28
22351-030016	51	57
		69
	52	45
		58
	53	56
		75
22351-030025	51	70
	52	111
	53	142
22351-040008	1	28 A
22351-050012	55	13
22351-050020	51	71
	52	112
	53	143
22351-080016	1	17
	89	5
22360-050000	64	41
22360-060000	64	42
22360-080000	64	31
22372-050000	51	72
	52	113
	53	144
22414-250150	64	8
22417-120120	52	14
22417-160120	92	12
22417-200120	92	12 -1
22417-250200	92	12 -2
22451-100000	51	73
22453-060000	52	114
	53	145
22492-060362	51	74
	52	35
	53	76
22512-070140	12	5
	27	8
22717-410160	78	10
	79	6
	97	36
23000-013000	26	20
	60	14
	61	7

Parts No.	Fig. No.	Ref. No.
23000-013000	61	7 -1
		8
23000-016000	1	39
	46	5
	58	8
	59	1 -2
		1 -3
	60	1 -2
		1 -3
		15
	61	7 -2
		7 -3
	63	7
		30
23000-019000	58	9
	61	16
23000-022000	9	33
	34	6 -1
23000-025000	9	11
	34	6
	46	5 -1
23000-035000	9	29
23000-048000	11	7
	43	8
		12
		20
	44	6
		15
	45	7
23000-054000	44	16
	45	8
23000-060000	25	16
	26	10
23000-070000	13	5
	25	27
23000-080000	13	5 -1
	17	5
	25	17
23010-013000	41	32
	42	30
23010-025000	9	11 -1
		11 -2
23061-070300	1	40
	30	33
	41	25
	42	23
	45	9
23072-122000	43	13
23297-060081	33	16 -1
23414-080000	31	8

Parts No.	Fig. No.	Ref. No.
23414-080000	33	18
	60	16
	61	9
	63	26
23414-100000	1	28 C
	26	21
	30	27
	34	7
23414-120000	25	18
	26	22
23414-140000	1	18
	58	18
	63	8
		31
23414-140018	58	19
23414-160000	86	19
23414-170000	20	9
	41	15
23414-180000	31	7
23414-220029	50	53
23414-240000	24	8
23857-030000	1	51
	33	19
		19 -1
23857-080000	58	17
	63	9
		51
23871-020000	1	10 A
		10 A-1
	34	16
23871-030000	39	2
		12
	46	11
23871-040000	39	13
23875-030000	30	13
		34
	46	11 -1
23876-005000	8	9
23876-010000	1	6
23876-020000	75	13 -1
23876-030000	1	7
	8	10
	33	5
	75	13
		14
		18
23876-040000	30	30
	46	8
23887-080002	63	23
23887-100002	53	146

Parts No.	Fig. No.	Ref. No.
23887-120002	25	19
	51	75
	52	115
	53	147
23887-160002	51	76
	52	36
	53	77
23893-030002	41	16
23894-030002	20	10
	41	16 -1
24101-060064	40	19
24104-062044	40	14
24141-302070	89	6
24141-320070	87	13
24142-302070	87	12
24142-303090	90	4
24142-322060	88	14
24142-322070	89	7
24144-303090	90	5
24163-320200	88	15
24164-000322	88	16
24211-030002	89	8
24211-035002	89	10
24311-000110	51	77
	53	148
24311-000120	33	6
		33
		34
		53
		62
24311-000140	3	3
24311-000160	3	3 -1
24311-000180	30	35
	33	7
	86	20
24311-000200	34	8
24311-000220	32	4
	33	11
24311-000320	2	30
	9	2 -1
24311-000340	91	5
24311-000360	39	6
24311-000440	87	14
24311-000900	30	8
		31
24311-001000	41	17
24311-001200	42	15
24313-000200	40	16
24316-000200	34	8 -1
24321-000250	33	41

Parts No. Index

Parts No.	Fig. No.	Ref. No.
24321-000300	41	18
	42	16
	43	9
	44	7
24321-000350	86	21 -1
24321-000400	86	21
	90	6
24321-000550	91	6
24321-000700	40	9
24321-001900	86	22
24341-000080	51	78
	52	37
	53	79
24341-000100	4	20
24341-000240	2	12
	4	6
24341-000260	50	54
24341-000500	49	11
	50	56
24341-000800	29	6
	40	20
24341-001350	55	5
24352-010160	50	55
24356-190150	50	55 -2
24356-190160	50	55 -1
24413-355208	86	23
24421-284008	86	24
24421-608209	86	25
26013-080162	32	5
	33	12
26013-080252	33	22
		37
26013-080302	86	26 -1
26016-080202	91	7 -1
26016-080252	91	7
26016-080302	86	26
26016-080352	86	27
26016-080502	86	28
26016-100352	86	29
26022-050122	9	7
	64	9
26022-050162	93	3 -1
26106-060102	64	32
26106-060122	9	30
	33	15
		34
	34	21
	46	9
	51	42
	52	32

Parts No.	Fig. No.	Ref. No.
26106-060122	52	116
	53	149
		150
	64	10
	73	8
26106-060142	73	20
26106-060162	34	9
		10
26106-060182	2	13
	9	22
	50	57
	53	80
26106-060202	25	20
	26	11
	33	35
	43	10
	44	8
	47	5
	50	60
	57	4 -1
		8 -1
		16
	64	33
	73	8 -1
26106-060222	51	79
	52	117
	53	151
26106-060252	57	23
26106-060302	53	152
	66	33
	67	35
26106-060352	43	11
	44	9
	51	80
	52	118
26106-060402	52	119
	53	153
26106-060452	9	21
	25	21
	47	6
	66	34
	67	36
26106-060502	26	12
	41	19
26106-060552	25	25
26106-080102	39	11
	60	5
	61	11
26106-080122	1	41
	31	9

Parts No.	Fig. No.	Ref. No.
26106-080122	33	21
	43	16
	44	10
	53	96 -1
	64	15
		34
		43
26106-080142	25	22
		23
	41	14
	42	14
	70	32
26106-080162	1	42
	4	21
	11	16
		29
	12	8
	23	18
	24	18
		19
	29	3
	32	6
	33	13
		36
	34	13
	45	10
	46	13
	49	7
	73	9
		16
26106-080202	2	14
		15
		16
		24
	10	3
	11	28
	23	19
	24	20
		21
	25	24
	26	13
		14
	30	38
	31	13
		14
	34	14
		20
	40	21
	68	24
		24 -1

Parts No.	Fig. No.	Ref. No.
26106-080202	68	25
	70	26
26106-080222	30	9
26106-080252	2	25
	4	11
	5	4
	9	8
	29	7
	30	28
		39
		40
	33	22 -1
	41	20
	42	17
	55	6
	62	8
	92	13
26106-080302	33	23
		38
	49	8
	63	10
	76	5
26106-080352	1	43
	4	12
	31	15
		16
26106-080402	1	44
	2	17
	63	32
26106-080452	2	18
	24	22
	26	12 -1
	29	8
	33	8
26106-080502	2	19
	29	4
	31	17
	33	8 -1
	34	14 -1
26106-080552	2	20
		26
	29	9
26106-080652	8	43
	39	10
26106-080702	4	13
	10	4
	29	10
	33	9
26106-080752	2	21
26106-080802	4	14

Parts No. Index

Parts No.	Fig. No.	Ref. No.
26106-080902	2	22
26106-080952	2	27
26106-081002	30	36
26106-081052	41	26
26106-081102	33	9 -1
26106-081152	10	5
26106-081202	30	37
	41	27
26106-100162	33	39
	49	9
26106-100202	8	45
	23	20
	24	23
	27	19
	63	33
	87	16
26106-100222	27	20 -1
26106-100252	3	4
	7	4
	8	50
	27	20
	30	41
	70	37
	71	5
26106-100302	3	5
	7	5
		10
		13
	13	6
	27	13
	63	11
	71	4
26106-100352	7	10 -1
26113-060102	40	3
26116-050142	64	44
26116-050302	51	81
	52	59
26116-050306	52	60
26116-060256	51	82
26116-060306	53	92
26116-060352	23	7
		7 -1
26116-060356	51	83
26116-080252	64	16
26116-080302	94	4
26116-081402	42	24
26116-101202	68	26
	70	27
26116-120302	7	6
	66	36

Parts No.	Fig. No.	Ref. No.
26116-120302	67	38
26116-120352	7	14
		16
26116-120402	72	2
26116-120852	4	15
26203-100302	13	6 -1
	17	6
	20	5
26212-080162	30	38 -1
26216-060162	50	58
26216-060252	8	22
26216-080162	23	10
	24	11
	95	11
		26
26216-080202	11	8
		23
	13	7
26216-080602	8	23
26216-080652	8	23 -1
26216-081052	8	24
26216-081102	8	24 -1
26216-081402	8	24 A
26216-100402	62	21
26223-100252	20	11
	41	21 -1
	42	18
26226-100252	41	21
26226-100322	55	8 -1
26306-080002	8	26 -1
		27 -1
	11	5 -1
		14 -1
		24 -1
	23	21 -1
	24	12 -1
	30	29 -1
	40	17 -1
	41	28
	42	25 -1
	63	34
26306-100002	55	14 -1
	62	22 -1
	70	28 -1
26366-060002	8	25
	57	4 A
		8 A
		17
	64	35
26366-080002	8	26

Parts No.	Fig. No.	Ref. No.
26366-080002	8	27
	11	5
		14
		24
	23	21
	24	12
	30	29
		42
	33	44
	40	17
	42	25
	50	59
	63	12
26366-100002	13	8
	55	14
	62	22
	63	13
	68	27
	70	28
26376-120002	51	84
	52	61
	53	93
26450-050122	66	30 -1
	67	32
26450-080252	11	22
26450-100202	90	7
26476-050102	9	7 -1
26556-060122	81	47
	82	52
	83	60
26557-040062	9	25
26557-050122	64	17
26557-050162	93	3
26559-060122	81	46
	82	51
	83	59
26577-060162	53	32
26667-080002	52	62
	53	81
		94
26703-100002	13	8 -1
	17	9
	20	12
		13
26706-100002	63	35
26716-050002	64	18
	77	6
	93	4
26716-060002	53	33
		82 -1

Parts No.	Fig. No.	Ref. No.
26716-060002	54	25
	81	48
	82	53
	83	61
26716-080002	64	19
	73	15
26716-120002	72	3
26736-100002	51	85
26756-050002	64	45
26756-060002	53	82
	73	10
26756-080002	52	38
		63
	53	83
		84
		95
26756-100002	62	23
26757-080002	51	86
		87
26776-140002	55	7
26777-120002	51	88
	52	39
	53	85
		160
26911-080322	51	89
	52	64
26911-080402	53	96
26979-040082	76	6
	94	5
27231-600000	1	8
27233-250000	11	4
		13
27241-100000	8	34
27241-140000	1	9
27241-160000	8	11
27241-280000	8	12
	41	4
	42	4
27241-400000	1	10
	8	13
27310-090001	8	20 -2
28110-100130	84	5
28110-120140	84	6
28110-170190	84	7
28110-220240	84	8
28150-050000	84	9
28150-060000	84	10
41650-501180	62	19 A
41650-502320	62	17 A
41701-001720	64	20

Parts No. Index

Parts No.	Fig. No.	Ref. No.
41710-000410	64	11
	93	5
41710-001300	64	21
41730-000680	65	2
41730-000681	65	2 -1
42430-500070	63	18
42430-550061	63	40
43400-500420	2	23
	51	90
43400-500450	51	91
43400-500500	51	92
43530-500580	43	21
43530-500610	44	17
43623-500030	63	36
		36 -1
43623-500040	63	14
43662-025030	43	22
43662-030030	44	18
43662-030031	44	18 -1
43720-001220	35	2
46150-003610	78	30
	79	30
	80	12
46150-003620	80	15
	97	9
46150-504360	75	12
705311-92100	84	1
719000-02800	1	20
719000-02870	1	52
719000-02930	1	23
719000-02940	1	58
719000-22500	28	3
719000-23600	28	16
719000-23610	28	18
719129-11650	8	29
719129-11660	8	29 -1
719171-01560	1	1
719171-11700	8	1
719171-21700	27	1
719171-21701	27	1 -1
719171-23100	28	11
719171-23101	28	11 -1
719171-33100	31	1
719171-44500	41	1
719171-53100	56	1
		2 -1
719171-92600	85	1
719171-92601	85	1 -1
719171-92602	85	1 -2
719172-23610	28	20

Parts No.	Fig. No.	Ref. No.
719172-53100	56	2
719173-11700	8	1 A
719173-11701	8	1 A-1
719173-23100	28	11 A
719173-23600	28	16 A
719173-33700	30	14
719173-51300	50	1
719173-53100	56	3
719173-54100	55	16 -1
719173-92600	85	1 A
719174-18200	24	1
719174-23100	28	11 A-1
719174-23600	28	16 A-1
719174-23601	28	16 A-2
719174-44501	42	1
719175-51300	50	2
719175-53100	56	3 A
719175-54102	55	16 A-2
719175-54800	55	16 A
719175-54801	55	16 A-1
719182-01560	1	1 -1
719184-21700	27	1 A
719184-33700	30	14 A
719187-01540	4	2
719187-22501	28	3 -1
719187-22502	28	3 -2
719192-54800	55	16
719195-11700	8	1 B
720445-44200	41	29
	42	26
947859-20010	36	14
977780-01200	38	1
977780-01210	37	1
977780-01211	37	1 -1
	38	1 -1
	99	1
977780-01230	37	2
	38	2
977780-01240	38	3
977780-01250	37	3
977780-03000	37	9
	38	9
	99	9
977782-00121	36	1
X0035192601	18	21
		40
	19	9
		40
X0035355222	18	25
		45

Parts No.	Fig. No.	Ref. No.
X0035355222	19	25
		31
X0035360328	18	24
		44
	19	24
		30
X0036051051	18	32
	19	22
X0044021509	37	7
	38	7
	99	7
X0300120414	63	43
		59
X0311120810	63	41
X0311121522	63	57
X0313080110	63	45
		63
X0313080922	63	63 -1
X0314080110	63	47
		61
X0318101004	99	2
X0580121073	63	42
		58
X0582810173	63	39
		56
X0588080273	63	46
		62
X0600160122	63	44
		60
X0600190922	63	22
X0993071171	63	64
X1466584820	49	6
X158606410X	99	3
X179100011X	38	5
X179100021X	37	5
X179100022X	99	5
X179100100X	37	6
	38	6
	99	6
X199903800X	37	8
	38	8
X199906101X	99	8
X2221580501	18	20
		39
	19	11
		39
X2227010001	18	29
	19	19
X2740134001	63	37
		54

Parts No.	Fig. No.	Ref. No.
X2740134002	63	54 -1
X3241500004	18	22
	19	10
X3261006422	18	30
X3261006423	19	20
X3261095805	18	23
		43
	19	23
		43
X3261202124	18	4
X3261205001	19	4
X3261240000	18	9
	19	8
X3261270103	18	11
X3261270407	18	10
	19	6
X3261270500	18	18
X3261285000	19	14
		42
X3261551003	18	17
		37
	19	17
		37
X3261551305	18	8
	19	7
		33
X3261560800	18	19
		38
	19	18
		38
X3261570400	18	16
		36
	19	16
		36
X3261652005	18	28
	19	28
X3267100058	18	2
	19	2
X3267101126	18	3
	19	3
X3267110018	18	33
X3267110039	19	29
X3271015226	18	31
X3271015333	19	21
X3271095801	18	26
		46
	19	26
		35
X3271232035	18	5

Parts No. Index

Parts No.	Fig. No.	Ref. No.
X327123227	19	5
X3271270100	18	15
		34
	19	15
		34
X3271270401	18	6
X3271271000	18	7
X3271280205	18	14
		42
X3271515739	18	12
	19	12
X3271580500	18	27
		47
	19	27
		32
X3281593300	18	13
		41
	19	13
		41
X5380279A1	80	21
X6201NC	69	3
X6201SD	68	3
X6203BM	68	16
X6303BM	69	16
X6303BM0000	70	18
X8636008003	37	4
	38	4
X8636015001	99	4
X9999900001	18	48
	19	44
X9999900002	18	50
	19	46
X9999900003	18	52
	19	48
X9999900004	18	49
	19	45
X9999900005	18	51
	19	47
X9999900006	18	53
	19	49
XBP1901300	36	4
XBP1901820	36	8
XBP1901830	36	9
XBP1901910	36	10
XBP1901920	36	11
XBP1901950	36	12
XBP1902200	36	3
XBP1902400	36	5
XBP1902810	36	7
XBP1905500	36	6

Parts No.	Fig. No.	Ref. No.
XKFD4LH4251	40	4 A
XKFD4LH4255	40	8 A
XKFEM420210	40	11 A
XL12013262	68	9
XL13513134	68	12
	69	12
XL15014042	68	15
XL15018015	68	18
XL1501810	68	19
	69	20
XL15028001	68	20
	69	17
XL150M14041	69	15
	70	17
XL15542001	68	4
XL15553002	68	5
XL1556315	68	7
	69	7
XL15571001	68	2
XL155G1330	70	8
XL1801200	69	4
XL180120000	70	4
XL1801335	69	9
XL18018015	69	19
XL1805100	69	2
XL1805301	69	6
XL1805500	69	18
XL1808320	69	13
XL180832000	70	13
XL1809300	69	5
XL180G13012	70	6
XL180G43150	70	7
XL180G61000	70	2
XL180G63006	70	5
XL180G85001	70	20
XL2251318	68	11
	69	11
XL2253320	68	13
XL2253400	68	14
XL225431800	70	11
XL22553012	68	6
XL2255320	69	8
XL2255330	68	8
XL22555001	68	17
XL225G1325	70	9
XL23534011	69	14
XL235340110	70	16
XN199611	17	3
	20	3
XNB133206	15	20

Parts No.	Fig. No.	Ref. No.
XNB133206	16	20
	21	20
	22	20
XNE964530	14	10
XNE967160	14	13
XNE967430	21	16
XNE967440	15	16
XNH137423	15	18
	16	18
	22	18
XNH161300	14	2
XNH163006	15	21
	16	21
	21	21
	22	21
XNH163150	14	16
XNH163329	15	17
	16	17
	21	17
	22	17
XNH163331	15	22
XNH163376	16	22
	21	22
	22	22
XNH164105	14	11
	15	15
	16	15
	21	15
	22	15
XNH164106	14	12
	15	14
	16	14
	21	14
	22	14
XNH165203	14	9
XNH167606	16	16
	22	16
XNH261081	15	3
	16	3
	21	3
	22	3
XNH261082	15	4
	16	4
	21	4
	22	4
XNH261101	16	2
XNH261107	15	8
	16	8
	21	8
	22	8

Parts No.	Fig. No.	Ref. No.
XNH261120	15	2
XNH261301	22	2
XNH261320	21	2
XNH263501	15	11
	16	11
	22	11
XNH263502	15	12
	16	12
	21	12
	22	12
XNH264962	15	13
	16	13
	21	13
	22	13
XNH265520	15	9
	16	9
	21	9
	22	9
XNN131008	14	6
	15	5
	16	5
	22	5
XNN131576	21	5
XNN137007	15	19
	16	19
	21	19
	22	19
XNN137423	21	18
XNN171006	14	5
	15	6
	16	6
	21	6
	22	6
XNN191109	14	8
XNN191113	14	3
XNN193012	14	18
	15	10
	16	10
	21	10
	22	10
XNN193315	14	23
XNN193502	14	20
XNN193653	14	24
XNN193655	14	25
XNN196103	14	14
XNN197404	14	15
XNN263501	21	11
XNN971005	14	4
XNN971007	14	7
	15	7

Parts No. Index

Parts No.	Fig. No.	Ref. No.
XNN971007	16	7
	21	7
	22	7
XNN973503	14	19
XNN977003	14	17
	15	23
	16	23
	21	23
	22	23
XNN977006	14	21
XNN977008	14	22
XTR1Z63	68	10
	69	10
XYM0234001N	98	36

Parts No.	Fig. No.	Ref. No.
-----------	----------	----------

Parts No.	Fig. No.	Ref. No.
-----------	----------	----------

Parts No.	Fig. No.	Ref. No.
-----------	----------	----------