

OCR10-M47803EN

# Introduction

1. This parts catalog for 4LHA-STE, 4LHA-STZE, 4LHA-STP, 4LHA-STZP, 4LHA-DTE, 4LHA-DTZE, 4LHA-DTP, 4LHA-DTZP, 4LHA-HTE, 4LHA-HTZE, 4LHA-HTP, 4LHA-HTZP is published as a revised edition of the Diesel engine.

	Parts catalog No.	Date of issue	Remarks
First edition	000Y00R4780	June, 1998	No need
First edition	000Y00R4800	Aug. , 1998	No need
1st edition(supplement)	000Y00R4781	Apr. , 2000	No need
2nd edition(supplement)	000Y00R4782	Sep. , 2001	No need
3rd revised edition	OCR10-G47803	May. , 2012	

2. Standard finish color. Yanmar ecole silver metallic
- |           |              |                      |
|-----------|--------------|----------------------|
| Parts No. | 977620-10070 | 1L (Packed in a can) |
| Parts No. | 977620-40070 | 4L (Packed in a can) |
| Parts No. | TOR-90090003 | Spray (1 piece)      |
3. This parts catalog does not contain the technical data needed for maintenance service.
4. The illustrations used in this parts catalog have been simplified for clarity.
5. The contents of this parts catalog are subject to change without notice.
6. Be sure to use only Yanmar genuine part for repairs. If imitation parts are used, it may cause engine defects.

## Directions for the Parts Catalog.

1. This Parts Catalog shows both standard and optional parts.
2. Parts may change without prior notice.
3. The following is an example of the Parts Catalog format.

REF.	LEV.	PARTS NO.	DESCRIPTION	Q'TY						I	R
				(A)	(B)	(C)	(D)	(E)	(F)		
1	1	729595-51390	FUEL INJECTION PUMP	1	1	1	1	1			1
1-1	1	729595-51391	FUEL INJECTION PUMP	1	1	1	1	1		N	1
		(A=E00185) (B=E00200)									
3	2	26022-060162	SCREW M 6X 16	9	9	9	9	9			
3-1	2	26022-060162	SCREW M 6X 16	4	4	4	4	4		K	
		(A=E00156) (B=E00156) (C=E00156) (D=E00156) (E=E00156)									
4	2	129470-51040	CAMSHAFT	1	1	1	1	1			
5	2	122710-51050	BEARING, ROLLER	2	2	2	2	2			
6	2	129470-51060	RETAINER	1	1	1	1	1			

Remarks
(1) BOOST COMPEMSATOR TYPE. OPTIONAL PART, TO E00155,(4JH-DT, 4JH-DTZ

### ① Ref. No.

The Ref. No. listed may not be in accordance with the illustration Ref. No.

(Ex.) Illustration No.

List Ref No.

1

1

(Before change) → 1-1 (After change)

For interchangeable symbols N, R and K, illustrations for new parts may be abbreviated.

### ② Lev. (Level)

Level indication

The numbers below indicate the level of relativity towards the main part.

1 ----- Main parts (Assembly parts)

2 ----- Sub component included in " 1 ".

3 ----- Sub component included in " 2 ".

Note) Parts that are not for sale are partially illustrated but not listed.

### ③ Interchangeability Symbol

When a part change takes place, one of the following interchangeability symbols is indicated beside the part.

Symbol	Interchangeability	Contents note
N	Old $\begin{matrix} \leftarrow \text{Yes} \\ \text{No} \rightarrow \end{matrix}$ New	New Part is interchangeable for Old Part but Old Part is not interchangeable for New Part.
Q	Old $\begin{matrix} \leftarrow \text{No} \\ \text{Yes} \rightarrow \end{matrix}$ New	New Part is not interchangeable for Old Part but Old Part is interchangeable for New Part.
R	Old $\begin{matrix} \leftarrow \text{Yes} \\ \text{Yes} \rightarrow \end{matrix}$ New	New/ Old Parts are both interchangeable.
S	Old $\begin{matrix} \leftarrow \text{No} \\ \text{No} \rightarrow \end{matrix}$ New	New/ Old Parts are both not interchangeable.
W		Part newly added.
Z		Part discontinued.
F		Not interchangeable by a single part but interchangeable together with related parts.
K		Changes only for used parts quantities.

### ④ Effective Machine No.

When a part changes, the effective Machine No. will be indicated in the (A)-(F) column.

Product Symbol	Product No.	Product Symbol	Product No.
C	Clutch No. Compressor No.	F	Machine No. (Agricultural Equip.)
D	Drive No.	M	Machine No.
E	Engine No.		

Note 1) A date may follow the symbol. (Ex.) 1996.01

Note 2) "XXXXX" and "ZZZZZ" are for parts that could not be predicted or for engine models that could not be identified.

Note 3) (A=E00185) is the E (Engine Serial Number) for the column (A) model (in this case 4JH-DT) after the parts design change.

### ⑤ Remarks

Figures or alphabets (symbols) are entered in the remarks column.

The comments (remarks) on parts that are indicated at the bottom of the illustration are the same symbols as those stated above.

# Contents

Fig. No.	Fig. Name	Fig. No.	Fig. Name
4LHA-ST/DT/HT/(Z)E(P)		25.	LUB.OIL PIPE
1.	CYLINDER BLOCK	26.	LUB.OIL PIPE(TURBOCHARGER)
2.	GEAR HOUSING	27.	LUB.OIL PIPE(COOLER)
3.	FLYWHEEL HOUSING	28.	C.S.W.PUMP(4LHA-ST/DT(Z)E(P))
4.	MOUNTING FOOT(4LHA-ST/DT(Z)E(P))	29.	C.S.W.PUMP(4LHA-HT(Z)E(P))
5.	MOUNTING FOOT(4LHA-HT(Z)E(P))	30.	COOLING FRESH WATER PUMP
6.	LUB.OIL SUMP	31.	C.F.W.COOLER(4LHA-ST/DT(Z)E(P))
7.	OIL SEAL HOUSING	32.	C.F.W.COOLER(4LHA-HT(Z)E(P))
8.	LABEL	33.	C.S.W.PIPE(4LHA-ST/DT(Z)E(P))
9.	CYLINDER HEAD(4LHA-ST/DT(Z)E(P))	34.	C.S.W.PIPE(4LHA-STZE/DTZE(P))
10.	CYLINDER HEAD(4LHA-HT(Z)E(P))	35.	C.S.W.PIPE(4LHA-HT(Z)E(P))
11.	BONNET & BREATHER	36.	C.F.W.PIPE(4LHA-ST/DT(Z)E(P))
12.	SUCTION MANIFOLD	37.	C.F.W.PIPE(4LHA-HT(Z)E(P))
13.	EXHAUST MANIFOLD	38.	C.S.W.STRAINER(OPTIONAL)
14.	CAMSHAFT & DRIVING GEAR	39.	BILGE PUMP(STD,OPTIONAL)(UP TO EXXXXX)
15.	TURBOCHARGER(4LHA-ST(Z)E(P))	40.	BILGE PUMP(DX,OPTIONAL)(UP TO EXXXXX)
16.	TURBOCHARGER(4LHA-DT(Z)E(P))	73.	(40A)BILGE PUMP(OPTIONAL)(FROM EXXXXX)
17.	TURBOCHARGER(4LHA-HT(Z)E(P))	41.	FUEL INJECTION PUMP(4LHA-ST/DT
18.	MIXING ELBOW & EXHAUST BEND	42.	FUEL INJECTION PUMP(4LHA-HT(Z)E(P))
19.	AIR COOLER	43.	GOVERNOR
20.	CRANKSHAFT	44.	FUEL FEED PUMP
21.	PISTON & CONNECTING ROD	45.	TIMER
22.	LUB.OIL COOLER	46.	FUEL INJECTION VALVE
23.	LUB.OIL COOLER HOUSING	47.	FUEL INJECTION PIPE
24.	LUB.OIL SYSTEM	48.	FUEL PIPE(4LHA-ST/DT(Z)E(P))

# Contents

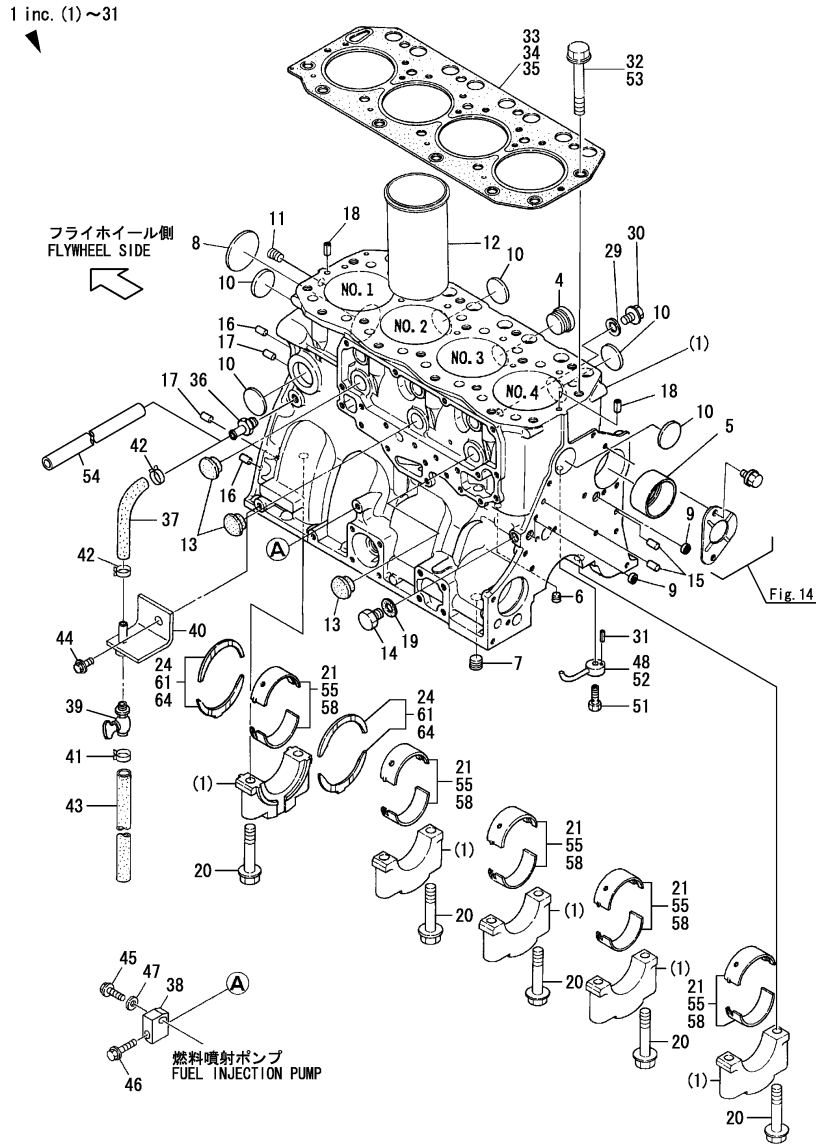
Fig. No. Fig. Name

- 49. FUEL PIPE(4LHA-HT(Z)E(P))
- 50. FUEL STRAINER(4LHA-ST/DT(Z)E(P))
- 51. FUEL STRAINER(4LHA-HT(Z)E(P))
- 52. OIL/WATER SEPARATER(OPTIONAL)
- 53. ENGINE STOP DEVICE(4LHA-ST/DT(Z)E(P))
- 54. ENGINE STOP DEVICE(4LHA-HT(Z)E(P))
- 55. POWER STEERING PUMP
- 56. POWER STEERING COOLER & TANK
- 57. ATF PIPE
- 58. CLUTCH & DRIVE ATTACHMENT
- 59. STARTING MOTOR
- 60. GENERATOR(12V-60A,HITACHI)(UP TO EZZZZZ 2012.6)
- 74. (60A)GENERATOR COMPONENT PARTS(12V-60A,HITACHI)(UP TO 2012.6)
- 61. GENERATOR(12V-80A,HITACHI,OPTIONAL)(UP TO 2012.6)
- 75. (61A)GENERATOR(12V-80A,BOSCH)(FROM 2012.7)
- 62. WIRE HARNESS & SENSOR
- 63. SENSOR MOUNT
- 64. HEATER PLUG(OPTIONAL)
- 65. INSTRUMENT PANEL(B-TYPE,OPTIONAL)
- 66. INSTRUMENT PANEL(C-TYPE,OPTIONAL)
- 67. INSTRUMENT PANEL(D-TYPE,OPTIONAL)
- 68. TOOL
- 69. GASKET SET(OPTIONAL)
- 70. REMOTE LUB.OIL STRAINER(OPTIONAL)
- 71. KIT,FIREPROOF FUEL STRAINER(4LHA-HT(Z)E(P))

Fig. No. Fig. Name

- 72. SOLAS SENSOR(OPTIONAL)
- 76. PTO FLANGE
- 77. CLUTCH

Fig.1. CYLINDER BLOCK



Remarks

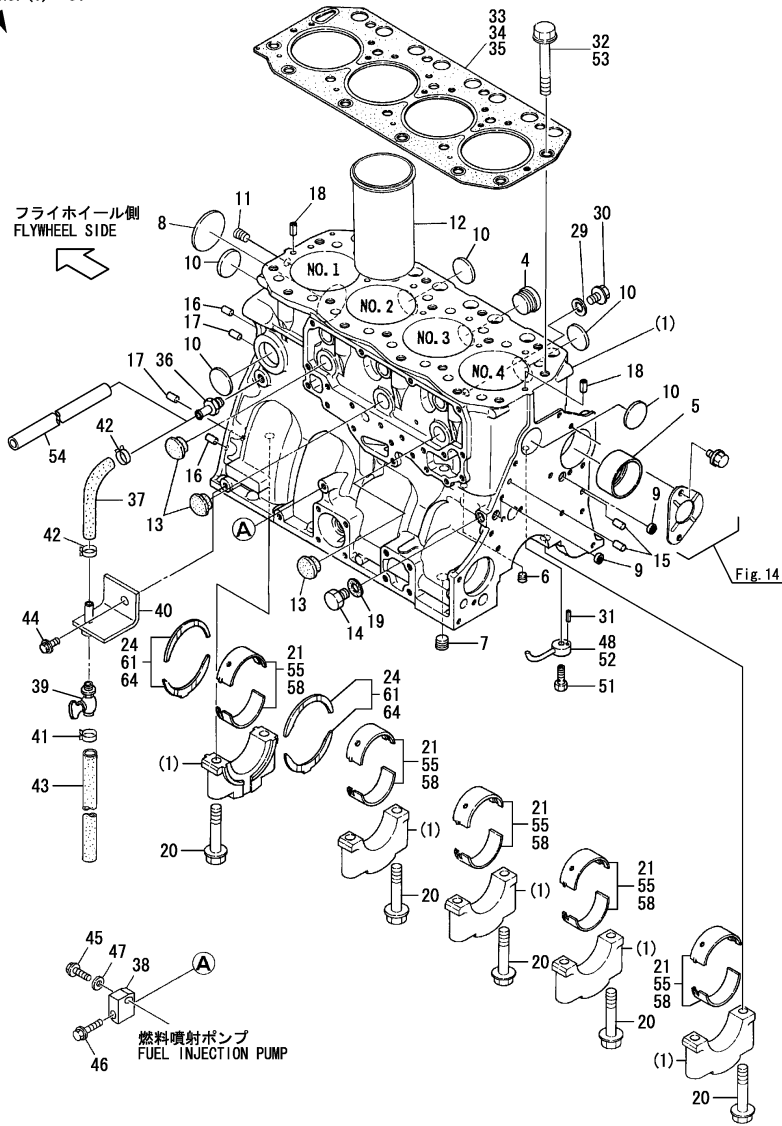
- (1) For adjustment.
- (2) 4LHA-STE/DTE(Z)E(P)
- (3) 4LHA-HTE(Z)E(P)

(A)=4LHA-STE(P) (D)=4LHA-DTZE(P)  
 (B)=4LHA-STZE(P) (E)=4LHA-HTE(P)  
 (C)=4LHA-DTE(P) (F)=4LHA-HTZE(P)

No.	Lev.	Parts No.	Description	Q'ty						I	R	
				(A)	(B)	(C)	(D)	(E)	(F)			
1	1	719171-01560	BLOCK ASSY, CYLINDER	1	1	1	1	1	1			
4	3	171051-01921	PLUG, NPTF1	1	1	1	1	1	1			
5	3	119000-02410	BUSH, CAMSHAFT	1	1	1	1	1	1			
6	3	23871-010000	PLUG, R01	1	1							
6-1	3	23876-010000	PLUG, R01	1	1	1	1	1	1		N	
		(A=E50582) (B=EA0421)										
6-2	3	124060-01050	PLUG, PT1/8	1	1	1	1	1	1		N	
		(A=EXXXXX) (B=EXXXXX) (C=EXXXXX) (D=EXXXXX) (E=EXXXXX) (F=EXXXXX)										
7	3	23871-030000	PLUG, R03	1	1							
7-1	3	23876-030000	PLUG, R03	1	1	1	1	1	1		N	
		(A=E50582) (B=EA0421)										
8	3	27231-600000	PLUG, 60	1	1	1	1	1	1			
9	3	27241-140000	PLUG, 14	3	3	3	3	3	3			
10	3	119593-01870	PLUG	5	5	5	5	5	5			
11	3	119000-01880	SCREW	1	1	1	1	1	1			
12	2	119171-01101	LINER, CYLINDER	4	4	4	4	4	4			
13	2	119000-01840	PLUG, RUBBER	3	3	3	3	3	3			
14	2	135602-34390	RETAINER	1	1	1	1	1	1			
15	2	129100-01580	PIN, M8X16	2	2	2	2	2	2			
16	2	129100-01580	PIN, M8X16	2	2	2	2	2	2			
17	2	129100-01580	PIN, M8X16	2	2	2	2	2	2			
18	2	22351-080016	PIN, SPRING 8.0X16	2	2	2	2	2	2			
19	2	23414-140000	GASKET, 14X1.0	1	1	1	1	1	1			
20	2	119000-02020	BOLT, METAL CAP	10	10	10	10	10	10			
21	2	719000-02800	BEARING, MAIN	5	5	5	5	5	5			
24	2	119000-02930	BEARING, THRUST	2	2	2	2	2	2			
29	2	23414-100000	GASKET, 10X1.0	1	1	1	1	1	1			
30	2	135400-01790	PLUG	1	1	1	1	1	1			
31	2	22351-040008	PIN, SPRING 4.0X 8	4	4	4	4				2	
31A	2	22351-030010	PIN, SPRING 3.0X10							4	4	3
32	1	119174-01200	BOLT, HEAD	18	18	18	18					
33	1	119174-01340	GASKET, HEAD T=1.3	1	1	1	1	1	1			
34	1	119174-01330	GASKET, HEAD T=1.2	1	1	1	1	1	1		1	
35	1	119174-01350	GASKET, HEAD T=1.4	1	1	1	1	1	1		1	
36	1	121550-49111	JOINT, PT1/4	1	1	1	1	1	1			
37	1	119173-49160	PIPE, WATER	1	1	1	1					
38	1	119181-01990	RETAINER, PUMP	1	1	1	1					
39	1	128695-44090	COCK	1	1							
39-1	1	129670-49290	COCK ASSY, R1/8	1	1	1	1				N	
		(A=E50717) (B=EA0491)										
40	1	119173-49170	BRACKET	1	1	1	1					
41	1	124460-77680	RETAINER	1	1	1	1					
42	1	23000-016000	CLAMP, 16	2	2	2	2					
42-1	1	119172-48130	CLIP, HOSE 13	2	2	2	2				R	
		(A=EXXXXX) (B=EXXXXX) (C=EXXXXX) (D=EXXXXX)										
43	1	23061-070300	PIPE, 7X 300	1	1	1	1					
44	1	26106-080122	BOLT, M8X 12 PLATED	1	1	1	1					
45	1	26106-080352	BOLT, M8X 35 PLATED	1	1	1	1					
46	1	26106-080402	BOLT, M8X 40 PLATED	1	1	1	1					
47	1	106100-55800	WASHER	1	1	1	1					
48	1	119174-39560	NOZZLE ASSY, COOLING	4	4	4	4					

# Fig.1. CYLINDER BLOCK

1 inc. (1) ~31



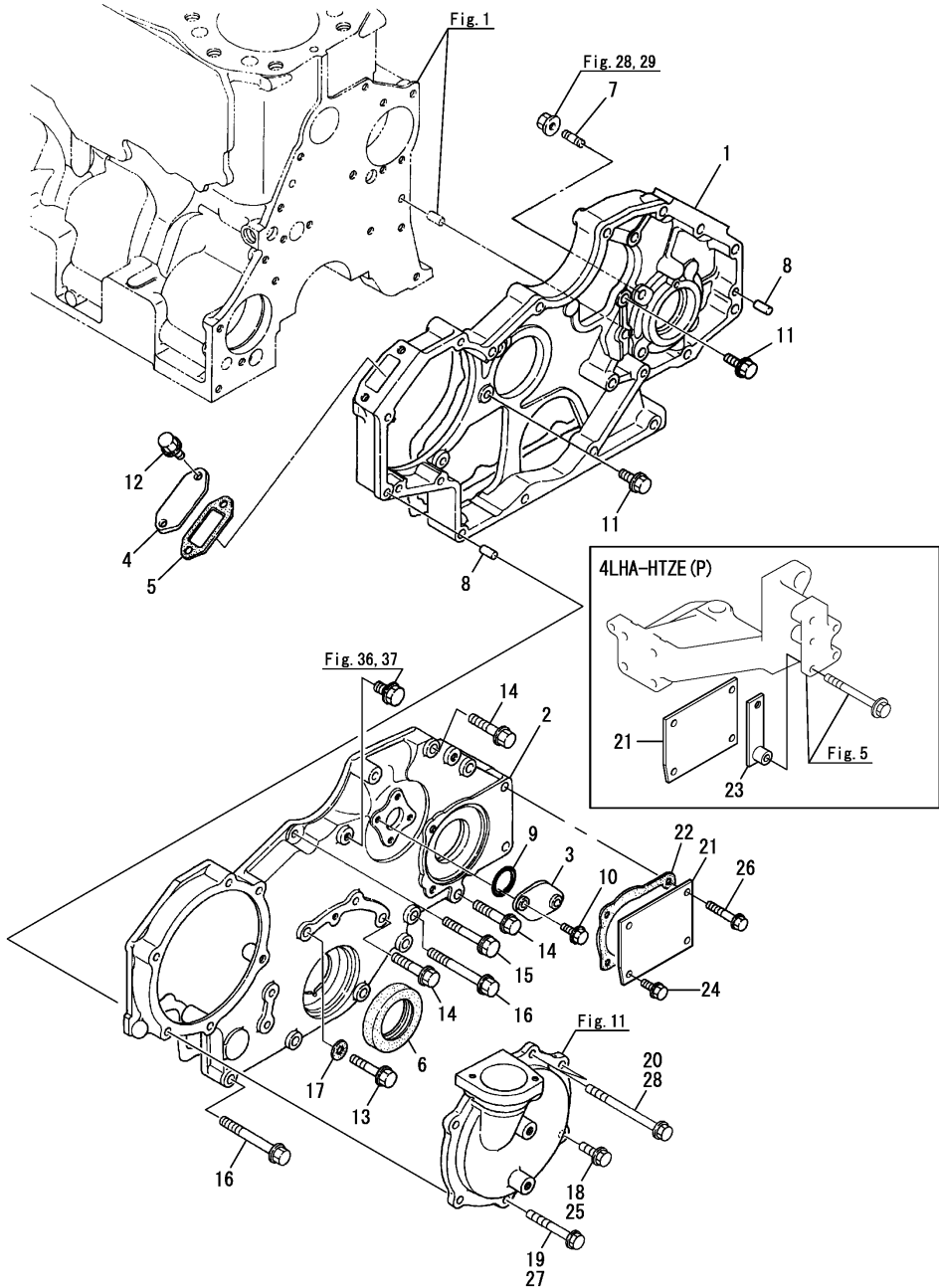
(A)=4LHA-STE(P) (D)=4LHA-DTZE(P)  
 (B)=4LHA-STZE(P) (E)=4LHA-HTE(P)  
 (C)=4LHA-DTE(P) (F)=4LHA-HTZE(P)

No.	Lev.	Parts No.	Description	Qty						I	R
				(A)	(B)	(C)	(D)	(E)	(F)		
51	1	23857-030000	BOLT, JOINT 3	4	4	4	4	4	4		
52	1	119187-39650	NOZZLE, COOLING					4	4		
53	1	119000-01200	BOLT, HEAD					18	18		
54	1	119171-49160	PIPE, WATER					1	1		
55	1	719000-02870	BEARING, 0.25 US					5	5		
58	1	119172-02210	METAL, MAIN 0.50 US					5	5		
61	1	719000-02940	BEARING, THRUST 0.25					2	2		
64	1	119172-02310	BEARING, THRUST 0.50					2	2		

Remarks

- (1) For adjustment.
- (2) 4LHA-STE/DTE(Z)E(P)
- (3) 4LHA-HTE(Z)E(P)

Fig.2. GEAR HOUSING



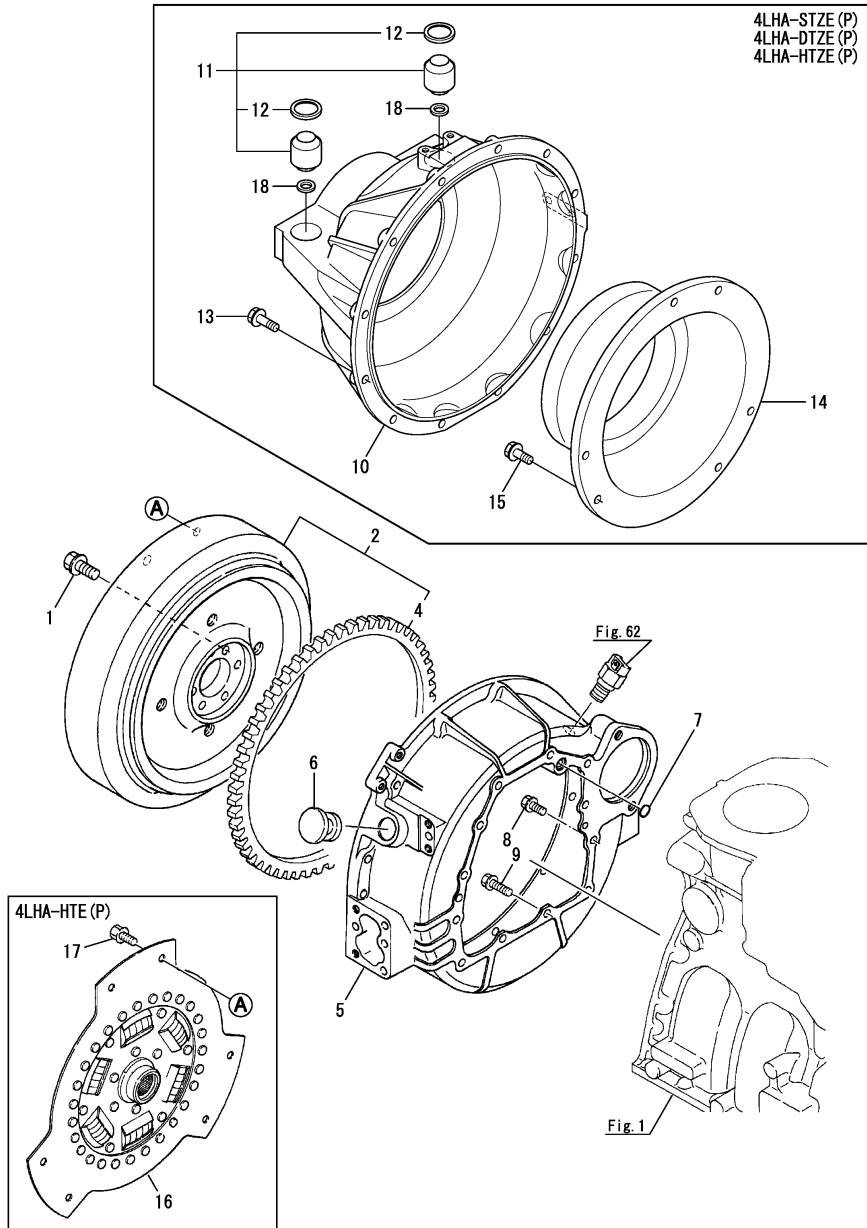
(A)=4LHA-STE(P)  
 (B)=4LHA-STZE(P)  
 (C)=4LHA-DTE(P)  
 (D)=4LHA-DTZE(P)  
 (E)=4LHA-HTE(P)  
 (F)=4LHA-HTZE(P)

No.	Lev.	Parts No.	Description	Qty						I	R	
				(A)	(B)	(C)	(D)	(E)	(F)			
1	1	119000-01500	CASE, GEAR	1	1	1	1	1	1			
2	1	119000-01520	COVER, GEAR CASE	1	1	1	1	1	1			
3	1	121023-01550	COVER	1	1	1	1	1	1			
3-1	1	121023-01551	COVER	1	1	1	1	1	1		R	
		(A=EXXXXX) (B=EXXXXX) (C=EXXXXX) (D=EXXXXX)		(E=EXXXXX)	(F=EXXXXX)							
4	1	119000-01740	COVER	1	1	1	1	1	1			
5	1	119000-01771	GASKET	1	1	1	1	1	1			
6	1	121850-01800	SEAL, OIL	1	1	1	1	1	1			
7	1	121850-01920	STUD, 2D8X22	2	2	2	2	2	2			
8	1	129100-01580	PIN, M8X16	2	2	2	2	2	2			
9	1	24341-000240	O-RING, 1AS24.0	1	1	1	1	1	1			
10	1	26106-060182	BOLT, M6X 18 PLATED	2	2	2	2	2	2			
11	1	26106-080202	BOLT, M8X 20 PLATED	5	5	5	5	5	5			
12	1	26106-080202	BOLT, M8X 20 PLATED	2	2	2	2	2	2			
13	1	26106-080402	BOLT, M8X 40 PLATED	1	1	1	1	1	1			
14	1	26106-080452	BOLT, M8X 45 PLATED	5	5	5	5	5	5			
15	1	26106-080552	BOLT, M8X 55 PLATED	1	1	1	1	1	1			
16	1	26106-080752	BOLT, M8X 75 PLATED	4	4	4	4	4	4			
17	1	22190-080003	WASHER, SEAL 8	1	1	1	1	1	1			
18	1	26106-080352	BOLT, M8X 35 PLATED	1	1	1	1					
19	1	26106-080652	BOLT, M8X 65 PLATED	3	3	3	3					
20	1	26106-081052	BOLT, M8X105 PLATED	2	2	2	2					
21	1	124610-01851	COVER							1	1	
22	1	124610-01862	GASKET							1	1	
23	1	119172-26800	SPACER								1	
24	1	26106-080202	BOLT, M8X 20 PLATED							2	2	
25	1	26106-080252	BOLT, M8X 25 PLATED							1	1	
26	1	26106-080502	BOLT, M8X 50 PLATED							2		
27	1	26106-080552	BOLT, M8X 55 PLATED							3	3	
28	1	26106-080952	BOLT, M8X 95 PLATED							2	2	
28-1	1	26106-081052	BOLT, M8X105 PLATED							2	2	N
				(E=EXXXXX)	(F=EXXXXX)							



### Fig.3. FLYWHEEL HOUSING

(A)=4LHA-STE(P)  
 (B)=4LHA-STZE(P)  
 (C)=4LHA-DTE(P)  
 (D)=4LHA-DTZE(P)  
 (E)=4LHA-HTE(P)  
 (F)=4LHA-HTZE(P)

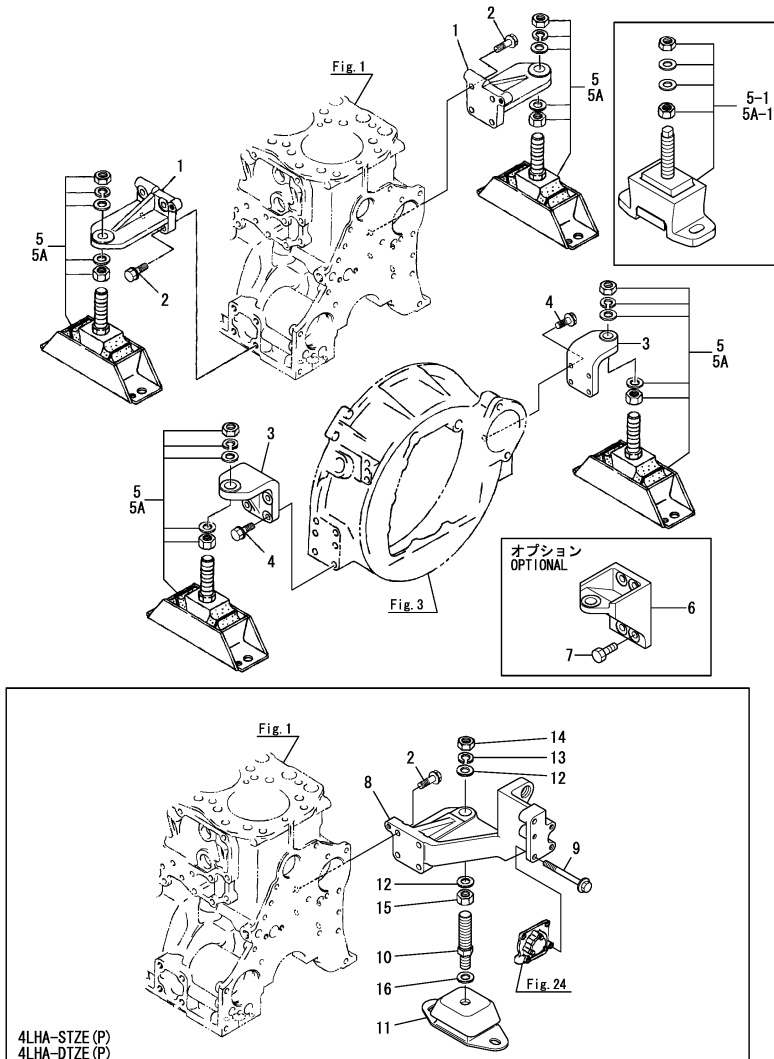


No.	Lev.	Parts No.	Description	Q'ty						I	R
				(A)	(B)	(C)	(D)	(E)	(F)		
1	1	121850-21130	BOLT, FLYWHEEL	6	6	6	6	6	6		
2	1	119171-21590	FLYWHEEL ASSY	1	1						
2-1	1	119171-21591	FLYWHEEL ASSY	1	1	1	1	1	1	1	R
4	2	124550-21600	GEAR, RING	1	1	1	1	1	1	1	
5	1	119171-01600	HOUSING, FLYWHEEL	1	1						
5-1	1	119175-01500	HOUSING, FLYWHEEL	1	1	1	1	1	1	1	N
5-2	1	119175-01501	HOUSING, FLYWHEEL	1	1	1	1	1	1	1	S 1
6	1	119620-01750	CAP	1	1	1	1	1	1	1	
6-1	1	119575-01750	CAP	1	1	1	1	1	1	1	R
7	1	24311-000140	O-RING, 1AP14.0	1	1	1	1	1	1	1	
7-1	1	24311-000160	O-RING, 1AP16.0	1	1	1	1	1	1	1	S 1
8	1	26106-100252	BOLT, M10X 25 PLATED	8	8	8	8	8	8	8	
9	1	26106-100302	BOLT, M10X 30 PLATED	4	4	4	4	4	4	4	
10	1	119175-01650	FLANGE, MOUNTING	1	1			1	1	1	
11	1	119778-08200	MOUNT ASSY,RUBBER	1	1			1	1	1	W
12	2	119778-08350	SPACER	2	2			2	2	2	
13	1	26106-100302	BOLT, M10X 30 PLATED	12	12			12	12	12	
14	1	119175-21500	SPACER, FLYWHEEL	1							
14-1	1	119175-21510	SPACER, FLYWHEEL	1	1			1	1	1	R
15	1	26106-100252	BOLT, M10X 25 PLATED	6	6			6	6	6	
16	1	177074-03951	DISK, DAMPER							1	
17	1	26106-100202	BOLT, M10X 20 PLATED							6	
18	1	119779-08350	SPACER	2	2			2	2	2	W

Remarks  
 (1)Interchangeable by simultaneous replacement with Ref.No.5-2,7-1.

Fig.4. MOUNTING FOOT(4LHA-ST/DT(Z)E(P))

(A)=4LHA-STE(P) (D)=4LHA-DTZE(P)  
 (B)=4LHA-STZE(P) (E)=4LHA-HTE(P)  
 (C)=4LHA-DTE(P) (F)=4LHA-HTZE(P)

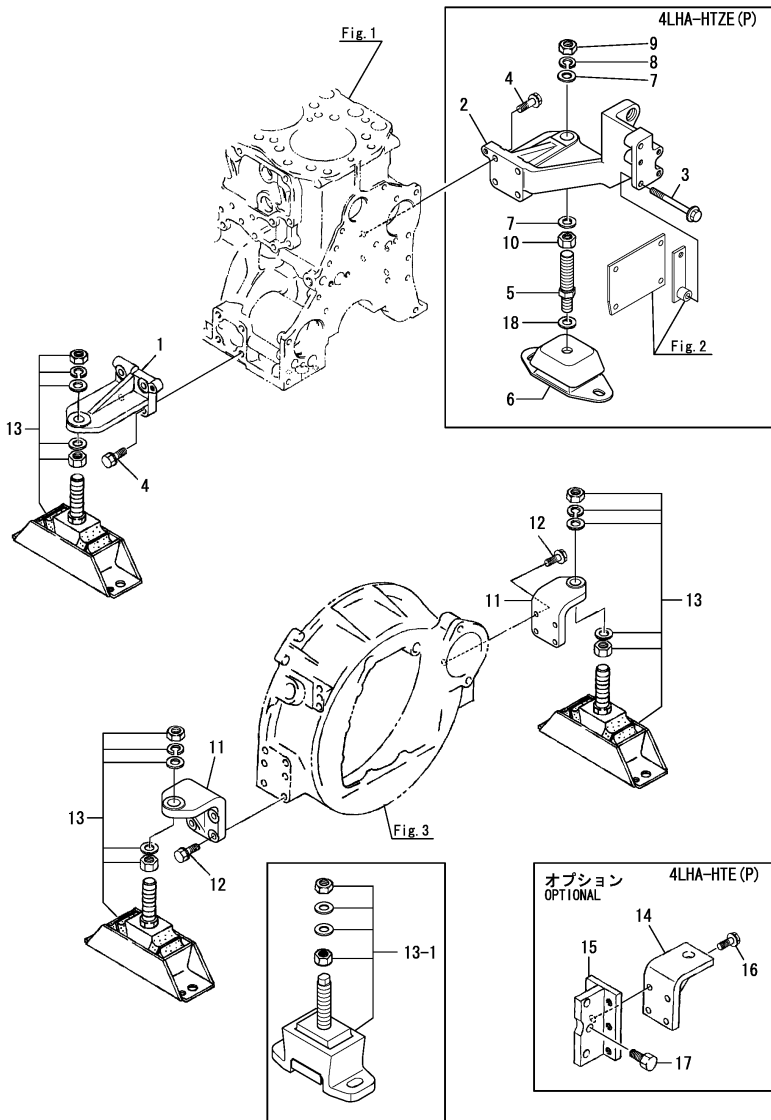


No.	Lev.	Parts No.	Description	Q'ty						I	R
				(A)	(B)	(C)	(D)	(E)	(F)		
1	1	119173-08100	FOOT, MOUNTING	2	1	2	1				
2	1	26106-100302	BOLT, M10X 30 PLATED	8	8	8	8				
3	1	119175-08120	FOOT, MOUNTING	2	2	2	2				
4	1	26106-100302	BOLT, M10X 30 PLATED	8	8	8	8				
4-1	1	26106-100352	BOLT, M10X 35 PLATED	8	8	8	8			N	
(A=EXXXXX) (B=EXXXXX) (C=EXXXXX) (D=EXXXXX)											
5	1	119173-08330	ABSORBER	4							
5-1	1	119175-08440	RUBBER ASSY, CUSHION	4						S 1	
(A=REF.TO R)											
5A	1	119173-08440	MOUNT, FLEXIBLE 300			4					
5A-1	1	119175-08440	RUBBER ASSY, CUSHION			4				S 1	
(C=REF.TO R)											
6	1	119175-08110	FOOT, MOUNTING	2							
6-1	1	119175-08111	FOOT, MOUNTING	2		2				R	
(A=E51410)											
7	1	26116-120352	BOLT, M12X 35 PLATED	8		8					
8	1	119175-08160	FOOT, MOUNTING		1		1				
9	1	26106-080802	BOLT, M8X 80 PLATED		2		2				
10	1	119175-08300	BOLT		2						
10-1	1	119175-08301	BOLT		2		2			N	
(B=EA0463)											
11	1	119175-08320	RUBBER, CUSHION		2		2				
12	1	22117-200000	WASHER, 20		4		4				
13	1	22217-200000	WASHER, SPRING 20		2		2				
14	1	26736-200002	NUT, M20		2		2				
15	1	26776-200002	NUT, LOCK M20		2		2				
16	1	119175-08330	WASHER		2		2			W	

(B=EA0463)

Remarks  
 (1)Interchangeable by simultaneous replacement with four set.  
 4LHA-STP=  
 Produces in YA :for E57110  
 Produces in TUKAGUCHI :for E0011  
 4LHA-DTP=  
 Produces in YA :for EM36126  
 Produces in TUKAGUCHI :for E0040

Fig.5. MOUNTING FOOT(4LHA-HT(Z)E(P))

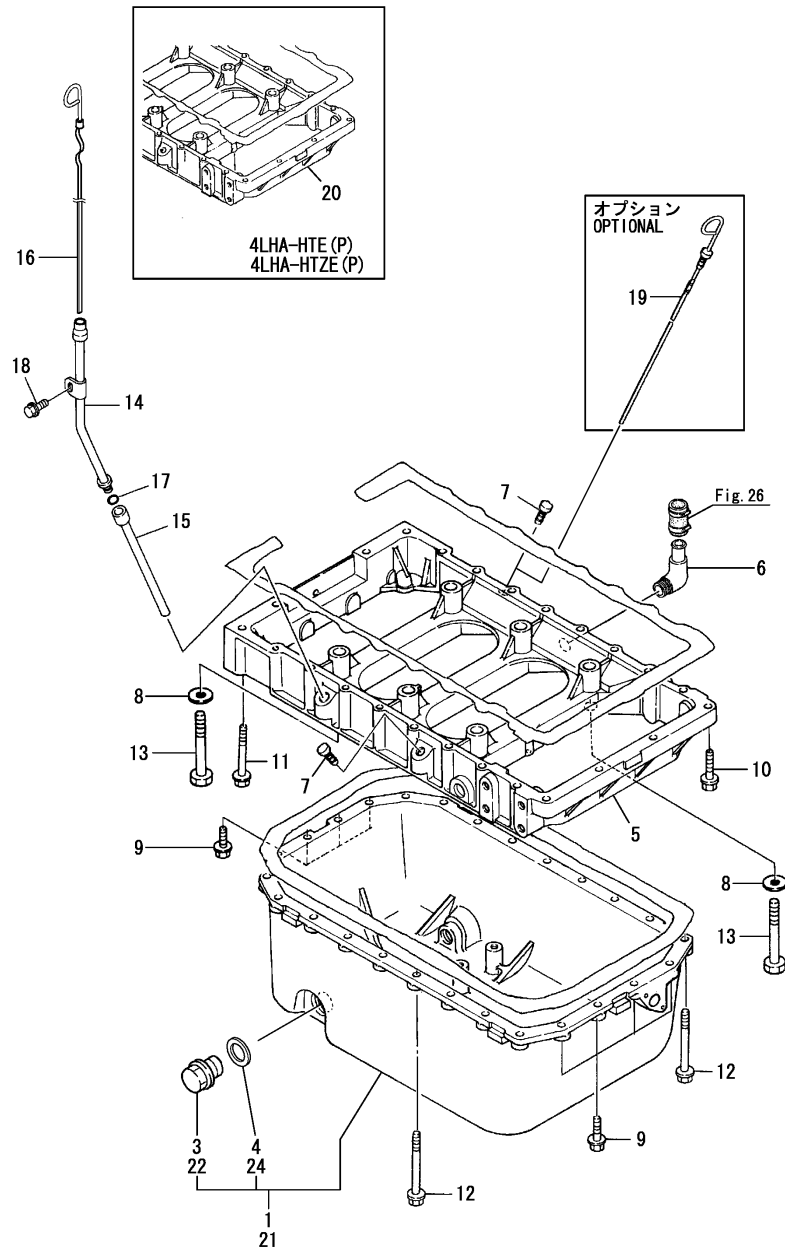


(A)=4LHA-STE(P) (D)=4LHA-DTZE(P)  
 (B)=4LHA-STZE(P) (E)=4LHA-HTE(P)  
 (C)=4LHA-DTE(P) (F)=4LHA-HTZE(P)

No.	Lev.	Parts No.	Description	Q'ty						I	R
				(A)	(B)	(C)	(D)	(E)	(F)		
1	1	119173-08100	FOOT, MOUNTING					2			1
2	1	119175-08160	FOOT, MOUNTING								1
3	1	26106-080802	BOLT, M8X 80 PLATED								2
4	1	26106-100302	BOLT, M10X 30 PLATED					8			8
4-1	1	26106-100352	BOLT, M10X 35 PLATED					8			8
				(E=EXXXXX)				(F=EXXXXX)			
5	1	119175-08301	BOLT								2
6	1	119175-08320	RUBBER, CUSHION								2
7	1	22117-200000	WASHER, 20								4
8	1	22217-200000	WASHER, SPRING 20								2
9	1	26736-200002	NUT, M20								2
10	1	26776-200002	NUT, LOCK M20								2
11	1	119175-08120	FOOT, MOUNTING					2			2
12	1	26106-100302	BOLT, M10X 30 PLATED					8			8
13	1	119173-08440	MOUNT, FLEXIBLE 300					4			
13-1	1	119175-08440	RUBBER ASSY, CUSHION					4			S 1
				(E=REF.TO R)							
14	1	119171-08111	FOOT, MOUNTING					2			
15	1	119171-08131	BRACKET					2			
16	1	26106-100252	BOLT, M10X 25 PLATED					8			
17	1	26116-120302	BOLT, M12X 30 PLATED					6			
18	1	119175-08330	WASHER								2

Remarks  
 (1)Interchangeable by simultaneous replacement with four set.  
 4LHA-HTP=  
 Produces in YA :for EM25936  
 Produces in TUKAGUCHI :for E0047

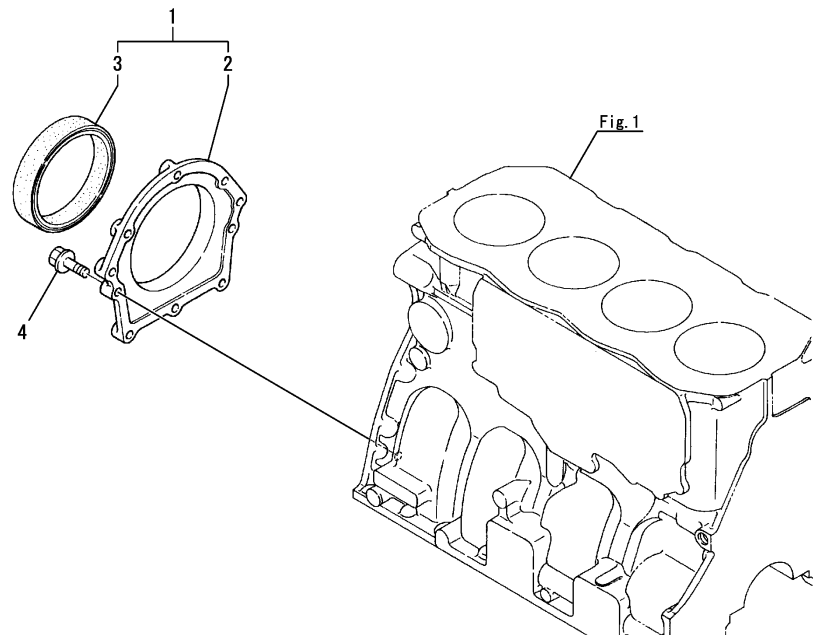
Fig.6. LUB.OIL SUMP



(A)=4LHA-STE(P)  
(B)=4LHA-STZE(P)  
(C)=4LHA-DTE(P)  
(D)=4LHA-DTZE(P)  
(E)=4LHA-HTE(P)  
(F)=4LHA-HTZE(P)

No.	Lev.	Parts No.	Description	Q'ty						I	R
				(A)	(B)	(C)	(D)	(E)	(F)		
1	1	719187-01540	SUMP ASSY, OIL	1	1	1	1				
3	2	119640-01640	PLUG, DRAIN M22	1	1	1	1				
4	2	22190-220002	WASHER, SEAL 22	1	1	1	1				
5	1	119184-01730	SPACER, OIL SUMP	1	1	1	1				
6	1	124070-13300	ELBOW, PT3/8	1	1	1	1	1	1		
7	1	124976-34850	CAP	2	2	2	2	2	2		
8	1	22117-120000	WASHER, 12	6	6	6	6	6	6		
9	1	26106-080252	BOLT, M8X 25 PLATED	8	8	8	8	8	8		
10	1	26106-080352	BOLT, M8X 35 PLATED	4	4	4	4	4	4		
11	1	26106-080702	BOLT, M8X 70 PLATED	2	2	2	2	2	2		
12	1	26106-080802	BOLT, M8X 80 PLATED	18	18	18	18	18	18		
13	1	26116-120852	BOLT, M12X 85 PLATED	6	6	6	6	6	6		
14	1	119175-34811	GUIDE, DIPSTICK	1	1	1	1	1	1		
15	1	119171-34820	GUIDE, DIPSTICK	1	1	1	1	1	1		
16	1	119175-34850	DIPSTICK, OIL	1	1						
16-1	1	119175-34851	DIPSTICK, OIL	1	1	1	1	1	1	1	N
		(A=E51645) (B=EA0836)									
17	1	24341-000100	O-RING, 1AS10.0	1	1	1	1	1	1		
18	1	26106-080162	BOLT, M8X 16 PLATED	1	1	1	1	1	1		
19	1	119171-34850	DIPSTICK, OIL	1	1	1	1	1	1		
20	1	119100-01730	SPACER							1	1
21	1	119100-01770	SUMP ASSY, OIL							1	1
22	2	119640-01640	PLUG, DRAIN M22							1	1
24	2	22190-220002	WASHER, SEAL 22							1	1

# Fig.7. OIL SEAL HOUSING



(A)=4LHA-STE(P)  
 (B)=4LHA-STZE(P)  
 (C)=4LHA-DTE(P)  
 (D)=4LHA-DTZE(P)  
 (E)=4LHA-HTE(P)  
 (F)=4LHA-HTZE(P)

No.	Lev.	Parts No.	Description	Q'ty						I	R
				(A)	(B)	(C)	(D)	(E)	(F)		
1	1	119100-01640	CASE ASSY, OIL SEAL	1	1	1	1	1	1		
2	2	119000-01650	CASE, OIL SEAL	1	1	1	1	1	1		
3	2	124411-01780	SEAL, HTC95X115X12	1	1	1	1	1	1		
4	1	26106-080252	BOLT, M8X 25 PLATED	8	8	8	8	8	8		

---

---

---

---

---

---

---

---

---

---

---

---

---

---

---

---

---

---

---

---

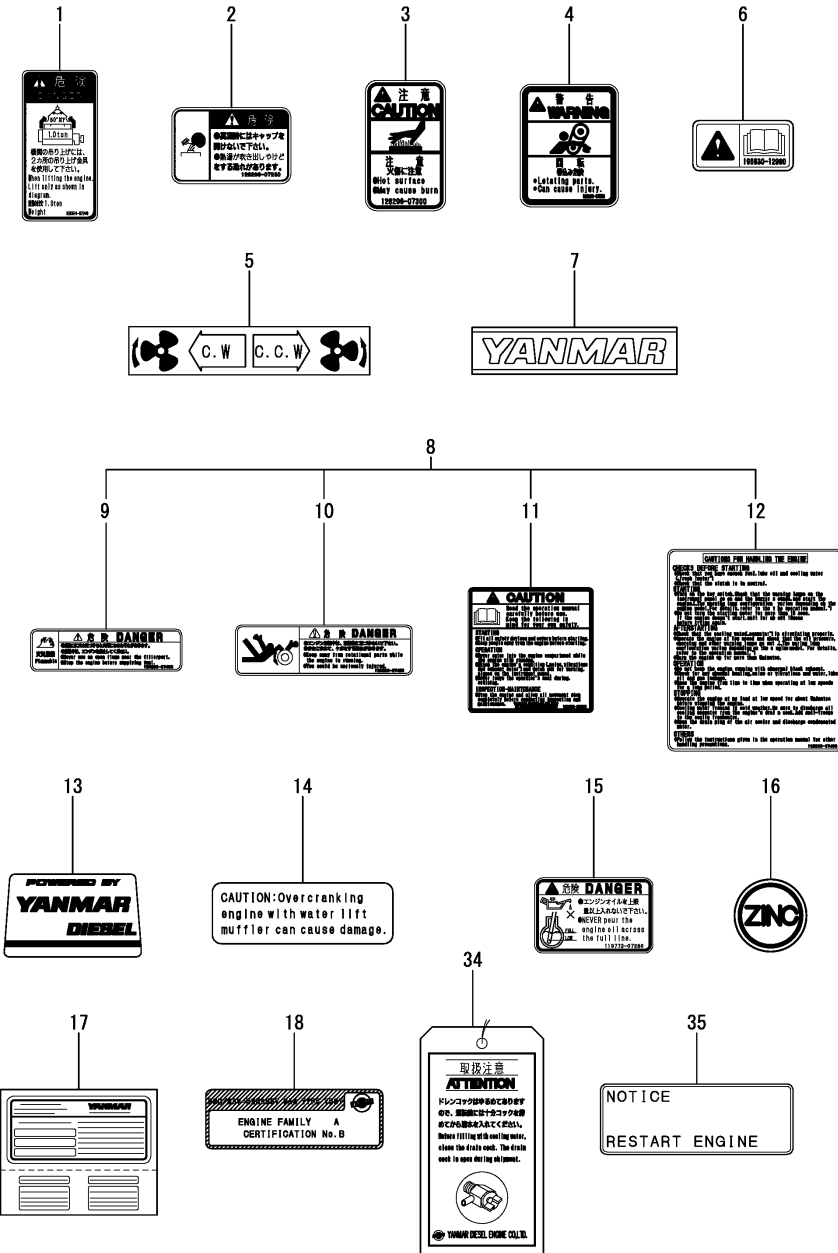
---

---

---

---

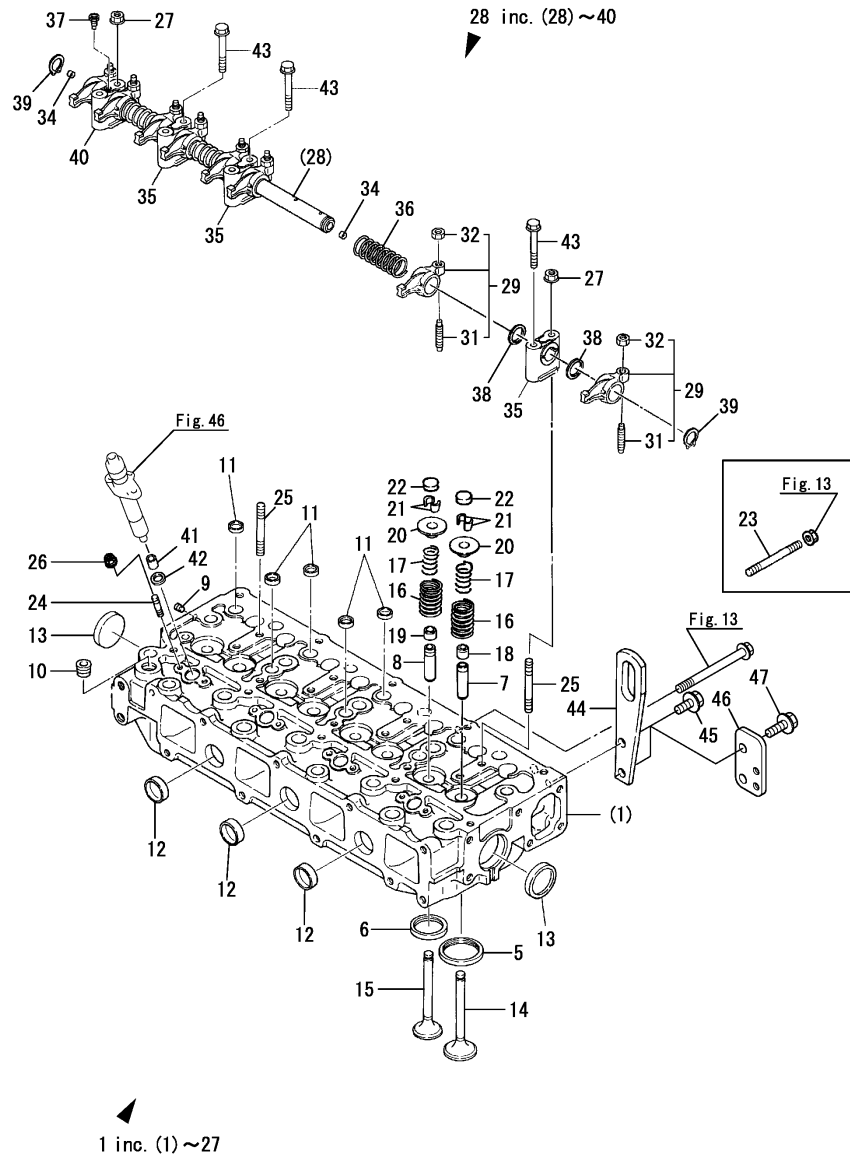
Fig.8. LABEL



(A)=4LHA-STE(P) (D)=4LHA-DTZE(P)  
 (B)=4LHA-STZE(P) (E)=4LHA-HTE(P)  
 (C)=4LHA-DTE(P) (F)=4LHA-HTZE(P)

No.	Lev.	Parts No.	Description	Qty						I	R
				(A)	(B)	(C)	(D)	(E)	(F)		
1	1	120324-07240	LABEL, DANGER	1	1	1	1	1	1		
2	1	128296-07260	LABEL, DANGER	1	1	1	1	1	1		
3	1	128296-07300	LABEL, DANGER	1	1	1	1	1	1		
4	1	128296-07350	LABEL, DANGER	1	1	1	1	1	1		
5	1	177073-02431	LABEL, DIRECTION						1		
6	1	196630-12980	LABEL, CAUTION	1	1	1	1	1	1		
7	1	194170-65891	LABEL, SEAT	1	1	1	1	1	1		
8	1	128296-07190	LABEL, LOOSE PARTS	1	1	1	1	1	1		
9	2	128296-07400	LABEL, DANGER	2	2	2	2	2	2		
10	2	128296-07420	LABEL, DANGER	1	1	1	1	1	1		
11	2	128296-07450	LABEL, DANGER	1	1	1	1	1	1		
12	2	128296-07460	LABEL, DANGER	1	1	1	1	1	1		
13	1	119778-07500	LABEL, YANMAR		1		1		1		
14	1	128171-07150	LABEL	1	1	1	1	1	1		
15	1	119773-07280	LABEL, DANGER	1	1	1	1	1	1		
16	1	119574-07400	LABEL	5	5	5	5	5	5		
17	1	119175-07400	LABEL, REGISTRATION		1						
17-1	1	119175-07450	LABEL, REGISTRATION		1						S
(B=EA0421)											
17A	1	119173-07450	LABEL, REGISTRATION				1				
17B	1	119172-07450	LABEL, REGISTRATION								1
17C	1	119175-07600	LABEL, REGISTRATION		1						
17D	1	119173-07600	LABEL, REGISTRATION				1				
17E	1	119172-07600	LABEL, REGISTRATION								1
18	1	119175-07520	LABEL, BSO	1	1						W
(A=E50372) (B=EA0401)											
18A	1	119173-07520	LABEL, BSO			1	1				
18B	1	119172-07520	LABEL, BSO					1	1	1	1
34	1	123682-07852	LABEL, CAUTION	1	1	1	1	1	1	1	W
(A=EXXXXX) (B=EXXXXX) (C=EXXXXX) (D=EXXXXX) (E=EXXXXX) (F=EXXXXX)											
35	1	119175-07260	LABEL, CAUTION	1	1			1			W
(A=EXXXXX) (C=EXXXXX) (E=EXXXXX)											

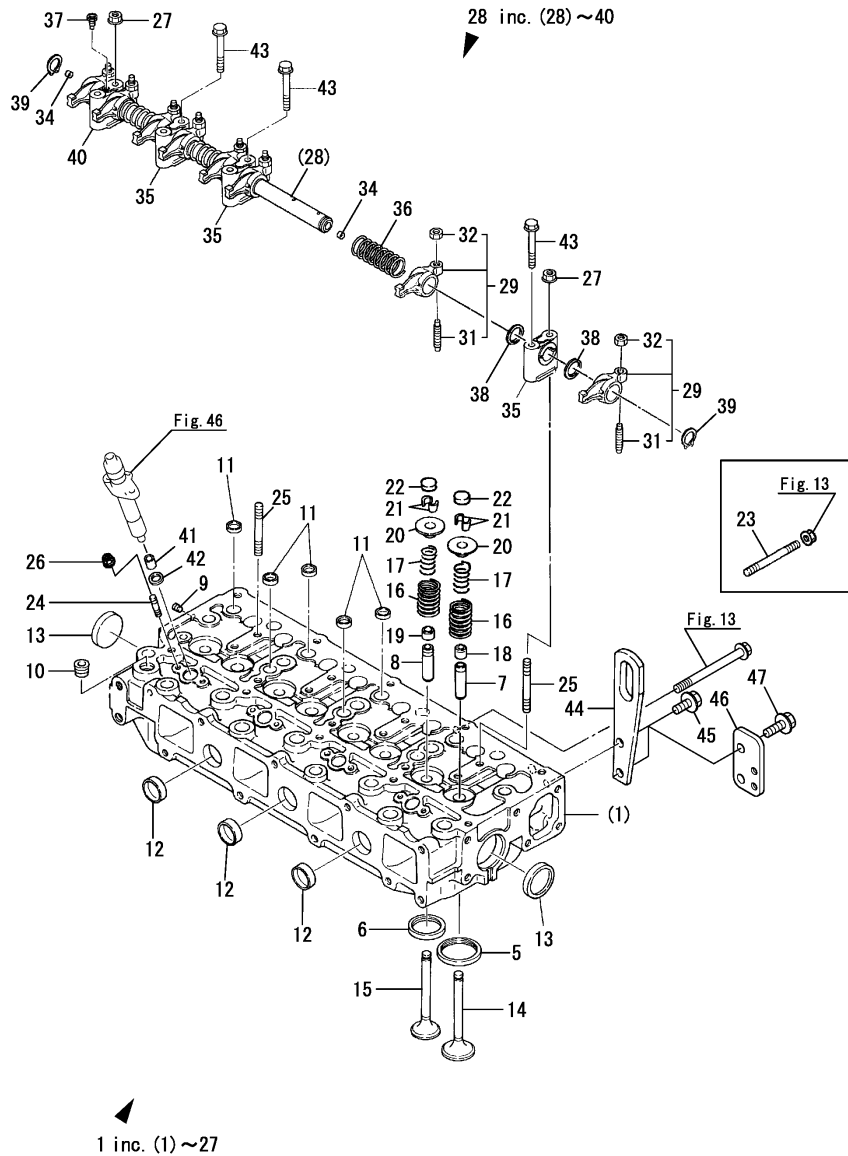
Fig.9. CYLINDER HEAD(4LHA-ST/DT(Z)E(P))



(A)=4LHA-STE(P)  
 (B)=4LHA-STZE(P)  
 (C)=4LHA-DTE(P)  
 (D)=4LHA-DTZE(P)  
 (E)=4LHA-HTE(P)  
 (F)=4LHA-HTZE(P)

No.	Lev.	Parts No.	Description	Q'ty						I	R
				(A)	(B)	(C)	(D)	(E)	(F)		
1	1	719175-11700	HEAD ASSY, CYLINDER	1	1						
1A	1	719173-11710	HEAD ASSY, CYLINDER			1	1				
5	3	119173-11080	SEAT, INTAKE VALVE	4	4	4	4				
6	3	119173-11090	SEAT, EXHAUST VALVE	4	4	4	4				
6-1	3	119173-11091	SEAT, VALVE	4	4	4	4				N
		(A=EXXXXX) (B=EXXXXX) (C=EXXXXX) (D=EXXXXX)									
7	3	121850-11160	GUIDE, VALVE	4	4	4	4				
8	3	119000-11170	GUIDE, VALVE	4	4	4	4				
9	3	23871-005000	PLUG, R005	1	1						
9-1	3	23876-005000	PLUG, R005	1	1	1	1				N
		(A=E50582) (B=EA0421)									
10	3	23871-030000	PLUG, R03	1	1						
10-1	3	23876-030000	PLUG, R03	1	1	1	1				N
		(A=E50582) (B=EA0421)									
11	3	27241-160000	PLUG, 16	4	4	4	4				
11-1	3	119000-11990	PLUG, 16	4	4	4	4				N
		(A=EXXXXX) (B=EXXXXX) (C=EXXXXX) (D=EXXXXX)									
12	3	27241-280000	PLUG, 28	3	3	3	3				
12-1	3	119100-11990	PLUG, 28	3	3	3	3				N
		(A=EXXXXX) (B=EXXXXX) (C=EXXXXX) (D=EXXXXX)									
13	3	27241-400000	PLUG, 40	2	2	2	2				
13-1	3	119885-01990	PLUG, 40	2	2	2	2				N
		(A=EXXXXX) (B=EXXXXX) (C=EXXXXX) (D=EXXXXX)									
14	2	119173-11101	VALVE, INTAKE	4	4	4	4				
15	2	119593-11110	VALVE, EXHAUST	4	4						
15A	2	119173-11110	VALVE, EXHAUST			4	4				
16	2	124617-11120	SPRING, VALVE OUTER	8	8	8	8				
17	2	124617-11130	SPRING, VALVE INNER	8	8	8	8				
18	2	121850-11150	SEAL, VALVE STEM	4	4	4	4				
19	2	119171-11150	SEAL, VALVE STEM	4	4	4	4				
20	2	124411-11180	RETAINER, SPRING	8	8	8	8				
21	2	27310-090001	COTTER, 9	8	8	8	8				
22	2	119171-11370	CAP, VALVE	8	8	8	8				
23	2	119175-13150	STUD	2	2	2	2				Z
		(A=*2003.09) (B=*2003.09) (C=*2003.09) (D=*2003.09)									
24	2	119593-11911	BOLT	8	8						
24-1	2	119175-11910	BOLT	8	8	8	8				N
		(A=E50155) (B=E50182)									
25	2	26216-080652	STUD, M8X 65	2	2	2	2				
26	2	26366-060002	NUT, M6	8	8	8	8				
27	2	26306-080002	NUT, M8	2	2	2	2				
28	1	119173-11240	SHAFT ASSY, ROCKER	1	1	1	1				
29	2	719000-11651	ARM ASSY, ROCKER	8	8	8	8				
31	3	119000-11230	SCREW, VALVE ADJUST	8	8	8	8				
32	3	129150-11750	NUT, M8	8	8	8	8				
34	3	27241-100000	PLUG, 10	2	2	2	2				
35	2	119000-11270	SUPPORT, ROCKER ARM	3	3	3	3				
36	2	119000-11280	SPRING	3	3	3	3				
37	2	119000-11290	BOLT	1	1	1	1				
38	2	119173-11350	SPACER	8	8	8	8				
39	2	22242-000180	RING, 18	2	2	2	2				

Fig.9. CYLINDER HEAD(4LHA-ST/DT(Z)E(P))

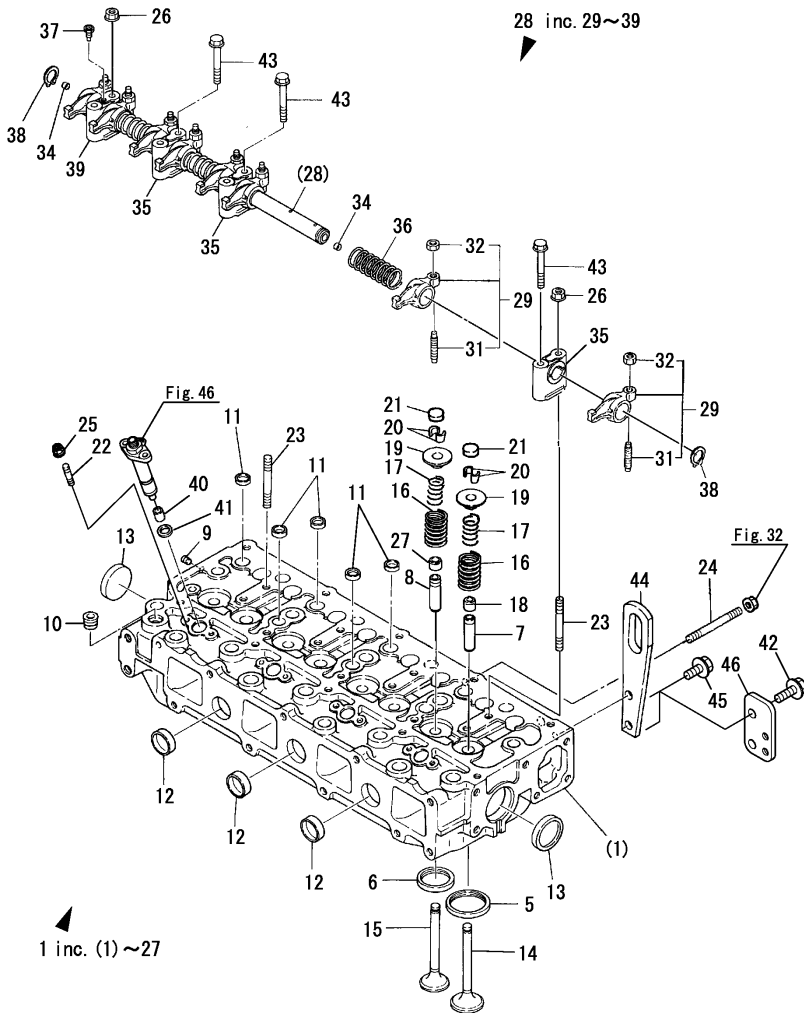


(A)=4LHA-STE(P)  
 (B)=4LHA-STZE(P)  
 (C)=4LHA-DTE(P)  
 (D)=4LHA-DTZE(P)  
 (E)=4LHA-HTE(P)  
 (F)=4LHA-HTZE(P)

No.	Lev.	Parts No.	Description	Q'ty						I	R
				(A)	(B)	(C)	(D)	(E)	(F)		
40	2	119000-11260	SUPPORT, ROCKER ARM	1	1	1	1				
41	1	119625-11870	PROTECTOR, NOZZLE	4	4	4	4				
42	1	119625-11880	SEAT, NOZZLE	4	4	4	4				
43	1	26106-080652	BOLT, M8X 65 PLATED	6	6	6	6				
44	1	119000-07200	LIFTER	2	2	2	2				
45	1	26106-100202	BOLT, M10X 20 PLATED	4	4	4	4				
45-1	1	26106-100252	BOLT, M10X 25 PLATED	4	4	4	4			N	
		(A=EXXXXX) (B=EXXXXX) (C=EXXXXX) (D=EXXXXX)									
46	1	119172-77160	SUPPORT	1	1	1	1			W	
		(A=E51115) (B=EA0624)									
47	1	26106-100252	BOLT, M10X 25 PLATED	2	2	2	2			W	
		(A=E51115) (B=EA0624)									



Fig.10. CYLINDER HEAD(4LHA-HT(Z)E(P))



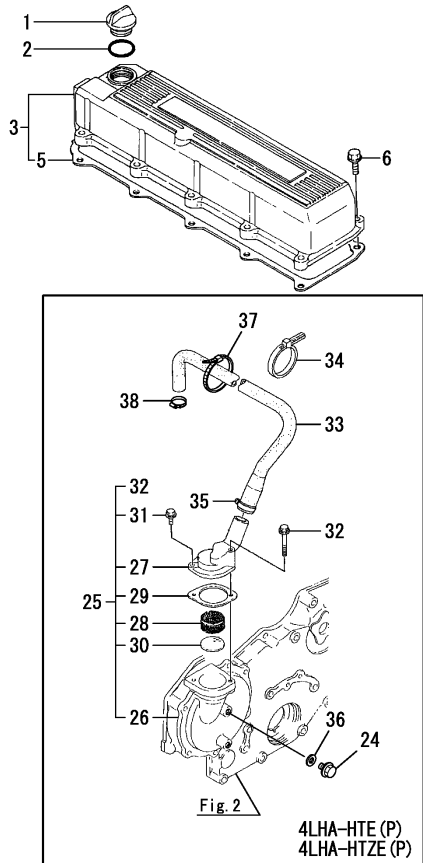
(A)=4LHA-STE(P) (D)=4LHA-DTZE(P)  
 (B)=4LHA-STZE(P) (E)=4LHA-HTE(P)  
 (C)=4LHA-DTE(P) (F)=4LHA-HTZE(P)

No.	Lev.	Parts No.	Description	Q'ty						I	R	
				(A)	(B)	(C)	(D)	(E)	(F)			
1	1	719172-11700	HEAD ASSY, CYLINDER					1	1			
5	3	119100-11080	SEAT, INTAKE VALVE					4	4			
6	3	119100-11090	SEAT, EXHAUST VALVE					4	4			
7	3	121850-11160	GUIDE, VALVE					4	4			
8	3	119000-11170	GUIDE, VALVE					4	4			
9	3	23876-005000	PLUG, R005					1	1			
10	3	23876-030000	PLUG, R03					1	1			
11	3	27241-160000	PLUG, 16					7	7			
11-1	3	119000-11990	PLUG, 16					7	7	N		
12	3	27241-280000	PLUG, 28	(E=EXXXXX)				(F=EXXXXX)	3	3		
12-1	3	119100-11990	PLUG, 28					3	3	N		
13	3	27241-400000	PLUG, 40	(E=EXXXXX)				(F=EXXXXX)	2	2		
13-1	3	119885-01990	PLUG, 40					2	2	N		
14	2	121850-11100	VALVE, INTAKE	(E=EXXXXX)				(F=EXXXXX)	4	4		
15	2	119171-11110	VALVE, EXHAUST					4	4			
16	2	124617-11120	SPRING, VALVE OUTER					8	8			
17	2	124617-11130	SPRING, VALVE INNER					8	8			
18	2	121850-11150	SEAL, VALVE STEM					4	4			
19	2	124411-11180	RETAINER, SPRING					8	8			
20	2	27310-090001	COTTER, 9					8	8			
21	2	119171-11370	CAP, VALVE					8	8			
22	2	119175-11910	BOLT					8	8			
23	2	26216-080652	STUD, M8X 65					2	2			
24	2	119172-44300	STUD					2	2			
25	2	26366-060002	NUT, M6					8	8			
26	2	26306-080002	NUT, M8					2	2			
27	2	119171-11150	SEAL, VALVE STEM					4	4			
28	1	119100-11230	SHAFT ASSY, ROCKER					1	1			
29	2	719129-11660	ARM ASSY, ROCKER					8	8			
31	3	119000-11230	SCREW, VALVE ADJUST					8	8			
32	3	129150-11750	NUT, M8					8	8			
34	3	27241-100000	PLUG, 10					2	2			
35	2	119000-11270	SUPPORT, ROCKER ARM					3	3			
36	2	119000-11280	SPRING					3	3			
37	2	119000-11290	BOLT					1	1			
38	2	22242-000180	RING, 18					2	2			
39	2	119000-11260	SUPPORT, ROCKER ARM					1	1			
40	1	119625-11870	PROTECTOR, NOZZLE					4	4			
41	1	119625-11880	SEAT, NOZZLE					4	4			
42	1	26106-100252	BOLT, M10X 25 PLATED					2	2			
43	1	26106-080652	BOLT, M8X 65 PLATED					6	6			
44	1	119000-07200	LIFTER					2	2			
45	1	26106-100202	BOLT, M10X 20 PLATED					4	4			
45-1	1	26106-100252	BOLT, M10X 25 PLATED					4	4	N		
46	1	119172-77160	SUPPORT	(E=EXXXXX)				(F=EXXXXX)	1	1		

Fig.11. BONNET & BREATHER

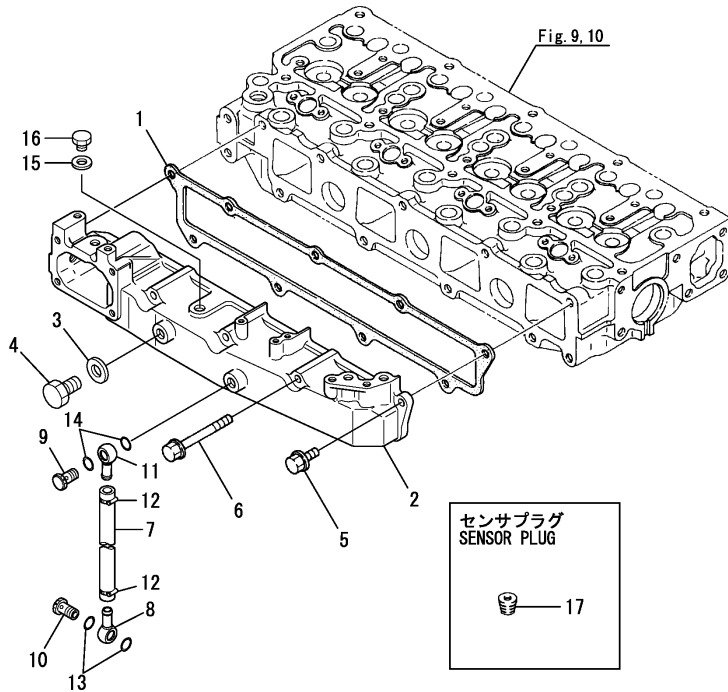
(A)=4LHA-STE(P) (D)=4LHA-DTZE(P)  
 (B)=4LHA-STZE(P) (E)=4LHA-HTE(P)  
 (C)=4LHA-DTE(P) (F)=4LHA-HTZE(P)

No.	Lev.	Parts No.	Description	Q'ty						I	R	
				(A)	(B)	(C)	(D)	(E)	(F)			
1	1	124160-01751	COVER, FILLER	1	1	1	1	1	1			
2	1	24311-000320	O-RING, 1AP32.0	1	1	1	1	1	1			
3	1	119173-11300	BONNET ASSY, HEAD	1	1	1	1	1	1			
5	2	119100-11320	GASKET, BONNET	1	1	1	1	1	1			
6	1	26106-080252	BOLT, M8X 25 PLATED	10	10	10	10	10	10			
7	1	119175-03021	COVER ASSY	1	1		1					
8	2	119174-01932	COVER	1	1		1					
9	2	119173-03030	COVER, BREATHER	1	1		1					
10	2	121850-03050	FILTER, BREATHER	1	1		1					
11	2	124411-03051	GASKET	1	1		1					
12	2	121750-03080	PLATE, BAFFLE	1	1		1					
13	2	26106-060452	BOLT, M6X 45 PLATED	1	1		1					
14	2	26106-060182	BOLT, M6X 18 PLATED	1	1		1					
15	2	119174-03192	PLATE, BAFFLE	1	1		1					
16	2	129122-44480	JOINT	1	1		1					
17	2	26557-040062	SCREW, M4X 6	9	9		9					
18	1	121750-59890	BAND, 140	4	4		4					
19	1	119174-39700	HOSE, RUBBER	1	1		1					
20	1	129122-44480	JOINT	1	1		1					
21	1	23000-022000	CLAMP, 22	2	2		2					
21-1	1	119172-48190	CLIP, HOSE 19	2	2		2				R	
		(A=EXXXXX) (B=EXXXXX) (D=EXXXXX)										
22	1	119175-03100	HOSE, BREATHER	1	1		1					
23	1	23000-035000	CLAMP, 35	1	1		1					
23-1	1	119172-48350	CLIP, HOSE 35	1	1		1				N	
		(A=EXXXXX) (B=EXXXXX) (D=EXXXXX)										
24	1	26106-080122	BOLT, M8X 12 PLATED			1		1	1			
25	1	119173-03020	COVER ASSY			1		1	1			
26	2	119187-01930	COVER			1		1	1			
27	2	119173-03030	COVER, BREATHER			1		1	1			
28	2	121850-03050	FILTER, BREATHER			1		1	1			
29	2	124411-03051	GASKET			1		1	1			
30	2	121750-03080	PLATE, BAFFLE			1		1	1			
31	2	26106-060182	BOLT, M6X 18 PLATED			1		1	1			
32	2	26106-060452	BOLT, M6X 45 PLATED			1		1	1			
33	1	119175-03100	HOSE, BREATHER			1		1	1			
34	1	121750-59890	BAND, 140			2		2	2			
35	1	23000-035000	CLAMP, 35			1		1	1			
35-1	1	119172-48350	CLIP, HOSE 35			1		1	1		N	
		(C=EXXXXX) (E=EXXXXX) (F=EXXXXX)										
36	1	23414-080000	GASKET, 8X1.0			1		1	1			
37	1	29621-300000	BAND, TR300			1	1	1	1	1	1	W
		(A=EXXXXX) (B=EXXXXX) (C=EXXXXX) (D=EXXXXX) (E=EXXXXX) (F=EXXXXX)										
38	1	119172-48280	CLIP, HOSE 28			1	1	1	1	1	1	
38-1	1	119172-48250	CLIP, HOSE 25			1	1	1	1	1	1	R
		(A=EXXXXX) (B=EXXXXX) (C=EXXXXX) (D=EXXXXX) (E=EXXXXX) (F=EXXXXX)										



7 inc. 8~17

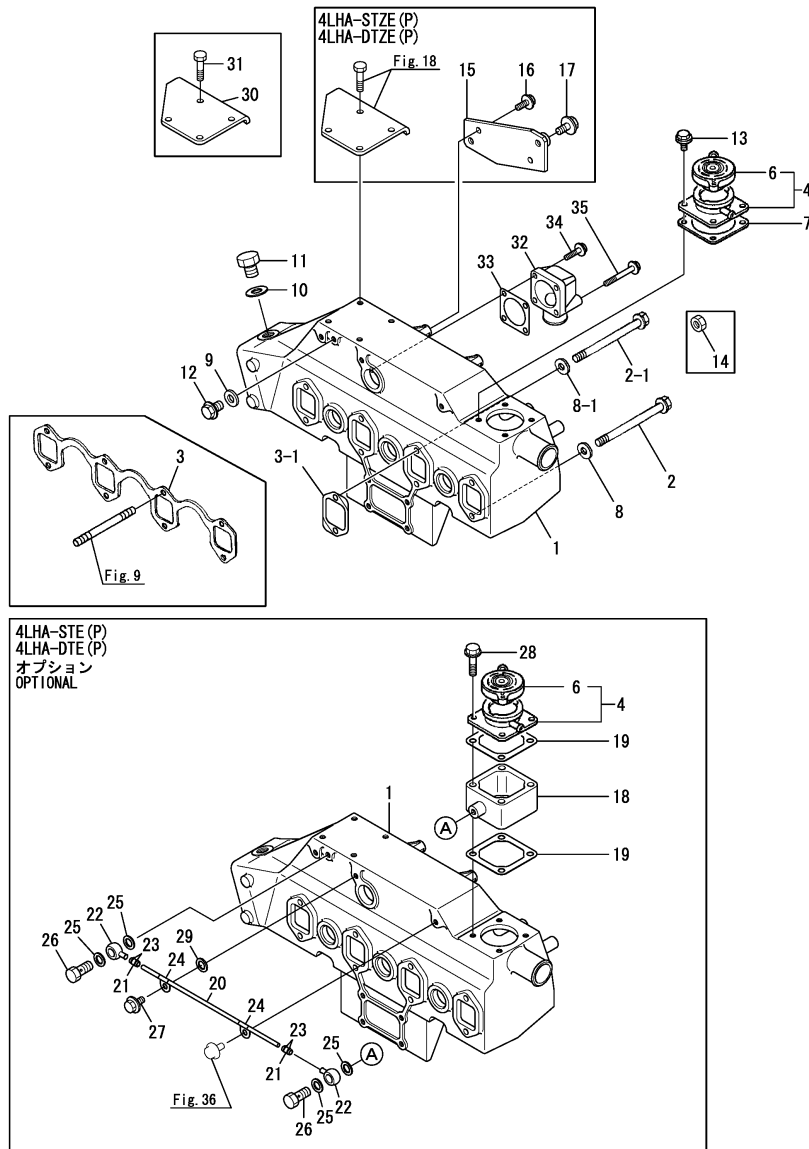
Fig.12. SUCTION MANIFOLD



(A)=4LHA-STE(P)  
 (B)=4LHA-STZE(P)  
 (C)=4LHA-DTE(P)  
 (D)=4LHA-DTZE(P)  
 (E)=4LHA-HTE(P)  
 (F)=4LHA-HTZE(P)

No.	Lev.	Parts No.	Description	Q'ty						I	R
				(A)	(B)	(C)	(D)	(E)	(F)		
1	1	119100-12112	GASKET, MANIFOLD	1	1						
1-1	1	119100-12113	GASKET, MANIFOLD	1	1	1	1	1	1	1	N
		(A=E50448) (B=EA0401)									
2	1	119175-12110	MANIFOLD, INTAKE	1	1	1	1	1	1	1	
3	1	23414-120000	GASKET, 12X1.0	1	1	1	1	2	2		
4	1	23887-120002	PLUG, 12	1	1	1	1	2	2		
5	1	26106-080202	BOLT, M8X 20 PLATED	6	6	6	6	6	6		
6	1	26106-080702	BOLT, M8X 70 PLATED	3	3	3	3	3	3		
7	1	127695-18490	JOINT, RUBBER L45	1	1						
7-1	1	119593-18480	JOINT, RUBBER	1	1						N
		(A=E50372) (B=EA0401)									
7-2	1	127695-18490	JOINT, RUBBER L45	1	1	1	1				N
		(A=E51494) (B=EA0830)									
8	1	129590-18520	JOINT	1	1	1	1				
9	1	103854-39140	BOLT, PIPE JOINT	1	1	1	1				
10	1	124160-39140	BOLT, PIPE JOINT M10	1	1	1	1				
11	1	104264-59020	JOINT	1	1	1	1				
12	1	23000-013000	CLAMP, 13	2	2	2	2				
12-1	1	119172-48130	CLIP, HOSE 13	2	2	2	2				R
		(A=EXXXXX) (B=EXXXXX) (C=EXXXXX) (D=EXXXXX)									
13	1	23414-100000	GASKET, 10X1.0	2	2	2	2				
14	1	23414-120000	GASKET, 12X1.0	2	2	2	2				
15	1	23414-200000	GASKET, 20X1.0	2	2	2	2				W
		(A=E50759) (B=EA0515)									
16	1	23887-200002	PLUG, 20	2	2	2	2				W
		(A=E50759) (B=EA0515)									
17	1	23876-010000	PLUG, R01	1	1	1	1				W
		(A=EXXXXX) (B=EXXXXX) (C=EXXXXX) (D=EXXXXX)									

Fig.13. EXHAUST MANIFOLD



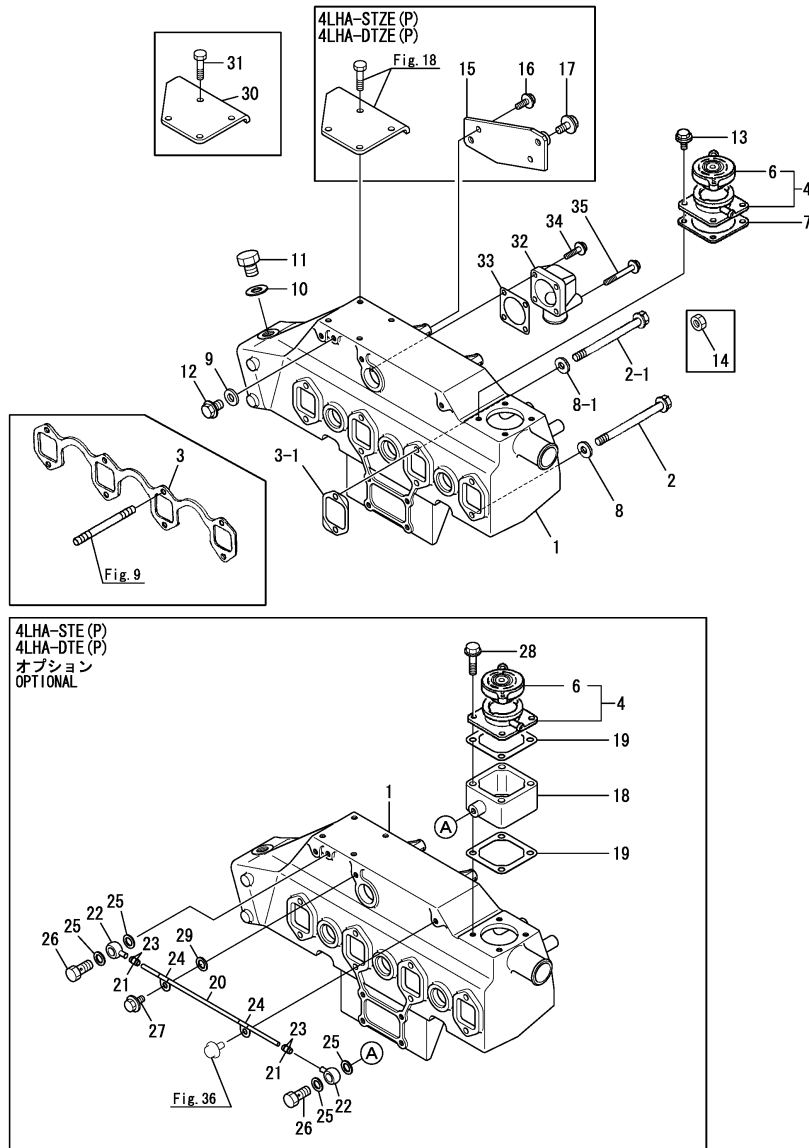
(A)=4LHA-STZE(P)  
 (B)=4LHA-STZE(P)  
 (C)=4LHA-DTE(P)  
 (D)=4LHA-DTZE(P)  
 (E)=4LHA-HTE(P)  
 (F)=4LHA-HTZE(P)

No.	Lev.	Parts No.	Description	Q'ty						I	R
				(A)	(B)	(C)	(D)	(E)	(F)		
1	1	119175-13110	MANIFOLD, EXHAUST	1	1						
1-1	1	119175-13111	MANIFOLD, EXHAUST	1	1						N
		(A=E50582) (B=EA0421)									
1-2	1	119175-13112	MANIFOLD, EXHAUST	1	1	1	1				N
		(A=E50653) (B=EA0463)									
1-3	1	119175-13113	MANIFOLD, EXHAUST	1	1	1	1				F 2
		(A=EXXXXX) (B=EXXXXX) (C=EXXXXX) (D=EXXXXX)									
2	1	119175-13140	BOLT	6	6	6	6				
2-1	1	119175-13140	BOLT	8	8	8	8				K
		(A=*2003.09) (B=*2003.09) (C=*2003.09) (D=*2003.09)									
3	1	119174-13201	GASKET, COOLER	1	1	1	1				
3-1	1	119595-13200	GASKET	4	4	4	4				N
		(A=*2003.09) (B=*2003.09) (C=*2003.09) (D=*2003.09)									
4	1	129171-44600	FILLER ASSY	1	1	1	1				
6	2	129107-44590	CAP, RADIATOR	1	1	1	1				
7	1	120445-44640	GASKET	1	1	1	1				
8	1	22137-080000	WASHER, 8	6	6	6	6				
8-1	1	22137-080000	WASHER, 8	8	8	8	8				K
		(A=*2003.09) (B=*2003.09) (C=*2003.09) (D=*2003.09)									
9	1	23414-080012	GASKET, 8X1.0	1	1	1	1				
10	1	23414-170000	GASKET, 17X1.0	1	1	1	1				
11	1	23894-030002	PLUG, G3/8	1	1	1	1				
12	1	26106-080122	BOLT, M8X 12 PLATED	1	1	1	1				
13	1	26106-080142	BOLT, M8X 14 PLATED	4	4	4	4				
14	1	26306-080002	NUT, M8	2	2	2	2				Z
		(A=*2003.09) (B=*2003.09) (C=*2003.09) (D=*2003.09)									
15	1	119175-67250	BRACKET		1		1				
16	1	26106-080182	BOLT, M8X 18 PLATED		4		4				
17	1	26106-100182	BOLT, M10X 18 PLATED		2		2				
18	1	119595-44600	SPACER	1		1					W 1
		(A=E50507)									
19	1	120445-44640	GASKET	2		2					W 1
		(A=E50507)									
20	1	119175-44700	PIPE, WATER	1		1					W 1
		(A=E50507)									
21	1	119175-44800	JOINT	2		2					W 1
		(A=E50507)									
22	1	104264-59030	JOINT, PIPE 8	2		2					W 1
		(A=E50507)									
23	1	23000-013000	CLAMP, 13	4		4					W 1
		(A=E50507)									
23-1	1	119172-48130	CLIP, HOSE 13	4		4					N 1
		(A=EXXXXX) (C=EXXXXX)									
24	1	23297-080081	CLAMP, A8X 8	2		2					W 1
		(A=E50507)									
25	1	23414-080012	GASKET, 8X1.0	4		4					W 1
		(A=E50507)									
26	1	23857-030000	BOLT, JOINT 3	2		2					W 1
		(A=E50507)									
27	1	26106-080162	BOLT, M8X 16 PLATED	1		1					W 1
		(A=E50507)									

Remarks  
 (1)Optional.  
 (2)Interchangeable by simultaneous replacement with No.1-3,32,33,34, 35.

Fig.13. EXHAUST MANIFOLD

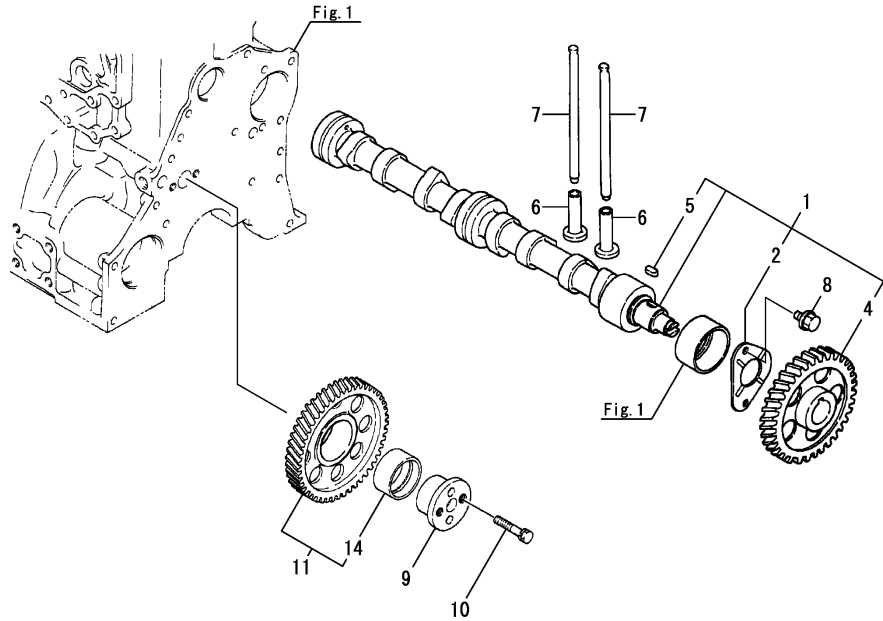
(A)=4LHA-STE(P)  
 (B)=4LHA-STZE(P)  
 (C)=4LHA-DTE(P)  
 (D)=4LHA-DTZE(P)  
 (E)=4LHA-HTE(P)  
 (F)=4LHA-HTZE(P)



No.	Lev.	Parts No.	Description	Q'ty						I	R
				(A)	(B)	(C)	(D)	(E)	(F)		
28	1	26106-080602	BOLT, M8X 60 PLATED (A=E50507)	4	4					W	1
29	1	22137-080000	WASHER, 8 (A=E50507)	1	1					W	1
30	1	119175-13510	BRACKET, BEND (B=EA0461)		1		1			W	
30-1	1	119175-13511	BRACKET, BEND (B=EA0463)		1		1			S	
30-2	1	119175-13511	BRACKET, BEND (B=EXXXXX)		1		1			Z	
31	1	26106-080202	BOLT, M8X 20 PLATED (B=EA0461)		4		4			W	
31-1	1	26106-080202	BOLT, M8X 20 PLATED (B=EXXXXX)		4		4			Z	
32	1	119171-49530	COVER, THERMOSTAT (A=EXXXXX) (B=EXXXXX) (C=EXXXXX) (D=EXXXXX)	1	1	1	1			W	2
33	1	121850-49540	GASKET, THERMOSTAT (A=EXXXXX) (B=EXXXXX) (C=EXXXXX) (D=EXXXXX)	1	1	1	1			W	2
34	1	26106-060202	BOLT, M6X 20 PLATED (A=EXXXXX) (B=EXXXXX) (C=EXXXXX) (D=EXXXXX)	2	2	2	2			W	2
35	1	26106-060452	BOLT, M6X 45 PLATED (A=EXXXXX) (B=EXXXXX) (C=EXXXXX) (D=EXXXXX)	2	2	2	2			W	2

Remarks  
 (1)Optional.  
 (2)Interchangeable by simultaneous replacement with No.1-3,32,33,34, 35.

Fig.14. CAMSHAFT & DRIVING GEAR

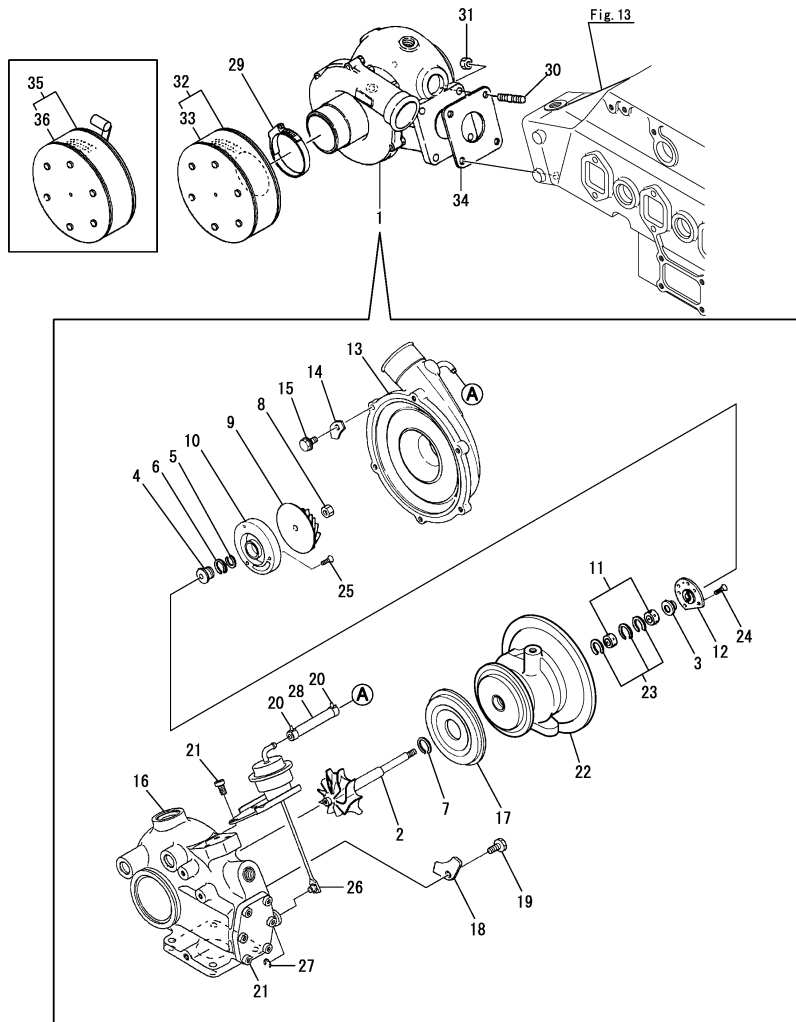


(A)=4LHA-STE(P)  
 (B)=4LHA-STZE(P)  
 (C)=4LHA-DTE(P)  
 (D)=4LHA-DTZE(P)  
 (E)=4LHA-HTE(P)  
 (F)=4LHA-HTZE(P)

No.	Lev.	Parts No.	Description	Q'ty						I	R
				(A)	(B)	(C)	(D)	(E)	(F)		
1	1	119195-14000	CAMSHAFT ASSY	1	1						
1A	1	119171-14000	CAMSHAFT ASSY								
2	2	119000-02450	BEARING, THRUST			1	1	1	1		
4	2	119000-14100	GEAR, CAMSHAFT Z=48	1	1	1	1	1	1		
5	2	22512-070140	KEY, 7X 14	1	1	1	1	1	1		
6	1	119000-14200	TAPPET	8	8	8	8	8	8		
7	1	119171-14400	ROD, PUSH L=178	8	8	8	8	8	8		
8	1	26106-080162	BOLT, M8X 16 PLATED	2	2	2	2	2	2		
9	1	119000-25050	SHAFT, IDLE GEAR	1	1	1	1	1	1		
10	1	119174-25060	BOLT, M8X45	2	2	2	2	2	2		
11	1	119000-25100	GEAR ASSY, IDLE Z=51	1	1	1	1	1	1		
14	2	119000-25930	BUSH, IDLE GEAR	1	1	1	1	1	1		

Fig.15. TURBOCHARGER(4LHA-ST(Z)E(P))

(A)=4LHA-STE(P) (D)=4LHA-DTZE(P)  
 (B)=4LHA-STZE(P) (E)=4LHA-HTE(P)  
 (C)=4LHA-DTE(P) (F)=4LHA-HTZE(P)

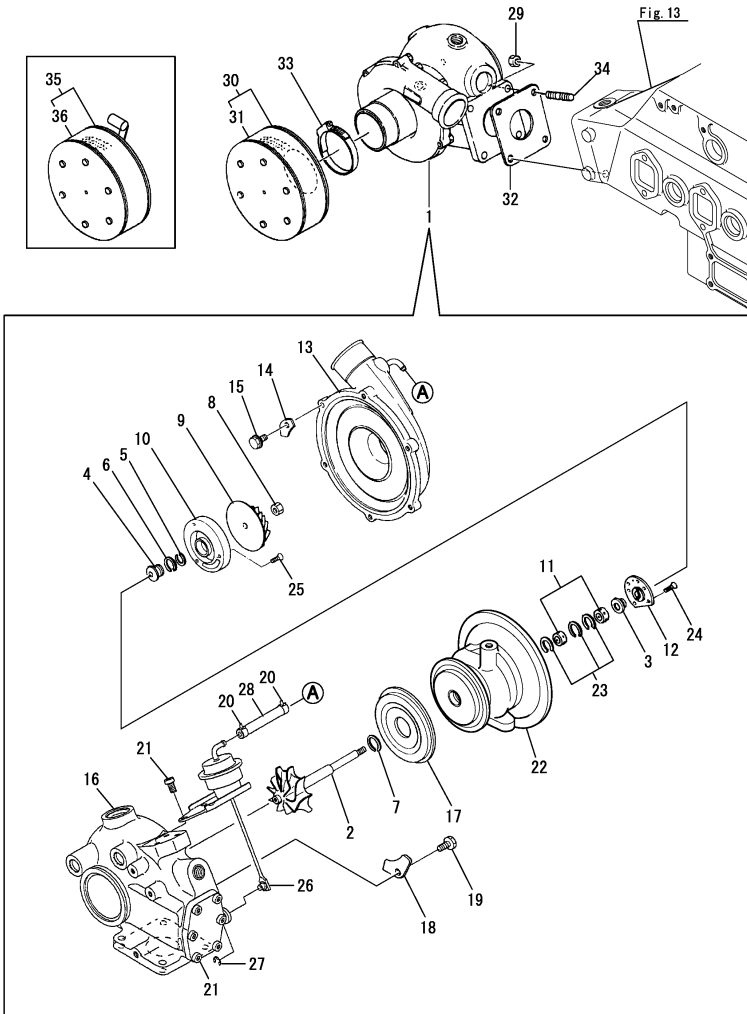


No.	Lev.	Parts No.	Description	Q'ty						I	R
				(A)	(B)	(C)	(D)	(E)	(F)		
1	1	119175-18030	TURBINE ASSY	1	1						
1-1	1	119175-18031	TURBINE ASSY	1	1						N
		(A=E50625) (B=EA0461)									
2	2	XNH261301D	TURBIN SHAFT ASSY	1	1						
3	2	XNH261112	BUSH	1	1						Z
		(A=E50625) (B=EA0461)									
3-1	2	XNH261081	BUSH	1	1						W
		(A=E50625) (B=EA0461)									
4	2	XNH261103	OIL THROWER	1	1						Z
		(A=E50625) (B=EA0461)									
4-1	2	XNH261082	COVER	1	1						W
		(A=E50625) (B=EA0461)									
5	2	XNN131576	RING, SEAL	1	1						
6	2	XNN171006	SEAL RING	1	1						
7	2	XNN971007	SEAL RING	1	1						
8	2	XNH261107	NUT,SHAFT END	1	1						
9	2	XNH265520	IMPELLER,COMPRESSOR	1	1						
10	2	XNN193012	PLATE, SEAL	1	1						
11	2	XNH263501	METAL,FLOATING	2	2						
12	2	XNH263502	BEARING, THRUST	1	1						
13	2	XNH164718	HOUSING(COMPRESSOR)	1	1						
14	2	XNH164106	BRACKET	6	6						
15	2	XNH164105	BOLT M6	6	6						
16	2	XNH167595	HOUSING(TURBINE)	1	1						
17	2	XNH163329	INSULATOR, SILENCER	1	1						
18	2	XNN137423	RETAINER	5	5						
19	2	XNN137007	BOLT, M8	5	5						
20	2	XNN976562	CLAMP	2	2						
21	2	XNH362809	FLAT BOLT	6	6						
22	2	XNH163331	HOUSING, BEARING	1	1						
23	2	XNN977003	RETAINING RING	3	3						
24	2	XNB133206	SCREW	4	4						
25	2	XNH163006	SCREW M4	3	3						
26	2	XNH961640	ACTUATOR	1	1						
27	2	XJD532012	CIRCLIP	1	1						
28	2	XNH978919	BOOST HOSE	1	1						
29	1	127687-18910	CLIP, HOSE	1	1						
29-1	1	119574-18910	CLIP, HOSE	1	1						R
		(A=EXXXXX) (B=EXXXXX)									
30	1	26223-100252	STUD, M10X 25	4	4						
31	1	26703-100002	NUT, M10	4	4						
32	1	119195-18860	SILENCER	1	1						Z 1
		(A=*2002.03) (B=*2002.03)									
33	2	XN199611	FILTER, INLET	1	1						
33-1	2	119195-18880	FILTER, 58MM	1	1						R
		(A=FROM 1ST) (B=FROM 1ST)									
34	1	128300-13230	GASKET, SILENCER	1	1						
35	1	119175-18850	SILENCER	1	1						W
		(A=*2002.04) (B=*2002.04)									
36	2	119195-18880	FILTER, 58MM	1	1						

Remarks  
 (1)No longer applicable to 4LHA series (Mar 2002)  
 The compatible product is 119175-1885, but interchangeability is given when arranged/replaced at the same time as Fig. 11 119175-03100.

Fig.16. TURBOCHARGER(4LHA-DT(Z)E(P))

(A)=4LHA-STE(P) (D)=4LHA-DTZE(P)  
 (B)=4LHA-STZE(P) (E)=4LHA-HTE(P)  
 (C)=4LHA-DTE(P) (F)=4LHA-HTZE(P)



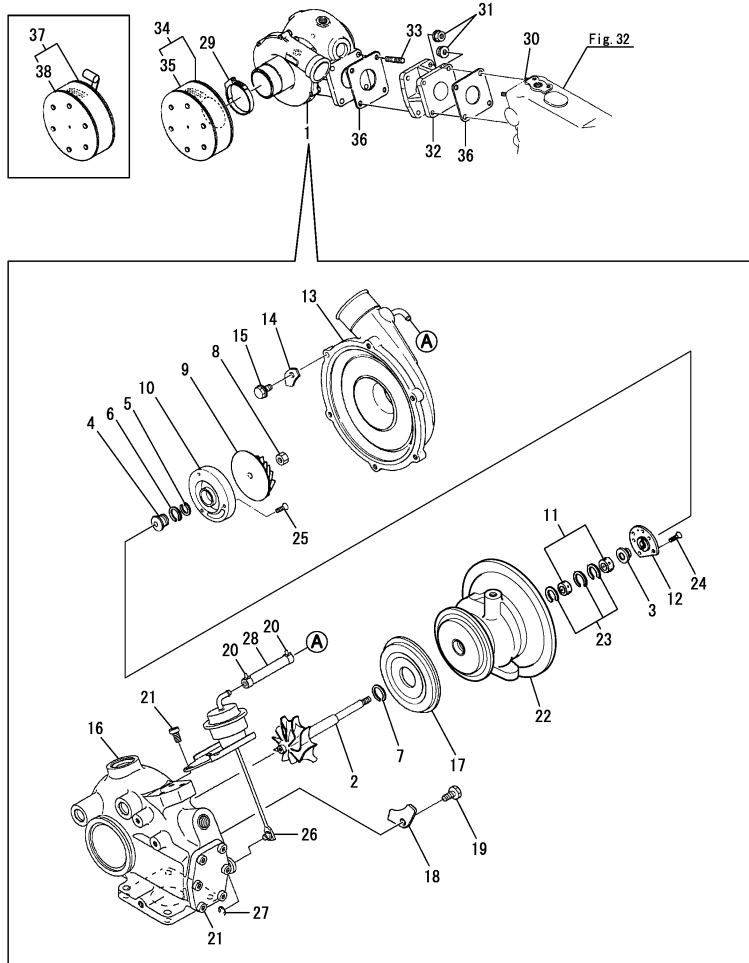
No.	Lev.	Parts No.	Description	Q'ty						I	R
				(A)	(B)	(C)	(D)	(E)	(F)		
1	1	119173-18041	TURBINE ASSY			1	1				
2	2	XNH261301D	TURBIN SHAFT ASSY			1	1				
3	2	XNH261081	BUSH			1	1				
4	2	XNH261082	COVER			1	1				
5	2	XNN131576	RING, SEAL			1	1				
6	2	XNN171006	SEAL RING			1	1				
7	2	XNN971007	SEAL RING			1	1				
8	2	XNH261107	NUT,SHAFT END			1	1				
9	2	XNH265520	IMPELLER,COMPRESSOR			1	1				
10	2	XNN193012	PLATE, SEAL			1	1				
11	2	XNH263501	METAL,FLOATING			2	2				
12	2	XNH263502	BEARING, THRUST			1	1				
13	2	XNH264962	HOUSING			1	1				
14	2	XNH164106	BRACKET			6	6				
15	2	XNH164105	BOLT M6			6	6				
16	2	XNH167596	HOUSING(TURBINE			1	1				
17	2	XNH163329	INSULATOR, SILENCER			1	1				
18	2	XNH137423	RETAINER			5	5				
19	2	XNN137007	BOLT, M8			5	5				
20	2	XNN976562	CLAMP			2	2				
21	2	XNH362809	FLAT BOLT			6	6				
22	2	XNH163331	HOUSING, BEARING			1	1				
23	2	XNN977003	RETAINING RING			3	3				
24	2	XNB133206	SCREW			4	4				
25	2	XNH163006	SCREW M4			3	3				
26	2	XNH961640	ACTUATOR			1	1				
27	2	XJD532012	CIRCLIP			1	1				
28	2	XNH978919	BOOST HOSE			1	1				
29	1	26703-100002	NUT, M10			4	4				
30	1	119195-18860	SILENCER			1	1				Z 1
			(C=*2002.03) (D=*2002.03)								
31	2	119195-18880	FILTER, 58MM			1	1				
32	1	128300-13230	GASKET, SILENCER			1	1				
33	1	127687-18910	CLIP, HOSE			1	1				
33-1	1	119574-18910	CLIP, HOSE			1	1				R
			(C=EXXXXX) (D=EXXXXX)								
34	1	26223-100252	STUD, M10X 25			4	4				
35	1	119175-18850	SILENCER			1	1				W
			(C=*2002.04) (D=*2002.04)								
36	2	119195-18880	FILTER, 58MM			1	1				

Remarks  
 (1)No longer applicable to 4LHA series (Mar 2002)  
 The compatible product is 119175-1885, but interchangeability is given when arranged/replaced at the same time as Fig. 11 119175-03100.



Fig.17. TURBOCHARGER(4LHA-HT(Z)E(P))

(A)=4LHA-STE(P) (D)=4LHA-DTZE(P)  
 (B)=4LHA-STZE(P) (E)=4LHA-HTE(P)  
 (C)=4LHA-DTE(P) (F)=4LHA-HTZE(P)

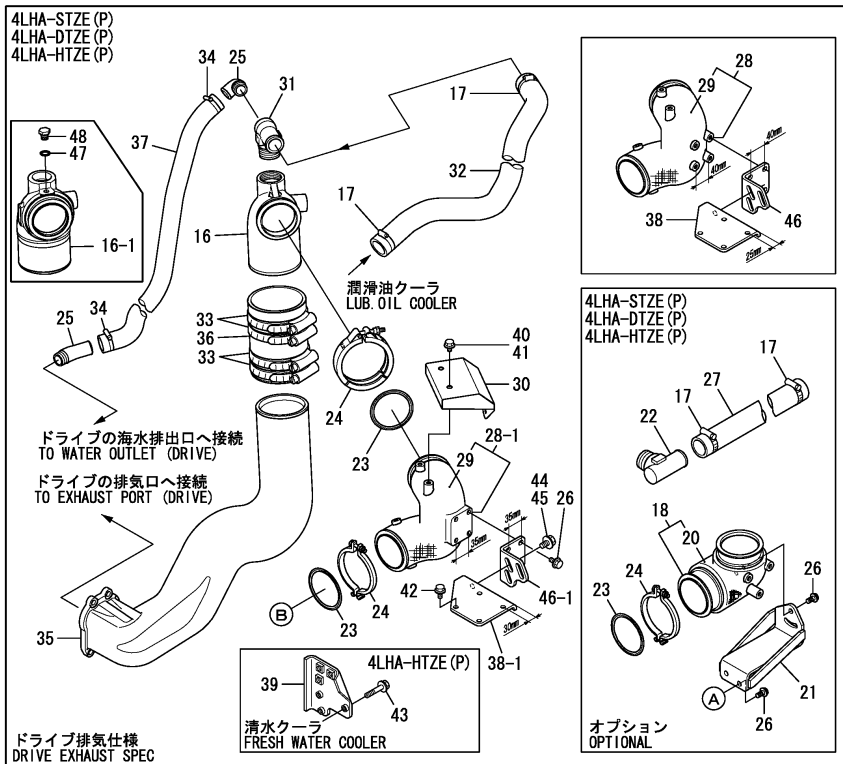
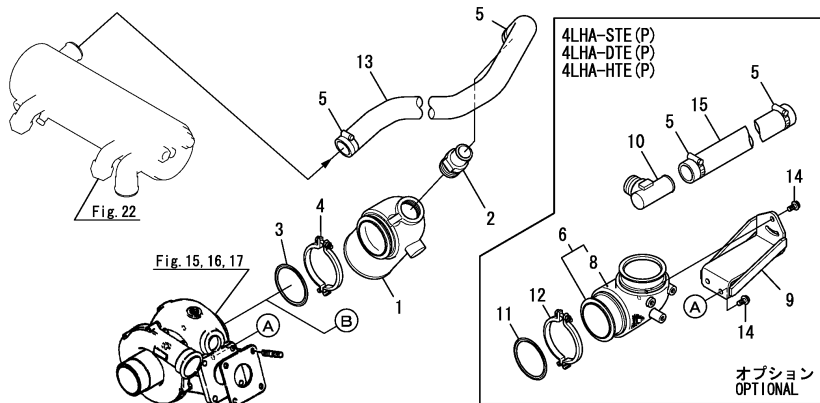


No.	Lev.	Parts No.	Description	Q'ty						I	R
				(A)	(B)	(C)	(D)	(E)	(F)		
1	1	119172-18030	TURBINE ASSY					1		1	
2	2	XNH261301D	TURBIN SHAFT ASSY					1		1	
3	2	XNH261081	BUSH					1		1	
4	2	XNH261082	COVER					1		1	
5	2	XNN131576	RING, SEAL					1		1	
6	2	XNN171006	SEAL RING					1		1	
7	2	XNN971007	SEAL RING					1		1	
8	2	XNH261107	NUT,SHAFT END					1		1	
9	2	XNH265520	IMPELLER,COMPRESSOR					1		1	
10	2	XNN193012	PLATE, SEAL					1		1	
11	2	XNH263501	METAL,FLOATING					2		2	
12	2	XNH263502	BEARING, THRUST					1		1	
13	2	XNH264962	HOUSING					1		1	
14	2	XNH164106	BRACKET					6		6	
15	2	XNH164105	BOLT M6					6		6	
16	2	XNH167599	HOUSING(TURBINE					1		1	
17	2	XNH163329	INSULATOR, SILENCER					1		1	
18	2	XNH137423	RETAINER					5		5	
19	2	XNH137007	BOLT					5		5	
20	2	XNN976562	CLAMP					2		2	
21	2	XNH362809	FLAT BOLT					6		6	
22	2	XNH163331	HOUSING, BEARING					1		1	
23	2	XNN977003	RETAINING RING					3		3	
24	2	XNB133206	SCREW					4		4	
25	2	XNH163006	SCREW M4					3		3	
26	2	XNH961640	ACTUATOR					1		1	
27	2	XJD532012	CIRCLIP					1		1	
28	2	XNH978919	BOOST HOSE					1		1	
29	1	127687-18910	CLIP, HOSE					1		1	
29-1	1	119574-18910	CLIP, HOSE					1		1	R
						(E=EXXXXX)				(F=EXXXXX)	
30	1	26223-100252	STUD, M10X 25					4		4	
31	1	26703-100002	NUT, M10					8		8	
32	1	119172-18060	BRACKET					1		1	
33	1	26213-100252	STUD, M10X 25					4		4	
34	1	119195-18860	SILENCER					1		1	Z 1
						(E=*2002.03)				(F=*2002.03)	
35	2	119195-18880	FILTER, 58MM					1		1	
36	1	128300-13230	GASKET, SILENCER					2		2	
37	1	119175-18850	SILENCER					1		1	W
						(E=*2002.04)				(F=*2002.04)	
38	2	119195-18880	FILTER, 58MM					1		1	

Remarks  
 (1)No longer applicable to 4LHA series (Mar 2002)  
 The compatible product is 119175-1885, but interchangeability is given when arranged/replaced at the same time as Fig. 11 119175-03100.

# Fig.18. MIXING ELBOW & EXHAUST BEND

(A)=4LHA-STE(P)  
 (B)=4LHA-STZE(P)  
 (C)=4LHA-DTE(P)  
 (D)=4LHA-DTZE(P)  
 (E)=4LHA-HTE(P)  
 (F)=4LHA-HTZE(P)

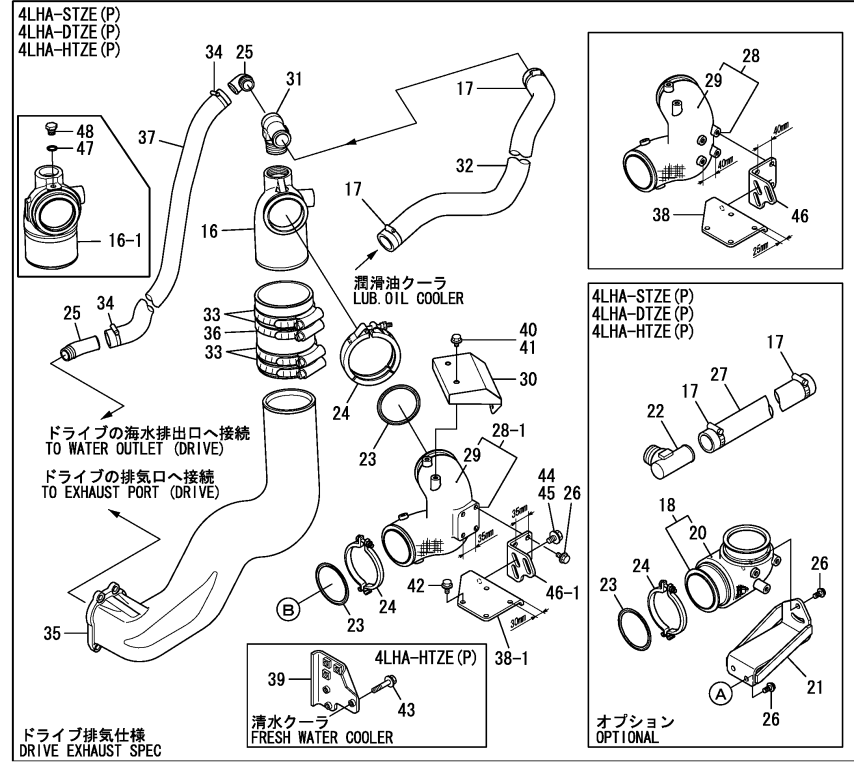
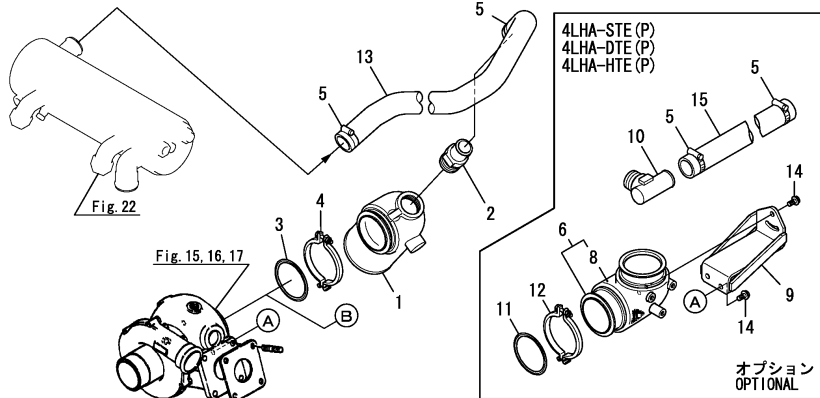


No.	Lev.	Parts No.	Description	Q'ty						I	R
				(A)	(B)	(C)	(D)	(E)	(F)		
1	1	119773-13500	ELBOW	1	1	1		1			
1-1	1	119773-13500 (B=EA0461)	ELBOW		1						Z 1
2	1	119175-48600	JOINT	1							
2-1	1	119175-48630 (A=E51645)	JOINT	1		1		1			R
2A	1	119175-48600 (B=EA0461)	JOINT		1						Z
3	1	119773-13250	GASKET	1		1		1			
4	1	119773-13300	CLAMP	1		1		1			
5	1	23000-048000	CLAMP, 48	2		2		2			
6	1	119175-13200	BEND ASSY	1		1		1			1
8	2	119175-13220	INSULATOR	1		1		1			1
9	1	119175-13250	BRACKET	1							1
9-1	1	119175-13260 (A=E51645)	BRACKET, BEND	1		1		1			R 1
9-2	1	119175-13250 (A=EXXXXX) (C=EXXXXX) (E=EXXXXX)	BRACKET	1		1			1		R 1
10	1	119175-48620	JOINT	1							1
10-1	1	119175-48650 (A=E51645)	JOINT, MIXING	1		1		1			R 1
11	1	119773-13250	GASKET	1		1		1			1
12	1	119773-13300	CLAMP	1		1		1			1
13	1	119175-49010	HOSE, MIXING	1		1		1			
13A	1	119175-49020	HOSE, MIXING		1						
13A-1	1	119175-49020 (B=EA0461)	HOSE, MIXING		1						Z
14	1	26106-080162	BOLT, M8X 16 PLATED	4		4		4			
15	1	119175-49020	HOSE, MIXING	1		1		1			
16	1	119773-13500	ELBOW		1		1	1			
16-1	1	119773-13501 (B=EXXXXX) (D=EXXXXX) (F=EXXXXX)	ELBOW		1		1	1			R
17	1	23000-048000	CLAMP, 48		2		2	2			
17-1	1	119172-48410 (B=EXXXXX) (D=EXXXXX) (F=EXXXXX)	CLIP, HOSE 41		2		2	2			R
18	1	119175-13200	BEND ASSY	1		1		1			
20	2	119175-13220	INSULATOR	1		1		1			
21	1	119175-13260	BRACKET, BEND	1		1		1			
21-1	1	119175-13250 (B=EXXXXX) (D=EXXXXX) (F=EXXXXX)	BRACKET	1		1		1			R
22	1	119175-48650	JOINT, MIXING	1		1		1			
23	1	119773-13250	GASKET	2		2		2			
24	1	119773-13300	CLAMP	2		2		2			
25	1	119175-49520 (B=EA0461)	JOINT	2							W
25-1	1	119175-49550 (B=*2001.09)	JOINT	2		2		2			R
26	1	26106-080162	BOLT, M8X 16 PLATED	4		4		4			
27	1	119173-49020	HOSE, MIXING	1		1		1			
28	1	119175-13300 (B=EA0461)	BEND ASSY	1							W

Remarks  
 (1)Optional.  
 (2)Interchangeable by simultaneous replacement with Ref.No.38-1,46-1.

# Fig.18. MIXING ELBOW & EXHAUST BEND

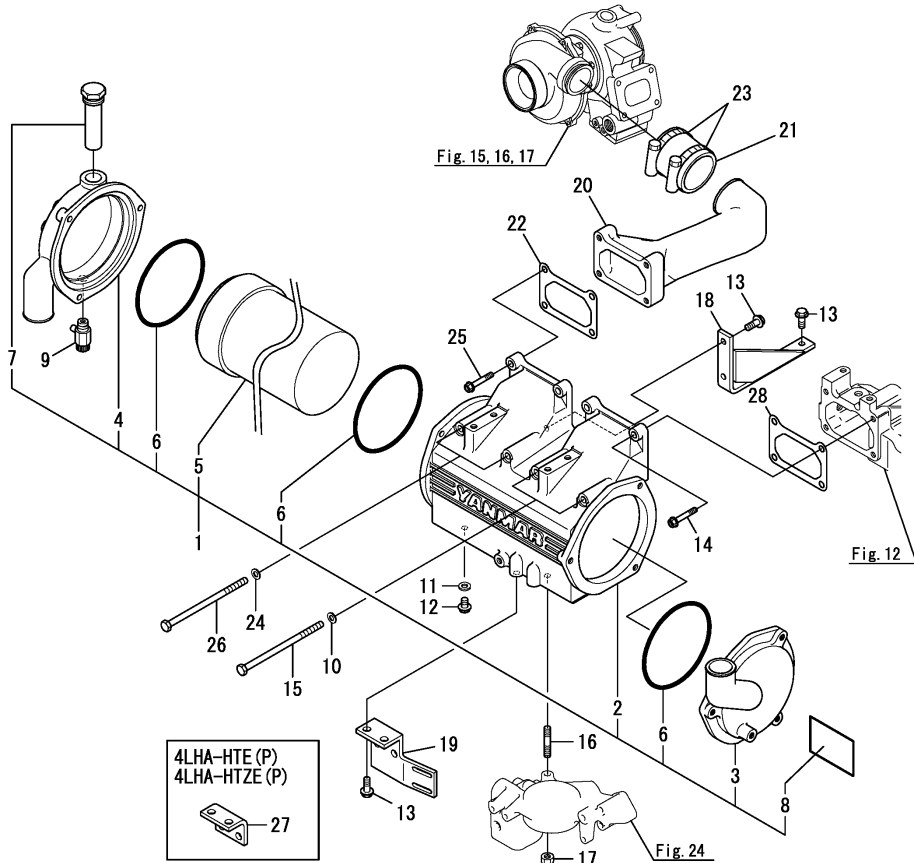
(A)=4LHA-STE(P)  
 (B)=4LHA-STZE(P)  
 (C)=4LHA-DTE(P)  
 (D)=4LHA-DTZE(P)  
 (E)=4LHA-HTE(P)  
 (F)=4LHA-HTZE(P)



No.	Lev.	Parts No.	Description	Q'ty						I	R
				(A)	(B)	(C)	(D)	(E)	(F)		
28-1	1	119175-13301	BEND ASSY (B=EA0461)	1	1		1			F	2
29	2	119175-13320	INSULATOR (B=EA0461)	1			1			1	W
30	1	119175-13700	COVER (B=EA0461)	1			1			1	W
31	1	119175-48640	JOINT (B=EA0461)	1							W
31-1	1	119175-48660	JOINT, MIXING (B=EA0836)	1			1			1	R
32	1	119175-49500	JOINT, RUBBER (B=EA0461)	1							W
32-1	1	119175-49530	JOINT, RUBBER (B=EA0836)	1			1			1	R
33	1	23000-127000	CLAMP, 127 (B=EA0461)	4			4			4	W
33-1	1	119172-48010	CLIP, HOSE 127 (B=EXXXXX)	4			4			4	N
34	1	23000-035000	CLAMP, 35 (B=EA0461)	2			2			2	W
34-1	1	119172-48350	CLIP, HOSE 35 (B=EXXXXX)	2			2			2	N
35	1	119175-13620	PIPE, EXHAUST (B=EA0461)	1			1			1	W
36	1	119175-13800	JOINT (B=EA0461)	1			1			1	W
37	1	119175-49510	JOINT, RUBBER (B=EA0461)	1							W
37-1	1	119175-49540	JOINT, RUBBER (B=*2001.04)	1			1			1	R
38	1	119175-13510	BRACKET, BEND (B=EA0461)	1							W
38-1	1	119175-13511	BRACKET, BEND (B=EA0463)	1			1				S
39	1	119172-13520	BRACKET, BEND								1
40	1	26106-080102	BOLT, M8X 10 PLATED (B=EA0461)	3			3				W
41	1	26106-080122	BOLT, M8X 12 PLATED								3
42	1	26106-080202	BOLT, M8X 20 PLATED	4			4				
43	1	26106-080252	BOLT, M8X 25 PLATED								4
44	1	26106-100202	BOLT, M10X 20 PLATED (B=EA0461)	3			3				W
45	1	26106-100162	BOLT, M10X 16 PLATED								3
46	1	119175-13520	BRACKET, BEND (B=EA0461)	1							W
46-1	1	119175-13521	BRACKET, BEND (B=EA0461)	1			1			1	S
47	1	23414-130000	GASKET, 13X1.0 (B=EXXXXX)	1			1			1	W
48	1	23893-020002	PLUG, G1/4 (B=EXXXXX)	1			1			1	W

Remarks  
 (1)Optional.  
 (2)Interchangeable by simultaneous replacement with Ref.No.38-1,46-1.

# Fig.19. AIR COOLER



(A)=4LHA-STE(P)  
 (B)=4LHA-STZE(P)  
 (C)=4LHA-DTE(P)  
 (D)=4LHA-DTZE(P)  
 (E)=4LHA-HTE(P)  
 (F)=4LHA-HTZE(P)

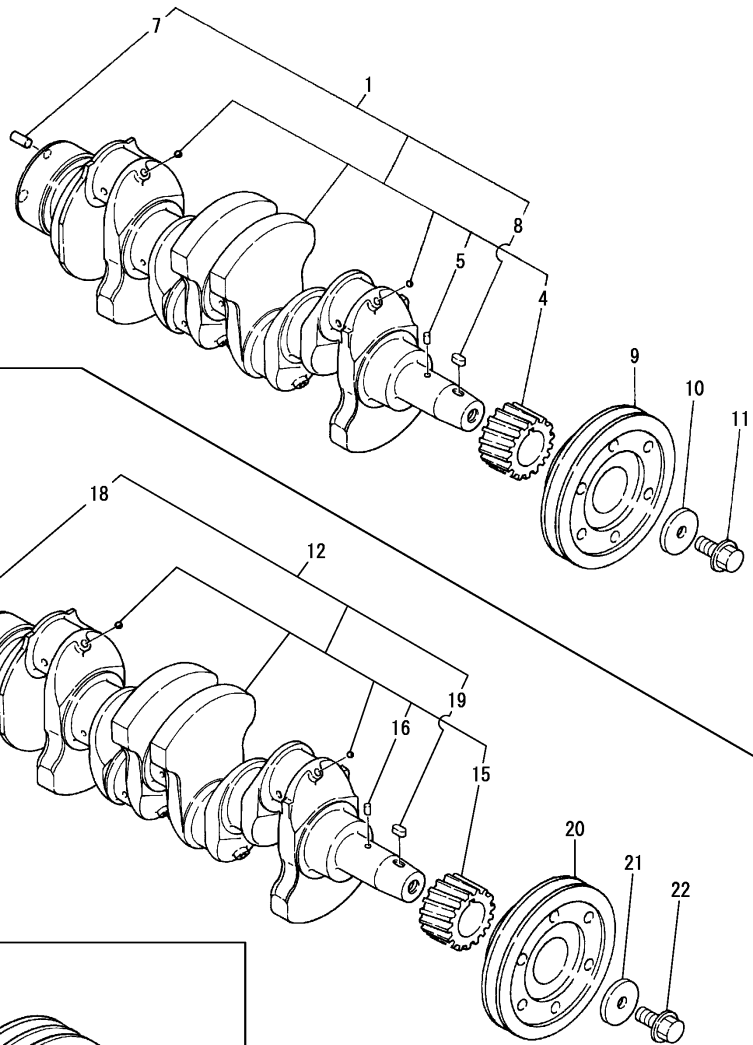
No.	Lev.	Parts No.	Description	Q'ty						I	R
				(A)	(B)	(C)	(D)	(E)	(F)		
1	1	119175-18100	COOLER ASSY, INTER	1	1	1	1	1	1		
2	2	119175-18110	CASE	1	1	1	1	1	1		
3	2	119175-18120	BOX, WATER	1	1	1	1	1	1		
4	2	119175-18130	BOX, WATER	1	1	1	1	1	1		
5	2	119175-18140	TUBE STACK	1	1	1	1	1	1		
6	2	119773-18350	O-RING	3	3	3	3	3	3		
7	2	119574-18790	ZINC, ANTI-CORROSIVE	1	1	1	1	1	1		
8	2	119175-18160	LABEL	1	1	1	1	1	1		W
(A=E50959) (B=EA0611)											
9	1	120130-49350	COCK, 1/4	1	1						
9-1	1	119620-49290	COCK ASSY, 1/4	1	1	1	1	1	1		N
(A=E51115) (B=EA0634)											
10	1	22137-080000	WASHER, 8	2	2	2	2	2	2		
11	1	23414-080000	GASKET, 8X1.0	1	1	1	1	1	1		
12	1	26106-080122	BOLT, M8X 12 PLATED	1	1	1	1	1	1		
13	1	26106-080202	BOLT, M8X 20 PLATED	8	8	8	8	8	8		
14	1	26106-080302	BOLT, M8X 30 PLATED	2	2	2	2	2	2		
15	1	26116-081252	BOLT, M8X125 PLATED	2	2	2	2	2	2		
16	1	26216-080452	STUD, M8X 45	1	1						
16-1	1	26226-080452	STUD, M8X 45	1	1	1	1	1	1		N
(A=E50507) (B=EA0421)											
17	1	26306-080002	NUT, M8	1	1	1	1	1	1		
18	1	119175-18520	SUPPORT	1	1	1	1	1	1		
19	1	119175-18530	SUPPORT	1	1						
19-1	1	119175-18550	SUPPORT	1	1	1	1				R
(A=E52121) (B=*2001.06)											
19-2	1	119175-18530	SUPPORT	1	1	1	1				R
(A=EXXXXX) (B=EXXXXX) (C=EXXXXX) (D=EXXXXX)											
20	1	119175-18150	DUCT, AIR	1	1	1	1	1	1		
20-1	1	119173-18150	DUCT, AIR	1	1	1	1	1	1		R
(A=EXXXXX) (B=EXXXXX) (C=EXXXXX) (D=EXXXXX) (E=EXXXXX) (F=EXXXXX)											
21	1	119175-18250	HOSE, AIR DUCT	1	1	1	1	1	1		
22	1	119175-18590	GASKET, COOLER	1	1	1	1	1	1		
23	1	127488-18910	CLIP, HOSE	2	2	2	2	2	2		
24	1	22137-080000	WASHER, 8	2	2	2	2	2	2		
25	1	26106-080302	BOLT, M8X 30 PLATED	2	2	2	2	2	2		
26	1	26116-081252	BOLT, M8X125 PLATED	2	2	2	2	2	2		
27	1	119172-18570	SUPPORT							1	1
27-1	1	119172-18560	SUPPORT							1	1
(E=EXXXXX) (F=EXXXXX)											
28	1	119175-18590	GASKET, COOLER	1	1	1	1	1	1		

Fig.20. CRANKSHAFT

4LHA-STE(P)  
 4LHA-STZE(P)  
 4LHA-DTE(P)  
 4LHA-DTZE(P)

4LHA-HTE(P)  
 4LHA-HTZE(P)

4LHA-STE(P)  
 4LHA-DTE(P)  
 4LHA-HTE(P)  
 オプション  
 OPTIONAL

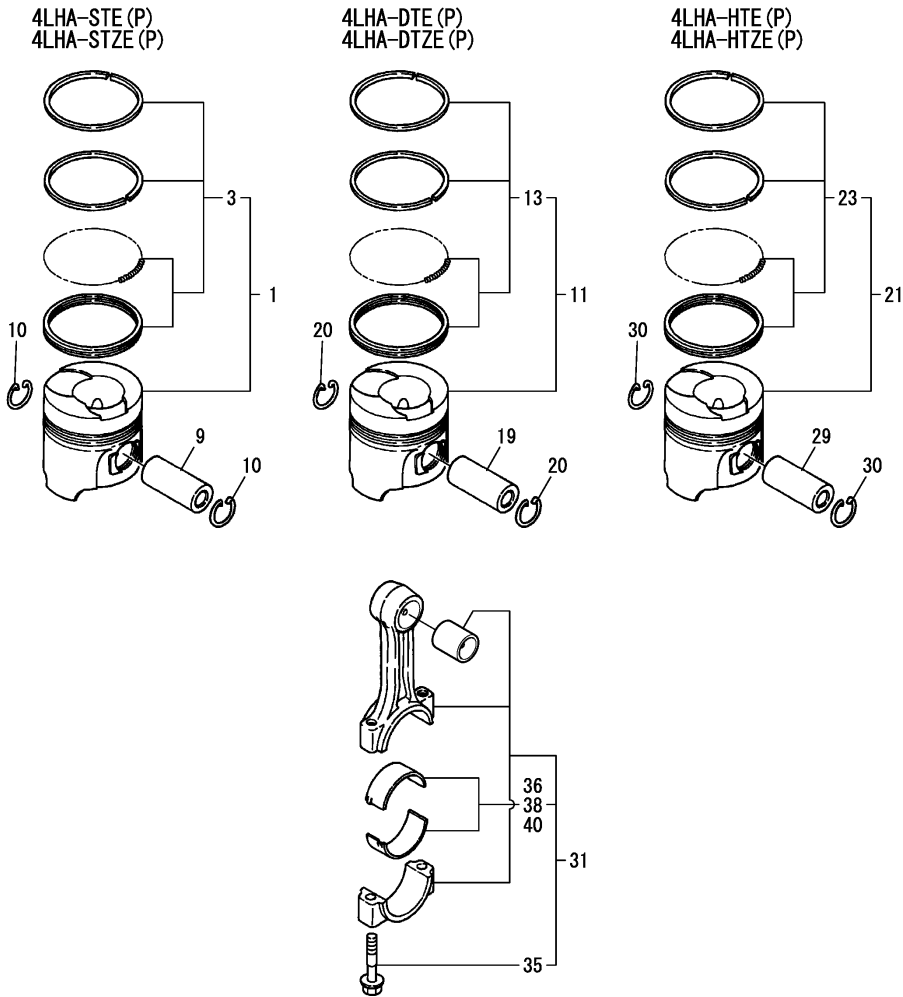


(A)=4LHA-STE(P)  
 (B)=4LHA-STZE(P)  
 (C)=4LHA-DTE(P)

(D)=4LHA-DTZE(P)  
 (E)=4LHA-HTE(P)  
 (F)=4LHA-HTZE(P)

No.	Lev.	Parts No.	Description	Q'ty						I	R
				(A)	(B)	(C)	(D)	(E)	(F)		
1	1	719184-21700	CRANKSHAFT ASSY	1	1	1	1				
4	3	121850-21200	GEAR, CRANKSHAFT	1	1	1	1				
5	3	121850-21290	PIN	1	1	1	1				
7	2	121850-21920	PIN, M10X22	1	1	1	1				
8	2	22512-070140	KEY, 7X 14	1	1	1	1				
9	1	119000-21650	V-PULLEY	1	1	1	1				
10	1	121850-21660	WASHER	1	1	1	1				
11	1	121850-21680	BOLT	1	1	1	1				
12	1	719171-21701	CRANKSHAFT ASSY							1	1
15	3	121850-21200	GEAR, CRANKSHAFT							1	1
16	3	121850-21290	PIN							1	1
18	2	121850-21920	PIN, M10X22							1	1
19	2	22512-070140	KEY, 7X 14							1	1
20	1	119000-21650	V-PULLEY							1	1
21	1	121850-21660	WASHER							1	1
22	1	121850-21680	BOLT							1	1
23	1	119171-21650	V-PULLEY, D=180A-2	1		1				1	
24	1	26106-100302	BOLT, M10X 30 PLATED	6		6				6	

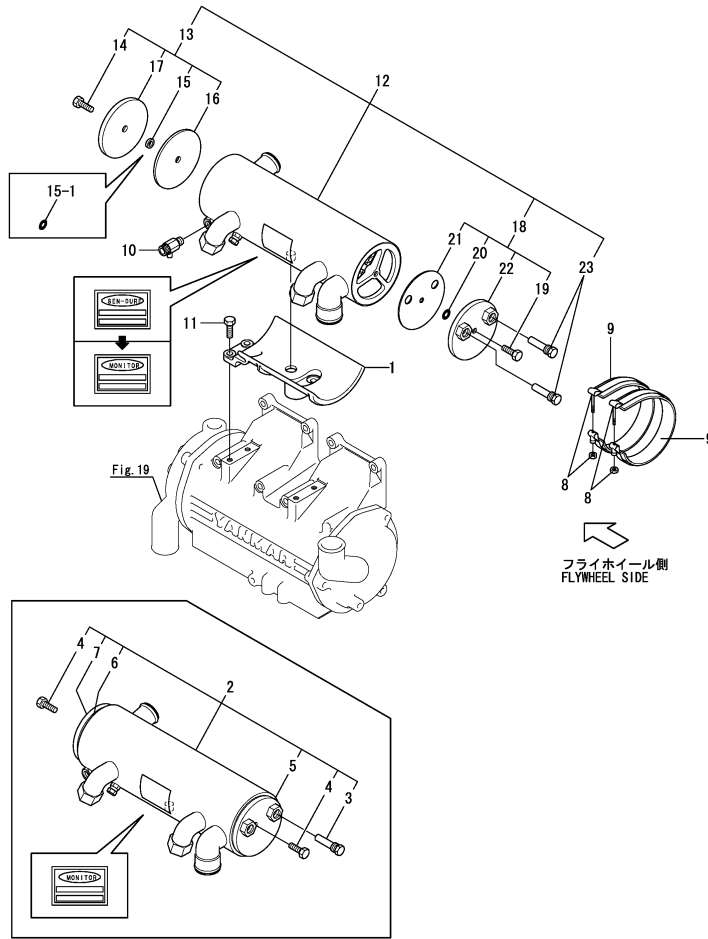
Fig.21. PISTON & CONNECTING ROD



(A)=4LHA-STE(P) (D)=4LHA-DTZE(P)  
 (B)=4LHA-STZE(P) (E)=4LHA-HTE(P)  
 (C)=4LHA-DTE(P) (F)=4LHA-HTZE(P)

No.	Lev.	Parts No.	Description	Q'ty						I	R
				(A)	(B)	(C)	(D)	(E)	(F)		
1	1	119181-22080	PISTON ASSY	4	4						
1-1	1	119181-22081	PISTON ASSY	4	4						N
				(A=E51702)	(B=EA0860)						
3	2	719187-22502	RING SET, PISTON	4	4						
9	1	119173-22300	PIN, PISTON	4	4						
10	1	22252-000370	RING, 37	8	8						
11	1	119173-22051	PISTON ASSY			4	4				
13	2	719187-22502	RING SET, PISTON			4	4				
19	1	119173-22300	PIN, PISTON			4	4				
20	1	22252-000370	RING, 37			8	8				
21	1	119172-22100	PISTON ASSY					4	4		
23	2	719187-22502	RING SET, PISTON					4	4		
29	1	119173-22300	PIN, PISTON					4	4		
30	1	22252-000370	RING, 37					8	8		
31	1	719174-23100	ROD ASSY, CONNECTING	4	4	4	4	4	4	4	4
35	2	121850-23200	BOLT, CONNECTING ROD	8	8	8	8	8	8	8	8
36	2	719174-23600	BEARING, CRANK PIN	4	4	4	4	4	4	4	4
36-1	2	719174-23601	CRANK-PIN METAL	4	4	4	4	4	4	4	R
				(A=EXXXXX)	(B=EXXXXX)	(C=EXXXXX)	(D=EXXXXX)	(E=EXXXXX)	(F=EXXXXX)		
38	1	719172-23610	METAL ASSY, 0.25							4	4
40	1	119172-23310	METAL ASSY, 0.50							4	4

Fig.22. LUB.OIL COOLER



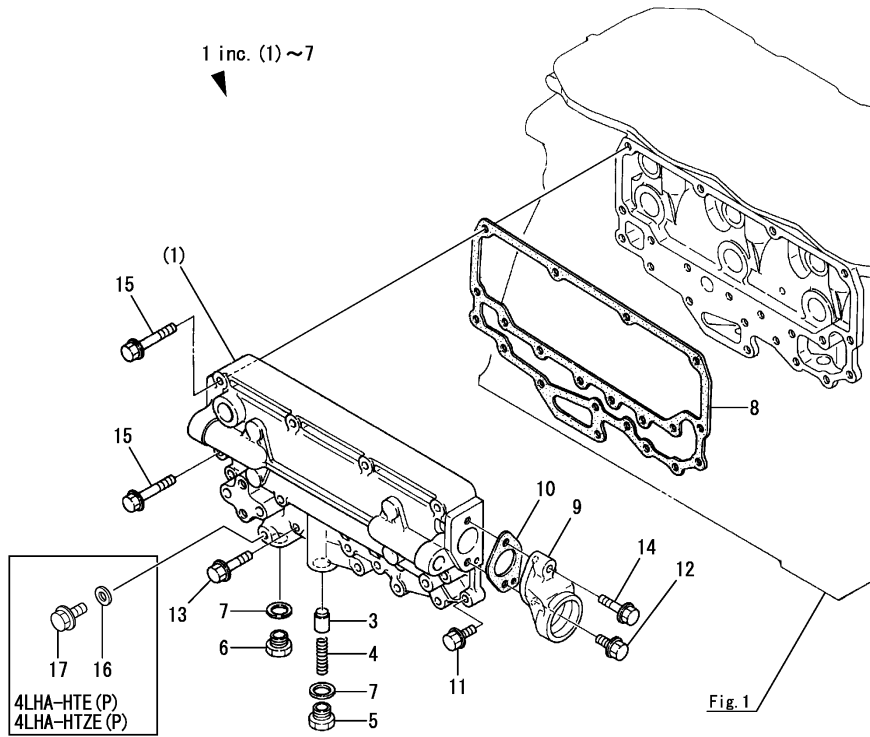
(A)=4LHA-STE(P) (D)=4LHA-DTZE(P)  
 (B)=4LHA-STZE(P) (E)=4LHA-HTE(P)  
 (C)=4LHA-DTE(P) (F)=4LHA-HTZE(P)

No.	Lev.	Parts No.	Description	Q'ty						I	R
				(A)	(B)	(C)	(D)	(E)	(F)		
1	1	119175-33150	BRACKET	1	1	1	1	1	1		
1-1	1	119173-33160	BRACKET	1	1	1	1	1	1		R
		(A=EXXXXX) (B=EXXXXX) (C=EXXXXX) (D=EXXXXX)		(E=EXXXXX)				(F=EXXXXX)			
2	1	119175-33200	COOLER ASSY, OIL	1	1	1	1	1	1		4
3	2	119574-44150	ZINC, ANTI-CORROSIVE	2	2	2	2	2	2		
4	2	119574-44180	BOLT, UNC 3/8	2	2	2	2	2	2		1
5	2	119175-33080	GASKET	1	1	1	1	1	1		2
6	2	119773-33080	GASKET	1	1	1	1	1	1		3
7	2	119773-33060	COVER ASSY	1	1	1	1	1	1		3
8	1	119775-33200	CLAMP, BOLT	2	2						
8-1	1	119175-44200	CLAMP, BOLT	2	2	2	2	2	2		N
		(A=E50625) (B=EA0461)									
9	1	119775-33620	SEAT, RUBBER	2	2	2	2	2	2		
10	1	120130-49350	COCK, 1/4	1	1						
10-1	1	119620-49290	COCK ASSY, 1/4	1	1	1	1	1	1		N
		(A=E51115) (B=EA0634)									
11	1	26106-080252	BOLT, M8X 25 PLATED	4	4	4	4	4	4		
12	1	119175-33200	COOLER ASSY, OIL	1	1	1	1	1	1		4
13	2	119175-33320	COVER KIT	1	1	1	1	1	1		W
		(A=*2007.04) (B=*2007.04) (C=*2007.04) (D=*2007.04)		(E=*2007.04)				(F=*2007.04)			
14	3	119175-33330	BOLT, UNC 3/8-16X5/8	1	1	1	1	1	1		
15	3	119175-33360	GASKET	1	1	1	1	1	1		
15-1	3	119175-33350	O-RING	1	1	1	1	1	1		R
		(A=EXXXXX) (B=EXXXXX) (C=EXXXXX) (D=EXXXXX)		(E=EXXXXX)				(F=EXXXXX)			
16	3	119175-33370	GASKET, 4 INCH	1	1	1	1	1	1		
17	3	119175-33390	COVER	1	1	1	1	1	1		
18	2	119175-33310	COVER KIT	1	1	1	1	1	1		W
		(A=*2007.04) (B=*2007.04) (C=*2007.04) (D=*2007.04)		(E=*2007.04)				(F=*2007.04)			
19	3	119175-33340	BOLT, UNC 3/8-16X3/4	1	1	1	1	1	1		
20	3	119175-33350	O-RING	1	1	1	1	1	1		
21	3	119175-33380	GASKET, 4 INCH	1	1	1	1	1	1		
22	3	119175-33400	COVER	1	1	1	1	1	1		
23	2	119574-44150	ZINC, ANTI-CORROSIVE	2	2	2	2	2	2		

Remarks

(1)There are a KIT and interchangeability of No.13 or No.18.(Not interchangeable single part.) (2)There are a KIT and interchangeability of No.18.(Not interchangeable single part.) (3)There are a KIT and interchangeability of No.13.(Not interchangeable single part.) (4)Manufacturer change. MONITOR INC.(No.2)->SEN-DURE INC.(No.12)->MONITOR INC.(No.12). part number doesn't have the change.

Fig.23. LUB.OIL COOLER HOUSING

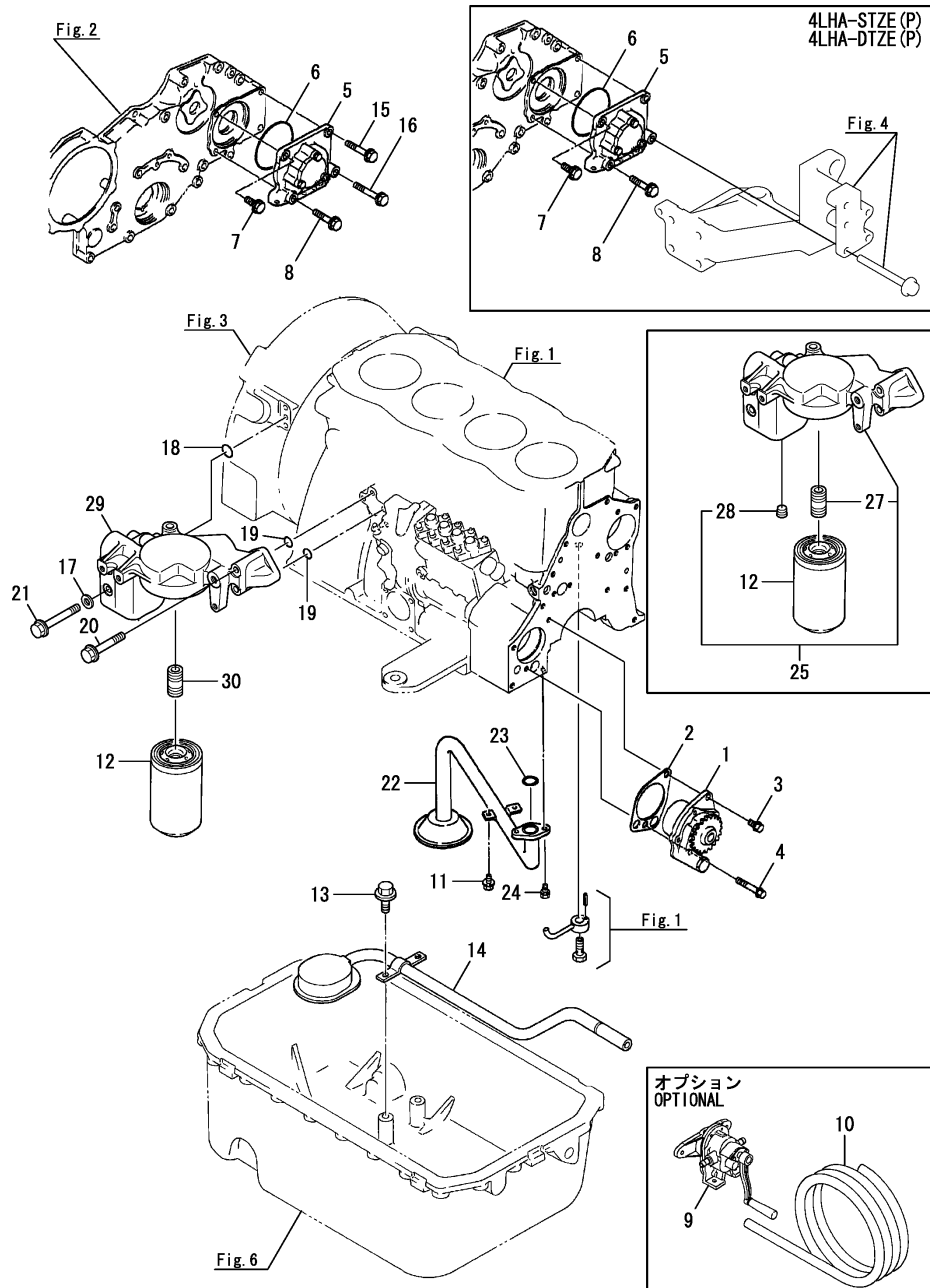


(A)=4LHA-STE(P)  
 (B)=4LHA-STZE(P)  
 (C)=4LHA-DTE(P)  
 (D)=4LHA-DTZE(P)  
 (E)=4LHA-HTE(P)  
 (F)=4LHA-HTZE(P)

No.	Lev.	Parts No.	Description	Q'ty						I	R
				(A)	(B)	(C)	(D)	(E)	(F)		
1	1	719171-33100	CASE ASSY, COOLER	1	1	1	1	1	1		
3	2	119000-34030	VALVE, CONTROL	1	1	1	1	1	1		
4	2	124411-35520	SPRING	1	1	1	1	1	1		
5	2	123672-84530	RETAINER, VALVE	1	1	1	1	1	1		
6	2	123672-84530	RETAINER, VALVE	1	1	1	1	1	1		
7	2	23414-180000	GASKET, 18X1.0	2	2	2	2	2	2		
8	1	119000-33022	GASKET	1	1	1	1	1	1		
9	1	119000-33030	BEND	1	1	1	1	1	1		
10	1	119000-33041	GASKET	1	1	1	1	1	1		
11	1	26106-080202	BOLT, M8X 20 PLATED	3	3	3	3	3	3		
12	1	26106-080202	BOLT, M8X 20 PLATED	1	1	1	1	1	1		
13	1	26106-080352	BOLT, M8X 35 PLATED	8	8	8	8	8	8		
14	1	26106-080352	BOLT, M8X 35 PLATED	1	1	1	1	1	1		
15	1	26106-080502	BOLT, M8X 50 PLATED	10	10	10	10	10	10		
16	1	23414-080000	GASKET, 8X1.0					1	1		
17	1	26106-080122	BOLT, M8X 12 PLATED					1	1		



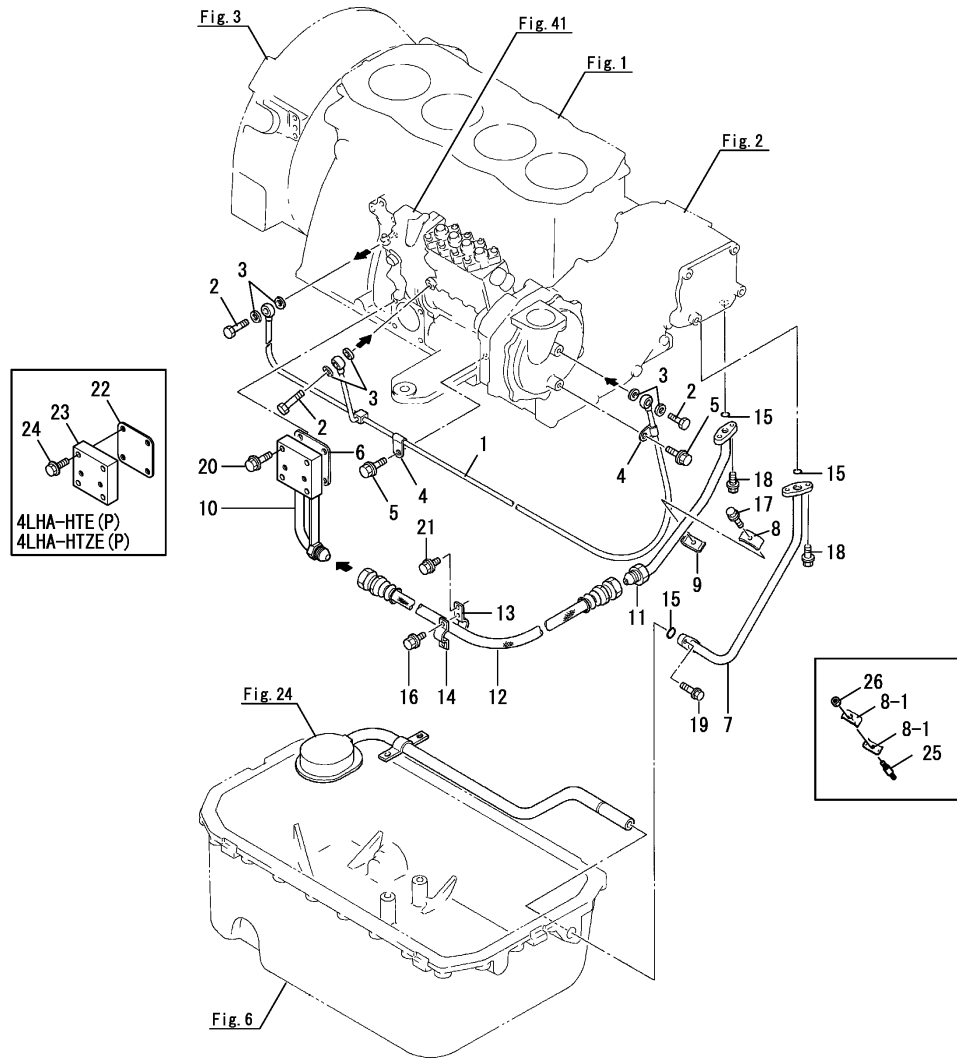
Fig.24. LUB.OIL SYSTEM



(A)=4LHA-STE(P)  
 (B)=4LHA-STZE(P)  
 (C)=4LHA-DTE(P)  
 (D)=4LHA-DTZE(P)  
 (E)=4LHA-HTZE(P)  
 (F)=4LHA-HTZE(P)

No.	Lev.	Parts No.	Description	Qty						I	R
				(A)	(B)	(C)	(D)	(E)	(F)		
1	1	119000-32001	PUMP ASSY, OIL	1	1	1	1	1	1		
2	1	119000-32020	GASKET, PUMP	1	1	1	1	1	1		
3	1	26106-080162	BOLT, M8X 16 PLATED	1	1	1	1	1	1		
4	1	26106-080502	BOLT, M8X 50 PLATED	1	1	1	1	1	1		
5	1	119187-32000	PUMP ASSY, OIL	1	1	1	1				
6	1	24341-000800	O-RING, 1AS80.0	1	1	1	1				
7	1	26106-080252	BOLT, M8X 25 PLATED	1	1	1	1				
8	1	26106-080452	BOLT, M8X 45 PLATED	1	1	1	1				
9	1	124413-39100	PUMP ASSY, WASTE	1	1	1	1	1	1		
10	1	43720-001220	PIPE	1	1	1	1	1	1		
10-1	1	120130-39990	HOSE,OIL DRAIN 3M	1	1	1	1	1	1	1	N
		(A=EXXXXX) (B=EXXXXX) (C=EXXXXX) (D=EXXXXX) (E=EXXXXX) (F=EXXXXX)									
11	1	26106-080162	BOLT, M8X 16 PLATED	2	2	2	2	2	2		
12	1	127695-35150	FILTER, OIL	1	1	1	1	1	1		
13	1	26106-060122	BOLT, M6X 12 PLATED	2	2	2	2				
14	1	119187-35100	PIPE ASSY, OIL INLET	1	1	1	1				
15	1	26106-080552	BOLT, M8X 55 PLATED	1	1						
16	1	26106-080702	BOLT, M8X 70 PLATED	1	1						
17	1	22137-080000	WASHER, 8	2	2	2	2	2	2		
18	1	24311-000120	O-RING, 1AP12.0	1	1	1	1	1	1		
19	1	24311-000180	O-RING, 1AP18.0	2	2	2	2	2	2		
20	1	26106-081102	BOLT, M8X110 PLATED	2	2	2	2	2	2		
21	1	26106-081152	BOLT, M8X115 PLATED	2	2	2	2	2	2		
22	1	119100-35090	PIPE ASSY, OIL INLET	1	1	1	1	1	1		
23	1	24311-000220	O-RING, 1AP22.0	1	1	1	1	1	1		
24	1	26013-080162	BOLT, M8X 16	2	2	2	2	2	2		
25	1	119175-35200	BRACKET	1	1						Z
		(A=E51645) (B=EA0836)									
27	2	119175-35180	BRACKET	1	1						Z
		(A=E51645) (B=EA0836)									
28	2	23871-030000	PLUG, R03	2	2						
28-1	2	23876-030000	PLUG, R03	2	2						N
		(A=E50582) (B=EA0421)									
28-2	2	23876-030000	PLUG, R03	2	2						Z
		(A=E51645) (B=EA0836)									
29	1	119175-35150	BRACKET	1	1	1	1	1	1	1	W
		(A=E51645) (B=EA0836)									
29-1	1	119175-35170	BRACKET	1	1	1	1	1	1	1	R
		(A=EXXXXX) (B=EXXXXX) (C=EXXXXX) (D=EXXXXX) (E=EXXXXX) (F=EXXXXX)									
30	1	119175-35180	BRACKET	1	1	1	1	1	1	1	W
		(A=E51645) (B=EA0836)									

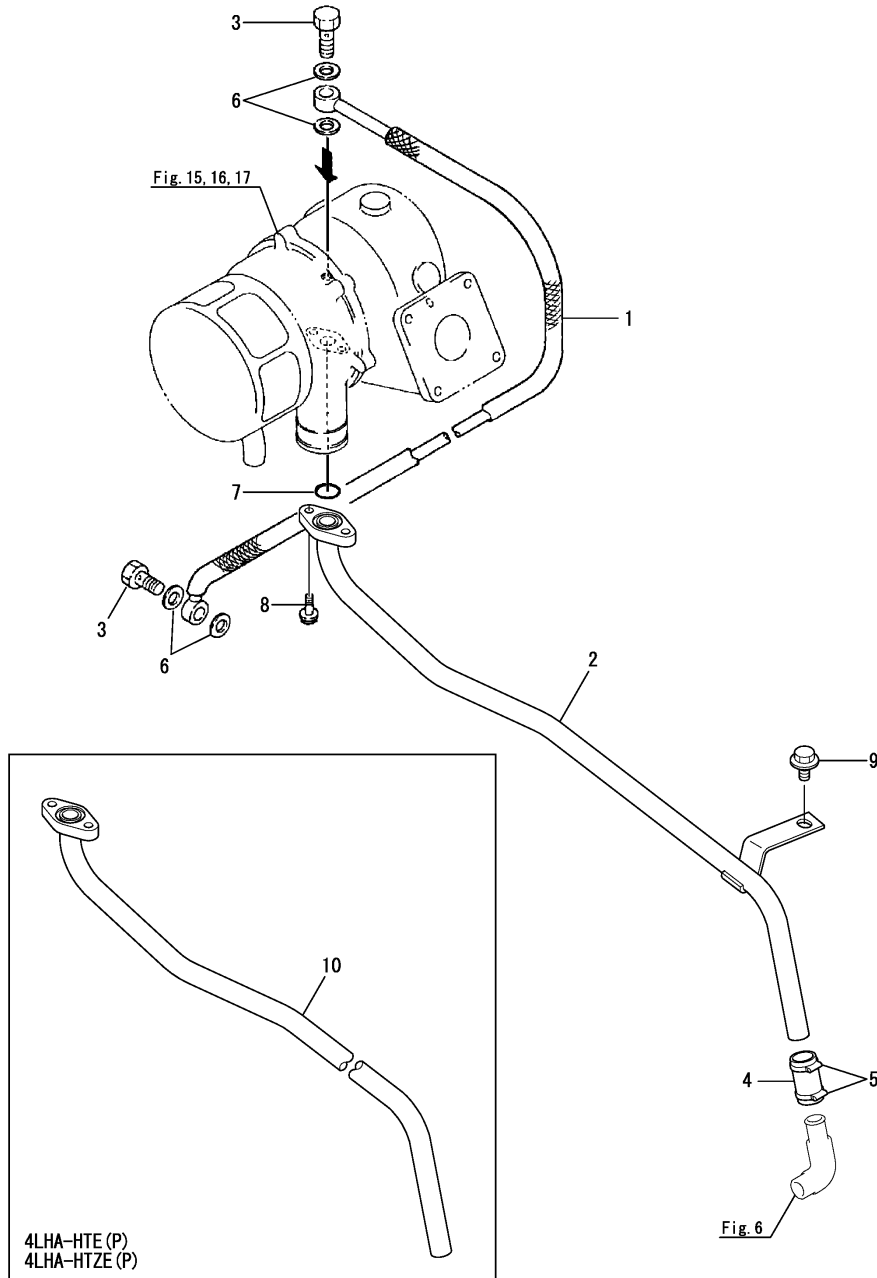
# Fig.25. LUB.OIL PIPE



(A)=4LHA-STE(P)  
 (B)=4LHA-STZE(P)  
 (C)=4LHA-DTE(P)  
 (D)=4LHA-DTZE(P)  
 (E)=4LHA-HTE(P)  
 (F)=4LHA-HTZE(P)

No.	Lev.	Parts No.	Description	Q'ty						I	R
				(A)	(B)	(C)	(D)	(E)	(F)		
1	1	119181-39400	PIPE ASSY, OIL	1	1						
1-1	1	119181-39401	PIPE ASSY, OIL	1	1	1	1				N
		(A=E50919) (B=EA5721)									
2	1	129198-59540	BOLT, PIPE JOINT M8	3	3	3	3				
3	1	22190-080002	WASHER, SEAL 6	6	6	6	6				
4	1	23297-060081	CLAMP, A6X 8	2	2	2	2				
5	1	26106-080122	BOLT, M8X 12 PLATED	2	2	2	2				
6	1	119187-35160	GASKET	1	1	1	1				
6-1	1	119187-35161	GASKET	1	1	1	1				N
		(A=EXXXXX) (B=EXXXXX) (C=EXXXXX) (D=EXXXXX)									
7	1	119173-39300	PIPE, OIL	1	1	1	1				
8	1	119187-39320	CLAMP, PIPE 14	1	1	1	1				
8-1	1	119175-39720	CLAMP	2	2	2	2				W
		(A=EXXXXX) (B=EXXXXX) (C=EXXXXX) (D=EXXXXX)									
9	1	119187-39330	CLAMP, PIPE 14	1	1	1	1				Z
		(A=EXXXXX) (B=EXXXXX) (C=EXXXXX) (D=EXXXXX)									
10	1	119175-39350	PIPE, OIL	1	1	1	1				
11	1	119187-39360	PIPE, OIL	1	1	1	1				
12	1	119187-39370	HOSE, RUBBER	1	1	1	1				
13	1	119181-39500	RETAINER	1	1	1	1				
14	1	119173-39510	RETAINER	1	1	1	1				
15	1	24311-000120	O-RING, 1AP12.0	3	3	3	3				
16	1	26106-060122	BOLT, M6X 12 PLATED	2	2	2	2				
17	1	26106-060202	BOLT, M6X 20 PLATED	1	1	1	1				
18	1	26106-080162	BOLT, M8X 16 PLATED	4	4	4	4				
19	1	26106-080252	BOLT, M8X 25 PLATED	2	2	2	2				
20	1	26106-080302	BOLT, M8X 30 PLATED	4	4	4	4				
21	1	26106-100162	BOLT, M10X 16 PLATED	1	1	1	1				
22	1	119187-35160	GASKET							1	1
22-1	1	119187-35161	GASKET							1	1
											N
						(E=EXXXXX)				(F=EXXXXX)	
23	1	119172-35170	CAP							1	1
24	1	26106-080302	BOLT, M8X 30 PLATED							14	14
25	1	119175-39700	SPACER	1	1	1	1				W
		(A=EXXXXX) (B=EXXXXX) (C=EXXXXX) (D=EXXXXX)									
25-1	1	119175-39710	BOLT	1	1	1	1				N
		(A=EXXXXX) (B=EXXXXX) (C=EXXXXX) (D=EXXXXX)									
26	1	26366-080002	NUT, M8	2	2	2	2				W
		(A=EZZZZZ) (B=EZZZZZ) (C=EZZZZZ) (D=EZZZZZ)									
26-1	1	26306-080002	NUT, M8	2	2	2	2				N
		(A=EXXXXX) (B=EXXXXX) (C=EXXXXX) (D=EXXXXX)									

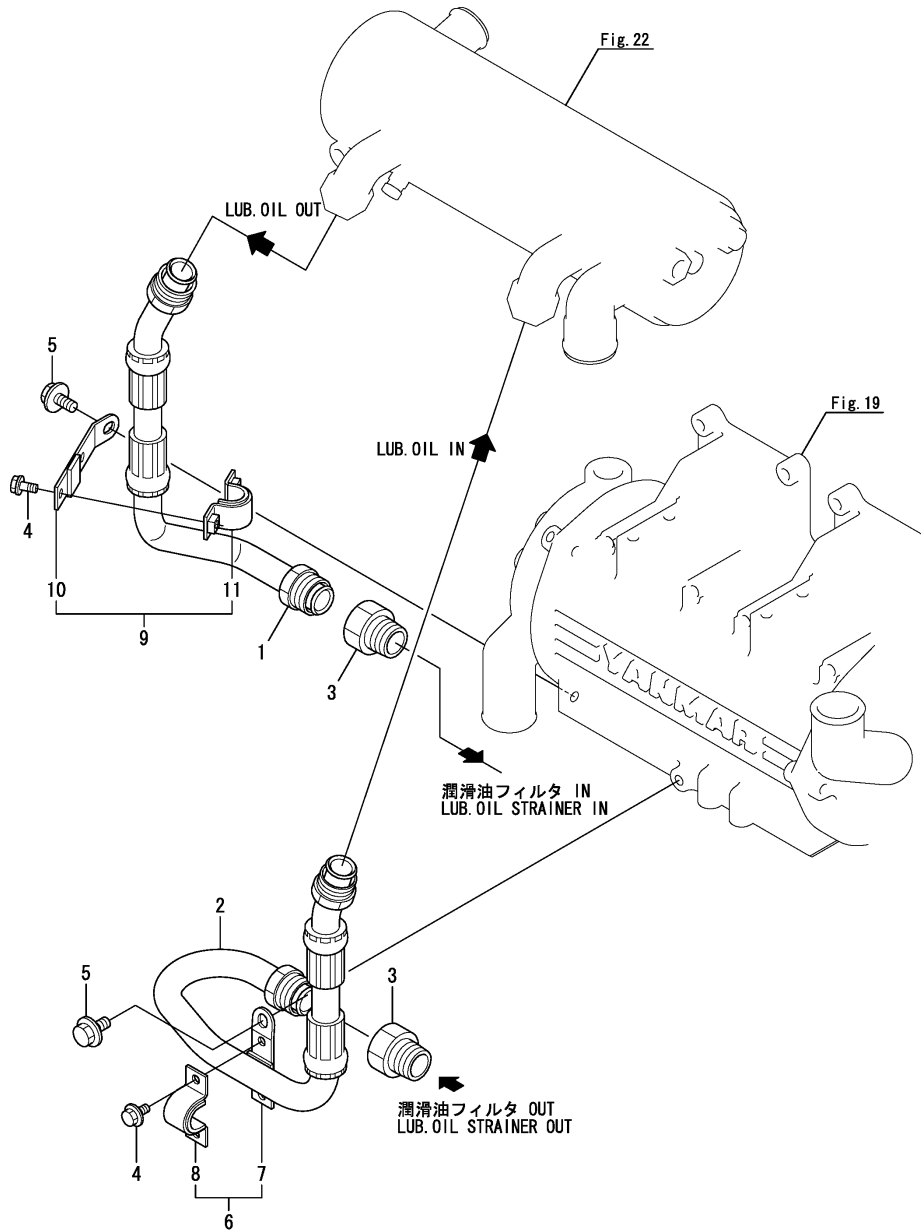
Fig.26. LUB.OIL PIPE(TURBOCHARGER)



(A)=4LHA-STE(P) (D)=4LHA-DTZE(P)  
 (B)=4LHA-STZE(P) (E)=4LHA-HTE(P)  
 (C)=4LHA-DTE(P) (F)=4LHA-HTZE(P)

No.	Lev.	Parts No.	Description	Q'ty						I	R
				(A)	(B)	(C)	(D)	(E)	(F)		
1	1	119187-39610	PIPE, OIL	1	1	1	1	1	1		
2	1	119175-39660	PIPE, OIL	1	1	1	1				
3	1	121252-39150	BOLT, JOINT M10X1.5	2	2	2	2	2	2		
4	1	119175-39820	HOSE, RETURN	1	1	1	1	1	1		
4-1	1	129792-39610	JOINT, RUBBER	1	1	1	1	1	1		N
		(A=EXXXXX) (B=EXXXXX) (C=EXXXXX) (D=EXXXXX)		(E=EXXXXX)	(F=EXXXXX)						
5	1	23000-025000	CLAMP, 25	2	2	2	2	2	2		
5-1	1	119172-48250	CLIP, HOSE 25	2	2	2	2	2	2		N
		(A=EXXXXX) (B=EXXXXX) (C=EXXXXX) (D=EXXXXX)		(E=EXXXXX)	(F=EXXXXX)						
5-2	1	23000-022000	CLAMP, 22	2	2	2	2	2	2		R
		(A=EXXXXX) (B=EXXXXX) (C=EXXXXX) (D=EXXXXX)		(E=EXXXXX)	(F=EXXXXX)						
6	1	23414-100000	GASKET, 10X1.0	4	4	4	4	4	4		
7	1	24316-000200	O-RING, 4DP20.0	1	1	1	1	1	1		
8	1	26106-060162	BOLT, M6X 16 PLATED	2	2	2	2	2	2		
9	1	26106-080162	BOLT, M8X 16 PLATED	1	1	1	1	1	1		
10	1	119172-39660	PIPE, OIL							1	1

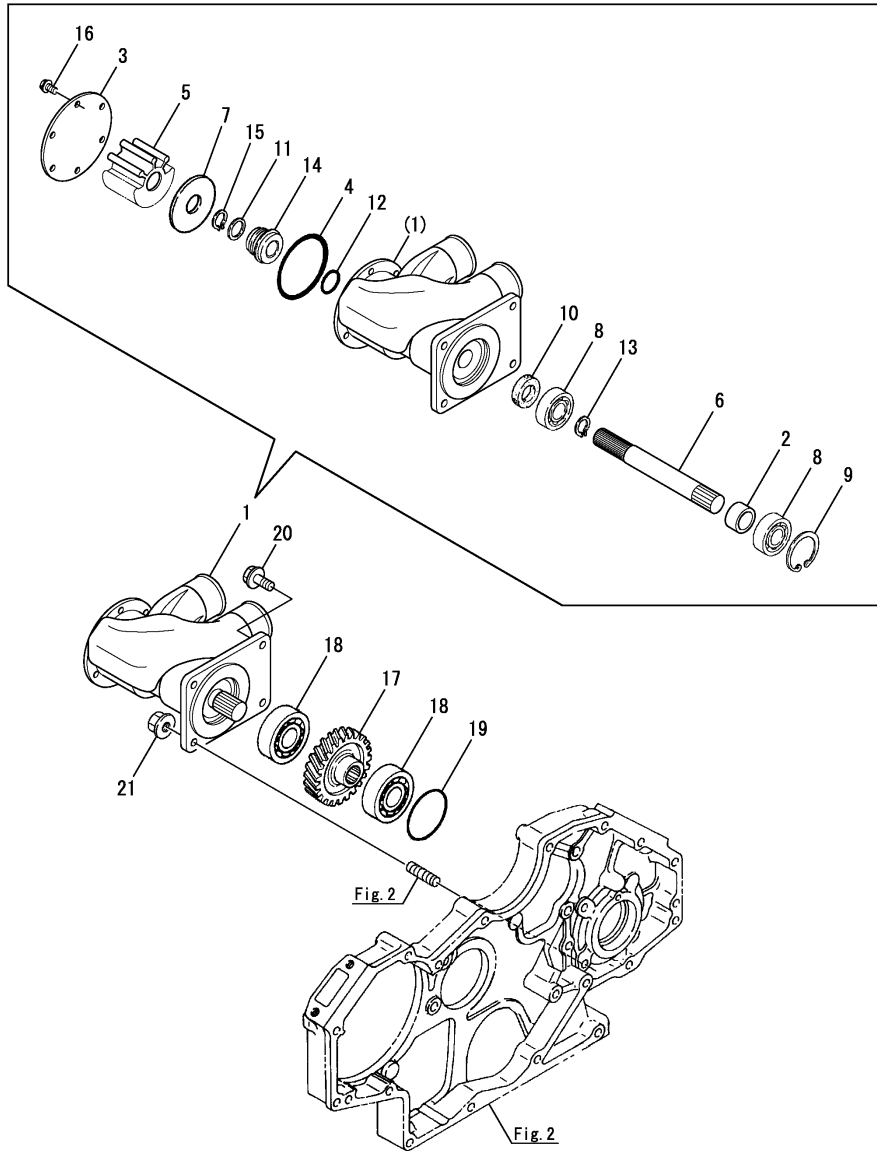
Fig.27. LUB.OIL PIPE(COOLER)



(A)=4LHA-STE(P)  
 (B)=4LHA-STZE(P)  
 (C)=4LHA-DTE(P)  
 (D)=4LHA-DTZE(P)  
 (E)=4LHA-HTE(P)  
 (F)=4LHA-HTZE(P)

No.	Lev.	Parts No.	Description	Q'ty						I	R
				(A)	(B)	(C)	(D)	(E)	(F)		
1	1	119175-39050	PIPE ASSY, OIL	1	1	1	1	1	1		
2	1	119175-39060	PIPE ASSY, OIL	1	1	1	1	1	1		
3	1	119574-39200	JOINT	2	2	2	2	2	2		
4	1	26106-060122	BOLT, M6X 12 PLATED	4	4	4	4	4	4		
5	1	26106-080162	BOLT, M8X 16 PLATED	2	2	2	2	2	2		
6	1	119175-39120	RETAINER	1	1	1	1	1	1		
7	2	119175-39160	RETAINER	1	1	1	1	1	1		
8	2	119175-39170	RETAINER	1	1	1	1	1	1		
9	1	119175-39140	RETAINER	1	1	1	1	1	1		
10	2	119175-39180	RETAINER	1	1	1	1	1	1		
11	2	119175-39190	RETAINER	1	1	1	1	1	1		

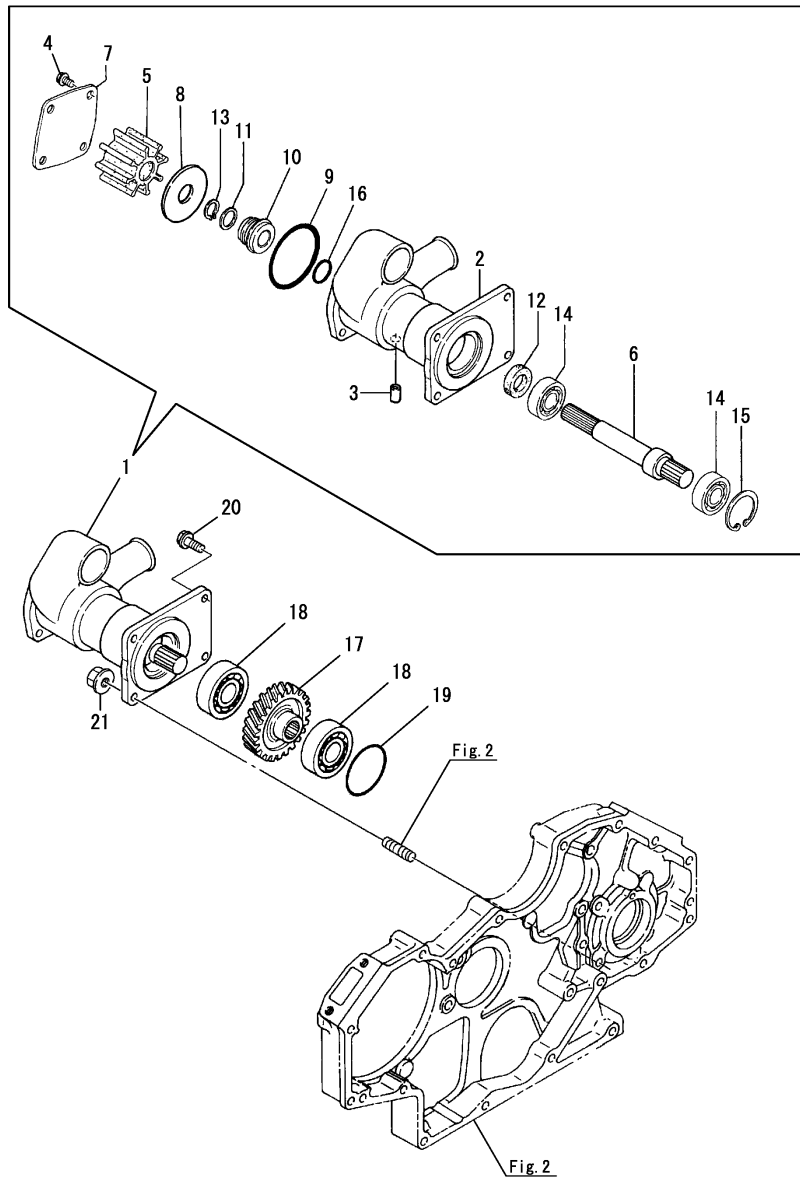
Fig.28. C.S.W.PUMP(4LHA-ST/DT(Z)E(P))



(A)=4LHA-STE(P)  
 (B)=4LHA-STZE(P)  
 (C)=4LHA-DTE(P)  
 (D)=4LHA-DTZE(P)  
 (E)=4LHA-HTE(P)  
 (F)=4LHA-HTZE(P)

No.	Lev.	Parts No.	Description	Q'ty						I	R
				(A)	(B)	(C)	(D)	(E)	(F)		
1	1	119175-42500	PUMP ASSY, WATER	1	1	1	1				
2	2	119175-42550	SPACER	1	1	1	1				
3	2	119175-42560	COVER, END	1	1	1	1				
4	2	119175-42570	O-RING	1	1	1	1				
5	2	127610-42200	IMPELLER	1	1	1	1				
5-1	2	120650-42310	IMPELLER	1	1	1	1				N
		(A=*2007.02)	(B=*2007.02)	(C=*2007.02)	(D=*2007.02)						
6	2	119175-42510	SHAFT	1	1	1	1				
7	2	119175-42520	PLATE	1	1	1	1				
8	2	119175-42530	BEARING, BALL	2	2	2	2				
9	2	119175-42540	RETAINER, BEARING	1	1	1	1				
10	2	119175-42580	SEAL, LIP	1	1	1	1				
11	2	129670-42550	WASHER	1	1	1	1				
12	2	119175-42610	O-RING	1	1	1	1				
13	2	X053421	CIRCLIP	1	1	1	1				
14	2	129670-42560	SEAL, MECHANICAL	1	1	1	1				
15	2	X0534105	CIRCLIP	1	1	1	1				
16	2	119175-42620	SCREW	6	6	6	6				
17	1	119100-26200	GEAR, PUMP	1	1	1	1				
18	1	24101-060064	BEARING, BALL 6006	2	2	2	2				
19	1	24341-000800	O-RING, 1AS80.0	1	1	1	1				
20	1	26106-080202	BOLT, M8X 20 PLATED	2	2	2	2				
21	1	26306-080002	NUT, M8	2	2	2	2				

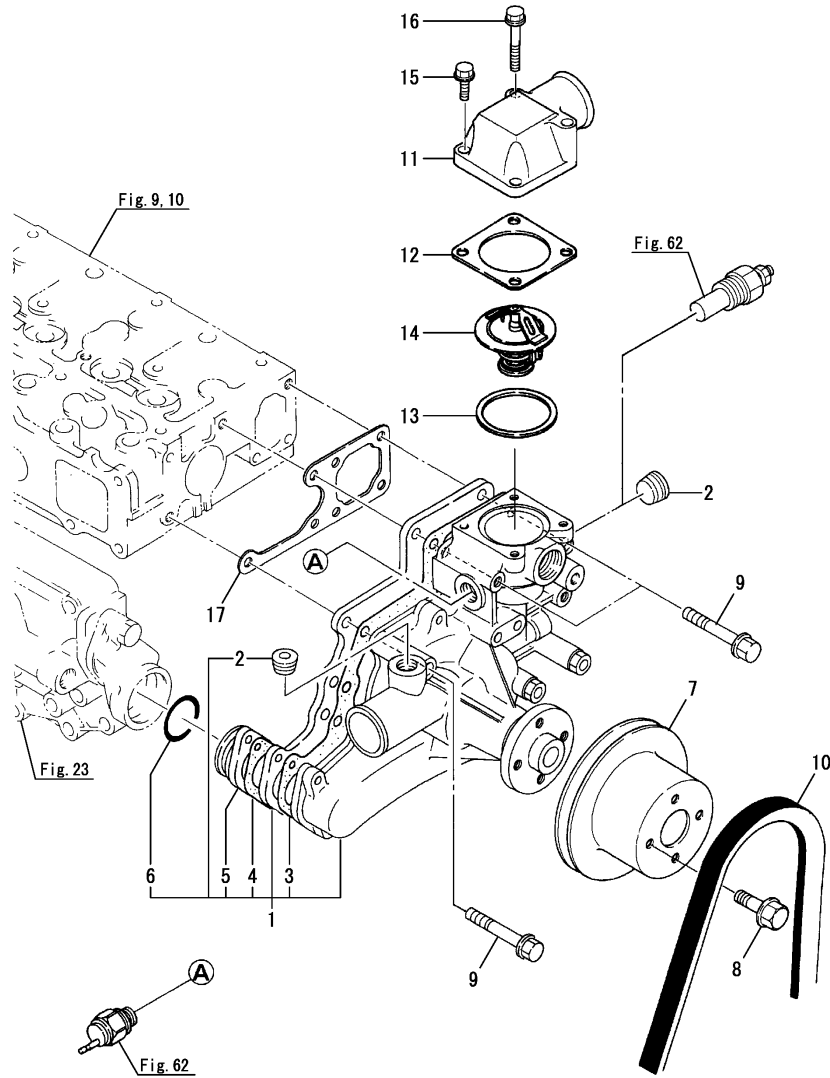
Fig.29. C.S.W.PUMP(4LHA-HT(Z)E(P))



(A)=4LHA-STE(P) (D)=4LHA-DTZE(P)  
 (B)=4LHA-STZE(P) (E)=4LHA-HTE(P)  
 (C)=4LHA-DTE(P) (F)=4LHA-HTZE(P)

No.	Lev.	Parts No.	Description	Q'ty						I	R
				(A)	(B)	(C)	(D)	(E)	(F)		
1	1	119171-42500	PUMP ASSY, WATER					1	1		
1-1	1	119171-42501	PUMP ASSY, WATER					1	1	N	
				(E=EXXXXX)				(F=EXXXXX)			
2	2	119171-42510	BODY, WATER PUMP					1	1		
3	2	126650-42301	JOINT, DRAIN					1	1		
4	2	26113-060102	BOLT, M6X 10					4	4		
5	2	123325-42020	IMPELLER					1	1		
5-1	2	123325-42021	IMPELLER					1	1	N	
				(E=EXXXXX)				(F=EXXXXX)			
6	2	119171-42520	SHAFT, IMPELLER					1	1		
7	2	119171-42530	COVER					1	1		
8	2	119171-42540	PLATE					1	1		
9	2	24321-000700	O-RING, 1AG70.0					1	1		
10	2	123472-42060	SEAL, MECHANICAL					1	1		
11	2	123472-42090	COLLAR					1	1		
12	2	123472-42150	SEAL, TC203508					1	1		
13	2	123472-42140	CIRCLIP					1	1		
14	2	24104-062044	BEARING, BALL 6204UU					2	2		
15	2	22252-000470	RING, 47					1	1		
16	2	24313-000200	O-RING 20P					1	1		
17	1	119100-26200	GEAR, PUMP					1	1		
18	1	24101-060064	BEARING, BALL 6006					2	2		
19	1	24341-000800	O-RING, 1AS80.0					1	1		
20	1	26106-080202	BOLT, M8X 20 PLATED					4	4		
21	1	26306-080002	NUT, M8					2	2		

# Fig.30. COOLING FRESH WATER PUMP

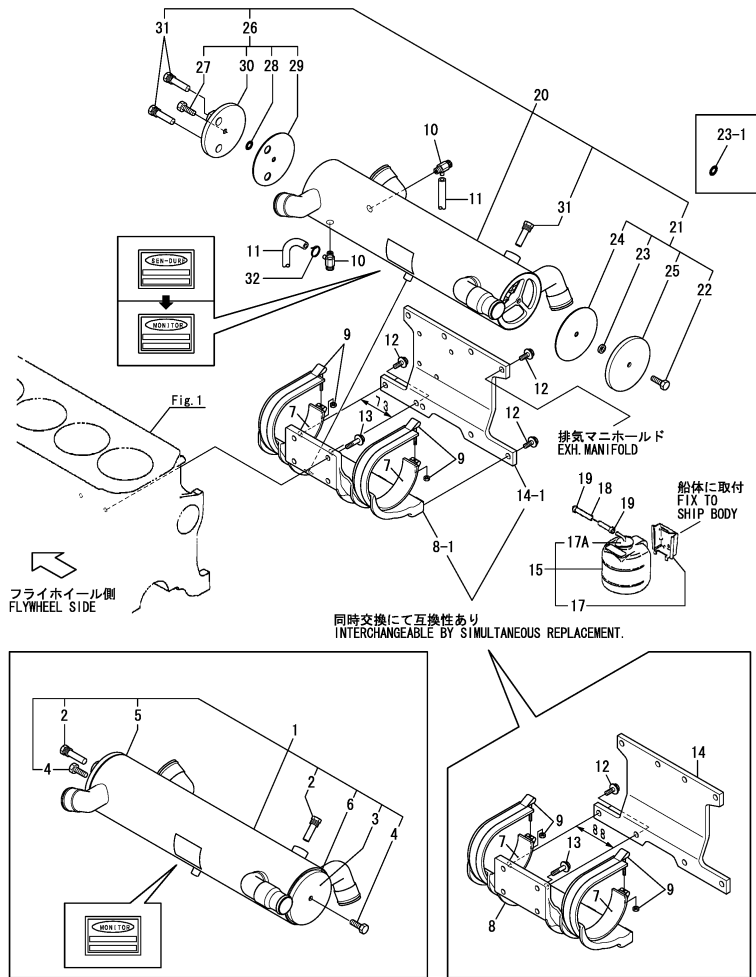


(A)=4LHA-STE(P)  
 (B)=4LHA-STZE(P)  
 (C)=4LHA-DTE(P)  
 (D)=4LHA-DTZE(P)  
 (E)=4LHA-HTE(P)  
 (F)=4LHA-HTZE(P)

No.	Lev.	Parts No.	Description	Q'ty						I	R
				(A)	(B)	(C)	(D)	(E)	(F)		
1	1	119171-42001	PUMP ASSY, WATER	1	1						
1-1	1	119171-42002	PUMP ASSY, WATER	1	1	1	1	1	1	1	R
		(A=E51702) (B=EA0860)									
1-2	1	119171-42003	PUMP ASSY, WATER	1	1	1	1	1	1	1	R
		(A=EXXXXX) (B=EXXXXX) (C=EXXXXX) (D=EXXXXX)									
2	2	23871-030000	PLUG, R03	2	2	2	2	2	2	2	
3	2	119000-42051	GASKET, WATER PUMP	1	1	1	1	1	1	1	
4	2	119000-42150	GASKET, WATER PUMP	1	1						
4-1	2	119000-42151	GASKET, WATER PUMP	1	1	1	1	1	1	1	R
		(A=E51702) (B=EA0860)									
5	2	119000-42141	FLANGE	1	1	1	1	1	1	1	
6	2	119171-42300	O-RING	1	1	1	1	1	1	1	W
		(A=E51702) (B=EA0860)									
6A	1	24311-000360	O-RING, 1AP36.0	1	1						Z
		(A=E51702) (B=EA0860)									
7	1	121850-42250	V-PULLEY	1	1	1	1	1	1	1	
8	1	26106-080162	BOLT, M8X 16 PLATED	4	4	4	4	4	4	4	
9	1	26106-080652	BOLT, M8X 65 PLATED	5	5	5	5	5	5	5	
10	1	121850-42280	V-BELT, A46	1	1	1	1	1	1	1	
11	1	119171-49530	COVER, THERMOSTAT	1	1	1	1	1	1	1	
12	1	121850-49540	GASKET, THERMOSTAT	1	1	1	1	1	1	1	
13	1	121850-49550	GASKET, THERMOSTAT	1	1	1	1	1	1	1	
14	1	121850-49810	THERMOSTAT, 71	1	1	1	1	1	1	1	
14-1	1	121850-49811	THERMOSTAT	1	1	1	1	1	1	1	N
		(A=EXXXXX) (B=EXXXXX) (C=EXXXXX) (D=EXXXXX)									
15	1	26106-060202	BOLT, M6X 20 PLATED	2	2	2	2	2	2	2	
16	1	26106-060452	BOLT, M6X 45 PLATED	2	2	2	2	2	2	2	
17	1	119000-42021	GASKET, WATER PUMP	1	1	1	1	1	1	1	

Fig.31. C.F.W.COOLER(4LHA-ST/DT(Z)E(P)

(A)=4LHA-STE(P) (D)=4LHA-DTZE(P)  
 (B)=4LHA-STZE(P) (E)=4LHA-HTE(P)  
 (C)=4LHA-DTE(P) (F)=4LHA-HTZE(P)



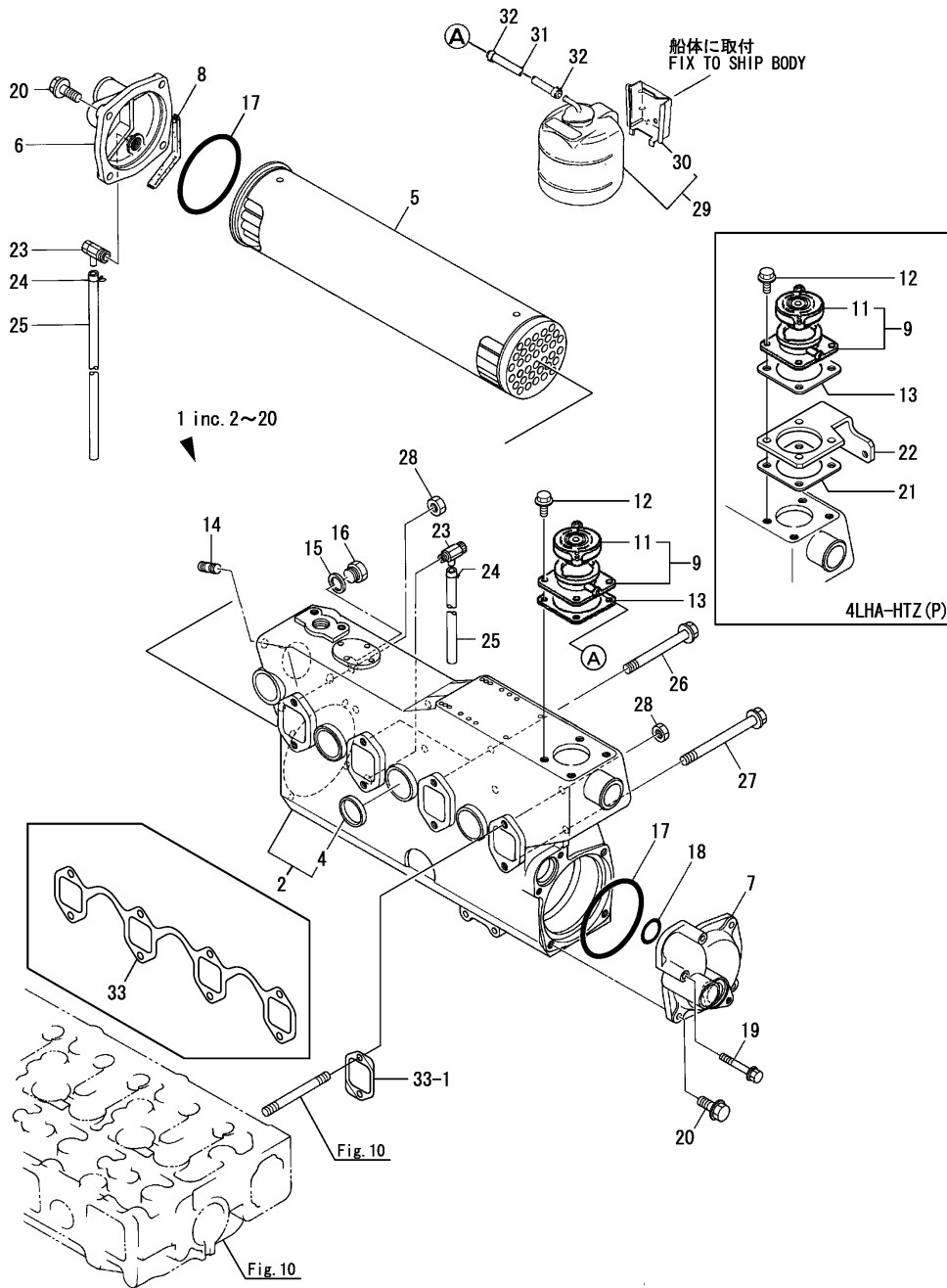
No.	Lev.	Parts No.	Description	Q'ty						I	R
				(A)	(B)	(C)	(D)	(E)	(F)		
1	1	119175-44080	COOLER ASSY, WATER	1	1	1	1				4
2	2	119574-44150	ZINC, ANTI-CORROSIVE	2	2	2	2				
3	2	119773-33060	COVER ASSY	1	1	1	1				3
4	2	119574-44180	BOLT, UNC 3/8	2	2	2	2				1
5	2	119175-33080	GASKET	1	1	1	1				2
6	2	119773-33080	GASKET	1	1	1	1				3
7	1	119775-33650	SEAT, RUBBER	2	2	2	2				
8	1	119175-44130	BRACKET	1	1						
8-1	1	119175-44131	BRACKET	1	1	1	1				S
8-2	1	119173-44131	BRACKET	1	1	1	1				R
9	1	119175-44200	CLAMP, BOLT	2	2	2	2				
10	1	120130-49350	COCK, 1/4	2	2						
10-1	1	119620-49290	COCK ASSY, 1/4	2	2	2	2				N
11	1	23061-070300	PIPE, 7X 300	2	2	2	2				
12	1	26106-080222	BOLT, M8X 22 PLATED	8	8	8	8				
13	1	26106-080252	BOLT, M8X 25 PLATED	4	4	4	4				
14	1	119175-44180	SUPPORT	1	1						
14-1	1	119175-44181	SUPPORT	1	1	1	1				S
15	1	720445-44200	TANK ASSY, SUB	1	1	1	1				
17	2	120445-44540	SUPPORT	1	1	1	1				
17A	2	X0225000630	CAP	1	1	1	1				
18	1	124790-44560	PIPE, WATER L=1000	1	1	1	1				
19	1	23010-013000	CLAMP 13	2	2	2	2				
20	1	119175-44080	COOLER ASSY, WATER	1	1	1	1				4
21	2	119175-33320	COVER KIT	1	1	1	1				W
22	3	119175-33330	BOLT, UNC 3/8-16X5/8	1	1	1	1				
23	3	119175-33360	GASKET	1	1	1	1				
23-1	3	119175-33350	O-RING	1	1	1	1				R
24	3	119175-33370	GASKET, 4 INCH	1	1	1	1				
25	3	119175-33390	COVER	1	1	1	1				
26	2	119175-33310	COVER KIT	1	1	1	1				W
27	3	119175-33340	BOLT, UNC 3/8-16X3/4	1	1	1	1				
28	3	119175-33350	O-RING	1	1	1	1				
29	3	119175-33380	GASKET, 4 INCH	1	1	1	1				
30	3	119175-33400	COVER	1	1	1	1				
31	2	119574-44150	ZINC, ANTI-CORROSIVE	2	2	2	2				
32	1	29622-250001	BAND, RF250	2	2	2	2				W

Remarks

- (1) There are a KIT and interchangeability of No.21 or No.26. (Not interchangeable single part.)
- (2) There are a KIT and interchangeability of No.26. (Not interchangeable single part.)
- (3) There are a KIT and interchangeability of No.21. (Not interchangeable single part.)
- (4) Manufacturer change. MONITOR INC. (No.1)->SEN-DURE INC. (No.20)->MONITOR INC. (No.20). part number doesn't have the change.



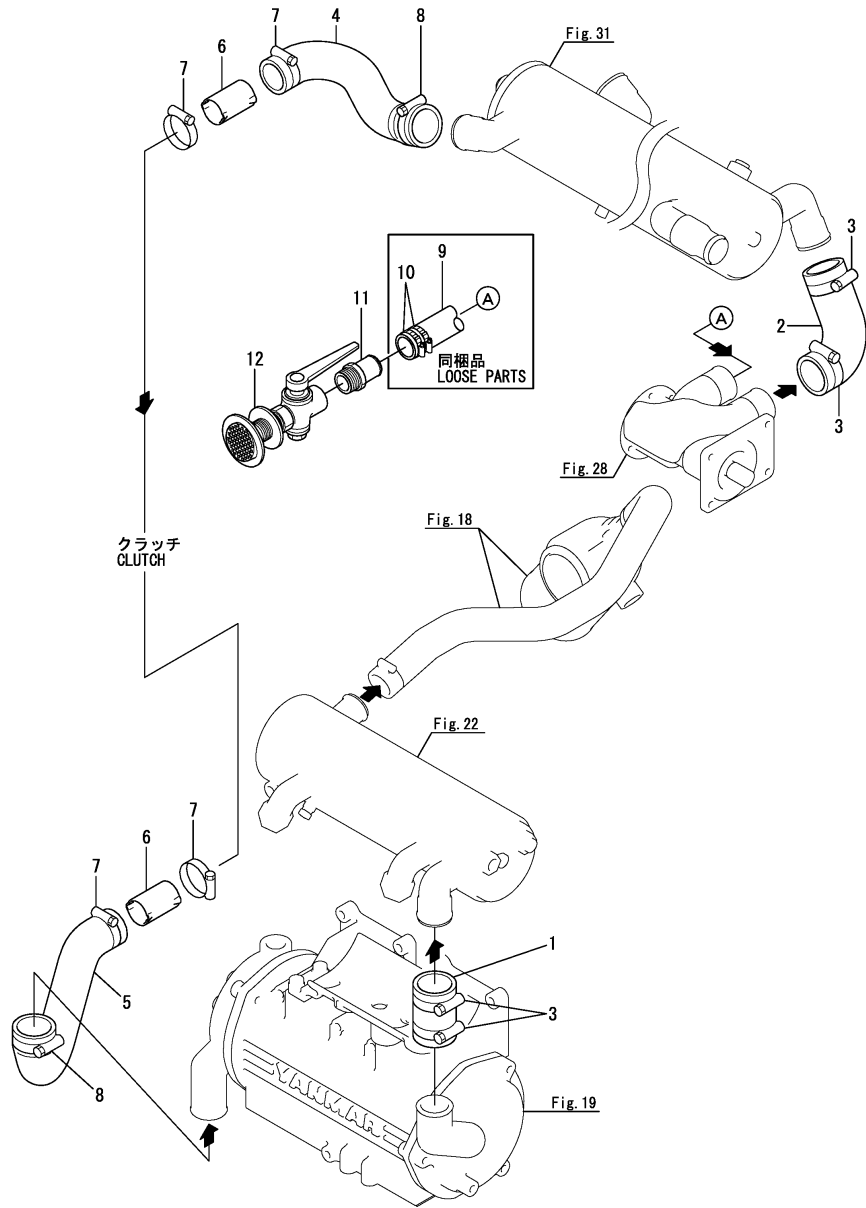
Fig.32. C.F.W.COOLER(4LHA-HT(Z)E(P))



(A)=4LHA-STE(P) (D)=4LHA-DTZE(P)  
 (B)=4LHA-STZE(P) (E)=4LHA-HTE(P)  
 (C)=4LHA-DTE(P) (F)=4LHA-HTZE(P)

No.	Lev.	Parts No.	Description	Q'ty						I	R
				(A)	(B)	(C)	(D)	(E)	(F)		
1	1	719172-44500	CORE ASSY, COOLER					1	1		
2	2	119171-44000	COOLER ASSY, WATER					1	1		
4	3	27241-280000	PLUG, 28					4	4		
4-1	3	119773-13160	PLUG, 28					4	4	N	
				(E=*2003.09)				(F=*2003.09)			
5	2	119171-44110	CORE ASSY, COOLER					1	1		
6	2	119172-44440	COVER					1	1		
7	2	119171-44450	COVER, COOLER					1	1		
8	2	119171-44470	GASKET					1	1		
9	2	129171-44600	FILLER ASSY					1	1		
11	3	129107-44590	CAP, RADIATOR					1	1		
12	2	26106-080202	BOLT, M8X 20 PLATED					4	4		
13	2	120445-44640	GASKET					1	1		
14	2	26223-100252	STUD, M10X 25					2	2		
15	2	23414-170000	GASKET, 17X1.0					1	1		
16	2	23894-030002	PLUG, G3/8					1	1		
17	2	24311-001000	O-RING, 1AP100.0					2	2		
18	2	24321-000300	O-RING, 1AG30.0					1	1		
19	2	26106-060502	BOLT, M6X 50 PLATED					2	2		
20	2	26106-080252	BOLT, M8X 25 PLATED					7	7		
21	1	120445-44640	GASKET						1		
22	1	119175-26540	BRACKET						1		
23	1	119620-49290	COCK ASSY, 1/4					2	2		
24	1	124460-77680	RETAINER					2	2		
25	1	23061-070300	PIPE, 7X 300					2	2		
26	1	129693-44320	BOLT					2	2		
27	1	119172-44310	BOLT					4	4		
28	1	26306-080002	NUT, M8					2	2		
29	1	120445-44530	TANK, SUB					1	1		
30	2	120445-44540	SUPPORT					1	1		
31	1	124790-44560	PIPE, WATER L=1000					1	1		
32	1	23010-013000	CLAMP 13					2	2		
33	1	119174-13201	GASKET, COOLER					1	1		
33-1	1	119595-13200	GASKET					4	4	N	
				(E=*2003.09)				(F=*2003.09)			

Fig.33. C.S.W.PIPE(4LHA-STE/DTE(P))

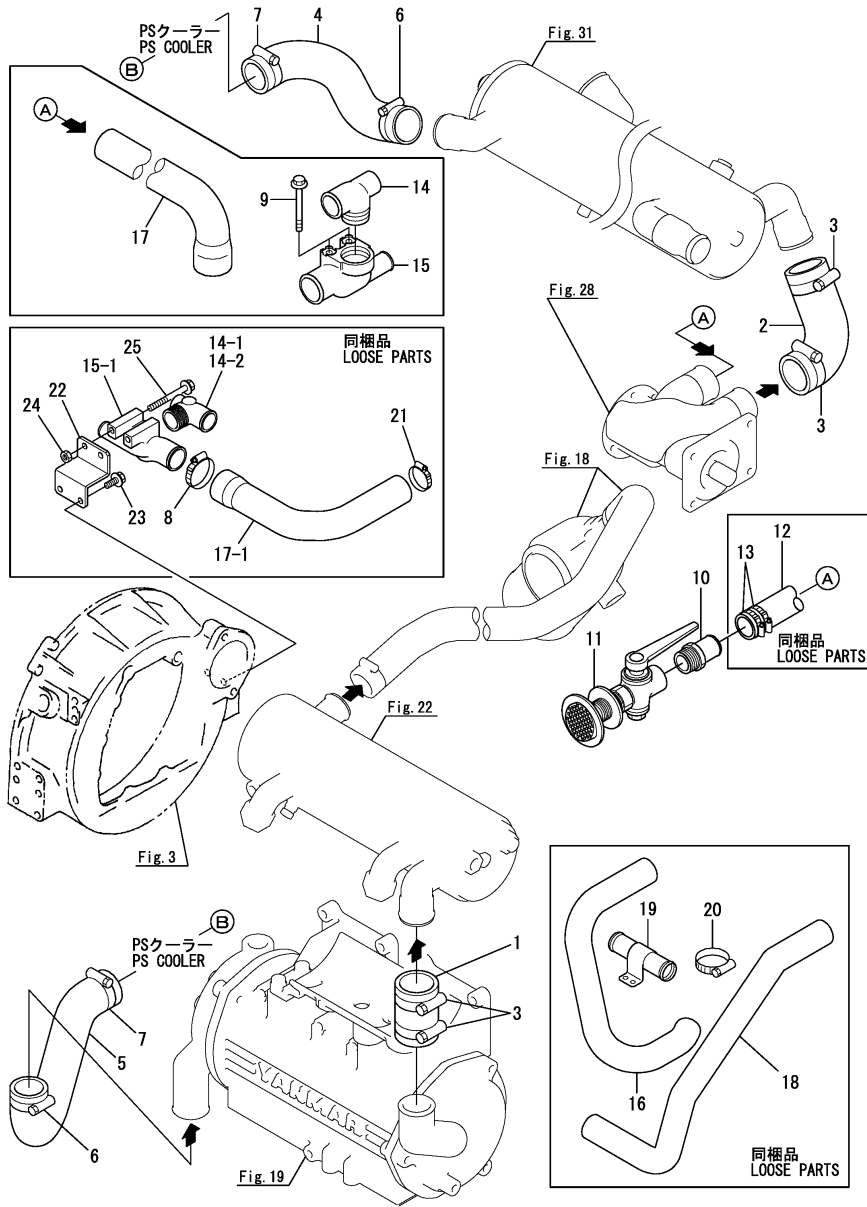


(A)=4LHA-STE(P)  
 (B)=4LHA-STZE(P)  
 (C)=4LHA-DTE(P)  
 (D)=4LHA-DTZE(P)  
 (E)=4LHA-HTE(P)  
 (F)=4LHA-HTZE(P)

No.	Lev.	Parts No.	Description	Q'ty						I	R
				(A)	(B)	(C)	(D)	(E)	(F)		
1	1	119175-49030	HOSE	1		1					
2	1	119175-49250	HOSE, WATER	1		1					
3	1	23000-054000	CLAMP, 54			4		4			
4	1	119175-49700	HOSE, GEAR	1							
5	1	119175-49710	HOSE, GEAR	1							
6	1	119181-49741	JOINT			2					
7	1	23000-048000	CLAMP, 48			4					
7-1	1	119172-48480	CLIP, HOSE 48			4					N
(A=EXXXXX)											
8	1	23000-054000	CLAMP, 54			2					
8-1	1	119172-48540	CLIP, HOSE 54			2					N
(A=EXXXXX)											
9	1	127610-49010	PIPE, WATER	1		1					2
10	1	23000-054000	CLAMP, 54			4		4			2
10-1	1	119172-48540	CLIP, HOSE 54			4		4			N 2
(A=EXXXXX) (C=EXXXXX)											
11	1	43530-500610	JOINT, PIPE 30A			1		1			1
12	1	43662-030030	COCK ASSY, KINGSTON			1		1			1
12-1	1	43662-030031	COCK ASSY, KINGSTON			1		1			R 1
(A=EXXXXX) (C=EXXXXX)											

Remarks  
 (1)Optional.  
 (2)Packaged parts.

Fig.34. C.S.W.PIPE(4LHA-STZE/DTZE(P))

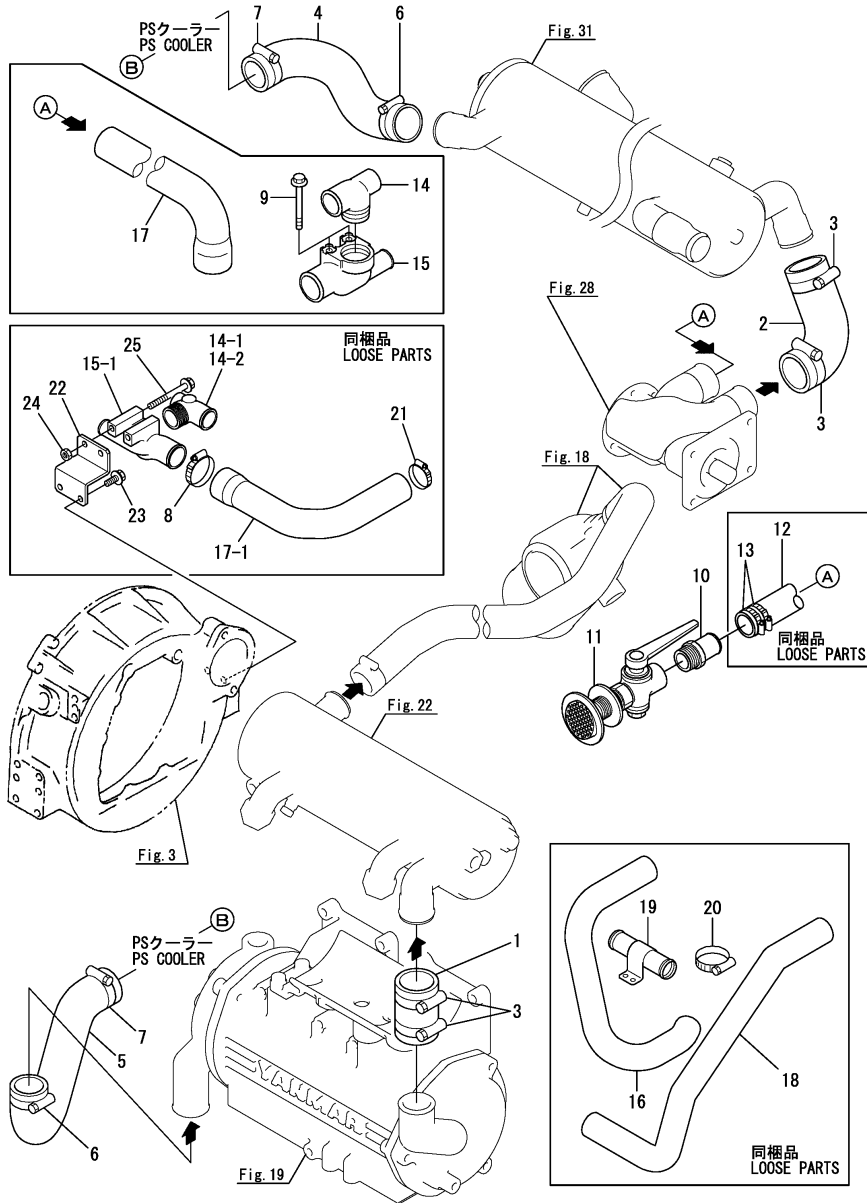


(A)=4LHA-STE(P)  
 (B)=4LHA-STZE(P)  
 (C)=4LHA-DTE(P)  
 (D)=4LHA-DTZE(P)  
 (E)=4LHA-HTE(P)  
 (F)=4LHA-HTZE(P)

No.	Lev.	Parts No.	Description	Q'ty						I	R
				(A)	(B)	(C)	(D)	(E)	(F)		
1	1	119175-49030	HOSE		1		1				
2	1	119175-49250	HOSE, WATER		1		1				
3	1	23000-054000	CLAMP, 54		4		4				
3-1	1	119172-48540 (B=EXXXXX)	CLIP, HOSE 54 (D=EXXXXX)		4		4				N
4	1	119175-49310	PIPE, WATER		1						
4-1	1	119175-49330 (B=EA0836)	HOSE		1		1				R
5	1	119175-49320	PIPE, WATER		1						
5-1	1	119175-49340 (B=EA0836)	HOSE		1		1				R
6	1	23000-048000	CLAMP, 48		2		2				
6-1	1	119172-48480 (B=EXXXXX)	CLIP, HOSE 48 (D=EXXXXX)		2		2				N
7	1	23000-054000	CLAMP, 54		2		2				
7-1	1	119172-48540 (B=EXXXXX)	CLIP, HOSE 54 (D=EXXXXX)		2		2				N
8	1	23000-060000	CLAMP, 60		1		1				2
9	1	26106-100802 (B=EA0706)	BOLT, M10X 80 PLATED		2						Z 2
10	1	43530-500610	JOINT, PIPE 30A		1		1				1
11	1	43662-030030	COCK ASSY, KINGSTON		1		1				1
11-1	1	43662-030031 (B=EXXXXX)	COCK ASSY, KINGSTON (D=EXXXXX)		1		1				N 1
12	1	127610-49010	PIPE, WATER		1		1				2
13	1	23000-054000	CLAMP, 54		4		4				2
13-1	1	119172-48540 (B=EXXXXX)	CLIP, HOSE 54 (D=EXXXXX)		4		4				N 2
14	1	119773-48640	JOINT		1						2
14-1	1	119775-48640	JOINT		1		1				R 2
14-2	1	119773-48640 (B=*2001.09)	JOINT (D=EXXXXX)		1		1				R 2
15	1	119778-49050	JOINT		1						2
15-1	1	119779-49050 (B=*2001.09)	JOINT, 3-WAY (D=EXXXXX)		1		1				R 2
16	1	119778-49150	PIPE, WATER		1						2
16-1	1	119779-49150 (B=*2001.04)	HOSE, DRIVE (D=EXXXXX)		1		1				R 2
17	1	119793-49150 (B=EA0706)	PIPE, WATER		1						Z 2
17-1	1	119175-49160 (B=EA0706)	PIPE, WATER (D=EXXXXX)		1		1				W 2
18	1	119778-49170	PIPE, WATER		1						2
18-1	1	119172-49190 (B=*2001.04)	HOSE (D=EXXXXX)		1		1				R 2
19	1	119778-49200	JOINT		1		1				2
20	1	23000-041000	CLAMP, 41		4		4				2
20-1	1	119172-48410 (B=EXXXXX)	CLIP, HOSE 41 (D=EXXXXX)		4		4				N 2
21	1	23000-054000	CLAMP, 54		1		1				2

Remarks  
 (1)Optional.  
 (2)Packaged parts.

Fig.34. C.S.W.PIPE(4LHA-STZE/DTZE(P))



(A)=4LHA-STE(P)  
(B)=4LHA-STZE(P)  
(C)=4LHA-DTE(P)

(D)=4LHA-DTZE(P)  
(E)=4LHA-HTE(P)  
(F)=4LHA-HTZE(P)

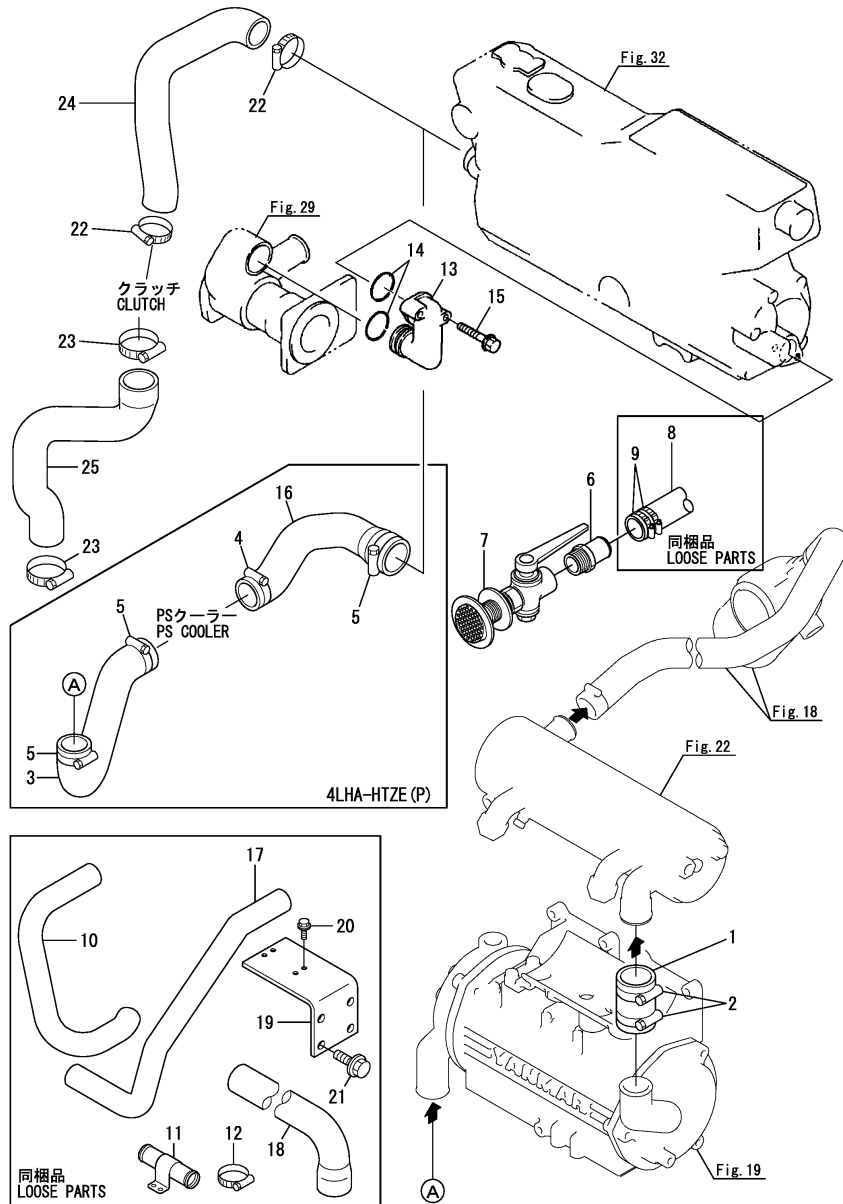
No.	Lev.	Parts No.	Description	Q'ty						I	R	
				(A)	(B)	(C)	(D)	(E)	(F)			
21-1	1	119172-48540	CLIP, HOSE 54 (B=EXXXXX)		1		1				N	2
22	1	119175-49180	BRACKET (B=EA0706)		1		1				W	2
23	1	26106-100252	BOLT, M10X 25 PLATED (B=EA0706)		2		2				W	2
24	1	26306-100002	NUT, M10 (B=EA0706)		2		2				W	2
25	1	26106-100902	BOLT, M10X 90 PLATED (B=EA0706)		2		2				W	2

Remarks  
(1)Optional.  
(2)Packaged parts.

N:Old  $\begin{smallmatrix} \leftarrow \text{Yes} \\ \text{No} \end{smallmatrix}$  New, Q:Old  $\begin{smallmatrix} \leftarrow \text{No} \\ \text{Yes} \end{smallmatrix}$  New, R:Old  $\begin{smallmatrix} \leftarrow \text{Yes} \\ \text{Yes} \end{smallmatrix}$  New, S:Old  $\begin{smallmatrix} \leftarrow \text{No} \\ \text{No} \end{smallmatrix}$  New, W:Add, Z:Discontinued, F:Interchangeable by set, K:Q'ty Change  
Copyright (C) YANMAR CO., LTD. All Rights Reserved.

Fig.35. C.S.W.PIPE(4LHA-HT(Z)E(P))

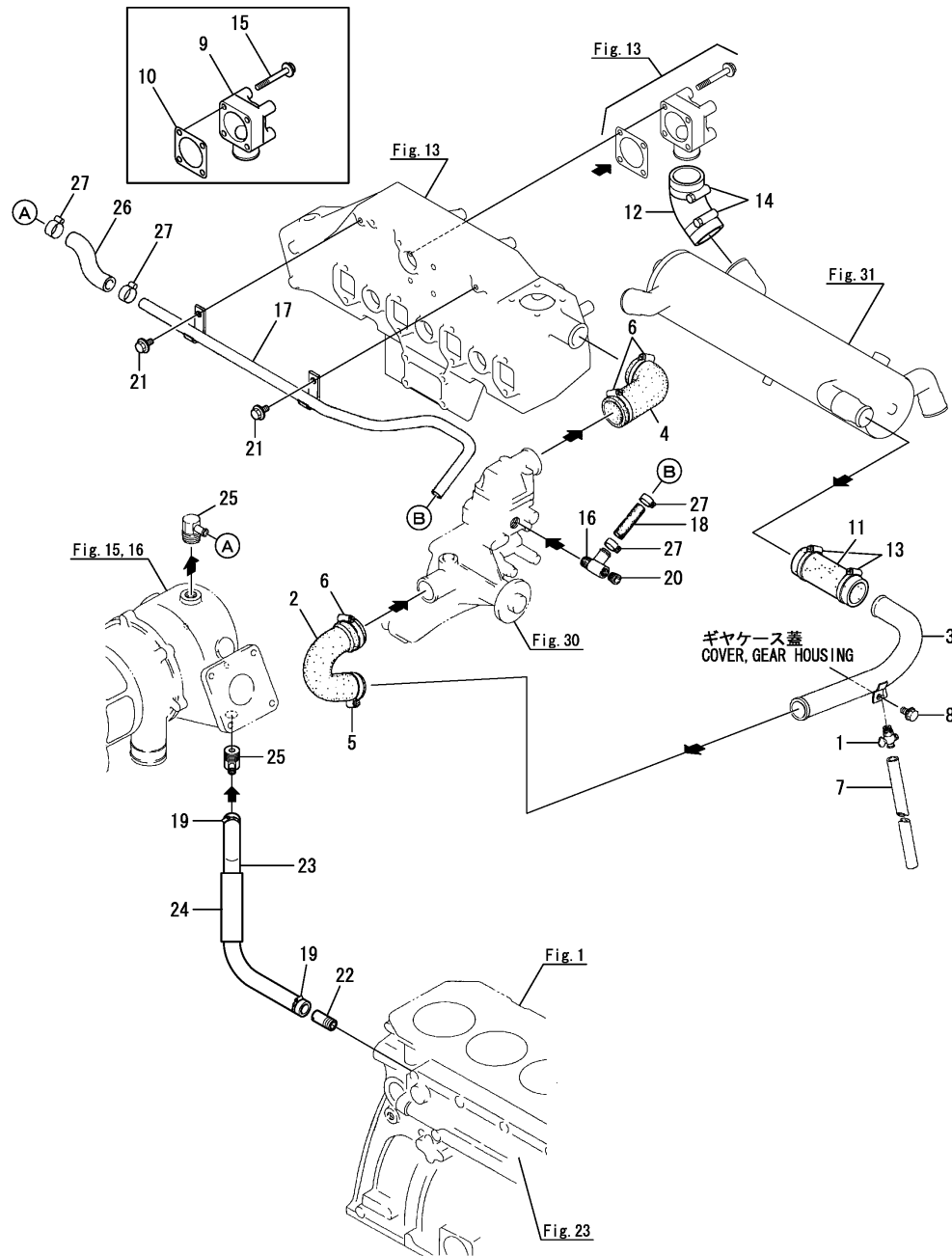
(A)=4LHA-STE(P) (D)=4LHA-DTZE(P)  
 (B)=4LHA-STZE(P) (E)=4LHA-HTE(P)  
 (C)=4LHA-DTE(P) (F)=4LHA-HTZE(P)



No.	Lev.	Parts No.	Description	Q'ty						I	R
				(A)	(B)	(C)	(D)	(E)	(F)		
1	1	119175-49030	HOSE					1	1		
2	1	23000-054000	CLAMP, 54					2	2		
2-1	1	119172-48480	CLIP, HOSE 48					2	2	N	
3	1	119175-49340	HOSE		(E=EXXXXX)			(F=EXXXXX)			
4	1	23000-048000	CLAMP, 48						1		
4-1	1	119172-48480	CLIP, HOSE 48						1	N	
5	1	23000-054000	CLAMP, 54					(F=EXXXXX)	3		
5-1	1	119172-48480	CLIP, HOSE 48						3	N	
6	1	43530-500610	JOINT, PIPE 30A					(F=EXXXXX)	1	1	1
7	1	43662-030030	COCK ASSY, KINGSTON						1	1	1
7-1	1	43662-030031	COCK ASSY, KINGSTON						1	1	N 1
8	1	23072-122000	HOSE, 12X2000					(E=EXXXXX)	1	1	2
9	1	23000-048000	CLAMP, 48						2	2	2
9-1	1	119172-48480	CLIP, HOSE 48						2	2	N 2
10	1	119779-49150	HOSE, DRIVE					(E=EXXXXX)			
11	1	119778-49200	JOINT						(F=EXXXXX)	1	2
12	1	23000-041000	CLAMP, 41						2	2	
12-1	1	119172-48410	CLIP, HOSE 41						6	2	
13	1	119171-49070	BEND						6	N 2	
14	1	24321-000300	O-RING, 1AG30.0						(F=EXXXXX)	1	1
15	1	26106-060352	BOLT, M6X 35 PLATED						2	2	
16	1	119172-49310	PIPE, WATER						1		
17	1	119172-49190	HOSE						1	2	
18	1	119172-49170	PIPE, WATER						1	2	
19	1	119172-49130	BRACKET						1	2	
20	1	26106-060102	BOLT, M6X 10 PLATED						8	2	
21	1	26106-100252	BOLT, M10X 25 PLATED						4	2	
22	1	23000-048000	CLAMP, 48						2	1	
22-1	1	119172-48480	CLIP, HOSE 48						2	N 1	
23	1	23000-054000	CLAMP, 54					(E=EXXXXX)			
24	1	119172-49600	HOSE, CLUTCH						2	1	
25	1	119172-49610	HOSE, CLUTCH						1	1	

Remarks  
 (1)Optional.  
 (2)Packaged parts.

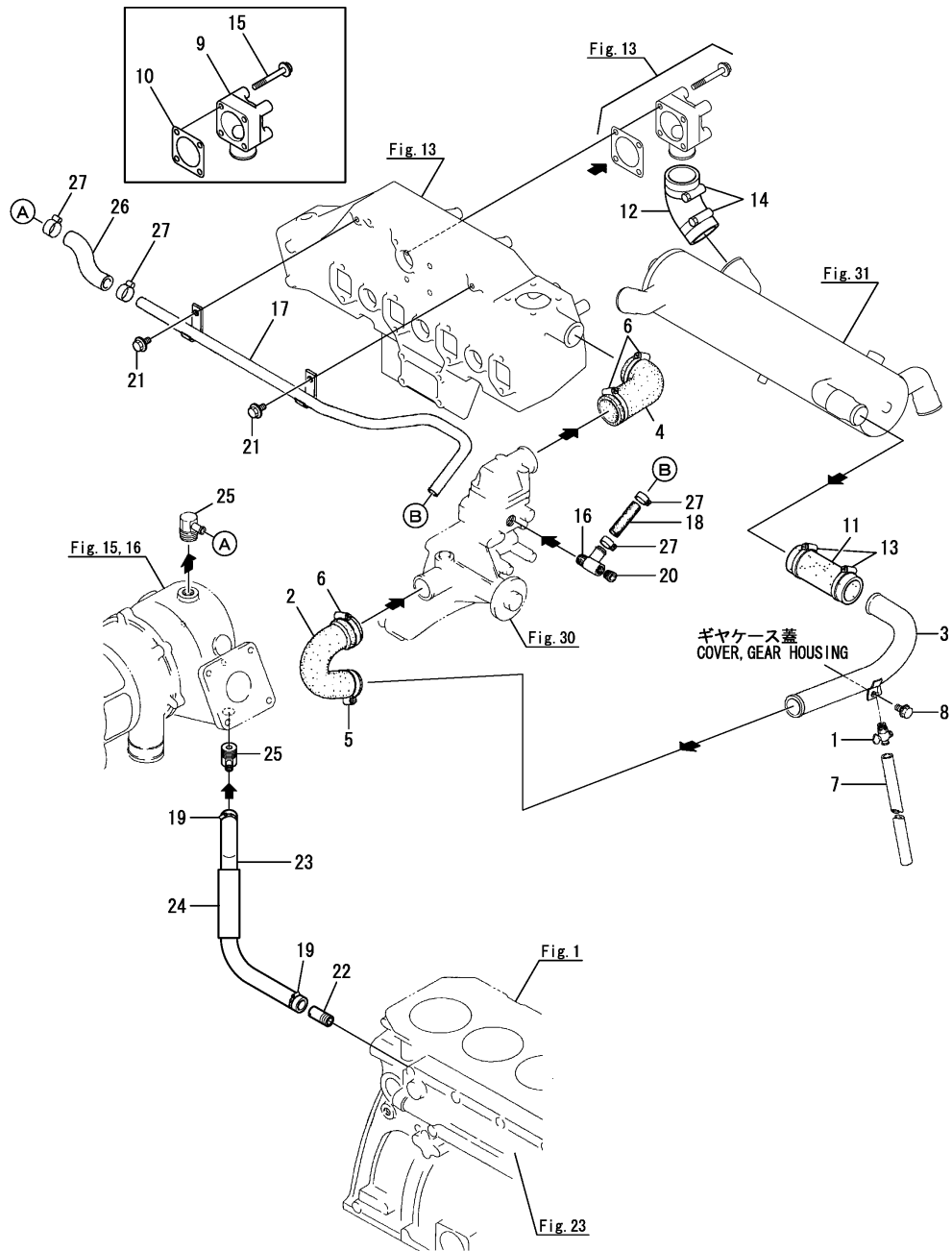
Fig.36. C.F.W.PIPE(4LHA-ST/DT(Z)E(P))



(A)=4LHA-STE(P)  
 (B)=4LHA-STZE(P)  
 (C)=4LHA-DTE(P)  
 (D)=4LHA-DTZE(P)  
 (E)=4LHA-HTE(P)  
 (F)=4LHA-HTZE(P)

No.	Lev.	Parts No.	Description	Q'ty						I	R
				(A)	(B)	(C)	(D)	(E)	(F)		
1	1	128695-44090	COCK	1	1						
1-1	1	129670-49290	COCK ASSY, R1/8	1	1	1	1				N
		(A=E50717) (B=EA0491)									
2	1	119171-49240	JOINT, RUBBER 32/38	1	1	1	1				
3	1	119171-49250	PIPE, WATER	1	1	1	1				Z
4	1	119174-49250	JOINT, RUBBER 38	1	1						
		(A=E51645) (B=EA0836)									
4-1	1	119175-49210	HOSE	1	1	1	1				W
		(A=E51645) (B=EA0836)									
4-2	1	119174-49250	JOINT, RUBBER 38	1	1	1	1				N
		(A=EXXXXX) (B=EXXXXX) (C=EXXXXX) (D=EXXXXX)									
5	1	23000-048000	CLAMP, 48	1	1	1	1				
6	1	23000-054000	CLAMP, 54	3	3	3	3				
7	1	23061-070300	PIPE, 7X 300	1	1	1	1				
8	1	26106-080162	BOLT, M8X 16 PLATED	1	1	1	1				
9	1	119175-49100	BEND	1	1	1	1				Z
		(A=EXXXXX) (B=EXXXXX) (C=EXXXXX) (D=EXXXXX)									
10	1	119175-49120	GASKET	1	1	1	1				Z
		(A=EXXXXX) (B=EXXXXX) (C=EXXXXX) (D=EXXXXX)									
11	1	119175-49150	HOSE	1	1	1	1				
12	1	119175-49200	HOSE	1	1	1	1				
13	1	23000-048000	CLAMP, 48	2	2	2	2				
13-1	1	119172-48410	CLIP, HOSE 41	2	2	2	2				N
		(A=*2002.03) (B=*2002.03) (C=*2002.03) (D=*2002.03)									
14	1	23000-054000	CLAMP, 54	2	2	2	2				
14-1	1	119172-48480	CLIP, HOSE 48	2	2	2	2				N
		(A=*2002.03) (B=*2002.03) (C=*2002.03) (D=*2002.03)									
15	1	26106-080652	BOLT, M8X 65 PLATED	4	4	4	4				Z
		(A=EXXXXX) (B=EXXXXX) (C=EXXXXX) (D=EXXXXX)									
16	1	119187-49331	JOINT	1	1	1	1				
17	1	119174-49341	PIPE, WATER	1	1	1	1				
18	1	119187-49360	HOSE, RUBBER	1	1						Z
		(A=E51645) (B=EA0836)									
18-1	1	119175-49370	HOSE	1	1	1	1				W
		(A=E51645) (B=EA0836)									
18-2	1	119187-49360	HOSE, RUBBER	1	1	1	1				N
		(A=EXXXXX) (B=EXXXXX) (C=EXXXXX) (D=EXXXXX)									
19	1	23000-025000	CLAMP, 25	2	2	2	2				
19-1	1	119172-48250	CLIP, HOSE 25	2	2	2	2				N
		(A=EXXXXX) (B=EXXXXX) (C=EXXXXX) (D=EXXXXX)									
20	1	23871-030000	PLUG, R03	1	1						
20-1	1	23875-030000	PLUG, R03	1	1	1	1				N
		(A=E50582) (B=EA0421)									
21	1	26106-080162	BOLT, M8X 16 PLATED	2	2	2	2				
22	1	104407-44480	JOINT	1	1	1	1				
23	1	119175-49300	HOSE	1	1	1	1				
24	1	119174-49310	PROTECTOR	1	1	1	1				
25	1	119187-49321	JOINT	2	2	2	2				
26	1	119175-49350	HOSE	1	1	1	1				
26-1	1	119187-49350	HOSE, RUBBER	1	1	1	1				R
		(A=EXXXXX) (B=EXXXXX) (C=EXXXXX) (D=EXXXXX)									

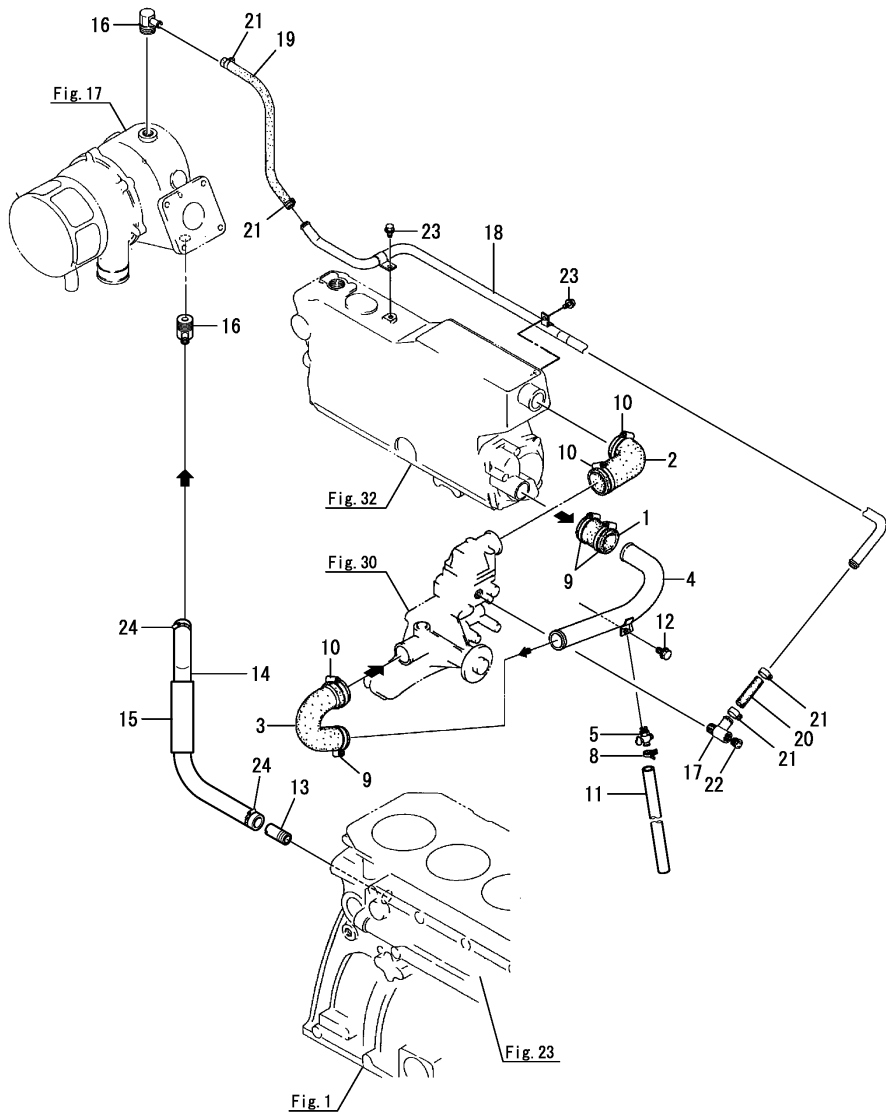
Fig.36. C.F.W.PIPE(4LHA-ST/DT(Z)E(P))



(A)=4LHA-STE(P)  
 (B)=4LHA-STZE(P)  
 (C)=4LHA-DTE(P)  
 (D)=4LHA-DTZE(P)  
 (E)=4LHA-HTE(P)  
 (F)=4LHA-HTZE(P)

No.	Lev.	Parts No.	Description	Q'ty						I	R
				(A)	(B)	(C)	(D)	(E)	(F)		
27	1	23000-025000	CLAMP, 25	4	4	4	4				
27-1	1	119172-48250	CLIP, HOSE 25	4	4	4	4			N	
		(A=EXXXXX)	(B=EXXXXX)	(C=EXXXXX)	(D=EXXXXX)						

Fig.37. C.F.W.PIPE(4LHA-HT(Z)E(P))



(A)=4LHA-STE(P) (D)=4LHA-DTZE(P)  
 (B)=4LHA-STZE(P) (E)=4LHA-HTE(P)  
 (C)=4LHA-DTE(P) (F)=4LHA-HTZE(P)

No.	Lev.	Parts No.	Description	Q'ty						I	R
				(A)	(B)	(C)	(D)	(E)	(F)		
1	1	120445-49150	JOINT, RUBBER					1		1	
2	1	119171-49200	JOINT, RUBBER 38					1		1	
3	1	119171-49240	JOINT, RUBBER 32/38					1		1	
4	1	119171-49250	PIPE, WATER					1		1	
5	1	129670-49290	COCK ASSY, R1/8					1		1	
8	1	124460-77680	RETAINER					1		1	
9	1	23000-048000	CLAMP, 48					3		3	
9-1	1	119172-48480	CLIP, HOSE 48					3		3	R
				(E=FROM 1ST)				(F=FROM 1ST)			
9-2	1	119172-48410	CLIP, HOSE 41					3		3	N
				(E=EXXXXX)				(F=EXXXXX)			
10	1	23000-054000	CLAMP, 54					3		3	
10-1	1	119172-48540	CLIP, HOSE 54					3		3	R
				(E=FROM 1ST)				(F=FROM 1ST)			
10-2	1	119172-48480	CLIP, HOSE 48					3		3	N
				(E=EXXXXX)				(F=EXXXXX)			
11	1	23061-070300	PIPE, 7X 300					1		1	
12	1	26106-080162	BOLT, M8X 16 PLATED					1		1	
13	1	104407-44480	JOINT					1		1	
14	1	119175-49300	HOSE					1		1	
15	1	119174-49310	PROTECTOR					1		1	
16	1	119187-49321	JOINT					2		2	
17	1	119187-49331	JOINT					1		1	
18	1	119187-49340	PIPE, WATER					1		1	
19	1	119172-49350	HOSE, RUBBER					1		1	
19-1	1	119172-49360	HOSE					1		1	R
				(E=EXXXXX)				(F=EXXXXX)			
20	1	119175-49370	HOSE					1		1	
20-1	1	119187-49360	HOSE, RUBBER					1		1	N
				(E=EXXXXX)				(F=EXXXXX)			
21	1	23000-025000	CLAMP, 25					4		4	
21-1	1	119172-48250	CLIP, HOSE 25					4		4	R
				(E=FROM 1ST)				(F=FROM 1ST)			
22	1	23875-030000	PLUG, R03					1		1	
23	1	26106-060122	BOLT, M6X 12 PLATED					2		2	
24	1	23000-025000	CLAMP, 25					2		2	
24-1	1	119172-48250	CLIP, HOSE 25					2		2	R
				(E=FROM 1ST)				(F=FROM 1ST)			



Fig.38. C.S.W.STRAINER(OPTIONAL)

(A)=4LHA-STE(P) (D)=4LHA-DTZE(P)  
 (B)=4LHA-STZE(P) (E)=4LHA-HTE(P)  
 (C)=4LHA-DTE(P) (F)=4LHA-HTZE(P)

No.	Lev.	Parts No.	Description	Q'ty						I	R
				(A)	(B)	(C)	(D)	(E)	(F)		
1	1	127611-48600	STRAINER	1	1	1	1	1	1		
2	1	119171-48610	JOINT, PIPE	2	2	2	2	2	2		

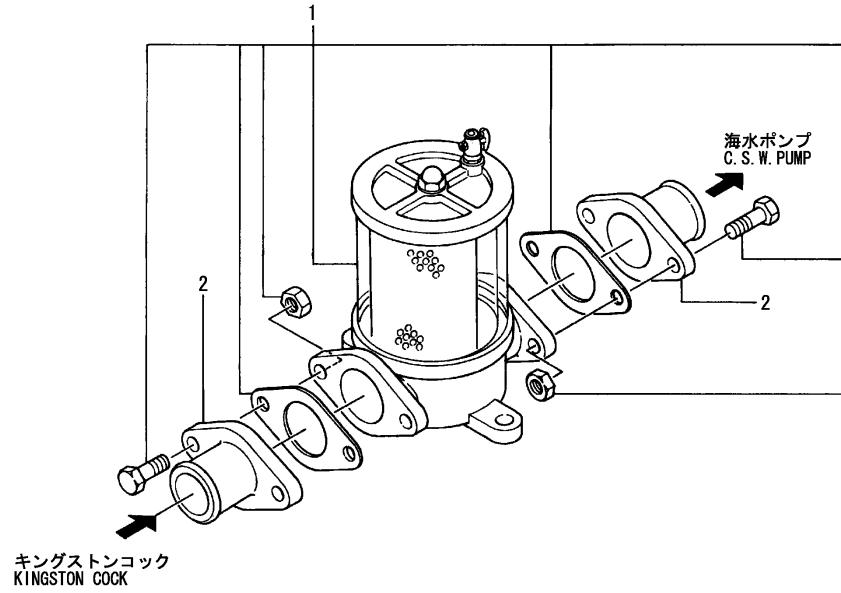
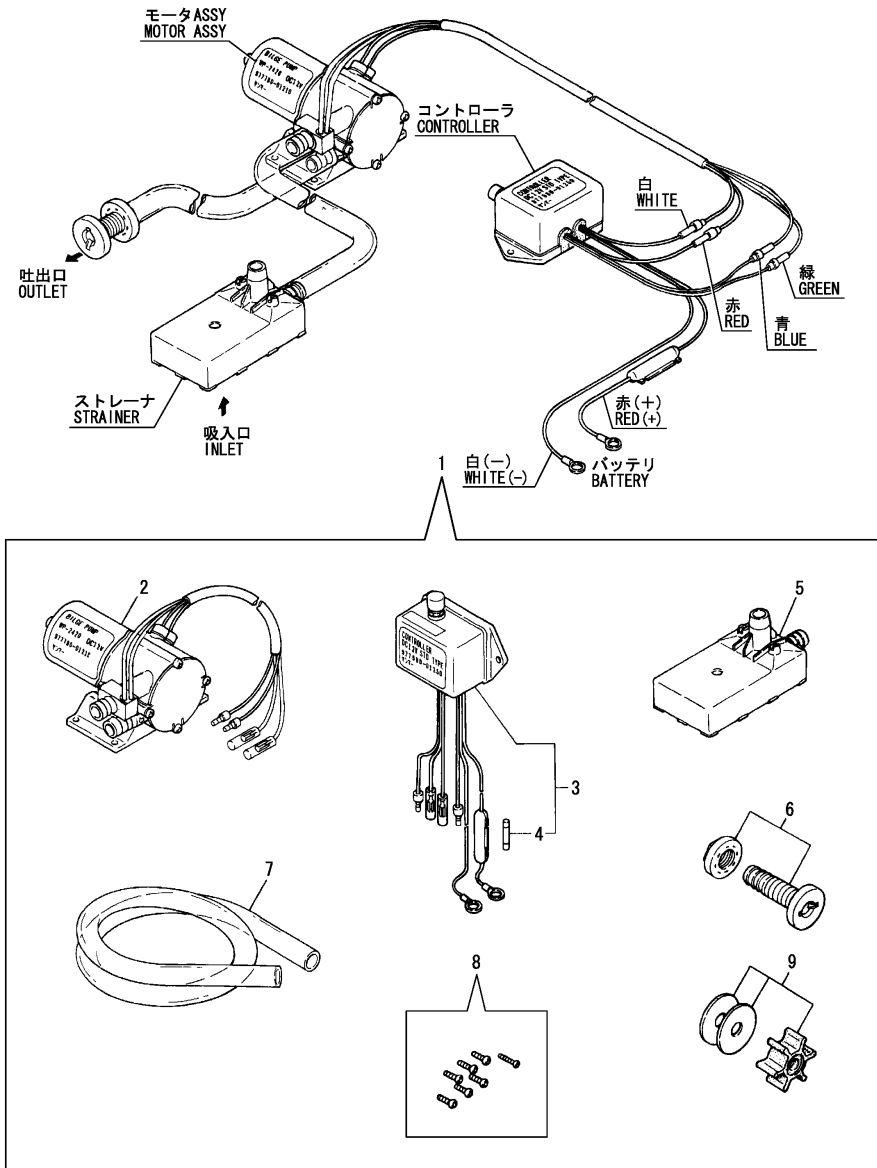


Fig.39. BILGE PUMP(STD,OPTIONAL)(UP TO EXXXXX)

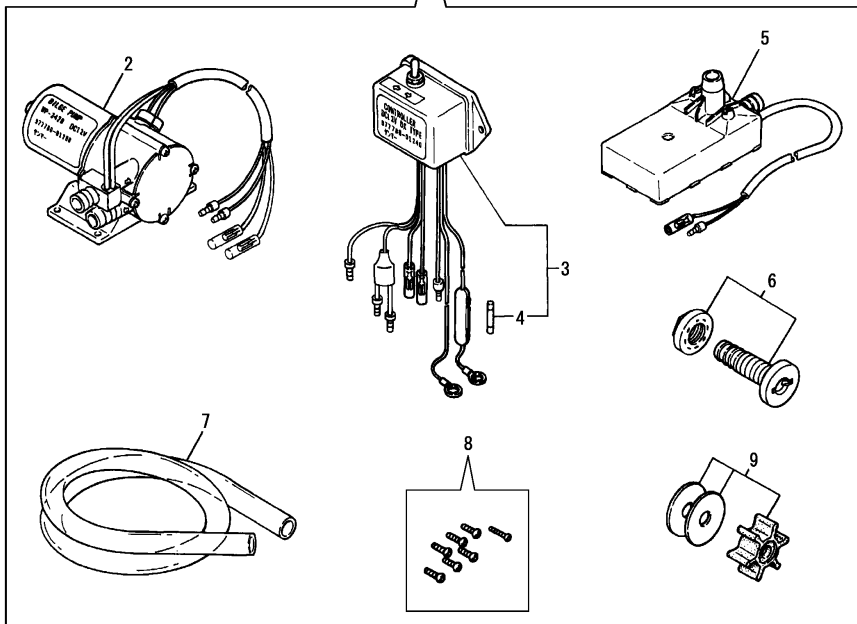
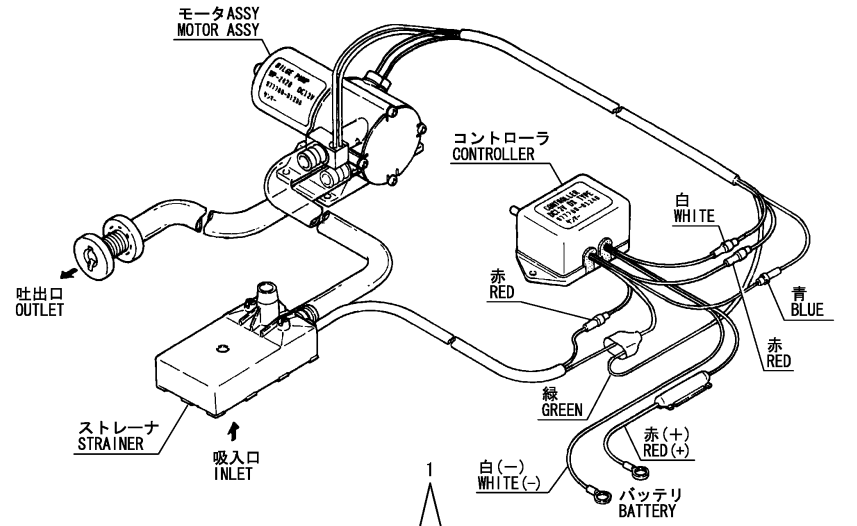


(A)=4LHA-STE(P)  
 (B)=4LHA-STZE(P)  
 (C)=4LHA-DTE(P)  
 (D)=4LHA-DTZE(P)  
 (E)=4LHA-HTE(P)  
 (F)=4LHA-HTZE(P)

No.	Lev.	Parts No.	Description	Q'ty						I	R
				(A)	(B)	(C)	(D)	(E)	(F)		
1	1	977780-01210	PUMP(12V).BILGE	1	1	1	1	1	1		
1-1	1	977780-01211	PUMP,BILGE (12V	1	1	1	1	1	1	N	1
		(A=EXXXXX) (B=EXXXXX)	(C=EXXXXX) (D=EXXXXX)		(E=EXXXXX)			(F=EXXXXX)			
2	2	977780-01230	MOTOR ASSY(BILG PUMP	1	1	1	1	1	1		
3	2	977780-01250	CONTROLLER	1	1	1	1	1	1		
4	3	X8636008003	FUSE	1	1	1	1	1	1		
5	2	X179100021X	STRAINER	1	1	1	1	1	1		
6	2	X179100100X	PIPE ASSY	1	1	1	1	1	1		
7	2	X0044021509	HOSE A	1	1	1	1	1	1		
8	2	X199903800X	SCREW KIT	1	1	1	1	1	1		
9	2	977780-03000	INPELLER	1	1	1	1	1	1		

Remarks  
 (1)Component parts:Refer to Fig.(40A)

Fig.40. BILGE PUMP(DX,OPTIONAL)(UP TO EXXXXX)



(A)=4LHA-STE(P)  
 (B)=4LHA-STZE(P)  
 (C)=4LHA-DTE(P)  
 (D)=4LHA-DTZE(P)  
 (E)=4LHA-HTE(P)  
 (F)=4LHA-HTZE(P)

No.	Lev.	Parts No.	Description	Q'ty						I	R
				(A)	(B)	(C)	(D)	(E)	(F)		
1	1	977780-01200	PUMP(12V).BILGE	1	1	1	1	1	1		
1-1	1	977780-01211	PUMP,BILGE (12V	1	1	1	1	1	1	N	1
		(A=EXXXXX) (B=EXXXXX) (C=EXXXXX) (D=EXXXXX)		(E=EXXXXX)	(F=EXXXXX)						
2	2	977780-01230	MOTOR ASSY(BILG PUMP	1	1	1	1	1	1		
3	2	977780-01240	CONTROLLER	1	1	1	1	1	1		
4	3	X8636008003	FUSE	1	1	1	1	1	1		
5	2	X179100011X	STRAINER	1	1	1	1	1	1		
6	2	X179100100X	PIPE ASSY	1	1	1	1	1	1		
7	2	X0044021509	HOSE A	1	1	1	1	1	1		
8	2	X199903800X	SCREW KIT	1	1	1	1	1	1		
9	2	977780-03000	INPELLER	1	1	1	1	1	1		

Remarks  
 (1)Component parts:Refer to Fig.(40A)

Fig.73. (40A)BILGE PUMP(OPTIONAL)(FROM EXXXXX)

(A)=4LHA-STE(P) (D)=4LHA-DTZE(P)  
 (B)=4LHA-STZE(P) (E)=4LHA-HTE(P)  
 (C)=4LHA-DTE(P) (F)=4LHA-HTZE(P)

No.	Lev.	Parts No.	Description	Q'ty						I	R
				(A)	(B)	(C)	(D)	(E)	(F)		
1	1	977780-01211 (A=EXXXXX) (B=EXXXXX)	PUMP,BILGE (12V) (C=EXXXXX) (D=EXXXXX)	1	1	1	1	1	1		W
2	2	X0318101004	MOTOR ASSY, BILGE	1	1	1	1	1	1		
3	2	X158606410X	SWITH	1	1	1	1	1	1		
4	3	X8636015001	FUSE	1	1	1	1	1	1		
5	2	X179100022X	STRAINER	1	1	1	1	1	1		
6	2	X179100100X	PIPE ASSY	1	1	1	1	1	1		
7	2	X0044021509	HOSE A	1	1	1	1	1	1		
8	2	X199906101X	SCREW SET	1	1	1	1	1	1		
9	2	977780-03000	INPELLER	1	1	1	1	1	1		

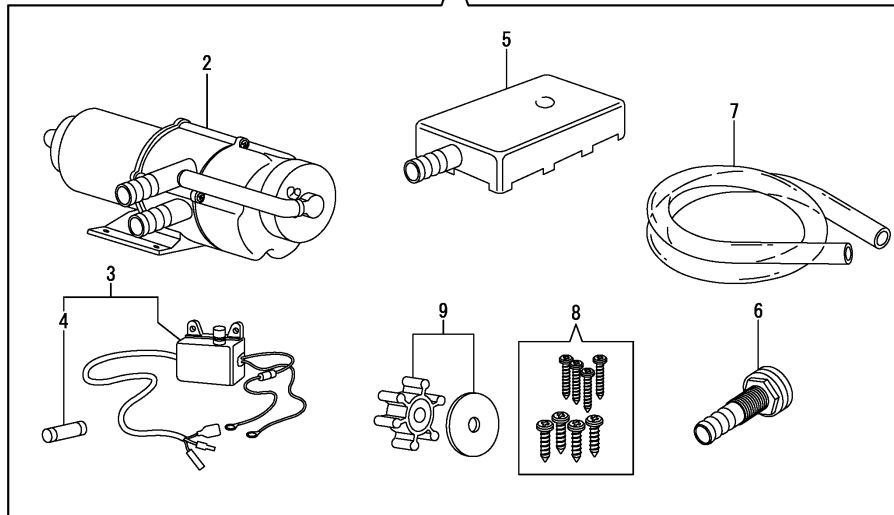
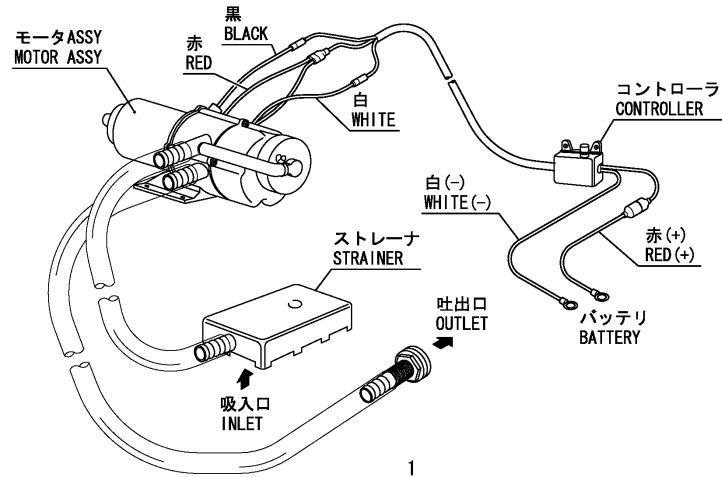
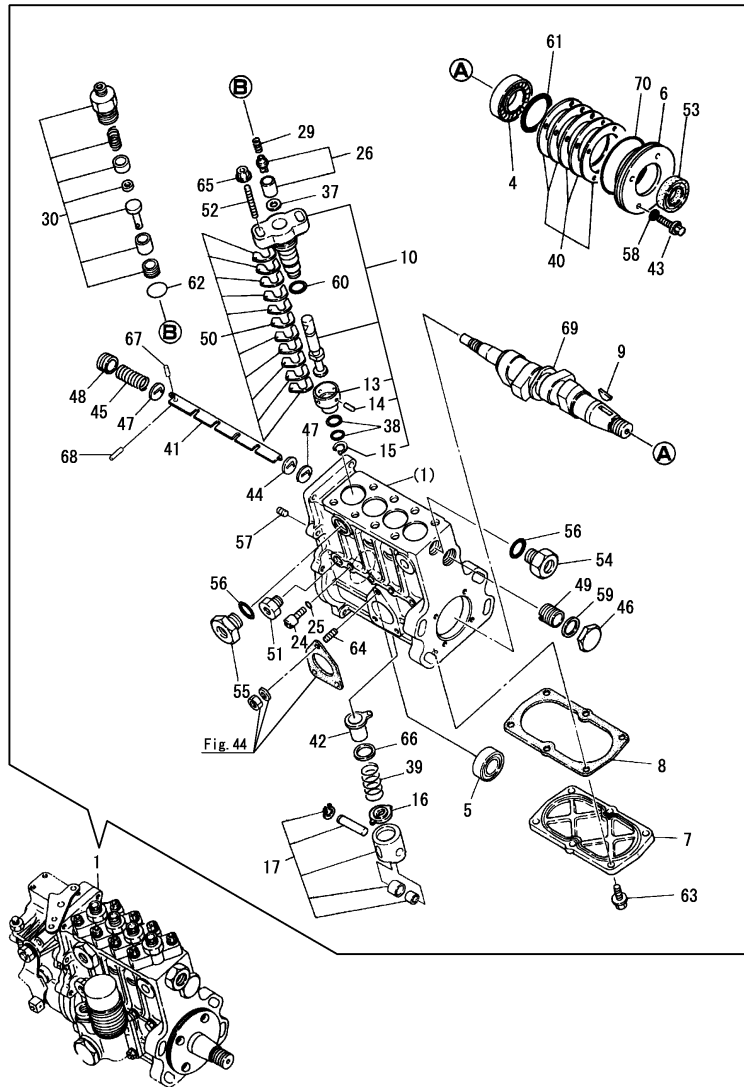


Fig.41. FUEL INJECTION PUMP(4LHA-ST/DT)

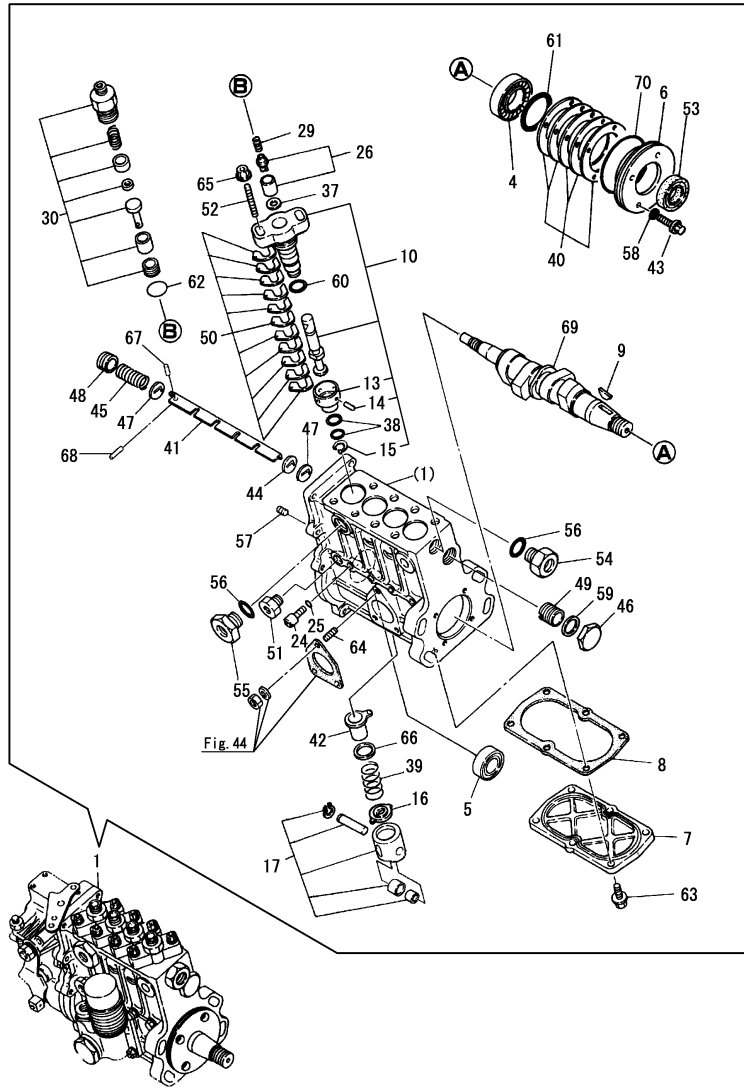


(A)=4LHA-STE(P) (D)=4LHA-DTZE(P)  
 (B)=4LHA-STZE(P) (E)=4LHA-HTE(P)  
 (C)=4LHA-DTE(P) (F)=4LHA-HTZE(P)

No.	Lev.	Parts No.	Description	Q'ty						I	R
				(A)	(B)	(C)	(D)	(E)	(F)		
1	1	719175-51310	PUMP ASSY, INJECTION	1	1						1
1A	1	719173-51310	PUMP ASSY, INJECTION				1	1			1
4	2	119000-51050	BEARING, HR32005XJ	1	1	1	1				
5	2	122710-51050	BEARING, HR30203J	1	1	1	1				
6	2	119000-51060	SUPPORT, BEARING A	1	1	1	1				
7	2	119100-51081	COVER	1	1	1	1				
8	2	119100-51091	GASKET	1	1	1	1				
9	2	144626-51090	KEY, 5X19	1	1	1	1				
10	2	119593-51100	PLUNGER ASSY	4	4	4	4				
13	3	119000-51151	DEFLECTOR	4	4	4	4				
14	3	119000-51430	PIN	4	4	4	4				
15	3	22242-000200	RING, 20	4	4	4	4				
16	2	119000-51181	SEAT, SPRING B	4	4	4	4				
17	2	119573-51200	TAPPET ASSY	4	4	4	4				
24	2	129155-51270	STOPPER, TAPPET	4	4	4	4				
24-1	2	158600-51270	STOPPER, TAPPET	4	4	4	4				R
		(A=EXXXXX) (B=EXXXXX) (C=EXXXXX) (D=EXXXXX)									
25	2	129155-51280	O-RING, S6	4	4	4	4				
26	2	119593-51300	VALVE ASSY, DELIVERY	4	4	4	4				
29	2	119000-51330	SPRING, DELIVERY	4	4	4	4				
30	2	119175-51340	VALVE ASSY, DELIVERY	4	4	4	4				
37	2	122710-51350	GASKET	4	4	4	4				
38	2	119000-51410	O-RING, S18	8	8	8	8				
38-1	2	119000-51411	O-RING	8	8	8	8				N
		(A=EXXXXX) (B=EXXXXX) (C=EXXXXX) (D=EXXXXX)									
39	2	119000-51161	SPRING, PLUNGER	4	4	4	4				
40	2	119000-51450	SHIM SET, CAMSHAFT	1	1	1	1				
41	2	119187-51500	RACK, CONTROL	1	1	1	1				
42	2	119000-51510	SLEEVE, CONTROL	4	4						
42-1	2	119000-51511	SLEEVE, CONTROL	4	4	4	4				R
		(A=E50448) (B=EA0401)									
43	2	119175-51070	BOLT, M6X20	4	4	4	4				
44	2	119593-51520	WASHER	1	1	1	1				
45	2	119593-51530	SPRING, RACK	1	1	1	1				
46	2	119000-51550	COVER	1	1	1	1				
47	2	119000-51570	GUIDE, RACK	2	2	2	2				
48	2	119000-51580	SCREW	1	1	1	1				
49	2	119000-51590	SCREW	1	1	1	1				
50	2	119000-51650	SHIM SET, ADJUSTING	8	8	8	8				
51	2	121850-51700	BUSH	1	1	1	1				
52	2	119000-51800	BOLT	8	8	8	8				
53	2	119000-51900	SEAL, AC1290E0	1	1	1	1				
54	2	121952-51900	PLUG	1	1	1	1				
55	2	121952-51900	PLUG	1	1	1	1				
56	2	144626-51950	O-RING, 1016	2	2	2	2				
56-1	2	24356-190160	O-RING, 4D19016	2	2	2	2				N
		(A=EXXXXX) (B=EXXXXX) (C=EXXXXX) (D=EXXXXX)									
57	2	137600-53900	SCREW, M6X6	1	1	1	1				
58	2	22190-060000	WASHER, SEAL 6	4	4	4	4				
59	2	23414-220029	GASKET, 22X1.0	1	1	1	1				
60	2	24341-000260	O-RING, 1AS26.0	4	4	4	4				

Remarks  
 (1)Governor assy(Fig.43) and fuel feed pump assy(Fig.44) is incorporated in this fuel injection pump assy(Ref.No.1,1A)

Fig.41. FUEL INJECTION PUMP(4LHA-ST/DT

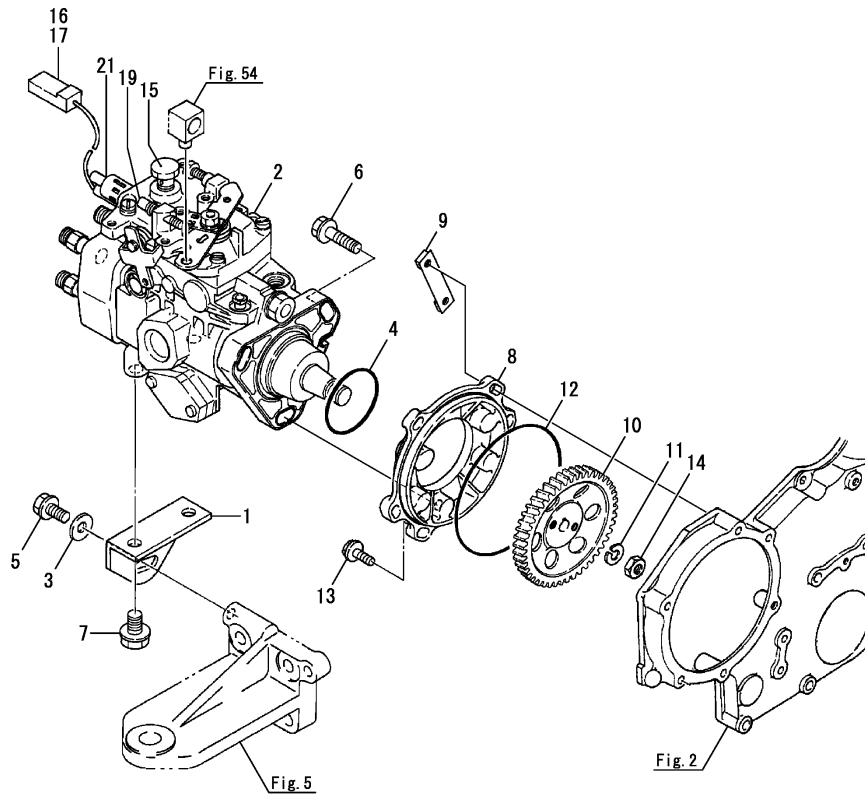


(A)=4LHA-STE(P)  
 (B)=4LHA-STZE(P)  
 (C)=4LHA-DTE(P)  
 (D)=4LHA-DTZE(P)  
 (E)=4LHA-HTE(P)  
 (F)=4LHA-HTZE(P)

No.	Lev.	Parts No.	Description	Q'ty						I	R
				(A)	(B)	(C)	(D)	(E)	(F)		
60-1	2	158563-51662 (A=EXXXXX) (B=EXXXXX) (C=EXXXXX) (D=EXXXXX)	O-RING, 4D S26	4	4	4	4				N
61	2	24341-000500	O-RING, 1AS50.0	1	1	1	1				
62	2	24352-010160	O-RING	4	4	4	4				
62-1	2	24356-190160 (A=EZZZZZ) (B=EZZZZZ) (C=EZZZZZ) (D=EZZZZZ)	O-RING, 4D19016	4	4	4	4				N
62-2	2	24356-190150 (A=EZZZZZ) (B=EZZZZZ) (C=EZZZZZ) (D=EZZZZZ)	O-RING, 4D19015	4	4	4	4				N
63	2	26106-060182	BOLT, M6X 18 PLATED	6	6	6	6				
64	2	26216-060162	STUD, M6X 16	3	3	3	3				
64-1	2	129155-51020 (A=EXXXXX) (B=EXXXXX) (C=EXXXXX) (D=EXXXXX)	STUD	3	3	3	3				N
65	2	26366-080002	NUT, M8	8	8	8	8				
66	2	119000-51170	SEAT, SPRING A	4	4	4	4				
67	2	22351-020008	PIN, SPRING 2.0X 8	1	1	1	1				
68	2	22351-020012	PIN, SPRING 2.0X12	1	1	1	1				
69	2	119175-51030	CAMSHAFT	1	1	1	1				
70	2	124410-51960	O-RING	1	1	1	1				W
		(A=EXXXXX) (B=EXXXXX) (C=EXXXXX) (D=EXXXXX)									

Remarks  
 (1)Governor assy(Fig.43) and fuel feed pump assy(Fig.44) is incorporated in this fuel injection pump assy(Ref.No.1,1A)

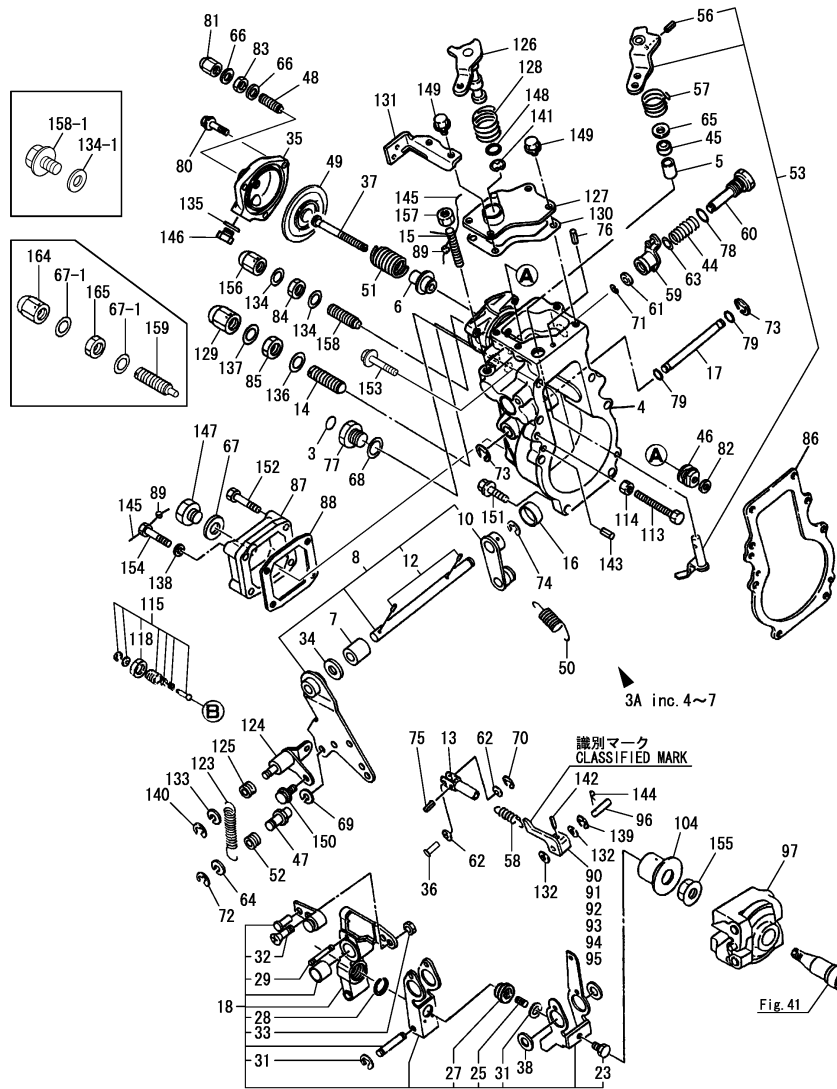
Fig.42. FUEL INJECTION PUMP(4LHA-HT(Z)E(P))



(A)=4LHA-STE(P) (D)=4LHA-DTZE(P)  
 (B)=4LHA-STZE(P) (E)=4LHA-HTE(P)  
 (C)=4LHA-DTE(P) (F)=4LHA-HTZE(P)

No.	Lev.	Parts No.	Description	Q'ty						I	R	
				(A)	(B)	(C)	(D)	(E)	(F)			
1	1	119171-01980	RETAINER, PUMP					1	1			
2	1	119172-51931	PUMP ASSY, INJECTION					1	1			
3	1	106100-55800	WASHER					1	1			
4	1	24341-000500	O-RING, 1AS50.0					1	1			
5	1	26106-080162	BOLT, M8X 16 PLATED					1	1			
6	1	26106-080302	BOLT, M8X 30 PLATED					3	3			
7	1	26106-100162	BOLT, M10X 16 PLATED					2	2			
8	1	119171-25910	BRACKET, PUMP					1	1			
9	1	119000-25920	RETAINER					1	1			
10	1	119171-25920	GEAR, PUMP					1	1			
11	1	22217-140000	WASHER, SPRING 14					1	1			
12	1	24341-001350	O-RING, 1AS135.0					1	1			
13	1	26106-080252	BOLT, M8X 25 PLATED					3	3			
14	1	26776-140002	NUT, LOCK M14					1	1			
15	1	129693-51990	VALVE, OVERFLOW					1	1			
16	1	119171-67200	SOLENOID, MAGNETIC					1	1			
17	1	X1466584820	WIRE					1	1			
19	1	129930-61970	CAP					1	1		W	
21	1	129930-61980	CAP			(E=EXXXXX)		(F=EXXXXX)		1	1	W
						(E=EXXXXX)		(F=EXXXXX)				

Fig.43. GOVERNOR



Remarks

- (1)Pitch 51
- (2)Pitch 52
- (3)Pitch 53
- (4)Pitch 51.5
- (5)Pitch 52.5
- (6)Pitch 53.5

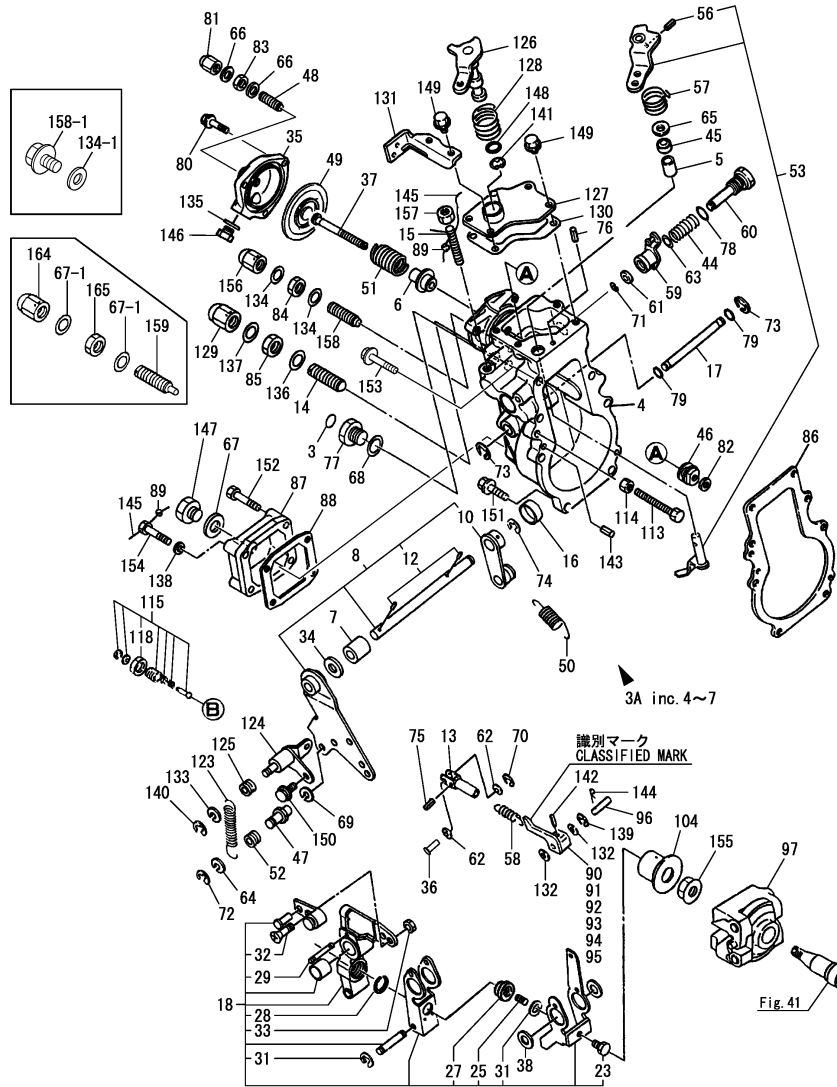
(A)=4LHA-STE(P)  
 (B)=4LHA-STZE(P)  
 (C)=4LHA-DTE(P)

(D)=4LHA-DTZE(P)  
 (E)=4LHA-HTE(P)  
 (F)=4LHA-HTZE(P)

No.	Lev.	Parts No.	Description	Q'ty						I	R
				(A)	(B)	(C)	(D)	(E)	(F)		
3	3	124610-51970	LABEL	1	1	1	1				
3A	3	119573-61030	CASE, GOVERNOR	1	1	1	1				W
		(A=EXXXXX) (B=EXXXXX) (C=EXXXXX) (D=EXXXXX)									
4	4	119573-61010	CASE, GOVERNOR	1	1	1	1				
5	4	127695-61840	BUSH	1	1	1	1				
6	4	129595-61610	BUSH	1	1	1	1				
7	4	120323-61430	BUSH	2	2	2	2				
8	3	119173-61400	LEVER ASSY, CONTROL	1	1	1	1				
10	4	120323-61420	LEVER, GOVERNOR	1	1	1	1				
12	4	22322-030220	PIN, TAPER 3X22	2	2	2	2				
13	3	119000-61120	LINK	1	1	1	1				
14	3	127695-61450	BOLT, CONTROL	1	1	1	1				
15	3	121850-61470	BOLT, LIMITER	1	1	1	1				
16	3	129795-61470	PLUG, 20	1	1	1	1				
17	3	119000-61490	SHAFT	1	1	1	1				
18	3	119174-61500	LEVER ASSY, GOVERNOR	1	1	1	1				
23	4	127495-61540	SHIFTER	1	1	1	1				
25	4	120130-61600	SPRING, FUEL CONTROL	1	1	1	1				
27	4	119187-61911	RETAINER, SPRING	1	1	1	1				
28	4	119187-61920	CIRCLIP	1	1	1	1				
29	4	119187-61930	PIN	1	1	1	1				
31	4	22272-000040	RING, E- 4	5	5	5	5				
32	4	26577-060162	SCREW, M6X16	1	1	1	1				
33	4	26716-060002	NUT, M6	1	1	1	1				
34	3	120320-61540	SEAL, SC102004	1	1	1	1				
35	3	129595-61600	CASE	1	1	1	1				
36	3	119595-61170	PIN, LINK	1	1	1	1				
37	3	129595-61620	ROD, SLIDER	1	1	1	1				
38	3	119000-61630	SHIM SET	1	1	1	1				
44	3	119593-61650	SPRING	1	1	1	1				
45	3	148616-61650	SEAL, VC081404	1	1	1	1				
46	3	127495-61660	RING	1	1	1	1				
47	3	121850-61670	BOLT	1	1	1	1				
48	3	129595-61670	BOLT, ADJUSTER	1	1	1	1				
48-1	3	129595-61671	BOLT, ADJUSTING	1	1	1	1				N
		(A=EXXXXX) (B=EXXXXX) (C=EXXXXX) (D=EXXXXX)									
49	3	129595-61680	DIAPHRAGM	1	1	1	1				
49-1	3	129595-61681	DIAPHRAGM ASSY	1	1	1	1				N
		(A=EXXXXX) (B=EXXXXX) (C=EXXXXX) (D=EXXXXX)									
50	3	119588-61700	SPRING, GOVERNOR	1	1	1	1				
51	3	119593-61760	SPRING, DIAPHRAGM	1	1	1	1				
52	3	144626-61781	PIECE	1	1	1	1				
53	3	119593-61800	LEVER ASSY, STOP	1	1	1	1				
56	4	22351-030016	PIN, SPRING 3.0X16	1	1	1	1				
57	3	119593-61830	SPRING, RETURN	1	1	1	1				
58	3	119187-61190	SPRING	1	1	1	1				
59	3	119594-61850	LEVER	1	1	1	1				
60	3	119593-61860	SHAFT	1	1	1	1				
61	3	119593-61890	SPACER	1	1	1	1				
62	3	22117-050000	WASHER, 5	2	2	2	2				
63	3	22117-080000	WASHER, 8	1	1	1	1				



Fig.43. GOVERNOR



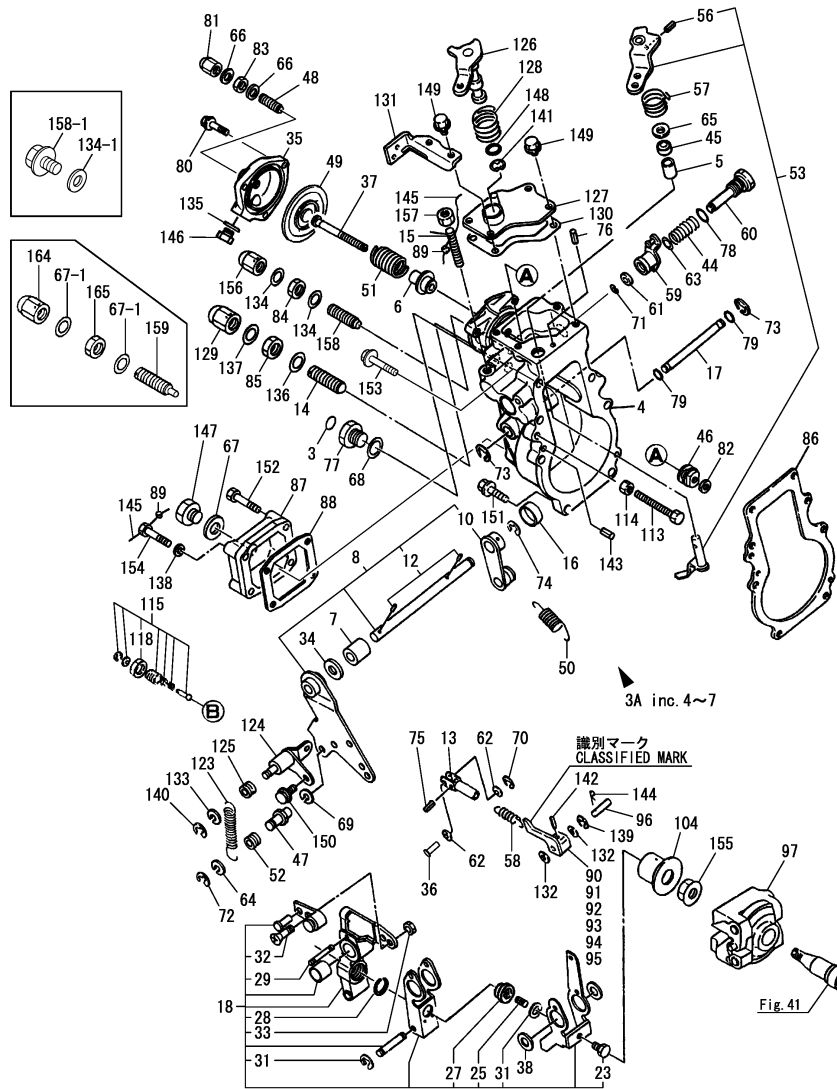
Remarks

- (1)Pitch 51
- (2)Pitch 52
- (3)Pitch 53
- (4)Pitch 51.5
- (5)Pitch 52.5
- (6)Pitch 53.5

(A)=4LHA-STE(P) (D)=4LHA-DTZE(P)  
 (B)=4LHA-STZE(P) (E)=4LHA-HTE(P)  
 (C)=4LHA-DTE(P) (F)=4LHA-HTZE(P)

No.	Lev.	Parts No.	Description	Q'ty						I	R
				(A)	(B)	(C)	(D)	(E)	(F)		
64	3	22117-080000	WASHER, 8	1	1	1	1				
65	3	22137-080000	WASHER, 8	1	1	1	1				
66	3	22190-080000	WASHER, SEAL 8	2	2	2	2				
66-1	3	22190-080002 (A=EXXXXX) (B=EXXXXX) (C=EXXXXX) (D=EXXXXX)	WASHER, SEAL 6	2	2	2	2				N
67	3	22190-120002	WASHER, SEAL 12	1	1	1	1				
67-1	3	22190-120002 (A=EXXXXX) (B=EXXXXX) (C=EXXXXX) (D=EXXXXX)	WASHER, SEAL 12	2	2	2	2				K
68	3	22190-160002	WASHER, SEAL 16	1	1	1	1				
69	3	22217-080000	WASHER, SPRING 8	1	1	1	1				
70	3	22272-000040	RING, E- 4	1	1	1	1				
71	3	22272-000060	RING, E- 6	1	1	1	1				
72	3	22272-000060	RING, E- 6	1	1	1	1				
72-1	3	22276-000060 (A=EXXXXX) (B=EXXXXX) (C=EXXXXX) (D=EXXXXX)	RING, E- 6	1	1	1	1				R
73	3	22272-000080	RING, E- 8	2	2	2	2				
74	3	22272-000080	RING, E- 8	1	1	1	1				
75	3	22351-030016	PIN, SPRING 3.0X16	1	1	1	1				
76	3	22492-060362	PIN, B6X36	1	1	1	1				
77	3	23887-160002	PLUG, 16	1	1	1	1				
78	3	24311-000120	O-RING, 1AP12.0	1	1	1	1				
79	3	24341-000080	O-RING, 1AS8.0	2	2	2	2				
80	3	26106-060182	BOLT, M6X 18 PLATED	3	3	3	3				
81	3	26667-080002	NUT, CAP M8	1	1	1	1				
82	3	26756-060002	NUT, LOCK M6	1	1	1	1				
82-1	3	26716-060002 (A=EXXXXX) (B=EXXXXX) (C=EXXXXX) (D=EXXXXX)	NUT, M6	1	1	1	1				R
83	3	26756-080002	NUT, LOCK M8	1	1	1	1				
84	3	26756-080002 (A=EXXXXX) (B=EXXXXX) (C=EXXXXX) (D=EXXXXX)	NUT, LOCK M8	1	1	1	1				Z
85	3	26777-120002	NUT, LOCK M12	1	1	1	1				
86	2	119000-61051	GASKET	1	1						
86-1	2	119000-61052 (A=E50507) (B=EA0421)	GASKET	1	1	1	1				R
87	2	119187-61071	COVER, GOVERNOR CASE	1	1	1	1				
88	2	127695-61071	GASKET	1	1	1	1				
89	2	135210-61090	LEAD	3	3	3	3				
89-1	2	114780-61090 (A=EXXXXX) (B=EXXXXX) (C=EXXXXX) (D=EXXXXX)	TIN	3	3	3	3				N
90	2	119593-61100	LINK	1	1	1	1				1
91	2	119593-61110	LINK	1	1	1	1				2
92	2	119593-61120	LINK	1	1	1	1				3
93	2	119593-61130	LINK, 10.5	1	1	1	1				4
94	2	119593-61140	LINK, 11.5	1	1	1	1				5
95	2	119593-61150	LINK, 12.5	1	1	1	1				6
96	2	119000-61180	PIN, LINK	1	1	1	1				
97	2	119173-61200	WEIGHT ASSY,GOVERNOR	1	1	1	1				
104	2	119187-61300	SLEEVE ASSY	1	1	1	1				
113	2	171353-61460	BOLT, IDLE	1	1	1	1				
114	2	119000-61470	NUT, M6	1	1	1	1				
115	2	119174-61550	ANGLEICH ASSY	1	1	1	1				

Fig.43. GOVERNOR



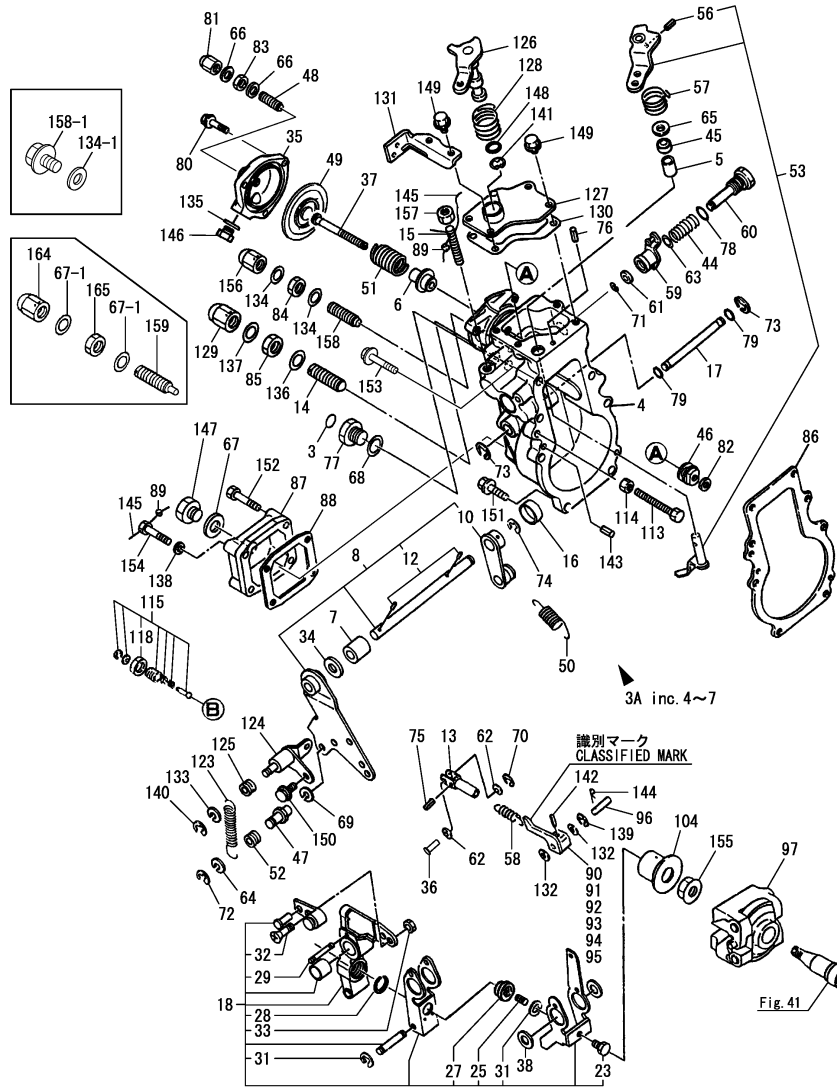
Remarks

- (1)Pitch 51
- (2)Pitch 52
- (3)Pitch 53
- (4)Pitch 51.5
- (5)Pitch 52.5
- (6)Pitch 53.5

(A)=4LHA-STE(P) (D)=4LHA-DTZE(P)  
 (B)=4LHA-STZE(P) (E)=4LHA-HTE(P)  
 (C)=4LHA-DTE(P) (F)=4LHA-HTZE(P)

No.	Lev.	Parts No.	Description	Q'ty						I	R
				(A)	(B)	(C)	(D)	(E)	(F)		
118	3	124616-61580	NUT, LOCK	1	1	1	1				
123	2	119173-61651	SPRING	1	1	1	1				
124	2	119173-61660	SUPPORT, SPRING	1	1	1	1				
125	2	144626-61781	PIECE	1	1	1	1				
126	2	119593-61900	LEVER	1	1	1	1				
127	2	119593-61910	COVER	1	1	1	1				
128	2	119593-61920	SPRING, RETURN	1	1	1	1				
129	2	129100-61930	NUT, CAP	1	1	1	1				
130	2	127695-61961	GASKET	1	1	1	1				
131	2	119593-61990	SUPPORT, WIRE	1	1	1	1				
132	2	22117-050000	WASHER, 5	2	2	2	2				
133	2	22117-080000	WASHER, 8	1	1	1	1				
134	2	22190-080002	WASHER, SEAL 6	2	2	2	2				
134-1	2	22190-080002	WASHER, SEAL 6	1	1	1	1				K
		(A=EXXXXX) (B=EXXXXX) (C=EXXXXX) (D=EXXXXX)									
135	2	22190-100002	WASHER, SEAL 10	1	1	1	1				
136	2	22190-120002	WASHER, SEAL 12	1	1	1	1				
137	2	22190-120002	WASHER, SEAL 12	1	1	1	1				
138	2	22217-060000	WASHER, SPRING 6	1	1	1	1				
139	2	22272-000040	RING, E- 4	1	1	1	1				
140	2	22272-000060	RING, E- 6	1	1	1	1				
140-1	2	22276-000060	RING, E- 6	1	1	1	1				R
		(A=EXXXXX) (B=EXXXXX) (C=EXXXXX) (D=EXXXXX)									
141	2	22272-000100	RING, E-10	1	1	1	1				
141-1	2	22276-000100	RING, E-10	1	1	1	1				R
		(A=EXXXXX) (B=EXXXXX) (C=EXXXXX) (D=EXXXXX)									
142	2	22351-030025	PIN, SPRING 3.0X25	1	1	1	1				
143	2	22351-050020	PIN, SPRING 5.0X20	2	2	2	2				
144	2	22372-050000	PIN, SNAP 5	1	1	1	1				
145	2	22453-060000	WIRE, 0.6	3	3	3	3				
145-1	2	120325-61100	WIRE, 1.0	3	3	3	3				N
		(A=EXXXXX) (B=EXXXXX) (C=EXXXXX) (D=EXXXXX)									
146	2	23887-100002	PLUG, 10	1	1	1	1				
147	2	23887-120002	PLUG, 12	1	1	1	1				
148	2	24311-000110	O-RING, 1AP11.0	1	1	1	1				
149	2	26106-060122	BOLT, M6X 12 PLATED	4	4	4	4				
150	2	26106-060122	BOLT, M6X 12 PLATED	1	1	1	1				
151	2	26106-060222	BOLT, M6X 22 PLATED	6	6	6	6				
152	2	26106-060302	BOLT, M6X 30 PLATED	3	3	3	3				
153	2	26106-060402	BOLT, M6X 40 PLATED	1	1	1	1				
154	2	26116-060306	BOLT, M6X 30 PLATED	1	1	1	1				
155	2	26376-120002	NUT, M12	1	1	1	1				
156	2	26667-080002	NUT, CAP M8	1	1	1	1				Z
		(A=EXXXXX) (B=EXXXXX) (C=EXXXXX) (D=EXXXXX)									
157	2	26756-080002	NUT, LOCK M8	1	1	1	1				
158	2	26911-080402	SCREW, M8X40	1	1	1	1				
158-1	2	26106-080122	BOLT, M8X 12 PLATED	1	1	1	1				R
		(A=EXXXXX) (B=EXXXXX) (C=EXXXXX) (D=EXXXXX)									
159	2	127695-61551	IDLE ASSY	1	1	1	1				W
		(A=EXXXXX) (B=EXXXXX) (C=EXXXXX) (D=EXXXXX)									
164	2	129100-61930	NUT, CAP	1	1	1	1				W

Fig.43. GOVERNOR



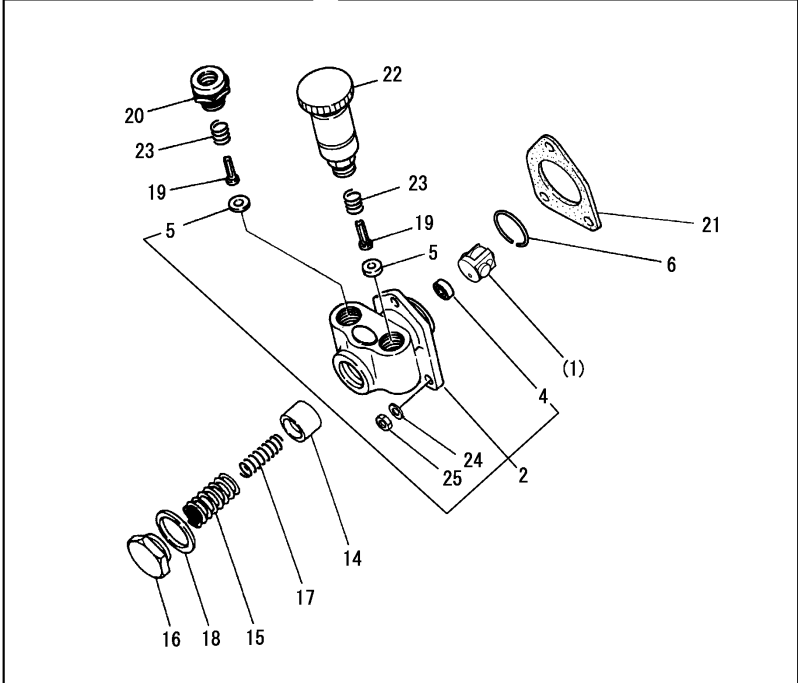
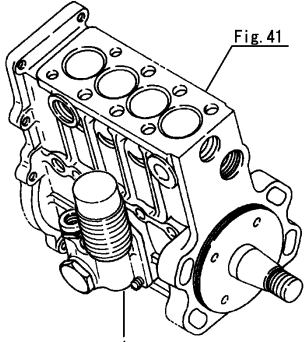
(A)=4LHA-STE(P)  
 (B)=4LHA-STZE(P)  
 (C)=4LHA-DTE(P)  
 (D)=4LHA-DTZE(P)  
 (E)=4LHA-HTE(P)  
 (F)=4LHA-HTZE(P)

No.	Lev.	Parts No.	Description	Q'ty						I	R
				(A)	(B)	(C)	(D)	(E)	(F)		
		(A=EXXXXX) (B=EXXXXX) (C=EXXXXX) (D=EXXXXX)									
165	2	26777-120002	NUT, LOCK M12	1	1	1	1				W
		(A=EXXXXX) (B=EXXXXX) (C=EXXXXX) (D=EXXXXX)									

- Remarks  
 (1)Pitch 51  
 (2)Pitch 52  
 (3)Pitch 53  
 (4)Pitch 51.5  
 (5)Pitch 52.5  
 (6)Pitch 53.5

Fig.44. FUEL FEED PUMP

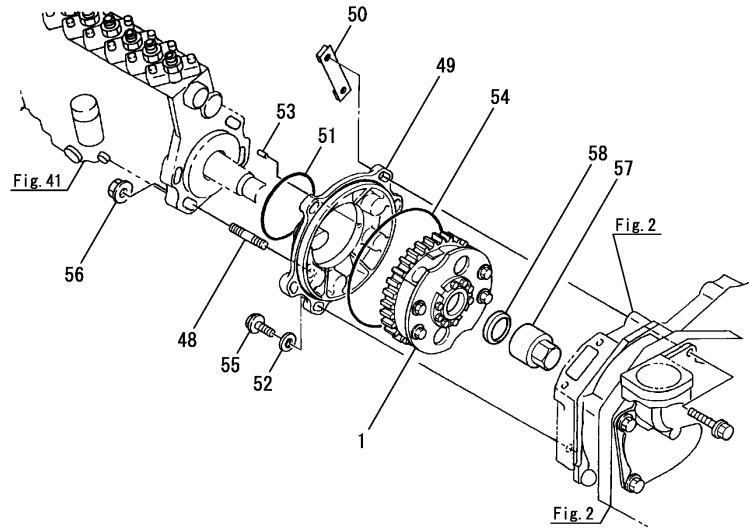
(A)=4LHA-STE(P) (D)=4LHA-DTZE(P)  
 (B)=4LHA-STZE(P) (E)=4LHA-HTE(P)  
 (C)=4LHA-DTE(P) (F)=4LHA-HTZE(P)



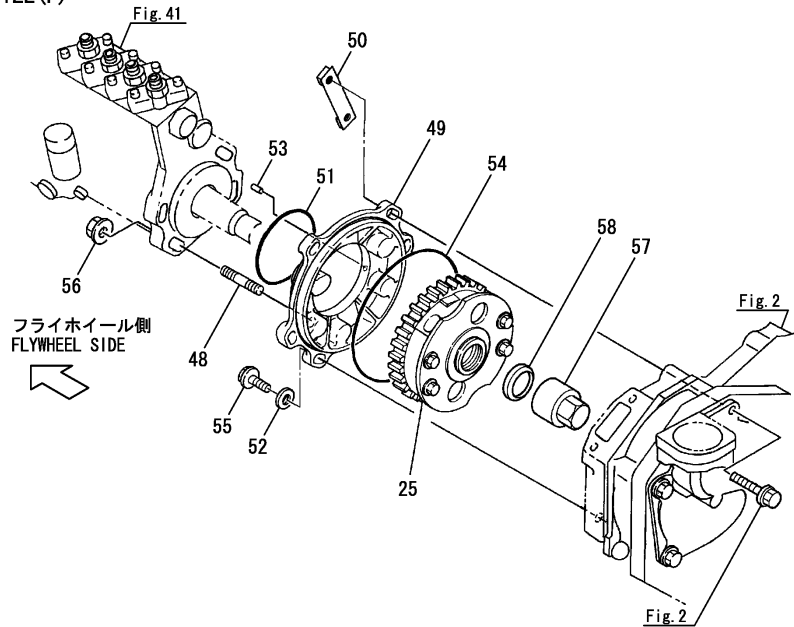
No.	Lev.	Parts No.	Description	Q'ty						I	R
				(A)	(B)	(C)	(D)	(E)	(F)		
1	1	119593-52000	PUMP ASSY, FUEL FEED	1	1	1	1				
2	2	121820-52020	BODY ASSY, PUMP	1	1	1	1				
4	3	121820-52040	SEAL, OIL	1	1	1	1				
5	3	121820-52050	GASKET	2	2	2	2				
6	2	121820-52070	PIN	1	1	1	1				
14	2	135200-52170	PISTON	1	1	1	1				
15	2	119588-52180	SPRING, VALVE	1	1	1	1				
16	2	119588-52190	RETAINER, SPRING	1	1	1	1				
17	2	119593-52180	SPRING, VALVE	1	1	1	1				
18	2	121820-52200	GASKET, 25	1	1	1	1				
19	2	121820-52210	VALVE	2	2	2	2				
20	2	121820-52230	RETAINER, SPRING	1	1	1	1				
21	2	124410-51861	GASKET	1	1	1	1				
22	2	121820-52300	PUMP, PRIMING	1	1	1	1				
23	2	121820-52510	SPRING, VALVE	2	2	2	2				
24	2	22217-060000	WASHER, SPRING 6	3	3	3	3				
25	2	26716-060002	NUT, M6	3	3	3	3				

Fig.45. TIMER

4LHA-STE(P)  
4LHA-STZE(P)



4LHA-DTE(P)  
4LHA-DTZE(P)



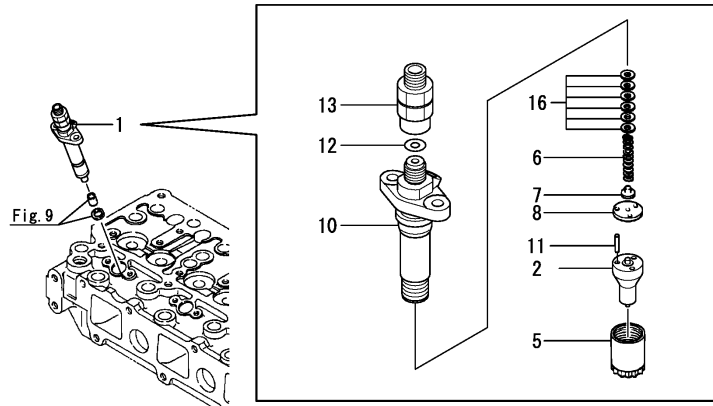
(A)=4LHA-STE(P) (D)=4LHA-DTZE(P)  
(B)=4LHA-STZE(P) (E)=4LHA-HTE(P)  
(C)=4LHA-DTE(P) (F)=4LHA-HTZE(P)

No.	Lev.	Parts No.	Description	Qty						I	R
				(A)	(B)	(C)	(D)	(E)	(F)		
1	1	719175-54800	TIMER ASSY	1	1						
1-1	1	719175-54801	TIMER ASSY	1	1						N
		(A=E50831) (B=EA0543)									
1-2	1	719175-54102	TIMER ASSY(4LH-STE	1	1						R
		(A=EXXXXX) (B=EXXXXX)									
25	1	719588-54800	TIMER ASSY			1	1				
25-1	1	719588-54100	TIMER ASSY			1	1				R
		(C=EXXXXX) (D=EXXXXX)									
48	1	121850-01900	STUD, SB10X32	4	4	4	4				
48-1	1	26226-100322	STUD, M10X 32	4	4	4	4				R
		(A=EXXXXX) (B=EXXXXX) (C=EXXXXX) (D=EXXXXX)									
49	1	119000-25910	BRACKET, PUMP	1	1	1	1				
50	1	119000-25920	RETAINER	1	1	1	1				
51	1	124410-51960	O-RING	1	1	1	1				
52	1	106100-55800	WASHER	3	3	3	3				
53	1	22351-050012	PIN, SPRING 5.0X12	1	1	1	1				
54	1	24341-001350	O-RING, 1AS135.0	1	1	1	1				
55	1	26106-080252	BOLT, M8X 25 PLATED	3	3	3	3				
56	1	26306-100002	NUT, M10	4	4	4	4				
57	1	144606-54900	NUT, CAP	1	1	1	1				
58	1	144606-54910	WASHER	1	1	1	1				

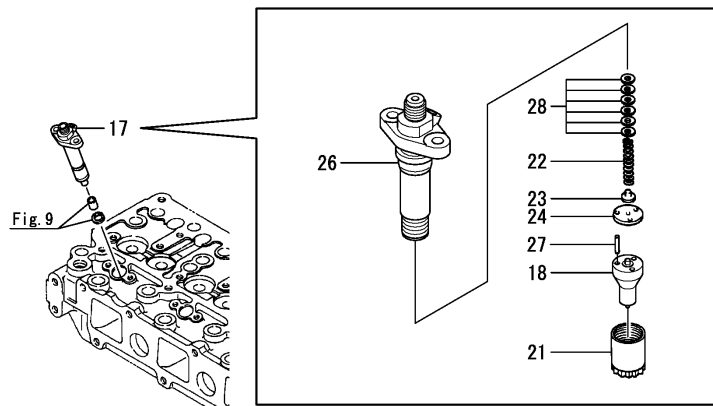
Fig.46. FUEL INJECTION VALVE

(A)=4LHA-STE(P)  
 (B)=4LHA-STZE(P)  
 (C)=4LHA-DTE(P)  
 (D)=4LHA-DTZE(P)  
 (E)=4LHA-HTE(P)  
 (F)=4LHA-HTZE(P)

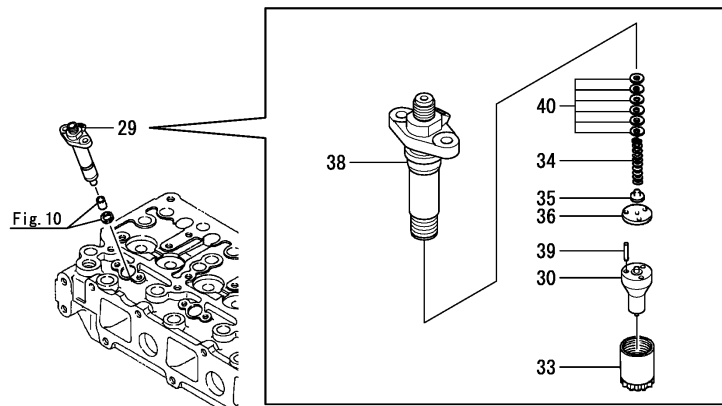
4LHA-STE (P)  
 4LHA-STZE (P)



4LHA-DTE (P)  
 4LHA-DTZE (P)



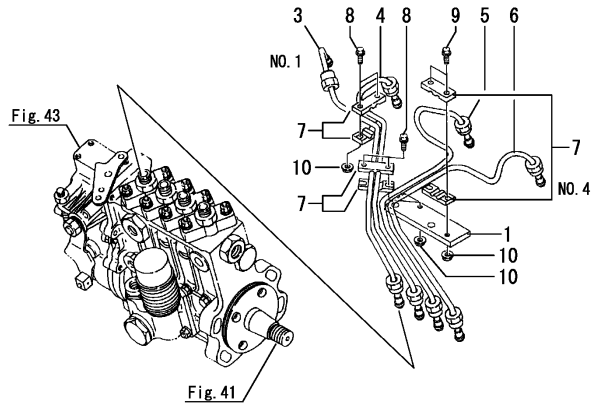
4LHA-HTE (P)  
 4LHA-HTZE (P)



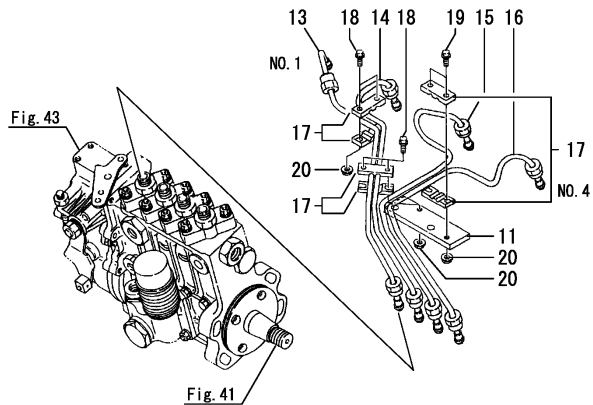
No.	Lev.	Parts No.	Description	Q'ty						I	R
				(A)	(B)	(C)	(D)	(E)	(F)		
1	1	719175-53200	VALVE ASSY,INJECTION	4	4						
2	2	119175-53050	VALVE ASSY,INJECTION	4	4						
5	2	114250-53080	NUT, NOZZLE D16.95	4	4						
6	2	119593-53120	SPRING, NOZZLE	4	4						
7	2	114250-53130	SEAT, SPRING	4	4						
8	2	114250-53140	PLATE	4	4						
10	2	129470-11920	GASKET	4	4						
10-1	2	129685-11930	GASKET, NOZZLE	4	4						R
		(A=EXXXXX) (B=EXXXXX)									
11	2	114250-53210	PIN	8	8						
12	2	119594-53290	GASKET	4	4						
13	2	119175-53300	JOINT ASSY	4	4						
16	2	114250-53400	SHIM SET	4	4						
17	1	719173-53200	VALVE ASSY,INJECTION			4	4				
18	2	119173-53050	VALVE ASSY,INJECTION			4	4				
21	2	114250-53080	NUT, NOZZLE D16.95			4	4				
22	2	114250-53120	SPRING, NOZZLE			4	4				
23	2	114250-53130	SEAT, SPRING			4	4				
24	2	114250-53140	PLATE			4	4				
26	2	129470-11920	GASKET			4	4				
26-1	2	129685-11930	GASKET, NOZZLE			4	4				R
		(C=EXXXXX) (D=EXXXXX)									
27	2	114250-53210	PIN			8	8				
28	2	114250-53400	SHIM SET			4	4				
29	1	719172-53200	VALVE ASSY,INJECTION					4	4		
30	2	119172-53050	NOZZLE ASSY					4	4		
33	2	114250-53080	NUT, NOZZLE D16.95					4	4		
34	2	114250-53120	SPRING, NOZZLE					4	4		
35	2	114250-53130	SEAT, SPRING					4	4		
36	2	114250-53140	PLATE					4	4		
38	2	129470-11920	GASKET					4	4		
38-1	2	129685-11930	GASKET, NOZZLE					4	4		R
		(E=EXXXXX) (F=EXXXXX)									
39	2	114250-53210	PIN					8	8		
40	2	114250-53400	SHIM SET					4	4		

Fig.47. FUEL INJECTION PIPE

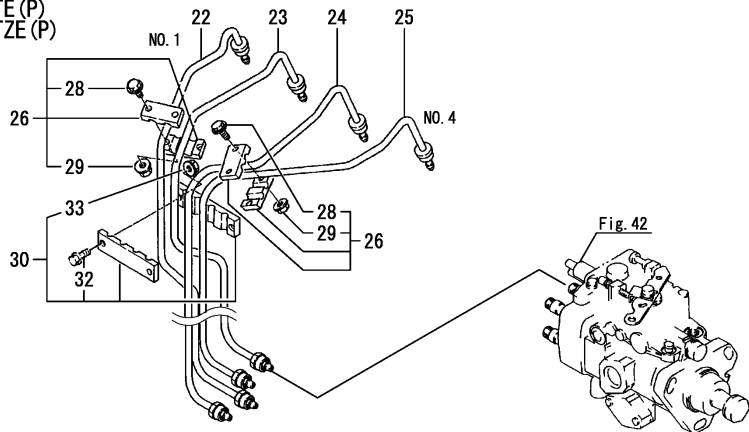
4LHA-STE (P)  
4LHA-STZE (P)



4LHA-DTE (P)  
4LHA-DTZE (P)



4LHA-HTE (P)  
4LHA-HTZE (P)

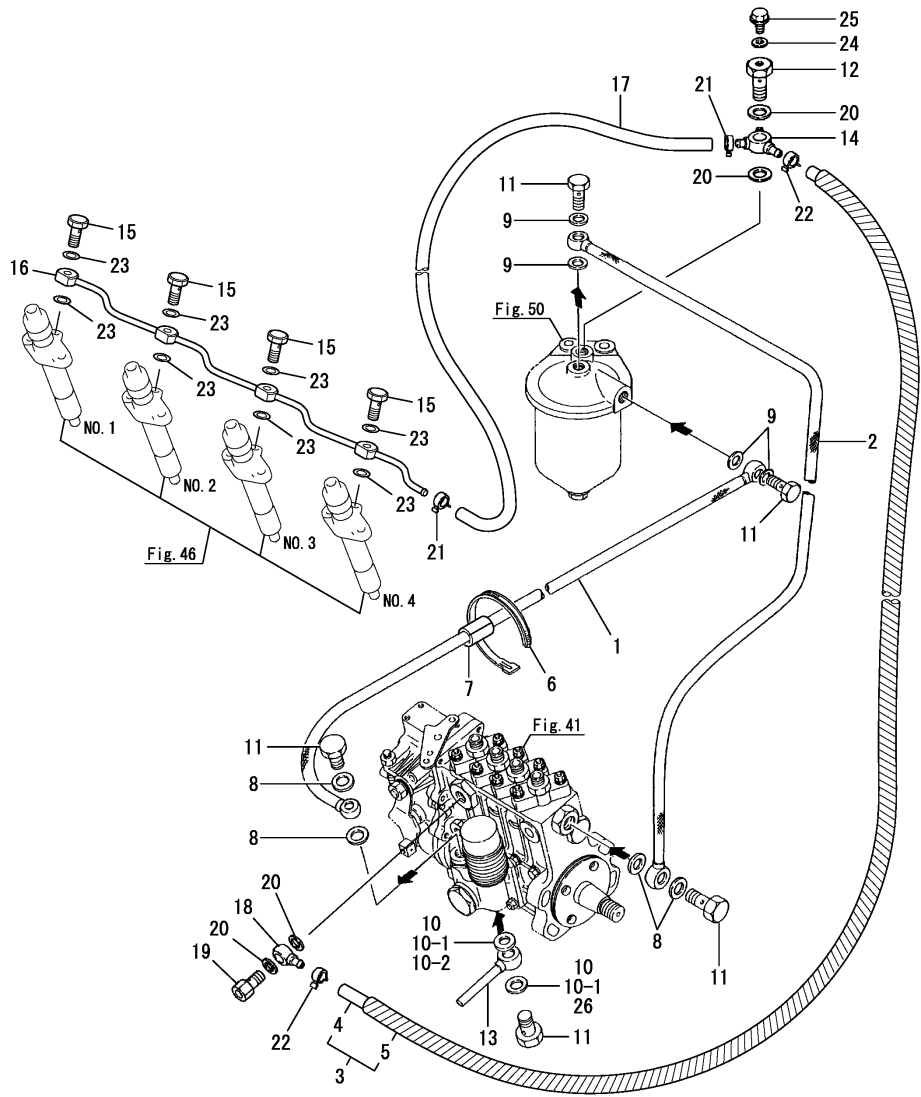


(A)=4LHA-STE(P)  
(B)=4LHA-STZE(P)  
(C)=4LHA-DTE(P)

(D)=4LHA-DTZE(P)  
(E)=4LHA-HTE(P)  
(F)=4LHA-HTZE(P)

No.	Lev.	Parts No.	Description	Q'ty						I	R
				(A)	(B)	(C)	(D)	(E)	(F)		
1	1	119181-59120	BRACKET	1	1						
1-1	1	119181-59130	BRACKET	1	1						N
		(A=E52121) (B=*2001.06)									
1-2	1	119181-59120	BRACKET	1	1						R
		(A=EXXXXX) (B=EXXXXX)									
3	1	119181-59811	PIPE ASSY, INJECTION	1	1						
4	1	119181-59821	PIPE ASSY, INJECTION	1	1						
5	1	119181-59831	PIPE ASSY, INJECTION	1	1						
6	1	119181-59841	PIPE ASSY, INJECTION	1	1						
7	1	122780-59100	RETAINER	6	6						
8	1	26106-060202	BOLT, M6X 20 PLATED	4	4						
9	1	26106-060252	BOLT, M6X 25 PLATED	2	2						
10	1	26366-060002	NUT, M6	4	4						
11	1	119181-59130	BRACKET			1	1				
11-1	1	119181-59120	BRACKET			1	1				R
		(C=EXXXXX) (D=EXXXXX)									
13	1	119173-59810	PIPE ASSY, INJECTION			1	1				
14	1	119173-59820	PIPE ASSY, INJECTION			1	1				
15	1	119173-59830	PIPE ASSY, INJECTION			1	1				
16	1	119173-59840	PIPE ASSY, INJECTION			1	1				
17	1	122780-59100	RETAINER			6	6				
18	1	26106-060202	BOLT, M6X 20 PLATED			4	4				
19	1	26106-060252	BOLT, M6X 25 PLATED			2	2				
20	1	26366-060002	NUT, M6			2	2				
22	1	119172-59810	PIPE ASSY, INJECTION							1	1
23	1	119172-59820	PIPE ASSY, INJECTION							1	1
24	1	119172-59830	PIPE ASSY, INJECTION							1	1
25	1	119172-59840	PIPE ASSY, INJECTION							1	1
26	1	122780-59080	RETAINER ASSY							2	2
28	2	26106-060202	BOLT, M6X 20 PLATED							4	4
29	2	26366-060002	NUT, M6							4	4
30	1	123472-59090	RETAINER ASSY							1	1
32	2	26106-060202	BOLT, M6X 20 PLATED							2	2
33	2	26366-060002	NUT, M6							2	2

Fig.48. FUEL PIPE(4LHA-ST/DT(Z)E(P))



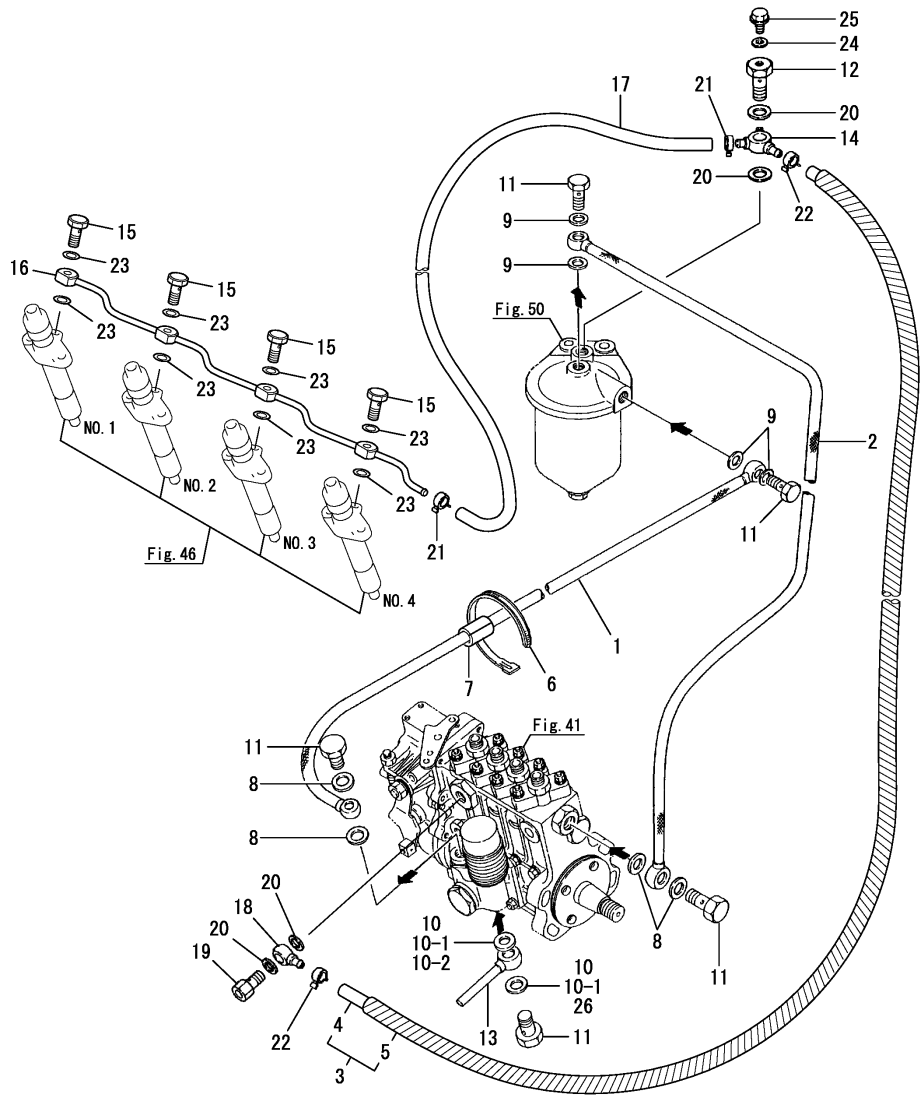
(A)=4LHA-STE(P)  
 (B)=4LHA-STZE(P)  
 (C)=4LHA-DTE(P)  
 (D)=4LHA-DTZE(P)  
 (E)=4LHA-HTE(P)  
 (F)=4LHA-HTZE(P)

No.	Lev.	Parts No.	Description	Qty						I	R
				(A)	(B)	(C)	(D)	(E)	(F)		
1	1	119187-59011	PIPE, FUEL	1	1						
1-1	1	119187-59012	PIPE, FUEL	1	1	1	1				N
		(A=E50514) (B=EA0421)									
1-2	1	119187-59013	PIPE, FUEL	1	1	1	1				N
		(A=EXXXXX) (B=EXXXXX) (C=EXXXXX) (D=EXXXXX)									
2	1	119187-59020	PIPE, FUEL	1	1						
2-1	1	119187-59021	PIPE, FUEL	1	1	1	1				N
		(A=E50514) (B=EA0421)									
2-2	1	119187-59022	PIPE, FUEL L=365	1	1	1	1				N
		(A=EXXXXX) (B=EXXXXX) (C=EXXXXX) (D=EXXXXX)									
3	1	119187-59530	PIPE, 7.3X13.0X500	1	1						
3-1	1	119187-59532	PIPE, FUEL	1	1						N
		(A=E50514) (B=EA0421)									
3-2	1	119173-59540	PIPE ASSY, RETURN	1	1	1	1				R
		(A=E50759) (B=EA0515)									
4	2	119187-59532	PIPE, FUEL	1	1	1	1				
5	2	119173-59460	TUBE, CORRUGATED 19	1	1	1	1				
6	1	121750-59890	BAND, 140	1	1	1	1				
7	1	124770-77940	PROTECTOR	1	1	1	1				
8	1	22190-140002	WASHER, SEAL 14	4	4	4	4				
9	1	22190-140002	WASHER, SEAL 14	4	4	4	4				
10	1	23414-140000	GASKET, 14X1.0	2	2	2	2				
10-1	1	22190-140002	WASHER, SEAL 14	2	2	2	2				N
		(A=EXXXXX) (B=EXXXXX) (C=EXXXXX) (D=EXXXXX)									
10-2	1	124450-01980	GASKET	1	1	1	1				N
		(A=FROM 1ST) (B=FROM 1ST) (C=FROM 1ST) (D=FROM 1ST)									
11	1	23857-080000	BOLT, JOINT 8	5	5	5	5				
12	1	129495-59300	BOLT, PIPE JOINT	1	1	1	1				
13	1	123325-59420	PIPE ASSY, FUEL	1	1	1	1				
14	1	129470-59530	JOINT, PIPE	1	1						
14-1	1	119175-59500	JOINT, PIPE	1	1	1	1				N
		(A=E50919) (B=EA5721)									
15	1	129491-59540	BOLT, PIPE JOINT M6	4	4	4	4				
16	1	119175-59550	PIPE ASSY, RETURN	1	1	1	1				
17	1	129495-59561	PIPE, FUEL L=190	1	1						
17-1	1	129495-59563	PIPE, FUEL	1	1						N
		(A=E50514) (B=EA0421)									
17-2	1	119175-59560	PIPE, FUEL	1	1	1	1				N
		(A=E50552) (B=EA0421)									
18	1	121750-59910	JOINT	1	1	1	1				
19	1	119181-59950	VALVE ASSY, CHECK	1	1	1	1				
20	1	22190-140002	WASHER, SEAL 14	4	4	4	4				
21	1	23000-013000	CLAMP, 13	2	2						
21-1	1	23000-016000	CLAMP, 16	2	2	2	2				N
		(A=E50514) (B=EA0421)									
21-2	1	119172-48130	CLIP, HOSE 13	2	2	2	2				R
		(A=EXXXXX) (B=EXXXXX) (C=EXXXXX) (D=EXXXXX)									
22	1	23000-013000	CLAMP, 13	2	2						
22-1	1	23000-019000	CLAMP, 19	2	2						N
		(A=E50514) (B=EA0421)									
22-2	1	23000-016000	CLAMP, 16	2	2	2	2				R

N:Old  $\xrightarrow{\text{Yes}}$  New, Q:Old  $\xrightarrow{\text{No}}$  New, R:Old  $\xrightarrow{\text{Yes}}$  New, S:Old  $\xrightarrow{\text{No}}$  New, W:Add, Z:Discontinued, F:Interchangeable by set, K:Qty Change  
 ++ CONTINUE ++  
 Copyright (C) YANMAR CO., LTD. All Rights Reserved.



Fig.48. FUEL PIPE(4LHA-ST/DT(Z)E(P))

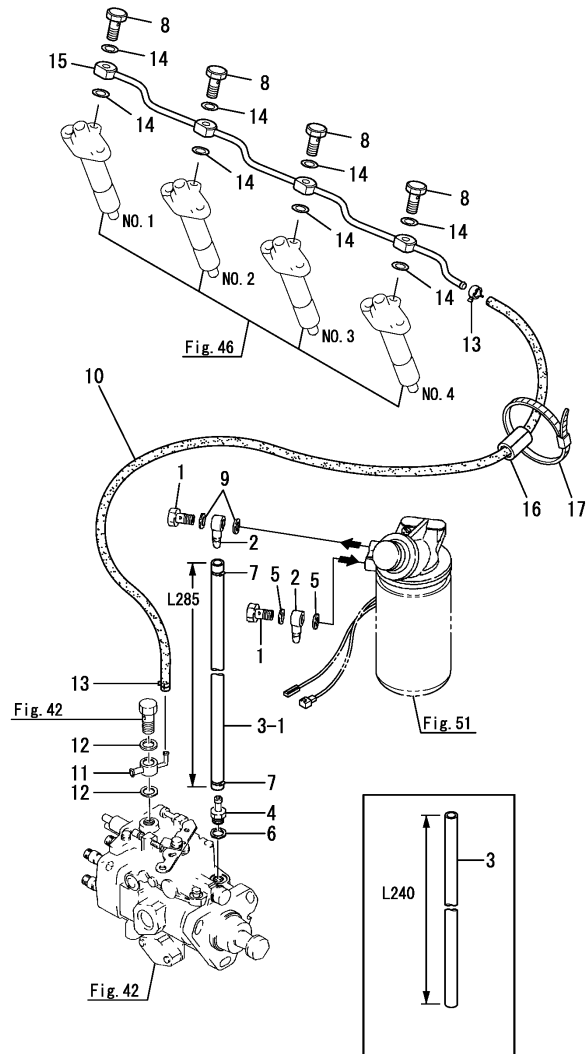


(A)=4LHA-STE(P)  
 (B)=4LHA-STZE(P)  
 (C)=4LHA-DTE(P)  
 (D)=4LHA-DTZE(P)  
 (E)=4LHA-HTE(P)  
 (F)=4LHA-HTZE(P)

No.	Lev.	Parts No.	Description	Q'ty						I	R
				(A)	(B)	(C)	(D)	(E)	(F)		
22-3	1	(A=E50552) (B=EA0421) 119172-48190	CLIP, HOSE 19	2	2	2	2				R
		(A=EXXXXX) (B=EXXXXX) (C=EXXXXX) (D=EXXXXX)									
23	1	23414-060000	GASKET, 6X1.0	8	8						
23-1	1	22190-060002	WASHER, SEAL 6	8	8	8	8				N
24	1	(A=E51029) (B=EA0624) 23414-080000	GASKET, 8X1.0	1	1						
		(A=E51029) (B=EA0624) 22190-080002	WASHER, SEAL 6	1	1	1	1				N
25	1	26106-080102	BOLT, M8X 10 PLATED	1	1	1	1				
26	1	23414-140018	GASKET, 14X1.0	1	1	1	1				W
		(A=FROM 1ST) (B=FROM 1ST) (C=FROM 1ST) (D=FROM 1ST)									

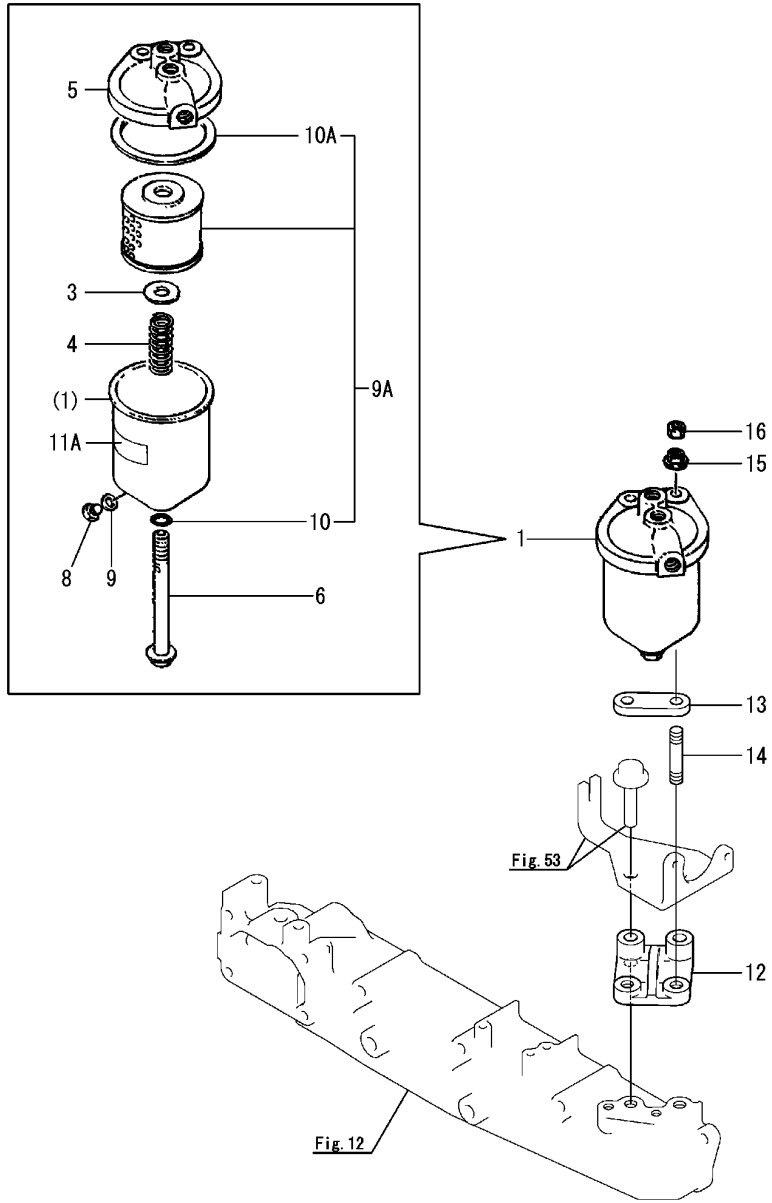
Fig.49. FUEL PIPE(4LHA-HT(Z)E(P))

(A)=4LHA-STE(P) (D)=4LHA-DTZE(P)  
 (B)=4LHA-STZE(P) (E)=4LHA-HTE(P)  
 (C)=4LHA-DTE(P) (F)=4LHA-HTZE(P)



No.	Lev.	Parts No.	Description	Q'ty						I	R
				(A)	(B)	(C)	(D)	(E)	(F)		
1	1	194256-04820	BOLT, JOINT M6					2	2		
2	1	101304-59020	JOINT, PIPE 12					2	2		
3	1	119172-59201	PIPE, FUEL					1	1		
3-1	1	119172-59210	PIPE, FUEL		(E=*2006.01)			(F=*2006.01)			S
4	1	119171-59910	JOINT, PIPE					1	1		
5	1	22190-120002	WASHER, SEAL 12					2	2		
6	1	22190-120002	WASHER, SEAL 12					1	1		
7	1	23000-019000	CLAMP, 19					2	2		
7-1	1	119172-48190	CLIP, HOSE 19		(E=EXXXXX)			(F=EXXXXX)			R
8	1	129491-59540	BOLT, PIPE JOINT M6					4	4		
9	1	22190-120002	WASHER, SEAL 12					2	2		
10	1	119182-59562	PIPE, FUEL					1	1		
11	1	119171-59990	JOINT, PIPE					1	1		
11-1	1	129901-59580	JOINT, PIPE		(E=*2002.07)			(F=*2002.07)			N
12	1	22190-120002	WASHER, SEAL 12					2	2		
12-1	1	22190-120002	WASHER, SEAL 12		(E=EXXXXX)			(F=EXXXXX)			K
13	1	23000-016000	CLAMP, 16					2	2		
13-1	1	119172-48130	CLIP, HOSE 13		(E=EXXXXX)			(F=EXXXXX)			R
14	1	22190-060002	WASHER, SEAL 6					8	8		
15	1	119175-59550	PIPE ASSY, RETURN					1	1		
16	1	124770-77940	PROTECTOR		(E=EXXXXX)			(F=EXXXXX)			W
17	1	29622-250001	BAND, RF250		(E=EXXXXX)			(F=EXXXXX)			W

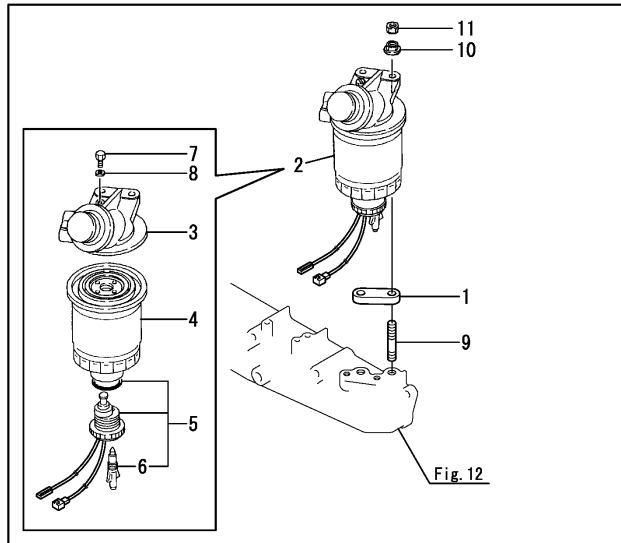
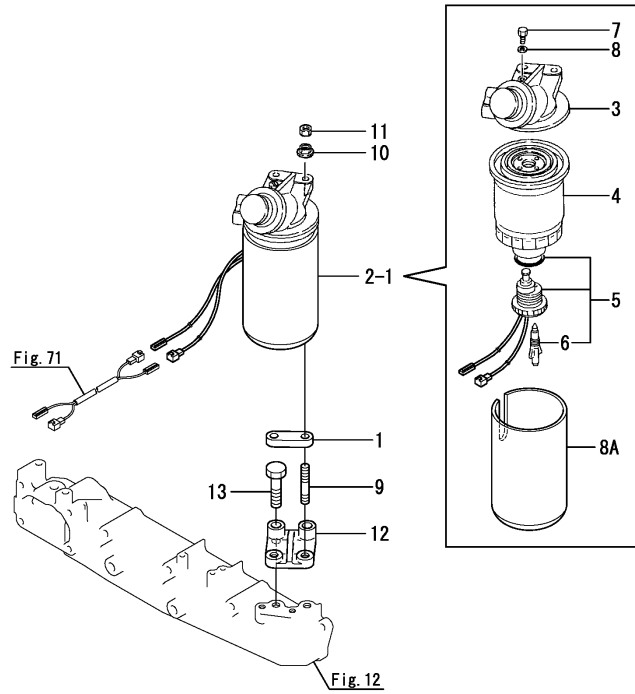
Fig.50. FUEL STRAINER(4LHA-ST/DT(Z)E(P))



(A)=4LHA-STE(P) (D)=4LHA-DTZE(P)  
 (B)=4LHA-STZE(P) (E)=4LHA-HTE(P)  
 (C)=4LHA-DTE(P) (F)=4LHA-HTZE(P)

No.	Lev.	Parts No.	Description	Q'ty						I	R
				(A)	(B)	(C)	(D)	(E)	(F)		
1	1	129495-55600	FILTER ASSY, FUEL	1	1	1	1				
2	2	123325-35140	GASKET	1	1	1	1				Z
		(A=2013.11.) (B=2013.11.) (C=2013.11.) (D=2013.11.)									
3	2	123325-35160	WASHER	1	1	1	1				
4	2	123325-35170	SPRING	1	1	1	1				
5	2	129495-55610	BODY, STRAINER	1	1	1	1				
6	2	129495-55620	BOLT	1	1	1	1				
8	2	123672-55750	PLUG, DRAIN M8	1	1	1	1				
9	2	123672-55760	GASKET	1	1	1	1				
9A	2	41650-502320	ELEMENT ASSY(D72XL90	1	1	1	1				W
		(A=2013.11.) (B=2013.11.) (C=2013.11.) (D=2013.11.)									
10	3	24311-000120	O-RING, 1AP12.0	1	1	1	1				
10A	3	123325-35140	GASKET	1	1	1	1				W
		(A=2013.11.) (B=2013.11.) (C=2013.11.) (D=2013.11.)									
11A	2	41650-501180	LABEL, CAUTION	1	1	1	1				W
		(A=EXXXXX) (B=EXXXXX) (C=EXXXXX) (D=EXXXXX)									
12	1	119175-55650	BRACKET	1	1	1	1				
13	1	119173-55700	RUBBER	1	1	1	1				
14	1	26216-100402	STUD, M10X 40	2	2	2	2				
15	1	26306-100002	NUT, M10	2	2	2	2				
16	1	26756-100002	NUT, LOCK M10	2	2	2	2				

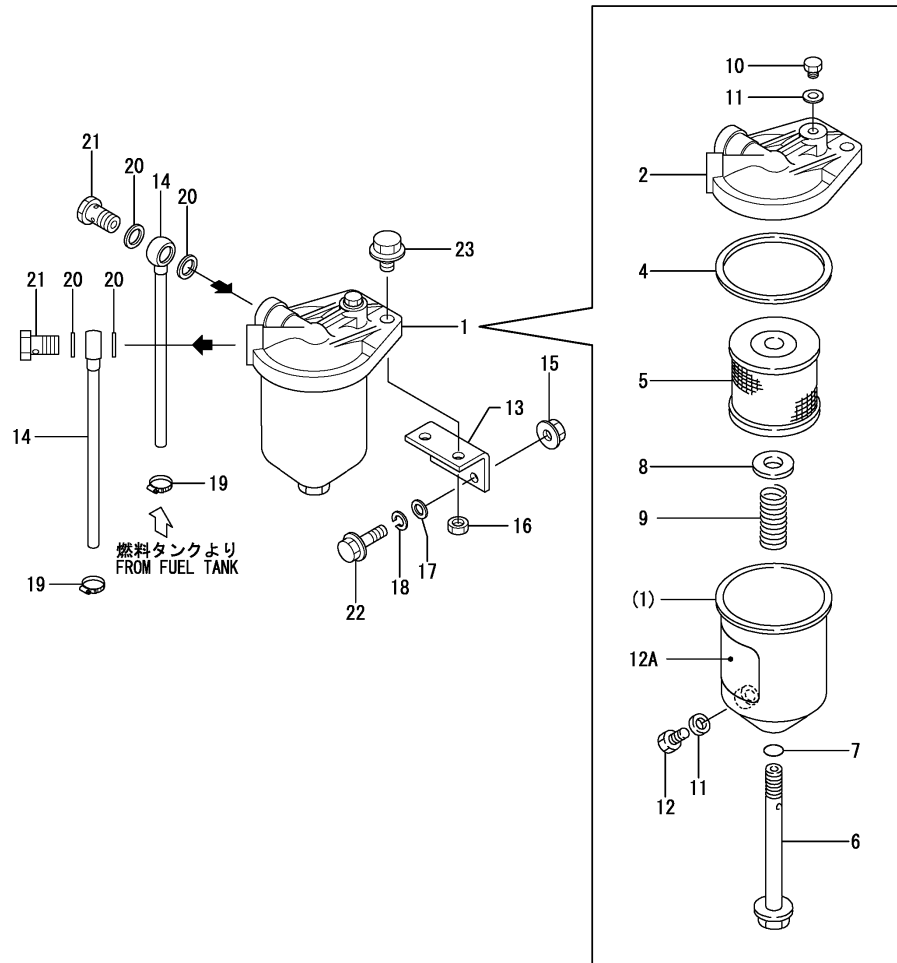
Fig.51. FUEL STRAINER(4LHA-HT(Z)E(P))



(A)=4LHA-STE(P) (D)=4LHA-DTZE(P)  
 (B)=4LHA-STZE(P) (E)=4LHA-HTE(P)  
 (C)=4LHA-DTE(P) (F)=4LHA-HTZE(P)

No.	Lev.	Parts No.	Description	Q'ty						I	R
				(A)	(B)	(C)	(D)	(E)	(F)		
1	1	119173-55700	RUBBER					1	1		
2	1	121857-55800	SEPARATOR ASSY,WATER					1	1		
2-1	1	119172-55800	FILTER ASSY, FUEL					1	1	S	
				(E="2006.01)				(F="2006.01)			
3	2	121857-55630	BODY ASSY, STRAINER					1	1		
4	2	121857-55710	FILTER, FUEL					1	1		
5	2	121857-55730	SENSOR					1	1		
6	3	121857-55740	PLUG					1	1		
7	2	121857-55750	PLUG					1	1		
8	2	121857-55760	WASHER					1	1		
8A	2	119172-55810	CASE KIT, FILTER					1	1	W	
				(E="2006.01)				(F="2006.01)			
9	1	26216-080402	STUD, M8X 40					2	2		
10	1	26306-080002	NUT, M8					2	2		
11	1	26756-080002	NUT, LOCK M8					2	2		
12	1	119172-55650	BRACKET					1	1	W	
				(E="2006.01)				(F="2006.01)			
13	1	26106-100402	BOLT, M10X 40 PLATED					2	2	W	
				(E="2006.01)				(F="2006.01)			

Fig.52. OIL/WATER SEPARATER(OPTIONAL)

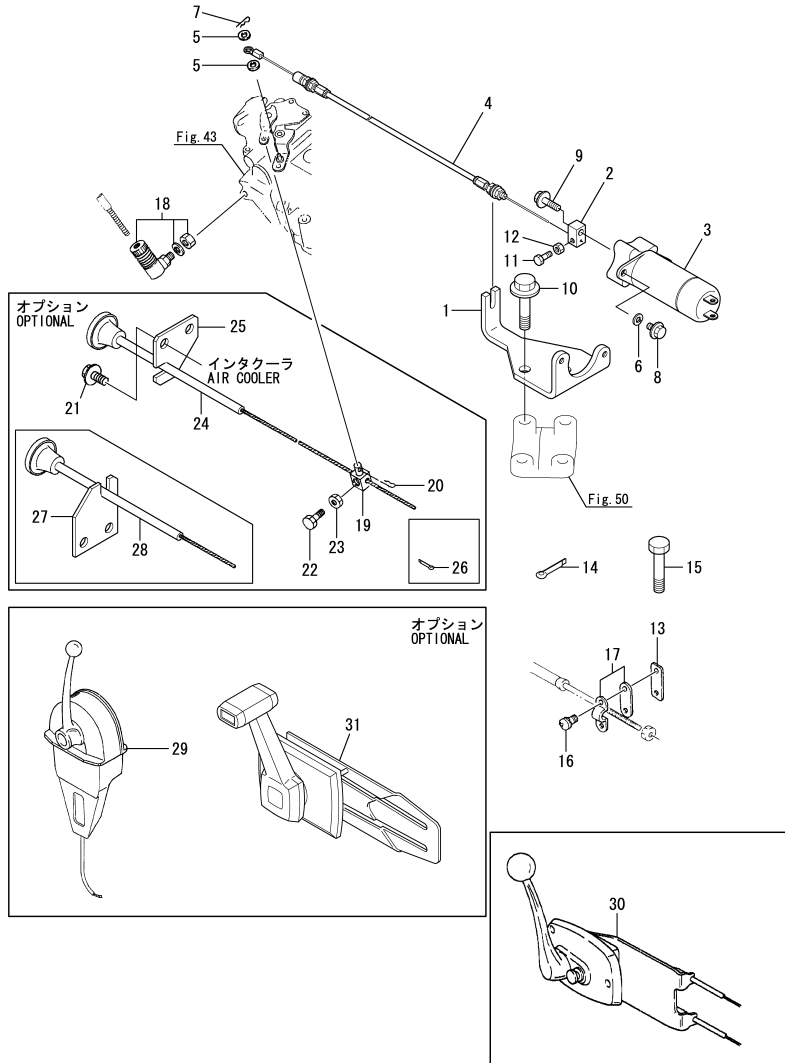


(A)=4LHA-STE(P)  
 (B)=4LHA-STZE(P)  
 (C)=4LHA-DTE(P)  
 (D)=4LHA-DTZE(P)  
 (E)=4LHA-HTE(P)  
 (F)=4LHA-HTZE(P)

No.	Lev.	Parts No.	Description	Q'ty						I	R
				(A)	(B)	(C)	(D)	(E)	(F)		
1	1	120324-55750	SEPARATOR ASSY	1	1	1	1				
1-1	1	120324-55751	SEPARATOR ASSY	1	1	1	1				N
		(A=EXXXXX) (B=EXXXXX) (C=EXXXXX) (D=EXXXXX)									
2	2	X2740134001	COVER ASSY	1	1	1	1				Z
		(A=EXXXXX) (B=EXXXXX) (C=EXXXXX) (D=EXXXXX)									
2-1	2	X2740134002	COVER ASSY	1	1	1	1				W
		(A=EXXXXX) (B=EXXXXX) (C=EXXXXX) (D=EXXXXX)									
4	2	X0582810173	GASKET	1	1	1	1				
5	2	120324-55760	ELEMENT	1	1	1	1				
6	2	X0311121522	BOLT	1	1	1	1				
7	2	X0580121073	O-RING, 1A P 12.0	1	1	1	1				
8	2	X0300120414	SEAT, SPRING	1	1	1	1				
9	2	X0600160122	SPRING	1	1	1	1				
10	2	X0314080110	PLUG	1	1	1	1				
11	2	X0588080273	WASHER	2	2	2	2				
12	2	X0313080110	BOLT	1	1	1	1				Z
		(A=EXXXXX) (B=EXXXXX) (C=EXXXXX) (D=EXXXXX)									
12-1	2	X0313080922	BOLT	1	1	1	1				W
		(A=EXXXXX) (B=EXXXXX) (C=EXXXXX) (D=EXXXXX)									
12A	2	X0993071171	LABEL, CAUTION	1	1	1	1				W
		(A=EXXXXX) (B=EXXXXX) (C=EXXXXX) (D=EXXXXX)									
13	1	123672-55811	BRACKET	1	1	1	1				
14	1	123325-59420	PIPE ASSY, FUEL	2	2	2	2				
15	1	26306-080002	NUT, M8	2	2	2	2				
16	1	26706-100002	NUT, M10	2	2	2	2				
17	1	22137-080000	WASHER, 8	2	2	2	2				
18	1	22217-080000	WASHER, SPRING 8	2	2	2	2				
19	1	23000-016000	CLAMP, 16	2	2	2	2				
19-1	1	119172-48190	CLIP, HOSE 19	2	2	2	2				N
		(A=EXXXXX) (B=EXXXXX) (C=EXXXXX) (D=EXXXXX)									
20	1	23414-140000	GASKET, 14X1.0	4	4	4	4				
21	1	23857-080000	BOLT, JOINT 8	2	2	2	2				
22	1	26106-080402	BOLT, M8X 40 PLATED	2	2	2	2				
23	1	26106-100202	BOLT, M10X 20 PLATED	2	2	2	2				

Fig.53. ENGINE STOP DEVICE(4LHA-ST/DT(Z)E(P))

(A)=4LHA-STE(P) (D)=4LHA-DTZE(P)  
 (B)=4LHA-STZE(P) (E)=4LHA-HTE(P)  
 (C)=4LHA-DTE(P) (F)=4LHA-HTZE(P)

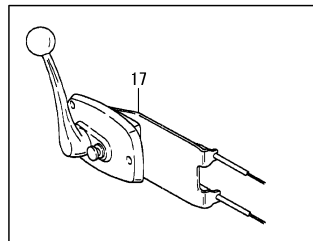
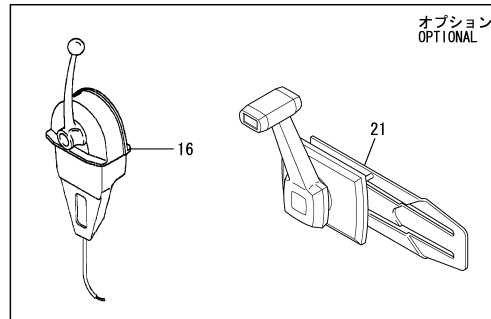
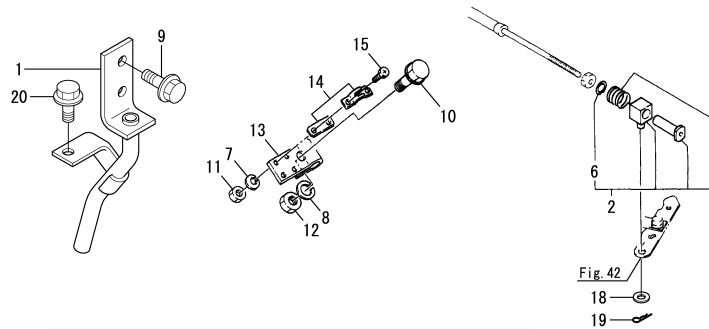


No.	Lev.	Parts No.	Description	Q'ty						I	R
				(A)	(B)	(C)	(D)	(E)	(F)		
1	1	119175-66120	BRACKET	1	1	1	1				
2	1	119175-67310	RETAINER	1	1	1	1				
3	1	129470-67320	SOLENOID, STOP 12V	1	1	1	1				
4	1	119175-67350	WIRE	1	1	1	1				
5	1	22117-060000	WASHER, 6	2	2	2	2				
5-1	1	22137-060000	WASHER, 6	2	2	2	2				R
(A=EXXXXX) (B=EXXXXX) (C=EXXXXX) (D=EXXXXX)											
6	1	22217-060000	WASHER, SPRING 6	2	2	2	2				
7	1	22360-050000	SNAP PIN 5	1	1	1	1				
8	1	26106-060102	BOLT, M6X 10 PLATED	2	2	2	2				
9	1	26106-060202	BOLT, M6X 20 PLATED	1	1	1	1				
10	1	26106-100452	BOLT, M10X 45 PLATED	2	2	2	2				
11	1	26116-050142	BOLT, M5X 14 PLATED	1	1	1	1				
12	1	26756-050002	NUT, LOCK M5	1	1	1	1				
13	1	121574-86320	RETAINER	1	1	1	1				
14	1	22414-250150	PIN, COTTER 2.5X15	1	1	1	1				
15	1	26016-080202	BOLT, M8X 20	2	2	2	2				
16	1	26022-050162	SCREW, M5X16	2	2	2	2				
17	1	41710-000410	CLAMP	1	1	1	1				
18	1	41710-001300	JOINT, BALL	1	1	1	1				
19	1	129590-67310	RETAINER	1	1	1	1				1
20	1	22360-060000	PIN, SNAP 6	1	1	1	1				W 1
(A=E50759) (B=EA0515)											
21	1	26106-080122	BOLT, M8X 12 PLATED	2	2	2	2				1
22	1	26116-050142	BOLT, M5X 14 PLATED	1	1	1	1				1
23	1	26756-050002	NUT, LOCK M5	1	1	1	1				1
23-1	1	26716-050002	NUT, M5	1	1	1	1				R 1
(A=EXXXXX) (B=EXXXXX) (C=EXXXXX) (D=EXXXXX)											
24	1	119174-67450	WIRE	1	1	1	1				W 1
(A=E50759) (B=EA0515)											
25	1	119174-67900	BRACKET	1	1	1	1				W 1
(A=E50759) (B=EA0515)											
26	1	22414-250150	PIN, COTTER 2.5X15	1	1						Z 1
(A=E50759) (B=EA0515)											
27	1	119175-66150	BRACKET	1	1						Z 1
(A=E50759) (B=EA0515)											
28	1	119175-67400	WIRE	1	1						Z 1
(A=E50759) (B=EA0515)											
29	1	41730-000681	MT-3 REMO-CON	1	1	1	1				1
30	1	128170-86500	CONTROLLER	1	1	1	1				Z 2
(A=*2001.08) (B=*2001.08) (C=*2001.08) (D=*2001.08)											
31	1	128170-86501	REMOCON HEAD (MN)	1	1	1	1				W 1
(A=*2002.04) (B=*2002.04) (C=*2002.04) (D=*2002.04)											

Remarks  
 (1)Optional.  
 (2)Out of production (since beginning of Aug 2001)  
 The compatible product is 128170-86501, but because the installation dimensions and shape differ, additional work on the hull is necessary when replacing.

Fig.54. ENGINE STOP DEVICE(4LHA-HT(Z)E(P))

(A)=4LHA-STE(P) (D)=4LHA-DTZE(P)  
 (B)=4LHA-STZE(P) (E)=4LHA-HTE(P)  
 (C)=4LHA-DTE(P) (F)=4LHA-HTZE(P)

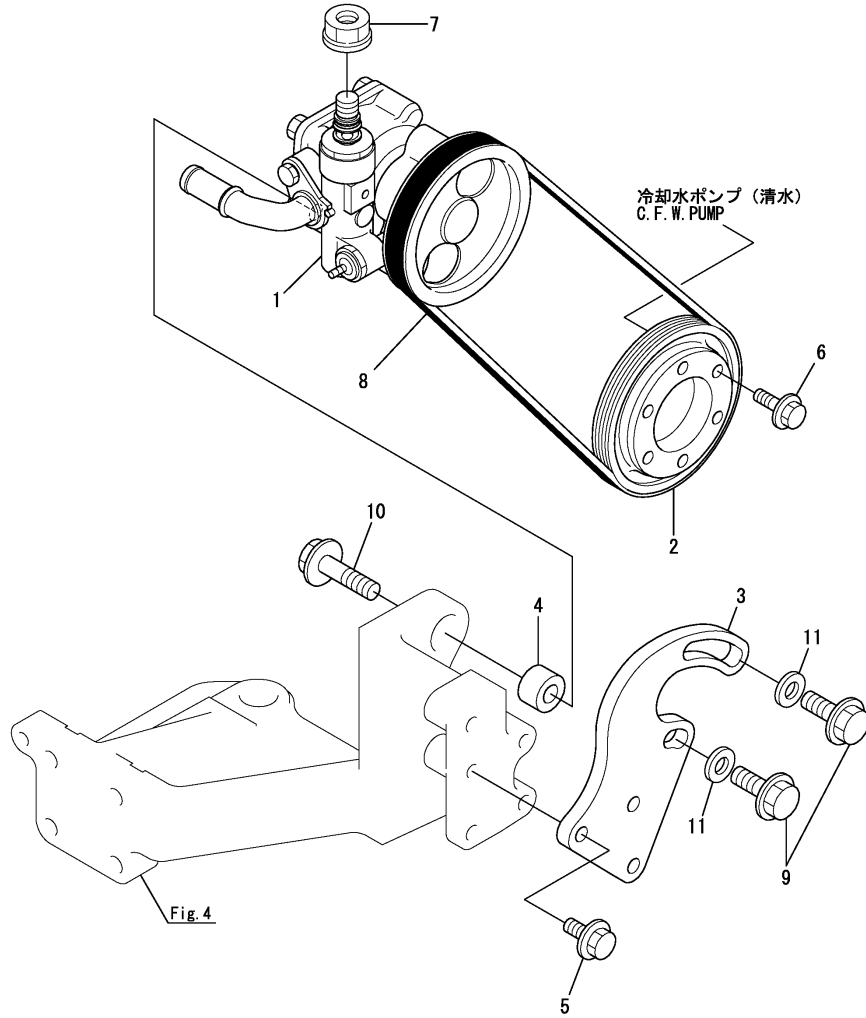


No.	Lev.	Parts No.	Description	Q'ty						I	R
				(A)	(B)	(C)	(D)	(E)	(F)		
1	1	119172-67160	BRACKET, CABLE					1	1		
2	1	105311-67200	RETAINER ASSY					1	1		
6	2	22242-000100	RING, 10					1	1		
7	1	22217-050000	WASHER, SPRING 5					2	2		
8	1	22217-080000	WASHER, SPRING 8					1	1		
9	1	26106-080162	BOLT, M8X 16 PLATED					2	2		
10	1	26106-080252	BOLT, M8X 25 PLATED					1	1		
11	1	26716-050002	NUT, M5					2	2		
12	1	26716-080002	NUT, M8					1	1		
13	1	41701-001720	BRACKET					1	1		
14	1	41710-000410	CLAMP					1	1		
15	1	26557-050122	SCREW, M5X12					2	2		
16	1	41730-000681	MT-3 REMO-CON					1	1		
17	1	128170-86500	CONTROLLER					1	1	Z	1
				(E=*2001.08)				(F=*2001.08)			
18	1	22117-060000	WASHER, 6					1	1	W	
				(E=EXXXXX)				(F=EXXXXX)			
19	1	22360-060000	PIN, SNAP 6					1	1	W	
				(E=EXXXXX)				(F=EXXXXX)			
20	1	26106-080122	BOLT, M8X 12 PLATED					1	1	W	
				(E=EXXXXX)				(F=EXXXXX)			
21	1	128170-86501	REMOCON HEAD (MN					1	1	W	
				(E=*2002.04)				(F=*2002.04)			

Remarks  
 (1) Out of production (since beginning of Aug 2001)  
 The compatible product is 128170-86501, but because the installation dimensions and shape differ, additional work on the hull is necessary when replacing.

Fig.55. POWER STEERING PUMP

(A)=4LHA-STE(P) (D)=4LHA-DTZE(P)  
 (B)=4LHA-STZE(P) (E)=4LHA-HTE(P)  
 (C)=4LHA-DTE(P) (F)=4LHA-HTZE(P)



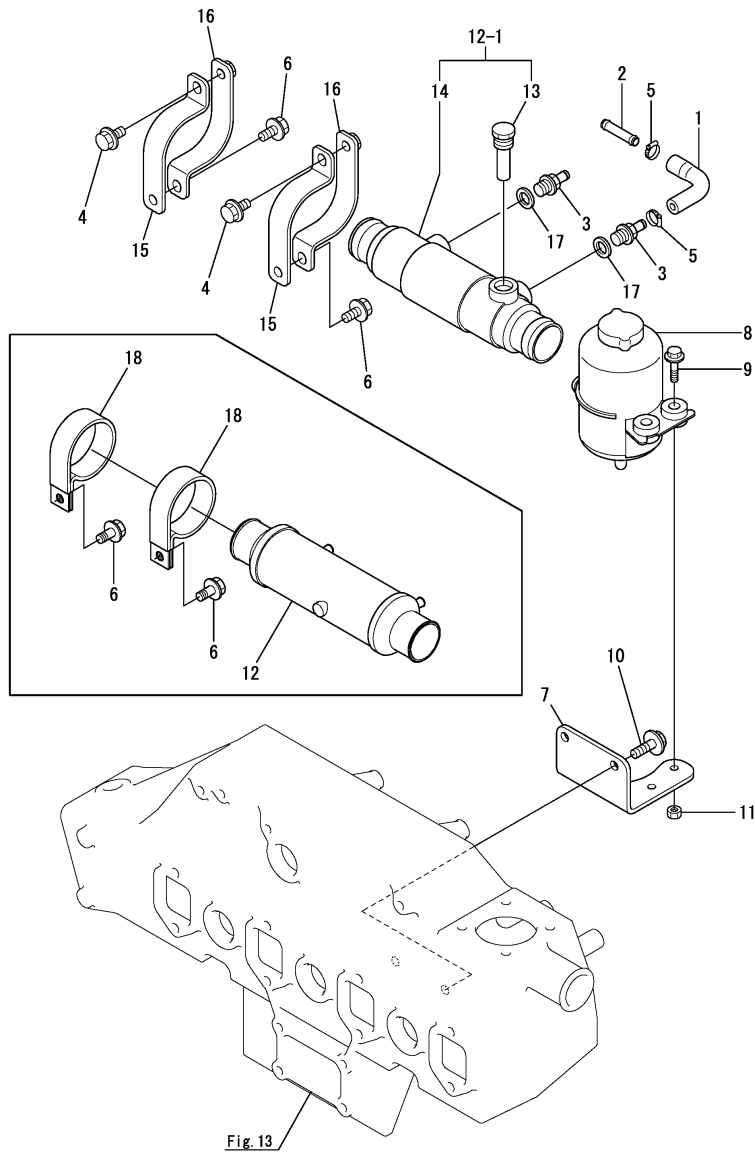
No.	Lev.	Parts No.	Description	Q'ty						I	R
				(A)	(B)	(C)	(D)	(E)	(F)		
1	1	119787-26100	PUMP, STEERING		1		1				
2	1	119175-26300	V-PULLEY		1		1				
3	1	119175-26550	ADJUSTER, BELT		1		1				
4	1	119773-77330	COLLAR		1		1				
5	1	26106-080182	BOLT, M8X 18 PLATED		3		3				
6	1	26106-100302	BOLT, M10X 30 PLATED		6		6				
7	1	26376-120002	NUT, M12		1		1				
8	1	119175-26500	V-BELT, 4PK1060		1		1				
9	1	26136-100252	BOLT, M10X 25 PLATED		2		2				
10	1	26136-100402	BOLT, M10X 40 PLATED		1		1				
11	1	22137-100000	WASHER, 10		2		2			2	W

(B=EA0624)



Fig.56. POWER STEERING COOLER & TANK

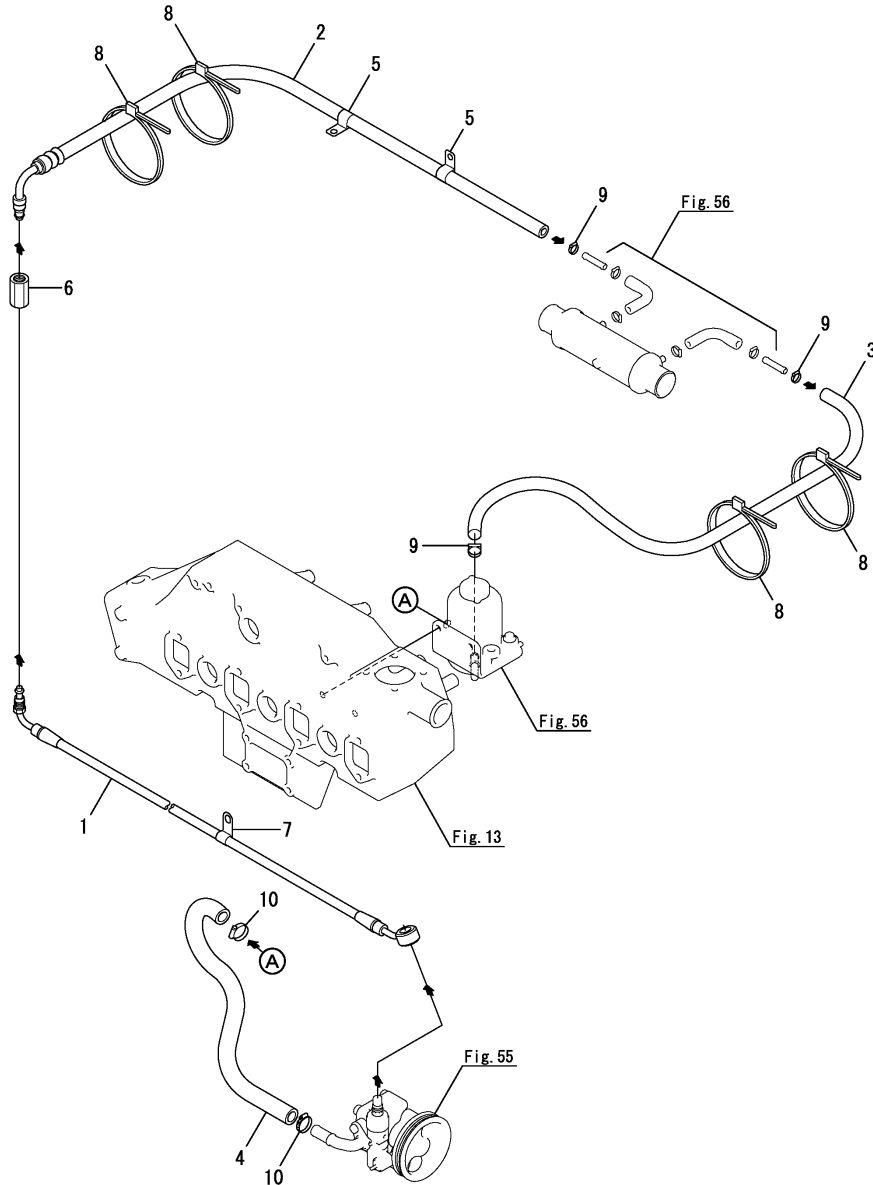
(A)=4LHA-STE(P) (D)=4LHA-DTZE(P)  
 (B)=4LHA-STZE(P) (E)=4LHA-HTE(P)  
 (C)=4LHA-DTE(P) (F)=4LHA-HTZE(P)



No.	Lev.	Parts No.	Description	Q'ty						I	R
				(A)	(B)	(C)	(D)	(E)	(F)		
1	1	119778-26620	TUBE, CORRUGATED		2		2		2		
2	1	119778-26750	JOINT		2		2		2		
3	1	121250-49110	JOINT, PIPE		2		2		2		W
4	1	26106-080162 (B=EA0615) (B=EA0615)	BOLT, M8X 16 PLATED		2		2		2		W
5	1	23000-016000	CLAMP, 16		4		4		4		
5-1	1	119172-48190 (B=EXXXXX)	CLIP, HOSE 19		4		4		4		N
6	1	26106-080202	BOLT, M8X 20 PLATED		2		2		2		
7	1	119175-26520	BRACKET		1						
7-1	1	119175-26530	BRACKET		1		1		1		N
7-2	1	119175-26520 (B=*2001.06) (B=EXXXXX)	BRACKET		1		1		1		N
8	1	196346-34860	TANK, OIL		1		1		1		
9	1	26106-060252	BOLT, M6X 25 PLATED		2		2		2		
10	1	26106-080202	BOLT, M8X 20 PLATED		2		2		2		
11	1	26716-060002	NUT, M6		2		2		2		
12	1	119773-55800	COOLER ASSY, FUEL		1						
12-1	1	119773-55750	COOLER ASSY, FUEL		1		1		1		F 1
13	2	119574-44150 (B=EA0615) (B=EA0615)	ZINC, ANTI-CORROSIVE		1		1		1		W
14	2	119773-55760 (B=EA0615)	BODY, COOLER		1		1		1		W
15	1	119773-55870 (B=EA0615)	BAND, COOLER		2		2		2		W
16	1	119773-55890 (B=EA0615)	BAND, COOLER		2		2		2		W
17	1	23414-140018 (B=EA0615)	GASKET, 14X1.0		2		2		2		W
18	1	119773-55850 (B=EA0615)	BAND, COOLER		2						Z

Remarks  
 (1) Interchangeable by simultaneous replacement with Ref.No.3,17.

# Fig.57. ATF PIPE

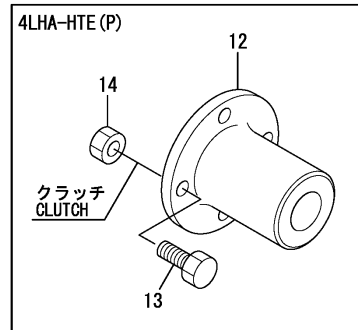
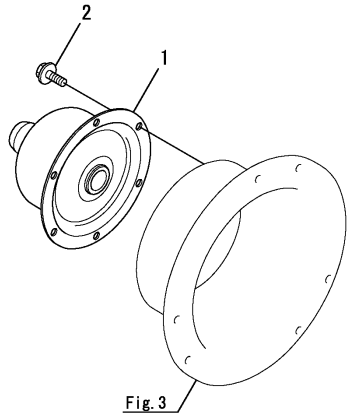


(A)=4LHA-STE(P)  
 (B)=4LHA-STZE(P)  
 (C)=4LHA-DTE(P)  
 (D)=4LHA-DTZE(P)  
 (E)=4LHA-HTE(P)  
 (F)=4LHA-HTZE(P)

No.	Lev.	Parts No.	Description	Q'ty						I	R
				(A)	(B)	(C)	(D)	(E)	(F)		
1	1	119175-26600	TUBE, CORRUGATED		1		1		1		
1-1	1	119175-26700	PIPE		1		1		1		R
		(B=EXXXXX)	(D=EXXXXX)						(F=EXXXXX)		
2	1	119175-26610	TUBE, CORRUGATED		1		1		1		
2-1	1	119175-26710	PIPE, AIR		1		1		1		R
		(B=EXXXXX)	(D=EXXXXX)						(F=EXXXXX)		
3	1	119175-26650	TUBE, CORRUGATED		1		1		1		
4	1	119175-26660	TUBE, CORRUGATED		1		1		1		
5	1	119778-26660	RETAINER		1		1		1		
6	1	119778-26800	JOINT		1		1		1		
7	1	119593-39450	RETAINER		2		2		2		
8	1	194250-51660	BAND, NYLON		4		4		4		
8-1	1	29622-250001	BAND, RF250		4		4		4		R
		(B=EXXXXX)	(D=EXXXXX)						(F=EXXXXX)		
9	1	23000-016000	CLAMP, 16		3		3		3		
9-1	1	119172-48190	CLIP, HOSE 19		3		3		3		N
		(B=EXXXXX)	(D=EXXXXX)						(F=EXXXXX)		
10	1	23000-028000	CLAMP, 28		1		1		1		
10-1	1	119172-48250	CLIP, HOSE 25		2		2		2		N
		(B=EXXXXX)	(D=EXXXXX)						(F=EXXXXX)		

# Fig.58. CLUTCH & DRIVE ATTACHMENT

(A)=4LHA-STE(P) (D)=4LHA-DTZE(P)  
 (B)=4LHA-STZE(P) (E)=4LHA-HTE(P)  
 (C)=4LHA-DTE(P) (F)=4LHA-HTZE(P)



No.	Lev.	Parts No.	Description	Q'ty						I	R
				(A)	(B)	(C)	(D)	(E)	(F)		
1	1	119778-85500	COUPLING ASSY		1		1		1		
2	1	26106-100202	BOLT, M10X 20 PLATED		6		6		6		
3	1	119173-08110	FOOT, MOUNTING			2		2			
4	1	119175-49710	HOSE, GEAR	1							
4A	1	119173-49670	HOSE, CLUTCH			1		1			
5	1	119175-49700	HOSE, GEAR	1							
5A	1	119173-49680	HOSE, CLUTCH			1					
6	1	119172-49650	HOSE, CLUTCH					1			
7	1	23000-048000	CLAMP, 48	4		4			5		
7-1	1	119172-48480	CLIP, HOSE 48						5		N
					(E=EXXXXX)						
8	1	23000-054000	CLAMP, 54	2		2			1		
8-1	1	119172-48540	CLIP, HOSE 54						1		N
					(E=EXXXXX)						
9	1	26106-100252	BOLT, M10X 25 PLATED	12		12			12		
10	1	26116-120352	BOLT, M12X 35 PLATED			8			8		
11	1	119181-49741	JOINT	2		2			2		
12	1	119171-85900	COUPLING						1		
13	1	26116-120402	BOLT, M12X 40 PLATED						4		
14	1	26716-120002	NUT, M12						4		
15	1	26106-100222	BOLT, M10X 22 PLATED	6		6			6		

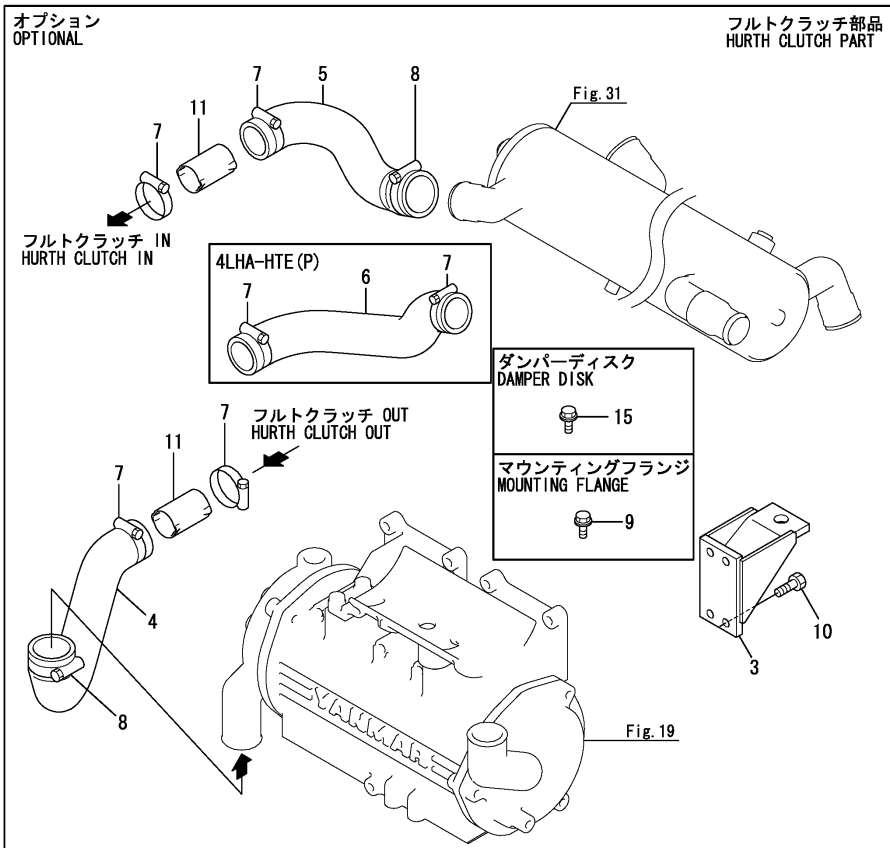
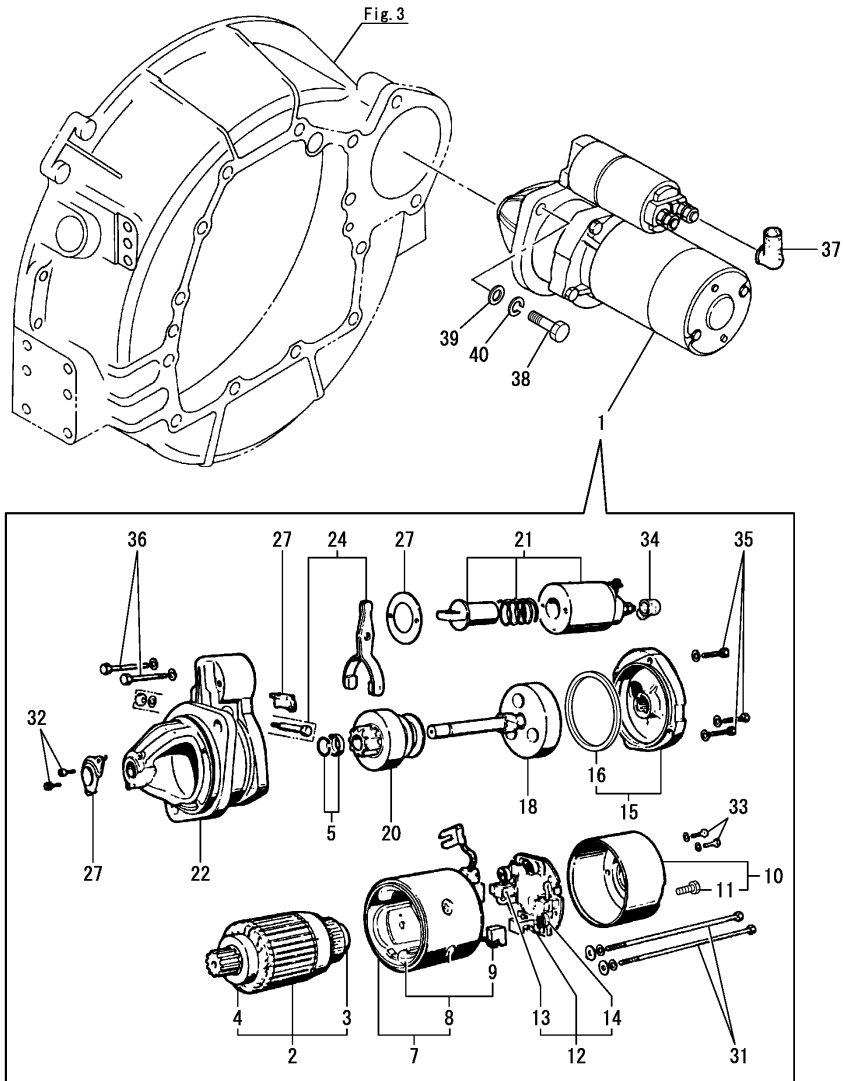


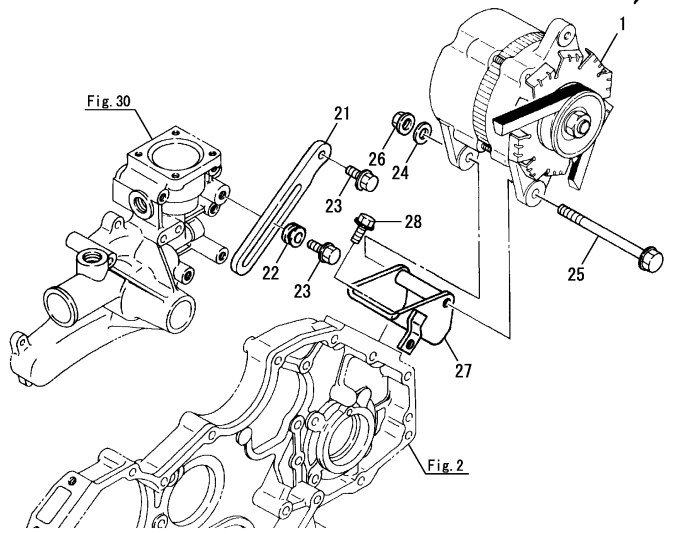
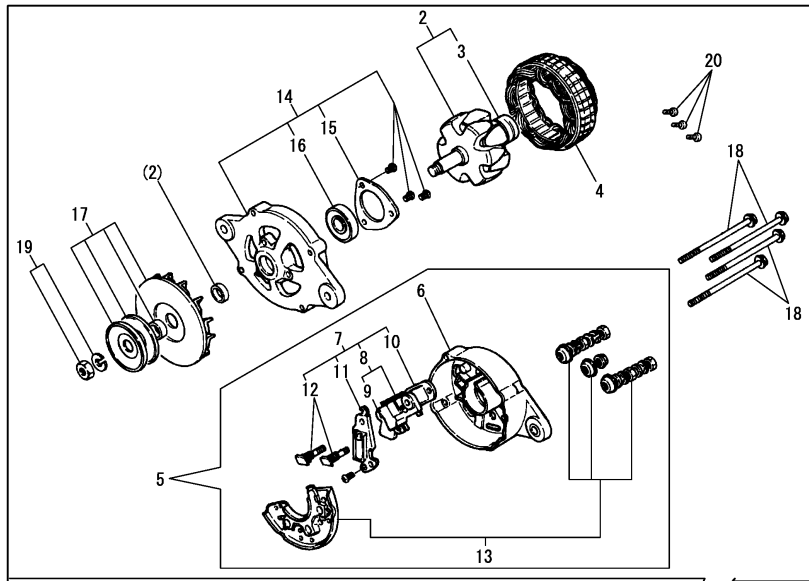
Fig.59. STARTING MOTOR



(A)=4LHA-STE(P)  
 (B)=4LHA-STZE(P)  
 (C)=4LHA-DTE(P)  
 (D)=4LHA-DTZE(P)  
 (E)=4LHA-HTE(P)  
 (F)=4LHA-HTZE(P)

No.	Lev.	Parts No.	Description	Q'ty						I	R
				(A)	(B)	(C)	(D)	(E)	(F)		
1	1	121254-77012	STARTING MOTOR(DC12V	1	1						
1-1	1	121254-77019	STARTING MOTOR(DC12V	1	1	1	1	1	1	1	N
		(A=E51203) (B=EA0660)									
2	2	121254-77402	ARMATURE ASSY	1	1	1	1	1	1	1	
3	3	121254-77410	BALL BEARING	1	1	1	1	1	1	1	
4	3	121254-77420	BALL BEARING	1	1	1	1	1	1	1	
5	2	121254-77480	STOPPER KIT, PINION	1	1	1	1	1	1	1	
7	2	121254-77511	COIL ASSY, FIELD	1	1	1	1	1	1	1	
8	3	121254-77521	COIL ASSY, FIELD	1	1	1	1	1	1	1	
9	4	121254-77541	BRUSH (+)	2	2	2	2	2	2	2	
10	2	121254-77550	COVER ASSY, REAR	1	1	1	1	1	1	1	
11	3	121254-77560	BOLT	1	1	1	1	1	1	1	
12	2	121254-77571	HOLDER ASSY	1	1	1	1	1	1	1	
13	3	121254-77581	BRUSH, -	2	2	2	2	2	2	2	
14	3	121254-77590	SPRING	4	4	4	4	4	4	4	
15	2	121254-77600	BEARING ASSY, CENTER	1	1	1	1	1	1	1	
16	3	119129-77210	SEAL, OIL	1	1	1	1	1	1	1	
18	2	121254-77640	SHAFT ASSY, GEAR	1	1	1	1	1	1	1	
20	2	121254-77661	PINION ASSY	1	1	1	1	1	1	1	
21	2	121254-77670	SWITCH, MAGNETIC	1	1						
21-1	2	121254-77671	SWITCH, MAGNETIC	1	1	1	1	1	1	1	N
		(A=E51203) (B=EA0660)									
22	2	121254-77681	CASE ASSY, GEAR	1	1	1	1	1	1	1	
24	2	121254-77700	LEVER SET, SHIFT	1	1	1	1	1	1	1	
27	2	121254-77730	DUST COVER SET	1	1	1	1	1	1	1	
31	2	121254-77770	BOLT, THROUGH	2	2	2	2	2	2	2	
32	2	26450-050122	BOLT, M5X 12	2	2	2	2	2	2	2	
33	2	121254-77790	SCREW 4	2	2	2	2	2	2	2	
34	2	121254-77810	COVER, TERMINAL	1	1	1	1	1	1	1	
35	2	26106-060302	BOLT, M6X 30 PLATED	3	3	3	3	3	3	3	
36	2	26106-060452	BOLT, M6X 45 PLATED	2	2	2	2	2	2	2	
37	1	124550-77030	COVER, TERMINAL	1	1	1	1	1	1	1	
38	1	26116-120302	BOLT, M12X 30 PLATED	2	2	2	2	2	2	2	
38-1	1	26116-120352	BOLT, M12X 35 PLATED	2	2	2	2	2	2	2	N
		(A=EXXXXX) (B=EXXXXX) (C=EXXXXX) (D=EXXXXX) (E=EXXXXX) (F=EXXXXX)									
39	1	22137-120000	WASHER, 12	2	2	2	2	2	2	2	W
		(A=EXXXXX) (B=EXXXXX) (C=EXXXXX) (D=EXXXXX) (E=EXXXXX) (F=EXXXXX)									
40	1	22217-120000	WASHER, SPRING 12	2	2	2	2	2	2	2	W
		(A=EXXXXX) (B=EXXXXX) (C=EXXXXX) (D=EXXXXX) (E=EXXXXX) (F=EXXXXX)									

Fig.60. GENERATOR(12V-60A,HITACHI)(UP TO EZZZZZ 2012.6)



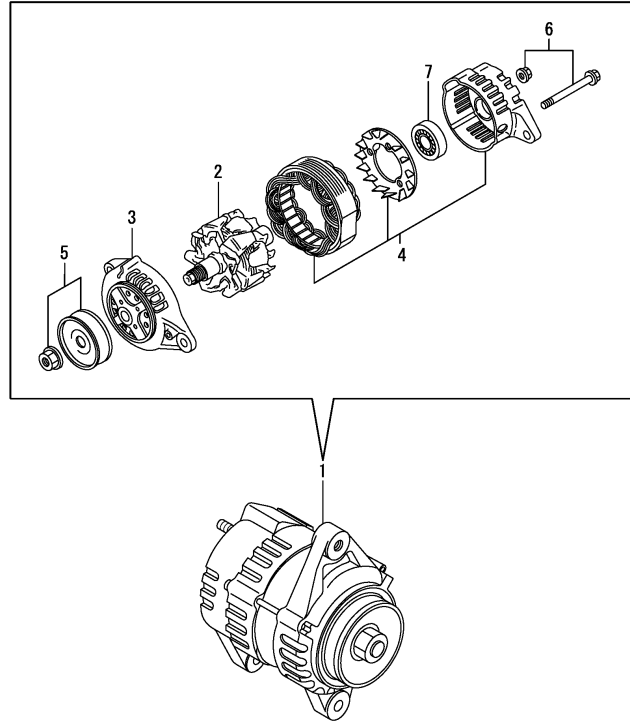
(A)=4LHA-STE(P) (D)=4LHA-DTZE(P)  
 (B)=4LHA-STZE(P) (E)=4LHA-HTE(P)  
 (C)=4LHA-DTE(P) (F)=4LHA-HTZE(P)

No.	Lev.	Parts No.	Description	Q'ty						I	R
				(A)	(B)	(C)	(D)	(E)	(F)		
1	1	129772-77200	GENERATOR(12V-55A)	1	1	1	1	1	1		
1-1	1	128271-77200	GENERATOR, 12V-60A	1	1	1	1	1	1	R	1
		(A=EXXXXX) (B=EXXXXX) (C=EXXXXX) (D=EXXXXX)		(E=EXXXXX)		(F=EXXXXX)					
1-2	1	128271-77200	GENERATOR, 12V-60A	1	1	1	1	1	1	Z	2
		(A=*2012.06) (B=*2012.06) (C=*2012.06) (D=*2012.06)		(E=*2012.06)		(F=*2012.06)					
2	2	XL15571001	ROTOR ASSY	1	1	1	1	1	1		
3	3	124080-77490	BALL BEARING	1	1	1	1	1	1		
4	2	XL15542001	STATOR ASSY	1	1	1	1	1	1		
5	2	XL155G6300	COVER ASSY, REAR	1	1	1	1	1	1		
6	3	XL22553012	COVER, REAR	1	1	1	1	1	1		
7	3	XL155G1315	REGULATOR ASSY,BRUSH	1	1	1	1	1	1		
8	4	XL2255330	BRUSH ASSY	1	1	1	1	1	1		
9	5	XL12013262	BRUSH	2	2	2	2	2	2		
10	4	XTR1Z63	REGULATOR	1	1	1	1	1	1		
11	4	XL2554318	CONDENSER ASSY	1	1	1	1	1	1		
12	4	XL13513134	BOLT M5	2	2	2	2	2	2		
13	3	XL2253320	DIODE ASSY	1	1	1	1	1	1		
14	2	XL2253400	FRONT COVER ASSY	1	1	1	1	1	1		
15	3	XL15014042	BEARING RETAINER	1	1	1	1	1	1		
16	3	X6203BM	BALL BEARING	1	1	1	1	1	1		
17	2	XL225G6500	PULLEY ASSY	1	1	1	1	1	1		
18	2	XL15018015	BOLT, THROUGH	4	4	4	4	4	4		
19	2	XL1501810	NUT ASSY, PULLEY	1	1	1	1	1	1		
20	2	XL15028001	SCREW ASSY	1	1	1	1	1	1		
21	1	119171-77330	ADJUSTER, BELT	1	1	1	1	1	1		
22	1	121236-77340	SPACER	1	1	1	1	1	1		
23	1	119005-77350	BOLT, M8X25	2	2	2	2	2	2		
24	1	22137-100000	WASHER, 10	1	1	1	1	1	1		
25	1	26116-101202	BOLT, M10X120 PLATED	1	1	1	1	1	1		
26	1	26306-100002	NUT, M10	1	1	1	1	1	1		
27	1	119175-77270	BRACKET, GENERATOR	1	1	1	1	1	1		
28	1	26106-080202	BOLT, M8X 20 PLATED	4	4	4	4	4	4		

Remarks  
 (1)Component parts:Refer to Fig.(60A)  
 (2)Interchangeable by simultaneous replacement with Fig.61A No.2,11 and wireharness.

Fig.74. (60A)GENERATOR COMPONENT PARTS(12V-60A,HITACHI)(UP TO 2012.6)

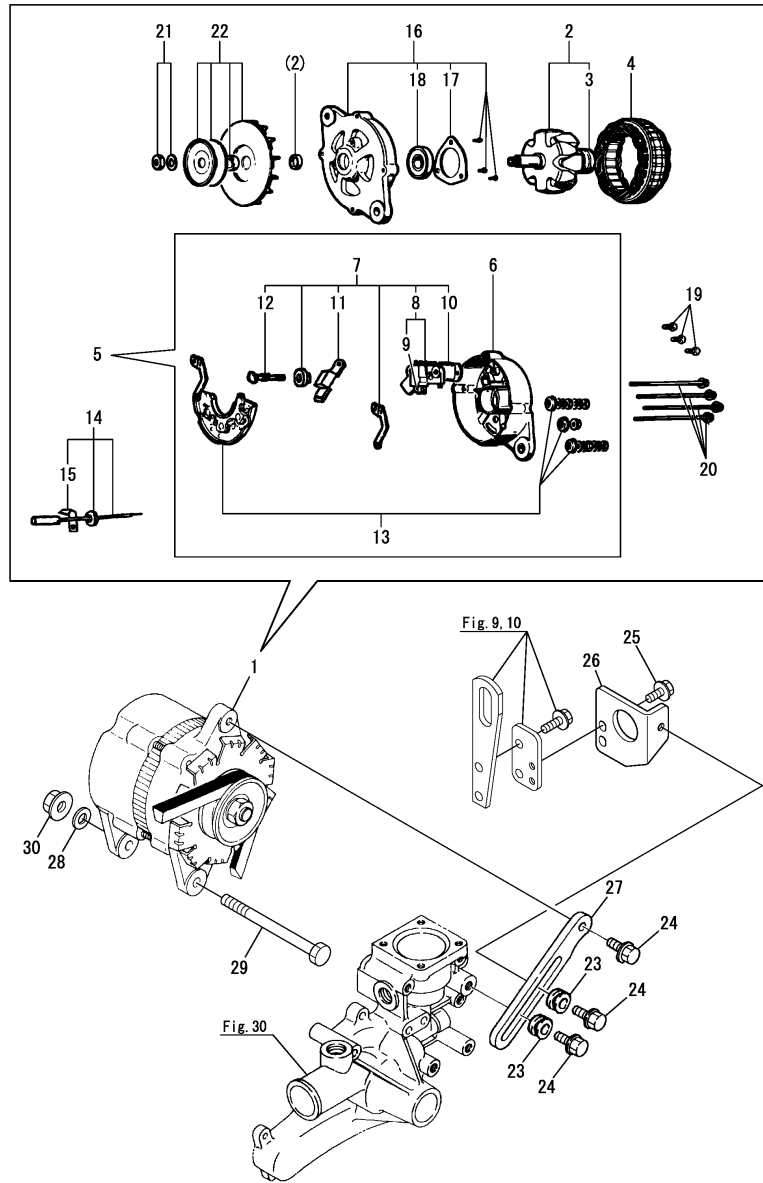
(A)=4LHA-STE(P) (D)=4LHA-DTZE(P)  
 (B)=4LHA-STZE(P) (E)=4LHA-HTE(P)  
 (C)=4LHA-DTE(P) (F)=4LHA-HTZE(P)



No.	Lev.	Parts No.	Description	Q'ty						I	R
				(A)	(B)	(C)	(D)	(E)	(F)		
1	1	128271-77200	GENERATOR, 12V-60A (A=EXXXXX) (B=EXXXXX) (C=EXXXXX) (D=EXXXXX)	1	1	1	1	1	1	1	W
1-1	1	128271-77200	GENERATOR, 12V-60A (A=*2012.06) (B=*2012.06) (C=*2012.06) (D=*2012.06)	1	1	1	1	1	1	1	Z 1
2	2	123900-77700	ROTOR ASSY	1	1	1	1	1	1		
3	2	123900-77730	BRACKET ASSY	1	1	1	1	1	1		
4	2	128271-77730	BRACKET(STATOR+REGUL	1	1	1	1	1	1		
5	2	128271-77740	PULLEY	1	1	1	1	1	1		
6	2	128271-77750	SCREW KIT	1	1	1	1	1	1		
7	2	129900-77810	BEARING, BALL	1	1	1	1	1	1		

Remarks  
 (1)Interchangeable by simultaneous replacement with Fig.61A No.2,11 and wireharness.

Fig.61. GENERATOR(12V-80A,HITACHI,OPTIONAL)(UP TO 2012.6)



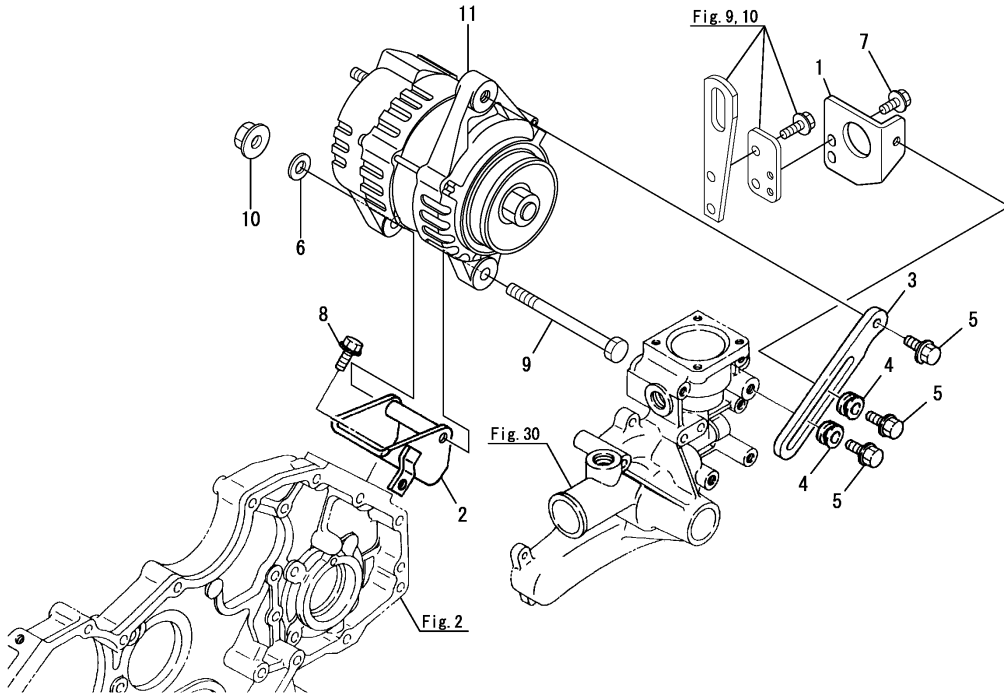
(A)=4LHA-STE(P) (D)=4LHA-DTZE(P)  
 (B)=4LHA-STZE(P) (E)=4LHA-HTE(P)  
 (C)=4LHA-DTE(P) (F)=4LHA-HTZE(P)

No.	Lev.	Parts No.	Description	Q'ty						I	R
				(A)	(B)	(C)	(D)	(E)	(F)		
1	1	119573-77201	ALTERNATER(12V-80A	1	1	1	1	1	1		
1-1	1	119573-77201	ALTERNATER(12V-80A	1	1	1	1	1	1	Z	1
		(A=*2012.06)	(B=*2012.06)	(C=*2012.06)	(D=*2012.06)	(E=*2012.06)	(F=*2012.06)				
2	2	XL180G61000	ROTOR ASSY	1	1	1	1	1	1		
3	3	119129-77320	BALL BEARING	1	1	1	1	1	1		
4	2	XL180120000	STATOR ASSY	1	1	1	1	1	1		
5	2	XL180G63006	COVER ASSY, REAR	1	1	1	1	1	1		
6	3	XL180G13012	COVER, REAR	1	1	1	1	1	1		
7	3	XL180G43150	BRUSH ASSY,REGULATOR	1	1	1	1	1	1		
8	4	XL155G1330	BRUSH ASSY	1	1	1	1	1	1		
9	4	XL225G1325	BRUSH SET	2	2	2	2	2	2		
10	4	124080-77390	REGULATOR ASSY	1	1	1	1	1	1		
11	4	XL225431800	CONDENSER ASSY	1	1	1	1	1	1		
12	4	124080-77520	BOLT M5	2	2	2	2	2	2		
13	3	XL1808320	DIODE ASY	1	1	1	1	1	1		
14	3	119129-77250	WIRE, LEAD	1	1	1	1	1	1		
15	4	119129-77260	CLAMP	1	1	1	1	1	1		
16	2	XL235340110	COVER ASSY, FRONT	1	1	1	1	1	1		
17	3	XL150M14041	RETAINER	1	1	1	1	1	1		
18	3	X6303BM0000	BEARING, BALL	1	1	1	1	1	1		
19	3	119129-77930	SCREW KIT	1	1	1	1	1	1		
20	2	119129-77890	BOLT, THROUGH	4	4	4	4	4	4		
21	2	119129-77900	NUT ASSY, PULLEY	1	1	1	1	1	1		
22	2	XL180G85001	PULLEY ASSY	1	1	1	1	1	1		
23	1	121236-77340	SPACER	1	1	1	1	1	1		W
		(A=E51115)	(B=EA0634)								
23-1	1	121236-77340	SPACER	2	2	2	2	2	2		K
		(A=EXXXXX)	(B=EXXXXX)	(C=EXXXXX)	(D=EXXXXX)	(E=EXXXXX)	(F=EXXXXX)				
24	1	119005-77350	BOLT, M8X25	1	1	1	1	1	1		W
		(A=E51115)	(B=EA0634)								
24-1	1	119005-77350	BOLT, M8X25	3	3	3	3	3	3		K
		(A=EXXXXX)	(B=EXXXXX)	(C=EXXXXX)	(D=EXXXXX)	(E=EXXXXX)	(F=EXXXXX)				
25	1	26106-080142	BOLT, M8X 14 PLATED	2	2	2	2	2	2		W
		(A=E51029)	(B=EA0624)								
26	1	119172-77150	SUPPORT	1	1	1	1	1	1		W
		(A=E51115)	(B=EA0634)								
27	1	119171-77330	ADJUSTER, BELT	1	1	1	1	1	1		W
		(A=EXXXXX)	(B=EXXXXX)	(C=EXXXXX)	(D=EXXXXX)	(E=EXXXXX)	(F=EXXXXX)				
28	1	22137-100000	WASHER, 10	1	1	1	1	1	1		W
		(A=EXXXXX)	(B=EXXXXX)	(C=EXXXXX)	(D=EXXXXX)	(E=EXXXXX)	(F=EXXXXX)				
29	1	26116-101202	BOLT, M10X120 PLATED	1	1	1	1	1	1		W
		(A=EXXXXX)	(B=EXXXXX)	(C=EXXXXX)	(D=EXXXXX)	(E=EXXXXX)	(F=EXXXXX)				
30	1	26306-100002	NUT, M10	1	1	1	1	1	1		W
		(A=EXXXXX)	(B=EXXXXX)	(C=EXXXXX)	(D=EXXXXX)	(E=EXXXXX)	(F=EXXXXX)				

Remarks  
 (1)Interchangeable by simultaneous replacement with Fig.61A No.2,11 and wireharness.

Fig.75. (61A)GENERATOR(12V-80A,BOSCH)(FROM 2012.7)

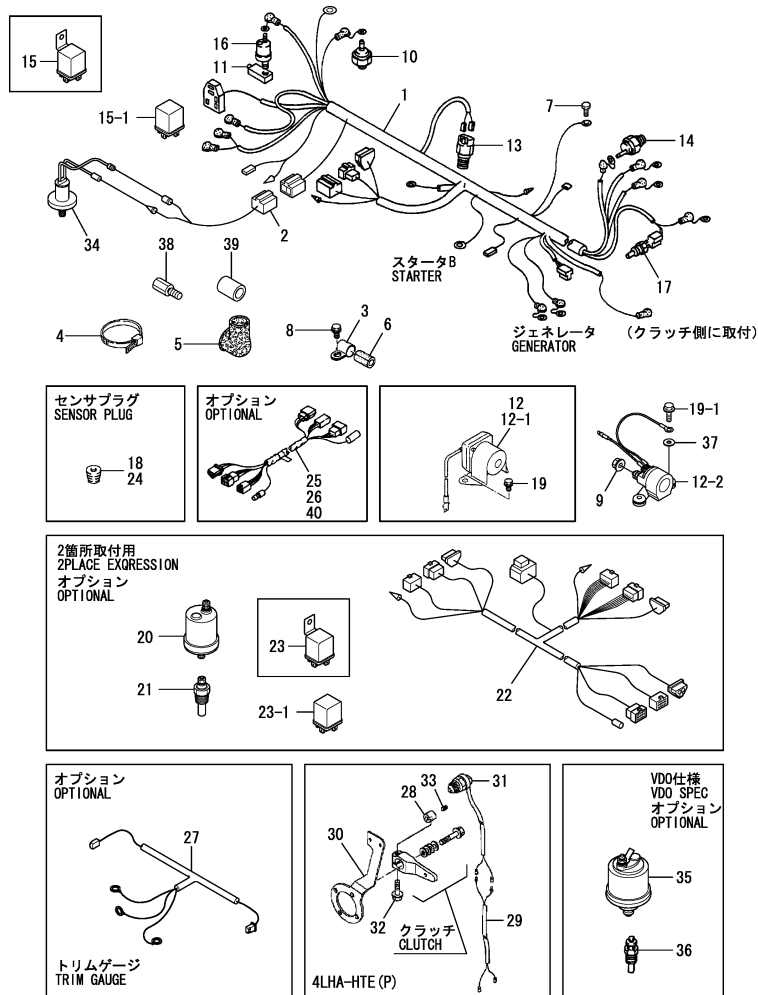
(A)=4LHA-STE(P) (D)=4LHA-DTZE(P)  
 (B)=4LHA-STZE(P) (E)=4LHA-HTE(P)  
 (C)=4LHA-DTE(P) (F)=4LHA-HTZE(P)



No.	Lev.	Parts No.	Description	Q'ty						I	R
				(A)	(B)	(C)	(D)	(E)	(F)		
1	1	119172-77150	SUPPORT	1	1	1	1	1	1		
2	1	119175-77280	BRACKET,ALTERNATOR	1	1	1	1	1	1		W
		(A=*2012.07)	(B=*2012.07)	(C=*2012.07)	(D=*2012.07)	(E=*2012.07)	(F=*2012.07)				
3	1	119171-77330	ADJUSTER, BELT	1	1	1	1	1	1		
4	1	121236-77340	SPACER	2	2	2	2	2	2		
5	1	119005-77350	BOLT, M8X25	3	3	3	3	3	3		
6	1	22137-100000	WASHER, 10	1	1	1	1	1	1		
7	1	26106-080142	BOLT, M8X 14 PLATED	2	2	2	2	2	2		
8	1	26106-080202	BOLT, M8X 20 PLATED	4	4	4	4	4	4		
9	1	26106-101102	BOLT, M10X110 PLATED	1	1	1	1	1	1		
10	1	26306-100002	NUT, M10	1	1	1	1	1	1		
11	1	129908-77200	ALTERNATOR	1	1	1	1	1	1		W
		(A=*2012.07)	(B=*2012.07)	(C=*2012.07)	(D=*2012.07)	(E=*2012.07)	(F=*2012.07)				



Fig.62. WIRE HARNESS & SENSOR

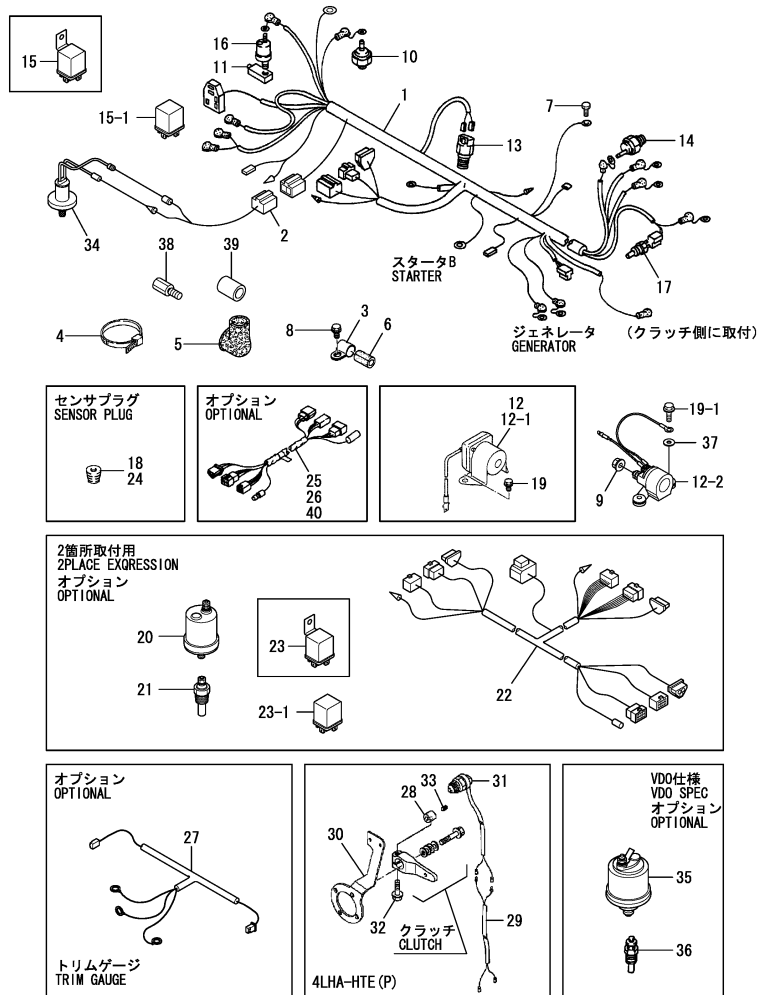


Remarks  
 (1)Optional.  
 (2)Interchangeable by simultaneous replacement with Ref.No.12-2,19-1, 37.  
 (3)Interchangeable by simultaneous replacement with Fig.61A No.2,11. (Remodeling of the generator to Bosch products.)

(A)=4LHA-STE(P)  
 (B)=4LHA-STZE(P)  
 (C)=4LHA-DTE(P)  
 (D)=4LHA-DTZE(P)  
 (E)=4LHA-HTE(P)  
 (F)=4LHA-HTZE(P)

No.	Lev.	Parts No.	Description	Q'ty						I	R
				(A)	(B)	(C)	(D)	(E)	(F)		
1	1	119175-77810	HARNESS, WIRE	1	1						
1-1	1	119173-77851	HARNESS, WIRE	1	1	1	1				N
		(A=E50717) (B=EA0491)									
1-2	1	119173-77860	HARNESS, WIRE	1	1	1	1				R
		(A=EXXXXX) (B=EXXXXX) (C=EXXXXX) (D=EXXXXX)									
1-3	1	119173-77861	HARNESS, WIRE	1	1	1	1				F 3
		(A=*2012.07) (B=*2012.07) (C=*2012.07) (D=*2012.07)									
1A	1	119172-77820	HARNESS, WIRE							1	1
1A-1	1	119172-77830	HARNESS, WIRE							1	1 R
								(E=EXXXXX)		(F=EXXXXX)	
1A-2	1	119172-77831	HARNESS, WIRE							1	1 F 3
								(E=*2012.07)		(F=*2012.07)	
2	1	119175-77850	HARNESS, WIRE	1	1						W
		(A=E50717) (B=EA0491)									
3	1	124770-49310	RETAINER			1	1	1	1		
4	1	121750-59890	BAND, 140			1	1	1	1		
5	1	124550-77030	COVER, TERMINAL			1	1	1	1		
5-1	1	119773-77030	COVER			1	1	1	1		R
								(C=EXXXXX)	(D=EXXXXX)	(E=EXXXXX)	(F=EXXXXX)
6	1	123682-77710	PROTECTOR			1	1	1	1		
7	1	26106-080122	BOLT, M8X 12 PLATED	1	1	1	1	1	1		
8	1	26106-080162	BOLT, M8X 16 PLATED	1	1	1	1	1	1		
9	1	26366-060002	NUT, M6	2	2	2	2	2	2		
10	1	124060-39451	SWITCH, 0.2KG	1	1						
10-1	1	124060-39452	SWITCH, 0.2KG	1	1	1	1	1	1	1	N
		(A=E50979) (B=EA0615)									
11	1	123482-39680	DAMPER	1	1	1	1	1	1		
12	1	129100-77910	RELAY, MAGNETIC	1	1						
12-1	1	129490-77910	RELAY, STARTER	1	1	1	1	1	1	1	N
		(A=E50290) (B=E50293)									
12-2	1	119575-77510	RELAY, STARTER	1	1	1	1	1	1	1	F 2
		(A=*2004.06) (B=*2004.06) (C=*2004.06) (D=*2004.06) (E=*2004.06) (F=*2004.06)									
12-3	1	119575-77511	RELAY, STARTER	1	1	1	1	1	1	1	N
		(A=EXXXXX) (B=EXXXXX) (C=EXXXXX) (D=EXXXXX) (E=EXXXXX) (F=EXXXXX)									
13	1	128170-91160	SENSOR	1	1	1	1	1	1		
14	1	127610-91350	SWITCH, 95	1	1	1	1	1	1		
15	1	124617-91850	RELAY	1	1						
15-1	1	119773-91850	RELAY	1	1	1	1				N
		(A=E50979) (B=EA0615)									
16	1	119773-91500	SENDER	1	1						
16-1	1	119773-91501	SENSOR	1	1	1	1	1	1	1	N
		(A=E51410) (B=EA0821)									
17	1	144626-91570	SENDER UNIT	1	1	1	1	1	1		
18	1	23871-030000	PLUG, R03	2	2						
18-1	1	23876-030000	PLUG, R03	2	2	2	2	2	2	2	N
		(A=E50582) (B=EA0421)									
19	1	26106-060122	BOLT, M6X 12 PLATED	2	2	2	2	2	2		
19-1	1	26106-060202	BOLT, M6X 20 PLATED	2	2	2	2	2	2	2	F 2
		(A=*2004.06) (B=*2004.06) (C=*2004.06) (D=*2004.06) (E=*2004.06) (F=*2004.06)									
20	1	129574-91560	SENSOR	1	1						1
20-1	1	129574-91561	SENSOR	1	1	1	1	1	1	1	N 1

Fig.62. WIRE HARNESS & SENSOR

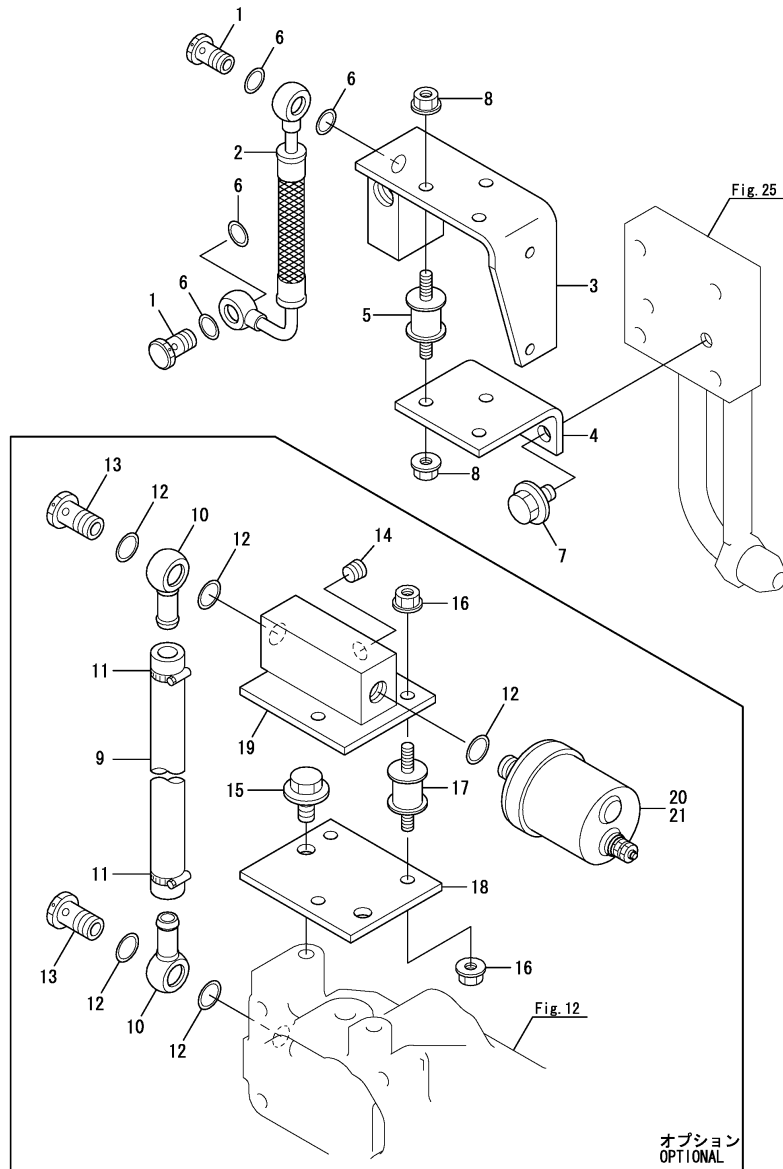


(A)=4LHA-STE(P)  
 (B)=4LHA-STZE(P)  
 (C)=4LHA-DTE(P)  
 (D)=4LHA-DTZE(P)  
 (E)=4LHA-HTE(P)  
 (F)=4LHA-HTZE(P)

No.	Lev.	Parts No.	Description	Q'ty						I	R
				(A)	(B)	(C)	(D)	(E)	(F)		
		(A=E52121) (B=*2001.06)									
21	1	129574-91570	SENSOR	1	1	1	1	1	1	1	1
22	1	129574-77980	HARNESS, WIRE	1	1	1	1	1	1	1	1
23	1	124617-91850	RELAY	1	1						1
23-1	1	119773-91850	RELAY	1	1	1	1	1	1	1	N 1
		(A=E50979) (B=EA0615)									
24	1	23876-010000	PLUG, R01	1	1	1	1	1	1	1	
25	1	129574-77710	HARNESS, WIRE 4M	1	1	1	1	1	1	1	1
26	1	129574-77720	HARNESS, WIRE 6M	1	1	1	1	1	1	1	1
27	1	119778-91500	HARNESS, WIRE		1		1			1	W 1
		(B=EA0463)									
28	1	177074-06300	CONTACT						1		1
29	1	177074-06350	HARNESS, WIRE						1		1
30	1	177074-06600	STAY						1		1
31	1	120270-77101	SWITCH, SAFETY						1		1
32	1	26106-080302	BOLT, M8X 30 PLATED						1		1
33	1	26979-040082	SCREW, M4X 8						1		1
34	1	119773-91380	SWITCH, PRESSURE	1	1						
35	1	119773-91650	SENSOR	1	1	1	1	1	1	1	
36	1	119773-91700	SENDER	1	1	1	1	1	1	1	
37	1	183350-55130	WASHER	2	2	2	2	2	2	2	W 2
		(A=*2004.06) (B=*2004.06) (C=*2004.06) (D=*2004.06) (E=*2004.06) (F=*2004.06)									
38	1	119175-77500	BOLT	1	1	1	1	1	1	1	W
		(A=EXXXXX) (B=EXXXXX) (C=EXXXXX) (D=EXXXXX) (E=EXXXXX) (F=EXXXXX)									
39	1	119175-77800	COVER	1	1	1	1	1	1	1	W
		(A=EXXXXX) (B=EXXXXX) (C=EXXXXX) (D=EXXXXX) (E=EXXXXX) (F=EXXXXX)									
40	1	129574-77740	HARNESS, WIRE 10M	1	1	1	1	1	1	1	W
		(A=EXXXXX) (B=EXXXXX) (C=EXXXXX) (D=EXXXXX) (E=EXXXXX) (F=EXXXXX)									

Remarks  
 (1)Optional.  
 (2)Interchangeable by simultaneous replacement with Ref.No.12-2,19-1, 37.  
 (3)Interchangeable by simultaneous replacement with Fig.61A No.2,11. (Remodeling of the generator to Bosch products.)

Fig.63. SENSOR MOUNT



(A)=4LHA-STE(P) (D)=4LHA-DTZE(P)  
 (B)=4LHA-STZE(P) (E)=4LHA-HTE(P)  
 (C)=4LHA-DTE(P) (F)=4LHA-HTZE(P)

No.	Lev.	Parts No.	Description	Q'ty						I	R
				(A)	(B)	(C)	(D)	(E)	(F)		
1	1	121252-39150	BOLT, JOINT M10X1.5	2	2	2	2	2	2		
2	1	119175-39600	PIPE, OIL	1	1	1	1	1	1		
3	1	119175-91030	BRACKET	1	1	1	1	1	1		
4	1	119175-91040	BRACKET	1	1	1	1	1	1		
5	1	119175-91050	ABSORBER	3	3	3	3	3	3		
6	1	23414-100000	GASKET, 10X1.0	4	4	4	4	4	4		
7	1	26106-080122	BOLT, M8X 12 PLATED	2	2	2	2	2	2		
8	1	26366-060002	NUT, M6	6	6	6	6	6	6		
9	1	119574-18490	HOSE	1	1	1	1	1	1		1
10	1	104264-59020	JOINT	2	2	2	2	2	2		1
11	1	23000-013000	CLAMP, 13	2	2	2	2	2	2		1
11-1	1	119172-48130	CLIP, HOSE 13	2	2	2	2	2	2		N 1
		(A=EXXXXX)	(B=EXXXXX)	(C=EXXXXX)	(D=EXXXXX)	(E=EXXXXX)	(F=EXXXXX)				
12	1	23414-120000	GASKET, 12X1.0	5	5	5	5	5	5		1
13	1	23857-060000	BOLT, JOINT 6	2	2	2	2	2	2		1
14	1	23876-010000	PLUG, R01	1	1	1	1	1	1		1
15	1	26106-080162	BOLT, M8X 16 PLATED	2	2	2	2	2	2		1
16	1	26367-060002	NUT, M6	6	6	6	6	6	6		1
17	1	119175-91050	ABSORBER	3	3	3	3	3	3		1
18	1	119175-91080	PLATE	1	1						1
18-1	1	119175-91070	PLATE	1	1	1	1	1	1		N 1
		(A=E52121)	(B=*2001.06)								
19	1	119175-91090	BRACKET	1	1	1	1	1	1		1
20	1	119773-91300	SENSOR	1	1						1
20-1	1	119773-91301	SENSOR	1	1	1	1	1	1		N 1
		(A=E52063)	(B=*2001.04)								
21	1	119773-91600	SENDER	1	1	1	1	1	1		2

Remarks  
 (1)Optional.  
 (2)VDO:Boost sender

Fig.64. HEATER PLUG(OPTIONAL)

(A)=4LHA-STE(P)  
 (B)=4LHA-STZE(P)  
 (C)=4LHA-DTE(P)  
 (D)=4LHA-DTZE(P)  
 (E)=4LHA-HTE(P)  
 (F)=4LHA-HTZE(P)

No.	Lev.	Parts No.	Description	Q'ty						I	R
				(A)	(B)	(C)	(D)	(E)	(F)		
1	1	119575-77050	PLUG	2	2	2	2	2	2		
2	1	119575-77060	RELAY, HEATER	1	1	1	1	1	1		
3	1	119575-77070	CONTROLLER	1	1						
3-1	1	119575-77071 (A=E51251) (B=EA0706)	CONTROLLER	1	1	1	1	1	1	1	N
4	1	119175-77600	BRACKET	1	1	1	1	1	1		
5	1	119175-77610	BRACKET	1	1	1	1	1	1		
5-1	1	119175-77620 (A=EXXXXX) (B=EXXXXX) (C=EXXXXX) (D=EXXXXX) (E=EXXXXX) (F=EXXXXX)	BRACKET	1	1	1	1	1	1	1	R
6	1	119173-77880	HARNESS, WIRE	1	1	1	1	1	1		
6-1	1	119173-77900 (A=EXXXXX) (B=EXXXXX) (C=EXXXXX) (D=EXXXXX) (E=EXXXXX) (F=EXXXXX)	HARNESS, WIRE	1	1	1	1	1	1	1	R
6-2	1	119173-77901 (A=*2012.08) (B=*2012.08) (C=*2012.08) (D=*2012.08) (E=*2012.08) (F=*2012.08)	HARNESS,HEATER RELAY	1	1	1	1	1	1	1	N
7	1	119175-91050	ABSORBER	4	4	4	4	4	4		
8	1	124616-91370	SWITCH, 42	1	1	1	1	1	1		
9	1	26106-060122	BOLT, M6X 12 PLATED	2	2	2	2	2	2		
10	1	26106-080142	BOLT, M8X 14 PLATED	2	2	2	2				
11	1	26366-060002	NUT, M6	8	8	8	8	8	8		
12	1	29622-250001	BAND, RF250	2	2	2	2	2	2		
13	1	119172-77650	BRACKET							1	1
14	1	26106-080252	BOLT, M8X 25 PLATED							2	2
15	1	26106-080282	BOLT, M8X 28 PLATED							2	2

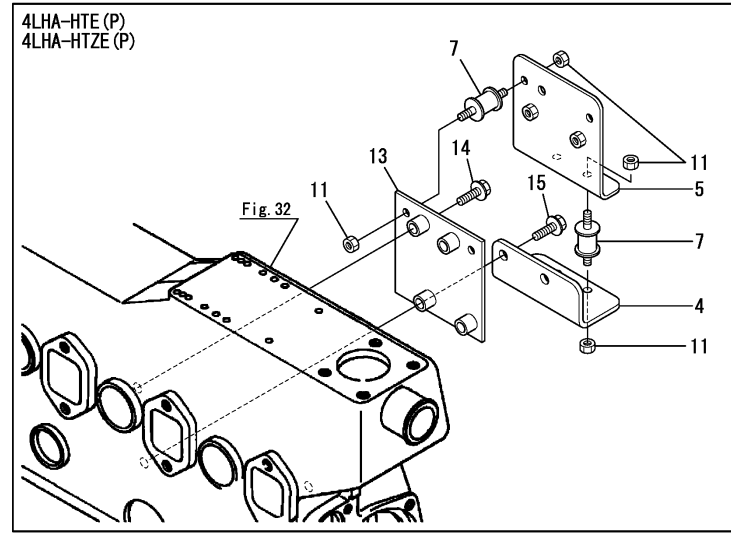
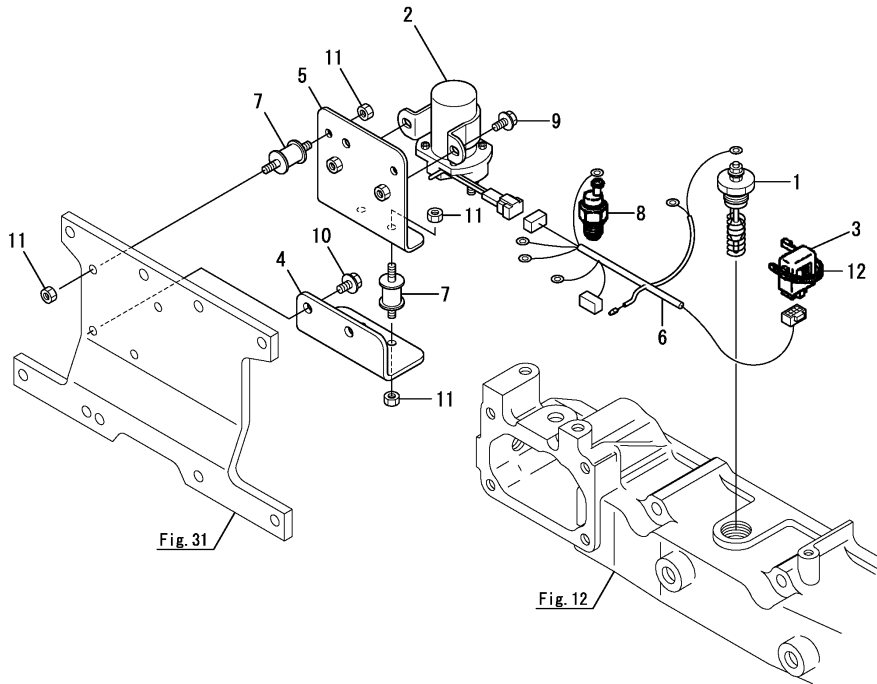
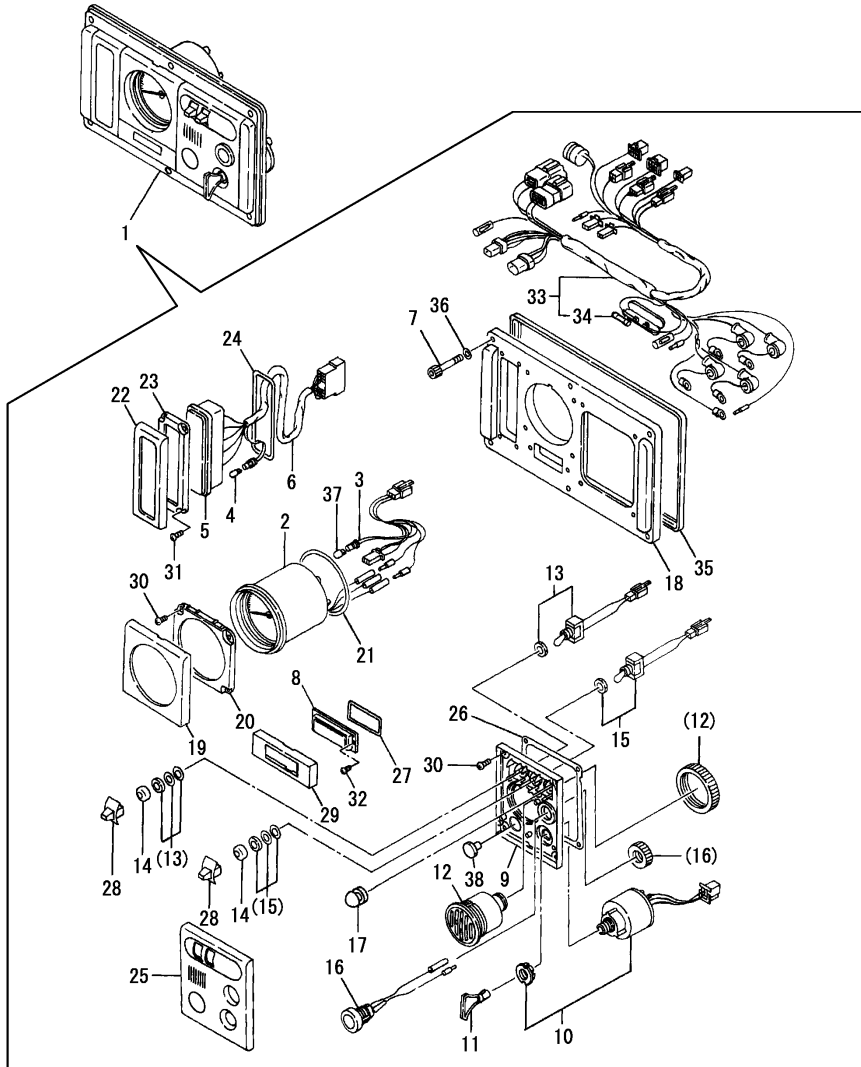


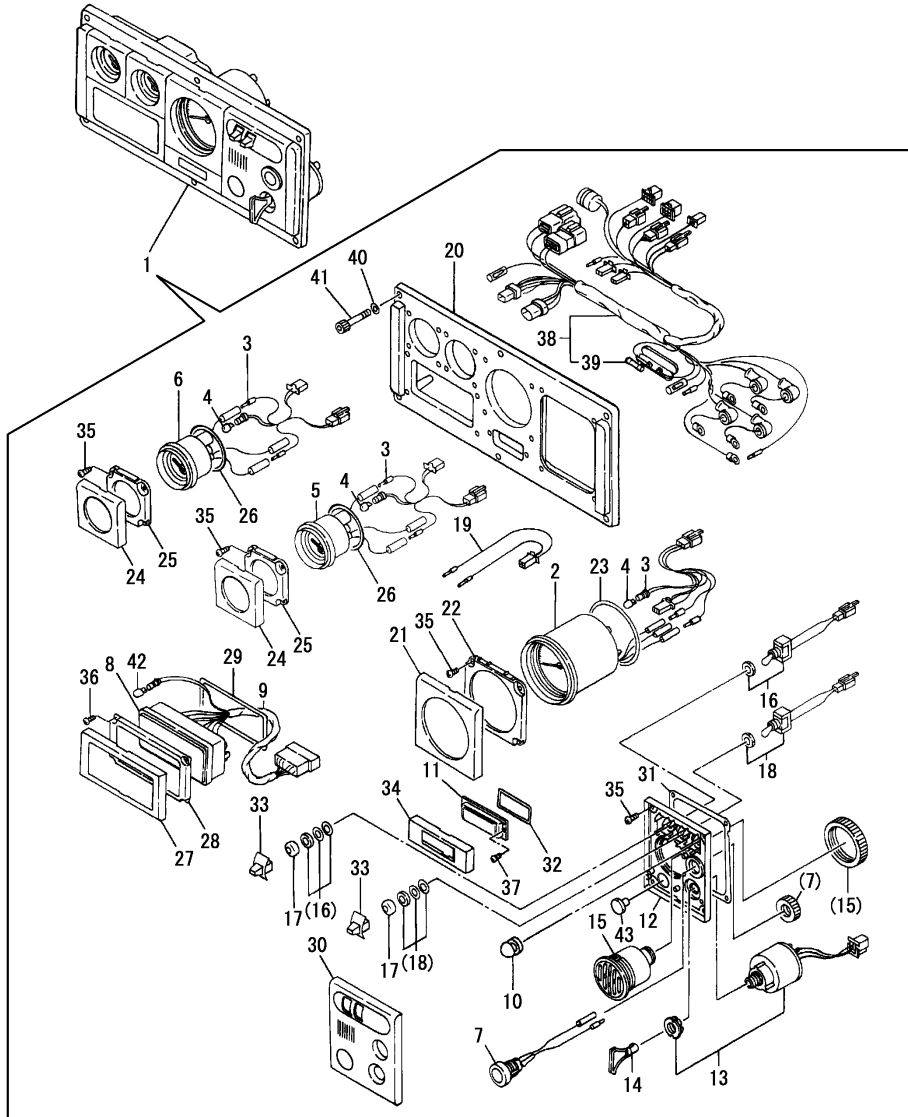
Fig.65. INSTRUMENT PANEL(B-TYPE,OPTIONAL)



(A)=4LHA-STE(P)  
 (B)=4LHA-STZE(P)  
 (C)=4LHA-DTE(P)  
 (D)=4LHA-DTZE(P)  
 (E)=4LHA-HTE(P)  
 (F)=4LHA-HTZE(P)

No.	Lev.	Parts No.	Description	Q'ty						I	R
				(A)	(B)	(C)	(D)	(E)	(F)		
1	1	119175-91130	PANEL, INSTRUMENT B	1	1						
1-1	1	119175-91131	PANEL, INSTRUMENT B	1	1	1	1	1	1	1	N
		(A=E50759) (B=EA0515)									
2	2	129574-91200	METER KIT	1	1	1	1	1	1	1	
3	2	129574-91870	HARNESS, WIRE	1	1	1	1	1	1	1	
4	2	124617-91980	BULB, 12V-1.7W	6	6	6	6	6	6	6	
5	2	119773-91260	BOX	1	1						
5-1	2	119773-91261	BOX	1	1	1	1	1	1	1	N
		(A=E50759) (B=EA0515)									
6	2	119773-91240	HARNESS, WIRE	1	1	1	1	1	1	1	
7	2	127687-91870	BOLT, M6X35	6	6	6	6	6	6	6	
8	2	129170-91650	COVER	1	1	1	1	1	1	1	
9	2	129574-91410	BRACKET, SWITCH	1	1	1	1	1	1	1	
10	2	121575-91250	SWITCH, KEY	1	1	1	1	1	1	1	
11	2	123482-91291	KEY	1	1	1	1	1	1	1	
12	2	104271-91352	BUZZER	1	1	1	1	1	1	1	
13	2	129170-91800	SWITCH	1	1	1	1	1	1	1	
14	2	129574-91780	CAP, RUBBER	2	2	2	2	2	2	2	
15	2	129574-91790	SWITCH	1	1	1	1	1	1	1	
16	2	129470-91190	SWITCH, STOP	1	1	1	1	1	1	1	
17	2	129170-91810	COVER	1	1	1	1	1	1	1	
18	2	128391-91930	PANEL	1	1	1	1	1	1	1	
19	2	129574-91620	BEZEL	1	1	1	1	1	1	1	
20	2	129574-91420	BRACKET	1	1	1	1	1	1	1	
21	2	129574-91720	GASKET	1	1	1	1	1	1	1	
22	2	128391-91640	BEZEL	1	1	1	1	1	1	1	
23	2	128391-91440	PLATE	1	1	1	1	1	1	1	
24	2	128391-91740	GASKET	1	1	1	1	1	1	1	
25	2	129170-91610	BEZEL	1	1	1	1	1	1	1	
26	2	129574-91710	GASKET	1	1	1	1	1	1	1	
27	2	129574-91750	GASKET	1	1	1	1	1	1	1	
28	2	129574-91770	KNOB	2	2	2	2	2	2	2	
29	2	129574-91650	BEZEL	1	1	1	1	1	1	1	
30	2	127692-91410	SCREW	8	8	8	8	8	8	8	
31	2	127692-91440	SCREW	4	4	4	4	4	4	4	
32	2	127692-91450	SCREW	2	2	2	2	2	2	2	
33	2	119773-91140	HARNESS, WIRE	1	1						
33-1	2	119773-91141	HARNESS, WIRE	1	1	1	1	1	1	1	N
		(A=E50759) (B=EA0515)									
34	3	124617-91990	FUSE	1	1	1	1	1	1	1	
35	2	128391-91700	GASKET	1	1	1	1	1	1	1	
36	2	127687-91880	WASHER	6	6	6	6	6	6	6	
37	2	124617-91980	BULB, 12V-1.7W	1	1	1	1	1	1	1	
38	2	129574-91760	COVER	1	1	1	1	1	1	1	

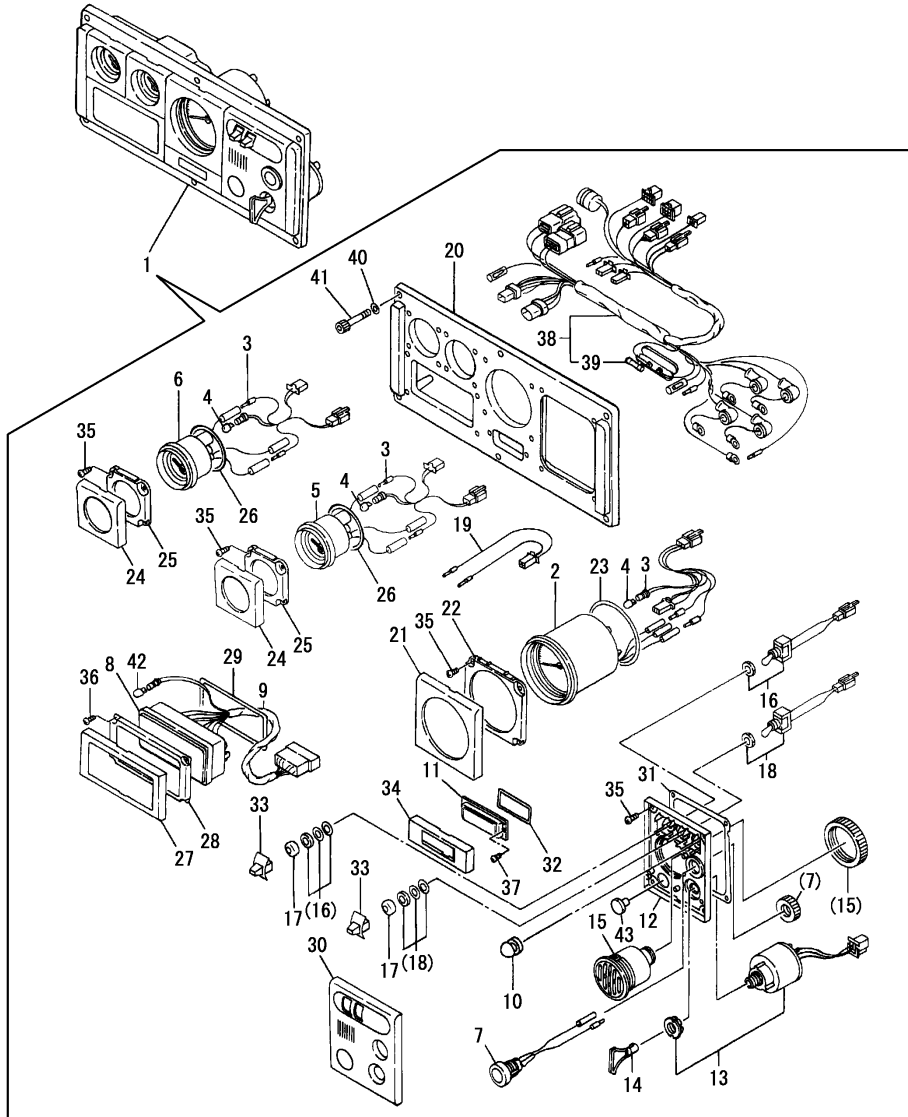
Fig.66. INSTRUMENT PANEL(C-TYPE,OPTIONAL)



(A)=4LHA-STE(P) (D)=4LHA-DTZE(P)  
 (B)=4LHA-STZE(P) (E)=4LHA-HTE(P)  
 (C)=4LHA-DTE(P) (F)=4LHA-HTZE(P)

No.	Lev.	Parts No.	Description	Q'ty						I	R
				(A)	(B)	(C)	(D)	(E)	(F)		
1	1	119175-91160	PANEL, INSTRUMENT C	1	1						
1-1	1	119175-91161	PANEL, INSTRUMENT C	1	1						N
		(A=E50759) (B=EA0515)									
1-2	1	119175-91162	PANEL, INSTRUMENT C	1	1	1	1	1	1	1	S
		(A=E50906) (B=EA0571)									
1-3	1	119175-91163	PANEL, INSTRUMENT C	1	1	1	1	1	1	1	R
		(A=EXXXXX) (B=EXXXXX) (C=EXXXXX) (D=EXXXXX) (E=EXXXXX) (F=EXXXXX)									
2	2	129574-91200	METER KIT	1	1	1	1	1	1	1	
3	2	129574-91870	HARNES, WIRE	3	3	3	3	3	3	3	
4	2	124617-91980	BULB, 12V-1.7W	4	4	4	4	4	4	4	
5	2	129574-91210	METER	1	1	1	1	1	1	1	
6	2	129574-91220	METER	1	1						
6-1	2	129574-91221	METER	1	1	1	1	1	1	1	S
		(A=E50906) (B=EA0571)									
7	2	129470-91190	SWITCH, STOP	1	1	1	1	1	1	1	
8	2	119773-91280	BOX	1	1						
8-1	2	119773-91281	BOX	1	1	1	1	1	1	1	N
		(A=E50759) (B=EA0515)									
9	2	119773-91230	HARNES, WIRE	1	1						
9-1	2	119773-91231	HARNES, WIRE	1	1	1	1	1	1	1	N
		(A=E50759) (B=EA0515)									
10	2	129170-91810	COVER	1	1	1	1	1	1	1	
11	2	129170-91650	COVER	1	1	1	1	1	1	1	
12	2	129574-91410	BRACKET, SWITCH	1	1	1	1	1	1	1	
13	2	121575-91250	SWITCH, KEY	1	1	1	1	1	1	1	
14	2	123482-91291	KEY	1	1	1	1	1	1	1	
15	2	104271-91352	BUZZER	1	1	1	1	1	1	1	
16	2	129170-91800	SWITCH	1	1	1	1	1	1	1	
17	2	129574-91780	CAP, RUBBER	2	2	2	2	2	2	2	
18	2	129574-91790	SWITCH	1	1	1	1	1	1	1	
19	2	129170-91890	HARNES, WIRE	1	1	1	1	1	1	1	
20	2	129170-91930	PANEL	1	1	1	1	1	1	1	
21	2	129574-91620	BEZEL	1	1	1	1	1	1	1	
22	2	129574-91420	BRACKET	1	1	1	1	1	1	1	
23	2	129574-91720	GASKET	1	1	1	1	1	1	1	
24	2	129574-91630	BEZEL	2	2	2	2	2	2	2	
25	2	129574-91430	BRACKET	2	2	2	2	2	2	2	
26	2	129574-91730	GASKET	2	2	2	2	2	2	2	
27	2	129574-91640	BEZEL	1	1	1	1	1	1	1	
28	2	129574-91440	BRACKET	1	1	1	1	1	1	1	
29	2	129574-91740	GASKET	1	1	1	1	1	1	1	
30	2	129170-91610	BEZEL	1	1	1	1	1	1	1	
31	2	129574-91710	GASKET	1	1	1	1	1	1	1	
32	2	129574-91750	GASKET	1	1	1	1	1	1	1	
33	2	129574-91770	KNOB	2	2	2	2	2	2	2	
34	2	129574-91650	BEZEL	1	1	1	1	1	1	1	
35	2	127692-91410	SCREW	16	16	16	16	16	16	16	
36	2	127692-91440	SCREW	4	4	4	4	4	4	4	
37	2	127692-91450	SCREW	2	2	2	2	2	2	2	
38	2	119773-91170	HARNES, WIRE	1	1						
38-1	2	119773-91171	HARNES, WIRE	1	1	1	1	1	1	1	N

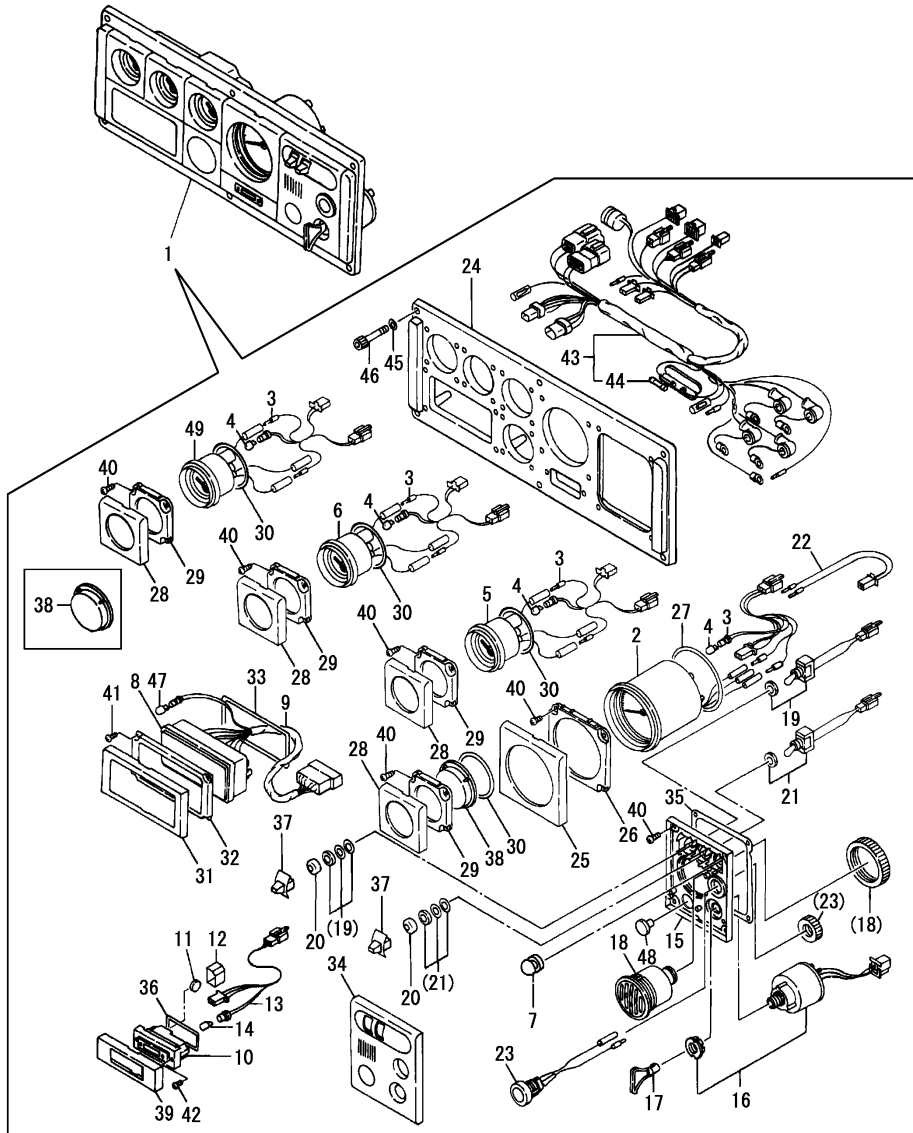
Fig.66. INSTRUMENT PANEL(C-TYPE,OPTIONAL)



(A)=4LHA-STE(P)  
 (B)=4LHA-STZE(P)  
 (C)=4LHA-DTE(P)  
 (D)=4LHA-DTZE(P)  
 (E)=4LHA-HTE(P)  
 (F)=4LHA-HTZE(P)

No.	Lev.	Parts No.	Description	Q'ty						I	R
				(A)	(B)	(C)	(D)	(E)	(F)		
		(A=E50759)	(B=EA0515)								
39	3	124617-91990	FUSE	1	1	1	1	1	1		
40	2	127687-91880	WASHER	6	6	6	6	6	6		
41	2	127687-91870	BOLT, M6X35	6	6	6	6	6	6		
42	2	124617-91980	BULB, 12V-1.7W	8	8	8	8	8	8		
43	2	129574-91760	COVER	1	1	1	1	1	1		

Fig.67. INSTRUMENT PANEL(D-TYPE,OPTIONAL)

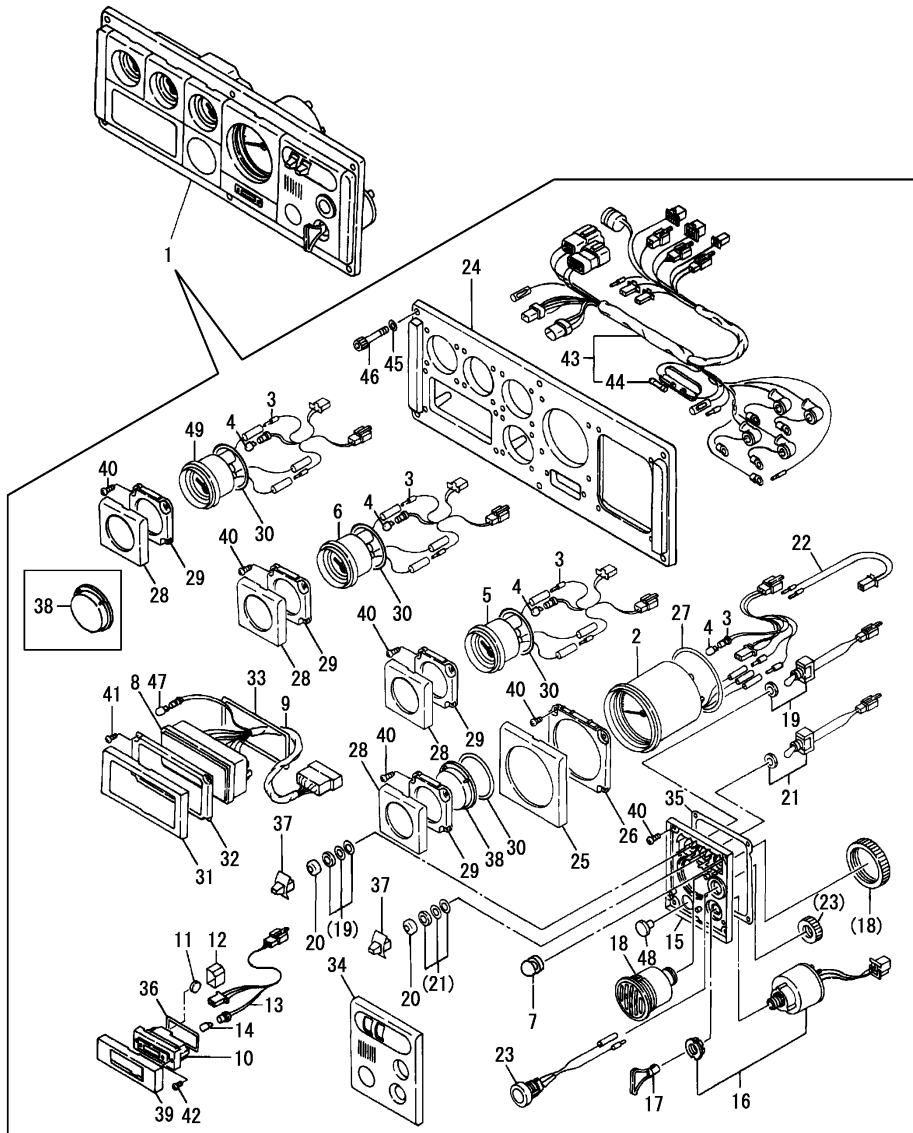


(A)=4LHA-STE(P) (D)=4LHA-DTZE(P)  
 (B)=4LHA-STZE(P) (E)=4LHA-HTE(P)  
 (C)=4LHA-DTE(P) (F)=4LHA-HTZE(P)

No.	Lev.	Parts No.	Description	Q'ty						I	R
				(A)	(B)	(C)	(D)	(E)	(F)		
1	1	119175-91190	PANEL, INSTRUMENT	1	1						
1-1	1	119175-91191	PANEL, INSTRUMENT	1	1						N
		(A=E50759) (B=EA0515)									
1-2	1	119175-91192	PANEL, INSTRUMENT D	1	1	1	1	1	1	1	S
		(A=E50906) (B=EA0571)									
1-3	1	119175-91193	PANEL, INSTRUMENT D	1	1	1	1	1	1	1	R
		(A=EXXXXX) (B=EXXXXX) (C=EXXXXX) (D=EXXXXX) (E=EXXXXX) (F=EXXXXX)									
2	2	129574-91200	METER KIT	1	1	1	1	1	1	1	
3	2	129574-91870	HARNES, WIRE	3	3	3	3	3	3	3	
4	2	124617-91980	BULB, 12V-1.7W	4	4	4	4	4	4	4	
5	2	129574-91210	METER	1	1	1	1	1	1	1	
6	2	129574-91220	METER	1	1						
6-1	2	129574-91221	METER	1	1	1	1	1	1	1	S
		(A=E50906) (B=EA0571)									
7	2	129170-91810	COVER	1	1	1	1	1	1	1	
8	2	119773-91280	BOX	1	1						
8-1	2	119773-91281	BOX	1	1	1	1	1	1	1	N
		(A=E50759) (B=EA0515)									
9	2	119773-91230	HARNES, WIRE	1	1						
9-1	2	119773-91231	HARNES, WIRE	1	1	1	1	1	1	1	N
		(A=E50759) (B=EA0515)									
10	2	129574-91240	CLOCK	1	1	1	1	1	1	1	
11	2	127620-91250	CELL	1	1	1	1	1	1	1	
12	2	129574-91490	HOLDER	1	1	1	1	1	1	1	
13	2	129574-91880	HARNES, WIRE	1	1	1	1	1	1	1	
14	2	120147-91760	BULB	1	1	1	1	1	1	1	
15	2	129574-91410	BRACKET, SWITCH	1	1	1	1	1	1	1	
16	2	121575-91250	SWITCH, KEY	1	1	1	1	1	1	1	
17	2	123482-91291	KEY	1	1	1	1	1	1	1	
18	2	104271-91352	BUZZER	1	1	1	1	1	1	1	
19	2	129170-91800	SWITCH	1	1	1	1	1	1	1	
20	2	129574-91780	CAP, RUBBER	2	2	2	2	2	2	2	
21	2	129574-91790	SWITCH	1	1	1	1	1	1	1	
22	2	129574-91890	HARNES, WIRE	1	1	1	1	1	1	1	
23	2	129470-91190	SWITCH, STOP	1	1	1	1	1	1	1	
24	2	129574-91930	PANEL	1	1	1	1	1	1	1	
25	2	129574-91620	BEZEL	1	1	1	1	1	1	1	
26	2	129574-91420	BRACKET	1	1	1	1	1	1	1	
27	2	129574-91720	GASKET	1	1	1	1	1	1	1	
28	2	129574-91630	BEZEL	4	4	4	4	4	4	4	
29	2	129574-91430	BRACKET	4	4	4	4	4	4	4	
30	2	129574-91730	GASKET	4	4	4	4	4	4	4	
31	2	129574-91640	BEZEL	1	1	1	1	1	1	1	
32	2	129574-91440	BRACKET	1	1	1	1	1	1	1	
33	2	129574-91740	GASKET	1	1	1	1	1	1	1	
34	2	129170-91610	BEZEL	1	1	1	1	1	1	1	
35	2	129574-91710	GASKET	1	1	1	1	1	1	1	
36	2	129574-91750	GASKET	1	1	1	1	1	1	1	
37	2	129574-91770	KNOB	2	2	2	2	2	2	2	
38	2	129574-91600	COVER	2	2						
38-1	2	129574-91600	COVER	1	1	1	1	1	1	1	K



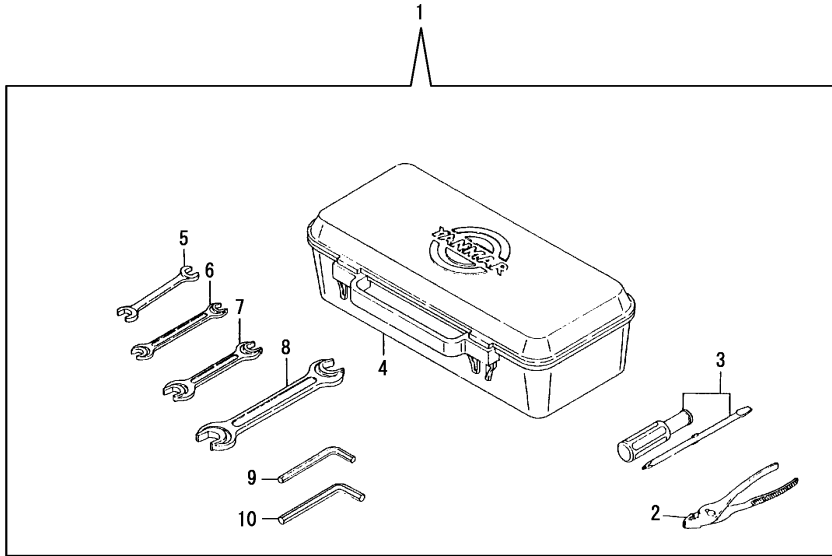
Fig.67. INSTRUMENT PANEL(D-TYPE,OPTIONAL)



(A)=4LHA-STE(P) (D)=4LHA-DTZE(P)  
 (B)=4LHA-STZE(P) (E)=4LHA-HTE(P)  
 (C)=4LHA-DTE(P) (F)=4LHA-HTZE(P)

No.	Lev.	Parts No.	Description	Q'ty						I	R
				(A)	(B)	(C)	(D)	(E)	(F)		
		(A=E50906) (B=EA0571)									
39	2	129574-91650	BEZEL	1	1	1	1	1	1		
40	2	127692-91410	SCREW	24	24	24	24	24	24		
41	2	127692-91440	SCREW	4	4	4	4	4	4		
42	2	127692-91450	SCREW	2	2	2	2	2	2		
43	2	119773-91220	HARNESS, WIRE	1	1						
43-1	2	119773-91221	HARNESS, WIRE	1	1	1	1	1	1		N
		(A=E50759) (B=EA0515)									
44	3	124617-91990	FUSE	1	1	1	1	1	1		
45	2	127687-91880	WASHER	6	6	6	6	6	6		
46	2	127687-91870	BOLT, M6X35	6	6	6	6	6	6		
47	2	124617-91980	BULB, 12V-1.7W	8	8	8	8	8	8		
48	2	129574-91760	COVER	1	1	1	1	1	1		
49	2	129574-91311	METER	1	1	1	1	1	1		W
		(A=E50906) (B=EA0571)									

Fig.68. TOOL

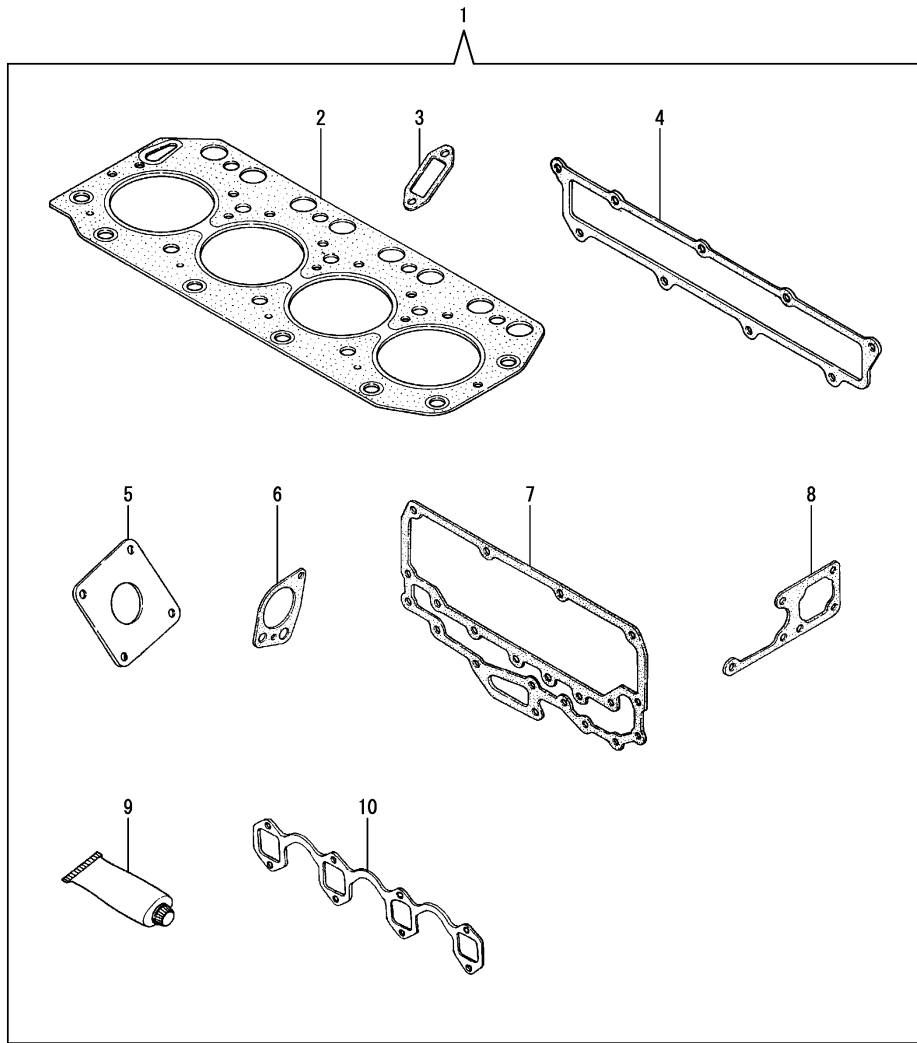


(A)=4LHA-STE(P)  
 (B)=4LHA-STZE(P)  
 (C)=4LHA-DTE(P)

(D)=4LHA-DTZE(P)  
 (E)=4LHA-HTE(P)  
 (F)=4LHA-HTZE(P)

No.	Lev.	Parts No.	Description	Q'ty						I	R
				(A)	(B)	(C)	(D)	(E)	(F)		
1	1	705311-92100	BOX ASSY, TOOL	1	1	1	1	1	1		
2	2	189010-92020	PLIER	1	1	1	1	1	1		
3	2	104200-92350	DRIVER, SCREW	1	1	1	1	1	1		
4	2	104200-92600	BOX, TOOL	1	1	1	1	1	1		
5	2	28110-100130	SPANNER, 10X13	1	1	1	1	1	1		
6	2	28110-120140	SPANNER, 12X14	1	1	1	1	1	1		
7	2	28110-170190	SPANNER, 17X19	1	1	1	1	1	1		
8	2	28110-220240	SPANNER, 22X24	1	1	1	1	1	1		
9	2	28150-050000	WRENCH, BAR 5	1	1	1	1	1	1		
10	2	28150-060000	WRENCH, BAR 6	1	1	1	1	1	1		

Fig.69. GASKET SET(OPTIONAL)

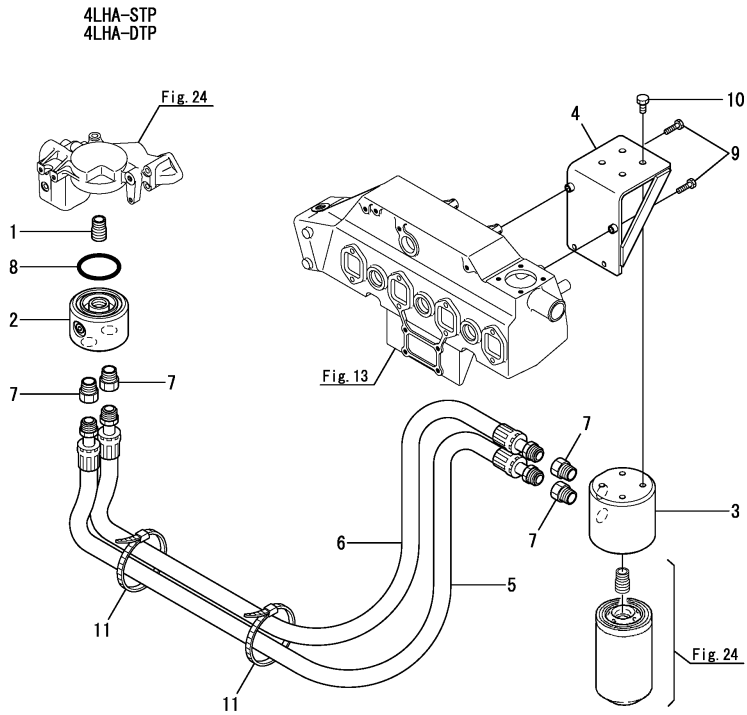


(A)=4LHA-STE(P)  
 (B)=4LHA-STZE(P)  
 (C)=4LHA-DTE(P)  
 (D)=4LHA-DTZE(P)  
 (E)=4LHA-HTE(P)  
 (F)=4LHA-HTZE(P)

No.	Lev.	Parts No.	Description	Q'ty						I	R
				(A)	(B)	(C)	(D)	(E)	(F)		
1	1	719173-92600	GASKET SET	1	1	1	1	1	1		
2	2	119174-01340	GASKET, HEAD T=1.3	1	1	1	1	1	1		
3	2	119000-01771	GASKET	1	1	1	1	1	1		
4	2	119100-12113	GASKET, MANIFOLD	1	1	1	1	1	1		
5	2	128300-13230	GASKET, SILENCER	1	1	1	1	1	1		
6	2	119000-32020	GASKET, PUMP	1	1	1	1	1	1		
7	2	119000-33022	GASKET	1	1	1	1	1	1		
8	2	119000-42021	GASKET, WATER PUMP	1	1	1	1	1	1		
9	2	977770-01212	GASKET, LIQUID	1	1	1	1	1	1		
10	2	119174-13201	GASKET, COOLER	1	1	1	1	1	1		

# Fig.70. REMOTE LUB.OIL STRAINER(OPTIONAL)

(A)=4LHA-STE(P) (D)=4LHA-DTZE(P)  
 (B)=4LHA-STZE(P) (E)=4LHA-HTE(P)  
 (C)=4LHA-DTE(P) (F)=4LHA-HTZE(P)

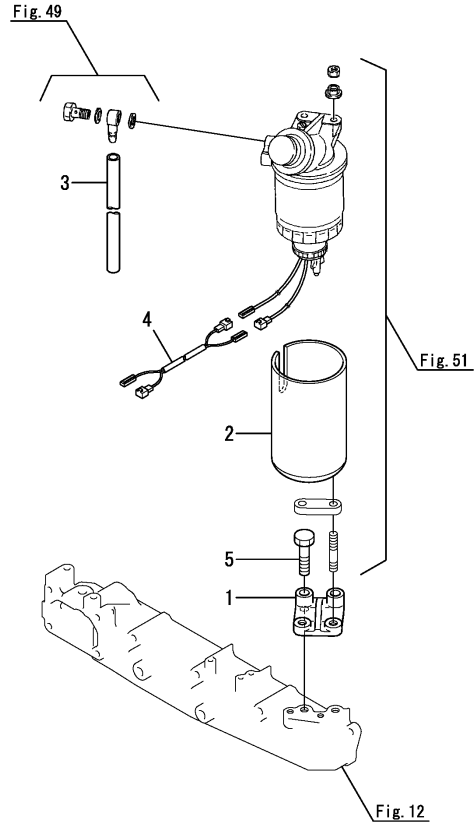


No.	Lev.	Parts No.	Description	Q'ty						I	R
				(A)	(B)	(C)	(D)	(E)	(F)		
1	1	119175-35180	BRACKET	1	1						1
2	1	119175-35300	ADAPTER, FILTER	1	1						1
3	1	119175-35310	ADAPTER, FILTER	1	1						1
4	1	119175-35320	BRACKET	1	1						W 1
		(A=*2002.06)	(C=*2002.06)								
5	1	119175-39100	PIPE, OIL	1	1						1
6	1	119175-39110	PIPE, OIL	1	1						1
7	1	119574-39200	JOINT	4	4						1
8	1	24311-000700	O-RING, 1AP70.0	1	1						1
9	1	26106-080302	BOLT, M8X 30 PLATED	4	4						1
10	1	26106-100222	BOLT, M10X 22 PLATED	4	4						1
11	1	29621-300000	BAND, TR300	2	2						1

Remarks  
 (1)Only 4LHA-STP,4LHA-DTP is added.

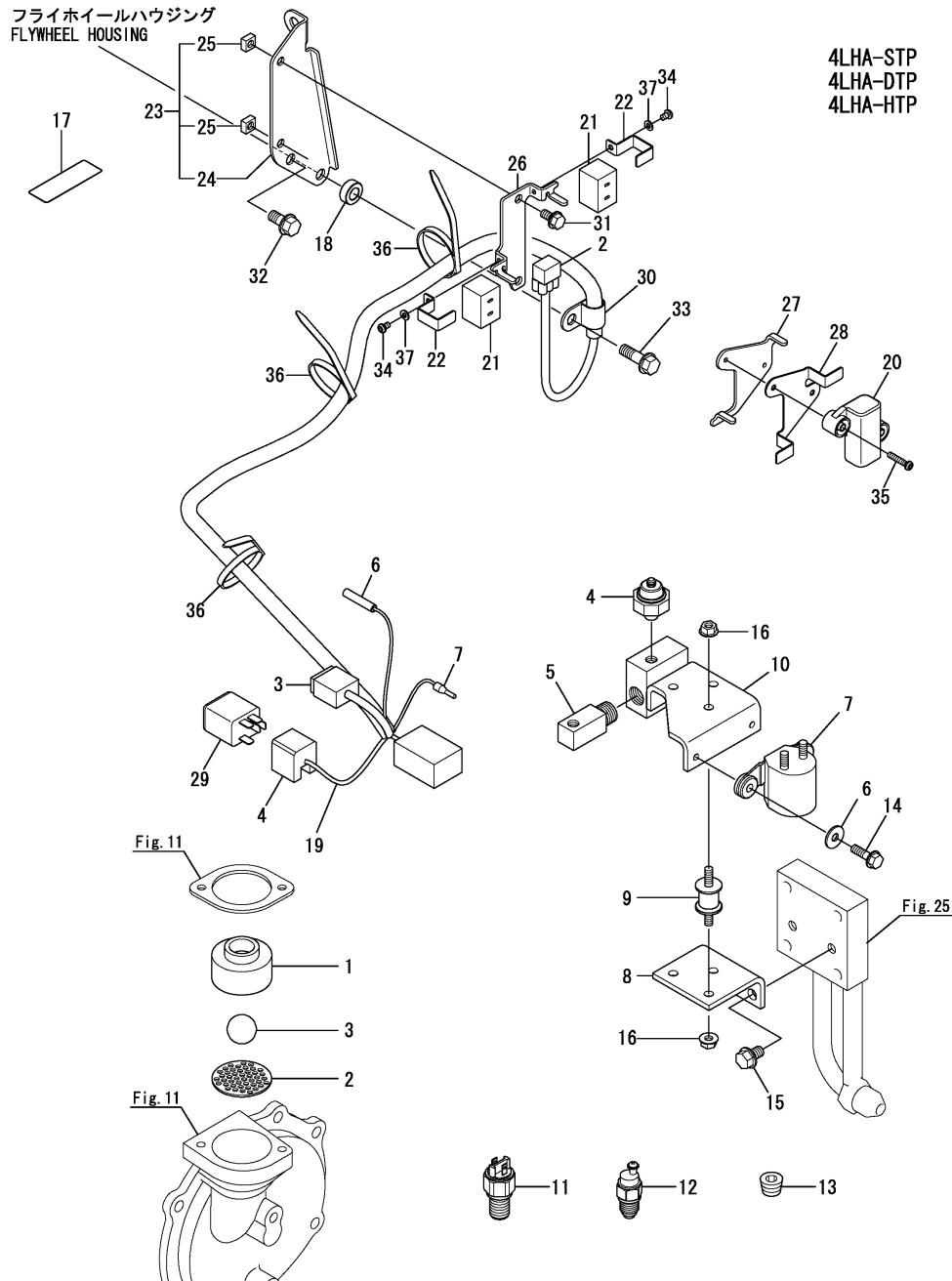
### Fig.71. KIT,FIREPROOF FUEL STRAINER(4LHA-HT(Z)E(P))

(A)=4LHA-STE(P)      (D)=4LHA-DTZE(P)  
 (B)=4LHA-STZE(P)    (E)=4LHA-HTE(P)  
 (C)=4LHA-DTE(P)    (F)=4LHA-HTZE(P)



No.	Lev.	Parts No.	Description	Q'ty						I	R
				(A)	(B)	(C)	(D)	(E)	(F)		
1	1	119172-55650	BRACKET					1	1		W
2	1	119172-55810	CASE KIT, FILTER		(E=*2006.01)			(F=*2006.01)			W
3	1	119172-59210	PIPE, FUEL		(E=*2006.01)			(F=*2006.01)			W
4	1	119172-77840	HARNESS, WIRE		(E=*2006.01)			1	1		W
5	1	26106-100402	BOLT, M10X 40 PLATED		(E=*2006.01)			2	2		W
					(E=*2006.01)			(F=*2006.01)			

Fig.72. SOLAS SENSOR(OPTIONAL)



(A)=4LHA-STE(P)  
 (B)=4LHA-STZE(P)  
 (C)=4LHA-DTE(P)  
 (D)=4LHA-DTZE(P)  
 (E)=4LHA-HTE(P)  
 (F)=4LHA-HTZE(P)

No.	Lev.	Parts No.	Description	Q'ty						I	R
				(A)	(B)	(C)	(D)	(E)	(F)		
1	1	119175-03250	BREATHER VALVE HOUSI	1	1	1					
2	1	119175-03260	PLATE,BAFFLE	1	1	1					
3	1	24190-280001	BALL, STEEL 7/8	1	1	1					
4	1	124060-39452	SWITCH, 0.2KG	1	1	1					
5	1	123482-39680	DAMPER	1	1	1					
6	1	183350-55130	WASHER	2	2	2					
7	1	119575-77511	RELAY, STARTER	1	1	1					
8	1	119175-91040	BRACKET	1	1	1					
9	1	119175-91050	ABSORBER	3	3	3					
10	1	119175-91060	BRACKET	1	1	1					
11	1	128170-91160	SENSOR	1	1	1					
12	1	127610-91350	SWITCH, 95	1	1	1					
13	1	23876-030000	PLUG, R03	2	2	2					
14	1	26106-060202	BOLT, M6X 20 PLATED	2	2	2					
15	1	26106-080122	BOLT, M8X 12 PLATED	2	2	2					
16	1	26366-060002	NUT, M6	6	6	6					
17	1	129198-07213	LABEL	1	1	1					
18	1	106500-44810	SPACER	1	1	1					
19	1	119175-77410	HARNES, WIRE	1	1	1					
20	1	119175-91510	SWITCH	1	1	1					
21	1	119175-91560	CUSHION	2	2	2					
22	1	119175-91600	SUPPORT	2	2	2					
23	1	119175-91610	BRACKET ASSY	1	1	1					
24	2	119175-91620	BRACKET	1	1	1					
25	2	26331-060002	NUT, M6	2	2	2					
26	1	119175-91630	BRACKET	1	1	1					
27	1	119175-91640	BRACKET	1	1	1					
28	1	119175-91650	BRACKET	1	1	1					
29	1	119773-91850	RELAY	1	1	1					
30	1	23297-140081	CLAMP, A14X 8	1	1	1					
31	1	26106-060122	BOLT, M6X 12 PLATED	2	2	2					
32	1	26106-080162	BOLT, M8X 16 PLATED	1	1	1					
33	1	26106-080252	BOLT, M8X 25 PLATED	1	1	1					
34	1	26557-040062	SCREW, M4X 6	2	2	2					
35	1	26557-040202	SCREW, M4X20	2	2	2					
36	1	29621-300000	BAND, TR300	3	3	3					
37	1	22217-040000	WASHER, SPRING 4	2	2	2					W

Fig.76. PTO FLANGE

(A)=4LHA-STE(P) (D)=4LHA-DTZE(P)  
 (B)=4LHA-STZE(P) (E)=4LHA-HTE(P)  
 (C)=4LHA-DTE(P) (F)=4LHA-HTZE(P)

No.	Lev.	Parts No.	Description	Q'ty						I	R
				(A)	(B)	(C)	(D)	(E)	(F)		
1	1	777524-02121 (A=EXXXXX)	FLANGE KIT, PTO (C=EXXXXX)	1 (E=EXXXXX)	1			1			W
2	2	177524-02210	GASKET, COVER	1		1			1		
2-1	2	177524-02211 (A=EXXXXX)	GASKET, COVER (C=EXXXXX)	1 (E=EXXXXX)		1			1		N
3	2	177524-02221	FLANGE, SAE#A	1		1			1		
4	2	177524-02230	GASKET	1		1			1		
5	2	177524-03701	SLEEVE ASSY, SPLINE	1		1			1		
9	2	26106-080302	BOLT, M8X 30 PLATED	2		2			2		
10	2	26106-100352	BOLT, M10X 35 PLATED	2		2			2		

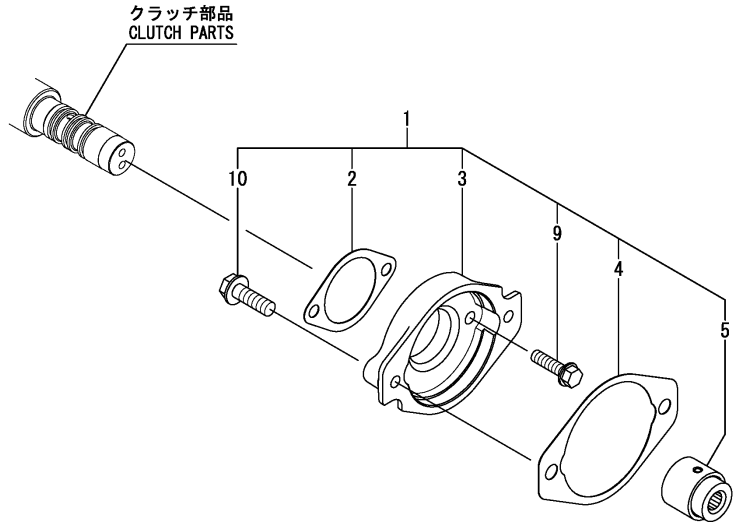


Fig.77. CLUTCH

(A)=4LHA-STE(P) (D)=4LHA-DTZE(P)  
 (B)=4LHA-STZE(P) (E)=4LHA-HTE(P)  
 (C)=4LHA-DTE(P) (F)=4LHA-HTZE(P)

No.	Lev.	Parts No.	Description	Q'ty						I	R
				(A)	(B)	(C)	(D)	(E)	(F)		
1	1	177523-80010	CLUTCH ASSY, 2.43 (A=EXXXXX) (C=EXXXXX)	1	1		1				W
2	1	177523-80020	CLUTCH ASSY, 2.13	1		1					
3	1	177523-80030	CLUTCH ASSY, 1.97		1		1				
4	1	177522-80010	CLUTCH ASSY, I=2.45				1				
5	1	177522-80020	CLUTCH ASSY, 2.04				1				
6	1	177522-80030	CLUTCH ASSY, 1.53				1				
7	1	177522-80040	CLUTCH ASSY, 1.24				1				

Remarks

\*This figure are not illustrated.

N:Old  $\xleftrightarrow[No]{Yes}$  New, Q:Old  $\xleftrightarrow[Yes]{No}$  New, R:Old  $\xleftrightarrow[Yes]{No}$  New, S:Old  $\xleftrightarrow[No]{Yes}$  New, W:Add, Z:Discontinued, F:Interchangeable by set, K:Q'ty Change



## Parts No. Index

Parts No.	Fig. No.	Ref. No.
101304-59020	49	2
103854-39140	12	9
104200-92350	68	3
104200-92600	68	4
104264-59020	12	11
	63	10
104264-59030	13	22
104271-91352	65	12
	66	15
	67	18
104407-44480	36	22
	37	13
105311-67200	54	2
106100-55800	1	47
	42	3
	45	52
106500-44810	72	18
114250-53080	46	5
		21
		33
114250-53120	46	22
		34
114250-53130	46	7
		23
		35
114250-53140	46	8
		24
		36
114250-53210	46	11
		27
		39
114250-53400	46	16
		28
		40
114780-61090	43	89 -1
119000-01200	1	53
119000-01500	2	1
119000-01520	2	2
119000-01650	7	2
119000-01740	2	4
119000-01771	2	5
	69	3
119000-01840	1	13
119000-01880	1	11
119000-02020	1	20
119000-02410	1	5
119000-02450	14	2
119000-02930	1	24
119000-07200	9	44
	10	44

Parts No.	Fig. No.	Ref. No.
119000-11170	9	8
	10	8
119000-11230	9	31
	10	31
119000-11260	9	40
	10	39
119000-11270	9	35
	10	35
119000-11280	9	36
	10	36
119000-11290	9	37
	10	37
119000-11990	9	11 -1
	10	11 -1
119000-14100	14	4
119000-14200	14	6
119000-21650	20	9
		20
119000-25050	14	9
119000-25100	14	11
119000-25910	45	49
119000-25920	42	9
	45	50
119000-25930	14	14
119000-32001	24	1
119000-32020	24	2
	69	6
119000-33022	23	8
	69	7
119000-33030	23	9
119000-33041	23	10
119000-34030	23	3
119000-42021	30	17
	69	8
119000-42051	30	3
119000-42141	30	5
119000-42150	30	4
119000-42151	30	4 -1
119000-51050	41	4
119000-51060	41	6
119000-51151	41	13
119000-51161	41	39
119000-51170	41	66
119000-51181	41	16
119000-51330	41	29
119000-51410	41	38
119000-51411	41	38 -1
119000-51430	41	14
119000-51450	41	40
119000-51510	41	42

Parts No.	Fig. No.	Ref. No.
119000-51511	41	42 -1
119000-51550	41	46
119000-51570	41	47
119000-51580	41	48
119000-51590	41	49
119000-51650	41	50
119000-51800	41	52
119000-51900	41	53
119000-61051	43	86
119000-61052	43	86 -1
119000-61120	43	13
119000-61180	43	96
119000-61470	43	114
119000-61490	43	17
119000-61630	43	38
119005-77350	60	23
	61	24
		24 -1
	75	5
119100-01640	7	1
119100-01730	6	20
119100-01770	6	21
119100-11080	10	5
119100-11090	10	6
119100-11230	10	28
119100-11320	11	5
119100-11990	9	12 -1
	10	12 -1
119100-12112	12	1
119100-12113	12	1 -1
	69	4
119100-26200	28	17
	29	17
	24	22
119100-35090	24	22
119100-51081	41	7
119100-51091	41	8
119129-77210	59	16
119129-77250	61	14
119129-77260	61	15
119129-77320	61	3
119129-77890	61	20
119129-77900	61	21
119129-77930	61	19
119171-01101	1	12
119171-01600	3	5
119171-01980	42	1
119171-08111	5	14
119171-08131	5	15
119171-11110	10	15
119171-11150	9	19

Parts No.	Fig. No.	Ref. No.
119171-11150	10	27
119171-11370	9	22
	10	21
119171-14000	14	1 A
119171-14400	14	7
119171-21590	3	2
119171-21591	3	2 -1
119171-21650	20	23
119171-25910	42	8
119171-25920	42	10
119171-34820	6	15
119171-34850	6	19
119171-42001	30	1
119171-42002	30	1 -1
119171-42003	30	1 -2
119171-42300	30	6
119171-42500	29	1
119171-42501	29	1 -1
119171-42510	29	2
119171-42520	29	6
119171-42530	29	7
119171-42540	29	8
119171-44000	32	2
119171-44110	32	5
119171-44450	32	7
119171-44470	32	8
119171-48610	38	2
119171-49070	35	13
119171-49160	1	54
119171-49200	37	2
119171-49240	36	2
	37	3
119171-49250	36	3
	37	4
119171-49530	13	32
	30	11
119171-59910	49	4
119171-59990	49	11
119171-67200	42	16
119171-77330	60	21
	61	27
	75	3
119171-85900	58	12
119172-02210	1	58
119172-02310	1	64
119172-07450	8	17 B
119172-07520	8	18 B
119172-07600	8	17 E
119172-13520	18	39
119172-18030	17	1

## Parts No. Index

Parts No.	Fig. No.	Ref. No.
119172-18060	17	32
119172-18560	19	27 -1
119172-18570	19	27
119172-22100	21	21
119172-23310	21	40
119172-26800	2	23
119172-35170	25	23
119172-39660	26	10
119172-44300	10	24
119172-44310	32	27
119172-44440	32	6
119172-48010	18	33 -1
119172-48130	1	42 -1
	12	12 -1
	13	23 -1
	48	21 -2
	49	13 -1
	63	11 -1
119172-48190	11	21 -1
	48	22 -3
	49	7 -1
	52	19 -1
	56	5 -1
	57	9 -1
119172-48250	11	38 -1
	26	5 -1
	36	19 -1
		27 -1
	37	21 -1
		24 -1
	57	10 -1
119172-48280	11	38
119172-48350	11	23 -1
		35 -1
	18	34 -1
119172-48410	18	17 -1
	34	20 -1
	35	12 -1
	36	13 -1
	37	9 -2
119172-48480	33	7 -1
	34	6 -1
	35	2 -1
		4 -1
		5 -1
		9 -1
		22 -1
	36	14 -1
	37	9 -1
		10 -2

Parts No.	Fig. No.	Ref. No.
119172-48480	58	7 -1
119172-48540	33	8 -1
		10 -1
	34	3 -1
		7 -1
		13 -1
		21 -1
	37	10 -1
	58	8 -1
119172-49130	35	19
119172-49170	35	18
119172-49190	34	18 -1
	35	17
119172-49310	35	16
119172-49350	37	19
119172-49360	37	19 -1
119172-49600	35	24
119172-49610	35	25
119172-49650	58	6
119172-51931	42	2
119172-53050	46	30
119172-55650	51	12
	71	1
119172-55800	51	2 -1
119172-55810	51	8 A
	71	2
119172-59201	49	3
119172-59210	49	3 -1
	71	3
119172-59810	47	22
119172-59820	47	23
119172-59830	47	24
119172-59840	47	25
119172-67160	54	1
119172-77150	61	26
	75	1
119172-77160	9	46
	10	46
119172-77650	64	13
119172-77820	62	1 A
119172-77830	62	1 A-1
119172-77831	62	1 A-2
119172-77840	71	4
119173-03020	11	25
119173-03030	11	9
		27
119173-07450	8	17 A
119173-07520	8	18 A
119173-07600	8	17 D
119173-08100	4	1

Parts No.	Fig. No.	Ref. No.
119173-08100	5	1
119173-08110	58	3
119173-08330	4	5
119173-08440	4	5 A
	5	13
119173-11080	9	5
119173-11090	9	6
119173-11091	9	6 -1
119173-11101	9	14
119173-11110	9	15 A
119173-11240	9	28
119173-11300	11	3
119173-11350	9	38
119173-18041	16	1
119173-18150	19	20 -1
119173-22051	21	11
119173-22300	21	9
		19
		29
119173-33160	22	1 -1
119173-39300	25	7
119173-39510	25	14
119173-44131	31	8 -2
119173-49020	18	27
119173-49160	1	37
119173-49170	1	40
119173-49670	58	4 A
119173-49680	58	5 A
119173-53050	46	18
119173-55700	50	13
	51	1
119173-59460	48	5
119173-59540	48	3 -2
119173-59810	47	13
119173-59820	47	14
119173-59830	47	15
119173-59840	47	16
119173-61200	43	97
119173-61400	43	8
119173-61651	43	123
119173-61660	43	124
119173-77851	62	1 -1
119173-77860	62	1 -2
119173-77861	62	1 -3
119173-77880	64	6
119173-77900	64	6 -1
119173-77901	64	6 -2
119174-01200	1	32
119174-01330	1	34
119174-01340	1	33

Parts No.	Fig. No.	Ref. No.
119174-01340	69	2
119174-01350	1	35
119174-01932	11	8
119174-03192	11	15
119174-13201	13	3
	32	33
	69	10
119174-25060	14	10
119174-39560	1	48
119174-39700	11	19
119174-49250	36	4
		4 -2
119174-49310	36	24
	37	15
119174-49341	36	17
119174-61500	43	18
119174-61550	43	115
119174-67450	53	24
119174-67900	53	25
119175-01500	3	5 -1
119175-01501	3	5 -2
119175-01650	3	10
119175-03021	11	7
119175-03100	11	22
		33
119175-03250	72	1
119175-03260	72	2
119175-07260	8	35
119175-07400	8	17
119175-07450	8	17 -1
119175-07520	8	18
119175-07600	8	17 C
119175-08110	4	6
119175-08111	4	6 -1
119175-08120	4	3
	5	11
119175-08160	4	8
	5	2
119175-08300	4	10
119175-08301	4	10 -1
	5	5
119175-08320	4	11
	5	6
119175-08330	4	16
	5	18
119175-08440	4	5 -1
		5 A-1
	5	13 -1
119175-11910	9	24 -1
	10	22

## Parts No. Index

Parts No.	Fig. No.	Ref. No.
119175-12110	12	2
119175-13110	13	1
119175-13111	13	1 -1
119175-13112	13	1 -2
119175-13113	13	1 -3
119175-13140	13	2
		2 -1
119175-13150	9	23
119175-13200	18	6
		18
119175-13220	18	8
		20
119175-13250	18	9
		9 -2
		21 -1
119175-13260	18	9 -1
		21
119175-13300	18	28
119175-13301	18	28 -1
119175-13320	18	29
119175-13510	13	30
		18
		38
119175-13511	13	30 -1
		30 -2
		18
		38 -1
119175-13520	18	46
119175-13521	18	46 -1
119175-13620	18	35
119175-13700	18	30
119175-13800	18	36
119175-18030	15	1
119175-18031	15	1 -1
119175-18100	19	1
119175-18110	19	2
119175-18120	19	3
119175-18130	19	4
119175-18140	19	5
119175-18150	19	20
119175-18160	19	8
119175-18250	19	21
119175-18520	19	18
119175-18530	19	19
		19 -2
119175-18550	19	19 -1
119175-18590	19	22
		28
119175-18850	15	35
		16
		35
		17
		37
119175-21500	3	14

Parts No.	Fig. No.	Ref. No.
119175-21510	3	14 -1
119175-26300	55	2
119175-26500	55	8
119175-26520	56	7
		7 -2
		7 -1
119175-26530	56	7 -1
119175-26540	32	22
119175-26550	55	3
119175-26600	57	1
119175-26610	57	2
119175-26650	57	3
119175-26660	57	4
119175-26700	57	1 -1
119175-26710	57	2 -1
119175-33080	22	5
		31
		5
119175-33150	22	1
119175-33200	22	2
		12
119175-33310	22	18
		31
		26
119175-33320	22	13
		31
		21
119175-33330	22	14
		31
		22
119175-33340	22	19
		31
		27
119175-33350	22	15 -1
		20
		31
		23 -1
		28
119175-33360	22	15
		31
		23
119175-33370	22	16
		31
		24
119175-33380	22	21
		31
		29
119175-33390	22	17
		31
		25
119175-33400	22	22
		31
		30
119175-34811	6	14
119175-34850	6	16
119175-34851	6	16 -1
119175-35150	24	29
119175-35170	24	29 -1
119175-35180	24	27
		30
		70
		1
119175-35200	24	25

Parts No.	Fig. No.	Ref. No.
119175-35300	70	2
119175-35310	70	3
119175-35320	70	4
119175-39050	27	1
119175-39060	27	2
119175-39100	70	5
119175-39110	70	6
119175-39120	27	6
119175-39140	27	9
119175-39160	27	7
119175-39170	27	8
119175-39180	27	10
119175-39190	27	11
119175-39350	25	10
119175-39600	63	2
119175-39660	26	2
119175-39700	25	25
119175-39710	25	25 -1
119175-39720	25	8 -1
119175-39820	26	4
119175-42500	28	1
119175-42510	28	6
119175-42520	28	7
119175-42530	28	8
119175-42540	28	9
119175-42550	28	2
119175-42560	28	3
119175-42570	28	4
119175-42580	28	10
119175-42610	28	12
119175-42620	28	16
119175-44080	31	1
		20
		8
119175-44130	31	8
119175-44131	31	8 -1
119175-44180	31	14
119175-44181	31	14 -1
119175-44200	22	8 -1
		31
		9
119175-44700	13	20
119175-44800	13	21
119175-48600	18	2
		2 A
119175-48620	18	10
119175-48630	18	2 -1
119175-48640	18	31
119175-48650	18	10 -1
		22
119175-48660	18	31 -1
119175-49010	18	13

Parts No.	Fig. No.	Ref. No.
119175-49020	18	13 A
		13 A-1
		15
119175-49030	33	1
		34
		1
		35
		1
119175-49100	36	9
119175-49120	36	10
119175-49150	36	11
119175-49160	34	17 -1
119175-49180	34	22
119175-49200	36	12
119175-49210	36	4 -1
119175-49250	33	2
		34
		2
119175-49300	36	23
		37
		14
119175-49310	34	4
119175-49320	34	5
119175-49330	34	4 -1
119175-49340	34	5 -1
		35
		3
119175-49350	36	26
119175-49370	36	18 -1
		37
		20
119175-49500	18	32
119175-49510	18	37
119175-49520	18	25
119175-49530	18	32 -1
119175-49540	18	37 -1
119175-49550	18	25 -1
119175-49700	33	4
		58
		5
119175-49710	33	5
		58
		4
119175-51030	41	69
119175-51070	41	43
119175-51340	41	30
119175-53050	46	2
119175-53300	46	13
119175-55650	50	12
119175-59500	48	14 -1
119175-59550	48	16
		49
		15
119175-59560	48	17 -2
119175-66120	53	1
119175-66150	53	27
119175-67250	13	15
119175-67310	53	2
119175-67350	53	4

## Parts No. Index

Parts No.	Fig. No.	Ref. No.
119175-67400	53	28
119175-77270	60	27
119175-77280	75	2
119175-77410	72	19
119175-77500	62	38
119175-77600	64	4
119175-77610	64	5
119175-77620	64	5 -1
119175-77800	62	39
119175-77810	62	1
119175-77850	62	2
119175-91030	63	3
119175-91040	63	4
	72	8
119175-91050	63	5
		17
	64	7
	72	9
119175-91060	72	10
119175-91070	63	18 -1
119175-91080	63	18
119175-91090	63	19
119175-91130	65	1
119175-91131	65	1 -1
119175-91160	66	1
119175-91161	66	1 -1
119175-91162	66	1 -2
119175-91163	66	1 -3
119175-91190	67	1
119175-91191	67	1 -1
119175-91192	67	1 -2
119175-91193	67	1 -3
119175-91510	72	20
119175-91560	72	21
119175-91600	72	22
119175-91610	72	23
119175-91620	72	24
119175-91630	72	26
119175-91640	72	27
119175-91650	72	28
119181-01990	1	38
119181-22080	21	1
119181-22081	21	1 -1
119181-39400	25	1
119181-39401	25	1 -1
119181-39500	25	13
119181-49741	33	6
	58	11
119181-59120	47	1
		1 -2

Parts No.	Fig. No.	Ref. No.
119181-59120	47	11 -1
119181-59130	47	1 -1
		11
119181-59811	47	3
119181-59821	47	4
119181-59831	47	5
119181-59841	47	6
119181-59950	48	19
119182-59562	49	10
119184-01730	6	5
119187-01930	11	26
119187-32000	24	5
119187-35100	24	14
119187-35160	25	6
		22
119187-35161	25	6 -1
		22 -1
		8
119187-39320	25	9
119187-39330	25	9
119187-39360	25	11
119187-39370	25	12
119187-39610	26	1
119187-39650	1	52
119187-49321	36	25
	37	16
119187-49331	36	16
	37	17
119187-49340	37	18
119187-49350	36	26 -1
119187-49360	36	18
		18 -2
	37	20 -1
119187-51500	41	41
119187-59011	48	1
119187-59012	48	1 -1
119187-59013	48	1 -2
119187-59020	48	2
119187-59021	48	2 -1
119187-59022	48	2 -2
119187-59530	48	3
119187-59532	48	3 -1
		4
119187-61071	43	87
119187-61190	43	58
119187-61300	43	104
119187-61911	43	27
119187-61920	43	28
119187-61930	43	29
119195-14000	14	1
119195-18860	15	32

Parts No.	Fig. No.	Ref. No.
119195-18860	16	30
	17	34
119195-18880	15	33 -1
		36
	16	31
		36
	17	35
		38
119573-51200	41	17
119573-61010	43	4
119573-61030	43	3 A
119573-77201	61	1
		1 -1
119574-07400	8	16
119574-18490	63	9
119574-18790	19	7
119574-18910	15	29 -1
	16	33 -1
	17	29 -1
119574-39200	27	3
	70	7
119574-44150	22	3
		23
	31	2
		31
	56	13
119574-44180	22	4
	31	4
119575-01750	3	6 -1
119575-77050	64	1
119575-77060	64	2
119575-77070	64	3
119575-77071	64	3 -1
119575-77510	62	12 -2
119575-77511	62	12 -3
	72	7
119588-52180	44	15
119588-52190	44	16
119588-61700	43	50
119593-01870	1	10
119593-11110	9	15
119593-11911	9	24
119593-18480	12	7 -1
119593-39450	57	7
119593-51100	41	10
119593-51300	41	26
119593-51520	41	44
119593-51530	41	45
119593-52000	44	1
119593-52180	44	17

Parts No.	Fig. No.	Ref. No.
119593-53120	46	6
119593-61100	43	90
119593-61110	43	91
119593-61120	43	92
119593-61130	43	93
119593-61140	43	94
119593-61150	43	95
119593-61650	43	44
119593-61760	43	51
119593-61800	43	53
119593-61830	43	57
119593-61860	43	60
119593-61890	43	61
119593-61900	43	126
119593-61910	43	127
119593-61920	43	128
119593-61990	43	131
119594-53290	46	12
119594-61850	43	59
119595-13200	13	3 -1
	32	33 -1
119595-44600	13	18
119595-61170	43	36
119620-01750	3	6
119620-49290	19	9 -1
	22	10 -1
	31	10 -1
	32	23
119625-11870	9	41
	10	40
119625-11880	9	42
	10	41
119640-01640	6	3
		22
119773-07280	8	15
119773-13160	32	4 -1
119773-13250	18	3
		11
		23
119773-13300	18	4
		12
		24
119773-13500	18	1
		1 -1
		16
119773-13501	18	16 -1
119773-18350	19	6
119773-33060	22	7
	31	3
119773-33080	22	6

## Parts No. Index

Parts No.	Fig. No.	Ref. No.
119773-33080	31	6
119773-48640	34	14
		14 -2
119773-55750	56	12 -1
119773-55760	56	14
119773-55800	56	12
119773-55850	56	18
119773-55870	56	15
119773-55890	56	16
119773-77030	62	5 -1
119773-77330	55	4
119773-91140	65	33
119773-91141	65	33 -1
119773-91170	66	38
119773-91171	66	38 -1
119773-91220	67	43
119773-91221	67	43 -1
119773-91230	66	9
	67	9
119773-91231	66	9 -1
	67	9 -1
119773-91240	65	6
119773-91260	65	5
119773-91261	65	5 -1
119773-91280	66	8
	67	8
119773-91281	66	8 -1
	67	8 -1
119773-91300	63	20
119773-91301	63	20 -1
119773-91380	62	34
119773-91500	62	16
119773-91501	62	16 -1
119773-91600	63	21
119773-91650	62	35
119773-91700	62	36
119773-91850	62	15 -1
		23 -1
	72	29
119775-33200	22	8
119775-33620	22	9
119775-33650	31	7
119775-48640	34	14 -1
119778-07500	8	13
119778-08200	3	11
119778-08350	3	12
119778-26620	56	1
119778-26660	57	5
119778-26750	56	2
119778-26800	57	6

Parts No.	Fig. No.	Ref. No.
119778-49050	34	15
119778-49150	34	16
119778-49170	34	18
119778-49200	34	19
	35	11
119778-85500	58	1
119778-91500	62	27
119779-08350	3	18
119779-49050	34	15 -1
119779-49150	34	16 -1
	35	10
119787-26100	55	1
119793-49150	34	17
119885-01990	9	13 -1
	10	13 -1
120130-39990	24	10 -1
120130-49350	19	9
	22	10
	31	10
120130-61600	43	25
120147-91760	67	14
120270-77101	62	31
120320-61540	43	34
120323-61420	43	10
120323-61430	43	7
120324-07240	8	1
120324-55750	52	1
120324-55751	52	1 -1
120324-55760	52	5
120325-61100	43	145 -1
120445-44530	32	29
120445-44540	31	17
	32	30
120445-44640	13	7
		19
	32	13
		21
120445-49150	37	1
120650-42310	28	5 -1
121023-01550	2	3
121023-01551	2	3 -1
121236-77340	60	22
	61	23
		23 -1
	75	4
121250-49110	56	3
121252-39150	26	3
	63	1
121254-77012	59	1
121254-77019	59	1 -1

Parts No.	Fig. No.	Ref. No.
121254-77402	59	2
121254-77410	59	3
121254-77420	59	4
121254-77480	59	5
121254-77511	59	7
121254-77521	59	8
121254-77541	59	9
121254-77550	59	10
121254-77560	59	11
121254-77571	59	12
121254-77581	59	13
121254-77590	59	14
121254-77600	59	15
121254-77640	59	18
121254-77661	59	20
121254-77670	59	21
121254-77671	59	21 -1
121254-77681	59	22
121254-77700	59	24
121254-77730	59	27
121254-77770	59	31
121254-77790	59	33
121254-77810	59	34
121550-49111	1	36
121574-86320	53	13
121575-91250	65	10
	66	13
	67	16
121750-03080	11	12
		30
121750-59890	11	18
		34
	48	6
	62	4
121750-59910	48	18
121820-52020	44	2
121820-52040	44	4
121820-52050	44	5
121820-52070	44	6
121820-52200	44	18
121820-52210	44	19
121820-52230	44	20
121820-52300	44	22
121820-52510	44	23
121850-01800	2	6
121850-01900	45	48
121850-01920	2	7
121850-03050	11	10
		28
121850-11100	10	14

Parts No.	Fig. No.	Ref. No.
121850-11150	9	18
	10	18
121850-11160	9	7
	10	7
121850-21130	3	1
121850-21200	20	4
		15
121850-21290	20	5
		16
121850-21660	20	10
		21
121850-21680	20	11
		22
121850-21920	20	7
		18
121850-23200	21	35
121850-42250	30	7
121850-42280	30	10
121850-49540	13	33
	30	12
121850-49550	30	13
121850-49810	30	14
121850-49811	30	14 -1
121850-51700	41	51
121850-61470	43	15
121850-61670	43	47
121857-55630	51	3
121857-55710	51	4
121857-55730	51	5
121857-55740	51	6
121857-55750	51	7
121857-55760	51	8
121857-55800	51	2
121952-51900	41	54
		55
122710-51050	41	5
122710-51350	41	37
122780-59080	47	26
122780-59100	47	7
		17
123325-35140	50	2
		10 A
123325-35160	50	3
123325-35170	50	4
123325-42020	29	5
123325-42021	29	5 -1
123325-59420	48	13
	52	14
123472-42060	29	10
123472-42090	29	11

## Parts No. Index

Parts No.	Fig. No.	Ref. No.
123472-42140	29	13
123472-42150	29	12
123472-59090	47	30
123482-39680	62	11
	72	5
123482-91291	65	11
	66	14
	67	17
123672-55750	50	8
123672-55760	50	9
123672-55811	52	13
123672-84530	23	5
		6
123682-07852	8	34
123682-77710	62	6
123900-77700	74	2
123900-77730	74	3
124060-01050	1	6 -2
124060-39451	62	10
124060-39452	62	10 -1
	72	4
124070-13300	6	6
124080-77390	61	10
124080-77490	60	3
124080-77520	61	12
124160-01751	11	1
124160-39140	12	10
124410-51861	44	21
124410-51960	41	70
	45	51
124411-01780	7	3
124411-03051	11	11
		29
124411-11180	9	20
	10	19
124411-35520	23	4
124413-39100	24	9
124450-01980	48	10 -2
124460-77680	1	41
	32	24
	37	8
124550-21600	3	4
124550-77030	59	37
	62	5
124610-01851	2	21
124610-01862	2	22
124610-51970	43	3
124616-61580	43	118
124616-91370	64	8
124617-11120	9	16

Parts No.	Fig. No.	Ref. No.
124617-11120	10	16
124617-11130	9	17
	10	17
124617-91850	62	15
		23
124617-91980	65	4
		37
	66	4
		42
	67	4
		47
124617-91990	65	34
	66	39
	67	44
124770-49310	62	3
124770-77940	48	7
	49	16
124790-44560	31	18
	32	31
124976-34850	6	7
126650-42301	29	3
127488-18910	19	23
127495-61540	43	23
127495-61660	43	46
127610-42200	28	5
127610-49010	33	9
	34	12
127610-91350	62	14
	72	12
127611-48600	38	1
127620-91250	67	11
127687-18910	15	29
	16	33
	17	29
127687-91870	65	7
	66	41
	67	46
127687-91880	65	36
	66	40
	67	45
127692-91410	65	30
	66	35
	67	40
127692-91440	65	31
	66	36
	67	41
127692-91450	65	32
	66	37
	67	42
127695-18490	12	7

Parts No.	Fig. No.	Ref. No.
127695-18490	12	7 -2
127695-35150	24	12
127695-61071	43	88
127695-61450	43	14
127695-61551	43	159
127695-61840	43	5
127695-61961	43	130
128170-86500	53	30
	54	17
128170-86501	53	31
	54	21
128170-91160	62	13
	72	11
128171-07150	8	14
128271-77200	60	1 -1
		1 -2
	74	1
		1 -1
128271-77730	74	4
128271-77740	74	5
128271-77750	74	6
128296-07190	8	8
128296-07260	8	2
128296-07300	8	3
128296-07350	8	4
128296-07400	8	9
128296-07420	8	10
128296-07450	8	11
128296-07460	8	12
128300-13230	15	34
	16	32
	17	36
	69	5
128391-91440	65	23
128391-91640	65	22
128391-91700	65	35
128391-91740	65	24
128391-91930	65	18
128695-44090	1	39
	36	1
129100-01580	1	15
		16
		17
	2	8
129100-61930	43	129
		164
129100-77910	62	12
129107-44590	13	6
	32	11
129122-44480	11	16

Parts No.	Fig. No.	Ref. No.
129122-44480	11	20
129150-11750	9	32
	10	32
129155-51020	41	64 -1
129155-51270	41	24
129155-51280	41	25
129170-91610	65	25
	66	30
	67	34
129170-91650	65	8
	66	11
129170-91800	65	13
	66	16
	67	19
129170-91810	65	17
	66	10
	67	7
129170-91890	66	19
129170-91930	66	20
129171-44600	13	4
	32	9
129198-07213	72	17
129198-59540	25	2
129470-11920	46	10
		26
		38
129470-59530	48	14
129470-67320	53	3
129470-91190	65	16
	66	7
	67	23
129490-77910	62	12 -1
129491-59540	48	15
	49	8
129495-55600	50	1
129495-55610	50	5
129495-55620	50	6
129495-59300	48	12
129495-59561	48	17
129495-59563	48	17 -1
129574-77710	62	25
129574-77720	62	26
129574-77740	62	40
129574-77980	62	22
129574-91200	65	2
	66	2
	67	2
129574-91210	66	5
	67	5
129574-91220	66	6

## Parts No. Index

Parts No.	Fig. No.	Ref. No.
129574-91220	67	6
129574-91221	66	6 -1
	67	6 -1
129574-91240	67	10
129574-91311	67	49
129574-91410	65	9
	66	12
	67	15
129574-91420	65	20
	66	22
	67	26
129574-91430	66	25
	67	29
129574-91440	66	28
	67	32
129574-91490	67	12
129574-91560	62	20
129574-91561	62	20 -1
129574-91570	62	21
129574-91600	67	38
		38 -1
129574-91620	65	19
	66	21
	67	25
129574-91630	66	24
	67	28
129574-91640	66	27
	67	31
129574-91650	65	29
	66	34
	67	39
129574-91710	65	26
	66	31
	67	35
129574-91720	65	21
	66	23
	67	27
129574-91730	66	26
	67	30
129574-91740	66	29
	67	33
129574-91750	65	27
	66	32
	67	36
129574-91760	65	38
	66	43
	67	48
129574-91770	65	28
	66	33
	67	37

Parts No.	Fig. No.	Ref. No.
129574-91780	65	14
	66	17
	67	20
129574-91790	65	15
	66	18
	67	21
129574-91870	65	3
	66	3
	67	3
129574-91880	67	13
129574-91890	67	22
129574-91930	67	24
129590-18520	12	8
129590-67310	53	19
129595-61600	43	35
129595-61610	43	6
129595-61620	43	37
129595-61670	43	48
129595-61671	43	48 -1
129595-61680	43	49
129595-61681	43	49 -1
129670-42550	28	11
129670-42560	28	14
129670-49290	1	39 -1
	36	1 -1
	37	5
129685-11930	46	10 -1
		26 -1
		38 -1
129693-44320	32	26
129693-51990	42	15
129772-77200	60	1
129792-39610	26	4 -1
129795-61470	43	16
129900-77810	74	7
129901-59580	49	11 -1
129908-77200	75	11
129930-61970	42	19
129930-61980	42	21
135200-52170	44	14
135210-61090	43	89
135400-01790	1	30
135602-34390	1	14
137600-53900	41	57
144606-54900	45	57
144606-54910	45	58
144626-51090	41	9
144626-51950	41	56
144626-61781	43	52
		125

Parts No.	Fig. No.	Ref. No.
144626-91570	62	17
148616-61650	43	45
158563-51662	41	60 -1
158600-51270	41	24 -1
171051-01921	1	4
171353-61460	43	113
177073-02431	8	5
177074-03951	3	16
177074-06300	62	28
177074-06350	62	29
177074-06600	62	30
177522-80010	77	4
177522-80020	77	5
177522-80030	77	6
177522-80040	77	7
177523-80010	77	1
177523-80020	77	2
177523-80030	77	3
177524-02210	76	2
177524-02211	76	2 -1
177524-02221	76	3
177524-02230	76	4
177524-03701	76	5
183350-55130	62	37
	72	6
189010-92020	68	2
194170-65891	8	7
194250-51660	57	8
194256-04820	49	1
196346-34860	56	8
196630-12980	8	6
22117-050000	43	62
		132
22117-060000	53	5
	54	18
22117-080000	43	63
		64
		133
22117-120000	6	8
22117-200000	4	12
	5	7
22137-060000	53	5 -1
22137-080000	13	8
		8 -1
		29
	19	10
		24
	24	17
	43	65
	52	17

Parts No.	Fig. No.	Ref. No.
22137-100000	55	11
	60	24
	61	28
	75	6
22137-120000	59	39
22190-060000	41	58
22190-060002	48	23 -1
	49	14
22190-080000	43	66
22190-080002	25	3
	43	66 -1
		134
		134 -1
	48	24 -1
22190-080003	2	17
22190-100002	43	135
22190-120002	43	67
		67 -1
		136
		137
	49	5
		6
		9
		12
		12 -1
22190-140002	48	8
		9
		10 -1
		20
22190-160002	43	68
22190-220002	6	4
		24
22217-040000	72	37
22217-050000	54	7
22217-060000	43	138
	44	24
	53	6
22217-080000	43	69
	52	18
	54	8
22217-120000	59	40
22217-140000	42	11
22217-200000	4	13
	5	8
22242-000100	54	6
22242-000180	9	39
	10	38
22242-000200	41	15
22252-000370	21	10
		20

## Parts No. Index

Parts No.	Fig. No.	Ref. No.
22252-000370	21	30
22252-000470	29	15
22272-000040	43	31
		70
		139
22272-000060	43	71
		72
		140
22272-000080	43	73
		74
22272-000100	43	141
22276-000060	43	72 -1
		140 -1
22276-000100	43	141 -1
22322-030220	43	12
22351-020008	41	67
22351-020012	41	68
22351-030010	1	31 A
22351-030016	43	56
		75
22351-030025	43	142
22351-040008	1	31
22351-050012	45	53
22351-050020	43	143
22351-080016	1	18
22360-050000	53	7
22360-060000	53	20
		54
		19
22372-050000	43	144
22414-250150	53	14
		26
22453-060000	43	145
22492-060362	43	76
22512-070140	14	5
	20	8
		19
23000-013000	12	12
	13	23
	48	21
		22
	63	11
23000-016000	1	42
	48	21 -1
		22 -2
		49
		13
		52
		19
		56
		5
		57
		9
23000-019000	48	22 -1
	49	7

Parts No.	Fig. No.	Ref. No.
23000-022000	11	21
	26	5 -2
23000-025000	26	5
	36	19
		27
		21
		24
23000-028000	57	10
23000-035000	11	23
		35
		18
		34
23000-041000	34	20
	35	12
23000-048000	18	5
		17
		33
		7
		34
		6
		35
		4
		9
		22
		5
	36	13
		9
		7
23000-054000	33	3
		8
		10
		3
	34	7
		13
		21
		2
		5
		23
		6
	36	14
		10
		8
23000-060000	34	8
23000-127000	18	33
23010-013000	31	19
	32	32
23061-070300	1	43
		31
		11
		32
		25
		36
		7
		37
		11
23072-122000	35	8
23297-060081	25	4
23297-080081	13	24

Parts No.	Fig. No.	Ref. No.
23297-140081	72	30
23414-060000	48	23
23414-080000	11	36
	19	11
	23	16
	48	24
23414-080012	13	9
		25
23414-100000	1	29
	12	13
	26	6
	63	6
23414-120000	12	3
		14
	63	12
23414-130000	18	47
23414-140000	1	19
	48	10
	52	20
23414-140018	48	26
	56	17
23414-170000	13	10
	32	15
23414-180000	23	7
23414-200000	12	15
23414-220029	41	59
23857-030000	1	51
	13	26
23857-060000	63	13
23857-080000	48	11
	52	21
23871-005000	9	9
23871-010000	1	6
23871-030000	1	7
	9	10
	24	28
	30	2
	36	20
	62	18
23875-030000	36	20 -1
	37	22
23876-005000	9	9 -1
	10	9
23876-010000	1	6 -1
	12	17
	62	24
	63	14
23876-030000	1	7 -1
	9	10 -1
	10	10

Parts No.	Fig. No.	Ref. No.
23876-030000	24	28 -1
		28 -2
	62	18 -1
	72	13
23887-100002	43	146
23887-120002	12	4
	43	147
23887-160002	43	77
23887-200002	12	16
23893-020002	18	48
23894-030002	13	11
	32	16
24101-060064	28	18
	29	18
24104-062044	29	14
24190-280001	72	3
24311-000110	43	148
24311-000120	24	18
	25	15
	43	78
	50	10
24311-000140	3	7
24311-000160	3	7 -1
24311-000180	24	19
24311-000220	24	23
24311-000320	11	2
24311-000360	30	6 A
24311-000700	70	8
24311-001000	32	17
24313-000200	29	16
24316-000200	26	7
24321-000300	32	18
	35	14
24321-000700	29	9
24341-000080	43	79
24341-000100	6	17
24341-000240	2	9
24341-000260	41	60
24341-000500	41	61
	42	4
24341-000800	24	6
	28	19
	29	19
24341-001350	42	12
	45	54
24352-010160	41	62
24356-190150	41	62 -2
24356-190160	41	56 -1
		62 -1
26013-080162	24	24



## Parts No. Index

Parts No.	Fig. No.	Ref. No.
26016-080202	53	15
26022-050162	53	16
26106-060102	35	20
	53	8
26106-060122	24	13
	25	16
	27	4
	37	23
	43	149
		150
	62	19
	64	9
	72	31
26106-060162	26	8
26106-060182	2	10
	11	14
		31
	41	63
	43	80
26106-060202	13	34
	25	17
	30	15
	47	8
		18
		28
		32
	53	9
	62	19 -1
	72	14
26106-060222	43	151
26106-060252	47	9
		19
	56	9
26106-060302	43	152
	59	35
26106-060352	35	15
26106-060402	43	153
26106-060452	11	13
		32
	13	35
	30	16
	59	36
26106-060502	32	19
26106-080102	18	40
	48	25
26106-080122	1	44
	11	24
	13	12
	18	41
	19	12

Parts No.	Fig. No.	Ref. No.
26106-080122	23	17
	25	5
	43	158 -1
	53	21
	54	20
	62	7
	63	7
	72	15
26106-080142	13	13
	61	25
	64	10
	75	7
26106-080162	6	18
	13	27
	14	8
	18	14
		26
	24	3
		11
	25	18
	26	9
	27	5
	30	8
	36	8
		21
	37	12
	42	5
	54	9
	56	4
	62	8
	63	15
	72	32
26106-080182	13	16
	55	5
26106-080202	2	11
		12
		24
	12	5
	13	31
		31 -1
	18	42
	19	13
	23	11
		12
	28	20
	29	20
	32	12
	56	6
		10
	60	28

Parts No.	Fig. No.	Ref. No.
26106-080202	75	8
26106-080222	31	12
26106-080252	2	25
	6	9
	7	4
	11	6
	18	43
	22	11
	24	7
	25	19
	31	13
	32	20
	42	13
	45	55
	54	10
	64	14
	72	33
26106-080282	64	15
26106-080302	19	14
		25
	25	20
		24
	42	6
	62	32
	70	9
	76	9
26106-080352	1	45
	2	18
	6	10
	23	13
		14
26106-080402	1	46
	2	13
	52	22
26106-080452	2	14
	24	8
26106-080502	2	26
	23	15
	24	4
26106-080552	2	15
		27
	24	15
26106-080602	13	28
26106-080652	2	19
	9	43
	10	43
	30	9
	36	15
26106-080702	6	11
	12	6

Parts No.	Fig. No.	Ref. No.
26106-080702	24	16
26106-080752	2	16
26106-080802	4	9
	5	3
	6	12
26106-080952	2	28
26106-081052	2	20
		28 -1
26106-081102	24	20
26106-081152	24	21
26106-100162	18	45
	25	21
	42	7
26106-100182	13	17
26106-100202	3	17
	9	45
	10	45
	18	44
	52	23
	58	2
26106-100222	58	15
	70	10
26106-100252	3	8
		15
	5	16
	9	45 -1
		47
	10	42
		45 -1
	34	23
	35	21
	58	9
26106-100302	3	9
		13
	4	2
		4
	5	4
		12
	20	24
	55	6
26106-100352	4	4 -1
	5	4 -1
	76	10
26106-100402	51	13
	71	5
26106-100452	53	10
26106-100802	34	9
26106-100902	34	25
26106-101102	75	9
26113-060102	29	4

## Parts No. Index

Parts No.	Fig. No.	Ref. No.
26116-050142	53	11
		22
26116-060306	43	154
26116-081252	19	15
		26
26116-101202	60	25
		61
26116-120302	5	17
		59
26116-120352	4	7
		58
	59	38 -1
26116-120402	58	13
26116-120852	6	13
26136-100252	55	9
26136-100402	55	10
26213-100252	17	33
26216-060162	41	64
26216-080402	51	9
26216-080452	19	16
26216-080652	9	25
		10
26216-100402	50	14
26223-100252	15	30
		16
	17	30
	32	14
26226-080452	19	16 -1
26226-100322	45	48 -1
26306-080002	9	27
		10
	13	14
	19	17
	25	26 -1
	28	21
	29	21
	32	28
	51	10
	52	15
26306-100002	34	24
		45
	50	15
	60	26
	61	30
	75	10
26331-060002	72	25
26366-060002	9	26
		10
	47	10
		20

Parts No.	Fig. No.	Ref. No.
26366-060002	47	29
		33
	62	9
	63	8
	64	11
	72	16
26366-080002	25	26
		41
26367-060002	63	16
26376-120002	43	155
		55
26450-050122	59	32
26557-040062	11	17
		72
26557-040202	72	35
26557-050122	54	15
26577-060162	43	32
26667-080002	43	81
		156
26703-100002	15	31
		16
	17	31
26706-100002	52	16
26716-050002	53	23 -1
		54
26716-060002	43	33
		82 -1
	44	25
	56	11
26716-080002	54	12
26716-120002	58	14
26736-200002	4	14
	5	9
26756-050002	53	12
		23
26756-060002	43	82
26756-080002	43	83
		84
		157
	51	11
26756-100002	50	16
26776-140002	42	14
26776-200002	4	15
		5
26777-120002	43	85
		165
26911-080402	43	158
26979-040082	62	33
27231-600000	1	8
27241-100000	9	34

Parts No.	Fig. No.	Ref. No.
27241-100000	10	34
27241-140000	1	9
27241-160000	9	11
		10
27241-280000	9	12
		10
	32	4
27241-400000	9	13
		10
27310-090001	9	21
		10
28110-100130	68	5
28110-120140	68	6
28110-170190	68	7
28110-220240	68	8
28150-050000	68	9
28150-060000	68	10
29621-300000	11	37
		70
	72	36
29622-250001	31	32
		49
	57	8 -1
	64	12
41650-501180	50	11 A
41650-502320	50	9 A
41701-001720	54	13
41710-000410	53	17
	54	14
41710-001300	53	18
41730-000681	53	29
	54	16
43530-500610	33	11
		34
	35	6
43662-030030	33	12
		34
	35	7
43662-030031	33	12 -1
		34
	35	7 -1
43720-001220	24	10
705311-92100	68	1
719000-02800	1	21
719000-02870	1	55
719000-02940	1	61
719000-11651	9	29
719129-11660	10	29
719171-01560	1	1
719171-21701	20	12

Parts No.	Fig. No.	Ref. No.
719171-33100	23	1
719172-11700	10	1
719172-23610	21	38
719172-44500	32	1
719172-53200	46	29
719173-11710	9	1 A
719173-51310	41	1 A
719173-53200	46	17
719173-92600	69	1
719174-23100	21	31
719174-23600	21	36
719174-23601	21	36 -1
719175-11700	9	1
719175-51310	41	1
719175-53200	46	1
719175-54102	45	1 -2
719175-54800	45	1
719175-54801	45	1 -1
719184-21700	20	1
719187-01540	6	1
719187-22502	21	3
		13
		23
719588-54100	45	25 -1
719588-54800	45	25
720445-44200	31	15
777524-02121	76	1
977770-01212	69	9
977780-01200	40	1
977780-01210	39	1
977780-01211	39	1 -1
		40
	73	1
977780-01230	39	2
	40	2
977780-01240	40	3
977780-01250	39	3
977780-03000	39	9
		40
	73	9
X0044021509	39	7
	40	7
	73	7
X0225000630	31	17 A
X0300120414	52	8
X0311121522	52	6
X0313080110	52	12
X0313080922	52	12 -1
X0314080110	52	10
X0318101004	73	2

## Parts No. Index

Parts No.	Fig. No.	Ref. No.
X0534105	28	15
X053421	28	13
X0580121073	52	7
X0582810173	52	4
X0588080273	52	11
X0600160122	52	9
X0993071171	52	12 A
X1466584820	42	17
X158606410X	73	3
X179100011X	40	5
X179100021X	39	5
X179100022X	73	5
X179100100X	39	6
	40	6
	73	6
X199903800X	39	8
	40	8
X199906101X	73	8
X2740134001	52	2
X2740134002	52	2 -1
X6203BM	60	16
X6303BM0000	61	18
X8636008003	39	4
	40	4
X8636015001	73	4
XJD532012	15	27
	16	27
	17	27
XL12013262	60	9
XL13513134	60	12
XL15014042	60	15
XL15018015	60	18
XL1501810	60	19
XL15028001	60	20
XL150M14041	61	17
XL15542001	60	4
XL15571001	60	2
XL155G1315	60	7
XL155G1330	61	8
XL155G6300	60	5
XL180120000	61	4
XL1808320	61	13
XL180G13012	61	6
XL180G43150	61	7
XL180G61000	61	2
XL180G63006	61	5
XL180G85001	61	22
XL2253320	60	13
XL2253400	60	14
XL225431800	61	11

Parts No.	Fig. No.	Ref. No.
XL22553012	60	6
XL2255330	60	8
XL225G1325	61	9
XL225G6500	60	17
XL235340110	61	16
XL2554318	60	11
XN199611	15	33
XNB133206	15	24
	16	24
	17	24
XNH137007	17	19
XNH137423	16	18
	17	18
XNH163006	15	25
	16	25
	17	25
XNH163329	15	17
	16	17
	17	17
XNH163331	15	22
	16	22
	17	22
XNH164105	15	15
	16	15
	17	15
XNH164106	15	14
	16	14
	17	14
XNH164718	15	13
XNH167595	15	16
XNH167596	16	16
XNH167599	17	16
XNH261081	15	3 -1
	16	3
	17	3
XNH261082	15	4 -1
	16	4
	17	4
XNH261103	15	4
XNH261107	15	8
	16	8
	17	8
XNH261112	15	3
XNH261301D	15	2
	16	2
	17	2
XNH263501	15	11
	16	11
	17	11
XNH263502	15	12

Parts No.	Fig. No.	Ref. No.
XNH263502	16	12
	17	12
XNH264962	16	13
	17	13
XNH265520	15	9
	16	9
	17	9
XNH362809	15	21
	16	21
	17	21
XNH961640	15	26
	16	26
	17	26
XNH978919	15	28
	16	28
	17	28
XNN131576	15	5
	16	5
	17	5
XNN137007	15	19
	16	19
XNN137423	15	18
XNN171006	15	6
	16	6
	17	6
XNN193012	15	10
	16	10
	17	10
XNN971007	15	7
	16	7
	17	7
XNN976562	15	20
	16	20
	17	20
XNN977003	15	23
	16	23
	17	23
XTR1Z63	60	10

Parts No.	Fig. No.	Ref. No.
-----------	----------	----------