

OCR10-M63300EN

# Introduction

1. This parts catalog is a first edition of the Electronics Control System for 6LY3 SERIES, 6SY-STP and 8SY-STP.

	Parts catalog No.	Date of issue	Remarks
First edition	000Y00R6330	Jun. , 2005	

2. This parts catalog dose not contain the technical data needed for maintenance service.

3. The illustrations used in this parts catalog have been simplified for clarity.

4. The contents of this parts catalog are subject to change without notice.

5. Be sure to use only Yanmar genuine parts for repairs. If imitation parts are used, it may cause engine defects.

## Directions for the Parts Catalog.

1. This Parts Catalog shows both standard and optional parts.
2. Parts may change without prior notice.
3. The following is an example of the Parts Catalog format.

REF.	LEV.	PARTS NO.	DESCRIPTION	Q'TY						I	R
				(A)	(B)	(C)	(D)	(E)	(F)		
1	1	729595-51390	FUEL INJECTION PUMP	1	1	1	1	1			1
1-1	1	729595-51391	FUEL INJECTION PUMP	1	1	1	1	1		N	1
		(A=E00185) (B=E00200)									
3	2	26022-060162	SCREW M 6X 16	9	9	9	9	9			
3-1	2	26022-060162	SCREW M 6X 16	4	4	4	4	4		K	
		(A=E00156) (B=E00156) (C=E00156) (D=E00156) (E=E00156)									
4	2	129470-51040	CAMSHAFT	1	1	1	1	1			
5	2	122710-51050	BEARING, ROLLER	2	2	2	2	2			
6	2	129470-51060	RETAINER	1	1	1	1	1			

Remarks
(1) BOOST COMPEMSATOR TYPE. OPTIONAL PART, TO E00155,(4JH-DT, 4JH-DTZ

### ① Ref. No.

The Ref. No. listed may not be in accordance with the illustration Ref. No.

(Ex.) Illustration No.

List Ref No.

1

1

(Before change)

1-1

(After change)

For interchangeable symbols N, R and K, illustrations for new parts may be abbreviated.

### ② Lev. (Level)

Level indication

The numbers below indicate the level of relativity towards the main part.

1 ----- Main parts (Assembly parts)

2 ----- Sub component included in " 1 ".

3 ----- Sub component included in " 2 ".

Note) Parts that are not for sale are partially illustrated but not listed.

### ③ Interchangeability Symbol

When a part change takes place, one of the following interchangeability symbols is indicated beside the part.

Symbol	Interchangeability	Contents note
N	Old $\begin{matrix} \leftarrow \text{Yes} \\ \text{No} \rightarrow \end{matrix}$ New	New Part is interchangeable for Old Part but Old Part is not interchangeable for New Part.
Q	Old $\begin{matrix} \leftarrow \text{No} \\ \text{Yes} \rightarrow \end{matrix}$ New	New Part is not interchangeable for Old Part but Old Part is interchangeable for New Part.
R	Old $\begin{matrix} \leftarrow \text{Yes} \\ \text{Yes} \rightarrow \end{matrix}$ New	New/ Old Parts are both interchangeable.
S	Old $\begin{matrix} \leftarrow \text{No} \\ \text{No} \rightarrow \end{matrix}$ New	New/ Old Parts are both not interchangeable.
W		Part newly added.
Z		Part discontinued.
F		Not interchangeable by a single part but interchangeable together with related parts.
K		Changes only for used parts quantities.

### ④ Effective Machine No.

When a part changes, the effective Machine No. will be indicated in the (A)-(F) column.

Product Symbol	Product No.	Product Symbol	Product No.
C	Clutch No. Compressor No.	F	Machine No. (Agricultural Equip.)
D	Drive No.	M	Machine No.
E	Engine No.		

Note 1) A date may follow the symbol. (Ex.) 1996.01

Note 2) "XXXXX" and "ZZZZZ" are for parts that could not be predicted or for engine models that could not be identified.

Note 3) (A=E00185) is the E (Engine Serial Number) for the column (A) model (in this case 4JH-DT) after the parts design change.

### ⑤ Remarks

Figures or alphabets (symbols) are entered in the remarks column.

The comments (remarks) on parts that are indicated at the bottom of the illustration are the same symbols as those stated above.

# Contents

Fig. No.    Fig. Name

## ELECTRONICS CONTROL SYSTEM

1. CONTROL KIT (SINGLE)
2. CONTROL KIT (DUAL)
3. CONTROL HEAD SYSTEM
4. WIRE HARNESS
5. CONTROL KIT (SINGLE)
6. CONTROL KIT (PORT)
7. CONTROL KIT (STARBOARD)
8. CONTROL HEAD
9. WIRE HARNESS
10. METER

Fig. No.    Fig. Name

Fig.1. CONTROL KIT (SINGLE)

(A)=6LY3 SERIES

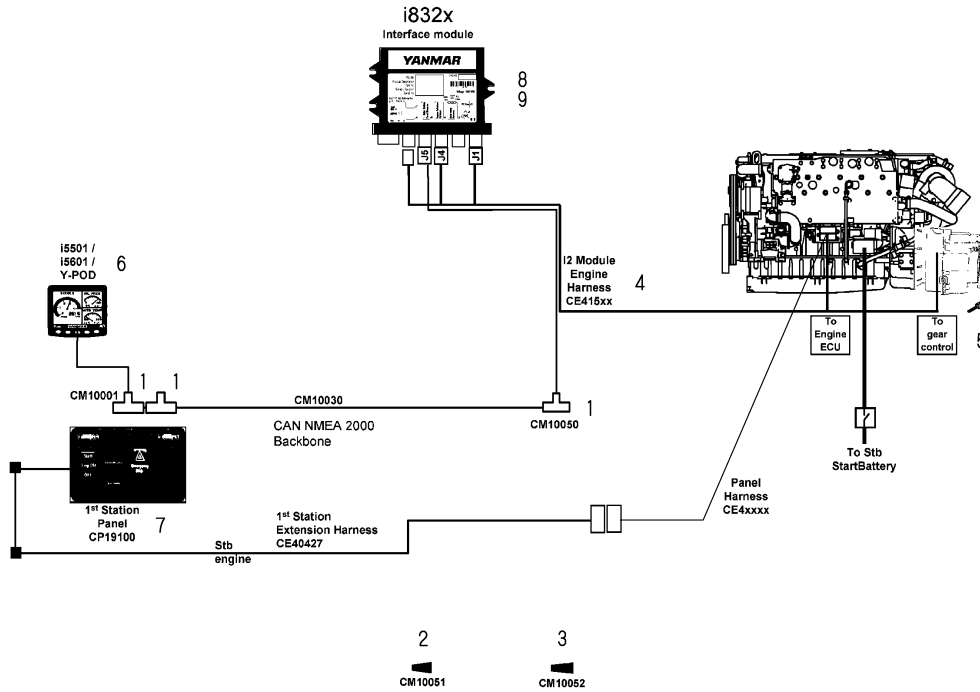
(B)=6SY-STP

(C)=8SY-STP

(D)=

(E)=

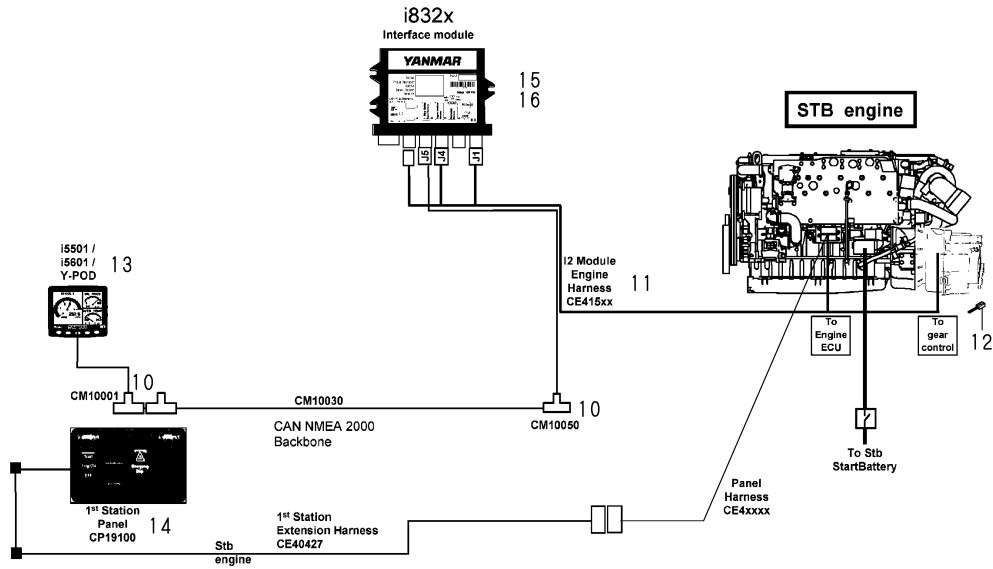
(F)=



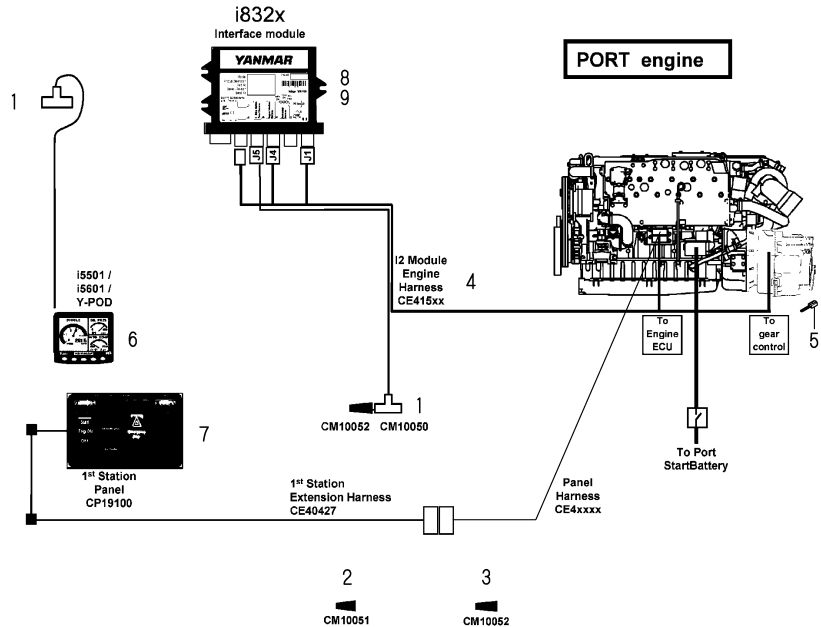
No.	Lev.	Parts No.	Description	Q'ty						I	R
				(A)	(B)	(C)	(D)	(E)	(F)		
1	1	119578-66720	CONNECTOR, T NMEA	3							
1-1	1	119578-66721	CONNECTOR, T NMEA	3							N
(A=EXXXXX)											
1-2	1	119578-66722	CONNECTOR, T NMEA	3							R
(A=EXXXXX)											
2	1	119578-66730	TERMINATOR, FEMALE	1							
2-1	1	119578-66731	TERMINAL, M NMEA	1							R
(A=EXXXXX)											
3	1	119578-66740	TERMINATOR, MALE	1							
3-1	1	119578-66741	TERMINAL, F NMEA	1							R
(A=EXXXXX)											
4	1	119578-77580	I/F HARENSS, 17 FT	1							
5	1	119578-77590	HARNNESS, JUMPER	1							
6	1	119578-91130	DISPLAY, I5501E	1							
7	1	119578-91200	PANEL, 1ST CONTROLL	1							
8	1	119578-77510	INTERFACE, TROLL PORT	1							
9	1	119578-77530	INTERFACE, PORT	1							

Fig.2. CONTROL KIT (DUAL)

STARBOARD



PORT

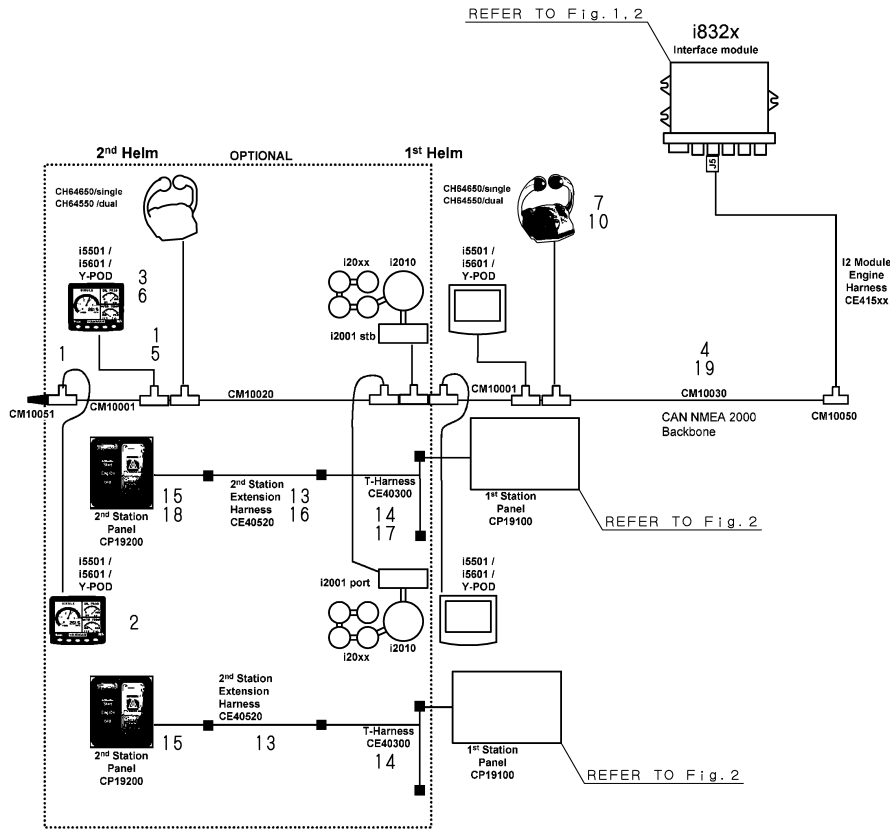


(A)=6LY3 SERIES  
(B)=6SY-STP  
(C)=8SY-STP

(D)=  
(E)=  
(F)=

No.	Lev.	Parts No.	Description	Q'ty						I	R
				(A)	(B)	(C)	(D)	(E)	(F)		
1	1	119578-66720	CONNECTOR, T NMEA	3							
1-1	1	119578-66721	CONNECTOR, T NMEA	3							N
(A=EXXXXX)											
1-2	1	119578-66722	CONNECTOR, T NMEA	3							R
(A=EXXXXX)											
2	1	119578-66730	TERMINATOR, FEMALE	1							
2-1	1	119578-66731	TERMINAL, M NMEA	1							R
(A=EXXXXX)											
3	1	119578-66740	TERMINATOR, MALE	1							
3-1	1	119578-66741	TERMINAL, F NMEA	1							R
(A=EXXXXX)											
4	1	119578-77580	I/F HARENSS, 17 FT	1							
5	1	119578-77590	HARNNESS, JUMPER	1							
6	1	119578-91110	DISPLAY, I5501EP	1							
7	1	119578-91200	PANEL, 1ST CONTROLL	1							
8	1	119578-77510	INTERFACE, TROLL PORT	1							
9	1	119578-77530	INTERFACE, PORT	1							
10	1	119578-66720	CONNECTOR, T NMEA	2							
10-1	1	119578-66721	CONNECTOR, T NMEA	2							N
(A=EXXXXX)											
10-2	1	119578-66722	CONNECTOR, T NMEA	2							R
(A=EXXXXX)											
11	1	119578-77580	I/F HARENSS, 17 FT	1							
12	1	119578-77590	HARNNESS, JUMPER	1							
13	1	119578-91120	DISPLAY, I5501ES	1							
14	1	119578-91200	PANEL, 1ST CONTROLL	1							
15	1	119578-77520	INTERFACE, W TROLL	1							
16	1	119578-77540	INTERFACE, STARBOARD	1							

Fig.3. CONTROL HEAD SYSTEM



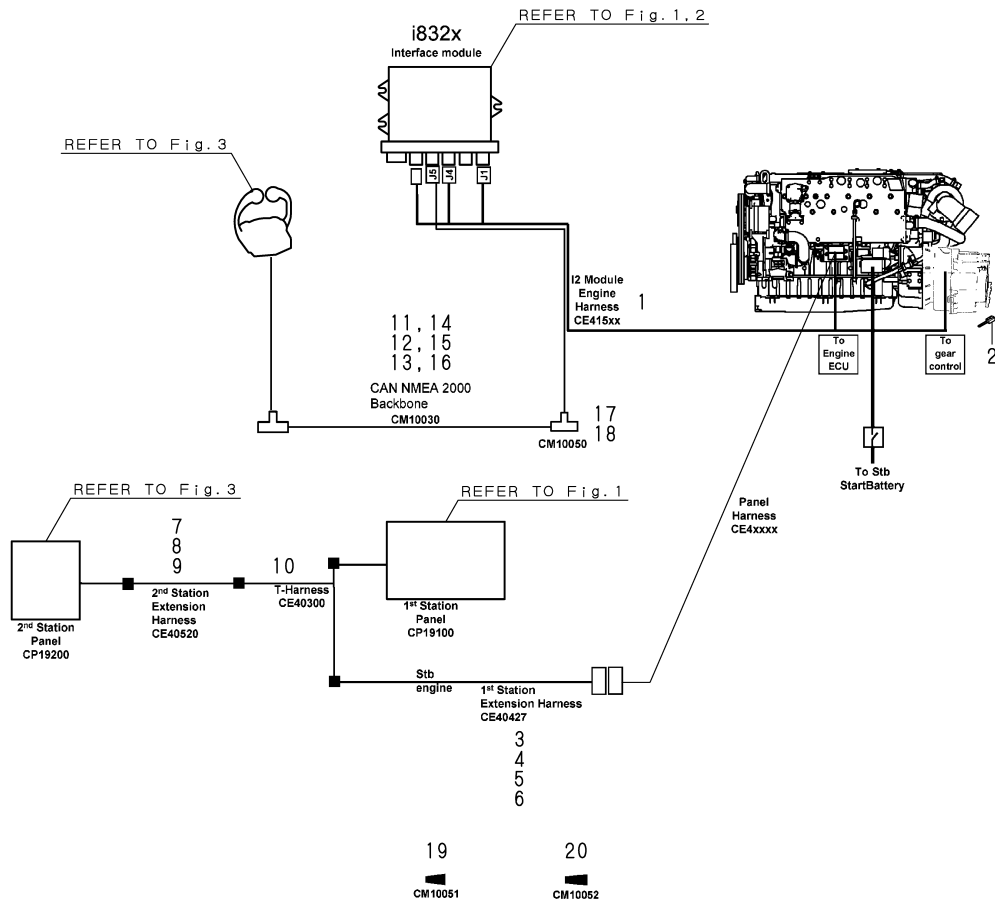
(A)=6LY3 SERIES  
(B)=6SY-STP  
(C)=8SY-STP

(D)=  
(E)=  
(F)=

No.	Lev.	Parts No.	Description	Q'ty						I	R
				(A)	(B)	(C)	(D)	(E)	(F)		
1	1	119578-66720	CONNECTOR, T NMEA	2							
1-1	1	119578-66721	CONNECTOR, T NMEA	2							N
(A=EXXXXX)											
1-2	1	119578-66722	CONNECTOR, T NMEA	2							R
(A=EXXXXX)											
2	1	119578-91110	DISPLAY, I5501EP	1							
3	1	119578-91120	DISPLAY, I5501ES	1							
4	1	119578-66690	NMEA CABLE, 30FT	1							
4-1	1	119578-66691	CABLE, 9.0M NMEA	1							R
(A=EXXXXX)											
5	1	119578-66720	CONNECTOR, T NMEA	1							
5-1	1	119578-66721	CONNECTOR, T NMEA	1							N
(A=EXXXXX)											
5-2	1	119578-66722	CONNECTOR, T NMEA	1							R
(A=EXXXXX)											
6	1	119578-91130	DISPLAY, I5501E	1							
7	1	119578-66010	HEAD, DUAL CONTROL	1							
8	1	119578-66020	HEAD, DUAL CONTROL	1							1
9	1	119578-66030	I/F,CONTROL HEAD	1							1
10	1	119578-66040	HEAD, SINGLE CONTROL	1							
11	1	119578-66030	I/F,CONTROL HEAD	1							1
12	1	119578-66050	HEAD, SINGLE CONTROL	1							1
13	1	119578-66360	HARNESS, EXT2ND 27FT	2							
14	1	119578-66410	HARNESS, T EXT	2							
15	1	119578-91220	PANEL, 2ND CONTROLL	2							
16	1	119578-66360	HARNESS, EXT2ND 27FT	1							
17	1	119578-66410	HARNESS, T EXT	1							
18	1	119578-91220	PANEL, 2ND CONTROLL	1							
19	1	119578-66690	NMEA CABLE, 30FT	1							
19-1	1	119578-66691	CABLE, 9.0M NMEA	1							R
(A=EXXXXX)											

Remarks  
(1)Not illustrated.

# Fig.4. WIRE HARNESS



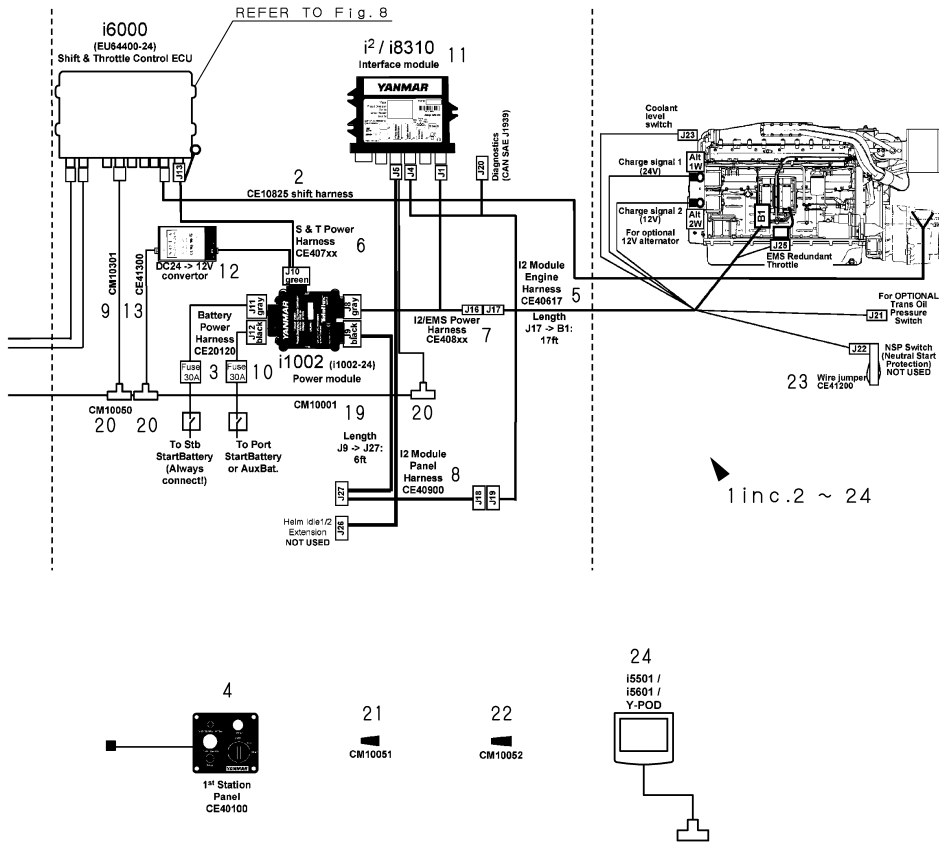
(A)=6LY3 SERIES  
 (B)=6SY-STP  
 (C)=8SY-STP

(D)=  
 (E)=  
 (F)=

No.	Lev.	Parts No.	Description	Qty						I	R
				(A)	(B)	(C)	(D)	(E)	(F)		
1	1	119578-77580	I/F HARENSS, 17 FT	1							
2	1	119578-77590	HARNESS, JUMPER	1							
3	1	119578-66220	HARNESS, EXT1ST 14FT	1							
4	1	119578-66240	HARNESS, EXT1ST 20FT	1							
5	1	119578-66260	HARNESS, EXT1ST 27FT	1							
6	1	119578-66280	HARNESS, EXT1ST 33FT	1							
7	1	119578-66310	HARNESS, EXT2ND 10FT	1							
8	1	119578-66340	HARNESS, EXT2ND 20FT	1							
9	1	119578-66360	HARNESS, EXT2ND 27FT	1							
10	1	119578-66410	HARNESS, T EXT	1							
11	1	119578-66640	NMEA CABLE, 6FT	1							
11-1	1	119578-66641	CABLE, 2.0M NMEA	1							R
(A=EXXXXX)											
12	1	119578-66650	NMEA CABLE, 9FT	1							
12-1	1	119578-66651	CABLE, 3.0M NMEA	1							R
(A=EXXXXX)											
13	1	119578-66660	NMEA CABLE, 12FT	1							
13-1	1	119578-66661	CABLE, 4.0M NMEA	1							R
(A=EXXXXX)											
14	1	119578-66670	NMEA CABLE, 16FT	1							
14-1	1	119578-66671	CABLE, 5.0M NMEA	1							R
(A=EXXXXX)											
15	1	119578-66680	NMEA CABLE, 20FT	1							
15-1	1	119578-66681	CABLE, 6.0M NMEA	1							R
(A=EXXXXX)											
16	1	119578-66690	NMEA CABLE, 30FT	1							
16-1	1	119578-66691	CABLE, 9.0M NMEA	1							R
(A=EXXXXX)											
17	1	119578-66710	KIT, CONNECTOR NMEA	1							
18	1	119578-66720	CONNECTOR, T NMEA	1							
18-1	1	119578-66721	CONNECTOR, T NMEA	1							N
(A=EXXXXX)											
18-2	1	119578-66722	CONNECTOR, T NMEA	1							R
(A=EXXXXX)											
19	1	119578-66730	TERMINATOR, FEMALE	1							
19-1	1	119578-66731	TERMINAL, M NMEA	1							R
(A=EXXXXX)											
20	1	119578-66740	TERMINATOR, MALE	1							
20-1	1	119578-66741	TERMINAL, F NMEA	1							R
(A=EXXXXX)											



Fig.5. CONTROL KIT (SINGLE)



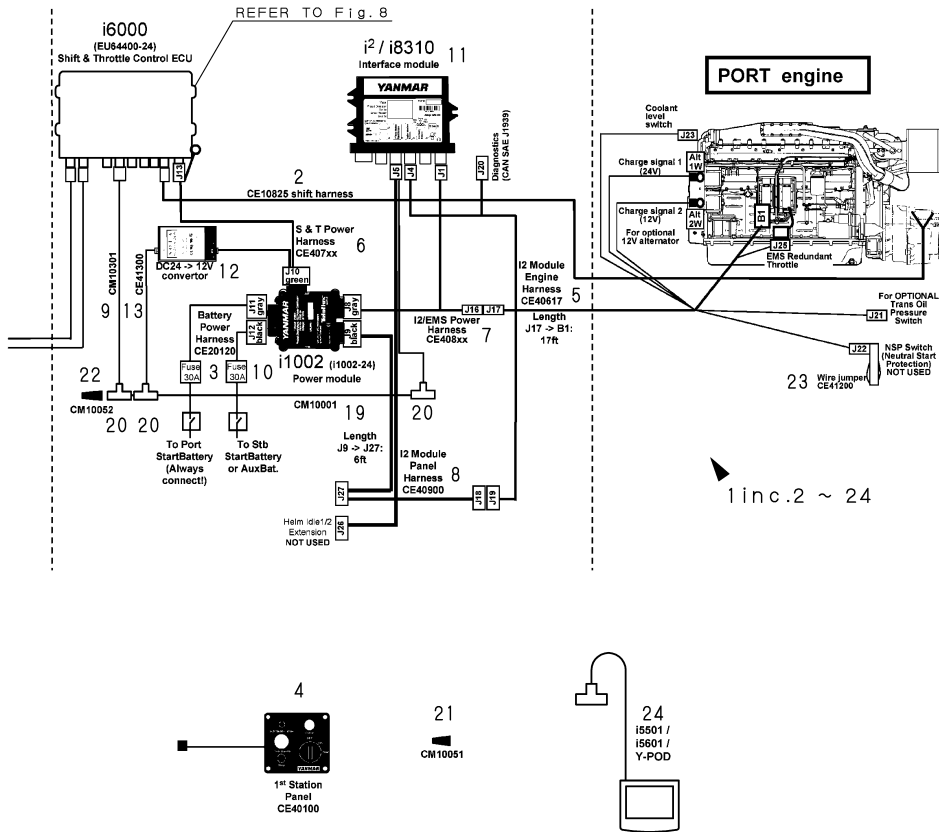
(A)=6LY3 SERIES  
(B)=6SY-STP  
(C)=8SY-STP

(D)=  
(E)=  
(F)=

No.	Lev.	Parts No.	Description	Qty						I	R	
				(A)	(B)	(C)	(D)	(E)	(F)			
1	1	763010-66010	CONTROL KIT, SINGLE		1	1						
2	2	163010-66010	SHIFT HARNESS 25FT		1	1						
3	2	163010-66020	I1002 HARNESS 20		1	1						
4	2	163010-66030	1ST STATION PANEL		1	1						
5	2	163010-66040	I8310 ENG HARNESS 17		1	1						
6	2	163010-66050	I1002 S&T HARNESS 4		1	1						
7	2	163010-66060	I1002 HARNESS 4		1	1						
8	2	163010-66070	I8310 PANEL HARNESS		1	1						
9	2	163010-66080	CAN COM HARNESS 1		1	1						
10	2	163010-66090	DC 24V DISTRIBUTION		1	1						
11	2	163010-66100	INTERFACE, PORT		1	1						
12	2	163010-66120	CONVERTER 24/12V		1	1						
13	2	163010-66130	CONNECTION LEAD		1	1						
14	2	163010-66300	GUIDE 5501E/STM		1	1						1
15	2	163010-66320	MANUAL, SINGLE		1	1						1
16	2	163010-66340	OPERATORS BOOK		1	1						1
17	2	163010-66350	SENSOR EXT HARNESS		1	1						1
18	2	163010-66360	ALT/STA HARNESS		1	1						1
19	2	119578-66610	NMEA CABLE, 1 FT		1	1						
19-1	2	119578-66611	CABLE, 0.3M NMEA (B=EXXXXX) (C=EXXXXX)		1	1						R
20	2	119578-66720	CONNECTOR, T NMEA		4	4						
20-1	2A	119578-66721	CONNECTOR, T NMEA (B=EXXXXX) (C=EXXXXX)		4	4						N
20-2	2	119578-66722	CONNECTOR, T NMEA (B=EXXXXX) (C=EXXXXX)		4	4						R
21	2	119578-66730	TERMINATOR, FEMALE		1	1						
21-1	2	119578-66731	TERMINAL, M NMEA (B=EXXXXX) (C=EXXXXX)		1	1						R
22	2	119578-66740	TERMINATOR, MALE		1	1						
22-1	2	119578-66741	TERMINAL, F NMEA (B=EXXXXX) (C=EXXXXX)		1	1						R
23	2	119578-77590	HARNESS, JUMPER		1	1						
24	2	119578-91130	DISPLAY, I5501E		1	1						

Remarks  
(1)Not illustrated.

Fig.6. CONTROL KIT (PORT)



(A)=6LY3 SERIES  
(B)=6SY-STP  
(C)=8SY-STP

(D)=  
(E)=  
(F)=

No.	Lev.	Parts No.	Description	Q'ty						I	R
				(A)	(B)	(C)	(D)	(E)	(F)		
1	1	763010-66020	CONTROL KIT, PORT		1	1					
2	2	163010-66010	SHIFT HARNESS 25FT		1	1					
3	2	163010-66020	I1002 HARNESS 20		1	1					
4	2	163010-66030	1ST STATION PANEL		1	1					
5	2	163010-66040	I8310 ENG HARNESS 17		1	1					
6	2	163010-66050	I1002 S&T HARNESS 4		1	1					
7	2	163010-66060	I1002 HARNESS 4		1	1					
8	2	163010-66070	I8310 PANEL HARNESS		1	1					
9	2	163010-66080	CAN COM HARNESS 1		1	1					
10	2	163010-66090	DC 24V DISTRIBUTION		1	1					
11	2	163010-66100	INTERFACE, PORT		1	1					
12	2	163010-66120	CONVERTER 24/12V		1	1					
13	2	163010-66130	CONNECTION LEAD		1	1					
14	2	163010-66310	GUIDE 5501E/DTM		1	1					1
15	2	163010-66330	MANUAL, DUAL		1	1					1
16	2	163010-66340	OPERATORS BOOK		1	1					1
17	2	163010-66350	SENSOR EXT HARNESS		1	1					1
18	2	163010-66360	ALT/STA HARNESS		1	1					1
19	2	119578-66610	NMEA CABLE, 1 FT		2	2					
19-1	2	119578-66611	CABLE, 0.3M NMEA (B=EXXXXX) (C=EXXXXX)		2	2					R
20	2	119578-66720	CONNECTOR, T NMEA		4	4					
20-1	2	119578-66721	CONNECTOR, T NMEA (B=EXXXXX) (C=EXXXXX)		4	4					N
20-2	2	119578-66722	CONNECTOR, T NMEA (B=EXXXXX) (C=EXXXXX)		4	4					R
21	2	119578-66730	TERMINATOR, FEMALE		1	1					
21-1	2	119578-66731	TERMINAL, M NMEA (B=EXXXXX) (C=EXXXXX)		1	1					R
22	2	119578-66740	TERMINATOR, MALE		1	1					
22-1	2	119578-66741	TERMINAL, F NMEA (B=EXXXXX) (C=EXXXXX)		1	1					R
23	2	119578-77590	HARNESS, JUMPER		1	1					
24	2	119578-91110	DISPLAY, I5501EP		1	1					

Remarks  
(1)Not illustrated.

Fig.7. CONTROL KIT (STARBOARD)

(A)=6LY3 SERIES

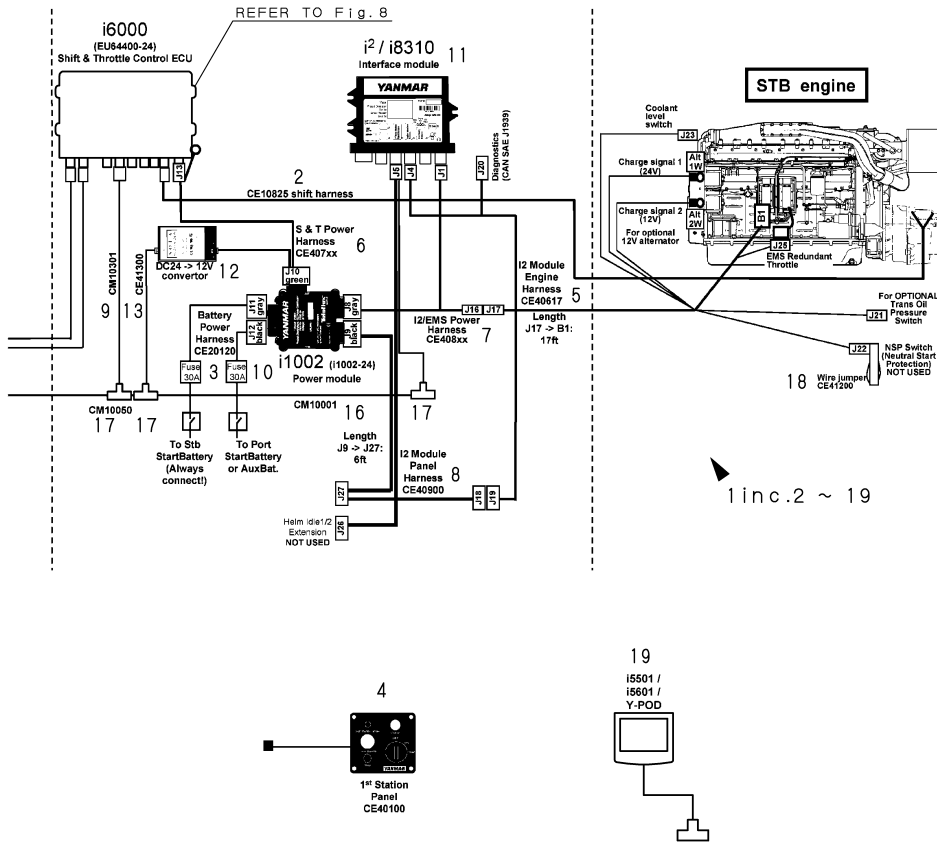
(B)=6SY-STP

(C)=8SY-STP

(D)=

(E)=

(F)=



No.	Lev.	Parts No.	Description	Q'ty						I	R
				(A)	(B)	(C)	(D)	(E)	(F)		
1	1	763010-66030	CONTROL KIT,STARBOARD		1	1					
2	2	163010-66010	SHIFT HARNESS 25FT		1	1					
3	2	163010-66020	I1002 HARNESS 20		1	1					
4	2	163010-66030	1ST STATION PANEL		1	1					
5	2	163010-66040	I8310 ENG HARNESS 17		1	1					
6	2	163010-66050	I1002 S&T HARNESS 4		1	1					
7	2	163010-66060	I1002 HARNESS 4		1	1					
8	2	163010-66070	I8310 PANEL HARNESS		1	1					
9	2	163010-66080	CAN COM HARNESS 1		1	1					
10	2	163010-66090	DC 24V DISTRIBUTION		1	1					
11	2	163010-66110	INTERFACE, STARBOARD		1	1					
12	2	163010-66120	CONVERTER 24/12V		1	1					
13	2	163010-66130	CONNECTION LEAD		1	1					
14	2	163010-66350	SENSOR EXT HARNESS		1	1					1
15	2	163010-66360	ALT/STA HARNESS		1	1					1
16	2	119578-66610	NMEA CABLE, 1 FT		1	1					
16-1	2	119578-66611	CABLE, 0.3M NMEA (B=EXXXXX) (C=EXXXXX)		1	1					R
17	2	119578-66720	CONNECTOR, T NMEA		4	4					
17-1	2	119578-66721	CONNECTOR, T NMEA (B=EXXXXX) (C=EXXXXX)		4	4					N
17-2	2	119578-66722	CONNECTOR, T NMEA (B=EXXXXX) (C=EXXXXX)		4	4					R
18	2	119578-77590	HARNESS, JUMPER		1	1					
19	2	119578-91120	DISPLAY, I5501ES		1	1					

Remarks

(1)Not illustrated.

N:Old  $\begin{matrix} \leftarrow \text{Yes} \\ \text{No} \end{matrix}$  New, Q:Old  $\begin{matrix} \leftarrow \text{No} \\ \text{Yes} \end{matrix}$  New, R:Old  $\begin{matrix} \leftarrow \text{Yes} \\ \text{Yes} \end{matrix}$  New, S:Old  $\begin{matrix} \leftarrow \text{No} \\ \text{No} \end{matrix}$  New, W:Add, Z:Discontinued, F:Interchangeable by set, K:Q'ty Change

# Fig.8. CONTROL HEAD

(A)=6LY3 SERIES

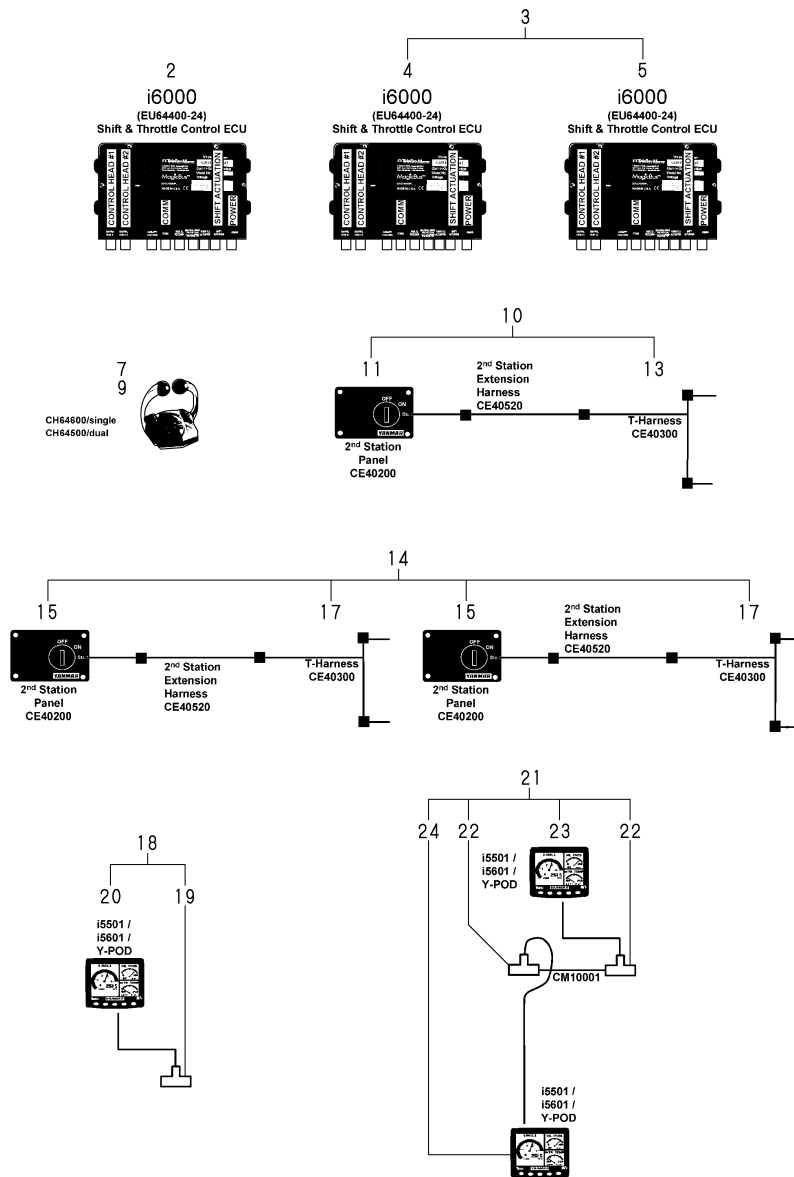
(B)=6SY-STP

(C)=8SY-STP

(D)=

(E)=

(F)=



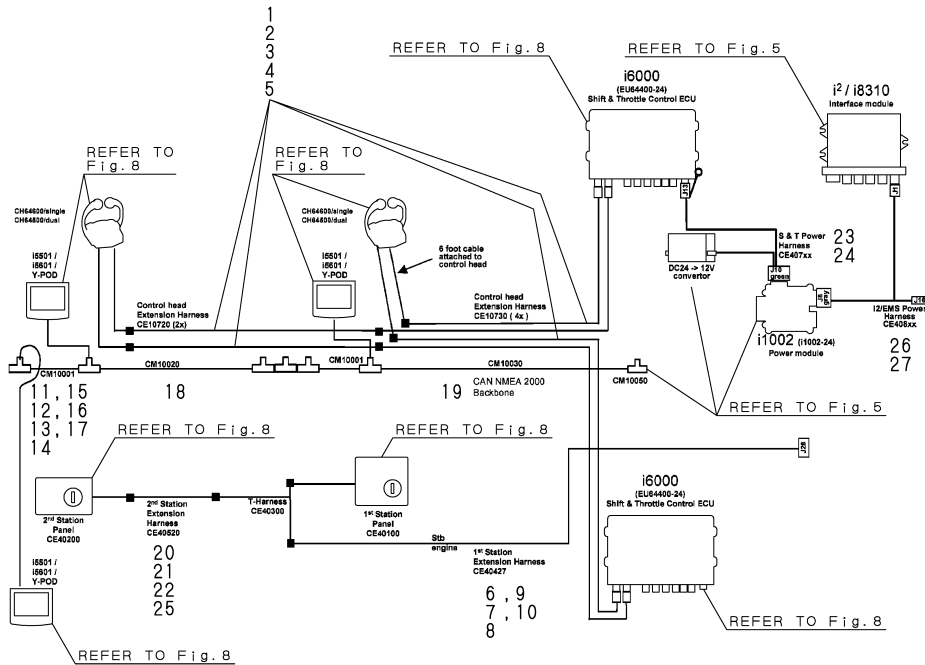
No.	Lev.	Parts No.	Description	Q'ty						I	R
				(A)	(B)	(C)	(D)	(E)	(F)		
2	1	163010-66140	I6000, PORT		1	1					
3	1	763010-66050	2 ENG 1 STATION		1	1					
4	2	163010-66140	I6000, PORT		1	1					
5	2	163010-66150	I6000, STARBOARD		1	1					
7	1	119578-66040	HEAD, SINGLE CONTROL		1	1					
9	1	163010-66160	DUAL TOP MOUNT		1	1					
10	1	763010-66080	2ND ST 1E		1	1					
11	2	163010-66170	2ND STATION PANEL		1	1					
12	2	163010-66180	2ND STATION MANUAL		1	1					1
13	2	119578-66410	HARNES, T EXT		1	1					
14	1	763010-66090	2ND ST 2E		1	1					
15	2	163010-66170	2ND STATION PANEL		2	2					
16	2	163010-66180	2ND STATION MANUAL		1	1					1
17	2	119578-66410	HARNES, T EXT		2	2					
18	1	763010-66100	2ND ST LCD 1E		1	1					
19	2	119578-66720	CONNECTOR, T NMEA		1	1					
19-1	2	119578-66721	CONNECTOR, T NMEA (B=EXXXXX) (C=EXXXXX)		1	1					N
19-2	2	119578-66722	CONNECTOR, T NMEA (B=EXXXXX) (C=EXXXXX)		1	1					R
20	2	119578-91130	DISPLAY, I5501E		1	1					
21	1	763010-66110	2ND ST LCD		1	1					
22	2	119578-66720	CONNECTOR, T NMEA		2	2					
22-1	2	119578-66721	CONNECTOR, T NMEA (B=EXXXXX) (C=EXXXXX)		2	2					N
22-2	2	119578-66722	CONNECTOR, T NMEA (B=EXXXXX) (C=EXXXXX)		2	2					R
23	2	119578-91110	DISPLAY, I5501EP		1	1					
24	2	119578-91120	DISPLAY, I5501ES		1	1					

Remarks  
(1)Not illustrated.

# Fig.9. WIRE HARNESS

(A)=6LY3 SERIES  
(B)=6SY-STP  
(C)=8SY-STP

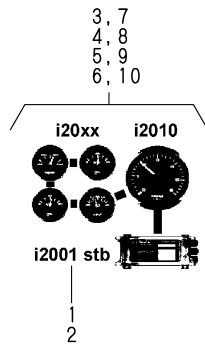
(D)=  
(E)=  
(F)=



No.	Lev.	Parts No.	Description	Qty						I	R
				(A)	(B)	(C)	(D)	(E)	(F)		
1	1	163010-66190	EXT, CONTROL HEAD 10		1	1					
2	1	163010-66200	EXT, CONTROL HEAD 20		1	1					
3	1	163010-66210	EXT, CONTROL HEAD 30		1	1					
4	1	163010-66220	EXT, CONTROL HEAD 40		1	1					
5	1	163010-66230	EXT, CONTROL HEAD 60		1	1					
6	1	119578-66220	HARNESS, EXT1ST 14FT		1	1					
7	1	119578-66240	HARNESS, EXT1ST 20FT		1	1					
8	1	119578-66260	HARNESS, EXT1ST 27FT		1	1					
9	1	119578-66280	HARNESS, EXT1ST 33FT		1	1					
10	1	163010-66240	HARNESS, EXT 1ST 60		1	1					
11	1	119578-66610	NMEA CABLE, 1 FT		1	1					
11-1	1	119578-66611	CABLE, 0.3M NMEA		1	1					R
		(B=EXXXXX) (C=EXXXXX)									
12	1	119578-66620	NMEA CABLE, 2 FT		1	1					
12-1	1	119578-66621	CABLE, 0.6M NMEA		1	1					R
		(B=EXXXXX) (C=EXXXXX)									
13	1	119578-66630	NMEA CABLE, 3 FT		1	1					
13-1	1	119578-66631	CABLE, 1.0M NMEA		1	1					R
		(B=EXXXXX) (C=EXXXXX)									
14	1	119578-66640	NMEA CABLE, 6FT		1	1					
14-1	1	119578-66641	CABLE, 2.0M NMEA		1	1					R
		(B=EXXXXX) (C=EXXXXX)									
15	1	119578-66650	NMEA CABLE, 9FT		1	1					
15-1	1	119578-66651	CABLE, 3.0M NMEA		1	1					R
		(B=EXXXXX) (C=EXXXXX)									
16	1	119578-66660	NMEA CABLE, 12FT		1	1					
16-1	1	119578-66661	CABLE, 4.0M NMEA		1	1					R
		(B=EXXXXX) (C=EXXXXX)									
17	1	119578-66670	NMEA CABLE, 16FT		1	1					
17-1	1	119578-66671	CABLE, 5.0M NMEA		1	1					R
		(B=EXXXXX) (C=EXXXXX)									
18	1	119578-66680	NMEA CABLE, 20FT		1	1					
18-1	1	119578-66681	CABLE, 6.0M NMEA		1	1					R
		(B=EXXXXX) (C=EXXXXX)									
19	1	119578-66690	NMEA CABLE, 30FT		1	1					
19-1	1	119578-66691	CABLE, 9.0M NMEA		1	1					R
		(B=EXXXXX) (C=EXXXXX)									
20	1	119578-66310	HARNESS, EXT2ND 10FT		1	1					
21	1	119578-66340	HARNESS, EXT2ND 20FT		1	1					
22	1	119578-66360	HARNESS, EXT2ND 27FT		1	1					
23	1	163010-66260	I1002 S&T HARNESS 10		1	1					
24	1	163010-66270	I1002 S&T HARNESS 17		1	1					
25	1	163010-66250	HARNESS, EXT 2ND 60		1	1					
26	1	163010-66280	I1002 EMS HARNESS 10		1	1					
27	1	163010-66290	I1002 EMS HARNESS 17		1	1					
28	1	163010-66370	ALARM HARNESS		1	1					1

Remarks  
(1)Not illustrated.

Fig.10. METER



(A)=6LY3 SERIES  
 (B)=6SY-STP  
 (C)=8SY-STP

(D)=  
 (E)=  
 (F)=

No.	Lev.	Parts No.	Description	Q'ty						I	R	
				(A)	(B)	(C)	(D)	(E)	(F)			
1	1	163010-66380	ECU INTERFACE, PORT		1	1						
2	1	163010-66390	ECU INTERFACE, STARB		1	1						
3	1	163010-66400	3 TACHOMETER BEZEL		1	1						
4	1	163010-66410	3 SPEED METER BEZEL		1	1						
5	1	163010-66420	2 FUEL BEZEL		1	1						
6	1	163010-66430	2 VOLT BEZEL		1	1						
7	1	163010-66440	2 WATER TEM BEZEL		1	1						
8	1	163010-66450	2 OIL PRESSURE BEZEL		1	1						
9	1	163010-66460	2 WATER PRESS BEZEL		1	1						
10	1	163010-66470	2 TRIM-STD BEZEL		1	1						

## Parts No. Index

Parts No.	Fig. No.	Ref. No.
119578-66010	3	7
119578-66020	3	8
119578-66030	3	9
		11
119578-66040	3	10
	8	7
119578-66050	3	12
119578-66220	4	3
	9	6
119578-66240	4	4
	9	7
119578-66260	4	5
	9	8
119578-66280	4	6
	9	9
119578-66310	4	7
	9	20
119578-66340	4	8
	9	21
119578-66360	3	13
		16
	4	9
	9	22
119578-66410	3	14
		17
	4	10
	8	13
		17
119578-66610	5	19
	6	19
	7	16
	9	11
119578-66611	5	19 -1
	6	19 -1
	7	16 -1
	9	11 -1
119578-66620	9	12
119578-66621	9	12 -1
119578-66630	9	13
119578-66631	9	13 -1
119578-66640	4	11
	9	14
119578-66641	4	11 -1
	9	14 -1
119578-66650	4	12
	9	15
119578-66651	4	12 -1
	9	15 -1
119578-66660	4	13
	9	16

Parts No.	Fig. No.	Ref. No.
119578-66661	4	13 -1
	9	16 -1
119578-66670	4	14
	9	17
119578-66671	4	14 -1
	9	17 -1
119578-66680	4	15
	9	18
119578-66681	4	15 -1
	9	18 -1
119578-66690	3	4
		19
	4	16
	9	19
119578-66691	3	4 -1
		19 -1
	4	16 -1
	9	19 -1
119578-66710	4	17
119578-66720	1	1
	2	1
		10
	3	1
		5
	4	18
	5	20
	6	20
	7	17
	8	19
		22
119578-66721	1	1 -1
	2	1 -1
		10 -1
	3	1 -1
		5 -1
	4	18 -1
	5	20 -1
	6	20 -1
	7	17 -1
	8	19 -1
		22 -1
119578-66722	1	1 -2
	2	1 -2
		10 -2
	3	1 -2
		5 -2
	4	18 -2
	5	20 -2
	6	20 -2
	7	17 -2

Parts No.	Fig. No.	Ref. No.
119578-66722	8	19 -2
		22 -2
119578-66730	1	2
	2	2
	4	19
	5	21
	6	21
119578-66731	1	2 -1
	2	2 -1
	4	19 -1
	5	21 -1
	6	21 -1
119578-66740	1	3
	2	3
	4	20
	5	22
	6	22
119578-66741	1	3 -1
	2	3 -1
	4	20 -1
	5	22 -1
	6	22 -1
119578-77510	1	8
	2	8
119578-77520	2	15
119578-77530	1	9
	2	9
119578-77540	2	16
119578-77580	1	4
	2	4
		11
	4	1
119578-77590	1	5
	2	5
		12
	4	2
	5	23
	6	23
	7	18
119578-91110	2	6
	3	2
	6	24
	8	23
119578-91120	2	13
	3	3
	7	19
	8	24
119578-91130	1	6
	3	6
	5	24

Parts No.	Fig. No.	Ref. No.
119578-91130	8	20
119578-91200	1	7
	2	7
		14
119578-91220	3	15
		18
163010-66010	5	2
	6	2
	7	2
163010-66020	5	3
	6	3
	7	3
163010-66030	5	4
	6	4
	7	4
163010-66040	5	5
	6	5
	7	5
163010-66050	5	6
	6	6
	7	6
163010-66060	5	7
	6	7
	7	7
163010-66070	5	8
	6	8
	7	8
163010-66080	5	9
	6	9
	7	9
163010-66090	5	10
	6	10
	7	10
163010-66100	5	11
	6	11
163010-66110	7	11
163010-66120	5	12
	6	12
	7	12
163010-66130	5	13
	6	13
	7	13
163010-66140	8	2
		4
163010-66150	8	5
163010-66160	8	9
163010-66170	8	11
		15
163010-66180	8	12
		16

# Parts No. Index

Parts No.	Fig. No.	Ref. No.
163010-66190	9	1
163010-66200	9	2
163010-66210	9	3
163010-66220	9	4
163010-66230	9	5
163010-66240	9	10
163010-66250	9	25
163010-66260	9	23
163010-66270	9	24
163010-66280	9	26
163010-66290	9	27
163010-66300	5	14
163010-66310	6	14
163010-66320	5	15
163010-66330	6	15
163010-66340	5	16
	6	16
163010-66350	5	17
	6	17
	7	14
163010-66360	5	18
	6	18
	7	15
163010-66370	9	28
163010-66380	10	1
163010-66390	10	2
163010-66400	10	3
163010-66410	10	4
163010-66420	10	5
163010-66430	10	6
163010-66440	10	7
163010-66450	10	8
163010-66460	10	9
163010-66470	10	10
763010-66010	5	1
763010-66020	6	1
763010-66030	7	1
763010-66050	8	3
763010-66080	8	10
763010-66090	8	14
763010-66100	8	18
763010-66110	8	21

Parts No.	Fig. No.	Ref. No.
-----------	----------	----------

Parts No.	Fig. No.	Ref. No.
-----------	----------	----------

Parts No.	Fig. No.	Ref. No.
-----------	----------	----------