

OCF10-M59400EN

Introduction

1. This parts catalog is a first edition for the KM2P, KM3P, KM2P-1 marine gear.

	Parts catalog No.	Date of issue	Remarks
First edition	000Y00F5940	Sep., 2001	

2. This parts catalog does not contain the technical data needed for servicing.

3. The illustrations used in this parts catalog have been simplified for clarity.

4. The essential points list.

Type of reduction	Safety switch stay	Reduction ratio	Reduction assembly code	Type code	Application engine
KM2P	Nothing	2.21	128171-81110	177088C	1GM10 2GM20
		2.62	128171-81120	177088B	
		3.22	128171-81130	177088A	
	With	2.21	128171-81210	177088C	
		2.62	128171-81220	177088B	
		3.22	128171-81230	177088A	
KM3P	Nothing	2.36	128374-81110	177070C	3GM30
		2.61	128374-81120	177070B	
		3.20	128374-81130	177070A	
	With	2.36	128374-81210	177070C	
		2.61	128374-81220	177070B	
		3.20	128374-81230	177070A	
KM2P-1	Nothing	2.21	128171-81310	177088E	1GM10 2GM20 3GM30
		2.62	128171-81320	177088F	
		3.22	128171-81330	177088D	
	With	2.21	128171-81410	177088E	
		2.62	128171-81420	177088F	
		3.22	128171-81430	177088D	

5. The contents of this parts catalog are subject to change without prior notice.

6. Be sure to use only genuine Yanmar part for repairs. If other parts are used, the life of the engine may be shortened.

Contents

OCF10-M59400

Fig. No. Fig. Name

Fig. No. Fig. Name

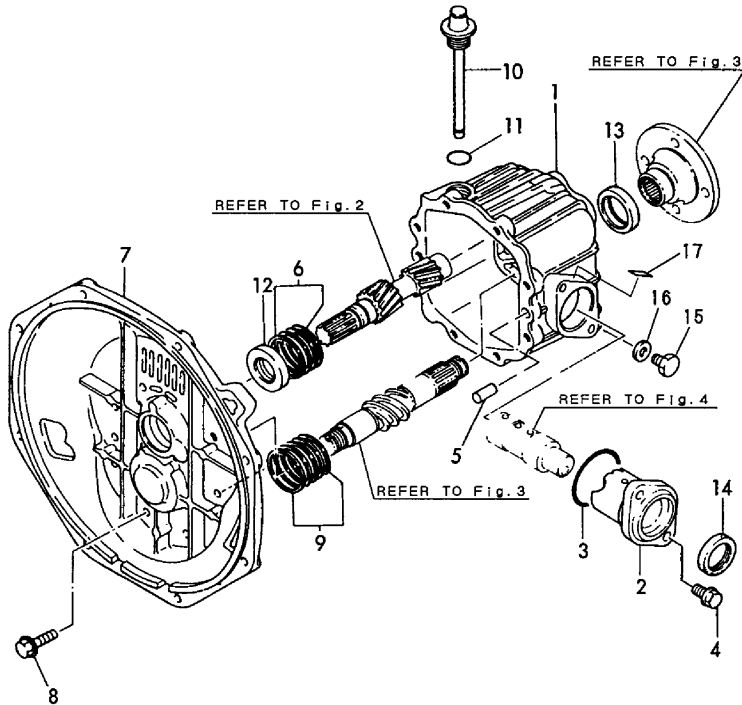
CLUTCH

1. CLUTCH HOUSING
2. INPUT SHAFT & SUPPORT SHAFT
3. OUTPUT SHAFT
4. CONTROL EQUIPMENT
5. TOOL(OPTIONAL)
6. CLUTCH HOUSING
7. INPUT SHAFT & SUPPORT SHAFT
8. OUTPUT SHAFT
9. CONTROL EQUIPMENT
10. TOOL(OPTIONAL)
11. CLUTCH HOUSING
12. INPUT SHAFT & SUPPORT SHAFT
13. OUTPUT SHAFT
14. CONTROL EQUIPMENT
15. TOOL(OPTIONAL)

Fig.1. CLUTCH HOUSING

Y00F5940

Fig. 1 クラッチケース
CLUTCH HOUSING



(A)=KM2P
(B)=
(C)=

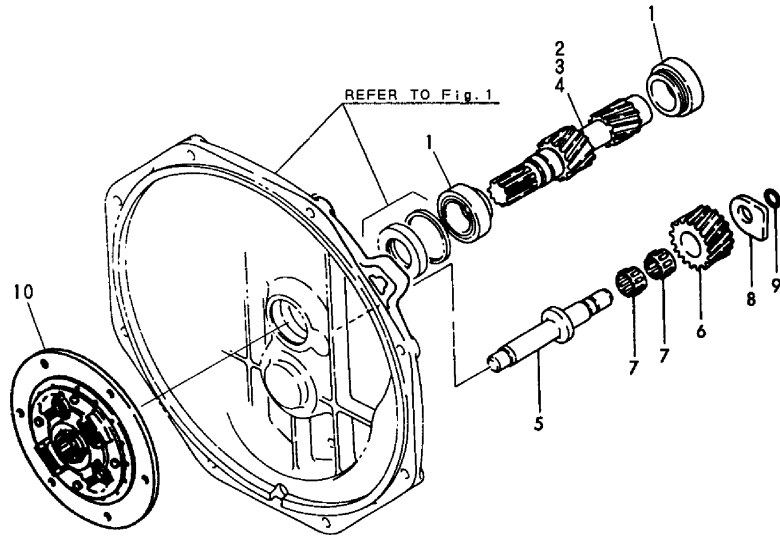
(D)=
(E)=
(F)=

No.	Lev.	Parts No.	Description	Q'ty						I	R
				(A)	(B)	(C)	(D)	(E)	(F)		
1	1	177088-02012	HOUSING, CLUTCH	1							
2	1	177088-02120	COVER	1							
3	1	24321-000400	O-RING, 1AG40.0	1							
4	1	26013-080252	BOLT, M8X 25	2							
5	1	22312-100160	PIN, PARALLEL M10X16	2							
6	1	177088-02350	SHIM SET	1							
7	1	177088-02033	FLANGE	1							
8	1	26016-080252	BOLT, M8X 25	8							
9	1	177088-02300	SHIM SET	1							
10	1	177088-02451	DIPSTICK	1							
11	1	24311-000180	O-RING, 1AP18.0	1							
12	1	177088-02950	SEAL SC25 40 8, OIL	1							
12-1	1	24411-254008	SEAL, OIL SC254008	1							R
(A=*1997.03)											
13	1	177088-02961	SEAL MHS34 44 8,OIL	1							
14	1	24421-284008	SEAL, OIL TC284008	1							
15	1	23887-100002	PLUG, 10	1							
16	1	23414-100000	GASKET, 10X1.0	1							
17	1	177088-02430	LABEL	1							W
(A=*1994.05)											

Fig.2. INPUT SHAFT & SUPPORT SHAFT

Y00F5940

Fig.2 インプットシャフト&サポートシャフト
INPUT SHAFT & SUPPORT SHAFT



(A)=KM2P
(B)=
(C)=

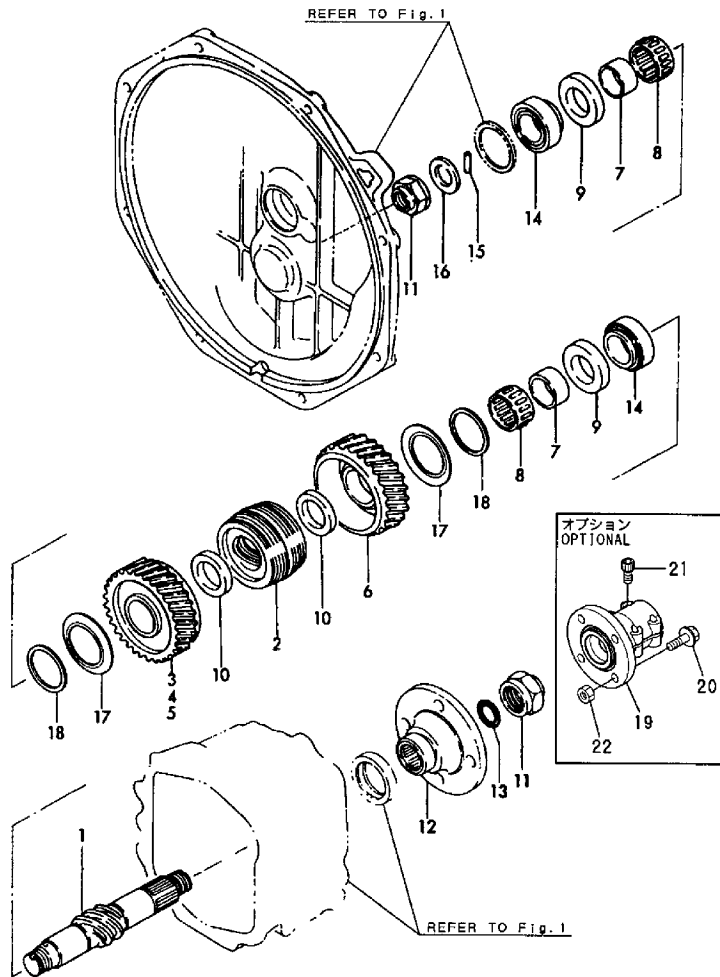
(D)=
(E)=
(F)=

No.	Lev.	Parts No.	Description	Qty						I	R
				(A)	(B)	(C)	(D)	(E)	(F)		
1	1	177088-03400	ROLLER BEARING	2							
2	1	177088-03031	SHAFT, INPUT l=2.21	1							
3	1	177088-03012	SHAFT, INPUT l=2.62	1							
4	1	177088-03021	SHAFT, INPUT l=3.22	1							
5	1	177088-03302	SHAFT, GEAR	1							
6	1	177088-03311	GEAR, IDLE Z=26	1							
7	1	177088-03331	NEEDLE BERG.#K162213	2							
8	1	177088-03341	WASHER, THRUST	1							
9	1	24341-000120	O-RING, 1AS12.0	1							

Fig.3. OUTPUT SHAFT

Y00F5940

Fig.3 アウトプットシャフト
OUTPUT SHAFT



(A)=KM2P
(B)=
(C)=

(D)=
(E)=
(F)=

No.	Lev.	Parts No.	Description	Q'ty						I	R
				(A)	(B)	(C)	(D)	(E)	(F)		
1	1	177088-03092	SHAFT, OUTPUT	1							
2	1	177088-03072	CONE, DRIVE	1							
3	1	177088-03131	GEAR, FORWARD Z=53	1							
4	1	177088-03111	GEAR, FORWARD Z=55	1							
5	1	177088-03121	GEAR, FORWARD Z=58	1							
6	1	177088-03111	GEAR, FORWARD Z=55	1							
7	1	177088-03192	RACE, INNER	2							
8	1	177088-03201	NEEDLE BERG.#K303517	2							
8-1	1	24161-303517	BEARING, 303517	2							R
(A=*1994.12)											
9	1	177088-03233	COLLAR, THRUST	2							
10	1	177088-03252	COLLAR, THRUST	2							
11	1	177088-03272	NUT	2							
12	1	177088-03552	COUPLING	1							
13	1	24311-000180	O-RING, 1AP18.0	1							
14	1	177088-03520	R.BEARING07087/07204	2							
15	1	177088-03290	PIN	1							
16	1	177088-03280	COLLAR, 32D-45T	1							
17	1	177088-03540	SPRING	2							
18	1	177073-03340	RETAINER, SPRING	2							
19	1	104214-83980	COUPLING	1							1
20	1	26206-100302	BOLT, M10X 30 PLATED	4							1
21	1	26450-080302	BOLT, M8X 30	4							1
22	1	26706-100002	NUT, M10	4							1

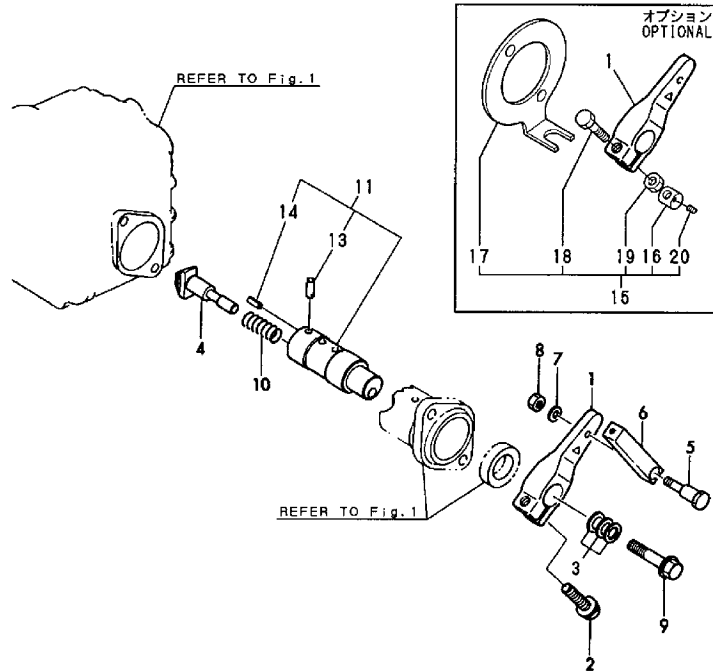
Remarks

(1)Optional parts.

Fig.4. CONTROL EQUIPMENT

Y00F5940

Fig.4 操纵装置
CONTROL DEVICE



(A)=KM2P
(B)=
(C)=

(D)=
(E)=
(F)=

No.	Lev.	Parts No.	Description	Q'ty						I	R
				(A)	(B)	(C)	(D)	(E)	(F)		
1	1	177088-06400	LEVER	1							
2	1	26106-080252	BOLT, M8X 25 PLATED	1							
3	1	177088-06380	SHIM SET	1							
4	1	177088-06390	SHIFTER	1							
5	1	177088-06101	CONNECTOR	1							
6	1	177088-06410	JOINT, 10-32UNF	1							
7	1	22137-060000	WASHER, 6	1							
8	1	26716-060002	NUT, M6	1							
9	1	177088-06360	BOLT	1							
10	1	177088-06370	SPRING	1							
11	1	177088-06340	SHAFT ASSY	1							W
(A=CXXX)											
13	2	196322-06610	PIN, PARALLEL 5X18	1							
14	2	22351-020012	PIN, SPRING 2.0X12	1							
15	1	177088-06440	STAY ASSY, SWITCH	1							W 1
(A=*1994.07)											
16	2	177074-06300	CONTACT	1							W 1
(A=*1994.07)											
17	2	177088-06450	STAY, SWITCH	1							W 1
(A=*1994.07)											
18	2	26116-080404	BOLT, M8X 40 PLATED	1							W 1
(A=*1994.07)											
19	2	26716-080002	NUT, M8	1							W 1
(A=*1994.07)											
20	2	26979-040082	SCREW, M4X 8	1							W 1
(A=*1994.07)											

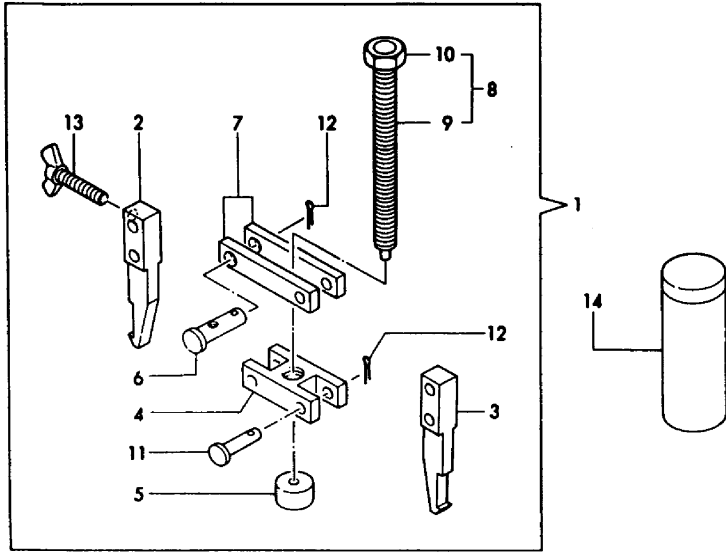
Remarks

(1)Optional parts.

Fig.5. TOOL(OPTIONAL)

Y00F5940

Fig. 5 工具 (オプション)
TOOL (OPTIONAL)



(A)=KM2P
(B)=
(C)=

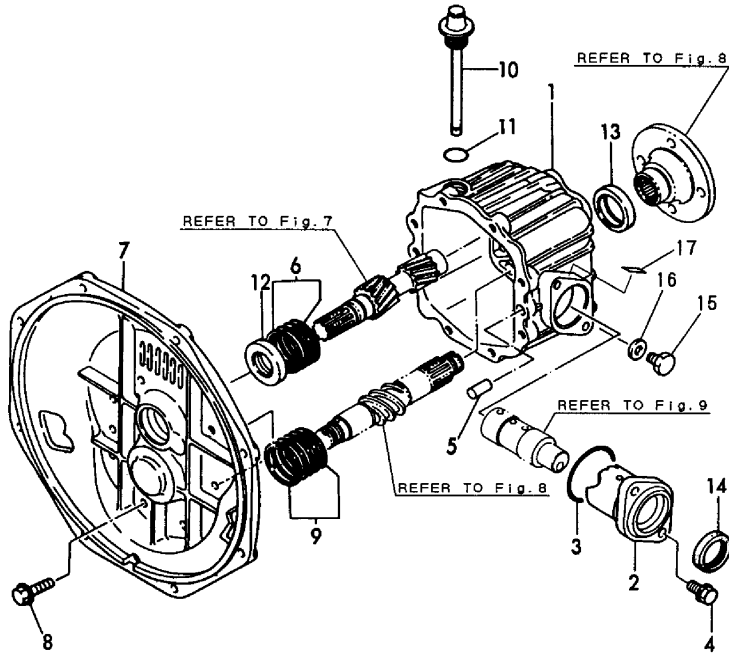
(D)=
(E)=
(F)=

No.	Lev.	Parts No.	Description	Q'ty						I	R
				(A)	(B)	(C)	(D)	(E)	(F)		
1	1	177088-09010	TOOL ASSY, REMOVER	1							
2	2	177088-09020	TOOL	1							
3	2	177088-09030	TOOL	1							
4	2	177088-09040	SUPPORT	1							
5	2	177088-09050	RETAINER	1							
6	2	177088-09060	PIN	1							
7	2	177088-09070	SUPPORT	2							
8	2	177088-09080	BOLT ASSY	1							
9	3	177088-09090	BOLT	1							
10	3	26736-100002	NUT, M10	1							
11	2	22487-060240	PIN, H 6X 24	3							
12	2	22417-160120	PIN, COTTER 1.6X12	4							
13	2	26646-040352	WING BOLT	1							
14	1	177088-09150	TOOL, DRIVE	1							

Fig.6. CLUTCH HOUSING

Y00F5940

Fig.6 クラッチケース
CLUTCH HOUSING



(A)=
(B)=KM3P
(C)=

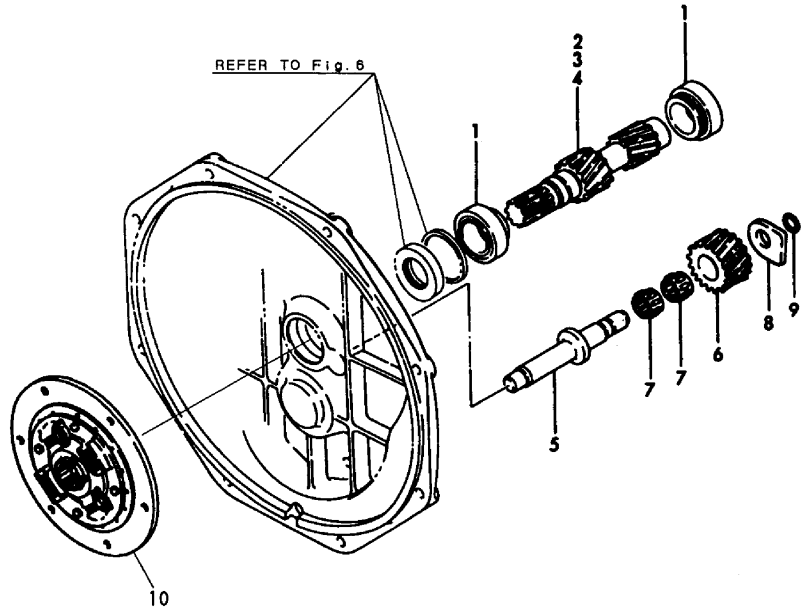
(D)=
(E)=
(F)=

No.	Lev.	Parts No.	Description	Q'ty						I	R
				(A)	(B)	(C)	(D)	(E)	(F)		
1	1	177070-02012	HOUSING, CLUTCH		1						
2	1	177088-02120	COVER		1						
3	1	24321-000400	O-RING, 1AG40.0		1						
4	1	26013-080252	BOLT, M8X 25		2						
5	1	22312-100160	PIN, PARALLEL M10X16		2						
6	1	177088-02350	SHIM SET		1						
7	1	177070-02031	FLANGE, CLUTCH		1						
8	1	26016-080252	BOLT, M8X 25		8						
9	1	177088-02300	SHIM SET		1						
10	1	177088-02451	DIPSTICK		1						
11	1	24311-000180	O-RING, 1AP18.0		1						
12	1	177088-02950	SEAL SC25 40 8, OIL		1						
12-1	1	24411-254008	SEAL, OIL SC254008		1						R
		(B=*1997.03)									
13	1	177088-02961	SEAL MHS34 44 8,OIL		1						
14	1	24421-284008	SEAL, OIL TC284008		1						
15	1	23887-100002	PLUG, 10		1						
16	1	23414-100000	GASKET, 10X1.0		1						
17	1	177088-02430	LABEL		1						W
		(B=*1994.05)									

Fig.7. INPUT SHAFT & SUPPORT SHAFT

Y00F5940

Fig. 7 インプットシャフト&サポートシャフト
INPUT SHAFT & SUPPORT SHAFT



(A)=
(B)=KM3P
(C)=

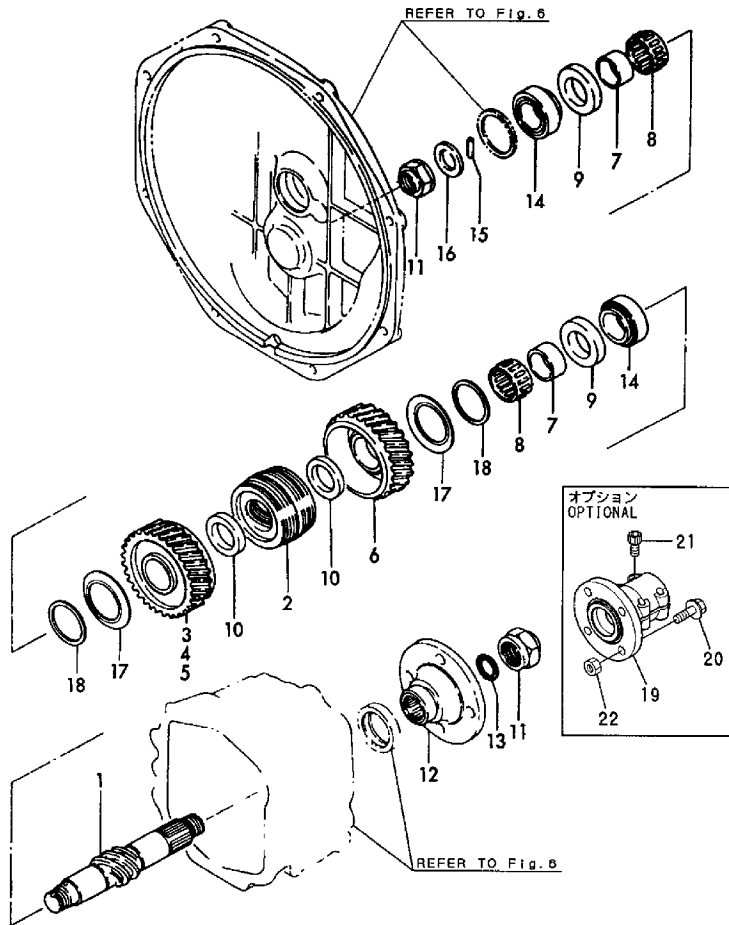
(D)=
(E)=
(F)=

No.	Lev.	Parts No.	Description	Q'ty						I	R
				(A)	(B)	(C)	(D)	(E)	(F)		
1	1	177088-03400	ROLLER BERING		2						
2	1	177070-03031	SHAFT, INPUT l=2.36		1						
3	1	177070-03011	SHAFT, INPUT l=2.61		1						
4	1	177070-03021	SHAFT, INPUT l=3.20		1						
5	1	177070-03302	SHAFT, IDLE		1						
6	1	177088-03311	GEAR, IDLE Z=26		1						
7	1	177088-03331	NEEDLE BERG.#K162213		2						
8	1	177088-03341	WASHER, THRUST		1						
9	1	24341-000120	O-RING, 1AS12.0		1						
10	1	177070-03501	DISK, DAMPER D170 (B=*1991.01)		1						W

Fig.8. OUTPUT SHAFT

Y00F5940

Fig.8 アウトプットシャフト
OUTPUT SHAFT



(A)=
(B)=KM3P
(C)=

(D)=
(E)=
(F)=

No.	Lev.	Parts No.	Description	Q'ty						I	R	
				(A)	(B)	(C)	(D)	(E)	(F)			
1	1	177070-03041	SHAFT, OUTPUT		1							
2	1	177070-03071	CONE, DRIVE		1							
3	1	177070-03131	GEAR, FORWARD Z=59		1							
4	1	177070-03112	GEAR, Z=60		1							
5	1	177070-03122	GEAR, FORWARD Z=64		1							
6	1	177070-03112	GEAR, Z=60		1							
7	1	177070-03190	RACE, BEARING		2							
8	1	177070-03200	NEEDLE BEARING		2							
8-1	1	24161-303520	BEARING, 303520		2							R
(B=*1995.01)												
9	1	177070-03231	COLLAR, THRUST		2							
10	1	177070-03250	COLLAR, THRUST		2							
11	1	177088-03272	NUT		2							
12	1	177070-03550	COUPLING		1							
13	1	24311-000210	O-RING, 1AP21.0		1							
14	1	24141-302050	BEARING, 30205		2							
15	1	177088-03290	PIN		1							
16	1	177088-03280	COLLAR, 32D-45T		1							
17	1	177088-03540	SPRING		2							
18	1	177073-03340	RETAINER, SPRING		2							
19	1	104214-83980	COUPLING		1							1
20	1	26206-100302	BOLT, M10X 30 PLATED		4							1
21	1	26450-080302	BOLT, M8X 30		4							1
22	1	26706-100002	NUT, M10		4							1

Remarks

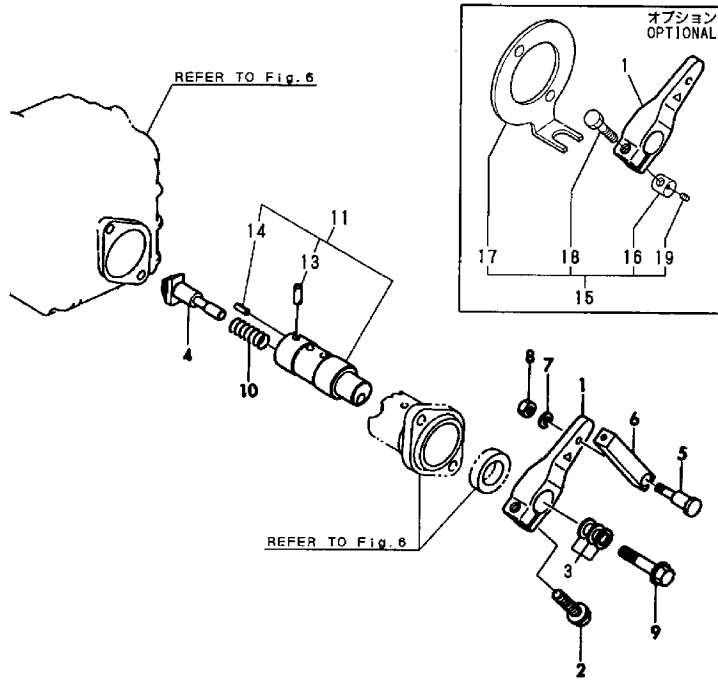
(1)Optional parts.

N:Old $\xrightarrow{\text{Yes}}$ New, Q:Old $\xrightarrow{\text{No}}$ New, R:Old $\xrightarrow{\text{Yes}}$ New, S:Old $\xrightarrow{\text{No}}$ New, W:Add, Z:Discontinued, F:Interchangeable by set, K:Q'ty Change

Fig.9. CONTROL EQUIPMENT

Y00F5940

Fig.9 操纵装置
CONTROL DEVICE



(A)=
(B)=KM3P
(C)=

(D)=
(E)=
(F)=

No.	Lev.	Parts No.	Description	Q'ty						I	R
				(A)	(B)	(C)	(D)	(E)	(F)		
1	1	177088-06400	LEVER		1						
2	1	26106-080252	BOLT, M8X 25 PLATED		1						
3	1	177088-06380	SHIM SET		1						
4	1	177088-06390	SHIFTER		1						
5	1	177088-06101	CONNECTOR		1						
6	1	177088-06410	JOINT, 10-32UNF		1						
7	1	22137-060000	WASHER, 6		1						
8	1	26716-060002	NUT, M6		1						
9	1	177088-06360	BOLT		1						
10	1	177088-06370	SPRING		1						
11	1	177088-06340	SHAFT ASSY (B=CXXX)		1						W
13	2	196322-06610	PIN, PARALLEL 5X18		1						
14	2	22351-020012	PIN, SPRING 2.0X12		1						
15	1	177070-06570	STAY ASSY, SWITCH (B=*1994.07)		1						W 1
16	2	177074-06300	CONTACT (B=*1994.07)		1						W 1
17	2	177088-06450	STAY, SWITCH (B=*1994.07)		1						W 1
18	2	26116-080404	BOLT, M8X 40 PLATED (B=*1994.07)		1						W 1
19	2	26979-040082	SCREW, M4X 8 (B=*1994.07)		1						W 1

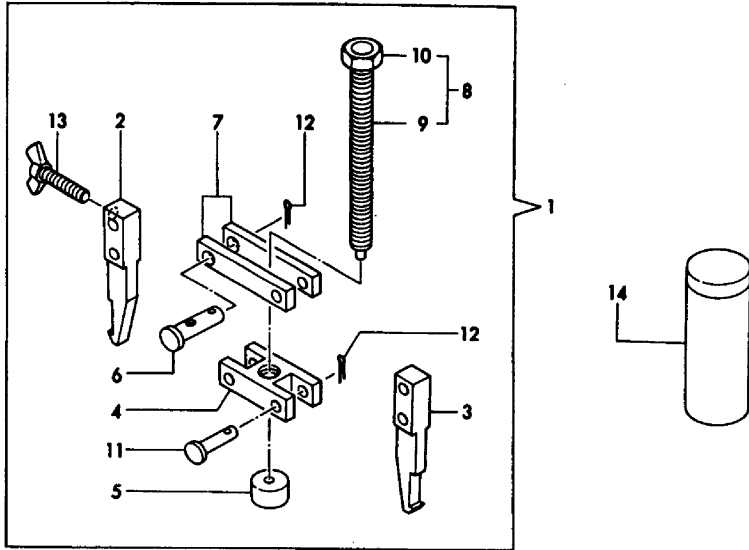
Remarks

(1)Optional parts.

Fig.10. TOOL(OPTIONAL)

Y00F5940

Fig. 10 工具 (オプション)
TOOL (OPTIONAL)



(A)=
(B)=KM3P
(C)=

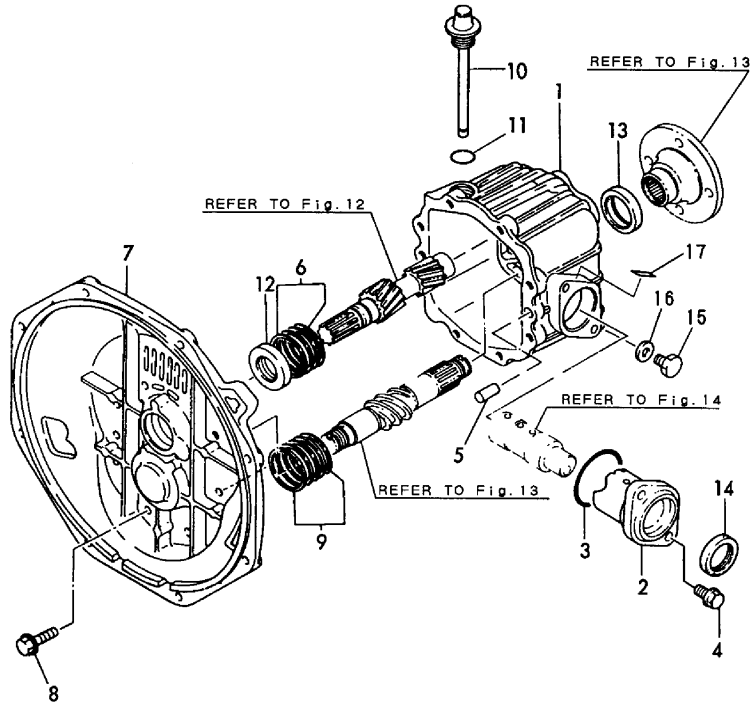
(D)=
(E)=
(F)=

No.	Lev.	Parts No.	Description	Q'ty						I	R
				(A)	(B)	(C)	(D)	(E)	(F)		
1	1	177088-09010	TOOL ASSY, REMOVER		1						
2	2	177088-09020	TOOL		1						
3	2	177088-09030	TOOL		1						
4	2	177088-09040	SUPPORT		1						
5	2	177088-09050	RETAINER		1						
6	2	177088-09060	PIN		1						
7	2	177088-09070	SUPPORT		2						
8	2	177088-09080	BOLT ASSY		1						
9	3	177088-09090	BOLT		1						
10	3	26736-100002	NUT, M10		1						
11	2	22487-060240	PIN, H 6X 24		3						
12	2	22417-160120	PIN, COTTER 1.6X12		4						
13	2	26646-040352	WING BOLT		1						
14	1	177088-09150	TOOL, DRIVE		1						

Fig.11. CLUTCH HOUSING

Y00F5940

Fig. 11 クラッチケース
CLUTCH HOUSING



(A)=
(B)=
(C)=KM2P-1

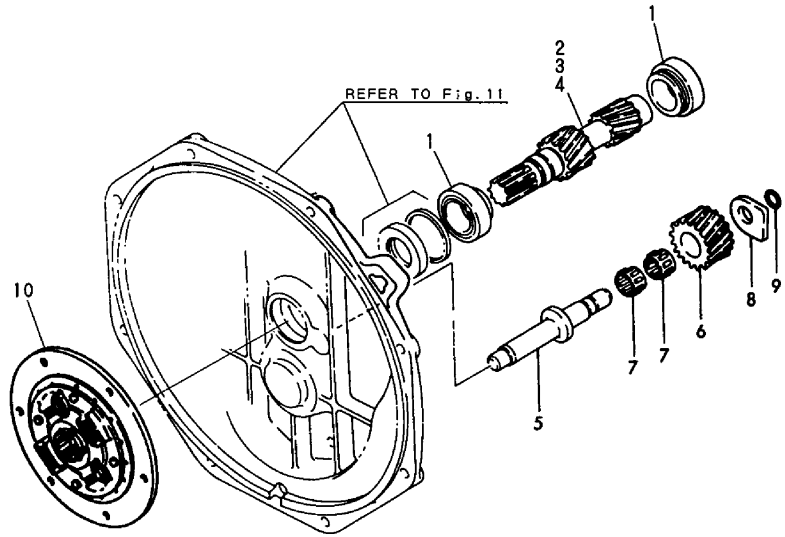
(D)=
(E)=
(F)=

No.	Lev.	Parts No.	Description	Qty						I	R	
				(A)	(B)	(C)	(D)	(E)	(F)			
1	1	177088-02012	HOUSING, CLUTCH			1						
2	1	177088-02120	COVER			1						
3	1	24321-000400	O-RING, 1AG40.0			1						
4	1	26013-080252	BOLT, M8X 25			2						
5	1	22312-100160	PIN, PARALLEL M10X16			2						
6	1	177088-02350	SHIM SET			1						
7	1	177088-02033	FLANGE			1						
8	1	26016-080252	BOLT, M8X 25			8						
9	1	177088-02300	SHIM SET			1						
10	1	177088-02451	DIPSTICK			1						
11	1	24311-000180	O-RING, 1AP18.0			1						
12	1	24411-254008	SEAL, OIL SC254008			1						
13	1	177088-02961	SEAL MHTA34 44 8,OIL			1						
14	1	24421-284008	SEAL, OIL TC284008			1						
15	1	23887-100002	PLUG, 10			1						
16	1	23414-100000	GASKET, 10X1.0			1						
17	1	177088-02430	LABEL			1						

Fig.12. INPUT SHAFT & SUPPORT SHAFT

Y00F5940

Fig. 12 インプットシャフト&サポートシャフト
INPUT SHAFT & SUPPORT SHAFT



(A)=
(B)=
(C)=KM2P-1

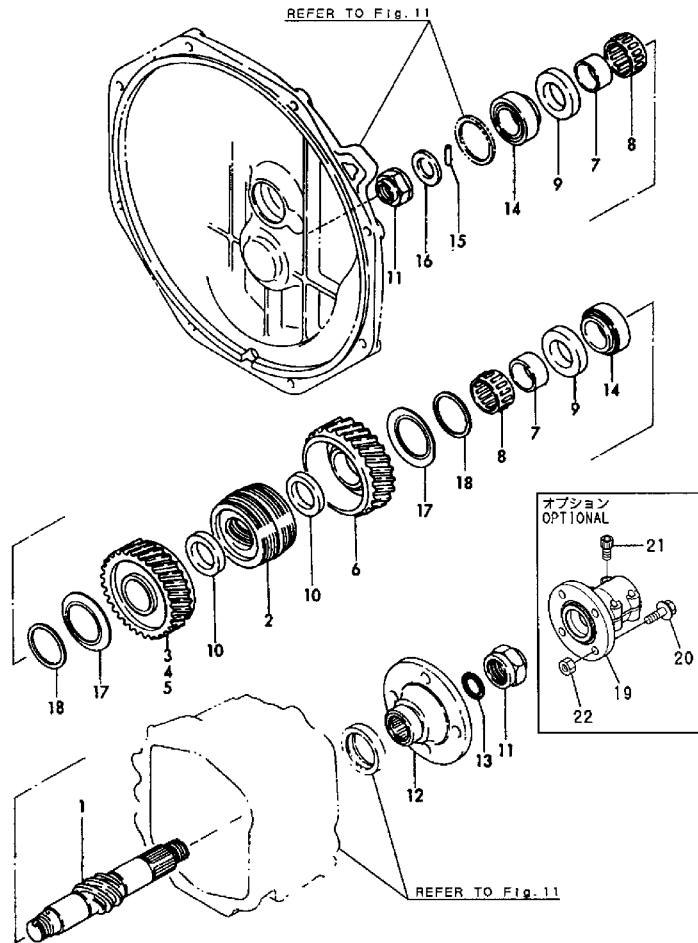
(D)=
(E)=
(F)=

No.	Lev.	Parts No.	Description	Qty						I	R
				(A)	(B)	(C)	(D)	(E)	(F)		
1	1	177088-03400	ROLLER BEARING			2					
2	1	177088-03031	SHAFT, INPUT l=2.21			1					
3	1	177088-03012	SHAFT, INPUT l=2.62			1					
4	1	177088-03021	SHAFT, INPUT l=3.22			1					
5	1	177088-03302	SHAFT, GEAR			1					
6	1	177088-03311	GEAR, IDLE Z=26			1					
7	1	177088-03331	NEEDLE BERG.#K162213			2					
8	1	177088-03341	WASHER, THRUST			1					
9	1	24341-000120	O-RING, 1AS12.0			1					
10	1	177070-03501	DISK, DAMPER D170			1					

Fig.13. OUTPUT SHAFT

Y00F5940

Fig. 13 アウトプットシャフト
OUTPUT SHAFT



(A)=
(B)=
(C)=KM2P-1

(D)=
(E)=
(F)=

No.	Lev.	Parts No.	Description	Qty						I	R
				(A)	(B)	(C)	(D)	(E)	(F)		
1	1	177088-03680	SHAFT, OUTPUT			1					
2	1	177073-03170	CONE, DRIVE			1					
3	1	177088-03970	GEAR, FORWARD Z=53			1					
3-1	1	177088-03971	GEAR, FORWARD Z=53 (C=*2002.07.)			1				F	2
4	1	177088-03690	GEAR, FORWARD Z=55			1					
4-1	1	177088-03691	GEAR, FORWARD 55 (C=*2002.07.)			1				F	2
5	1	177088-03980	GEAR, FORWARD Z=58			1					
5-1	1	177088-03981	GEAR, FORWARD Z=58 (C=*2002.07.)			1				F	2
6	1	177088-03690	GEAR, FORWARD Z=55			1					
6-1	1	177088-03691	GEAR, FORWARD 55 (C=*2002.07.)			1				F	3
7	1	24163-250170	RING, INNER 253017			2					
8	1	24161-303517	BEARING, 303517			2					
9	1	177070-03231	COLLAR, THRUST			2					
10	1	177070-03250	COLLAR, THRUST			2					
11	1	177088-03272	NUT			2					
12	1	177070-03550	COUPLING			1					
13	1	24311-000210	O-RING, 1AP21.0			1					
14	1	24141-302050	BEARING, 30205			2					
15	1	177088-03290	PIN			1					
16	1	177088-03280	COLLAR, 32D-45T			1					
17	1	177088-03540	SPRING			2					
18	1	177073-03340	RETAINER, SPRING (C=*2002.07.)			2				Z	
19	1	104214-83980	COUPLING			1					1
20	1	26206-100302	BOLT, M10X 30 PLATED			4					1
21	1	26450-080302	BOLT, M8X 30			4					1
22	1	26706-100002	NUT, M10			4					1

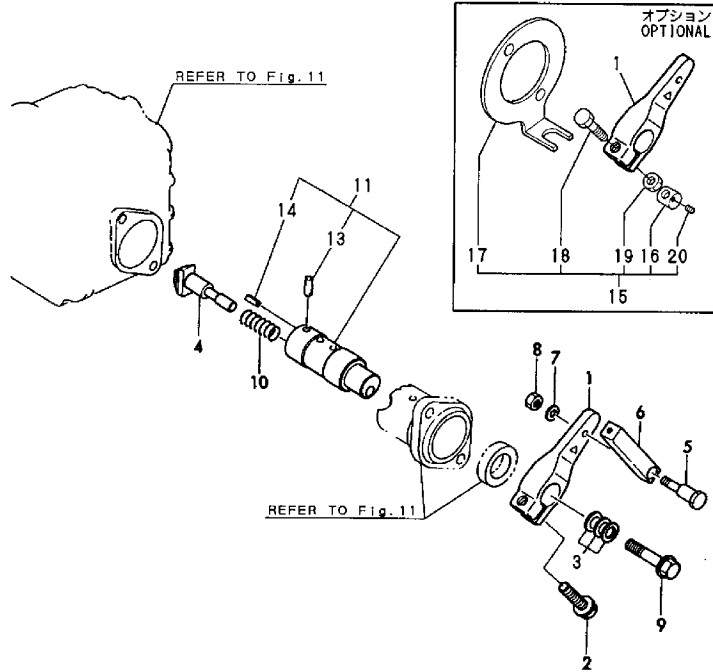
Remarks

- (1) Optional parts.
- (2) Discontinued No.18, interchangeable by simultaneous replacment with No.6-1.
- (3) Discontinued No.18, interchangeable by simultaneous replacment with No.3-1(or 4-1, 5-1).

Fig.14. CONTROL EQUIPMENT

Y00F5940

Fig. 14 操纵装置
CONTROL DEVICE



(A)=
(B)=
(C)=KM2P-1

(D)=
(E)=
(F)=

No.	Lev.	Parts No.	Description	Qty						I	R
				(A)	(B)	(C)	(D)	(E)	(F)		
1	1	177088-06400	LEVER			1					
2	1	26106-080252	BOLT, M8X 25 PLATED			1					
3	1	177088-06380	SHIM SET			1					
4	1	177088-06390	SHIFTER			1					
5	1	177088-06101	CONNECTOR			1					
6	1	177088-06410	JOINT, 10-32UNF			1					
7	1	22137-060000	WASHER, 6			1					
8	1	26716-060002	NUT, M6			1					
9	1	177088-06360	BOLT			1					
10	1	177088-06370	SPRING			1					
11	1	177088-06340	SHAFT ASSY			1					
13	2	196322-06610	PIN, PARALLEL 5X18			1					
14	2	22351-020012	PIN, SPRING 2.0X12			1					
15	1	177088-06440	STAY ASSY, SWITCH			1					1
16	2	177074-06300	CONTACT			1					1
17	2	177088-06450	STAY, SWITCH			1					1
18	2	26116-080404	BOLT, M8X 40 PLATED			1					1
19	2	26716-080002	NUT, M8			1					1
20	2	26979-040082	SCREW, M4X 8			1					1

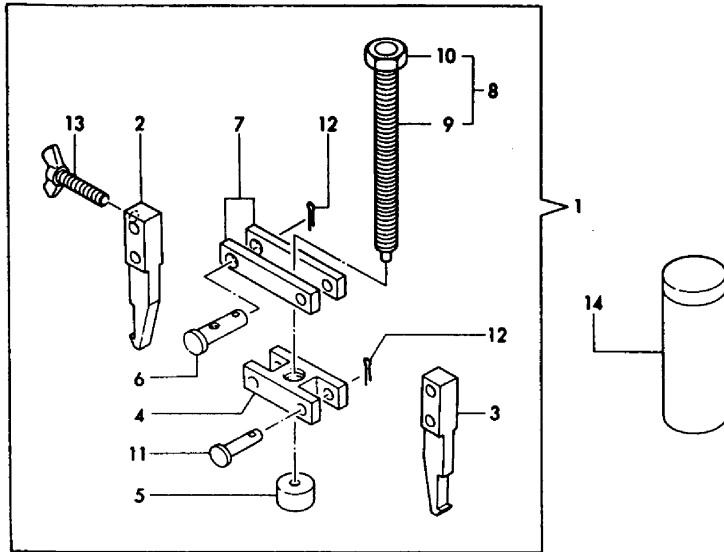
Remarks

(1)Optional parts.

Fig.15. TOOL(OPTIONAL)

Y00F5940

Fig. 15 工具 (オプション)
TOOL (OPTIONAL)



(A)=
(B)=
(C)=KM2P-1

(D)=
(E)=
(F)=

No.	Lev.	Parts No.	Description	Q'ty						I	R
				(A)	(B)	(C)	(D)	(E)	(F)		
1	1	177088-09010	TOOL ASSY, REMOVER			1					
2	2	177088-09020	TOOL			1					
3	2	177088-09030	TOOL			1					
4	2	177088-09040	SUPPORT			1					
5	2	177088-09050	RETAINER			1					
6	2	177088-09060	PIN			1					
7	2	177088-09070	SUPPORT			2					
8	2	177088-09080	BOLT ASSY			1					
9	3	177088-09090	BOLT			1					
10	3	26736-100002	NUT, M10			1					
11	2	22487-060240	PIN, H 6X 24			3					
12	2	22417-160120	PIN, COTTER 1.6X12			4					
13	2	26646-040352	WING BOLT			1					
14	1	177088-09150	TOOL, DRIVE			1					

Parts No. Index

Parts No.	Fig. No.	Ref. No.
104214-83980	3	19
	8	19
	13	19
177070-02012	6	1
177070-02031	6	7
177070-03011	7	3
177070-03021	7	4
177070-03031	7	2
177070-03041	8	1
177070-03071	8	2
177070-03112	8	4
		6
177070-03122	8	5
177070-03131	8	3
177070-03190	8	7
177070-03200	8	8
177070-03231	8	9
	13	9
177070-03250	8	10
	13	10
177070-03302	7	5
177070-03501	7	10
	12	10
177070-03550	8	12
	13	12
177070-06570	9	15
177073-03170	13	2
177073-03340	3	18
	8	18
	13	18
177074-06300	4	16
	9	16
	14	16
177088-02012	1	1
	11	1
177088-02033	1	7
	11	7
177088-02120	1	2
	6	2
	11	2
177088-02300	1	9
	6	9
	11	9
177088-02350	1	6
	6	6
	11	6
177088-02430	1	17
	6	17
	11	17
177088-02451	1	10

Parts No.	Fig. No.	Ref. No.
177088-02451	6	10
	11	10
177088-02950	1	12
	6	12
177088-02961	1	13
	6	13
	11	13
177088-03012	2	3
	12	3
177088-03021	2	4
	12	4
177088-03031	2	2
	12	2
177088-03072	3	2
177088-03092	3	1
177088-03111	3	4
		6
177088-03121	3	5
177088-03131	3	3
177088-03192	3	7
177088-03201	3	8
177088-03233	3	9
177088-03252	3	10
177088-03272	3	11
	8	11
	13	11
177088-03280	3	16
	8	16
	13	16
177088-03290	3	15
	8	15
	13	15
177088-03302	2	5
	12	5
177088-03311	2	6
	7	6
	12	6
177088-03331	2	7
	7	7
	12	7
177088-03341	2	8
	7	8
	12	8
177088-03400	2	1
	7	1
	12	1
177088-03520	3	14
177088-03540	3	17
	8	17
	13	17

Parts No.	Fig. No.	Ref. No.
177088-03552	3	12
177088-03680	13	1
177088-03690	13	4
		6
177088-03691	13	4 -1
		6 -1
177088-03970	13	3
177088-03971	13	3 -1
177088-03980	13	5
177088-03981	13	5 -1
177088-06101	4	5
	9	5
	14	5
177088-06340	4	11
	9	11
	14	11
177088-06360	4	9
	9	9
	14	9
177088-06370	4	10
	9	10
	14	10
177088-06380	4	3
	9	3
	14	3
177088-06390	4	4
	9	4
	14	4
177088-06400	4	1
	9	1
	14	1
177088-06410	4	6
	9	6
	14	6
177088-06440	4	15
	14	15
177088-06450	4	17
	9	17
	14	17
177088-09010	5	1
	10	1
	15	1
177088-09020	5	2
	10	2
	15	2
177088-09030	5	3
	10	3
	15	3
177088-09040	5	4
	10	4

Parts No.	Fig. No.	Ref. No.
177088-09040	15	4
177088-09050	5	5
	10	5
	15	5
177088-09060	5	6
	10	6
	15	6
177088-09070	5	7
	10	7
	15	7
177088-09080	5	8
	10	8
	15	8
177088-09090	5	9
	10	9
	15	9
177088-09150	5	14
	10	14
	15	14
196322-06610	4	13
	9	13
	14	13
22137-060000	4	7
	9	7
	14	7
22312-100160	1	5
	6	5
	11	5
22351-020012	4	14
	9	14
	14	14
22417-160120	5	12
	10	12
	15	12
22487-060240	5	11
	10	11
	15	11
23414-100000	1	16
	6	16
	11	16
23887-100002	1	15
	6	15
	11	15
24141-302050	8	14
	13	14
24161-303517	3	8 -1
	13	8
24161-303520	8	8 -1
24163-250170	13	7
24311-000180	1	11

Parts No. Index

Parts No.	Fig. No.	Ref. No.
24311-000180	3	13
	6	11
	11	11
24311-000210	8	13
	13	13
24321-000400	1	3
	6	3
	11	3
24341-000120	2	9
	7	9
	12	9
24411-254008	1	12 -1
	6	12 -1
	11	12
24421-284008	1	14
	6	14
	11	14
26013-080252	1	4
	6	4
	11	4
26016-080252	1	8
	6	8
	11	8
26106-080252	4	2
	9	2
	14	2
26116-080404	4	18
	9	18
	14	18
26206-100302	3	20
	8	20
	13	20
26450-080302	3	21
	8	21
	13	21
26646-040352	5	13
	10	13
	15	13
26706-100002	3	22
	8	22
	13	22
26716-060002	4	8
	9	8
	14	8
26716-080002	4	19
	14	19
26736-100002	5	10
	10	10
	15	10
26979-040082	4	20

Parts No.	Fig. No.	Ref. No.
26979-040082	9	19
	14	20

Parts No.	Fig. No.	Ref. No.
-----------	----------	----------

Parts No.	Fig. No.	Ref. No.
-----------	----------	----------